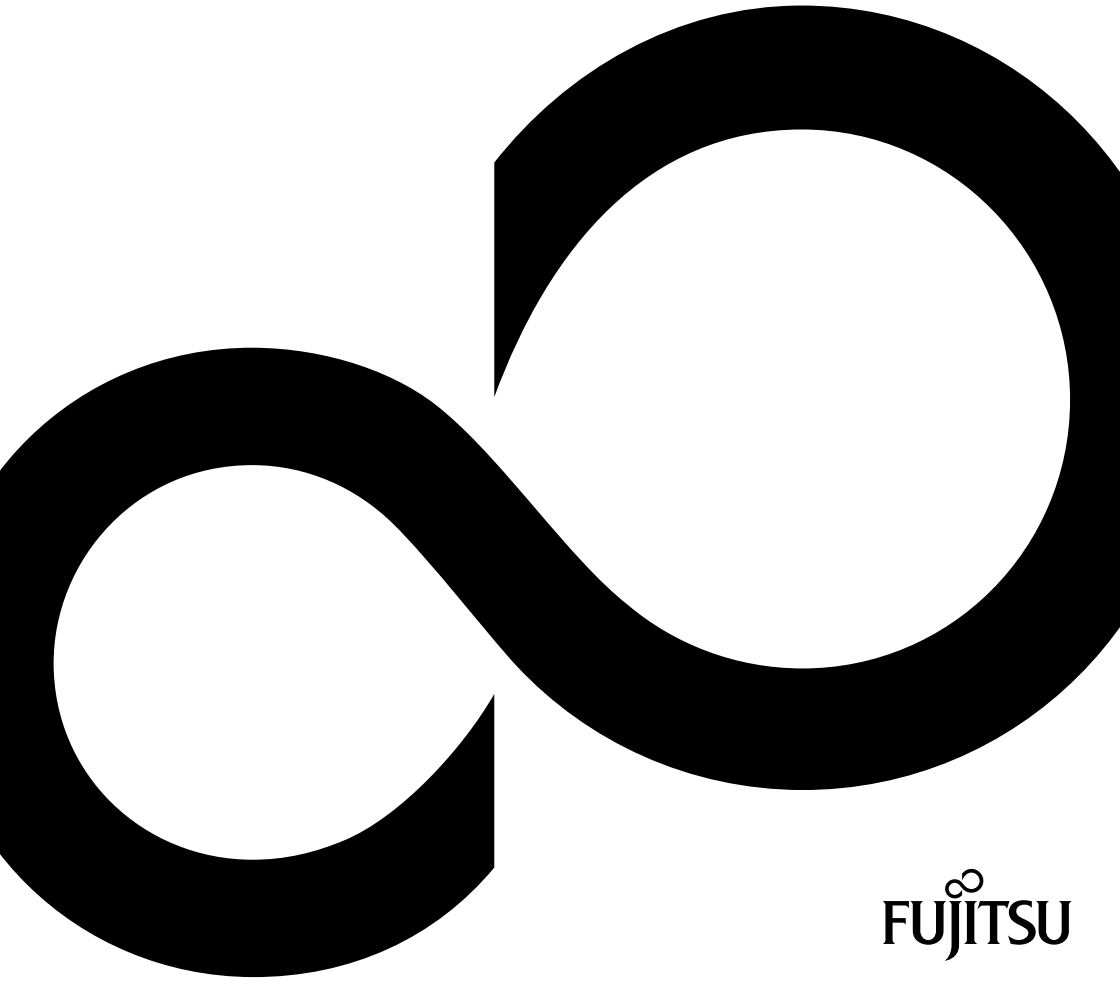


ESPRIMO P15xx / P2440 / P2540
ESPRIMO P2550 / P2560
ESPRIMO P2760 / P352x



Congratulations, you have decided to buy an innovative Fujitsu product.

The latest information about our products, useful tips, updates etc. is available from our website: ["http://ts.fujitsu.com"](http://ts.fujitsu.com)

For automatic driver updates, go to: ["http://support.ts.fujitsu.com/com/support/index.html"](http://support.ts.fujitsu.com/com/support/index.html)

Should you have any technical questions, please contact:

- our Hotline/Service Desk
(see Service Desk list or visit: ["http://ts.fujitsu.com/support/servicedesk.html"](http://ts.fujitsu.com/support/servicedesk.html))
- Your sales partner
- Your sales office

We hope you really enjoy using your new Fujitsu system.



Copyright

Fujitsu Technology Solutions 2010 03/10

Published by

Fujitsu Technology Solutions GmbH
Mies-van-der-Rohe-Straße 8
80807 Munich, Germany

Contact

<http://ts.fujitsu.com/support>

All rights reserved, including intellectual property rights. Technical data subject to modifications and delivery subject to availability. Any liability that the data and illustrations are complete, actual or correct is excluded. Designations may be trademarks and/or copyrights of the respective manufacturer, the use of which by third parties for their own purposes may infringe the rights of such owner. You will find more information at "http://ts.fujitsu.com/terms_of_use.html"

Order No. Fujitsu Technology Solutions GmbH: A26361-K1005-Z220-1-7619, edition 4

ESPRIMO P15xx / P2440 / P2540 ESPRIMO P2550 / P2560 ESPRIMO P2760 / P352x

Operating Manual

Your Esprimo P...	5
Important notes	7
Getting started	11
Operation	19
Troubleshooting and tips	25
System expansions	30
Index	46

ESPRIMO is a registered trademark of Fujitsu Technology Solutions GmbH.

Windows 7, Windows Vista and Windows XP are registered trademarks of Microsoft Corporation.

PS/2 is a registered trademark of International Business Machines, Inc.

Pentium is a registered trademark of Intel Corporation, USA.

Kensington and MicroSaver are registered trademarks of ACCO World Corporation.

All other trademarks referenced are trademarks or registered trademarks of their respective owners, whose protected rights are acknowledged.

Copyright © Fujitsu Technology Solutions GmbH 2010

All rights reserved, including rights of translation, reproduction by printing, copying or similar methods, either in part or in whole.

Noncompliance is subject to compensation for damages.

All rights reserved, including rights created by patent grant or registration of a utility model or design.

Subject to availability and technical modifications.

Contents

Your Esprimo P...	5
Notational conventions	6
Important notes	7
Safety information	7
Transporting the device	7
Cleaning the device	8
Energy saving, disposal and recycling	8
CE marking	9
FCC Class B Compliance Statement	10
Getting started	11
Unpacking and checking the delivery	11
Steps for initial setup	11
Setting up the device	12
Connecting external devices	13
Connecting the cables	13
Disconnecting the cables	13
Ports on the device	14
Connecting a monitor	15
Connecting the mouse	15
Connecting the keyboard	15
Connecting external devices to the serial interface	16
Connecting external devices to the USB ports	16
Connecting the device to the mains supply	17
Switching on for the first time: installing the software	17
Switching on monitor and device	18
Installing the software	18
Operation	19
Switch the device on	19
Switching off the device	19
Indicators on the device	20
Keyboard	21
Important keys and keyboard shortcuts	21
Settings in BIOS Setup	22
Property and data protection	23
Anti-theft protection and lead-sealing	23
BIOS setup security functions	24
Access authorisation via SmartCard	24
Troubleshooting and tips	25
Help if problems occur	25
Troubleshooting	25
Power indicator remains off after you have switched on your device	25
The device cannot be switched off with the ON/OFF switch.	26
Monitor remains blank	26
No mouse pointer displayed on the screen	28
The floppy disk cannot be read or written	28
Time and/or date is not correct	28
Error messages on the screen	29
Installing new software	29

Restoring hard disk contents 29

Tips 29

System expansions 30

Information about boards 31

Opening the casing 32

Closing the casing 33

Installing and removing a board 34

 Board installing 34

 Board removing 36

Installing and removing drives 38

 Removing and installing accessible drives 38

 Installing and removing the hard disk drive 42

Mainboard expansions 43

 Upgrading main memory 43

 Processor, replacing 43

 Replacing the lithium battery 44

Technical specification 45

Index 46

Your Esprimo P...

... is available in various configurations that differ in terms of hardware and software. You can incorporate accessible drives (for example a DVD drive) as well as other modules.

This manual tells you how to start using your device and how to operate it in daily use. This manual applies for all configuration levels. Depending on the chosen configuration level, some of the hardware components described may not be available on your PC. The illustrations shown below may differ slightly from your actual model. Please also read the notes about your operating system.

Depending on the configuration selected, the operating system is preinstalled on your hard disk (e.g. Windows 7).

Your device has a number of security features to ensure that no unauthorised persons can access your data. The security functions in the BIOS Setup also allow you to protect your data by means of passwords. In addition, systems with a SmartCard reader offer additional protection.

DeskUpdate allows you under some operating systems to easily and quickly install the latest drivers and operating system extensions with a few mouse clicks.

DeskUpdate is contained on the "Drivers & Utilities" DVD. Further information on this device is provided:






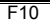
- in the poster "Getting Started"
- in the "Safety" manual
- in the "Warranty" manual
- in the operating manual for the monitor
- in the manual for the mainboard
- in your operating system documentation
- in the information files (e.g. *.PDF, *.HTML, *.DOC, *.CHM, *.TXT, *.HLP)



Some of the manuals listed can be found in electronic form on the "Drivers & Utilities" DVD.

You can access and view the required information using the *Acrobat Reader* program, which is also included on the DVD. You can of course also print out a copy of the manual if you prefer.

Notational conventions

	Pay particular attention to text marked with this symbol. Failure to observe these warnings could pose a risk to health, damage the device or lead to loss of data. The warranty will be invalidated if the device becomes defective through failure to observe these warnings.
	Indicates important information for the proper use of the device.
	Indicates an activity that must be performed
	Indicates a result
This font	indicates data entered using the keyboard in a program dialogue or at the command line, e.g. your password (Name123) or a command used to start a program (start.exe)
This font	indicates information that is displayed on the screen by a program, e.g.: Installation is complete.
<i>This font</i>	indicates <ul style="list-style-type: none"> • terms and texts used in a software interface, e.g.: Click on <i>Save</i> • names of programs or files, e.g. <i>Windows</i> or <i>setup.exe</i>.
"This font"	indicates <ul style="list-style-type: none"> • cross-references to another section, e.g. "Safety information" • cross-references to an external source, e.g. a web address: For more information, go to "http://ts.fujitsu.com" • Names of CDs, DVDs and titles or designations of other materials, e.g.: "CD/DVD Drivers & Utilities" or "Safety" Manual
	indicates a key on the keyboard, e.g: 
This font	indicates terms and texts that are emphasised or highlighted, e.g.: Do not switch off the device

Important notes

In this chapter you will find information regarding safety which it is essential to take note of when working with your device.

Safety information



Pay attention to the information provided in the "Safety" manual and in the following safety notes.

When installing and operating the device, please observe the notes on environmental conditions in Chapter ["Technical specification", Page 45](#) as well as the instructions in Chapter ["Getting started", Page 11](#).

When setting up the device, make sure there is clearance all around it so that the casing receives enough ventilation. In order to avoid overheating, do not cover the ventilation areas of the monitor or the device.

You must only operate the device if the rated voltage used by the device is set to the local mains voltage.

Check the rated voltage set for this device (see ["Getting started", Page 11](#)).

The main switch (if present) and the ON/OFF switch do not disconnect the device from the mains voltage. To completely disconnect from the mains voltage, remove the power plug from the power socket.

Replace the lithium battery on the mainboard in accordance with the instructions in ["Replacing the lithium battery", Page 44](#).

Caution, components in the system can get very hot.

The activities described in these instructions must always be performed with the greatest care.

Repairs to the device must only be carried out by qualified technicians. Incorrect repairs could put the user at great risk (electric shock, hazardous energy emissions, risk of fire) or cause serious damage to the equipment.

Transporting the device



Transport all parts separately in their original packaging or in a packaging which protects them from knocks and jolts, to the new site.

Do not unpack them until all transportation manoeuvres are completed.

If the device is brought from a cold environment into the room where it will be used, condensation may occur. Before operating the device, wait until it is absolutely dry and has reached approximately the same temperature as the installation site.

Cleaning the device



Turn off all power and equipment switches and disconnect the power plug from the mains outlet.

Do not clean any interior parts yourself, leave this job to a service technician.

Do not use any cleaning agents that contain abrasives or may corrode plastic (alcohol, thinner or acetone).

Never clean the device with water! Water entering into the device could present a serious risk to users (e.g. electric shock).

Ensure that no liquid enters the system.

The surface can be cleaned with a dry cloth. If particularly dirty, use a cloth that has been moistened in mild domestic detergent and then carefully wrung out.

Use disinfectant wipes to clean the keyboard and the mouse.

Energy saving, disposal and recycling

Further information can be found on the "Drivers & Utilities" DVD.

CE marking



The shipped version of this device complies with the requirements of EEC directives 2004/108/EC "Electromagnetic compatibility" and 2006/95/EC "Low voltage directive".



CE marking for devices with radio component

This equipment complies with the requirements of Directive 1999/5/EC of the European Parliament and Commission from 9 March, 1999 governing Radio and Telecommunications Equipment and mutual recognition of conformity.

This equipment can be used in the following countries:

Belgium	Bulgaria	Denmark	Germany
Estonia	Finland	France	Greece
UK	Ireland	Iceland	Italy
Latvia	Liechtenstein	Lithuania	Luxembourg
Malta	Netherlands	Norway	Austria
Poland	Portugal	Rumania	Sweden
Switzerland	Slovakia	Slovenia	Spain
Czech Republic	Hungary	Cyprus	

Contact the corresponding government office in the respective country for current information on possible operating restrictions. If your country is not included in the list, then please contact the corresponding supervisory authority as to whether the use of this product is permitted in your country.

FCC Class B Compliance Statement

The following statement applies to the products covered in this manual, unless otherwise specified herein. The statement for other products will appear in the accompanying documentation.

NOTE:

This equipment has been tested and found to comply with the limits for a "Class B" digital device, pursuant to Part 15 of the FCC rules and meets all requirements of the Canadian Interference-Causing Equipment Standard ICES-003 for digital apparatus. These limits are designed to provide reasonable protection against harmful interference in a residential installation. This equipment generates, uses and can radiate radio frequency energy and, if not installed and used in strict accordance with the instructions, may cause harmful interference to radio communications. However, there is no guarantee that interference will not occur in a particular installation. If this equipment does cause harmful interference to radio or television reception, which can be determined by turning the equipment off and on, the user is encouraged to try to correct the interference by one or more of the following measures:

- Reorient or relocate the receiving antenna.
- Increase the separation between equipment and the receiver.
- Connect the equipment into an outlet on a circuit different from that to which the receiver is connected.
- Consult the dealer or an experienced radio/TV technician for help.

Fujitsu Technology Solutions GmbH is not responsible for any radio or television interference caused by unauthorized modifications of this equipment or the substitution or attachment of connecting cables and equipment other than those specified by Fujitsu Technology Solutions GmbH. The correction of interferences caused by such unauthorized modification, substitution or attachment will be the responsibility of the user.

The use of shielded I/O cables is required when connecting this equipment to any and all optional peripheral or host devices. Failure to do so may violate FCC and ICES rules.

Getting started



Please observe the safety information in the ["Important notes", Page 7](#) chapter.

Unpacking and checking the delivery

It is recommended not to throw away the original packaging material! It may be required for reshipment at some later date.

- ▶ Unpack all the individual parts.
- ▶ Check the contents of the package for any visible damage caused during transport.
- ▶ Check whether the delivery conforms to the details in the delivery note.
- ▶ Should you discover that the delivery does not correspond to the delivery note, notify your local sales outlet immediately.

Steps for initial setup

Only a few steps are necessary to put your new device into operation for the first time:

- Select a location for device and set up device
- Connecting external devices
- Check the voltage at the mains outlet and connect the device to an electrical outlet
- Switch the device on

You will learn more about the individual steps in the following sections.

External devices



If you have received other external devices in addition to your own device (e.g. a printer), do not connect these until after the initial installation. The following sections describe how to connect these external devices.

Drives and boards



If you have received drives or boards with your device, please do not install them until after first-time setup. How to install drives and boards is described in the ["System expansions", Page 30](#) chapter.

Setting up the device



When setting up your device, please read the recommendations and safety notes in the "Safety" manual.

We recommend that you place your device on a surface which is not slippery. In view of the many different finishes and varnishes used on furniture, it is possible that the rubber feet will mark the surface they stand on.

Depending on the location of your device, troublesome vibrations and noises may occur. To prevent this, a distance of at least 10 mm should be maintained from other devices on casing sides without ventilation surfaces.

In order to avoid overheating, do not cover the ventilation areas of the monitor or the device.

Do not stack several devices on top of each other.

Do not expose the device to extreme ambient conditions (see ["Technical specification", Page 45](#), section "Ambient conditions"). Protect the device against dust, humidity and heat.

Operating position

Use the device only in the vertical operating position.

Connecting external devices



Read the documentation on the external device before connecting it.

With the exception of USB devices, always remove all power plugs before connecting external devices!

Do not connect or disconnect cables during a thunderstorm.

Always take hold of the actual plug. Never unplug a cable by pulling the cable itself.

Connect and disconnect the cables in the order described below.

Connecting the cables

- ▶ Turn off all power and equipment switches.
- ▶ Remove all power plugs from the grounded mains outlets.
- ▶ Connect all the cables to the device and the external devices. Please make sure that you always observe the safety notes provided in ["Important notes", Page 7](#).
- ▶ Plug all data communication cables into the appropriate sockets.
- ▶ Plug all power cables into the grounded mains outlets.



USB devices are hot-pluggable. This means you can connect and disconnect USB cables while your device is switched on.

Additional information can be found in ["Connecting external devices to the USB ports", Page 16](#) and in the documentation for the USB devices.

Disconnecting the cables

- ▶ Switch off all affected devices.
- ▶ Remove all power plugs from the grounded mains outlets.
- ▶ Unplug all data communication cables from the appropriate sockets.
- ▶ Disconnect all of the cables from the device and from the external devices.

Ports on the device



The ports available on your device depend on the selected device configuration level.

The ports are located on the front and back of the device. The ports available on your device depend on the configuration level you have selected. The standard ports are marked with the symbols shown below (or similar). Detailed information on the location of the ports is provided in the manual for the mainboard.



DVI-I monitor port, white



VGA monitor port, blue



Microphone port, pink



Audio input (Line In), light blue



Headphones, orange or light green (optional)



Audio output (Line Out), light green



USB - Universal Serial Bus, black



LAN port



PS/2 mouse port, green (optional)



Keyboard port, purple (optional)

e-Sata

e-SATA port

S/PDIF

S/PDIF port



Serial port, turquoise



Some of the peripherals require special software (e.g. drivers) (refer to the documentation for the peripheral and operating system).

Connecting a monitor

- ▶ Follow the instructions contained in the monitor manual to prepare the monitor for operation (e.g. connecting cables).
- ▶ Connect the data cable of the monitor into the monitor port of your device.



The monitor power cable may only be connected to the device monitor socket if the monitor current consumption is less than 1.5 A for 230 V or 3 A for 115 V. The values for the monitor current consumption can be found in the technical data on the monitor or in the operating manual for the monitor.

- ▶ Depending on the configuration level of your device, plug the monitor power cable into the grounded mains outlet.

Connecting the mouse

Depending on the equipment level selected, your device will be supplied with a USB mouse or a PS/2 mouse.

Connecting a USB mouse

- ▶ Connect the USB mouse to one of the USB ports on the device.

Connecting a PS/2 mouse



If you do not attach a mouse to the PS/2 mouse port, you can disable the mouse controller in the *BIOS Setup* in order to free the IRQ12 for a different application.

- ▶ Connect the PS/2 mouse to the PS/2 mouse port of the device.

Connecting the keyboard

Depending on the equipment level selected, your device will be supplied with a USB keyboard or a PS/2 keyboard.

Connecting a USB keyboard

Use the supplied keyboard cable only.

- ▶ Plug the rectangular connector of the keyboard cable into the rectangular socket on the underside or on the rear of the keyboard.
- ▶ Insert the flat rectangular USB plug of the keyboard cable into one of the device's USB ports.

Connecting a PS/2 keyboard

Use the supplied keyboard cable only.

- ▶ Plug the rectangular connector of the keyboard cable into the rectangular socket on the underside or on the rear of the keyboard.
- ▶ Plug the round plug of the keyboard cable into the keyboard port on the device.

Connecting external devices to the serial interface

External devices can be connected to the serial interface (e.g. a printer or modem).

- ▶ Connect the data cable to the external device.
- ▶ Connect the data cable to the corresponding serial interface.
- ↳ For an exact description of how to connect external devices to the corresponding port, please see the external device documentation.

Port settings



You can change the port settings (e.g. address, interrupt) in the *BIOS Setup*.

Device drivers



The devices connected to the serial interface require drivers. Your operating system already includes many drivers. If the required drive is missing, install it. The latest drivers are usually available on the Internet or will be supplied on a data carrier.

Connecting external devices to the USB ports

You can connect a wide range of external devices to the USB ports (e.g. printer, scanner, modem or keyboard).



USB devices are hot-pluggable. This means you can connect and disconnect USB cables while your device is switched on.

Additional information can be found in the documentation for the USB devices.

- ▶ Connect the data cable to the external device.
- ▶ Connect the data cable to one of the USB ports on your device.

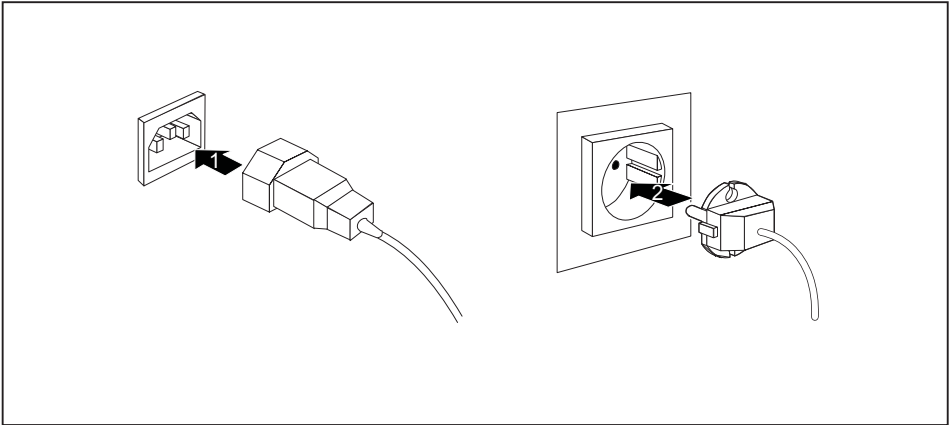
Device drivers



The external USB devices you connect to the USB ports usually require no driver of their own, as the required software is already included in the operating system. However, if the external USB device requires its own software, please install it from the data carrier provided with the USB device.

To ensure the transmission capacity of USB 2.0, the cable from the external USB device to the USB port of your device must not be longer than 3 m.

Connecting the device to the mains supply



- ▶ Connect the power cable to the device (1).
- ▶ Plug the power plug into a grounded mains outlet (2).

Switching on for the first time: installing the software



Once the installation has been started the device must not be switched off, unless the installation has been completed.

During installation, the device may only be rebooted when you are requested to do so!

The installation will otherwise not be carried out correctly and the contents of the hard disk must be completely restored.



If the device is integrated into a network, the user and server details as well as the network protocol are required during the software installation.

Contact your network administrator if you have any questions about these settings.

When you switch on the device for the first time, the supplied software is installed and configured. Plan a reasonable amount of time for this, as this process must not be interrupted.

You may need the licence number for Windows during the installation. The licence number is located on a sticker on your device.

Switching on monitor and device

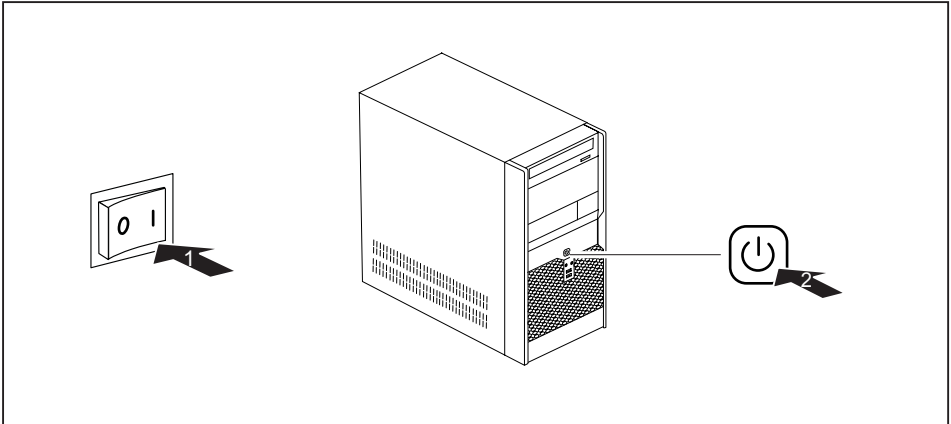


In order to avoid overheating, do not cover the ventilation areas of the monitor or the device.



Depending on the version, the device may be equipped with a main power switch on the back of the device in addition to the ON/OFF button on the front.

- ▶ Switch the monitor on (see the operating manual for the monitor).
- ▶ Switch the device on. To do this, follow the instructions below.



- ▶ Turn the main switch on the back of the device to the "I" position (1).
 - ▶ Press the ON/OFF switch on the front of the device (2).
- ↳ The power-on indicator lights green and the device is started.

Installing the software

- ▶ During installation, follow the on-screen instructions.
- ▶ If anything is unclear regarding the data you are asked to input, read the online Help in your operating system.



You will find more information on the system, as well as drivers, utilities and updates on the "Drivers & Utilities" DVD and on the Internet under ["http://ts.fujitsu.com/support/"](http://ts.fujitsu.com/support/).

Operation

Switch the device on

- ▶ If necessary, switch the monitor on (see the operating manual for the monitor).
- ▶ Switch on the device using the main power switch located on the rear of the device (if present).
- ▶ Press the ON/OFF switch on the front of the device.
- ↳ The power-on indicator lights green and the device is started.

Switching off the device

- ▶ Shut down the operating system in a defined manner. In Windows: via the *Start* menu and the *Turn Off Computer* function.
- ▶ If the operating system does not automatically switch the device into energy-saving mode or switch it off, press the ON/OFF switch. Warning, this could lead to a loss of data!
- ↳ If the device is in standby, it consumes a minimum of energy.
- ▶ Switch the device off at the main switch (if present).
- ↳ The device no longer uses any power.

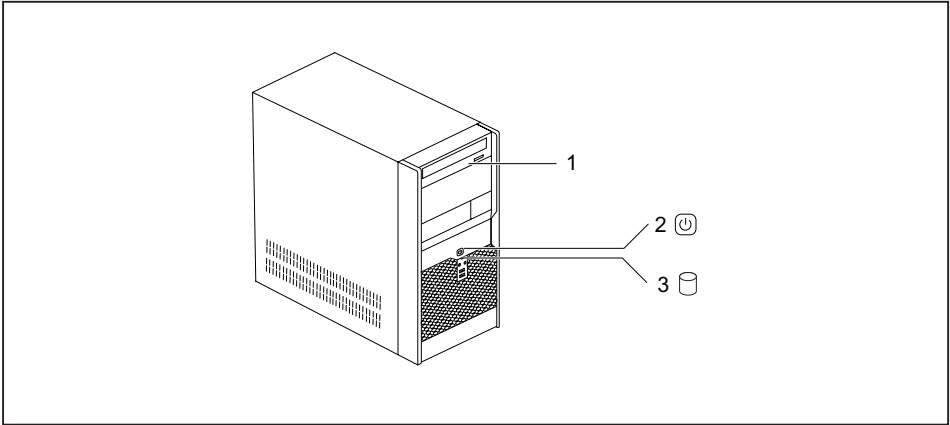


The main switch and the ON/OFF switch do not disconnect the device from the mains voltage. To completely disconnect from the mains voltage, remove the power plug from the power socket.

- ▶ If necessary, switch the monitor off (see the operating manual for the monitor).

Indicators on the device

The indicators are on the front of the casing. Which indicators are available on your device depends on the configuration level you have selected.



1 = Drive indicator, e.g. DVD
2 = Power indicator

3 = Hard disk indicator

Hard disk indicator

The indicator lights up when the device's hard disk is accessed.

Power indicator



In energy-saving mode, the device must not be switched off with the main power switch (if present) or disconnected from the mains, as this may result in data loss.

- The indicator is green: the device is on.
- Indicator lights up orange or flashes green (depending on the type of device): Device is in power-saving mode. After being switched on with the On/Off switch, the device switches on or returns to the state it was in before it went into power-saving mode.
- The indicator is not illuminated: The device is switched off (power switch set to 0 or disconnected from the mains) or ready. If the device is ready it can be switched on with the ON/OFF switch.

Floppy disk indicator (optional)

The indicator lights up when the device's floppy disk drive is accessed. You may only remove the floppy disk when the indicator is not on.

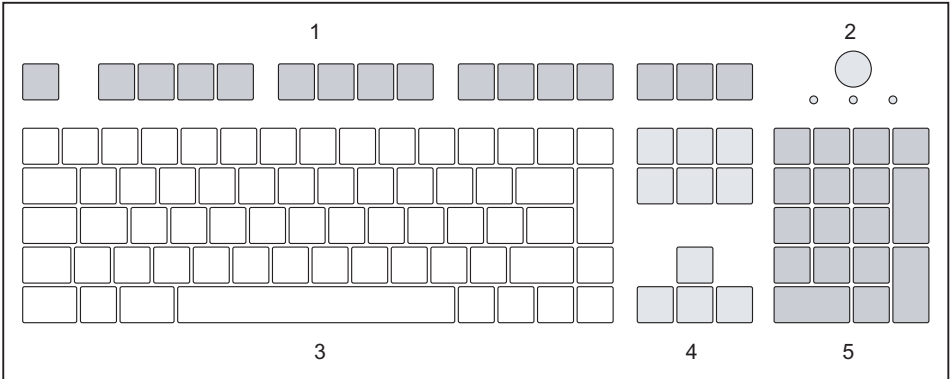
Drive indicator, e.g. DVD

The indicator lights up when the CD-ROM or DVD drive is accessed. You may only remove the DVD when the indicator is dark.

Keyboard



The illustrated keyboard is an example and may differ from the model you use.



1 = Function keys

4 = Cursor keys

2 = On/off switch (optional)

5 = Numeric keypad (calculator keypad)

3 = Alphanumeric keypad

Important keys and keyboard shortcuts

The description of the following keys and keyboard shortcuts applies to Microsoft operating systems. Details of other keys and keyboard shortcuts can be found in the documentation for the relevant application program.



On/off switch (optional)

Depending on the setting in the *BIOS Setup*, the device can be switched on or off with this switch. Some operating systems allow you to configure additional functions of the ON/OFF switch in the Control Panel.

With some keyboards the ON/OFF switch can only be used with an ACPI (Advanced Configuration and Power Management Interface). Otherwise the key is inoperative. The mainboard must support this function.

Enter key

confirms the highlighted selection. The Enter key is also referred to as the "Return" key.





Start key

calls up the Windows *Start* menu.



Menu key

calls up the menu for the marked item (Windows).



Shift key

enables upper-case letters and the upper key symbols to be displayed.



Alt Gr key

produces a character shown on the bottom right of a key (e.g. the @ sign on the [Q] key).



Num Lock key

By pressing the Num Lock key you switch between the upper- and lower-case levels of the calculator keypad.

When the Num Lock indicator is lit the numeric keypad and arithmetic keys are active.

When the Num Lock indicator is not lit the cursor control functions on the Numeric keypad are active.



Ctrl key

performs a special operation when pressed in conjunction with another key. The [Ctrl] key is also referred to as "Control" or the "Control key".



Windows security/Task-Manager

This key combination opens the Windows Security/Task Manager window.

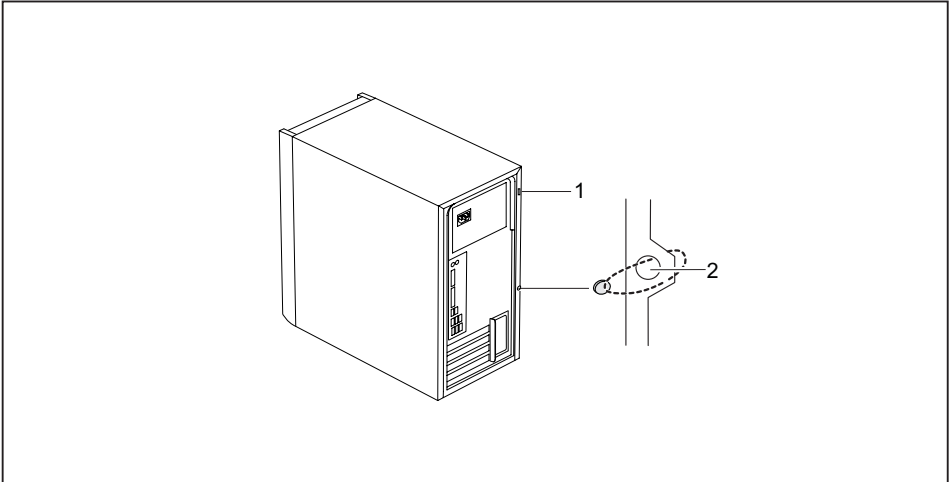
Settings in BIOS Setup

In *BIOS Setup*, you can set the system functions and the hardware configuration of the device. When the PC is delivered, the default entries are valid (see "BIOS Setup" manual or manual for the mainboard). You can customise these settings to your requirements in the *BIOS Setup*.

Property and data protection

Software functions and mechanical locking offer a broad range of functions for protecting your device and your personal data from unauthorised access. You can also combine these functions.

Anti-theft protection and lead-sealing



1 = Fixture for Kensington Lock

2 = Holes for padlock

Anti-theft protection

You can protect your device from theft

- with the fixture for the Kensington Lock (1) and a Kensington MicroSaver. Consult the manual for your Kensington Lock.
- with the holes (2) and a padlock and chain which you have connected to a fixed object beforehand.

Lead-sealing

To prevent unauthorised persons from opening the system unit, the casing can be lead-sealed. To do this, feed the sealing chain through the holes (2) and seal the chain with the lead seal.

BIOS setup security functions

The *Security* menu in *BIOS Setup* offers you various options for protecting your personal data against unauthorized access, e.g.:

- Preventing unauthorised access to *BIOS Setup*
- Preventing unauthorised system access
- Preventing unauthorised access to the settings of boards with their own BIOS
- Preventing system boot from the floppy disk drive
- Issuing virus warnings
- Preventing unauthorized writing of floppy disks
- Protecting BIOS from overwriting
- Protecting the device from being switched on by an external device

You can also combine these functions.

You will find a detailed description of the *Security* menus and how to assign passwords in the manual for the mainboard or in the "BIOS Setup" manual.

Access authorisation via SmartCard

In systems equipped with a SmartCard reader, access can be restricted to those users who have a corresponding SmartCard.

Troubleshooting and tips



Comply with the safety information in the "Safety" manual and the chapter "[Getting started](#)", [Page 11](#), when attaching or detaching cables.

If a fault occurs, try to rectify it in accordance with the measures described in the following documents:

- in this chapter
- in the documentation relating to the peripheral devices
- in the Help sections for the individual programs
- in the documentation for the operating system in use.

Help if problems occur

Should you ever have a problem with your computer that you cannot solve yourself, in many cases you can solve it quickly using the *SystemDiagnostics* program pre-installed on your computer.

- ▶ To start the *SystemDiagnostics* program, click *Start symbol - Program - Fujitsu - SystemDiagnostics*.
- ▶ If a problem is detected during the test run, the *SystemDiagnostics* program outputs a code (e.g. DIFS code YXXX123456789123).
- ▶ Take a note of this DIFS code and the ID number of your device. The ID number can be found on the type rating plate on the back of the casing.
- ▶ For further clarification of the problem, contact the Service Desk for your country (see the Service Desk list or visit the Internet at "<http://ts.fujitsu.com/support>"). When you do this, please have ready the identity number and serial number of your system and the DIFS code.

Troubleshooting

Power indicator remains off after you have switched on your device

Cause	Remedy
The mains voltage supply is faulty.	<ul style="list-style-type: none"> ▶ Check that the power cable is correctly plugged into the device and into a grounded mains outlet. ▶ Check that the main switch at the rear of the monitor is set to the "I" position. ▶ Switch the device on.
Internal power supply overloaded.	<ul style="list-style-type: none"> ▶ Pull the power plug of the device out of the mains outlet. ▶ Wait a moment. ▶ Plug the power plug into a properly grounded mains outlet again. ▶ Switch the device on.

The device cannot be switched off with the ON/OFF switch.

Cause	Remedy
The device has not been switched on with the ON/OFF switch.	▶ Press the ON/OFF switch again.
System crash	▶ Keep the on/off switch pressed for at least 4 seconds until the machine switches off. Caution: This can lead to a loss of data! This procedure does not allow the operating system to shut down in an orderly way. The next time the system is started there may well be error messages.

Monitor remains blank

Cause	Remedy
Monitor is switched off.	▶ Switch your monitor on.
Power saving has been activated (screen is blank)	▶ Press any key on the keyboard. or ▶ Deactivate the screen saver. If necessary, enter the appropriate password.
Brightness control is set to dark	▶ Adjust the brightness control. For detailed information, please refer to the operating manual supplied with your monitor.
Power cable not connected	▶ Switch off the monitor and the device. ▶ Check that the monitor power cable is properly connected to the monitor and to a grounded mains outlet or to the monitor socket of the device. ▶ Check that the device power cable is properly plugged into the device and a grounded mains outlet. ▶ Switch on the monitor and the device.
Monitor cable not connected	▶ Switch off the monitor and the device. ▶ Check that the monitor cable is properly connected to the device and monitor. ▶ Switch on the monitor and the device.

Cause	Remedy
Wrong monitor has been set under Window XP	<ul style="list-style-type: none"> ▶ Restart the device. ▶ Press [F8] while the system is booting. <p>Either the <i>Windows Advanced Start Options</i> menu or the menu for selecting the operating system appears.</p> <ul style="list-style-type: none"> ▶ If the menu for selecting the operating system appears, press [F8]. ▶ Select <i>Safe Mode</i> or <i>Safe Mode with Network</i>. ▶ Go to <i>Start – Settings – Control Panel – Display</i> and the tabs <i>Appearance</i>, <i>Themes</i>, <i>Settings</i> to set the correct values for the connected monitor as described in the operating manual of the monitor.
Incorrect setting for the monitor in Windows Vista	<ul style="list-style-type: none"> ▶ Restart the device. ▶ Press [F8] while the system is booting. <p>Either the <i>Windows Advanced Start Options</i> menu or the menu for selecting the operating system will appear.</p> <ul style="list-style-type: none"> ▶ If the menu for selecting the operating system appears, press the [F8] key. ▶ Select <i>Safe Mode</i> or <i>Safe Mode with Network</i>. ▶ Go to <i>Start symbol – (Settings) – Control Panel – Appearance and Personalization – Personalization</i> and enter the correct values for the connected monitor as described in the operating manual of the monitor.
Wrong monitor has been set under Windows 7	<ul style="list-style-type: none"> ▶ Restart the device. ▶ Press [F8] while the system is booting. <p>Either the <i>Windows Advanced Start Options</i> menu or the menu for selecting the operating system appears.</p> <ul style="list-style-type: none"> ▶ If the menu for selecting the operating system appears, press [F8]. ▶ Select <i>Safe Mode</i> or <i>Safe Mode with Network</i>. ▶ Go to <i>Start – Control Panel – Appearance and Personalization – Display</i> to enter the correct values for the connected monitor as described in the operating manual of the monitor.
The wrong RAM modules have been inserted	<ul style="list-style-type: none"> ▶ See the technical manual for the mainboard for information on which memory modules can be used.

No mouse pointer displayed on the screen

Cause	Remedy
The mouse is not correctly connected.	<ul style="list-style-type: none"> ▶ Shut down the operating system properly. ▶ Switch the device off. ▶ Check that the mouse cable is properly connected to the system unit. If you use an adapter or extension lead with the mouse cable, check the connections. ▶ Make sure that only one mouse is connected. ▶ Switch the device on.

The floppy disk cannot be read or written

Cause	Remedy
The write protection of the floppy disk or the floppy disk drive is activated.	<ul style="list-style-type: none"> ▶ Check whether the write protection of the floppy disk or the floppy disk drive is activated (refer to the "BIOS Setup" manual and if necessary to the manual for the mainboard).
The floppy disk drive controller is not enabled.	<ul style="list-style-type: none"> ▶ Check the relevant entries for floppy disk drive in the <i>Main</i> menu of the <i>BIOS Setup</i>. ▶ Check that the floppy disk drive controller is enabled (refer also to the manual for the mainboard or in the "BIOS Setup" manual).
The floppy disk drive is not connected.	<ul style="list-style-type: none"> ▶ Check that the cables of the floppy disk drive are properly connected.

Time and/or date is not correct

Cause	Remedy
Time and date are incorrect.	<ul style="list-style-type: none"> ▶ Set the correct time and date within the operating system you are using. <p style="text-align: center;">or</p> <ul style="list-style-type: none"> ▶ Set the correct time and/or date in the <i>BIOS Setup</i>.
The lithium battery is discharged.	<ul style="list-style-type: none"> ▶ If the time and date are repeatedly wrong when you switch on your device, replace the lithium battery (see "Replacing the lithium battery", Page 44).

Error messages on the screen

Error messages and their explanations are provided:

- in the technical manual for the mainboard
- in the documentation for the programs used

Installing new software

When installing programs or drivers, important files may be overwritten and modified. To be able to access the original data in the event of any problems following installation, you should backup your hard disk prior to installation.

Restoring hard disk contents

Should you need to restore your hard disk, the instructions are provided on the case of the "Recovery DVD" (delivered with your system).

Tips

Topic	Tip
Out of system resources	<ul style="list-style-type: none"> ▶ Close unnecessary applications. or ▶ Run the applications in a different order.
Other manuals	Further manuals are provided as PDF files on the "Drivers & Utilities" DVD.

System expansions



Repairs to the device must only be carried out by qualified technicians. Unauthorised opening or incorrect repair may greatly endanger the user (electric shock, fire risk) and will invalidate your warranty.

After consulting the Hotline/Service Desk, you may remove and install the components described in this manual yourself.



If you remove or install components without consulting the Hotline/Service Desk, then the warranty of your device will become void.



As the device has to be shut down in order to install/deinstall system hardware components, it is a good idea to print out the relevant sections of this chapter beforehand.

The following illustrations may differ slightly from your device, depending on its configuration level.

If further documentation was delivered with your device, please also read this through carefully.

In addition, before removing or installing system components, please pay attention to the following:



The device must be switched off when installing/removing the system expansions and may not be in energy-saving mode.

Remove the power plug before opening the device.

Be careful that no wires become trapped when removing or installing components.

When installing components that become very hot, make sure that the maximum permissible temperature is not exceeded.



An update of the BIOS may be required for a system expansion or hardware upgrade. Further information can be found in the BIOS help section or if necessary in the Technical Manual for the mainboard.

Information about boards

Take care with the locking mechanisms (catches and centring pins) when you are replacing boards or components on boards.



Note that some components on the mainboard may be very hot if the device was in use shortly before the casing was removed.

These components can be marked with the adjacent symbol.

To prevent damage to the board or the components and conductors on it, please take care when you insert or remove boards. Make sure expansion boards are inserted straightly.

Never use sharp objects (screwdrivers) for leverage.



Boards with electrostatic sensitive devices (ESD) are identifiable by the label shown.

When handling boards fitted with ESDs, you must always observe the following points:

- You must always discharge static build up (e.g. by touching a grounded object) before working.
- The equipment and tools you use must be free of static charges.
- Only touch or hold the boards by the edge or, if present, at the areas marked green (Touch Points).
- Never touch pins or conductors on boards fitted with ESDs.

Opening the casing

- ▶ Switch the device off. The device must not be in power-saving mode.

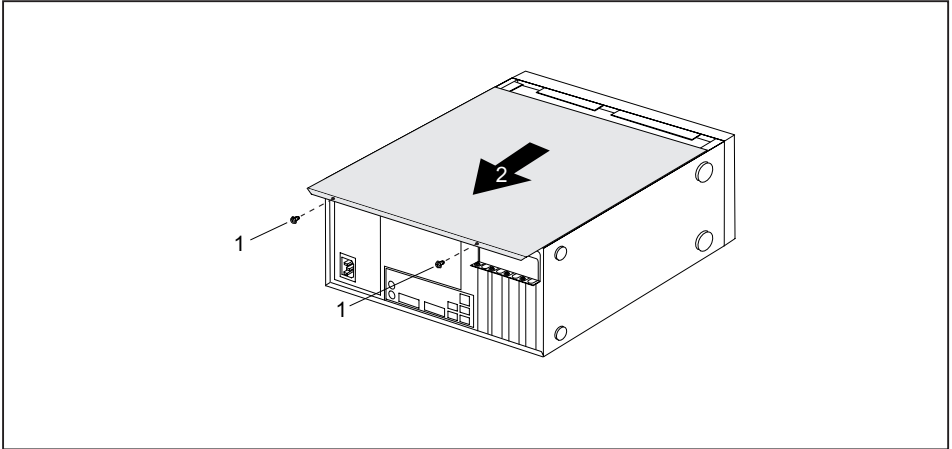


Please observe the safety information in ["Important notes", Page 7.](#)

Disconnect the mains plug from the mains outlet.

Only insert the power plug after you have closed the casing.

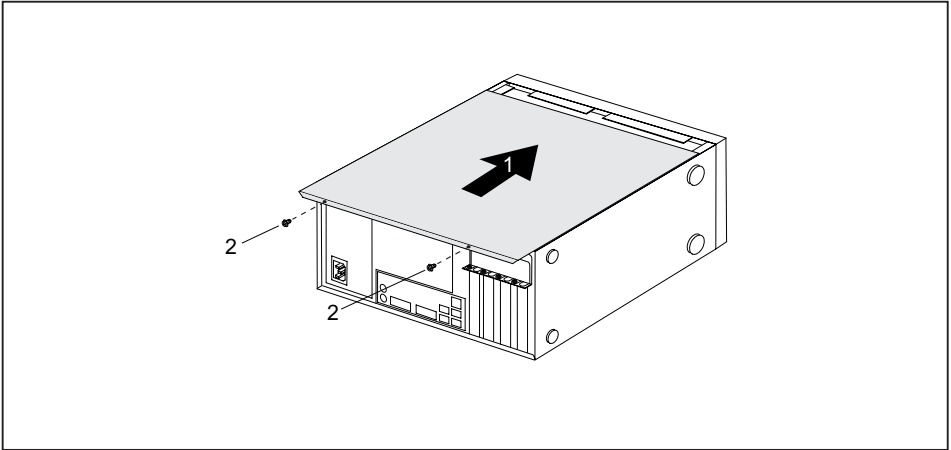
- ▶ Remove any connected wires which are in the way.
- ▶ Lay the device on its side in the manner shown below.



- ▶ Remove the casing screws (1).
- ▶ Slide the side cover from the casing in the direction of the arrow (2).

Closing the casing

- ▶ Insert the side part in the guide rail on the lower part of the casing.



- ▶ Slide the side cover onto the casing in the direction of the arrow (1).
- ▶ Tighten the casing screws (2).
- ▶ Reconnect the cables that you disconnected before.

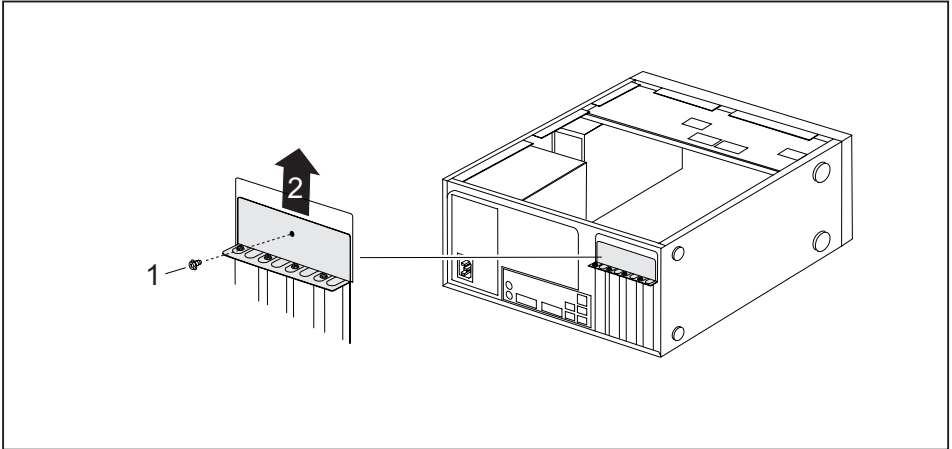
Installing and removing a board

You can install additional modules in order to increase the performance of your machine.

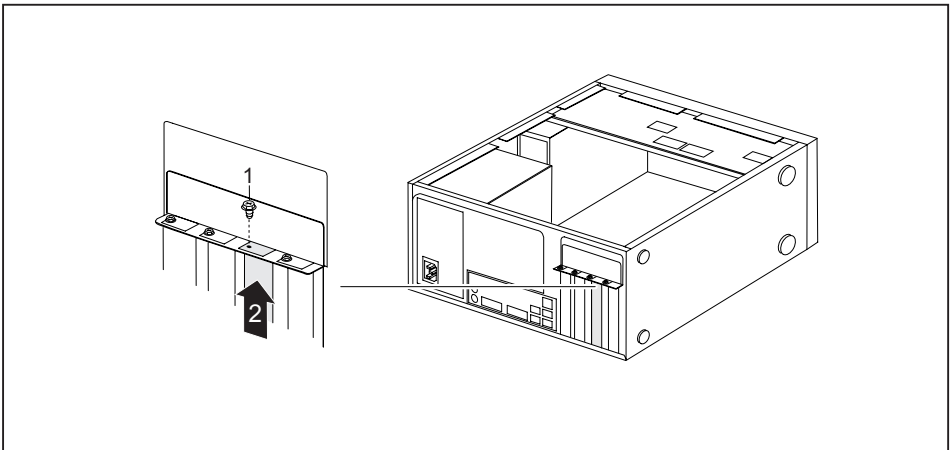
The number, position and arrangement of the board slots on the mainboard can be found in the manual for the mainboard. Boards may already be installed on shipment.

Board installing

- ▶ Open the casing (see ["Opening the casing", Page 32](#)).



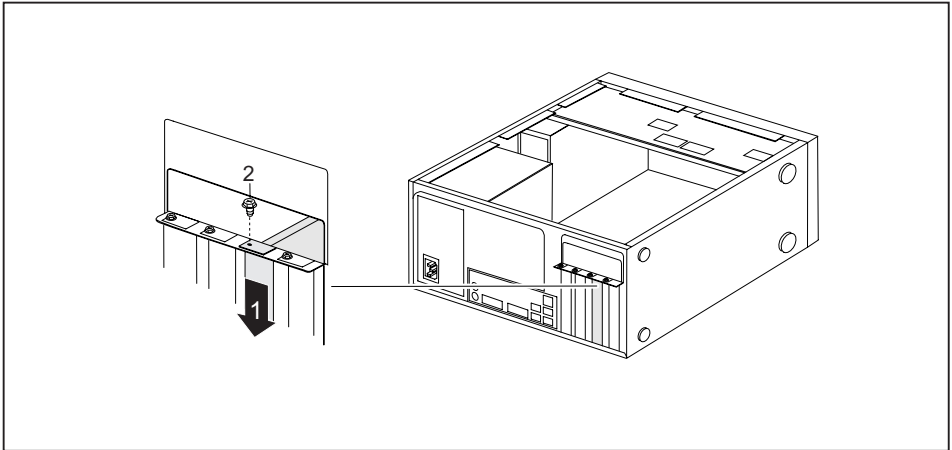
- ▶ Remove the screw (1) from the cover plate (1).
- ▶ Remove the cover plate from the casing in the direction of the arrow (2).



- ▶ Remove the screw on the slot cover (1).
- ▶ Pull the slot cover out of the slot in the direction of the arrow (2).



Do not throw away the slot cover. For cooling, protection against fire and in order to comply with EMC regulations, you must refit the slot cover if you remove the board.



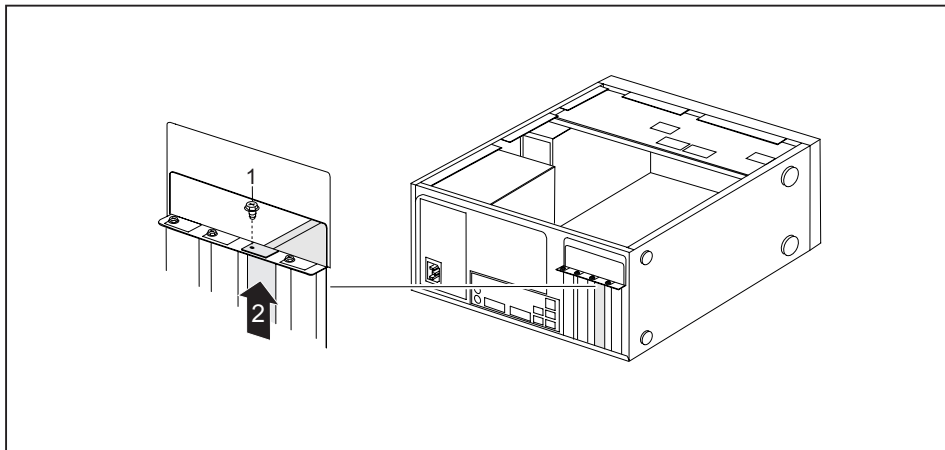
- ▶ Push the board into the slot (1).
- ▶ Tighten the screw on the slot cover (2).
- ▶ Secure the cover plate on the casing again.
- ▶ If necessary, connect the cables to the board.
- ▶ Close the casing (see ["Closing the casing", Page 33](#)).



If you have installed or removed a board, please check the relevant PCI slot settings in the *BIOS Setup*. If necessary, change the settings. Further information is provided in the PCI board documentation.

Board removing

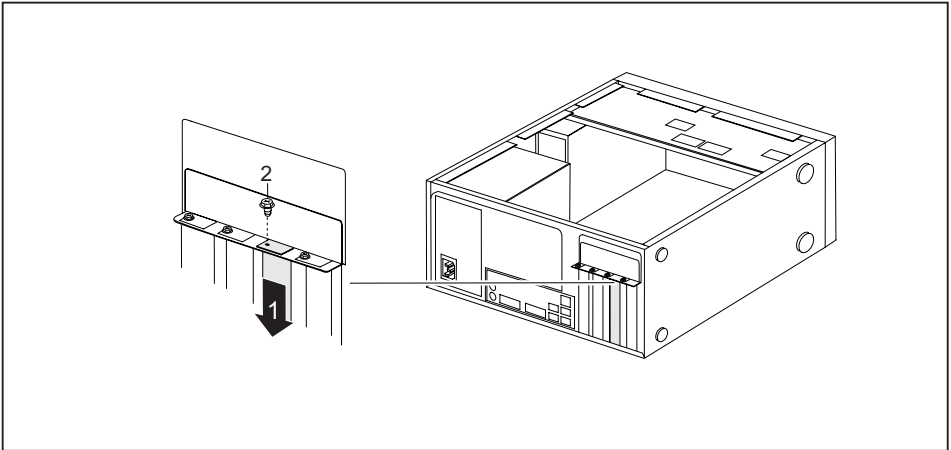
- ▶ Open the casing (see ["Opening the casing", Page 32](#)).
- ▶ Remove the cover plate (see ["Board installing", Page 34](#)).
- ▶ Disconnect the cables connected to the board.



- ▶ Remove the screw on the board (1).
- ▶ Pull the board out of the slot in the direction of the arrow (2).
- ▶ Place the board in suitable packaging.



For cooling, protection against fire, and in order to comply with EMC (electromagnetic compatibility) regulations, you must refit the slot cover.



- ▶ Slide the slot cover into the slot (1).
- ▶ Secure the slot cover in position with the screw (2).
- ▶ Secure the cover plate on the casing again.
- ▶ Close the casing (see ["Closing the casing", Page 33](#)).



If you have installed or removed a PCI board, please check the relevant PCI slot settings in the *BIOS Setup*. If necessary, change the settings. Further information is provided in the PCI board documentation.

Installing and removing drives

The PC casing can accommodate a total of five drives:

- three accessible drives (two 5¼-inch drives and one 3½-inch drive)
- two non-accessible hard disk drives (two 3½-inch drives with half installation height)

"Accessible drives" are e.g. DVD or CD ROM drives, into which a data carrier can be inserted from outside.

An accessible 3½ inch drive is for example a diskette drive or a multiscard reader. These drives can be used to read data storage media.

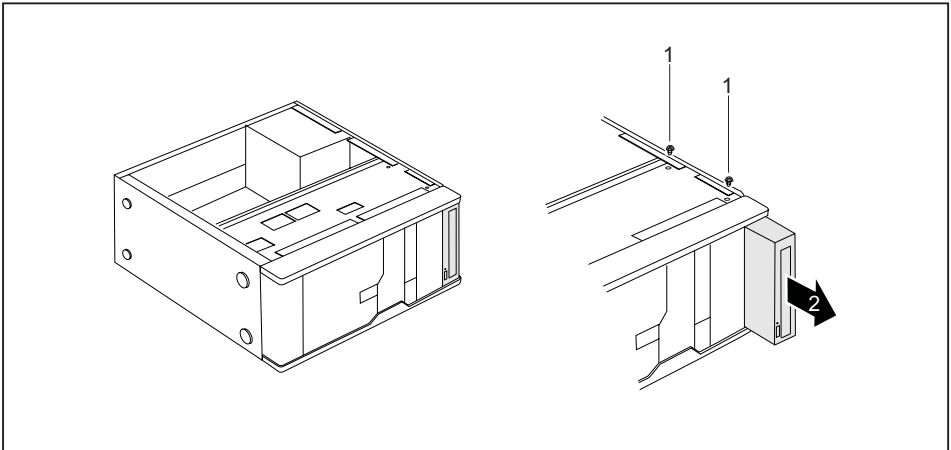
Removing and installing accessible drives



The number of screws used to attach the drives varies according to the type of drive fitted and may not necessarily match the depiction below.

Removing an accessible 5¼ inch drive (e.g. DVD drive)

- ▶ Open the casing (see ["Opening the casing", Page 32](#)).
- ▶ Disconnect all cables connected to the drive (data cable, power supply cable).



- ▶ Loosen the screws (1).
- ▶ Working from behind, slide the drive a short distance out of the bay in the direction of the arrow (2).
- ↳ The drive now protrudes slightly out of the casing.
- ▶ Pull the drive out of the casing (2).
- ▶ If necessary, make the required settings on the remaining hard disk drive.

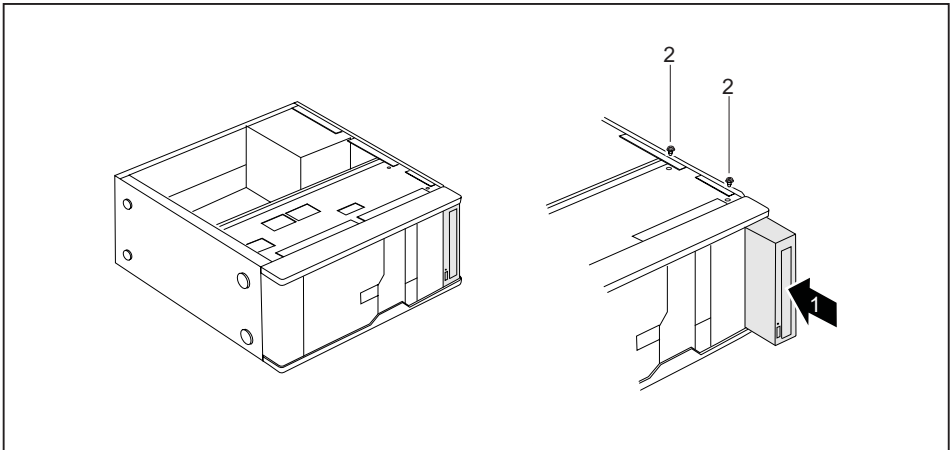
Installing an accessible 5¼ inch drive (e.g. DVD drive)

- ▶ Open the casing (see ["Opening the casing", Page 32](#)).
- ▶ If a slide-in module is fitted, remove this first. To do this, proceed in the same way as when removing a drive (see ["Removing an accessible 5¼ inch drive \(e.g. DVD drive\)", Page 38](#)).



Do not dispose of the empty slide-in module. For cooling, protection against fire, and in order to comply with EMC regulations, you must refit the empty slide-in module if you remove the drive again later.

- ▶ Take the new drive out of its packaging.
- ▶ Make the desired settings on the new drive (if necessary, to the settings of drives already installed as well (Master/Slave)).



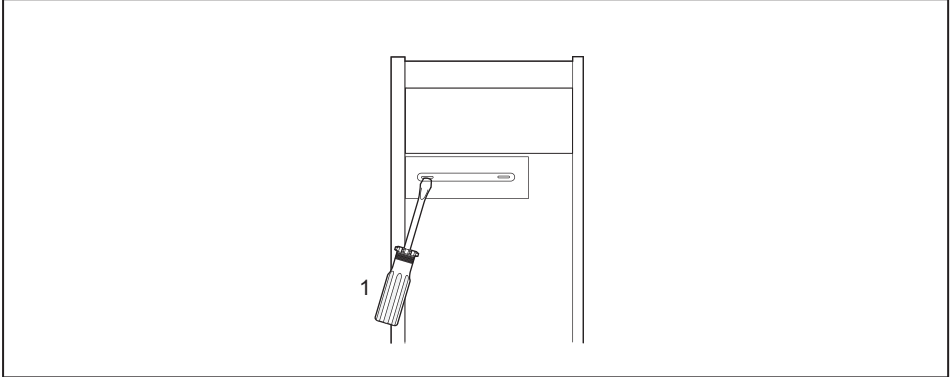
- ▶ Slide the drive into the casing (1). Make sure that the screw holes are aligned.
- ▶ Fasten the drive in place with the screws (2).
- ▶ Plug the data and the power supply connectors into the drive. Make sure the polarity is correct.
- ▶ Close the casing (see ["Closing the casing", Page 33](#)).



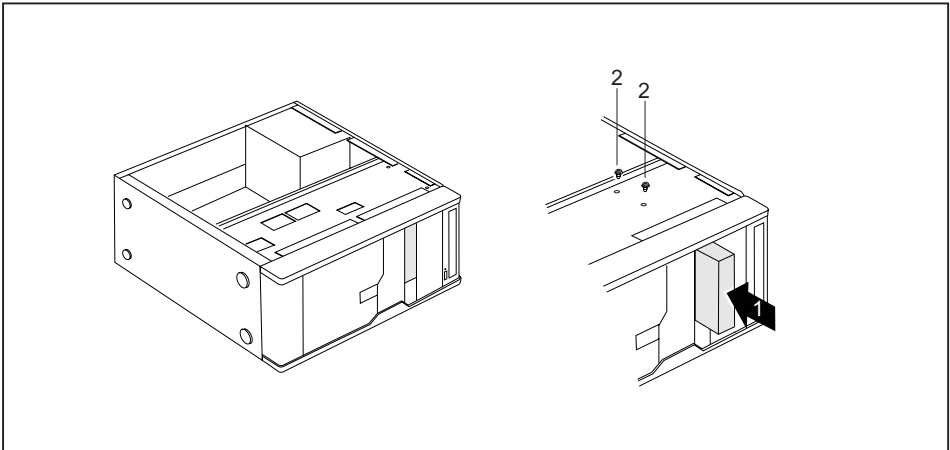
It may be necessary to modify the entry for the drive in the *BIOS Setup*.

Install an accessible 3 1/2 inch drive (e.g. diskette drive)

- ▶ Open the casing (see ["Opening the casing", Page 32](#)).
- ▶ Remove the accessible 5 1/4 inch drive (see ["Removing an accessible 5 1/4 inch drive \(e.g. DVD drive\)", Page 38](#)).
- ▶ Remove the front panel from the casing.
- ▶ From the inside, press the plastic drive cover out of the front panel.



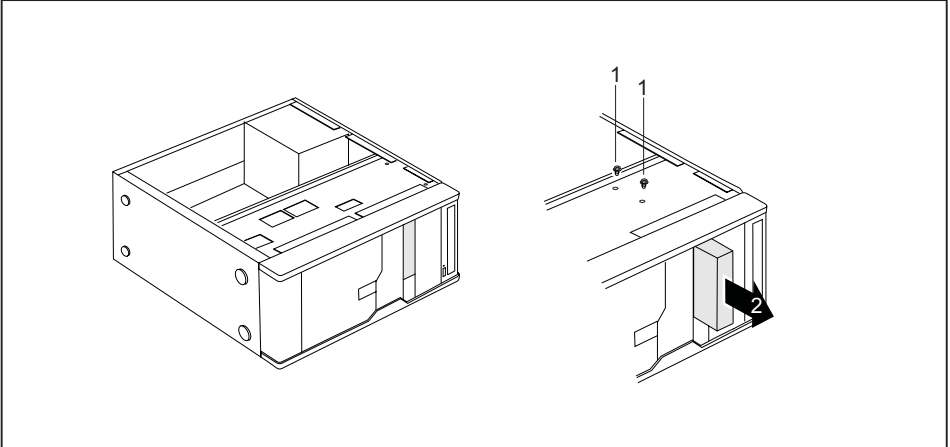
- ▶ Break out the pre-stamped metal cover on the drive bay opening with a screwdriver (1).
- ▶ Secure the front panel on the casing again.



- ▶ Slide the drive into the casing (1). Make sure that the screw holes are aligned.
- ▶ Fasten the drive into place with the screws (2).
- ▶ Plug the data and the power supply connectors into the drive. Make sure the polarity is correct.
- ▶ Close the casing (see ["Closing the casing", Page 33](#)).

Remove an accessible 3¹/₂ inch drive (e.g. diskette drive)

- ▶ Open the casing (see ["Opening the casing", Page 32](#)).
- ▶ Disconnect all cables connected to the drive (data cable, power supply cable).

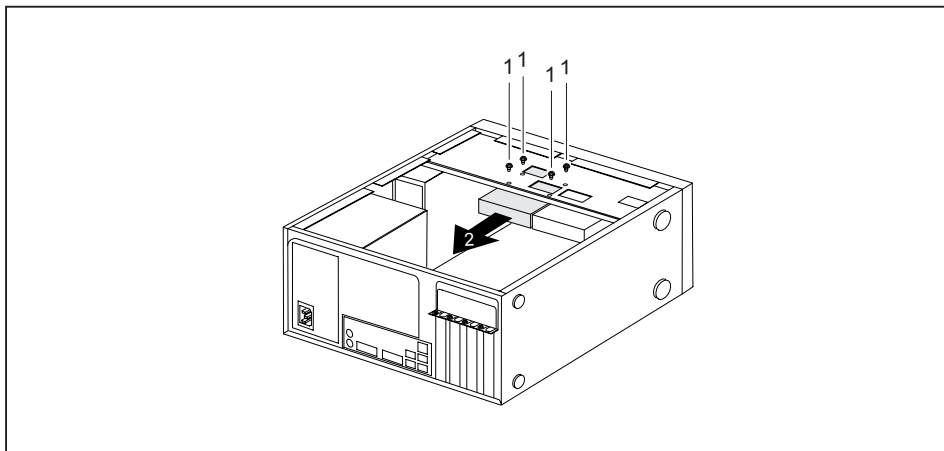


- ▶ Remove the screws (1).
- ▶ Slide the drive out of the bay from behind, in the direction of the arrow (2).
- ▶ Close the casing (see ["Closing the casing", Page 33](#)).

Installing and removing the hard disk drive

Removing a hard disk drive

- ▶ Open the casing (see ["Opening the casing", Page 32](#)).
- ▶ Remove all connected cables (data cable, power supply) from the drive.



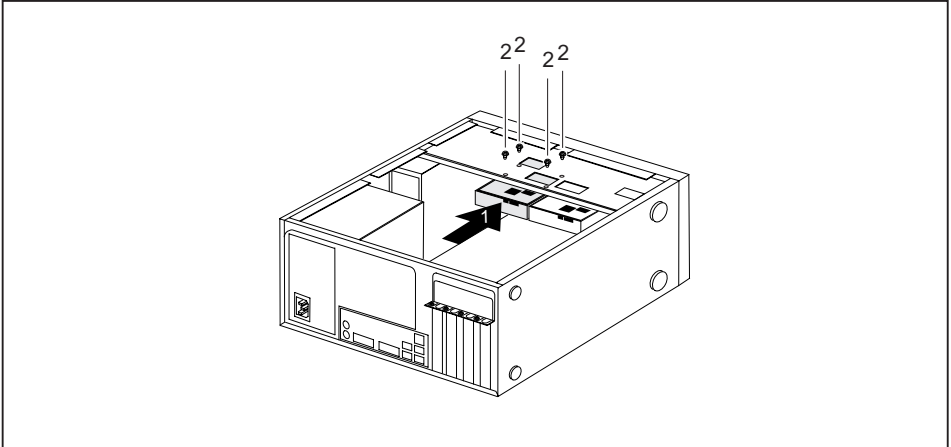
- ▶ Undo the screws (1) and gently press against the hard disk drive from underneath.
- ▶ Pull the drive backwards a short way out of the bay in the direction of the arrow (2).
↳ The drive now protrudes slightly out of the bay.
- ▶ Pull the drive completely out of its bay. Make sure that you are not touching other components.
- ▶ If necessary, make the required settings on the remaining hard disk drive.
- ▶ Close the casing (see ["Closing the casing", Page 33](#)).



It may be necessary to modify the entry for the remaining drives in the *BIOS Setup*. You will need a SATA cable to install a second hard disk on the listed device variants. An additional power supply cable is necessary for the ESPRIMO P2440, ESPRIMO P2540 and ESPRIMO P2550 device variants.

Installing a hard disk drive

- ▶ Open the casing (see ["Opening the casing", Page 32](#)).
- ▶ Take the new hard disk drive out of its packaging.



- ▶ Slide the hard disk drive into the casing (1). Make sure that the screw holes are aligned.
- ▶ Press gently against the hard disk drive from below and secure it with the screws (2).
- ▶ Connect the cables (data cable, power supply) to the drive.
Check that the polarity is correct and do not use any force.
- ▶ Close the casing (see ["Closing the casing", Page 33](#)).

Mainboard expansions

Details on how to upgrade the main memory or the processor of your device can be found in the manual for the mainboard.

Upgrading main memory

- ▶ Open the casing (see ["Opening the casing", Page 32](#)).
- ▶ Upgrade the memory according to the description in the manual for the mainboard.
- ▶ Close the casing (see ["Closing the casing", Page 33](#)).

Processor, replacing

- ▶ Open the casing (see ["Opening the casing", Page 32](#)).
- ▶ Upgrade the processor according to the description in the manual for the mainboard.
- ▶ Close the casing (see ["Closing the casing", Page 33](#)).

Replacing the lithium battery

In order to permanently save the system information, a lithium battery is installed to provide the CMOS-memory with a current. A corresponding error message notifies the user when the charge is too low or the battery is empty. The lithium battery must then be replaced.



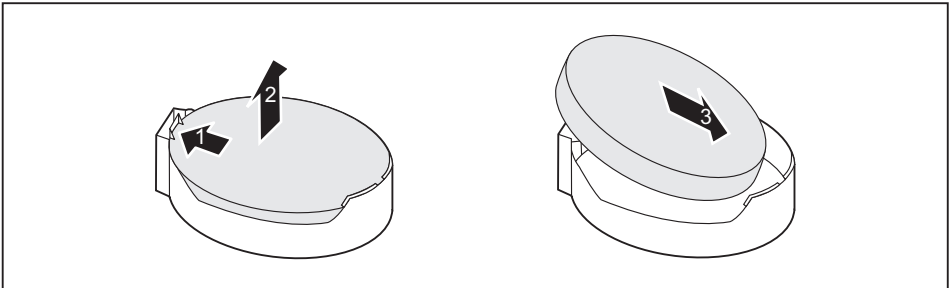
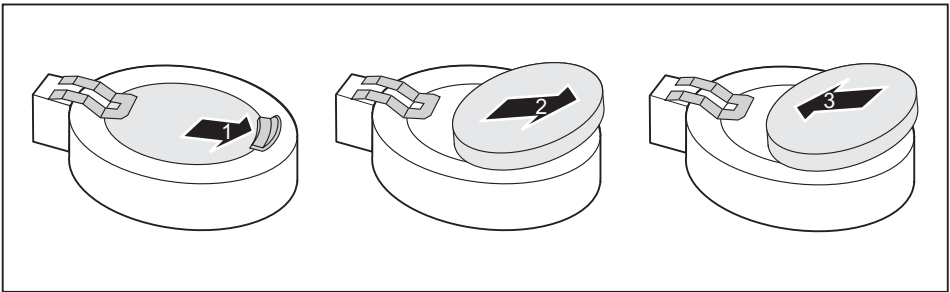
Incorrect replacement of the lithium battery may lead to a risk of explosion!

The lithium battery may be replaced only with an identical battery or with a type recommended by the manufacturer.

Do not dispose of lithium batteries with household waste. They must be disposed of in accordance with local regulations concerning special waste.

Make sure that you observe the correct polarity when replacing the lithium battery. The plus pole must be face up!

The lithium battery holder exists in different designs that function in the same way.



- ▶ Press the catch in the direction of the arrow (1).
- ↳ The battery jumps out of the holder slightly.
- ▶ Remove the battery (2).
- ▶ Push the new lithium battery of the identical type into the holder (3) and press it down until it engages.

Technical specification

Electrical data	ESPRIMO P15XX	ESPRIMO P2440 ESPRIMO P2540 ESPRIMO P2550 ESPRIMO P2560 ESPRIMO P2760	ESPRIMO P352x
Safety standards complied with:	IEC 60950-1, EN 60950-1, UL 60950CSA 22.2 No.60950-1		
Protection class:	I		
Rated voltage range			
Rated voltage range	200 V – 240 V		100 V – 240 V
Rated frequency			
Rated frequency	50 Hz – 60 Hz	50 Hz	50 Hz – 60 Hz
Rated current			
Max. rated current	200 V – 240 V / 2.0 A	200 V – 240 V / 3.0 A	100 V – 240 V / 3.0 A - 5.0 A
Dimensions			
Width/depth/height:	176 mm/420 mm/351 mm		
Weight			
in basic configuration:	approx. 8 kg		
Environmental conditions			
Environment class (3K2)	DIN IEC 721 part 3-3		
Environment class (2K2)	DIN IEC 721 part 3-2		
Temperature			
Operating (3K2)	15 °C 35 °C		
Transportation (2K2)	–25 °C 60 °C		
Condensation is not permitted during operation			
Clearance required to ensure adequate ventilation:			
without air vents	min. 10 mm		
with air vents	min. 200 mm		



The data sheets for these devices contain further technical data. The data sheets can be found on our website at "<http://ts.fujitsu.com>".

Index

- 3 1/2-inch drive 34
- 5 1/4-inch drive 34

A

- Access permission, SmartCard 20
- Accessible drive,
 - installing 35
 - removing 34
- Alphanumeric keypad 17
- Anti-theft protection 19
- Audio input 10
- Audio output 10

B

- Battery 40
- BIOS Setup 18
- BIOS Setup,
 - configuration 18
 - security functions 20
 - settings 18
 - system settings 18
- Board,
 - installing 30
 - removing 30, 32
- Button,
 - ON/OFF switch 17

C

- Cable,
 - connecting 9
 - disconnecting 9
- Casing,
 - closing 29
 - Lead-sealing 19
 - opening 28
- CD-ROM drive,
 - indicator 16
- CD-ROM indicator 16
- CE marking 5
- Chain 19
- Components
 - installing/removing 26
- Connecting a PS/2 keyboard 11
- Connecting,
 - keyboard 11
 - mouse 11
 - PS/2 keyboard 11
 - PS/2 mouse 11
 - USB keyboard 11

- Contents of delivery 7
- Cord
 - see Cable 9
- Ctrl+Alt+Del 18
- Cursor keys 17

D

- Data protection 19
- Device
 - Ports 10
 - setting up 8
- Device drivers,
 - serial interface 12
- Device,
 - Anti-theft protection 19
 - closing 29
 - indicators 16
 - Lead-sealing 19
 - opening 28
 - switching off 15
 - switching on 15
 - transporting 3–4
 - upgrades 26
- Devices,
 - connecting 12
- Diskette drive,
 - removing 36
 - replacing 36
- Disposal 4
- Drive 34
- Drive,
 - accessible 34
 - installing 34–35
 - non-accessible drive 34
 - removing 34
- Drivers & Utilities DVD 4
- DVD indicator 16
- DVD indicator,
 - indicator 16

E

- Electromagnetic compatibility 5
- Energy saving 4
- Ergonomic
 - Workstation 8
- External devices
 - Ports 10
- External devices,
 - connecting 12

- F**
 Floppy disk drive,
 indicator 16
 Function keys 17
- G**
 Getting started 7
- H**
 Hard disk drive,
 installing 38–39
 removing 38
 replacing 38
 Headphones 10
- I**
 Important notes 3
 Indicators,
 device 16
 Installing,
 software 13–14
 switching on for the first time 13
 Interfaces 10
- K**
 Kensington Lock 19
 Keyboard 17
 Keyboard port 10
 keyboard shortcuts 18
 Keyboard shortcuts 17
 Keyboard,
 alphanumeric keypad 17
 connecting 11
 cursor keys 17
 function keys 17
 numeric keypad 17
 port 11
 Keys 17
 Keys,
 Alt Gr 18
 Control 18
 Ctrl 18
 Ctrl key 18
 Ctrl+Alt+Del 18
 cursor keys 17
 Enter 17
 Enter key 17
 menu key 18
 Num Lock 18
 Return 17
 shift 18
 shift key 18
 Start key 18
- L**
 LAN port 10
 Lead-sealing 19
 Line in 10
 Line out 10
 Lithium battery 39
 Lithium battery,
 replacing 40
 Low voltage directive 5
- M**
 Main memory 39
 Main memory,
 upgrading 39
 Mainboard
 Upgrades 39
 Mains adapter
 connecting 13
 Microphone port 10
 Monitor
 connecting 11
 Monitor port 10
 Monitor,
 switching off 15
 switching on 15
 Mouse port 10
 Mouse,
 connecting 11
- N**
 Note
 safety 3
 Notes
 CE marking 5
 important 3
 Numeric keypad 17
- O**
 ON/OFF switch 17
 Overview
 device 1
- P**
 Packaging 7
 Packaging,
 unpacking 7
 Power indicator 16

- Power indicator,
 - flashes 16
 - green 16
 - off 16
 - orange 16
- Preparing for first use, overview 7
- Preparing for use,
 - overview 7
- Processor 39
- Processor, replacing 39
- Property protection 19
- PS/2 mouse port 10
- PS/2 mouse,
 - connecting 11
 - port 11

R

- Recycling 4
- Replacing,
 - lithium battery 40
- Replacing, lithium battery 40
- Retransportation 3–4

S

- Safety information 3
- Security functions,
 - BIOS Setup 20
 - SmartCard 20
- Security measures 19
- Serial interface 12
- Serial interface,
 - connecting devices 12
 - settings 12

- Serial port 10
- Servicing 26
- Setup,
 - see BIOS Setup 18
- Software,
 - installing 13–14
- System expansion 26
- System settings,
 - BIOS Setup 18
- System unit, see Device 4

T

- Transportation 3–4

U

- Universal Serial Bus 10
- Upgrades
 - Mainboard 39
- Upgrades,
 - device 26
- USB devices,
 - connecting 12
- USB port 11
- USB port,
 - connecting devices 12
 - connecting keyboard 11
 - connecting the mouse 11
- User Documentation DVD 4

W

- Workstation 8