

# Dell™ PowerEdge™ T100 Systems Hardware Owner's Manual

# Notes, Notices, and Cautions



**NOTE:** A NOTE indicates important information that helps you make better use of your computer.



**NOTICE:** A NOTICE indicates either potential damage to hardware or loss of data and tells you how to avoid the problem.



**CAUTION:** A CAUTION indicates a potential for property damage, personal injury, or death.

---

**Information in this document is subject to change without notice.**

**© 2008-2009 Dell Inc. All rights reserved.**

Reproduction in any manner whatsoever without the written permission of Dell Inc. is strictly forbidden.

Trademarks used in this text: *Dell*, the *DELL* logo, and *PowerEdge* are trademarks of Dell Inc.; *Intel* is a registered trademark of Intel Corporation in the U.S. and other countries; *Microsoft*, *MS-DOS*, *Windows*, and *Windows Server* are either trademarks or registered trademarks of Microsoft Corporation in the United States and/or other countries; *UNIX* is a registered trademark of The Open Group in the United States and other countries.

Other trademarks and trade names may be used in this document to refer to either the entities claiming the marks and names or their products. Dell Inc. disclaims any proprietary interest in trademarks and trade names other than its own.

# Contents

1	About Your System . . . . .	9
	<b>Other Information You May Need</b> . . . . .	9
	<b>Accessing System Features During Startup</b> . . . . .	10
	<b>Front-Panel Features and Indicators</b> . . . . .	11
	<b>Back-Panel Features and Indicators</b> . . . . .	13
	Connecting External Devices . . . . .	14
	NIC Indicator Codes . . . . .	14
	Power Supply Indicators . . . . .	15
	<b>Diagnostic Lights</b> . . . . .	16
	<b>System Messages</b> . . . . .	18
	<b>Warning Messages</b> . . . . .	27
	<b>Diagnostics Messages</b> . . . . .	27
	<b>Alert Messages</b> . . . . .	27
2	Using the System Setup Program . . . . .	29
	<b>Entering the System Setup Program</b> . . . . .	29
	Responding to Error Messages . . . . .	29
	Using the System Setup Program . . . . .	30
	<b>System Setup Options</b> . . . . .	30
	Main Screen . . . . .	30

Memory Information Screen . . . . .	33
CPU Information Screen . . . . .	33
SATA Configuration Screen. . . . .	34
Integrated Devices Screen . . . . .	35
Console Redirection Screen . . . . .	36
System Security Screen . . . . .	36
Exit Screen . . . . .	38
<b>System and Setup Password Features. . . . .</b>	<b>38</b>
Using the System Password . . . . .	39
Using the Setup Password . . . . .	42
<b>Disabling a Forgotten Password. . . . .</b>	<b>43</b>
<b>3 Installing System Components . . . . .</b>	<b>45</b>
<b>Recommended Tools . . . . .</b>	<b>45</b>
<b>Inside the System. . . . .</b>	<b>46</b>
<b>Opening the System . . . . .</b>	<b>47</b>
<b>Closing the System. . . . .</b>	<b>47</b>
<b>Front Drive Bezel . . . . .</b>	<b>48</b>
Removing the Front Drive Bezel . . . . .	49
Replacing the Front Drive Bezel . . . . .	49
Removing an Insert on the Front Drive Bezel. . . . .	50
Replacing an Insert on the Front Drive Bezel. . . . .	50
<b>Removing and Inserting Blank Drive Inserts . . . . .</b>	<b>51</b>
<b>Diskette Drive . . . . .</b>	<b>52</b>
Removing the Diskette Drive . . . . .	52
Installing a Diskette Drive. . . . .	54
<b>Optical and Tape Drives . . . . .</b>	<b>57</b>



Removing an Optical or Tape Drive . . . . .	57
Installing an Optical or Tape Drive . . . . .	60
<b>Hard Drives . . . . .</b>	<b>64</b>
Hard Drive Installation Guidelines . . . . .	64
Removing a Hard Drive . . . . .	64
Installing a Hard Drive . . . . .	66
<b>Expansion Cards . . . . .</b>	<b>70</b>
Removing an Expansion Card . . . . .	70
Installing an Expansion Card . . . . .	73
SAS Controller Expansion Card . . . . .	74
<b>Memory . . . . .</b>	<b>76</b>
Memory Module Upgrade Kits . . . . .	76
Memory Module Installation Guidelines . . . . .	76
Addressing Memory With 8-GB Configurations (Microsoft® Windows® Operating System Only) . . . . .	77
Removing a Memory Module . . . . .	78
Installing a Memory Module . . . . .	78
<b>Microprocessor . . . . .</b>	<b>80</b>
Removing the Processor . . . . .	81
Replacing the Processor . . . . .	83
<b>Cooling Fans . . . . .</b>	<b>84</b>
Removing the Cooling Fans . . . . .	84
Replacing the Cooling Fans . . . . .	87
<b>System Battery . . . . .</b>	<b>89</b>
Removing the System Battery . . . . .	90
Installing the System Battery . . . . .	91
<b>Power Supply . . . . .</b>	<b>92</b>
Removing the Power Supply . . . . .	92
Installing the Power Supply . . . . .	94

<b>Chassis Intrusion Switch</b> . . . . .	<b>94</b>
Removing the Chassis Intrusion Switch . . . . .	94
Installing the Chassis Intrusion Switch. . . . .	95
<b>Bezel</b> . . . . .	<b>96</b>
Removing the Bezel. . . . .	96
Replacing the Bezel. . . . .	97
<b>I/O Panel Assembly</b> . . . . .	<b>98</b>
Removing the I/O Panel Assembly . . . . .	98
Replacing the I/O Panel Assembly . . . . .	99
<b>System Board</b> . . . . .	<b>102</b>
Removing the System Board . . . . .	102
Installing the System Board. . . . .	103
<b>4 Troubleshooting Your System</b> . . . . .	<b>105</b>
<b>Safety First—For You and Your System</b> . . . . .	<b>105</b>
<b>Start-Up Routine</b> . . . . .	<b>105</b>
<b>Checking the Equipment</b> . . . . .	<b>106</b>
Troubleshooting External Connections. . . . .	106
Troubleshooting the Video Subsystem . . . . .	106
<b>Troubleshooting the Keyboard or Mouse</b> . . . . .	<b>107</b>
<b>Troubleshooting Serial I/O Problems</b> . . . . .	<b>109</b>
Troubleshooting a Serial I/O Device . . . . .	109
Troubleshooting a USB Device . . . . .	110
<b>Troubleshooting a NIC</b> . . . . .	<b>112</b>
<b>Troubleshooting a Wet System</b> . . . . .	<b>113</b>
<b>Troubleshooting a Damaged System</b> . . . . .	<b>114</b>

<b>Troubleshooting the System Battery</b> . . . . .	<b>114</b>
<b>Troubleshooting Power Supply</b> . . . . .	<b>115</b>
<b>Troubleshooting System Cooling Problems</b> . . . . .	<b>116</b>
Troubleshooting a Fan . . . . .	117
<b>Troubleshooting System Memory</b> . . . . .	<b>118</b>
<b>Troubleshooting a Diskette Drive</b> . . . . .	<b>120</b>
<b>Troubleshooting an Optical Drive</b> . . . . .	<b>122</b>
<b>Troubleshooting an External SCSI Tape Drive</b> . . . . .	<b>123</b>
<b>Troubleshooting a Hard Drive</b> . . . . .	<b>124</b>
<b>Troubleshooting a SAS or SAS RAID Controller</b> . . . . .	<b>125</b>
<b>Troubleshooting Expansion Cards</b> . . . . .	<b>127</b>
<b>Troubleshooting the Microprocessor</b> . . . . .	<b>129</b>
<b>5 Running the System Diagnostics</b> . . . . .	<b>131</b>
<b>Using Dell PowerEdge Diagnostics</b> . . . . .	<b>131</b>
<b>System Diagnostics Features</b> . . . . .	<b>131</b>
<b>When to Use the System Diagnostics</b> . . . . .	<b>132</b>
<b>Running the System Diagnostics</b> . . . . .	<b>132</b>
<b>System Diagnostics Testing Options</b> . . . . .	<b>132</b>
<b>Using the Custom Test Options</b> . . . . .	<b>133</b>
Selecting Devices for Testing . . . . .	133
Selecting Diagnostics Options . . . . .	133
Viewing Information and Results . . . . .	134

6	Jumpers and Connectors . . . . .	135
	<b>System Board Jumpers</b> . . . . .	135
	<b>System Board Connectors</b> . . . . .	137
	<b>Disabling a Forgotten Password</b> . . . . .	139
7	Getting Help . . . . .	141
	<b>Contacting Dell</b> . . . . .	141
	Glossary . . . . .	143
	Index . . . . .	155

# About Your System

This section describes the physical, firmware, and software interface features that provide and ensure the essential functioning of your system. The physical connectors on your system's front and back panels provide convenient connectivity and system expansion capability. The system firmware, applications, and operating systems monitor the system and component status and alert you when a problem arises. System conditions can be reported by any of the following:

- Front or back panel indicators
- System messages
- Warning messages
- Diagnostics messages
- Alert messages

This section describes each type of message, lists the possible causes, and provides steps to resolve any problems indicated by a message. The system indicators and features are illustrated in this section.

## Other Information You May Need



**NOTE:** Important safety and regulatory information is provided in another document. Warranty information may be included within this document or as a separate document.

- The *Getting Started Guide* provides an overview of system features, setting up your system, and technical specifications.
- CDs or DVDs included with your system provide documentation and tools for configuring and managing your system.
- Systems management software documentation describes the features, requirements, installation, and basic operation of the software.
- Operating system documentation describes how to install (if necessary), configure, and use the operating system software.
- Documentation for any components you purchased separately provides information to configure and install these options.

- Updates are sometimes included with the system to describe changes to the system, software, and/or documentation.



**NOTE:** Always check for updates on [support.dell.com](http://support.dell.com) and read the updates first because they often supersede information in other documents.

- Release notes or readme files may be included to provide last-minute updates to the system or documentation or advanced technical reference material intended for experienced users or technicians.

## Accessing System Features During Startup

Table 1-1 describes keystrokes that may be entered during startup to access system features. If your operating system begins to load before you enter the keystroke, allow the system to finish booting, and then restart your system and try again.

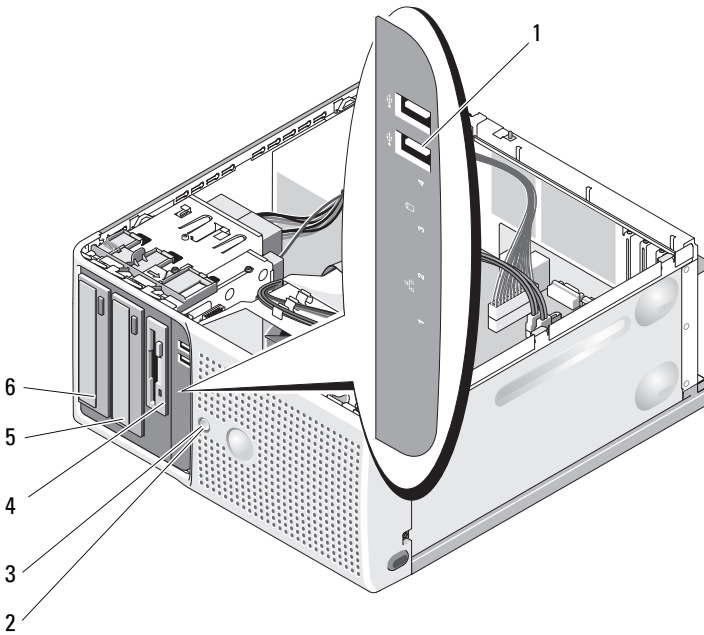
**Table 1-1. Keystrokes for Accessing System Features**

Keystroke	Description
<F2>	Enters the System Setup program. See "Using the System Setup Program" on page 29.
<F10>	Opens the utility partition, allowing you to run the system diagnostics. See "Running the System Diagnostics" on page 132.
<F11>	Enters the boot menu selection screen, allowing you to choose a boot device.
<F12>	Initiates PXE boot.
<Ctrl+C>	Option is displayed for some SAS controller expansion cards. Enters the SAS Configuration Utility, which includes RAID configuration options. See your SAS adapter <i>User's Guide</i> for more information.
<Ctrl+S>	Option is displayed only if you have PXE support enabled through the System Setup Program (see Table 2-1). This keystroke allows you to configure NIC settings for PXE boot. For more information, see the documentation for your integrated NIC.


# Front-Panel Features and Indicators

Figure 1-1 shows the controls, indicators, and connectors located on the system's front panel. Table 1-2 provides component descriptions.


**Figure 1-1. Front-Panel Features and Indicators**



**Table 1-2. Front-Panel Components**

Item	Component	Icon	Description
1	USB connectors (2)		Connects USB 2.0-compliant devices to the system.

**Table 1-2. Front-Panel Components (continued)**

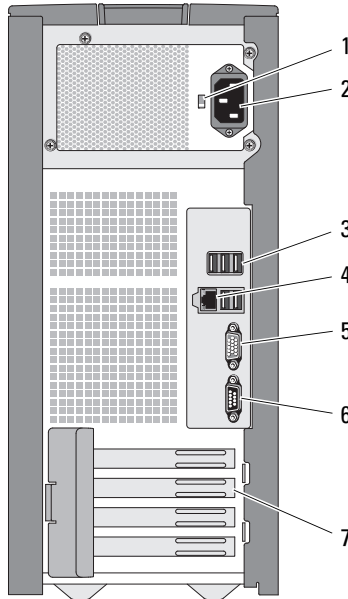
Item	Component	Icon	Description
2	power button		The power button controls the DC power supply output to the system. <b>NOTE:</b> If you turn off the system using the power button and the system is running an ACPI-compliant operating system, the system performs a graceful shutdown before the power is turned off. If the system is not running an ACPI-compliant operating system, the power is turned off immediately after the power button is pressed.
3	power light		No light — The system is off. Steady green — The system is powered on. Blinking green — The system is in a low power state. Steady amber — A BIOS failure occurred before Power-On Self Test (POST). See "Diagnostic Lights" on page 16. Blinking amber — There is a problem with the power supply.
4	flex bay		Holds an optional diskette drive.
5	lower 5.25-inch drive bay		Holds an optional optical or tape backup unit drive.
6	upper 5.25-inch drive bay		Holds an optical drive.



# Back-Panel Features and Indicators

Figure 1-2 shows the controls, indicators, and connectors located on the system's back panel.

**Figure 1-2. Back-Panel Features and Indicators**



- |   |                              |   |                  |
|---|------------------------------|---|------------------|
| 1 | voltage selection switch     | 2 | power connector  |
| 3 | USB connectors (5)           | 4 | NIC connector    |
| 5 | video connector              | 6 | serial connector |
| 7 | I/O expansion-card slots (4) |   |                  |

## Connecting External Devices

When connecting external devices to your system, follow these guidelines:

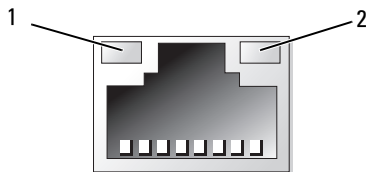
- Most devices must be connected to a specific connector and device drivers must be installed before the device operates properly. (Device drivers are normally included with your operating system software or with the device itself.) See the documentation that accompanied the device for specific installation and configuration instructions.
- Always attach an external device while your system and the device are turned off. Next, turn on any external devices before turning on the system (unless the documentation for the device specifies otherwise).

See "Using the System Setup Program" on page 29 for information about enabling, disabling, and configuring I/O ports and connectors.

## NIC Indicator Codes

The NIC on the back panel has an indicator that provides information on network activity and link status. See Figure 1-3. Table 1-3 lists the NIC indicator codes.

**Figure 1-3. NIC Indicators**



1 link indicator

2 activity indicator

**Table 1-3. NIC Indicator Codes**

<b>Indicator Type</b>	<b>Indicator Code</b>	<b>Description</b>
Activity	Off	When off at the same time that the link indicator is off, the NIC is not connected to the network or the NIC is disabled in the System Setup program. See "Using the System Setup Program" on page 29.
	Blinking	Indicates that network data is being sent or received.
Link	Off	When off at the same time that the activity indicator is off, the NIC is not connected to the network or the NIC is disabled in the System Setup program. See "Using the System Setup Program" on page 29.
	Yellow	1000-Mbps connection
	Orange	100-Mbps connection
	Green	10-Mbps connection

## **Power Supply Indicators**

The voltage selection switch on the back panel of the system allows you to select one of two primary voltage inputs. Ensure that the switch is set to the proper voltage according to Table 1-4.


**Table 1-4. Voltage Selection Switch**

<b>If your power source is: The voltage selection switch should be set to:</b>	
110 V	115
220 V	230

























For information on system power requirements, see "Technical Specifications" in your *Getting Started Guide*.

# Diagnostic Lights










The four diagnostic indicator lights on the system front panel display error codes during system startup. Table 1-5 lists the causes and possible corrective actions associated with these codes. A highlighted circle indicates the light is on; a non-highlighted circle indicates the light is off.

 **NOTE:** If the power LEDs blink amber, there is a problem with the power supply. If the power LED shows a solid amber, a BIOS failure occurred before Power-On Self Test (POST).

**Table 1-5. Diagnostic Indicator Codes**


Code	Causes	Corrective Action
   	<p>The computer is in a normal off condition or a possible pre-BIOS failure has occurred.</p> <p>The diagnostic lights are not lit after the system successfully boots to the operating system.</p>	<p>Plug the computer into a working electrical outlet and press the power button.</p>
   	<p>The system is in a normal operating condition after POST.</p>	<p>Information only.</p>
   	<p>BIOS checksum failure detected; system is in recovery mode.</p>	<p>See "Getting Help" on page 141.</p>
   	<p>Possible processor failure.</p>	<p>See "Troubleshooting the Microprocessor" on page 129.</p>
   	<p>Memory failure.</p>	<p>See "Troubleshooting System Memory" on page 118.</p>
   	<p>Possible expansion card failure.</p>	<p>See "Troubleshooting Expansion Cards" on page 127.</p>


**Table 1-5. Diagnostic Indicator Codes**

<b>Code</b>	<b>Causes</b>	<b>Corrective Action</b>
	Possible video failure.	See "Getting Help" on page 141.
	Diskette drive or hard drive failure.	Ensure that the diskette drive and hard drive are properly connected. See "Hard Drives" on page 64 or "Diskette Drive" on page 52 for information on the drives installed in your system.
	Possible USB failure.	See "Troubleshooting a USB Device" on page 110.
	No memory modules detected.	See "Troubleshooting System Memory" on page 118.
	System board failure.	See "Getting Help" on page 141.
	Memory configuration error.	See "Troubleshooting System Memory" on page 118.
	Possible system board resource and/or system board hardware failure.	See "Getting Help" on page 141.
	Possible system resource configuration error.	See "Getting Help" on page 141.
	Other failure.	Ensure that the diskette drive, optical drive, and hard drives are properly connected. See "Troubleshooting Your System" on page 105 for the appropriate drive installed in your system. If the problem persists, see "Getting Help" on page 141.

# System Messages

System messages appear on the screen to notify you of a possible problem with the system. Table 1-6 lists the system messages that can occur and the probable cause and corrective action for each message.

 **NOTE:** If you receive a system message that is not listed in Table 1-6, check the documentation for the application that is running when the message appears or the operating system's documentation for an explanation of the message and recommended action.

 **CAUTION:** Many repairs may only be done by a certified service technician. You should only perform troubleshooting and simple repairs as authorized in your product documentation, or as directed by the online or telephone service and support team. Damage due to servicing that is not authorized by Dell is not covered by your warranty. Read and follow the safety instructions that came with the product.

**Table 1-6. System Messages**

Message	Causes	Corrective Actions
Attempting to update Remote Configuration. Please wait....	Remote Configuration is in progress.	Wait until the process is complete.
BIOS Update Attempt Failed!	Remote BIOS update attempt failed.	Retry the BIOS update. If the problem persists, see "Getting Help" on page 141.
Caution! NVRAM_CLR jumper is installed on system board.	NVRAM_CLR jumper is installed.	Check the System Setup configuration settings. See "Using the System Setup Program" on page 29. Remove the NVRAM_CLR jumper. See Figure 6-1 for jumper locations.

**Table 1-6. System Messages (continued)**

<b>Message</b>	<b>Causes</b>	<b>Corrective Actions</b>
Data error	The diskette drive or hard drive cannot read the data.	For the operating system, run the appropriate utility to check the file structure of the diskette drive or hard drive.  See your operating system documentation for information on running these utilities.
Decreasing available memory	One or more memory modules might be improperly seated or faulty.	Reinstall the memory modules and, if necessary, replace them. See "Memory" on page 76.  See "Troubleshooting System Memory" on page 118.
Diskette read failure	Faulty or improperly inserted diskette.	Replace the diskette.
Diskette subsystem reset failed	Faulty diskette drive or optical drive controller.	Ensure that the diskette drive and optical drive cables are properly connected. See "Troubleshooting a USB Device" on page 110 and "Troubleshooting an Optical Drive" on page 122. If the problem persists, see "Getting Help" on page 141.
Drive not ready	Diskette missing or improperly inserted in diskette drive.	Reinsert or replace the diskette.

**Table 1-6. System Messages (continued)**

<b>Message</b>	<b>Causes</b>	<b>Corrective Actions</b>
Error: Incorrect memory configuration. Ensure memory in slots DIMM1_A and DIMM1_B, DIMM2_A and DIMM2_B match identically in size, speed and rank.	The installed memory modules are not matched pairs.	See "Memory Module Installation Guidelines" on page 76.
Error 8602: Auxiliary device failure. Verify that mouse and keyboard are securely attached to correct connectors.	Loose or improperly connected mouse or keyboard cable; faulty mouse or keyboard.	Replace the mouse. If the problem persists, replace the keyboard.
Gate A20 failure	Faulty keyboard controller (faulty system board).	See "Getting Help" on page 141.
General failure	The operating system is unable to carry out the command.	This message is usually followed by specific information. Take the appropriate action to resolve the problem.
Keyboard controller failure	Faulty keyboard controller (faulty system board).	See "Getting Help" on page 141.
Keyboard data line failure Keyboard failure Keyboard stuck key failure	Loose or improperly connected keyboard cable; faulty keyboard; faulty keyboard controller.	Ensure that the keyboard is properly connected. If the problem persists, replace the keyboard. If the problem persists, see "Getting Help" on page 141.



**Table 1-6. System Messages (continued)**

<b>Message</b>	<b>Causes</b>	<b>Corrective Actions</b>
Keyboard fuse has failed.	Keyboard fuse has failed. Faulty system board.	Replace the keyboard. If the problem persists, the system board is faulty. See "Getting Help" on page 141.
Manufacturing mode detected	System is incorrectly configured.	
Memory address line failure at <i>address</i> , read <i>value</i> expecting <i>value</i>	Faulty or improperly installed memory modules, or faulty system board.	Ensure that all memory modules are properly installed. See "Troubleshooting System Memory" on page 118. If the problem persists, see "Getting Help" on page 141.
Memory double word logic failure at <i>address</i> , read <i>value</i> expecting <i>value</i>		
Memory odd/even logic failure at <i>start address</i> to <i>end address</i>		
Memory write/read failure at <i>address</i> , read <i>value</i> expecting <i>value</i>		
Memory tests terminated by keystroke	The spacebar was pressed during POST to terminate the memory test.	Information only.

**Table 1-6. System Messages (continued)**

<b>Message</b>	<b>Causes</b>	<b>Corrective Actions</b>
No boot device available	The system cannot find the diskette or hard drive.	<p>If the diskette drive is your boot device, ensure that a bootable disk is in the drive.</p> <p>If the hard drive is your boot device, ensure that the hard drive is installed, properly seated, and partitioned as a boot device.</p> <p>Enter the System Setup program and verify the boot sequence information. See "System Setup Options" on page 30.</p>
No boot sector on hard-disk drive	The system configuration information in the System Setup program might be incorrect.	<p>Enter the System Setup program and verify the system configuration information for the hard drive. See "System Setup Options" on page 30.</p> <p>If the message continues to appear after verifying the information in the System Setup program, the operating system might have been corrupted. Reinstall the operating system. See your operating system documentation for reinstallation information.</p>
No timer tick interrupt	A chip on the system board might be malfunctioning.	Run the system diagnostics. See "Running the System Diagnostics" on page 131.

**Table 1-6. System Messages (continued)**

<b>Message</b>	<b>Causes</b>	<b>Corrective Actions</b>
Not a boot diskette	The operating system is trying to boot from a diskette that does not have a bootable operating system installed on it.	Insert a diskette that has a bootable operating system.
Option ROM Checksum Error	PCI device BIOS (Option ROM) checksum failure is detected during shadowing.	Ensure that all appropriate cables are securely connected to the expansion cards. If the problem persists, see "Troubleshooting Expansion Cards" on page 127.
PCIe Degraded Link Width Error: Embedded Bus# <i>nn</i> /Dev# <i>nn</i> /Func <i>n</i> Expected Link Width is <i>n</i> Actual Link Width is <i>n</i>	Faulty or improperly installed PCIe card.	Reseat the PCIe cards. See "Expansion Cards" on page 70. If the problem persists, see "Getting Help" on page 141.
PCIe Degraded Link Width Error: Slot <i>n</i> Expected Link Width is <i>n</i> Actual Link Width is <i>n</i>	Faulty or improperly installed PCIe card in the specified slot number.	Reseat the PCIe card in the specified slot number. See "Expansion Cards" on page 70. If the problem persists, see "Getting Help" on page 141.
PCIe Training Error: Embedded Bus# <i>nn</i> /Dev# <i>nn</i> /Func <i>n</i>	Faulty or improperly installed PCIe card.	Reseat the PCIe cards. See "Expansion Cards" on page 70. If the problem persists, see "Getting Help" on page 141.

**Table 1-6. System Messages (continued)**

<b>Message</b>	<b>Causes</b>	<b>Corrective Actions</b>
PCIe Training Error: Slot n	Faulty or improperly installed PCIe card in the specified slot number.	Reseat the PCIe card in the specified slot number. See "Expansion Cards" on page 70. If the problem persists, see "Getting Help" on page 141.
Plug & Play Configuration Error	Error encountered in initializing PCI device; faulty system board.	Install the NVRAM_CLR jumper and reboot the system. See Figure 6-1 for jumper location. Check for a BIOS update. If the problem persists, see "Troubleshooting Expansion Cards" on page 127. If the problem persists, see "Getting Help" on page 141.
Read fault Requested sector not found	The operating system cannot read from the diskette or hard drive, the system could not find a particular sector on the disk, or the requested sector is defective.	Replace the diskette. Ensure that the diskette and hard-drive cables are properly connected. See "Troubleshooting a USB Device" on page 110 or "Troubleshooting a Hard Drive" on page 124 for the appropriate drive(s) installed in your system.
Remote Configuration update attempt failed	System could not implement Remote Configuration request.	Retry Remote Configuration.
SATA port A/B/C/D hard disk drive configuration error	Faulty drive. Parameters failure.	Ensure that the hard drive cables are properly connected. See "Troubleshooting a Hard Drive" on page 124.

**Table 1-6. System Messages (continued)**

<b>Message</b>	<b>Causes</b>	<b>Corrective Actions</b>
SATA port A/B/C/D hard disk drive failure	Faulty drive. INT13 call failure from the drive.	Ensure that the hard drive cables are properly connected. See "Troubleshooting a Hard Drive" on page 124.
SATA port A/B/C/D hard disk drive auto-sensing error		
SATA Port A/B/C/D hard disk not found	SATA Port A/B/C/D set as Auto, no disk installed.	Run the System Setup program to correct the settings. See "Using the System Setup Program" on page 29.
Sector not found Seek error Seek operation failed	Faulty diskette or hard drive.	See "Troubleshooting a USB Device" on page 110 or "Troubleshooting a Hard Drive" on page 124 for the appropriate drive installed in your system.
Shutdown failure	Shutdown test failure.	Ensure that all memory modules are properly installed. See "Troubleshooting System Memory" on page 118. If the problem persists, see "Getting Help" on page 141.
The amount of system memory has changed.	Faulty memory module.  Information only, if you have changed the memory configuration.  Faulty memory module.	See "Troubleshooting System Memory" on page 118. If the problem persists, see "Getting Help" on page 141.  See "Troubleshooting System Memory" on page 118. If the problem persists, see "Getting Help" on page 141.

**Table 1-6. System Messages (continued)**

<b>Message</b>	<b>Causes</b>	<b>Corrective Actions</b>
Time-of-day clock stopped	Faulty battery; faulty system board.	See "Troubleshooting the System Battery" on page 114. If the problem persists, see "Getting Help" on page 141.
Time-of-day not set - please run SETUP program	Incorrect <b>Time</b> or <b>Date</b> settings; faulty system battery.	Check the <b>Time</b> and <b>Date</b> settings. See "Using the System Setup Program" on page 29. If the problem persists, see "Troubleshooting the System Battery" on page 114.
Timer chip counter 2 failed	Faulty system board.	See "Getting Help" on page 141.
Unexpected interrupt in protected mode	Faulty or improperly installed memory modules or faulty system board.	Ensure that all memory modules are properly installed. See "Memory Module Installation Guidelines" on page 76. If the problem persists, see "Troubleshooting System Memory" on page 118. If the problem persists, see "Getting Help" on page 141.
Utility partition not available	Utility partition is not available on the hard disk	Create a utility partition on the boot hard drive. See the CDs that came with your system.
Warning! No micro code update loaded for processor 0	Micro code update failed.	Update the BIOS firmware. See "Getting Help" on page 141.

**Table 1-6. System Messages (continued)**

Message	Causes	Corrective Actions
Write fault	Faulty diskette, diskette drive, hard drive.	Replace the diskette.
Write fault on selected drive		Ensure that the diskette drive and hard-drive cables are properly connected. See "Troubleshooting a USB Device" on page 110 or "Troubleshooting a Hard Drive" on page 124 for the appropriate drive(s) installed in your system.

## Warning Messages

A warning message alerts you to a possible problem and prompts you to respond before the system continues a task. For example, before you format a diskette, a message will warn you that you may lose all data on the diskette. Warning messages usually interrupt the task and require you to respond by typing *y* (yes) or *n* (no).



**NOTE:** Warning messages are generated by either the application or the operating system. For more information, see the documentation that accompanied the operating system or application.

## Diagnostics Messages

When you run system diagnostics, an error message may result. Diagnostic error messages are not covered in this section. Record the message on a copy of the Diagnostics Checklist in "Getting Help" on page 141, and then follow the instructions in that section for obtaining technical assistance.

## Alert Messages

Systems management software generates alert messages for your system. Alert messages include information, status, warning, and failure messages for drive, temperature, fan, and power conditions. For more information, see the systems management software documentation.





# Using the System Setup Program

After you set up your system, run the System Setup program to familiarize yourself with your system configuration and optional settings. Record the information for future reference.


You can use the System Setup program to:

- Change the system configuration stored in NVRAM after you add, change, or remove hardware
- Set or change user-selectable options—for example, the time or date
- Enable or disable integrated devices
- Correct discrepancies between the installed hardware and configuration settings

## Entering the System Setup Program


- 1 Turn on or restart your system.
- 2 Press <F2> immediately after you see the following message:  
<F2> = System Setup

If your operating system begins to load before you press <F2>, allow the system to finish booting, and then restart your system and try again.

 **NOTE:** To ensure an orderly system shutdown, see the documentation that accompanied your operating system.

## Responding to Error Messages

You can enter the System Setup program by responding to certain error messages. If an error message appears while the system is booting, make a note of the message. Before entering the System Setup program, see "System Messages" on page 18 for an explanation of the message and suggestions for correcting errors.

 **NOTE:** After installing a memory upgrade, it is normal for your system to send a message the first time you start your system.

## Using the System Setup Program

Table 2-1 lists the keys that you use to view or change information on the System Setup program screens and to exit the program.

**Table 2-1. System Setup Program Navigation Keys**

Keys	Action
Up arrow or <Shift><Tab>	Moves to the previous field.
Down arrow or <Tab>	Moves to the next field.
Spacebar, <+>, <->, left and right arrows	Cycles through the settings in a field. In many fields, you can also type the appropriate value.
<Esc>	Exits the System Setup program and restarts the system if any changes were made.
<F1>	Displays the System Setup program's help file.



**NOTE:** For most of the options, any changes that you make are recorded but do not take effect until you restart the system.

## System Setup Options

### Main Screen

When you enter the System Setup program, the main System Setup program screen appears (see Figure 2-1).

**Figure 2-1. Main System Setup Program Screen**

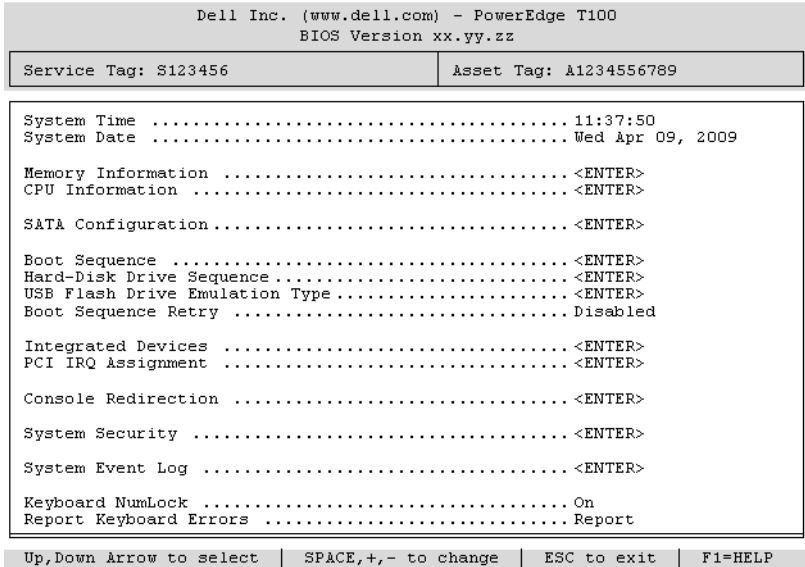



Table 2-2 lists the options and descriptions for the information fields that appear on the main System Setup program screen.

 **NOTE:** The System Setup program defaults are listed under their respective options, where applicable.

**Table 2-2. System Setup Program Options**

Option	Description
System Time	Resets the time on the system's internal clock.
System Date	Resets the date on the system's internal calendar.
Memory Information	See "Memory Information Screen" on page 33.
CPU Information	See "CPU Information Screen" on page 33.
SATA Configuration	See "SATA Configuration Screen" on page 34.

**Table 2-2. System Setup Program Options (continued)**

<b>Option</b>	<b>Description</b>
Boot Sequence	Determines the order in which the system searches for boot devices during system startup. Available options can include the diskette drive, CD drive, hard drives, and network.
Hard-Disk Drive Sequence	Determines the order in which the system searches the hard drives during system startup. The selections depend on the hard drives installed in your system.
USB Flash Drive Emulation Type (Auto default)	Determines the emulation type for a USB flash drive. <b>Floppy</b> allows the USB flash drive to act as a removable floppy disk, and it will be assigned a drive letter of A: or B:. <b>Hard disk</b> allows the USB flash drive to act as a hard drive. <b>Auto</b> automatically chooses an emulation type.
Boot Sequence Retry (Disabled default)	Enables or disables retrying the boot sequence that was specified in the <b>Boot Sequence</b> option.
Integrated Devices	See "Integrated Devices Screen" on page 35.
PCI IRQ Assignment	Displays a screen to change the IRQ assigned to each of the integrated devices on the PCI bus, and any installed expansion cards that require an IRQ.
Console Redirection	See "Console Redirection Screen" on page 36.
System Security	Displays a screen to configure the system password and setup password features. See "Using the System Password" on page 39 and "Using the Setup Password" on page 42 for more information.
System Event Log	Allows you to display or clear the system event log. The default setting for the <b>Clear System Event Log</b> field is <b>No</b> .
Keyboard NumLock (On default)	Determines whether your system starts up with the <b>NumLock</b> mode activated on 101- or 102-key keyboards (does not apply to 84-key keyboards).

**Table 2-2. System Setup Program Options (continued)**

<b>Option</b>	<b>Description</b>
Report Keyboard Errors (Report default)	Enables or disables reporting of keyboard errors during the POST. Enable this option for host systems that have keyboards attached. Select <b>Do Not Report</b> to suppress all error messages relating to the keyboard or keyboard controller during POST. This setting does not affect the operation of the keyboard itself if a keyboard is attached to the system.

## **Memory Information Screen**

Table 2-3 lists the options and descriptions for the information fields that appear on the **Memory Information** screen.

**Table 2-3. Memory Information Screen**

<b>Option</b>	<b>Description</b>
System Memory Size	Displays the amount of main memory in the system.
System Memory Type	Displays the type of memory installed in the system.
System Memory Speed	Displays the clock frequency of the main memory.
Video Memory	Displays the amount of video memory.
System Memory Testing (Enabled default)	When set to <b>Enabled</b> , system memory tests are conducted. When set to <b>Disabled</b> , the memory tests are not performed.

## **CPU Information Screen**

Table 2-4 lists the options and descriptions for the information fields that appear on the **CPU Information** screen.

**Table 2-4. CPU Information Screen**

<b>Option</b>	<b>Description</b>
64-bit	Specifies if the installed processor supports Intel® 64-bit extensions.
Core Speed	Displays the clock speed of the processor.
Bus Speed	Displays the bus speed of the processor.

**Table 2-4. CPU Information Screen (continued)**

<b>Option</b>	<b>Description</b>
Logical Processor ( <b>Enabled</b> default)	Displays when the processor supports Hyper-Threading technology. <b>Enabled</b> permits all logical processors to be used by the operating system. Only the first logical processor is used by the operating system if <b>Disabled</b> is selected.
Virtualization Technology ( <b>Disabled</b> default)	Displays when the processor(s) support Virtualization Technology. <b>Enabled</b> permits virtualization software to use Virtualization Technology incorporated in the processor design. This feature can only be used by software that supports Virtualization Technology.
Adjacent Cache Line Prefetch ( <b>Enabled</b> default)	Enables or disables optimal use of sequential memory access. Disable this option for applications that require high use of random memory access.
Hardware Prefetcher ( <b>Enabled</b> default)	Enables or disables the hardware prefetcher.
Demand-Based Power Management ( <b>Enabled</b> default)	When set to <b>Enabled</b> , the CPU Performance State Tables are reported to the operating system. When set to <b>Disabled</b> , the Performance State Tables are not reported to the operating system.  If the processor does not support Demand-Based Power Management, this field is read-only.
Processor 0 ID	Displays the family and model number of the processor.
Processor Name Display	Displays the CPU name of the installed Processor 0.
Level 2 Cache	Displays the amount of cache memory for the processor.
Number of Cores	Displays the number of cores in the processor.

### **SATA Configuration Screen**

Table 2-5 lists the options and descriptions for the information fields that appear on the **SATA Configuration** screen.

**Table 2-5. SATA Configuration Screen**

<b>Option</b>	<b>Description</b>
Embedded SATA	Enables ( <b>ATA Mode</b> ) or disables ( <b>Off</b> ) all SATA ports.
Port X	Enables ( <b>Auto</b> ) or disables ( <b>Off</b> ) the SATA hard drive in <b>Port X</b> .
Model	Displays the drive model of the selected hard drive.
Drive Type	Displays the drive type of the selected hard drive.
Capacity	Displays the total capacity of the selected hard drive.

## Integrated Devices Screen

Table 2-6 lists the options and descriptions for the information fields that appear on the **Integrated Devices** screen.

**Table 2-6. Integrated Devices Screen Options**

<b>Option</b>	<b>Description</b>
Diskette Controller	Enables the diskette controller. When set to <b>Auto</b> (the default), each channel of the diskette controller is enabled if IDE devices are attached to the channel and the external diskette controller is not detected.
User Accessible USB Ports ( <b>All Ports On</b> default)	Enables or disables the user accessible USB ports. Options are <b>All Ports On</b> , <b>Only Back Ports On</b> , or <b>All Ports Off</b> .
Embedded Gb NIC ( <b>Enabled with PXE</b> default)	Enables or disables the system's integrated NIC. Options are <b>Enabled with PXE</b> , <b>Enabled without PXE</b> , and <b>Disabled</b> . PXE support allows the system to boot from the network. Changes take effect after the system reboots.
MAC Address	Displays the MAC address for the integrated 10/100/1000 NIC. This field does not have user-selectable settings.
Serial Port 1 ( <b>COM1</b> default)	Sets the serial port to <b>OFF</b> or <b>COM1</b> .  If <b>Console Redirection</b> is <b>Enabled</b> , <b>Serial Port 1</b> is automatically set to <b>COM1</b> , which becomes locked to ensure the console redirection function.
Speaker ( <b>On</b> default)	Enables or disables the system internal speaker.

## Console Redirection Screen

Table 2-7 lists the options and descriptions for the information fields that appear on the **Console Redirection** screen.

**Table 2-7. Console Redirection Screen Options**

Option	Description
Console Redirection (Off default)	Sets the console redirection feature to <b>Off</b> or <b>Serial Port 1</b> .
Failsafe Baud Rate (115200 default)	Displays if the failsafe baud rate is used for console redirection.
Remote Terminal Type (VT 100/VT 220 default)	Select either <b>VT 100/VT 220</b> or <b>ANSI</b> .
Redirection After Boot (Enabled default)	Enables or disables console redirection after your system restarts.

## System Security Screen

Table 2-8 lists the options and descriptions for the information fields that appear on the **System Security** screen.



**NOTE:** The Trusted Platform Module (TPM) may not be available in some countries.

**Table 2-8. System Security Screen Options**


Option	Description
System Password	Displays the current status of your system's password security feature and allows you to assign and verify a new system password. <b>NOTE:</b> See "Using the System Password" on page 39 for instructions on assigning a system password and using or changing an existing system password.
Setup Password	Restricts access to the System Setup program in the same way that you restrict access to your system using the system password feature. <b>NOTE:</b> See "Using the Setup Password" on page 42 for instructions on assigning a setup password and using or changing an existing setup password.



**Table 2-8. System Security Screen Options (continued)**

Option	Description
Password Status	<p>Setting the <b>Setup Password</b> option to <b>Enabled</b> prevents the system password from being changed or disabled at system start-up.</p> <p>To <i>lock</i> the system password, assign a setup password in the <b>Setup Password</b> option and then change the <b>Password Status</b> option to <b>Locked</b>. In this state, you cannot change the system password using the <b>System Password</b> option and the system password cannot be disabled at system start-up by pressing &lt;Ctrl&gt;&lt;Enter&gt;.</p> <p>To <i>unlock</i> the system password, enter the setup password in the <b>Setup Password</b> field and then change the <b>Password Status</b> option to <b>Unlocked</b>. In this state, you can disable the system password at system start-up by pressing &lt;Ctrl&gt;&lt;Enter&gt; and then change the password using the <b>System Password</b> option.</p>
TPM Security (Off default)	<p>Sets the reporting of the TPM in the system.</p> <p><b>NOTE:</b> The TPM is a microchip that is integrated into the system board, and it can be used by both operating systems and programs. It is capable of creating, storing, and protecting cryptographic keys. See <a href="http://support.dell.com">support.dell.com</a> for additional TPM documentation.</p> <p>When set to <b>Off</b> (default), presence of the TPM is not reported to the operating system.</p> <p>When set to <b>On with Pre-boot Measurements</b>, the system reports the TPM to the operating system and stores the pre-boot measurements (compliant with Trusted Computing Group standards) to the TPM during POST.</p> <p>When set to <b>On without Pre-boot Measurements</b>, the system reports the TPM to the operating system and bypasses pre-boot measurements.</p>

**Table 2-8. System Security Screen Options (continued)**


Option	Description
TPM Activation	<p>Changes the operational state of the TPM.</p> <p>When set to <b>Activate</b>, the TPM is enabled and activated at default settings.</p> <p>When set to <b>Deactivate</b>, the TPM is disabled and deactivated.</p> <p>The <b>No Change</b> state initiates no action. The operational state of the TPM remains unchanged (all user settings for the TPM are preserved).</p> <p>This field is read-only when <b>TPM Security</b> is set to <b>Off</b>.</p>
TPM Clear (No default)	<p> <b>NOTICE:</b> Clearing the TPM will cause loss of all encryption keys in the TPM. This option will prevent booting to the operating system and will result in loss of data if the encryption keys cannot be restored. Be sure to back up the TPM keys prior to enabling this option.</p> <p>When set to <b>Yes</b>, all the contents of the TPM are cleared.</p> <p>This field is read-only when <b>TPM Security</b> is set to <b>Off</b>.</p>
AC Power Recovery ( <b>Last</b> default)	<p>Determines how the system reacts when power is restored to the system. If system is set to <b>Last</b>, the system returns to the last power state. <b>On</b> turns on the system after power is restored.</p> <p>When set to <b>Off</b>, the system remains off after power is restored.</p>


## Exit Screen

After you press <Esc> to exit the System Setup program, the **Exit** screen displays the following options:

- Save Changes and Exit
- Discard Changes and Exit
- Return to Setup

## System and Setup Password Features

 **NOTICE:** The password features provide a basic level of security for the data on your system. If your data requires more security, use additional forms of protection, such as data encryption programs.

 **NOTICE:** Anyone can access the data stored on your system if you leave the system running and unattended without having a system password assigned or if you leave your system unlocked so that someone can disable the password by changing a jumper setting.

Your system is shipped to you without the system password feature enabled. If system security is a concern, operate your system only with system password protection.

To change or delete an existing password, you must know the password (see "Deleting or Changing an Existing System Password" on page 41). If you forget your password, you cannot operate your system or change settings in the System Setup program until a trained service technician changes the password jumper setting to disable the passwords, and erases the existing passwords. This procedure is described in "Disabling a Forgotten Password" on page 139.

## Using the System Password

After a system password is assigned, only those who know the password have full use of the system. When the **System Password** option is set to **Enabled**, the system prompts you for the system password after the system starts.

### Assigning a System Password

Before you assign a system password, enter the System Setup program and check the **System Password** option.

When a system password is assigned, the setting shown for the **System Password** option is **Enabled**. If the setting shown for the **Password Status** is **Unlocked**, you can change the system password. If the **Password Status** option is **Locked**, you cannot change the system password. When the system password feature is disabled by a jumper setting, the system password is **Disabled**, and you cannot change or enter a new system password.

When a system password is not assigned and the password jumper on the system board is in the enabled (default) position, the setting shown for the **System Password** option is **Not Enabled** and the **Password Status** field is **Unlocked**. To assign a system password:


- 1 Verify that the **Password Status** option is set to **Unlocked**.
- 2 Highlight the **System Password** option and press <Enter>.

- 3 Type your new system password.


You can use up to 32 characters in your password.

As you press each character key (or the spacebar for a blank space), a placeholder appears in the field.


The password assignment is not case-sensitive. However, certain key combinations are not valid. If you enter one of these combinations, the system beeps. To erase a character when entering your password, press <Backspace> or the left-arrow key.

 **NOTE:** To escape from the field without assigning a system password, press <Enter> to move to another field, or press <Esc> at any time prior to completing step 5.

- 4 Press <Enter>.
- 5 To confirm your password, type it a second time and press <Enter>.  
The setting shown for the **System Password** changes to **Enabled**. Exit the System Setup program and begin using your system.
- 6 Either reboot your system now for your password protection to take effect or continue working.

 **NOTE:** Password protection does not take effect until you reboot the system.

### Using Your System Password to Secure Your System

 **NOTE:** If you have assigned a setup password (see "Using the Setup Password" on page 42), the system accepts your setup password as an alternate system password.

When the **Password Status** option is set to **Unlocked**, you have the option to leave the password security enabled or to disable the password security.

To leave the password security enabled:

- 1 Turn on or reboot your system by pressing <Ctrl><Alt><Del>.
- 2 Type your password and press <Enter>.

To disable the password security:

- 1 Turn on or reboot your system by pressing <Ctrl><Alt><Del>.
- 2 Type your password and press <Ctrl><Enter>.

When the **Password Status** option is set to **Locked** whenever you turn on your system or reboot your system by pressing <Ctrl><Alt><Del>, type your password and press <Enter> at the prompt.

After you type the correct system password and press <Enter>, your system operates as usual.

If an incorrect system password is entered, the system displays a message and prompts you to re-enter your password. You have three attempts to enter the correct password. After the third unsuccessful attempt, the system displays an error message showing the number of unsuccessful attempts and that the system has halted and will shut down. This message can alert you to an unauthorized person attempting to use your system.

Even after you shut down and restart the system, the error message continues to be displayed until the correct password is entered.



**NOTE:** You can use the **Password Status** option in conjunction with the **System Password** and **Setup Password** options to further protect your system from unauthorized changes.

### **Deleting or Changing an Existing System Password**

- 1 When prompted, press <Ctrl><Enter> to disable the existing system password.

If you are asked to enter your setup password, contact your network administrator.

- 2 Enter the System Setup program by pressing <F2> during POST.
- 3 Select the **System Security** screen field to verify that the **Password Status** option is set to **Unlocked**.
- 4 When prompted, type the system password.
- 5 Confirm that **Not Enabled** is displayed for the **System Password** option.

If **Not Enabled** is displayed for the **System Password** option, the system password has been deleted. If **Enabled** is displayed for the **System Password** option, press the <Alt><b> key combination to restart the system, and then repeat steps 2 through 5.

## Using the Setup Password

### Assigning a Setup Password

You can assign (or change) a setup password only when the **Setup Password** option is set to **Not Enabled**. To assign a setup password, highlight the **Setup Password** option and press the <+> or <-> key. The system prompts you to enter and verify the password. If a character is illegal for password use, the system beeps.



**NOTE:** The setup password can be the same as the system password. If the two passwords are different, the setup password can be used as an alternate system password. However, the system password cannot be used in place of the setup password.

You can use up to 32 characters in your password.

As you press each character key (or the spacebar for a blank space), a placeholder appears in the field.

The password assignment is not case-sensitive. However, certain key combinations are not valid. If you enter one of these combinations, the system beeps. To erase a character when entering your password, press <Backspace> or the left-arrow key.

After you verify the password, the **Setup Password** setting changes to **Enabled**. The next time you enter the System Setup program, the system prompts you for the setup password.

A change to the **Setup Password** option becomes effective immediately (restarting the system is not required).

### Operating With a Setup Password Enabled

If **Setup Password** is set to **Enabled**, you must enter the correct setup password before you can modify most of the System Setup options. When you start the System Setup program, the program prompts you to enter a password.

If you do not enter the correct password in three attempts, the system lets you view, but not modify, the System Setup screens—with the following exception: If **System Password** is not set to **Enabled** and is not locked through the **Password Status** option, you can assign a system password (however, you cannot disable or change an existing system password).



**NOTE:** You can use the **Password Status** option in conjunction with the **Setup Password** option to protect the system password from unauthorized changes.

### **Deleting or Changing an Existing Setup Password**

- 1** Enter the System Setup program and select the **System Security** option.
- 2** Highlight the **Setup Password** option, press <Enter> to access the setup password window, and press <Enter> twice to clear the existing setup password.

The setting changes to **Not Enabled**.

- 3** If you want to assign a new setup password, perform the steps in "Assigning a Setup Password" on page 42.

### **Disabling a Forgotten Password**

See "Disabling a Forgotten Password" on page 139.





# Installing System Components

This section describes how to install the following system components:

- Front drive bezel
- Diskette drive
- Optical and tape drives
- Hard drives
- Expansion cards
- SAS controller card
- Memory
- Microprocessor
- Cooling fans
- System battery
- Power supply
- Chassis intrusion switch
- Bezel
- I/O panel
- System board

## Recommended Tools

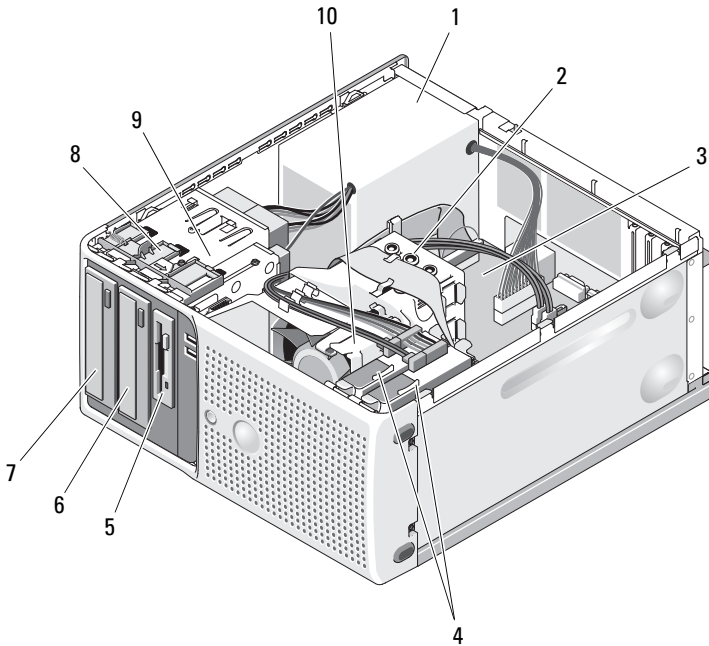
You may need the following items to perform the procedures in this section:

- #2 Phillips screwdriver
- Wrist grounding strap

# Inside the System

In Figure 3-1, the system cover is opened to provide an interior view of the system.

**Figure 3-1. Inside the System**



- |   |                          |    |                               |
|---|--------------------------|----|-------------------------------|
| 1 | power supply             | 2  | heat sink and shroud assembly |
| 3 | system board             | 4  | hard drives (2)               |
| 5 | 3.5-inch drive bay       | 6  | tape backup unit              |
| 7 | 5.25-inch drive bays (2) | 8  | bezel sliding plate release   |
| 9 | drive cage               | 10 | processor cooling fan         |

The system board can accommodate one processor, four expansion cards, and four memory modules. The hard drive bays provide space for up to two SAS or SATA hard drives. Drive bays in the front of the system provide space for an optical drive, an optional tape drive or second optical drive, and an

optional diskette drive. A controller expansion card is required for SAS hard drives. Power is supplied to the system board and internal peripherals through a single nonredundant power supply.

## Opening the System



**CAUTION: Many repairs may only be done by a certified service technician. You should only perform troubleshooting and simple repairs as authorized in your product documentation, or as directed by the online or telephone service and support team. Damage due to servicing that is not authorized by Dell is not covered by your warranty. Read and follow the safety instructions that came with the product.**

- 1 Turn off the system and attached peripherals, and disconnect the system from the electrical outlet.
- 2 Press the power button to ground the system board.
- 3 Lay the system on its side as shown in Figure 3-2.
- 4 Open the system by sliding the cover release tab toward the rear of the system and lifting the cover off. See Figure 3-2.


## Closing the System

- 1 Ensure that all internal cables are connected and folded out of the way.
- 2 Ensure that no tools or extra parts are left inside the system.
- 3 Reinstall the system cover:
  - a Insert the bottom edge of the cover into the bottom of the system chassis. See Figure 3-2.
  - b Press down on the cover until the cover release tab snaps into place.
- 4 Reconnect the system to the electrical outlet, and turn on the system and attached peripherals.

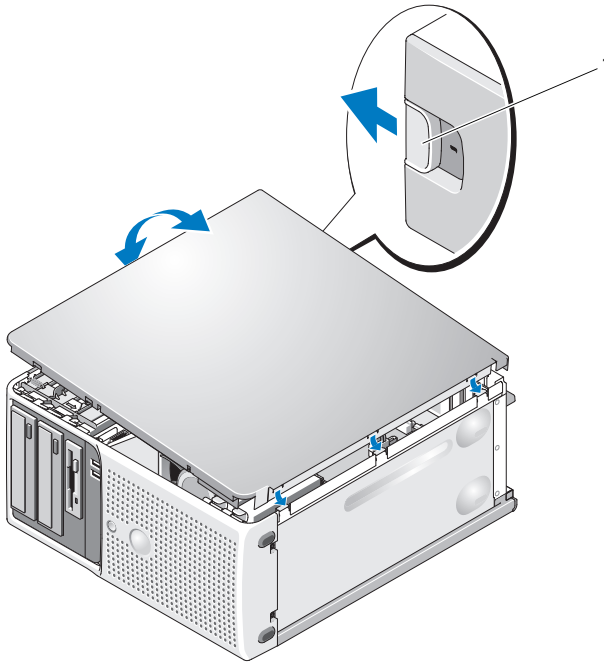
After you open and close the cover, the chassis intrusion detector, if enabled, causes the following message to appear on the screen at the next system start-up:

```
Alert! Cover was previously opened.
```

- 5 To reset the chassis intrusion detector, press <F2> to enter the System Setup program. See "Using the System Setup Program" on page 29.

 **NOTE:** If a setup password has been assigned by someone else, contact your network administrator for information on resetting the chassis intrusion detector.

**Figure 3-2. Opening and Closing the System**



1 release tab

## Front Drive Bezel

The front drive bezel is the cover for the optional diskette and 5.25-inch drives. To remove or install a drive, you must first remove the front drive bezel.



**CAUTION:** Many repairs may only be done by a certified service technician. You should only perform troubleshooting and simple repairs as authorized in your product documentation, or as directed by the online or telephone service and support team. Damage due to servicing that is not authorized by Dell is not covered by your warranty. Read and follow the safety instructions that came with the product.

## Removing the Front Drive Bezel

- 1 Turn off the system and attached peripherals, and disconnect the system from the electrical outlet.
- 2 Open the system. See "Opening the System" on page 47.



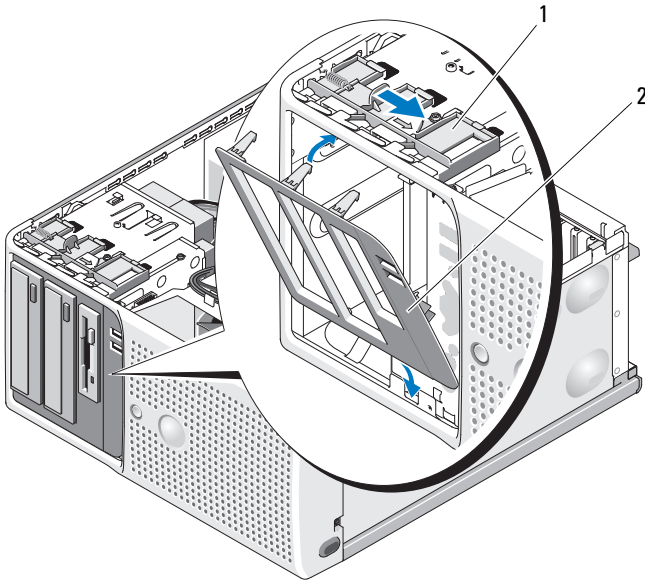
**NOTE:** The sliding plate secures and releases the front drive bezel and helps to secure the drives.

- 3 Slide the lever on the sliding plate in the direction of the arrow until it releases the front drive bezel from its side hinges. See Figure 3-3.
- 4 Carefully tilt the front drive bezel away from the chassis and lift it out as shown in Figure 3-3.
- 5 Close the system. See "Closing the System" on page 47.

## Replacing the Front Drive Bezel

- 1 With the front drive bezel tilted away from the chassis, place the bottom tabs of the bezel into their slots of the chassis. Refer to the lower arrow in Figure 3-3.
- 2 Snap the bezel into place.

**Figure 3-3. Removing and Replacing the Front Drive Bezel**



1 sliding plate

2 front drive bezel

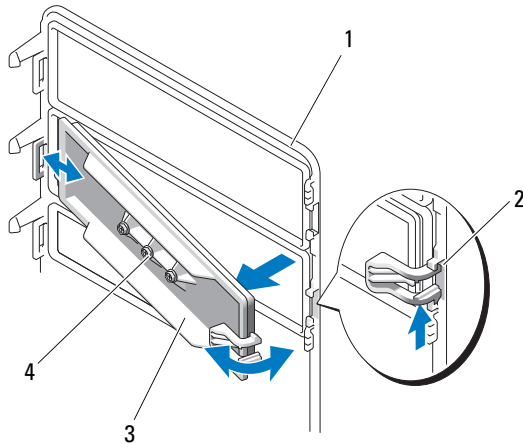
### **Removing an Insert on the Front Drive Bezel**

If you install a drive in the 3.5-inch or 5.25-inch drive bays, first remove the corresponding insert on the front drive bezel. Push the insert gently from the front of the bezel. Then from the back of the bezel, squeeze the tab upward on the end of the insert and rotate the insert away from the bezel. See Figure 3-4.

### **Replacing an Insert on the Front Drive Bezel**

If you remove a drive in the 3.5-inch or 5.25-inch drive bays, replace the corresponding insert on the front drive bezel. From the back of the bezel, fit the tab on the end of the insert into the notch on the bezel and snap the other end of the insert into place. See Figure 3-4.

**Figure 3-4. Removing and Replacing the Front Drive Bezel Insert**



- |   |                    |   |   |
|---|--------------------|---|---|
| 1 | front drive bezel  | 2 | insert tab                                    |
| 3 | drive bezel insert | 4 | screws for an optional<br>5.25-inch drive (3) |

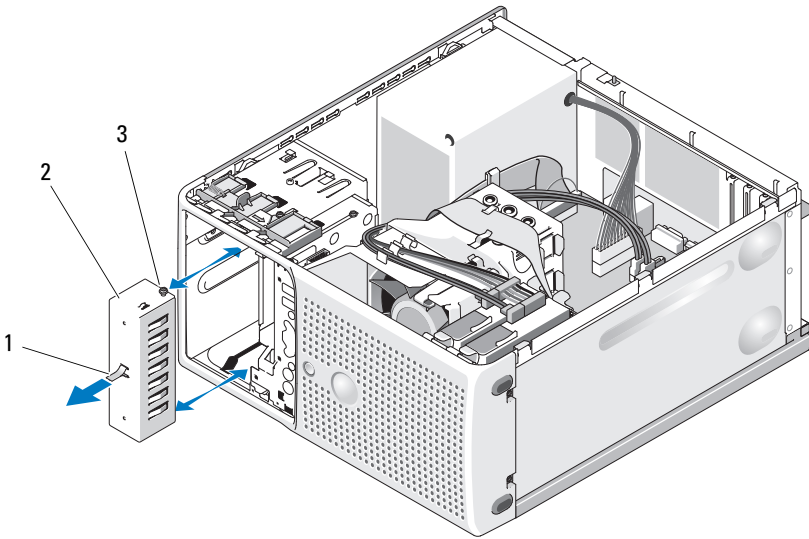
## Removing and Inserting Blank Drive Inserts

Depending on the configuration of your system, a blank drive insert might be installed in place of an optical or diskette drive. These are essential for airflow efficiency and for keeping dust out of the system.

You must remove the blank drive insert if you decide to replace it with an optional diskette or optical drive. From the back of the blank drive insert, slide the lever on the sliding plate in the direction of the arrow until the shoulder screw is released. Then pull the PVC tab to remove the blank drive insert.

To replace the blank drive insert, align the bottom of it with the sliding plate and gently push it back until the shoulder screw locks into place. See Figure 3-5.

**Figure 3-5. Removing and Replacing the Blank Drive Insert**



- 1 tab
- 2 blank drive insert
- 3 drive blank alignment screw

## Diskette Drive

The 3.5-inch drive bay supports an optional standard diskette drive.

### Removing the Diskette Drive

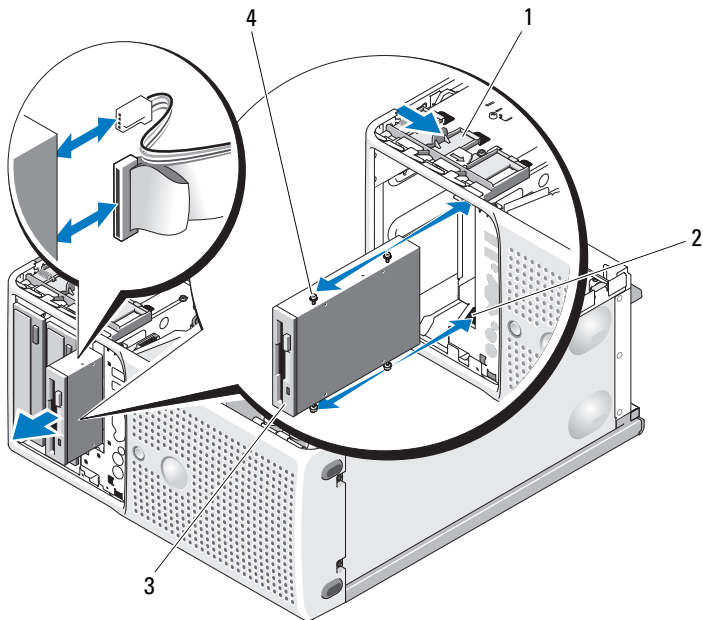
**⚠ CAUTION:** Many repairs may only be done by a certified service technician. You should only perform troubleshooting and simple repairs as authorized in your product documentation, or as directed by the online or telephone service and support team. Damage due to servicing that is not authorized by Dell is not covered by your warranty. Read and follow the safety instructions that came with the product.

- 1 Turn off the system and attached peripherals, and disconnect the system from the electrical outlet.
- 2 Open the system. See "Opening the System" on page 47.



- 3 Remove the front drive bezel. See "Removing the Front Drive Bezel" on page 49.
- 4 Disconnect the power and data cables from the diskette drive. See Figure 3-6.
- 5 Slide the lever on the sliding plate in the direction of the arrow. See Figure 3-6.
- 6 Hold the lever in position and slowly pull the drive out of the bay.

**Figure 3-6. Removing or Installing a Diskette Drive**



- |   |                |   |                               |
|---|----------------|---|-------------------------------|
| 1 | sliding plate  | 2 | drive bay screw slots         |
| 3 | diskette drive | 4 | diskette drive shoulder screw |

- 7 If you are permanently removing the drive, replace the 3.5-inch insert on front drive bezel. See "Replacing an Insert on the Front Drive Bezel" on page 50.

If you are replacing the diskette drive, see "Installing a Diskette Drive" on page 54.

- 8 Replace the front drive bezel. See "Replacing the Front Drive Bezel" on page 49.
- 9 Close the system. See "Closing the System" on page 47.
- 10 Reconnect the system to the electrical outlet, and turn on the system and attached peripherals.

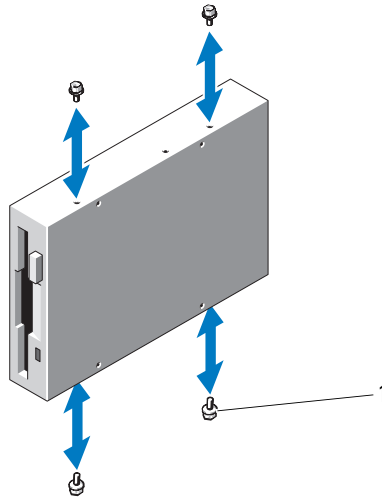
## Installing a Diskette Drive



**CAUTION: Many repairs may only be done by a certified service technician. You should only perform troubleshooting and simple repairs as authorized in your product documentation, or as directed by the online or telephone service and support team. Damage due to servicing that is not authorized by Dell is not covered by your warranty. Read and follow the safety instructions that came with the product.**

- 1 Turn off the system and attached peripherals, and disconnect the system from the electrical outlet.
- 2 Open the system. See "Opening the System" on page 47.
- 3 Unpack the replacement diskette drive, and prepare it for installation.
- 4 Check the documentation for the drive to verify that it is configured for your system.
- 5 Remove the front drive bezel. See "Removing the Front Drive Bezel" on page 49.
- 6 Remove the 3.5-inch insert on the front drive bezel. See "Removing an Insert on the Front Drive Bezel" on page 50.
- 7 Remove the four shoulder screws from the back of the insert. See Figure 3-4; the 3.5-inch insert holds four screws.
- 8 Attach the four screws to the diskette drive as shown in Figure 3-7.

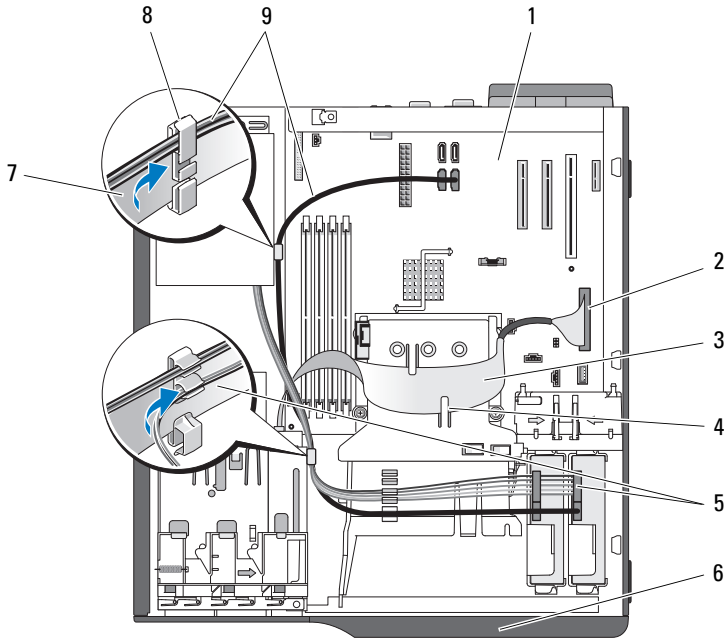
**Figure 3-7. Installing Diskette Drive Shoulder Screws**



1 screws (4)

- 9** From the front of the chassis, slide the drive into the drive bay until the shoulder screws fit into their slots and snap securely into the sliding plate.
- 10** Connect the power cable to the drive. See Figure 3-6.
- 11** Connect the data cable from the drive to the diskette drive connector (FLOPPY) on the system board. See Figure 3-8 and Figure 6-2.

**Figure 3-8. Cabling the Optional Diskette Drive to the Hard Drive**



- |   |                             |   |                          |
|---|-----------------------------|---|--------------------------|
| 1 | system board                | 2 | diskette drive connector |
| 3 | diskette drive ribbon cable | 4 | heat sink shroud tab (2) |
| 5 | SATA power convert cable    | 6 | front drive bezel        |
| 7 | diskette drive ribbon cable | 8 | clip                     |
| 9 | SATA hard drive cables (2)  |   |                          |

- 12** Replace the front drive bezel. See "Replacing the Front Drive Bezel" on page 49.
- 13** Close the system. See "Closing the System" on page 47.
- 14** Reconnect the system to the electrical outlet, and turn on the system and attached peripherals.
- 15** Enter the System Setup program and ensure that the drive's controller is enabled. See "Using the System Setup Program" on page 29.

- 16 (Optional) Test the drive by running the system diagnostics. See "Running the System Diagnostics" on page 131.

## Optical and Tape Drives

In the upper 5.25-inch drive bay, you can install only an optical drive. In the lower 5.25-inch drive bay, you can install either an optical or a tape backup unit.

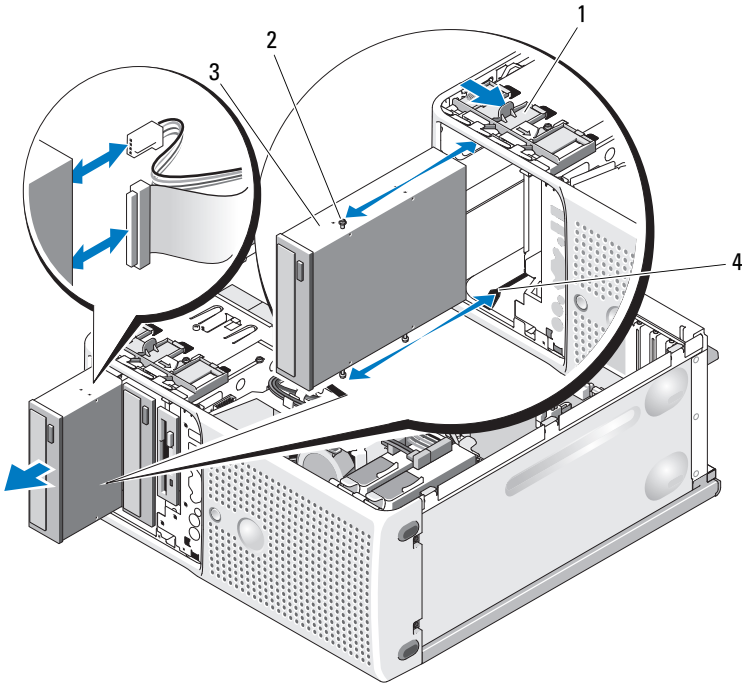
### Removing an Optical or Tape Drive



**CAUTION: Many repairs may only be done by a certified service technician. You should only perform troubleshooting and simple repairs as authorized in your product documentation, or as directed by the online or telephone service and support team. Damage due to servicing that is not authorized by Dell is not covered by your warranty. Read and follow the safety instructions that came with the product.**

- 1 Turn off the system and attached peripherals, and disconnect the system from the electrical outlet.
- 2 Open the system. See "Opening the System" on page 47.
- 3 Remove the front drive bezel. See "Removing the Front Drive Bezel" on page 49.
- 4 Disconnect the power and data cables from the back of the drive. See Figure 3-9 for disconnecting SCSI connections and Figure 3-10 for disconnecting SATA connections.
- 5 Slide the lever on the sliding plate in the direction of the arrow to release the shoulder screw.
- 6 Slide the drive out to remove it from the drive bay.

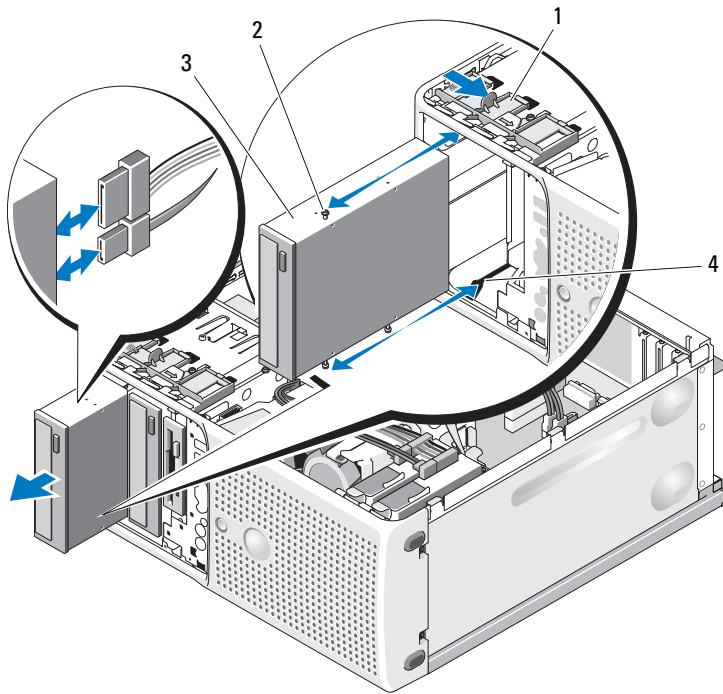
**Figure 3-9. Removing and Installing an Optical or Tape Drive (SCSI Connection)**



- 1 sliding plate
- 3 optical drive

- 2 optical drive shoulder screw
- 4 drive bay screw slots


**Figure 3-10. Removing and Installing an Optical (SATA Connection)**



- |   |               |   |                              |
|---|---------------|---|------------------------------|
| 1 | sliding plate | 2 | optical drive shoulder screw |
| 3 | optical drive | 4 | drive bay screw slots        |


- 7 If you are installing another drive in the bay, see "Installing an Optical or Tape Drive" on page 60.
- 8 If the drive is being permanently removed, install an insert on front drive bezel. See "Replacing an Insert on the Front Drive Bezel" on page 50.
- 9 Replace the front drive bezel. See "Replacing the Front Drive Bezel" on page 49.
- 10 Close the system. See "Closing the System" on page 47.
- 11 Reconnect the system to the electrical outlet, and turn on the system and attached peripherals.

## Installing an Optical or Tape Drive


 **CAUTION:** Many repairs may only be done by a certified service technician. You should only perform troubleshooting and simple repairs as authorized in your product documentation, or as directed by the online or telephone service and support team. Damage due to servicing that is not authorized by Dell is not covered by your warranty. Read and follow the safety instructions that came with the product.

- 1 Unpack the drive and prepare it for installation. For instructions, see the documentation that accompanied the drive.

If you are installing a SCSI tape drive, you must have a SCSI controller card installed. See "Installing an Expansion Card" on page 73.

 **NOTE:** It is recommended that you install the SCSI controller card in expansion card slot 1 for optimal cable-routing. See Figure 6-2 for the location of expansion card slot 1.

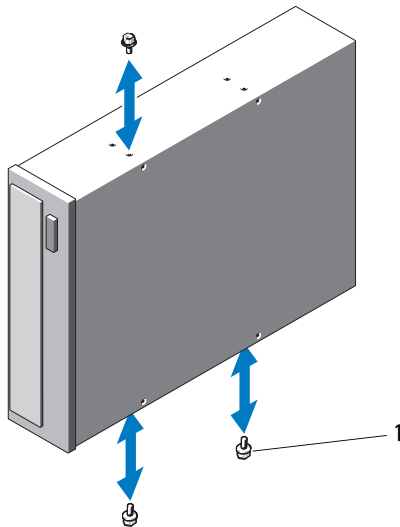
Configure the tape drive according to the documentation that came with the tape drive, based on the following guidelines:

- a Each device attached to a SCSI host adapter must have a unique SCSI ID number (narrow SCSI devices use IDs 0 to 7; wide SCSI devices use IDs from 0 to 15). Set the drive's SCSI ID to avoid conflicts with other devices on the SCSI bus. For the default SCSI ID setting, see the documentation provided with the drive.
-  **NOTE:** There is no requirement that SCSI ID numbers be assigned sequentially or that devices be attached to the cable in order by ID number.
- b SCSI logic requires that the two devices at opposite ends of a SCSI chain be terminated and that all devices in between be unterminated. Therefore, you enable the tape drive's termination if it is the last device in a chain of devices (or sole device) connected to the SCSI controller.
- 2 Turn off the system, including any attached peripherals, and disconnect the system from the electrical outlet.
  - 3 Open the system. See "Opening the System" on page 47.
  - 4 Remove the front drive bezel. See "Removing the Front Drive Bezel" on page 49.



- 5 If another drive is installed, remove it (see "Removing an Optical or Tape Drive" on page 57) and remove the three shoulder screws to attach to the new drive (see Figure 3-11).
- 6 If the drive bay is empty, remove the insert on the front drive bezel. See "Removing an Insert on the Front Drive Bezel" on page 50.
- 7 Remove the three shoulder screws from the insert, and attach one of them to the row of holes and two to the bottom row of holes on the drive. See Figure 3-11.

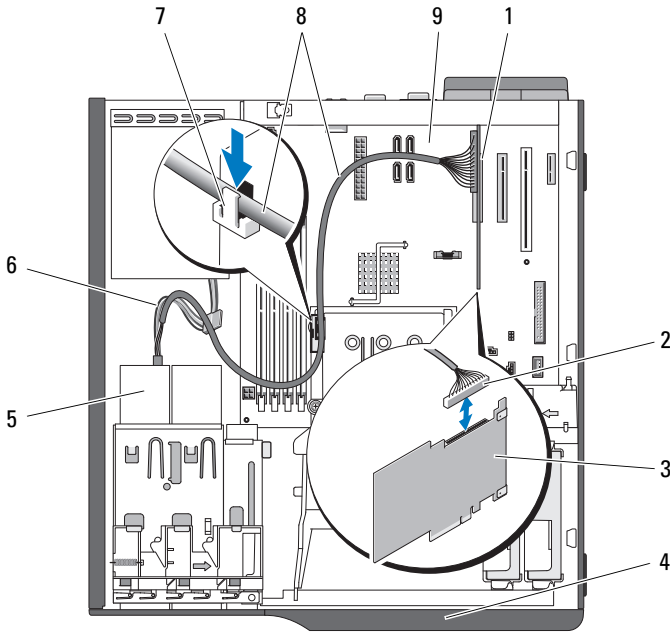
**Figure 3-11. Installing Optical or Tape Drive Shoulder Screws**



1 screws (3)

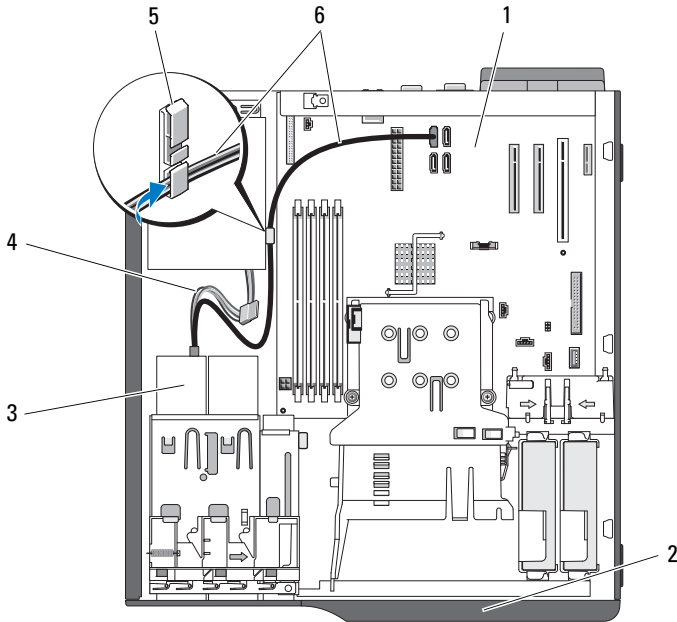
- 8 Gently slide the drive into place until you hear a click or feel the drive securely installed.
- 9 Attach the SCSI power cable (see Figure 3-12) or SATA power cable (see Figure 3-13) to the drive. Ensure that cables are secured in their respective clips.

**Figure 3-12. Cabling SCSI to the Tape Drive**



- |   |                              |   |                          |
|---|------------------------------|---|--------------------------|
| 1 | expansion slot 1             | 2 | SCSI connector           |
| 3 | SCSI card                    | 4 | front drive bezel        |
| 5 | tape drive                   | 6 | SATA power convert cable |
| 7 | top clip on heat sink shroud | 8 | SCSI cable               |
| 9 | system board                 |   |                          |

**Figure 3-13. Cabling a SATA Controller to the Optical Disk Drive**



- |   |                    |   |                         |
|---|--------------------|---|-------------------------|
| 1 | system board       | 2 | front drive bezel       |
| 3 | optical disk drive | 4 | SATA power cable        |
| 5 | cable clip         | 6 | SATA optical disk cable |

- 10** Attach the data cable. If you are installing a SCSI tape drive, connect the SCSI interface cable in the drive kit from the SCSI controller card to the drive. See Figure 3-12.
- 11** Check all cable connections, and fold cables out of the way to allow for airflow between the fan and cooling vents.
- 12** Replace the front drive bezel. See "Replacing the Front Drive Bezel" on page 49.
- 13** Close the system. See "Closing the System" on page 47.
- 14** Reconnect the system to the electrical outlet, and turn on the system and attached peripherals.

- 15 (Optional) Test the drive by running the system diagnostics. See "Running the System Diagnostics" on page 131.

## Hard Drives



**NOTE:** The system’s drive configuration must consist of all SATA hard drives or all SAS hard drives.

### Hard Drive Installation Guidelines

Your system contains up to two SATA or SAS hard drives in internal drive bays. Both drives must be either SAS or SATA; mixed configurations are not supported. Up to two SATA drives may be connected to the system’s integrated SATA controller or to an optional SAS controller expansion card. Up to two SAS drives may be connected to an optional SAS controller expansion card. Table 3-1 describes the possible drive configurations.

**Table 3-1. Hard-Drive Configurations**

Drive Number	Drive Type	Location	Controller	Connector
1	SATA	HDD0	integrated SATA controller	SATA_A
			SAS expansion card	HDD0
1	SAS	HDD0	SAS expansion card	HDD0
2	SATA	HDD1	integrated SATA	SATA_B
			SAS expansion card	HDD1
2	SAS	HDD1	SAS expansion card	HDD1

### Removing a Hard Drive

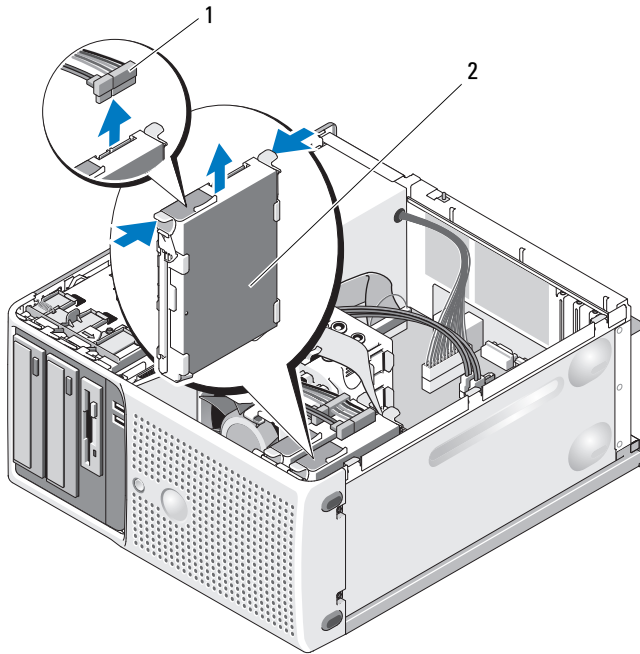


**CAUTION:** Many repairs may only be done by a certified service technician. You should only perform troubleshooting and simple repairs as authorized in your product documentation, or as directed by the online or telephone service and support team. Damage due to servicing that is not authorized by Dell is not covered by your warranty. Read and follow the safety instructions that came with the product.

- 1 Turn off the system and attached peripherals, and disconnect the system from the electrical outlet.

- 2 Open the system. See "Opening the System" on page 47.
- 3 Disconnect the hard drive power cable from the hard drive that you are removing.
- 4 Disconnect the blue data cable from the hard drive that you are removing by pulling up on the blue tab.
- 5 Press the blue tabs on each side of the hard-drive bracket toward each other and slide the drive and its bracket up and out of the bay. See Figure 3-14.

**Figure 3-14. Removing and Installing a Hard Drive in the Drive Carrier**



1 hard drive power cable

2 hard drive in primary hard drive bay



**NOTE:** If you do not intend to replace the drive, it is highly recommended that you remove the drive from the guide bracket (see Figure 3-15) and insert the empty guide bracket back into the drive bay. This eliminates the likelihood that the empty bracket will be misplaced or improperly stored while not in use.

- 6 Close the system. See "Closing the System" on page 47.
- 7 Reconnect the system to the electrical outlet, and turn on the system and attached peripherals.

## Installing a Hard Drive



**CAUTION: Many repairs may only be done by a certified service technician. You should only perform troubleshooting and simple repairs as authorized in your product documentation, or as directed by the online or telephone service and support team. Damage due to servicing that is not authorized by Dell is not covered by your warranty. Read and follow the safety instructions that came with the product.**

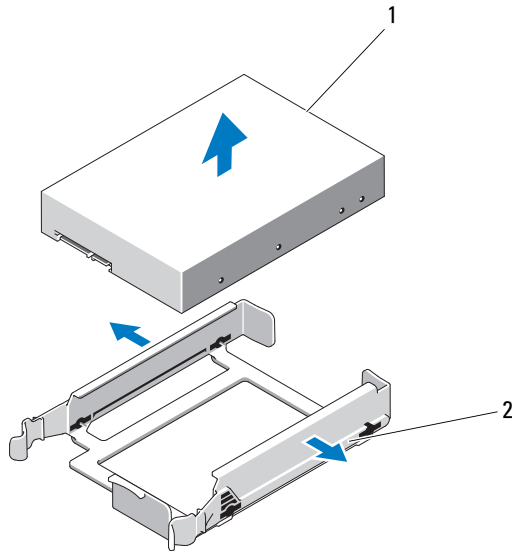
- 1 Unpack the replacement hard drive and prepare it for installation.
- 2 Check the documentation for the hard drive to verify that the drive is configured for your system.
- 3 Turn off the system and attached peripherals, and disconnect the system from the electrical outlet.
- 4 Open the system. See "Opening the System" on page 47.
- 5 If you are replacing a hard drive, remove the drive that you are replacing (see "Removing a Hard Drive" on page 64).

If there is a hard-drive bracket in the empty hard-drive bay, remove the bracket by pressing the two tabs toward each other and pulling it up and out of the drive bay.

If a replacement hard drive does not have the hard-drive bracket attached, remove the bracket from the old drive.

- 6 Snap the new drive into the guide bracket. See Figure 3-15.
- 7 Insert the guide bracket assembly into the drive bay until it snaps into place. See Figure 3-14.

**Figure 3-15. Installing a Hard Drive in a Drive Bracket**



1 hard drive

2 hard drive bracket

**➡ NOTICE:** SAS drives and SATA drives cannot be mixed in the system. The drives must be either SATA or SAS hard drives.

**🔧 NOTE:** The SAS controller card must be installed in either PCIe SLOT1 or PCIe SLOT2. See Figure 6-2.

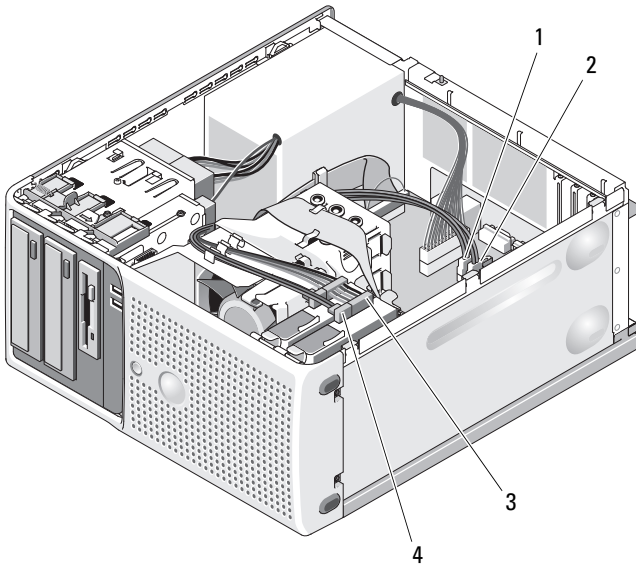
**8** Connect the power cable to the hard drive.

**9** Connect the data cable to the hard drive:

- For connection to the integrated SATA controller (SATA hard drives only), connect the SATA data cable to the SATA\_A (first drive) and SATA\_B (second drive) connectors on the system board. See Figure 3-16. See Figure 6-2 for the location of the hard drive connectors on the system board.

- For connection to a SAS controller expansion card (SAS or SATA hard drives), connect the data cable from the SAS controller card and the power cable as shown in Figure 3-17. See "SAS Controller Expansion Card" on page 74 for instructions about installing the card and routing the cables.

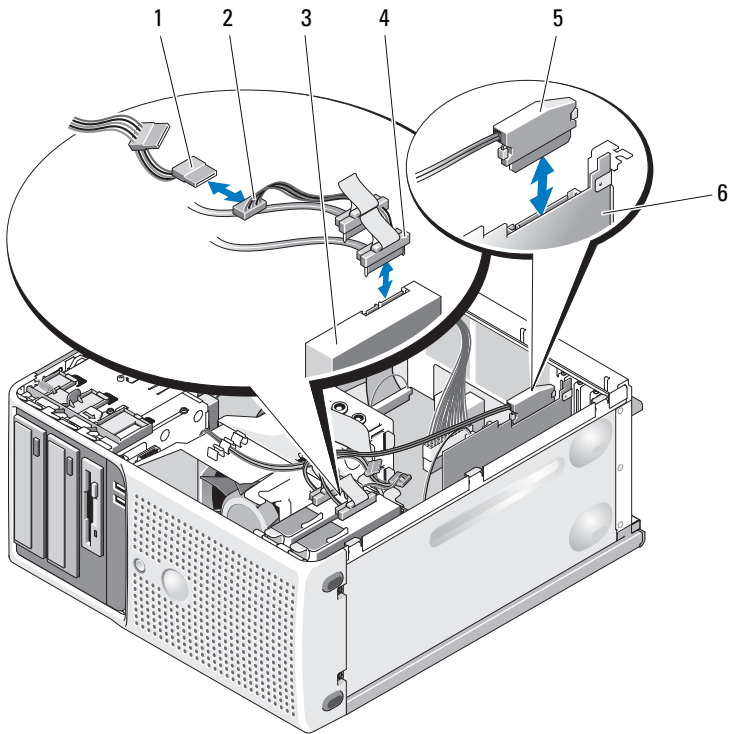
**Figure 3-16. Cabling a SATA Hard Drive to the Integrated SATA Controller**



- |   |                                   |   |                                   |
|---|-----------------------------------|---|-----------------------------------|
| 1 | SATA_B data cable to system board | 2 | SATA_A data cable to system board |
| 3 | power cable to hard drive         | 4 | SATA data cable to hard drive     |



**Figure 3-17. Attaching a SAS or SATA Hard Drive to a SAS Controller Expansion Card**



- |   |                                    |   |                                  |
|---|------------------------------------|---|----------------------------------|
| 1 | power cable to hard drive (female) | 2 | power cable to hard drive (male) |
| 3 | SAS or SATA hard drives (2)        | 4 | data cable to hard drive         |
| 5 | data cable to SAS controller card  | 6 | SAS controller card              |

- 10** Ensure that all connectors are properly cabled and firmly seated.
- 11** Close the system. See "Closing the System" on page 47.
- 12** Reconnect the system to the electrical outlet, and turn on the system and attached peripherals.

See the documentation that came with the drive for instructions on installing any software required for drive operation.

- 13 Press <F2> to enter the System Setup program (see "Entering the System Setup Program" on page 29), and ensure that the drive's controller is enabled.
- 14 Exit the System Setup program and reboot the system.
- 15 Partition and logically format the drive.  
See the documentation for your operating system for instructions.
- 16 (Optional) Test the hard drive by running the system diagnostics. See "Running the System Diagnostics" on page 131.
- 17 If the drive you just installed is the primary drive, install your operating system on the hard drive.

## Expansion Cards

The system board can accommodate up to four expansion cards:

- One 3.3-V, half-length 32-bit, 33-MHz PCI (slot 3)
- One PCIe x1 (slot 4)
- One PCIe x4 with x8 slot (slot 1)
- One PCIe x8 (slot 2)

See Figure 6-2 for the location of the expansion card slots.

### Removing an Expansion Card



**CAUTION: Many repairs may only be done by a certified service technician. You should only perform troubleshooting and simple repairs as authorized in your product documentation, or as directed by the online or telephone service and support team. Damage due to servicing that is not authorized by Dell is not covered by your warranty. Read and follow the safety instructions that came with the product.**

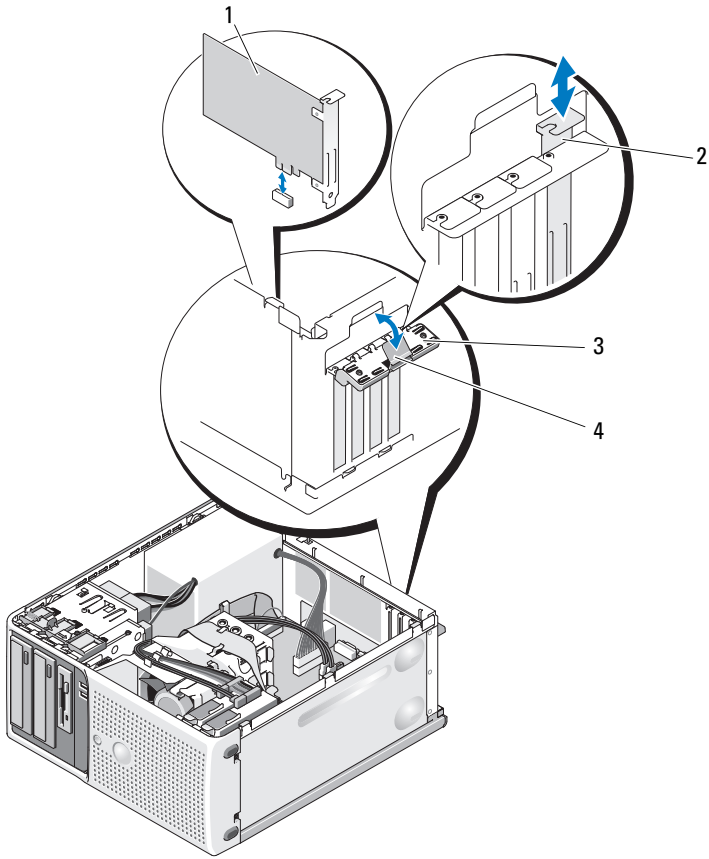
- 1 Turn off the system and attached peripherals, and disconnect the system from the electrical outlet.
- 2 Open the system. See "Opening the System" on page 47.
- 3 On the inside of the chassis, press the release tab of the card retention door, and then pull down on the retention door's latch on the outside of the chassis to open the door. See Figure 3-18.
- 4 If necessary, disconnect any cables from the card.

- 5 Grasp the card by its top corners and ease it out of its connector.
- 6 If you are removing the card permanently, install a filler bracket in the empty card slot.



**NOTE:** Filler brackets must be installed over empty expansion card slots to maintain Federal Communications Commission (FCC) certification of the system. The brackets also keep dust and dirt out of the system and aid in proper cooling and airflow inside the system.

**Figure 3-18. Removing and Installing an Expansion Card**



- |   |                     |   |                 |
|---|---------------------|---|-----------------|
| 1 | expansion card      | 2 | alignment guide |
| 3 | card retention door | 4 | release tab     |

- 7 Close the card retention door to secure the remaining card(s) in the system. See Figure 3-18.
- 8 Close the system. See "Closing the System" on page 47.
- 9 Reconnect the system to the electrical outlet, and turn on the system and attached peripherals.
- 10 Remove the card's device driver from the operating system.

## Installing an Expansion Card



**CAUTION:** Many repairs may only be done by a certified service technician. You should only perform troubleshooting and simple repairs as authorized in your product documentation, or as directed by the online or telephone service and support team. Damage due to servicing that is not authorized by Dell is not covered by your warranty. Read and follow the safety instructions that came with the product.

- 1 Turn off the system and attached peripherals, and disconnect the system from the electrical outlet.
- 2 Open the system. See "Opening the System" on page 47.
- 3 On the inside of the chassis, press the release tab of the card retention door, and then pull down on the retention door's latch on the outside of the chassis to open the door. See Figure 3-18.
- 4 If you are installing a new card, remove the filler bracket.



**NOTE:** Keep this bracket in case you need to remove the expansion card. Filler brackets must be installed over empty expansion-card slots to maintain FCC certification of the system. The brackets also keep dust and dirt out of the system and aid in proper cooling and airflow inside the system.

- 5 Prepare the card for installation.

See the documentation that came with the card for information on configuring the card, making internal connections, or otherwise customizing it for your system.



**NOTE:** Some NICs automatically start the system when they are connected to a network.

- 6 Insert the card into the expansion card connector on the system board (SLOT1, SLOT2, SLOT3, or SLOT4) and press down firmly. Ensure that the card is fully seated in the slot and all cards and filler brackets are flush with the alignment bar. See Figure 6-2 for the location of the four expansion card connectors.
- 7 Close the card retention door to secure the card(s) in the system.



**NOTICE:** Do not route card cables over or behind the cards. Cables routed over the cards can prevent the system cover from closing properly or cause damage to the equipment.

- 8 Connect any cables that should be attached to the card.

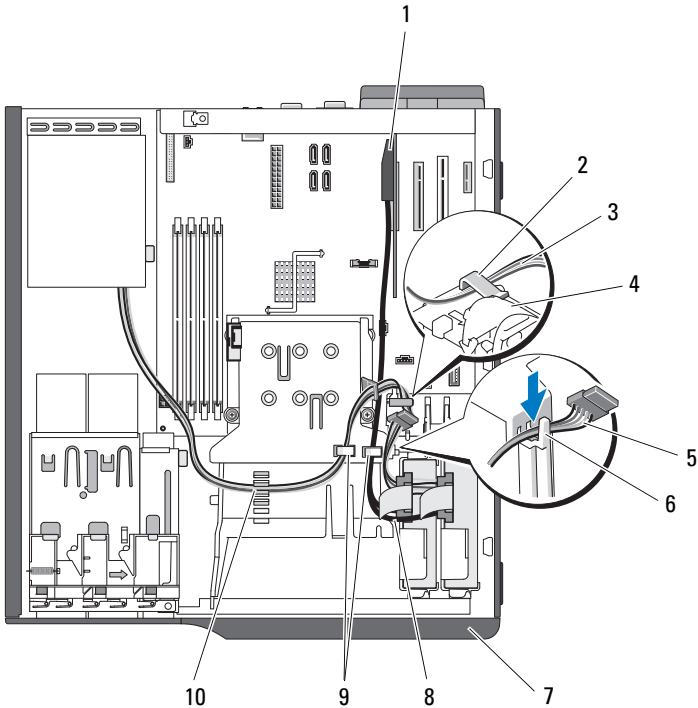
See the documentation for the card for information about the card's cable connections.

- 9** Close the system. See "Closing the System" on page 47.
- 10** Reconnect the system to the electrical outlet, and turn on the system and attached peripherals.
- 11** Install any device drivers required for the card as described in the documentation for the card.

### **SAS Controller Expansion Card**

Read the installation instructions in the documentation for your SAS controller card. Install the card in expansion card connector SLOT1 or SLOT2 (see "Installing an Expansion Card" on page 73), and connect the hard-drive activity indicator cable from the card to the AUXLED connector on the system board (see Figure 6-2 for the connector location). Fasten the cables to the slots as indicated in Figure 3-19 to manage the slack.

**Figure 3-19. Cabling a SAS or SATA Hard Drive to a SAS Controller Expansion Card**



- |   |   |    |   |
|---|---|----|---|
| 1 | SAS card                                  | 2  | clip on hard disk drive fan shroud        |
| 3 | power cable                               | 4  | hard disk drive fan                       |
| 5 | power cable                               | 6  | top notch on heat sink fan shroud         |
| 7 | front drive bezel                         | 8  | SAS cable                                 |
| 9 | retaining tabs on top of heat sink shroud | 10 | retaining clip on top of heat sink shroud |

See "Hard Drives" on page 64 for information about connecting hard drives.

# Memory

The four memory module connectors on the system board can accommodate from 512 MB to 8 GB of 667-MHz and 800-MHz unbuffered ECC DDR II single or dual-rank memory modules. See Figure 6-2 for the location of the four memory module connectors.



**NOTE:** When installing memory, take care to install it in the proper slots according to the configuration guidelines in Table 3-2. Installing memory in the wrong slots will significantly reduce system performance. See Figure 6-2 for slot locations.

## Memory Module Upgrade Kits

The system is upgradable to 8 GB by installing combinations of 512-MB, 1-GB, and 2-GB 667-MHz or 800-MHz unbuffered ECC DDR II single or dual-rank memory modules. You can purchase memory upgrade kits from Dell.

## Memory Module Installation Guidelines

- If only one memory module is installed, it must be installed in connector DIMM\_1A.
- If only one memory module is installed in connector DIMM\_1A, its capacity can be 512 MB, 1 GB, or 2 GB.
- If more than one memory module is installed, the memory modules must be installed in pairs of matched memory size, speed, and technology.
- Memory modules must be installed in ordered pairs in connectors DIMM\_1A and DIMM\_1B, and then DIMM\_2A and DIMM\_2B.
- Installing three memory modules is not supported.



**NOTICE:** If you remove your original memory modules from the system during a memory upgrade, keep them separate from any new memory modules that you may have, even if you purchased the new memory modules from Dell. Use only unbuffered ECC DDR II memory modules.

Table 3-2 illustrates memory configuration guidelines. It is important to follow the slot installation configurations shown here to achieve maximum memory performance.



**Table 3-2. Memory Configuration Guidelines**

<b>Total Memory</b>	<b>DIMM_1A</b>	<b>DIMM_1B</b>	<b>DIMM_2A</b>	<b>DIMM_2B</b>
512 MB	512 MB	none	none	none
1 GB	1 GB	none	none	none
2 GB	2 GB	none	none	none
1 GB	512 MB	512 MB	none	none
2 GB	512 MB	512 MB	512 MB	512 MB
2 GB	1 GB	1 GB	none	none
3 GB	1 GB	1 GB	512 MB	512 MB
3 GB	512 MB	512 MB	1 GB	1 GB
4 GB	2 GB	2 GB	none	none
4 GB	1 GB	1 GB	1 GB	1 GB
5 GB	2 GB	2 GB	512 MB	512 MB
5 GB	512 MB	512 MB	2 GB	2 GB
6 GB	2 GB	2 GB	1 GB	1 GB
6 GB	1 GB	1 GB	2 GB	2 GB
8 GB	2 GB	2 GB	2 GB	2 GB

### **Addressing Memory With 8-GB Configurations (Microsoft® Windows® Operating System Only)**

Your system supports a maximum of 8 GB of memory using four 2-GB memory modules. Current operating systems can use a maximum of 8 GB of address space; however, the amount of memory available to the operating system is slightly less than 8 GB.



**NOTE:** Depending on the type of PCI/PCIe expansion cards that are installed in your system, your system may only support a maximum of 7.4 GB of memory or less.

The following components require address space:


- System ROM
- Advanced Programmable Interrupt Controllers (APIC)

- Integrated PCI devices (such as NICs) and SCSI controllers
- PCI expansion cards

At start-up, the BIOS identifies the components that require address space. The BIOS dynamically calculates the amount of reserved address space required. The BIOS then subtracts the reserved address space from 8 GB to determine the amount of usable space.

- If the total installed system memory is less than the usable space, all installed system memory is available for use only by the operating system.
- If the total installed system memory is equal to or greater than the usable address space, a small portion of installed memory is available for use by the operating system.


## Removing a Memory Module

 **CAUTION: Many repairs may only be done by a certified service technician. You should only perform troubleshooting and simple repairs as authorized in your product documentation, or as directed by the online or telephone service and support team. Damage due to servicing that is not authorized by Dell is not covered by your warranty. Read and follow the safety instructions that came with the product.**

- 1 Turn off the system and attached peripherals, and disconnect the system from the electrical outlet.
- 2 Open the system. See "Opening the System" on page 47.
- 3 Press out on the securing clip at each end of the memory module connector. See Figure 3-20.
- 4 Grasp the memory module and pull it out of the connector.

If the module is difficult to remove, gently move the module back and forth to remove it from the connector.

## Installing a Memory Module

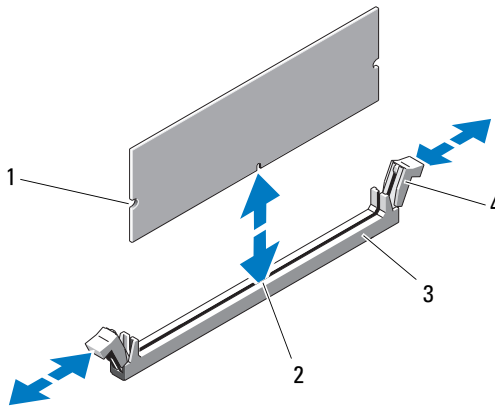
 **CAUTION: Many repairs may only be done by a certified service technician. You should only perform troubleshooting and simple repairs as authorized in your product documentation, or as directed by the online or telephone service and support team. Damage due to servicing that is not authorized by Dell is not covered by your warranty. Read and follow the safety instructions that came with the product.**

- 1 Turn off the system and attached peripherals, and disconnect the system from the electrical outlet.
- 2 Open the system. See "Opening the System" on page 47.
- 3 Press on the securing clip at each end of the memory module connector. See Figure 3-20.
- 4 Align the memory module's edge connector with the alignment key in the connector.

The memory module connector has an alignment key that allows the memory module to be installed in the connector in only one way.

- 5 Applying even pressure to both ends of the module, insert the module into the connector and carefully press the module into place.

**Figure 3-20. Installing and Removing a Memory Module**



- |   |               |   |                                   |
|---|---------------|---|-----------------------------------|
| 1 | memory module | 2 | alignment key                     |
| 3 | connector     | 4 | memory module socket ejectors (2) |

- 6 Pull up on the securing clips to lock the module into place.

If you insert the module correctly, the securing clips snap into the cutouts at each end of the module.

When the memory module is properly seated in the connector, the securing clips on the memory module socket should align with the securing clips on the other connectors with memory modules installed.

- 7 Close the system. See "Closing the System" on page 47.
- 8 Reconnect the system to the electrical outlet, and turn on the system and attached peripherals.

The system detects that the new memory does not match the existing configuration information and generates the following message:

```
The amount of system memory has changed.  
Strike the F1 key to continue, F2 to run the setup  
utility
```

- 9 Press <F2> to enter the System Setup program and check the value for **Memory Information**. See "System Setup Options" on page 30.


The system should have changed the value for **Memory Information** to reflect the newly installed memory. Verify the new value. If it is correct, skip to step 13.


- 10 If the memory value is incorrect, turn off the system and attached peripherals, and disconnect the system from the electrical outlet.
- 11 Open the system. See "Opening the System" on page 47.
- 12 Ensure that the installed memory modules are seated properly in their connectors, and repeat step 7 through step 9.
- 13 When the **Memory Information** value is correct, press <Esc> to exit the System Setup program.
- 14 Run the system diagnostics to verify that the memory modules are operating properly. See "Running the System Diagnostics" on page 132.

## Microprocessor

You can upgrade the system processor to take advantage of future options in speed and functionality. The processor and its associated internal cache memory are contained in a land grid array (LGA) package that is installed in a ZIF socket on the system board.

## Removing the Processor

 **CAUTION:** Many repairs may only be done by a certified service technician. You should only perform troubleshooting and simple repairs as authorized in your product documentation, or as directed by the online or telephone service and support team. Damage due to servicing that is not authorized by Dell is not covered by your warranty. Read and follow the safety instructions that came with the product.

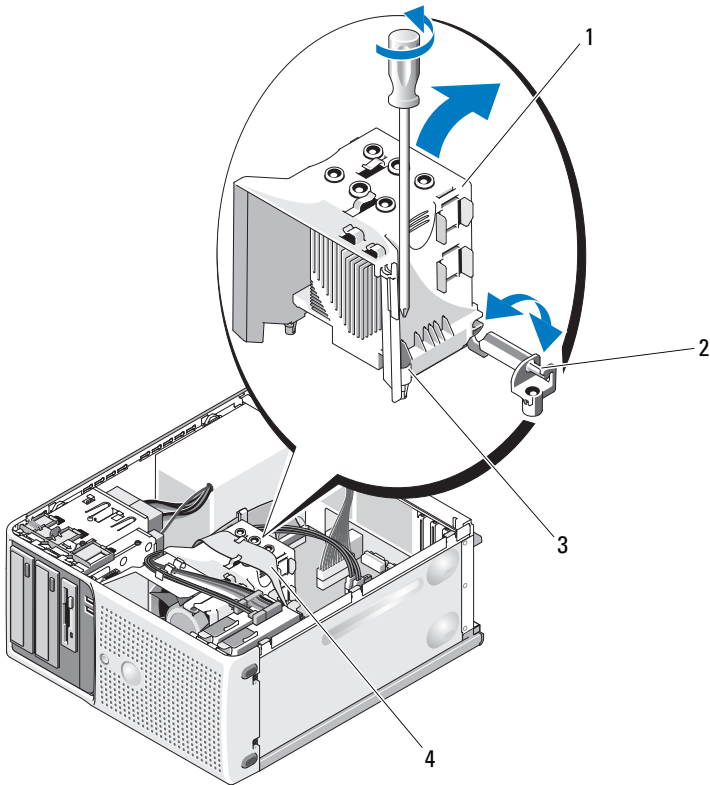
 **CAUTION:** The processor and heat sink can get very hot during normal operation. Ensure that they have had sufficient time to cool before you touch them.

- 1 Turn off the system and attached peripherals, and disconnect the system from the electrical outlet.
- 2 Open the system. See "Opening the System" on page 47.
- 3 Detach the diskette cable that is braced on top of the shroud assembly and move it aside.
- 4 Using a #2 Phillips screwdriver, loosen the two captive screws holding the heat sink and shroud assembly in place.

These captive screws are adjacent to the processor cooling fan housing. See Figure 3-21.

- 5 Tilt the heat sink and shroud assembly away from the fan housing on its pivot bracket and lift it out.

**Figure 3-21. Installing and Removing the Heat Sink**

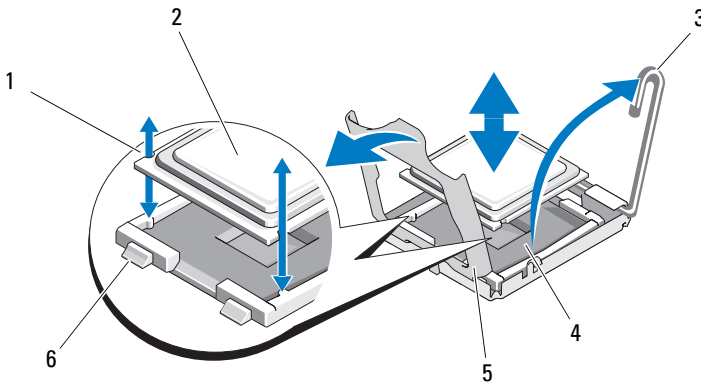


- |   |                               |   |                |
|---|-------------------------------|---|----------------|
| 1 | heat sink and shroud assembly | 2 | pivot bracket  |
| 3 | captive screws (2)            | 4 | diskette cable |

- 6 Release the socket-release lever before opening the processor shield. See Figure 3-22.
- 7 Rotate the processor shield upward and out of the way.
- 8 Lift the processor out of the socket and leave the release lever up so that the socket is ready for the new processor.

**NOTICE:** Be careful not to bend any of the pins on the ZIF socket when removing the processor. Bending the pins can permanently damage the system board.

**Figure 3-22. Installing and Removing a Processor**



- |   |                        |   |                |
|---|------------------------|---|----------------|
| 1 | notch in processor (2) | 2 | processor      |
| 3 | socket-release lever   | 4 | ZIF socket     |
| 5 | processor shield       | 6 | socket key (2) |

## Replacing the Processor


- 1 Unpack the new processor.
- 2 Align the processor with the socket keys on the ZIF socket. See Figure 3-22.
- 3 Install the processor in the socket.

**➡ NOTICE:** Positioning the processor incorrectly can permanently damage the system board or the processor when you turn it on. When placing the processor in the socket, be careful not to bend the pins in the socket. Avoid touching the socket pins or the pads on the processor when handling the processor or the system board.

- a If the release lever on the processor socket is not positioned all the way up, move it to that position.
- b With the processor and the socket keys aligned, set the processor lightly in the socket.

**➡ NOTICE:** Do not use force to seat the processor. When the processor is positioned correctly, it engages easily into the socket.

- c Close the processor shield. See Figure 3-22.

- d When the processor is fully seated in the socket, rotate the socket release lever back down until it snaps into place, securing the processor. See Figure 3-22.
- 4 Clean the thermal grease from the bottom of the heat sink.
-  **NOTICE:** Ensure that you apply new thermal grease. Applying new thermal grease is critical to ensuring proper thermal bonding as well as optimal processor operation.
- 5 Apply new thermal grease to the top of the processor.
- 6 Place the heat sink assembly back onto the heat sink assembly bracket and tilt the heat sink assembly down on the system board. See Figure 3-21.
- 7 Align the two captive screws properly with the system board, then tighten them to secure the heat sink assembly to the system board.
- 8 Close the system. See "Closing the System" on page 47.
- 9 Reconnect the system to the electrical outlet, and turn on the system and attached peripherals.

## Cooling Fans

The system contains two cooling fans, one for the processor and one for the card cage. Each contains a shroud that is part of the cooling fan assembly. The fan and shroud are replaced as a unit.



**NOTE:** If you are removing the larger processor cooling fan, you must first remove the heat sink and shroud assembly. See "Removing the Processor" on page 81 (however, do not remove the processor) and Figure 3-24.

### Removing the Cooling Fans



**CAUTION:** Many repairs may only be done by a certified service technician. You should only perform troubleshooting and simple repairs as authorized in your product documentation, or as directed by the online or telephone service and support team. Damage due to servicing that is not authorized by Dell is not covered by your warranty. Read and follow the safety instructions that came with the product.

- 1 Turn off the system and attached peripherals, and disconnect the system from the electrical outlet.
- 2 Open the system. See "Opening the System" on page 47.



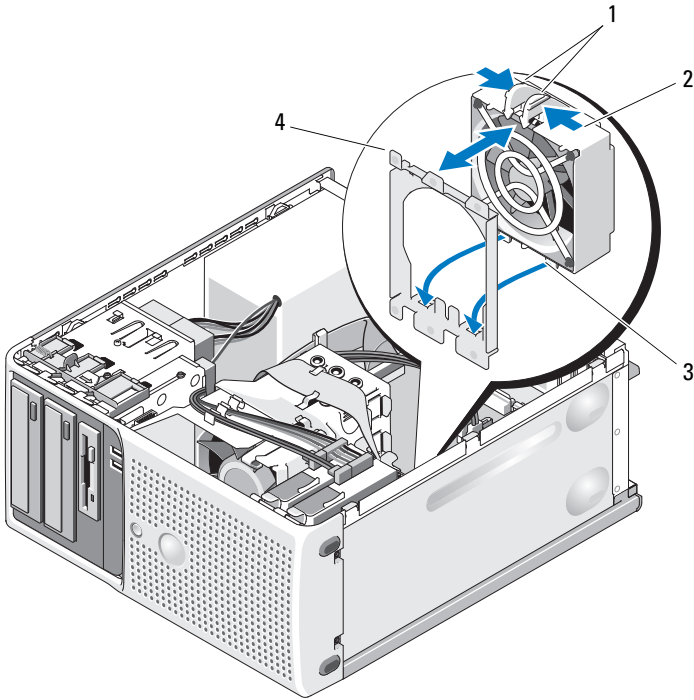
- 3** Disconnect the fan's power cable from the system board.
  - a** If you are removing the smaller hard drive cooling fan (see Figure 3-23):
  - b** Squeeze the two release tabs together at the top of the fan cage that attaches the fan to the chassis bracket mount.
  - c** Lift the fan out.



**NOTE:** The SAS hard drive cooling fan is present only if a SAS 6i/R integrated controller card is installed.

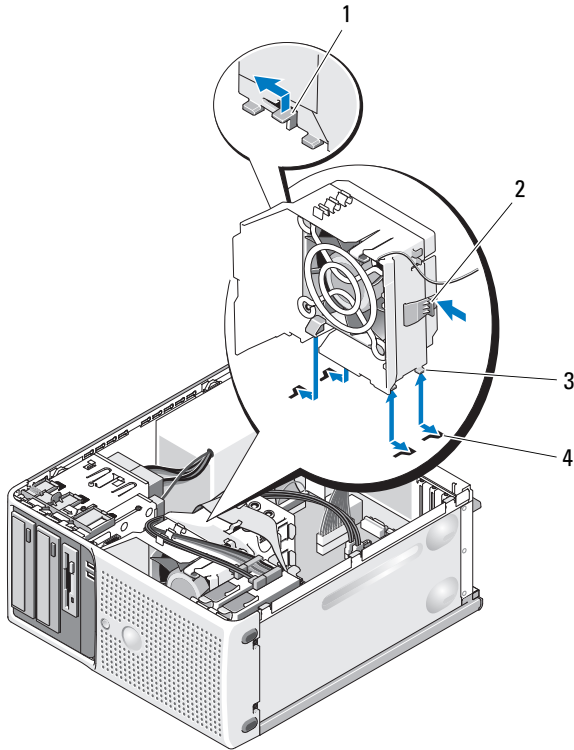
- 4** If you are removing the larger processor cooling fan:
  - a** Remove the heat sink and shroud assembly. See "Removing the Processor" on page 81. Do not remove the processor, however.
  - b** Press the side release tab that attaches the processor cooling fan to the chassis (see Figure 3-24).
  - c** Press the bottom release tab and shift it forward to guide the bottom mounting tabs out of their mounting holes (see Figure 3-24).
  - d** Slide the fan toward the back panel and lift the fan out.

**Figure 3-23. Removing and Installing the SAS Controller Cooling Fan**



- |   |                      |   |               |
|---|----------------------|---|---------------|
| 1 | top release tabs     | 2 | cooling fan   |
| 3 | bottom mounting tabs | 4 | bracket mount |

**Figure 3-24. Removing and Installing the Heat Sink Cooling Fan**



- |   |                      |   |                       |
|---|----------------------|---|-----------------------|
| 1 | bottom release tab   | 2 | side release tab      |
| 3 | bottom mounting tabs | 4 | bottom mounting holes |

## Replacing the Cooling Fans

**⚠ CAUTION:** Many repairs may only be done by a certified service technician. You should only perform troubleshooting and simple repairs as authorized in your product documentation, or as directed by the online or telephone service and support team. Damage due to servicing that is not authorized by Dell is not covered by your warranty. Read and follow the safety instructions that came with the product.

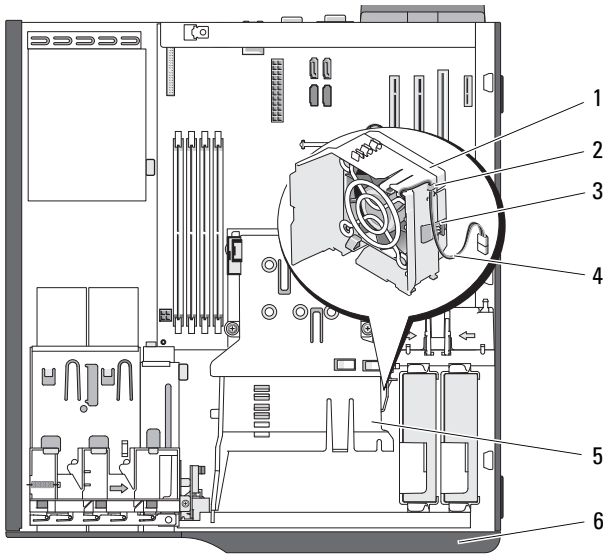
If you are replacing the hard drive cooling fan:

- 1** Align the bottom mounting tabs on the replacement fan with the mounting holes in the system chassis.
- 2** Squeeze the top two release tabs and guide the assembly forward so that it locks into place.

If you are replacing the processor cooling fan:

- 1** Align the bottom mounting tabs on the replacement fan with the mounting holes in the system chassis. Align the slots on the side of the replacement fan with the securing tabs on the chassis bracket mount.
- 2** Slide the fan toward the front panel until it snaps into place.
- 3** Secure the cables into the slots on the heat sink fan shroud to manage unwanted slack. See Figure 3-25.
- 4** Attach the fan cable to the system board. See Figure 6-2 for the location of the connector.

**Figure 3-25. Cabling the Heat Sink Cooling Fan**



- |   |                      |   |                     |
|---|----------------------|---|---------------------|
| 1 | heat sink fan shroud | 2 | cable slot          |
| 3 | tab                  | 4 | fan connector cable |
| 5 | heat sink fan        | 6 | front drive bezel   |


- 5 Replace the heat sink and shroud assembly (see "Removing the Processor" on page 81).
- 6 Reconnect the fan power cable to the system board.
- 7 Close the system. See "Closing the System" on page 47.

## System Battery


A coin-cell battery maintains system configuration, date, and time information. The battery can last several years.

To determine whether you need to replace the battery, see "Troubleshooting the System Battery" on page 114.

You can operate your system without a battery; however, without a battery, the configuration information is erased if the system is turned off or unplugged from the electrical outlet. In this case, you must enter the System Setup program and reset the configuration options.

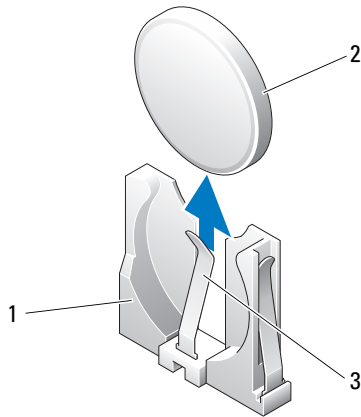
 **CAUTION: A new battery can explode if it is incorrectly installed. Replace the battery only with the same or equivalent type recommended by the manufacturer. Discard used batteries according to the manufacturer's instructions.**

## Removing the System Battery

 **CAUTION: Many repairs may only be done by a certified service technician. You should only perform troubleshooting and simple repairs as authorized in your product documentation, or as directed by the online or telephone service and support team. Damage due to servicing that is not authorized by Dell is not covered by your warranty. Read and follow the safety instructions that came with the product.**


- 1 Enter the System Setup program and record the option settings on the System Setup screens. See "Using the System Setup Program" on page 29.
- 2 Turn off the system, including any attached peripherals, and disconnect the system from the electrical outlet.
- 3 Open the system. See "Opening the System" on page 47.
- 4 See Figure 6-2 for the location of the system battery and then remove any cables that block access to the battery.
- 5 Grasp the battery with your fingers and pull it out of the battery socket. See Figure 3-26.

**Figure 3-26. Removing and Installing the System Battery**



- 1 battery socket
- 2 system battery
- 3 tab


### **Installing the System Battery**

- 1 Push the new battery into the battery socket as shown in Figure 3-26.
  -  **NOTE:** The side of the battery labeled "+" (plus sign) must face toward the open side of the battery socket.
- 2 Close the system. See "Closing the System" on page 47.
- 3 Reconnect the system to the electrical outlet and turn on the system and attached peripherals.
- 4 Enter the System Setup program to confirm that the battery operates properly. See "Using the System Setup Program" on page 29.
- 5 From the main screen, select **System Time** to enter the correct time and date.
- 6 Re-enter any system configuration information that is no longer displayed on the System Setup screens, and then exit the System Setup program.
- 7 To test the newly installed battery, see "Troubleshooting the System Battery" on page 114.
- 8 After an hour, reconnect the system to a power source and turn it on.

- 9 Enter the System Setup program. If the time and date are still incorrect, see "Getting Help" on page 141.
- 10 Properly dispose of the old battery. For more information, see your *Product Information Guide*.

## Power Supply

### Removing the Power Supply

 **CAUTION:** Many repairs may only be done by a certified service technician. You should only perform troubleshooting and simple repairs as authorized in your product documentation, or as directed by the online or telephone service and support team. Damage due to servicing that is not authorized by Dell is not covered by your warranty. Read and follow the safety instructions that came with the product.

- 1 Turn off the system and attached peripherals, and disconnect the system from the electrical outlet.
- 2 Open the system. See "Opening the System" on page 47.
- 3 Depending on your system configuration, disconnect the power cables from the following components where applicable (see Figure 6-2 for connector locations):
  - PWR\_CONN connector on the system board
  - 12V connector on the system board
  - Hard drives
  - Diskette drive
  - Tape backup unit
  - Optical drives



**NOTE:** Note the routing of the DC power cables underneath the tabs in the system frame as you release the tabs and remove the cables from the system board and drives. You must route these cables properly when you replace them to prevent their being pinched or crimped.

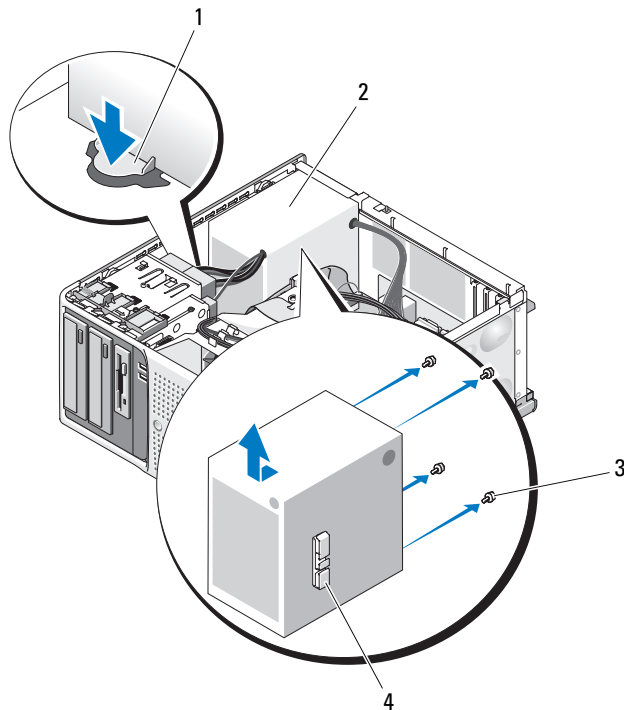
- 4 Remove the heat sink and shroud assembly. Loosen the two captive screws holding the heat sink and shroud assembly in place.

These captive screws are adjacent to the processor cooling fan housing. See Figure 3-21.



- 5 Tilt the heat sink and shroud assembly away from the fan housing and lift it out.
- 6 Remove the I/O panel and SATA cables (if present) attached to the routing clips on the side of the power supply.
- 7 Using a #2 Phillips screwdriver, remove the four Phillips screws that secure the power supply to the back panel.
- 8 Press the power-supply release tab down and slide the power supply toward the front of the system, then lift it out of the system chassis. See Figure 3-27.
- 9 Remove the cable clip and set it aside to attach to the new power supply.

**Figure 3-27. Removing the Power Supply**



- 1 power supply release tab
- 3 screws (4)

- 2 power supply
- 4 cable clip

## Installing the Power Supply

- 1 Attach the cable clip to the new power supply.
- 2 Align the power supply mounting holes with the mounting holes on the back panel.
- 3 Slide the power supply toward the back panel until it snaps into place over the power-supply release tab.
- 4 Using a #2 Phillips screwdriver, install the four Phillips screws that secure the power supply to the back panel.
- 5 Reattach the I/O panel and SATA cables (if present) to the routing clip on the side of the power supply.
- 6 Depending on your system configuration, connect the following power cables:
  - PWR\_CONN connector on the system board
  - 12V connector on the system board
  - Hard drives
  - Diskette drive
  - Tape backup unit
  - Optical drives
- 7 Close the system. See "Closing the System" on page 47.

## Chassis Intrusion Switch

### Removing the Chassis Intrusion Switch

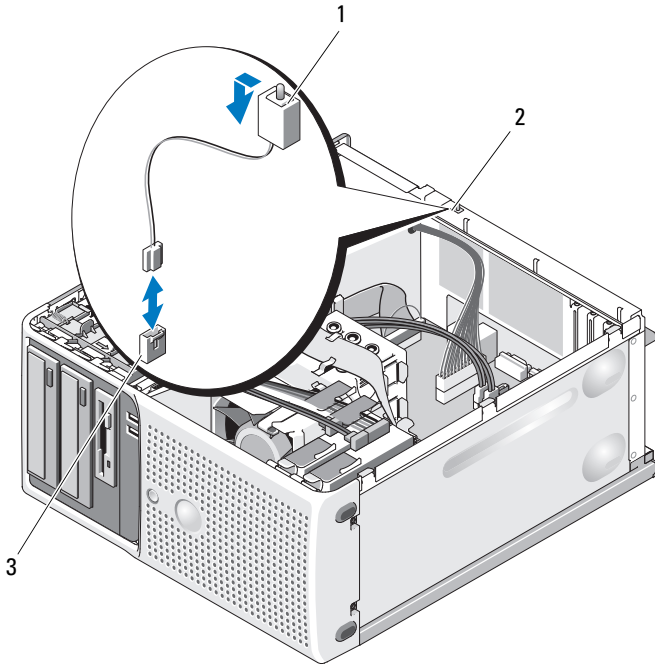


**CAUTION:** Many repairs may only be done by a certified service technician. You should only perform troubleshooting and simple repairs as authorized in your product documentation, or as directed by the online or telephone service and support team. Damage due to servicing that is not authorized by Dell is not covered by your warranty. Read and follow the safety instructions that came with the product.

- 1 Turn off the system and attached peripherals, and disconnect the system from the electrical outlet.
- 2 Open the system. See "Opening the System" on page 47.

- 3 Disconnect the chassis intrusion switch cable from the INTRUSION SWITCH connector on the system board. See Figure 3-28.
- 4 Slide the chassis intrusion switch out of the securing bracket notch. See Figure 3-28.
- 5 Remove the switch and its attached cable from the system.

**Figure 3-28. Removing and Installing the Chassis Intrusion Switch**



- |   |                            |   |                        |
|---|----------------------------|---|------------------------|
| 1 | chassis intrusion switch   | 2 | securing bracket notch |
| 3 | INTRUSION SWITCH connector |   |                        |

### **Installing the Chassis Intrusion Switch**

- 1 Align the chassis intrusion switch with the securing bracket notch. See Figure 3-28.
- 2 Slide the switch into the securing bracket notch.

- 3 Connect the switch cable to the INTRUSION SWITCH connector on the system board.
- 4 Close the system. See "Closing the System" on page 47.
- 5 Reconnect the system to the electrical outlet, and turn on the system.

## Bezel

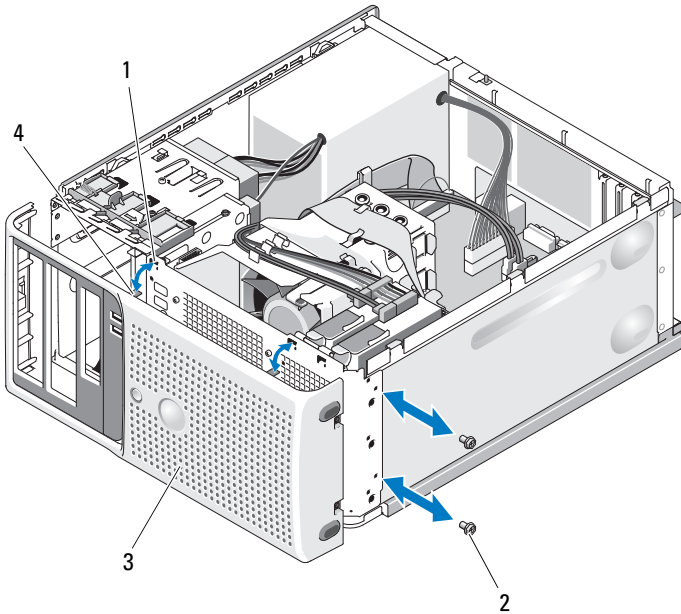
### Removing the Bezel



**CAUTION: Many repairs may only be done by a certified service technician. You should only perform troubleshooting and simple repairs as authorized in your product documentation, or as directed by the online or telephone service and support team. Damage due to servicing that is not authorized by Dell is not covered by your warranty. Read and follow the safety instructions that came with the product.**

- 1 Turn off the system and attached peripherals, and disconnect the system from the electrical outlet.
- 2 Open the system. See "Opening the System" on page 47.
- 3 Remove the heat sink and shroud assembly. See "Removing the Processor" on page 81. Do not remove the processor, however.
- 4 Remove the large processor cooling fan. See "Removing the Cooling Fans" on page 84.
- 5 Remove the two bezel release screws. See Figure 3-29.
- 6 Slide the bezel toward the top of the system, then lift it outward.

**Figure 3-29. Removing the Bezel**



- |   |                |   |                          |
|---|----------------|---|--------------------------|
| 1 | alignment slot | 2 | bezel release screws (2) |
| 3 | bezel          | 4 | alignment tab            |

### **Replacing the Bezel**

- 1 Align the bezel with the chassis frame and slide it into position.
- 2 Secure the alignment tabs into their alignment slots.
- 3 Attach the two bezel release screws to secure the bezel to the system chassis. See Figure 3-29.
- 4 Replace the processor fan. See "Replacing the Cooling Fans" on page 87.
- 5 Reinstall the heat sink and shroud assembly. See "Replacing the Processor" on page 83.
- 6 Close the system. See "Closing the System" on page 47.
- 7 Reconnect the system to the electrical outlet, and turn on the system.

# I/O Panel Assembly



**CAUTION:** Many repairs may only be done by a certified service technician. You should only perform troubleshooting and simple repairs as authorized in your product documentation, or as directed by the online or telephone service and support team. Damage due to servicing that is not authorized by Dell is not covered by your warranty. Read and follow the safety instructions that came with the product.

## Removing the I/O Panel Assembly

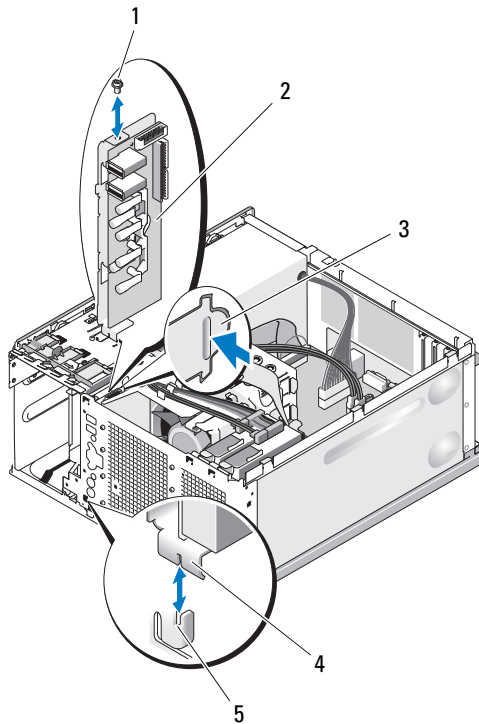
- 1 Turn off the system and attached peripherals, and disconnect the system from the electrical outlet.
- 2 Open the system. See "Opening the System" on page 47.
- 3 Remove the heat sink and shroud assembly. See "Removing the Processor" on page 81. Do not remove the processor, however.
- 4 Remove the processor cooling fan. See "Removing the Cooling Fans" on page 84.
- 5 Remove the front bezel. See "Removing the Bezel" on page 96.



**NOTICE:** Carefully note the routing of each cable before you disconnect it, so that you are sure to re-route cables correctly.

- 6 Disconnect the I/O panel ribbon cable from the I/O panel connector by pulling the yellow cable loop.
- 7 Remove the mounting screw holding the I/O panel assembly to the front chassis. See Figure 3-30.
- 8 Lift the I/O panel assembly out of the system.

**Figure 3-30. Removing and Installing the I/O Panel Assembly**



- |   |                            |   |                         |
|---|----------------------------|---|-------------------------|
| 1 | screw on the I/O panel     | 2 | I/O panel assembly      |
| 3 | alignment stop on chassis  | 4 | I/O panel securing slot |
| 5 | holding tab on the chassis |   |                         |

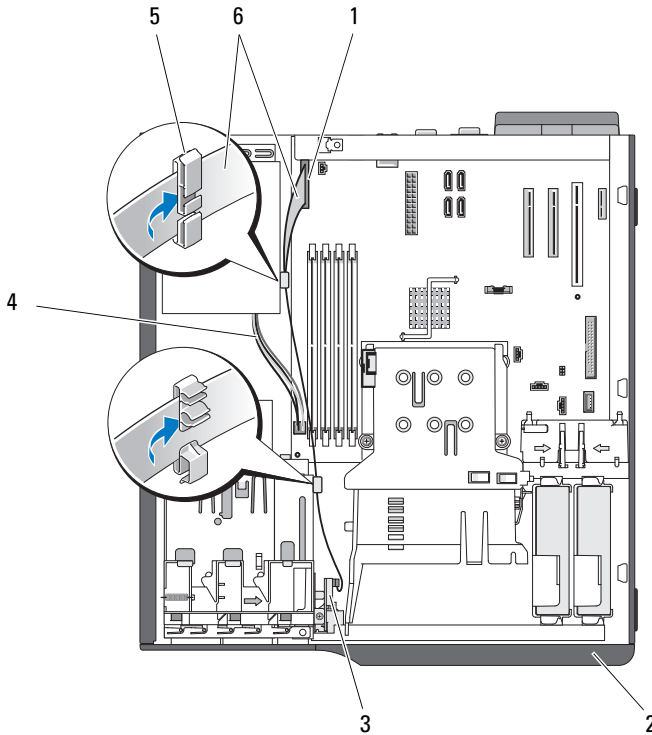
### Replacing the I/O Panel Assembly

**!** **CAUTION:** Many repairs may only be done by a certified service technician. You should only perform troubleshooting and simple repairs as authorized in your product documentation, or as directed by the online or telephone service and support team. Damage due to servicing that is not authorized by Dell is not covered by your warranty. Read and follow the safety instructions that came with the product.

- 1** Fit the I/O panel assembly so that the holding tab on the front of the chassis catches at its bottom securing slot and the I/O panel assembly lines up with the alignment stop. See Figure 3-30.
- 2** Secure the I/O panel assembly by replacing the screw. See Figure 3-30.
- 3** Secure the I/O panel ribbon cable through the clips beneath the 3.5 optional diskette drive and on the side of the power supply shroud, and connect the I/O panel ribbon cable to the new I/O panel connector. See Figure 3-31.



**Figure 3-31. Cabling the I/O Panel Assembly**



- |   |                            |   |                                   |
|---|----------------------------|---|-----------------------------------|
| 1 | I/O panel connector        | 2 | front drive bezel                 |
| 3 | I/O panel assembly         | 4 | 4-pin power cable to system board |
| 5 | cable clip on power supply | 6 | I/O panel ribbon cable            |


- 4 Replace the large processor cooling fan. See "Replacing the Cooling Fans" on page 87.
- 5 Replace the heat sink and shroud assembly. See "Replacing the Processor" on page 83.



**NOTE:** To prevent damaging the processor, clean the heat sink to remove any thermal grease and then apply fresh thermal grease to the processor before installing the heat sink.

- 6 Close the system. See "Closing the System" on page 47.
- 7 Reconnect the system to the electrical outlet, and turn on the system.


## System Board

 **CAUTION:** Many repairs may only be done by a certified service technician. You should only perform troubleshooting and simple repairs as authorized in your product documentation, or as directed by the online or telephone service and support team. Damage due to servicing that is not authorized by Dell is not covered by your warranty. Read and follow the safety instructions that came with the product.


 **CAUTION:** The heat sink can get hot during operation. To avoid burns, ensure that the system has sufficient time to cool before removing the system board.

### Removing the System Board

- 1 Turn off the system and attached peripherals, and disconnect the system from the electrical outlet.
- 2 Open the system. See "Opening the System" on page 47.
- 3 Depending on your configuration, disconnect the following cables from the system board. See Figure 6-2 for connector locations.
  - Two power-supply cables from the PWR\_CONN and 12V connectors
  - Diskette data cable from the FLOPPY connector
  - I/O panel cable from the CONTROL\_PANEL connector
  - Processor cooling fan cable from the CPU\_FAN connector
  - Drive cage cooling fan cable from the HDD\_FAN connector
  - SATA hard-drive data cable(s) from the SATA connector(s)
  - Intrusion switch cable from the INTRUSION SWITCH connector
- 4 Remove all expansion cards and any attached cables. See "Removing an Expansion Card" on page 70.
- 5 Remove all memory modules. See "Memory" on page 76.


 **NOTE:** Record the memory-module socket locations to ensure proper reinstallation of the memory modules.

 **CAUTION:** The processor and heat sink can become extremely hot. Allow sufficient time for the processor and heat sink to cool before handling.

-  **NOTICE:** To prevent damaging the processor, do not pry the heat sink off of the processor.
- 6 Remove the processor. See "Removing the Processor" on page 81.
  - 7 Using a #2 Phillips screwdriver, remove the six system board mounting screws that secure the system board to the chassis. See Figure 6-2.
  - 8 Using a #2 Phillips screwdriver, remove the two processor heat sink pivot mount screws and remove the pivot mount from the system board. See Figure 6-2. The heat sink pivot mount screws are green and are longer than the system board mounting screws.
  - 9 Carefully route any loose cables away from the edges of the system board.
  - 10 Gently slide the system board toward the front of the system, then lift the system board up and out of the chassis.

## Installing the System Board

- 1 After removing the old system board, lower the new system board into the chassis, aligning the I/O ports on the system board with the I/O connector openings on the back panel of the chassis.
- 2 Using a #2 Phillips screwdriver, install the six screws on the system board that secure it to the chassis. See Figure 6-2.
- 3 Using a #2 Phillips screwdriver, attach the processor heat sink pivot mount to the system board. See Figure 6-2.

 **NOTICE:** To prevent damaging the processor, clean the heat sink to remove any thermal grease and then apply fresh thermal grease to the processor before installing the heat sink.

- 4 Replace the processor, and the heat sink and shroud assembly. See "Replacing the Processor" on page 83.
- 5 Install the memory modules in the same sockets from which they were removed. See "Installing a Memory Module" on page 78.
- 6 Install the expansion cards and connect any cables. See "Installing an Expansion Card" on page 73.
- 7 Depending on your configuration, connect the following cables that you removed in "Removing the System Board" on page 102. See Figure 6-2.
  - Two power-supply cables to the PWR\_CONN and 12V connectors
  - If applicable, diskette data cable to the FLOPPY connector

- I/O panel cable to the CONTROL\_PANEL connector
  - Processor cooling fan cable to the CPU\_FAN connector
  - Drive cage cooling fan cable to the HDD\_FAN connector
  - SATA hard-drive data cable(s) to the SATA connector(s)
  - Intrusion switch cable from the INTRUSION SWITCH connector
- 8** Close the system. See "Closing the System" on page 47.
  - 9** Reconnect the system to the electrical outlet, and turn on the system.

# Troubleshooting Your System

## Safety First—For You and Your System

To perform certain procedures in this document, you must remove the system cover and work inside the system. While working inside the system, do not attempt to service the system except as explained in this guide and elsewhere in your system documentation.



**CAUTION:** Many repairs may only be done by a certified service technician. You should only perform troubleshooting and simple repairs as authorized in your product documentation, or as directed by the online or telephone service and support team. Damage due to servicing that is not authorized by Dell is not covered by your warranty. Read and follow the safety instructions that came with the product.

## Start-Up Routine

Look and listen during the system's start-up routine for the indications described in Table 4-1.

**Table 4-1. Start-Up Routine Indications**

Look/listen for:	Action
A code displayed on the system diagnostic indicators.	See "Diagnostic Lights" on page 16.
An error message displayed on the monitor.	See "System Messages" on page 18.
The monitor's power indicator.	See "Troubleshooting the Video Subsystem" on page 106.
The keyboard indicators.	See "Troubleshooting the Keyboard or Mouse" on page 107.
The USB diskette drive activity indicator.	See "Troubleshooting a Diskette Drive" on page 120.

**Table 4-1. Start-Up Routine Indications (continued)**

<b>Look/listen for:</b>	<b>Action</b>
The USB CD drive activity indicator.	See "Troubleshooting an Optical Drive" on page 122.
The hard-drive activity indicator.	See "Troubleshooting a Hard Drive" on page 124.
An unfamiliar constant scraping or grinding sound when you access a drive.	See "Getting Help" on page 141.

## Checking the Equipment

This section provides troubleshooting procedures for external devices attached to the system, such as the monitor, keyboard, or mouse. Before you perform any of the procedures, see "Troubleshooting External Connections" on page 106.

### Troubleshooting External Connections

Loose or improperly connected cables are the most likely source of problems for the system, monitor, and other peripherals (such as a printer, keyboard, mouse, or other external device). Ensure that all external cables are securely attached to the external connectors on your system. See Figure 1-2 for the back-panel connectors on your system.

### Troubleshooting the Video Subsystem

#### **Problem**

- Monitor is not working properly.
- Video memory is faulty.

#### **Action**

- 1 Check the system and power connections to the monitor.
- 2 Determine whether the system has an expansion card with a video output connector.

In this system configuration, the monitor cable should normally be connected to the connector on the expansion card, *not* to the system's integrated video connector.

To verify that the monitor is connected to the correct video connector, turn off the system and wait for 1 minute, then connect the monitor to the other video connector and turn the system on again.

- 3** Run the appropriate online diagnostic test. See "Using Dell PowerEdge Diagnostics" on page 131.

If the tests run successfully, the problem is not related to video hardware.

If the tests fail, see "Getting Help" on page 141.

## Troubleshooting the Keyboard or Mouse

### ***Problem***

- System message indicates a problem with the keyboard and/or mouse
- Keyboard and/or mouse is not functioning or is functioning improperly.

### ***Action***

- 1** Disconnect the keyboard and mouse cables from the system for 10 seconds and then reconnect them.

If the problem is not resolved, proceed to the next step.

- 2** Try connecting the keyboard/mouse to the USB ports on the opposite side of the system. For example, if you are using the front USB ports, try connecting to the rear USB ports.

If the problem is not resolved, proceed to the next step.

If the problem is resolved, restart the system, enter the System Setup program, and check if the non-functioning USB ports are enabled. See "Getting Help" on page 141 if the ports are enabled but not functioning.

- 3** Swap the faulty keyboard or mouse with a working keyboard or mouse.

If the problem is resolved, replace the faulty keyboard or mouse.

- 4 If other USB devices are connected to the system ports adjacent to those used by the keyboard and mouse, power down the devices and disconnect them from the system.

An overcurrent event on another USB device can cause both the keyboard and mouse to stop functioning.

If the mouse and keyboard do not immediately return to operation after disconnecting the other USB devices, restart your system. If the problem persists, proceed to the next step.

If the mouse and keyboard operations are restored, reconnect the disconnected USB devices and power them on one at a time. Note if any device causes the same problem and replace any faulty device(s).

- 5 If you have remote access to your system, use a remote host to access the system's System Setup program and enable the USB ports. If remote access is not available, proceed to the next step.

If enabling the USB ports does not resolve the problem, see "Getting Help" on page 141.

- 6 If you do not have remote access to your system, use the following procedure to set the NVRAM\_CLR jumper inside your system and restore the BIOS to its default settings.



**CAUTION: Many repairs may only be done by a certified service technician. You should only perform troubleshooting and simple repairs as authorized in your product documentation, or as directed by the online or telephone service and support team. Damage due to servicing that is not authorized by Dell is not covered by your warranty. Read and follow the safety instructions that came with the product.**

- a Turn off the system and attached peripherals and unplug the system from the power source.
- b Open the system. See "Opening the System" on page 47.
- c Locate the NVRAM\_CLR jumper on your system board (see Figure 6-1) and set the jumper to the enabled position.
- d Close the system. See "Closing the System" on page 47.
- e Reconnect the system and peripherals to power and restart.

If the mouse and keyboard are operational, proceed to the next step.



If the mouse and keyboard are still not operational, see "Getting Help" on page 141.

- f** Repeat step a and step b.
- g** Set the NVRAM\_CLR jumper to the disabled position.
- h** Close the system.
- i** Reconnect the system to power and restart the system and attached peripherals.
- j** Enter the System Setup program and reenter any custom BIOS settings that were reset. Be sure to leave all USB ports enabled.

## Troubleshooting Serial I/O Problems

### ***Problem***

- Error message indicates a problem with a serial port.
- Device connected to a serial port is not operating properly.

### ***Action***

- 1** Enter the System Setup program and ensure that the serial port is enabled and configured correctly for your application. See "Using the System Setup Program" on page 29.
- 2** If the problem is confined to a particular application, see the application documentation for specific port configuration requirements that the program may require.
- 3** Run the appropriate online diagnostic test. See "Running the System Diagnostics" on page 131.

If the tests run successfully but the problem persists, see "Troubleshooting a USB Device" on page 110.

## Troubleshooting a Serial I/O Device

### ***Problem***

- Device connected to the serial port is not operating properly.

### **Action**

- 1** Turn off the system and any peripheral devices connected to the serial port.
- 2** Swap the serial interface cable with a working cable, and turn on the system and the serial device.  
If the problem is resolved, replace the interface cable. See "Getting Help" on page 141.
- 3** Turn off the system and the serial device, and swap the device with a comparable device.
- 4** Turn on the system and the serial device.  
If the problem is resolved, replace the serial device. See "Getting Help" on page 141.  
If the problem persists, see "Getting Help" on page 141.

## **Troubleshooting a USB Device**

### **Problem**

- System message indicates a problem with a USB device.
- One or more USB devices are not operating properly.

### **Action**

- 1** If a single USB device is experiencing a problem, perform the following procedure. For problems with multiple USB devices, skip to step 2.
  - a** Turn off the USB device, disconnect the USB cable from the system briefly, and reconnect the cable.
  - b** Restart the system, enter the System Setup program, and ensure that all USB ports are enabled. See "Using the System Setup Program" on page 29.
  - c** Turn off the USB device and swap the interface cable with a working cable. Turn on the device.  
If the problem is resolved, replace the interface cable.
  - d** Turn off the USB device, connect it to another USB connector on the system, and turn on the USB device.

If the USB device functions, the USB connector on the system is likely defective. Otherwise, the USB device is faulty and needs to be replaced. See "Getting Help" on page 141.

- 2 Power down all USB peripheral devices and disconnect all USB devices from the system except the USB mouse and keyboard.

- 3 Restart the system and reconnect the USB devices.

If the problem is resolved, the problem was likely caused by an overcurrent event on one of the USB devices. If the problem persists, attempt to isolate the faulty device by trying different USB configurations.

If the problem is not resolved, proceed to the next step.

- 4 Reset the system BIOS to the default settings by setting the NVRAM\_CLR jumper inside your system. Use the following procedure.



**CAUTION: Many repairs may only be done by a certified service technician. You should only perform troubleshooting and simple repairs as authorized in your product documentation, or as directed by the online or telephone service and support team. Damage due to servicing that is not authorized by Dell is not covered by your warranty. Read and follow the safety instructions that came with the product.**

- a Turn off the system and attached peripherals and unplug the system from the power source.
- b Open the system. See "Opening the System" on page 47.
- c Locate the NVRAM\_CLR jumper on your system board (see Figure 6-1) and set the jumper to the enabled position.
- d Close the system. See "Opening the System" on page 47.
- e Reconnect the system and peripherals to power and restart.  
If all USB devices are operational, proceed to the next step.  
If the USB devices are still not functioning, see "Getting Help" on page 141.
- f Repeat step a and step b.
- g Set the NVRAM\_CLR jumper to the disabled position.
- h Close the system.
- i Reconnect the system and peripherals to power and restart.

- j Enter the System Setup program and reenter any custom BIOS settings that were reset. Be sure to leave all USB ports enabled. See "Using the System Setup Program" on page 29.

## Troubleshooting a NIC

### *Problem*

- NIC cannot communicate with network.

### *Action*

- 1 Run the appropriate online diagnostic test. See "Using Dell PowerEdge Diagnostics" on page 131.
- 2 Check the appropriate indicator on the NIC connector. See "NIC Indicator Codes" on page 14.
  - If the link indicator does not light, check all cable connections.
  - If the activity indicator does not light, the network driver files might be damaged or missing.  
Remove and reinstall the drivers if applicable. See the NIC's documentation.
  - Change the autonegotiation setting, if possible.
  - Use another connector on the switch or hub.

If you are using a NIC card instead of an integrated NIC, see the documentation for the NIC card.

- 3 Ensure that the appropriate drivers are installed and the protocols are bound. See the NIC's documentation.
- 4 Enter the System Setup program and confirm that the NICs are enabled. See "Using the System Setup Program" on page 29.
- 5 Ensure that the NICs, hubs, and switches on the network are all set to the same data transmission speed. See the network equipment documentation.
- 6 Ensure that all network cables are of the proper type and do not exceed the maximum length.

If the problem persists, see "Getting Help" on page 141.

# Troubleshooting a Wet System

## *Problem*

- Liquid spilled on the system.
- Excessive humidity.

## *Action*



**CAUTION: Many repairs may only be done by a certified service technician. You should only perform troubleshooting and simple repairs as authorized in your product documentation, or as directed by the online or telephone service and support team. Damage due to servicing that is not authorized by Dell is not covered by your warranty. Read and follow the safety instructions that came with the product.**

- 1 Turn off the system and attached peripherals, and disconnect the system from the electrical outlet.
- 2 Open the system. See "Opening the System" on page 47.
- 3 Remove all expansion cards installed in the system. See "Removing an Expansion Card" on page 70.
- 4 Let the system dry thoroughly for at least 24 hours.
- 5 Close the system. See "Closing the System" on page 47.
- 6 Reconnect the system to the electrical outlet, and turn on the system and attached peripherals.

If the system does not start properly, see "Getting Help" on page 141.

- 7 If the system starts properly, shut down the system and reinstall all of the expansion cards that you removed. See "Installing an Expansion Card" on page 73.
- 8 Run the appropriate online diagnostic test. See "Using Dell PowerEdge Diagnostics" on page 131.

If the tests fail, see "Getting Help" on page 141.

# Troubleshooting a Damaged System

## *Problem*

- System was dropped or damaged.

## *Action*



**CAUTION: Many repairs may only be done by a certified service technician. You should only perform troubleshooting and simple repairs as authorized in your product documentation, or as directed by the online or telephone service and support team. Damage due to servicing that is not authorized by Dell is not covered by your warranty. Read and follow the safety instructions that came with the product.**

- 1 Open the system. See "Opening the System" on page 47.
- 2 Ensure that the following components are properly installed:
  - Expansion cards
  - Power supply
  - Fans
  - Processors and heat sinks
  - Optional installed drivers
  - Memory modules
- 3 Ensure that all cables are properly connected.
- 4 Close the system. See "Closing the System" on page 47.
- 5 Run the system board tests in the system diagnostics. See "Running the System Diagnostics" on page 131.  
If the tests fail, see "Getting Help" on page 141.

# Troubleshooting the System Battery

## *Problem*

- System message indicates a problem with the battery.
- System Setup program loses system configuration information.
- System date and time do not remain current.



**NOTE:** If the system is turned off for long periods of time (for weeks or months), the NVRAM may lose its system configuration information. This situation is caused by a defective battery.

### **Action**

- 1 Re-enter the time and date through the System Setup program. See "Using the System Setup Program" on page 29.
- 2 Turn off the system and disconnect it from the electrical outlet for at least one hour.
- 3 Reconnect the system to the electrical outlet and turn on the system.
- 4 Enter the System Setup program. See "Using the System Setup Program" on page 29.

If the date and time are not correct in the System Setup program, replace the battery. See "System Battery" on page 89.

If the problem is not resolved by replacing the battery, see "Getting Help" on page 141.



**NOTE:** Some software may cause the system time to speed up or slow down. If the system seems to operate normally except for the time kept in the System Setup program, the problem may be caused by software rather than by a defective battery.

## **Troubleshooting Power Supply**

### **Problem**

- Power-supply fault indicator is blinking amber.


### **Action**



**CAUTION: Many repairs may only be done by a certified service technician. You should only perform troubleshooting and simple repairs as authorized in your product documentation, or as directed by the online or telephone service and support team. Damage due to servicing that is not authorized by Dell is not covered by your warranty. Read and follow the safety instructions that came with the product.**

- 1 Run the appropriate online diagnostics test. See "Running the System Diagnostics" on page 131.

- 2 Turn off the system and attached peripherals, and disconnect the system from the electrical outlet.
- 3 Open the system. See "Opening the System" on page 47.
- 4 Locate the faulty power supply.  
The power supply's fault indicator is lit. See "Power Supply Indicators" on page 15.

 **NOTICE:** Setting the voltage selection switch to an improper setting can damage your system.

- 5 Ensure that the power supply is properly installed by removing and reinstalling it. See "Installing the Power Supply" on page 94.



**NOTE:** After installing a power supply, allow several seconds for the system to recognize the power supply and to determine if it is working properly. The power indicator turns green to signify that the power supply is functioning properly.

- 6 If the problem is resolved, close the system. See "Closing the System" on page 47.

If the problem persists, remove the faulty power supply. See "Removing the Power Supply" on page 92.

- 7 Install a new power supply. See "Installing the Power Supply" on page 94.  
If the problem persists, see "Getting Help" on page 141.

## Troubleshooting System Cooling Problems

### ***Problem***

- Systems management software issues a fan-related error message.

### ***Action***

Ensure that none of the following conditions exist:

- System cover, drive blank, or front or back filler panel is removed.
- Ambient temperature is too high.
- External airflow is obstructed.
- Cables inside the system obstruct airflow.




- An individual cooling fan is removed or has failed. See "Troubleshooting a Fan" on page 117.

## Troubleshooting a Fan

### *Problem*

- System-status indicator is amber.
- System management software issues a fan-related error message.


### *Action*

 **CAUTION: Many repairs may only be done by a certified service technician. You should only perform troubleshooting and simple repairs as authorized in your product documentation, or as directed by the online or telephone service and support team. Damage due to servicing that is not authorized by Dell is not covered by your warranty. Read and follow the safety instructions that came with the product.**

- 1 Run the appropriate diagnostic test. See "Using Dell PowerEdge Diagnostics" on page 131.
- 2 Turn off the system and attached peripherals, and disconnect the system from the electrical outlet.
- 3 Open the system. See "Opening the System" on page 47.

 **CAUTION: The cooling fans are hot-pluggable. To maintain proper cooling while the system is on, only replace one fan at a time.**

- 4 Locate the faulty fan indicated by the diagnostic software or the fan indicator that is blinking amber. For the identification number of each fan, see "Removing and Installing the Heat Sink Cooling Fan" on page 87.
- 5 Ensure that the faulty fan's power cable is firmly attached to the fan power connector. For a hot-plug fan, remove and reseal the fan. See "Cooling Fans" on page 84.

 **NOTE:** Wait 30 seconds for the system to recognize the fan and determine whether it is working properly.

- 6 Reconnect the system to its electrical outlet, and turn on the system and attached peripherals.
- 7 If the problem is not resolved, install a new fan. See "Cooling Fans" on page 84.

If the replacement fan is working properly, close the system. See "Closing the System" on page 47.

If the replacement fan does not operate, see "Getting Help" on page 141.

## Troubleshooting System Memory

### *Problem*

- Faulty memory module.
- Faulty system board.
- Diagnostic indicator code indicates a problem with system memory.

### *Action*



**CAUTION: Many repairs may only be done by a certified service technician. You should only perform troubleshooting and simple repairs as authorized in your product documentation, or as directed by the online or telephone service and support team. Damage due to servicing that is not authorized by Dell is not covered by your warranty. Read and follow the safety instructions that came with the product.**

- 1 If the system is operational, run the appropriate online diagnostic test. See "Using Dell PowerEdge Diagnostics" on page 131.

If diagnostics indicates a fault, follow the corrective actions provided by the diagnostic program. If the problem is not resolved or if the system is not operational, continue to the next step.

- 2 Turn off the system and attached peripherals, unplug the system from the power source and press the power button, and then reconnect the system to power.
- 3 Turn on the system and attached peripherals and, as the system boots, note the messages on the screen.

If an error messages appears indicating a fault with a specific memory module, go to step 12.

If any other system message appears that indicates a nonspecific memory problem, continue to the next step.

- 4 Enter the System Setup program and check the system memory setting. See "Using the System Setup Program" on page 29.

If the installed memory does not match the amount of memory shown in the System Setup program, proceed to the next step.

If the memory settings and installed memory indicate no problems, go to step 12.

- 5 Turn off the system and attached peripherals, and disconnect the system from the electrical outlet.
- 6 Open the system. See "Opening the System" on page 47.
- 7 Ensure that the memory banks are populated correctly. See "Memory Module Installation Guidelines" on page 76.

If the memory modules are populated correctly, continue to the next step.

- 8 Reseat the memory modules in their sockets. See "Installing a Memory Module" on page 78.
- 9 Close the system. See "Closing the System" on page 47.
- 10 Reconnect the system to its electrical outlet, and turn on the system and attached peripherals.
- 11 Enter the System Setup program and check the system memory setting. See "Using the System Setup Program" on page 29.

If the amount of memory installed still does not match the system memory setting, proceed to the next step.

- 12 Turn off the system and attached peripherals, and disconnect the system from its electrical outlet.
- 13 Open the system. See "Opening the System" on page 47.



**NOTE:** Several configurations for the memory modules exist; see "Memory Module Installation Guidelines" on page 76.

- 14 If a diagnostic test or error message indicates a specific memory module as faulty, swap or replace the module. Otherwise, swap the memory module in the first DIMM socket with a module of the same type and capacity that is known to be good. See "Installing a Memory Module" on page 78.
- 15 Close the system. See "Closing the System" on page 47.
- 16 Reconnect the system to its electrical outlet, and turn on the system and attached peripherals.

- 17 As the system boots, observe any error message that appears and the diagnostic indicators on the front of the system.
- 18 If the memory problem is still indicated, repeat step 12 through step 17 for each memory module installed.  
If the problem persists, see "Getting Help" on page 141.

## Troubleshooting a Diskette Drive

### *Problem*

- Error message indicates a diskette drive problem.

### *Action*



**CAUTION: Many repairs may only be done by a certified service technician. You should only perform troubleshooting and simple repairs as authorized in your product documentation, or as directed by the online or telephone service and support team. Damage due to servicing that is not authorized by Dell is not covered by your warranty. Read and follow the safety instructions that came with the product.**

- 1 Enter the System Setup program and verify that the diskette drive is configured correctly. See "Using the System Setup Program" on page 29.
- 2 Remove the bezel. See "Removing the Bezel" on page 96.
- 3 Run the appropriate online diagnostic test. See "Using Dell PowerEdge Diagnostics" on page 131.
- 4 Turn off the system and attached peripherals, and disconnect the system from the electrical outlet.
- 5 Open the system. See "Opening the System" on page 47.
- 6 Ensure that the diskette drive interface cable is securely connected to the diskette drive and the system board.
- 7 Ensure that a power cable is properly connected to the drive.
- 8 Close the system. See "Closing the System" on page 47.
- 9 Reconnect the system to the electrical outlet, and turn on the system and attached peripherals.
- 10 Run the appropriate online diagnostic test to see whether the diskette drive works correctly.

If the problem persists, continue with the following steps.

- 11** Turn off the system and attached peripherals, and disconnect the system from its electrical outlet.
- 12** Open the system. See "Opening the System" on page 47.
- 13** Remove all expansion cards installed in the system. See "Removing an Expansion Card" on page 70.
- 14** Close the system. See "Closing the System" on page 47.
- 15** Reconnect the system to the electrical outlet, and turn on the system and attached peripherals.
- 16** Run the appropriate online diagnostic test to see whether the diskette drive works correctly.

If the tests run successfully, an expansion card may be conflicting with the diskette drive logic, or an expansion card may be faulty. Continue to the next step.

If the tests fail, see "Getting Help" on page 141.

- 17** Turn off the system and attached peripherals, and disconnect the system from the electrical outlet.
- 18** Open the system. See "Opening the System" on page 47.
- 19** Reinstall one of the expansion cards you removed in step 13. See "Installing an Expansion Card" on page 73.
- 20** Close the system. See "Closing the System" on page 47.
- 21** Reconnect the system to the electrical outlet, and turn on the system and attached peripherals.
- 22** Run the appropriate online diagnostic test to see whether the diskette drive works correctly.
- 23** Repeat step 17 through step 22 until all expansion cards are reinstalled or one of the expansion cards causes the tests to fail.

If the problem is not resolved, see "Getting Help" on page 141.

# Troubleshooting an Optical Drive

## *Problem*

- System cannot read data from a CD or DVD in an optical drive.
- Optical drive indicator does not blink during boot.

## *Action*



**CAUTION: Many repairs may only be done by a certified service technician. You should only perform troubleshooting and simple repairs as authorized in your product documentation, or as directed by the online or telephone service and support team. Damage due to servicing that is not authorized by Dell is not covered by your warranty. Read and follow the safety instructions that came with the product.**

- 1 Remove the bezel. See "Removing the Bezel" on page 96.
- 2 Try using a different CD or DVD that you know works properly.
- 3 Enter the System Setup program and ensure that the drive's SATA controller is enabled. See "Using the System Setup Program" on page 29.
- 4 Run the appropriate online diagnostic test. See "Using Dell PowerEdge Diagnostics" on page 131.
- 5 Turn off the system and attached peripherals, and disconnect the system from the electrical outlet.
- 6 Open the system. See "Opening the System" on page 47.
- 7 Ensure that the interface cable is securely connected to the optical drive and to the controller.
- 8 Ensure that a power cable is properly connected to the drive.
- 9 Close the system. See "Closing the System" on page 47.
- 10 Reconnect the system to the electrical outlet, and turn on the system and attached peripherals.  
If the problem is not resolved, see "Getting Help" on page 141.

# Troubleshooting an External SCSI Tape Drive

## *Problem*

- Defective tape drive
- Defective tape cartridge
- Missing or corrupted tape-backup software or tape drive device driver
- Defective SCSI controller

## *Action*

- 1 Remove the tape cartridge you were using when the problem occurred, and replace it with a tape cartridge that you know works.
- 2 Ensure that the SCSI device drivers for the tape drive are installed and are configured correctly. See "Installing an Optical or Tape Drive" on page 60.
- 3 Reinstall the tape-backup software as instructed in the tape-backup software documentation.
- 4 Ensure that the tape drive's interface/DC power cable is connected to the tape drive and SCSI controller card.
- 5 Verify that the tape drive is configured for a unique SCSI ID number and that the tape drive is terminated or not terminated, based on the interface cable used to connect the drive.

See the documentation for the tape drive for instructions on selecting the SCSI ID number and enabling or disabling termination.

- 6 Run the appropriate online diagnostics tests. See "Using Dell PowerEdge Diagnostics" on page 131.
- 7 Open or remove the bezel. See "Removing the Bezel" on page 96.
- 8 Turn off the system and attached peripherals, and disconnect the system from the electrical outlet.



**CAUTION: Many repairs may only be done by a certified service technician. You should only perform troubleshooting and simple repairs as authorized in your product documentation, or as directed by the online or telephone service and support team. Damage due to servicing that is not authorized by Dell is not covered by your warranty. Read and follow the safety instructions that came with the product.**

- 9 Open the system. See "Opening the System" on page 47.
- 10 Ensure that the SCSI controller card is firmly seated in its connector. See "Installing an Expansion Card" on page 73.
- 11 Close the system. See "Closing the System" on page 47.
- 12 Reconnect the system to the electrical outlet, and turn on the system and attached peripherals.
- 13 If the problem is not resolved, see the documentation for the tape drive for additional troubleshooting instructions.
- 14 If you cannot resolve the problem, see "Getting Help" on page 141 for information on obtaining technical assistance.

## Troubleshooting a Hard Drive

### *Problem*

- Device driver error.
- One or more hard drives not recognized by the system.

### *Action*



**CAUTION:** Many repairs may only be done by a certified service technician. You should only perform troubleshooting and simple repairs as authorized in your product documentation, or as directed by the online or telephone service and support team. Damage due to servicing that is not authorized by Dell is not covered by your warranty. Read and follow the safety instructions that came with the product.



**NOTICE:** This troubleshooting procedure can destroy data stored on the hard drive. Before you proceed, back up all files on the hard drive.

- 1 Run the appropriate online diagnostics test. See "Using Dell PowerEdge Diagnostics" on page 131.

Depending on the results of the diagnostics test, proceed as needed through the following steps.

- 2 If you are experiencing problems with multiple hard drives, skip to step 6. For a problem with a single hard drive, continue to the next step.
- 3 If your system has a SAS RAID controller, perform the following steps.



- a Restart the system and press <Ctrl> <R> to enter the host adapter configuration utility program.  
See the documentation supplied with the host adapter for information about the configuration utility.
      - b Ensure that the hard drive has been configured correctly for the RAID.
      - c Exit the configuration utility and allow the system to boot to the operating system.
- 4 Ensure that the required device drivers for your SAS controller card or SAS RAID controller are installed and are configured correctly. See the operating system documentation for more information.
- 5 Verify that the controller is enabled and the drives appear in the System Setup program. See "Using the System Setup Program" on page 29.
- 6 Check the cable connections inside the system:
  - a Turn off the system, including any attached peripherals, and disconnect the system from the electrical outlet.
  - b Open the system. See "Opening the System" on page 47.
  - c Verify that the cable connections between the hard drive(s) and the drive controller are correct, whether the connections are to the SATA connectors on the system board, a SAS expansion card, or a SAS RAID controller. See "Hard Drives" on page 64.
  - d Verify that the SAS or SATA cables are securely seated in their connectors.
  - e Close the system. See "Closing the System" on page 47.
  - f Reconnect the system to the electrical outlet, and turn on the system and attached peripherals.

If the problem persists, see "Getting Help" on page 141.

## Troubleshooting a SAS or SAS RAID Controller



**NOTE:** When troubleshooting a SAS RAID controller, also see the documentation for your operating system and the controller.

### ***Problem***

- Error message indicates a problem with the SAS or SAS RAID controller.

- SAS or SAS RAID controller performs incorrectly or not at all.

### **Action**



**CAUTION: Many repairs may only be done by a certified service technician. You should only perform troubleshooting and simple repairs as authorized in your product documentation, or as directed by the online or telephone service and support team. Damage due to servicing that is not authorized by Dell is not covered by your warranty. Read and follow the safety instructions that came with the product.**

- 1 Run the appropriate online diagnostic test. See "Using Dell PowerEdge Diagnostics" on page 131.
- 2 Enter the System Setup program and ensure that the SAS or SAS RAID controller is enabled. See "Using the System Setup Program" on page 29.
- 3 Restart the system and press the applicable key sequence to enter the configuration utility program:
  - <Ctrl><C> for a SAS controller
  - <Ctrl><R> for a SAS RAID controller

See the controller's documentation for information about configuration settings.

- 4 Check the configuration settings, make any necessary corrections, and restart the system.  
If the problem is not resolved, continue to the next step.
- 5 Turn off the system and attached peripherals, and disconnect the system from its electrical outlet.
- 6 Open the system. See "Opening the System" on page 47.
- 7 Ensure that the controller card is firmly seated into the system board connector. See "Installing an Expansion Card" on page 73.
- 8 If you have a SAS RAID controller, ensure that the following RAID components are properly installed and connected:
  - Memory module
  - Battery
- 9 Verify that the cable connections between the hard drives and the SAS controller are correct. See "Hard Drives" on page 64.

Ensure that the cables are firmly connected to the SAS controller and the hard drives.

- 10 Close the system. See "Closing the System" on page 47.
- 11 Reconnect the system to its electrical outlet, and turn on the system and attached peripherals. If the problem persists, see "Getting Help" on page 141.

## Troubleshooting Expansion Cards



**NOTE:** When troubleshooting an expansion card, see the documentation for your operating system and the expansion card.

### *Problem*

- Error message indicates a problem with an expansion card.
- Expansion card performs incorrectly or not at all.

### *Action*



**CAUTION:** Many repairs may only be done by a certified service technician. You should only perform troubleshooting and simple repairs as authorized in your product documentation, or as directed by the online or telephone service and support team. Damage due to servicing that is not authorized by Dell is not covered by your warranty. Read and follow the safety instructions that came with the product.

- 1 Run the appropriate online diagnostic test for the expansion card which is exhibiting issues. See "Using Dell PowerEdge Diagnostics" on page 131. Follow any recommended actions provided by the diagnostics. If the problem persists, go to the next step.
- 2 Open or remove the bezel. See "Removing the Bezel" on page 96.
- 3 Turn off the system and attached peripherals, and disconnect the system from the electrical outlet.
- 4 Open the system. See "Opening the System" on page 47.
- 5 Ensure that each expansion card is firmly seated in its connector. See "Installing an Expansion Card" on page 73.
- 6 Close the system. See "Closing the System" on page 47.

- 7 Reconnect the system to the electrical outlet, and turn on the system and attached peripherals.  
If the problem persists, go to the next step.
- 8 Turn off the system and attached peripherals, and disconnect the system from the electrical outlet.
- 9 Open the system. See "Opening the System" on page 47.
- 10 Remove all expansion cards in the system. See "Removing an Expansion Card" on page 70.



**NOTE:** If your operating system is running off a disk controller card (such as a SAS controller card), do not remove it.

- 11 Close the system. See "Closing the System" on page 47.
- 12 Reconnect the system to the electrical outlet, and turn on the system and attached peripherals.
- 13 Run the appropriate online diagnostic test.  
If the tests fail, see "Getting Help" on page 141.
- 14 For each expansion card you removed in step 10, perform the following steps:
  - a Turn off the system and attached peripherals, and disconnect the system from the electrical outlet.
  - b Open the system. See "Opening the System" on page 47.
  - c Reinstall one of the expansion cards.
  - d Close the system. See "Closing the System" on page 47.
  - e Reconnect the system to the electrical outlet, and turn on the system and attached peripherals.
  - f Run the appropriate online diagnostic test.  
If the tests fail, repeat step 14 for each expansion card until you are able to single out the faulty expansion card.  
  
If the tests fail for all expansion cards, see "Getting Help" on page 141.

# Troubleshooting the Microprocessor

## *Problem*

- Error message indicates a processor problem.
- Diagnostic indicator code indicates a problem with the processor or system board.
- A heat sink is not installed for the processor.

## *Action*



**CAUTION: Many repairs may only be done by a certified service technician. You should only perform troubleshooting and simple repairs as authorized in your product documentation, or as directed by the online or telephone service and support team. Damage due to servicing that is not authorized by Dell is not covered by your warranty. Read and follow the safety instructions that came with the product.**

- 1 If possible, run the appropriate online diagnostics test. See "Using Dell PowerEdge Diagnostics" on page 131.
- 2 Turn off the system and attached peripherals, and disconnect the system from the electrical outlet.
- 3 Open the system. See "Opening the System" on page 47.
- 4 Ensure that the processor and heat sink are properly installed. See "Replacing the Processor" on page 83.
- 5 Close the system. See "Closing the System" on page 47.
- 6 Reconnect the system to the electrical outlet, and turn on the system and attached peripherals.
- 7 If possible, run the appropriate online diagnostic test. See "Running the System Diagnostics" on page 131.  
If the tests fail or the problem persists, continue to the next step.
- 8 Turn off the system and attached peripherals, and disconnect the system from the electrical outlet.
- 9 Open the system. See "Opening the System" on page 47.
- 10 Replace the processor. See "Replacing the Processor" on page 83.
- 11 Close the system. See "Closing the System" on page 47.

- 12** Reconnect the system to the electrical outlet, and turn on the system and attached peripherals.
- 13** Run the appropriate online diagnostic test. See "Running the System Diagnostics" on page 131.  
If the problem persists, the system board is faulty. See "Getting Help" on page 141.

# Running the System Diagnostics

If you experience a problem with your system, run the diagnostics before calling for technical assistance. The purpose of the diagnostics is to test your system's hardware without requiring additional equipment or risking data loss. If you are unable to fix the problem yourself, service and support personnel can use diagnostics test results to help you solve the problem.

## Using Dell PowerEdge Diagnostics

To assess a system problem, first use the online Dell™ PowerEdge™ Diagnostics. Dell PowerEdge Diagnostics is a suite of diagnostic programs, or test modules, that include diagnostic tests on chassis and storage components such as hard drives, physical memory, communications and printer ports, NICs, CMOS, and more. If you are unable to identify the problem using the PowerEdge Diagnostics, then use the system diagnostics.

The files required to run PowerEdge Diagnostics for systems running supported Microsoft® Windows® and Linux operating systems are available at [support.dell.com](http://support.dell.com) and on the CDs that came with your system. For information about using diagnostics, see the *Dell PowerEdge Diagnostics User's Guide*.

## System Diagnostics Features

The system diagnostics provides a series of menus and options for particular device groups or devices. The system diagnostics menus and options allow you to:

- Run tests individually or collectively.
- Control the sequence of tests.
- Repeat tests.
- Display, print, or save test results.
- Temporarily suspend testing if an error is detected or terminate testing when a user-defined error limit is reached.
- View help messages that briefly describe each test and its parameters.

- View status messages that inform you if tests are completed successfully.
- View error messages that inform you of problems encountered during testing.

## When to Use the System Diagnostics

If a major component or device in the system does not operate properly, component failure may be indicated. As long as the microprocessor and the system's input/output devices (monitor, keyboard, and diskette drive) are functioning, you can use the system diagnostics to help identify the problem.

## Running the System Diagnostics

The system diagnostics is run from the utility partition on your hard drive.



**NOTICE:** Use the system diagnostics to test only your system. Using this program with other systems may cause invalid results or error messages. In addition, use only the program that came with your system (or an updated version of that program).

- 1 As the system boots, press <F10> during POST.
- 2 From the utility partition main menu, select **Run System Diagnostics**, or select **Run Memory Diagnostics** if you are troubleshooting memory.

When you start the system diagnostics, a message is displayed stating that the diagnostics are initializing. Next, the **Diagnostics** menu appears. The menu allows you to run all or specific diagnostics tests or to exit the system diagnostics.



**NOTE:** Before you read the rest of this section, start the system diagnostics so that you can see the utility on your screen.

## System Diagnostics Testing Options

Click the testing option in the **Main Menu** window. Table 5-1 provides a brief explanation of testing options.



**Table 5-1. System Diagnostics Testing Options**

Testing Option	Function
Express Test	Performs a quick check of the system. This option runs device tests that do not require user interaction. Use this option to quickly identify the source of your problem.
Extended Test	Performs a more thorough check of the system. This test can take an hour or longer.
Custom Test	Tests a particular device.
Information	Displays test results.

## Using the Custom Test Options

When you select **Custom Test** in the **Main Menu** window, the **Customize** window appears and allows you to select the device(s) to be tested, select specific options for testing, and view the test results.

### Selecting Devices for Testing

The left side of the **Customize** window lists devices that can be tested. Devices are grouped by device type or by module, depending on the option you select. Click the (+) next to a device or module to view its components. Click (+) on any component to view the tests that are available. Clicking a device, rather than its components, selects all of the components of the device for testing.



**NOTE:** After you select all the devices and components that you want to test, highlight **All Devices** and then click **Run Tests**.

### Selecting Diagnostics Options

Use the **Diagnostics Options** area to select how you want to test a device. You can set the following options:

- **Non-Interactive Tests Only** — When checked, runs only tests that require no user intervention.
- **Quick Tests Only** — When checked, runs only the quick tests on the device. Extended tests will not run when you select this option.
- **Show Ending Timestamp** — When checked, time stamps the test log.

- **Test Iterations** — Selects the number of times the test is run.
- **Log output file pathname** — When checked, enables you to specify where the test log file is saved.

## Viewing Information and Results

The tabs in the **Customize** window provide information about the test and the test results. The following tabs are available:

- **Results** — Displays the test that ran and the result.
- **Errors** — Displays any errors that occurred during the test.
- **Help** — Displays information about the currently selected device, component, or test.
- **Configuration** — Displays basic configuration information about the currently selected device.
- **Parameters** — If applicable, displays parameters that you can set for the test.

# Jumpers and Connectors

This section provides specific information about the system jumpers and describes the connectors on the various boards in the system.

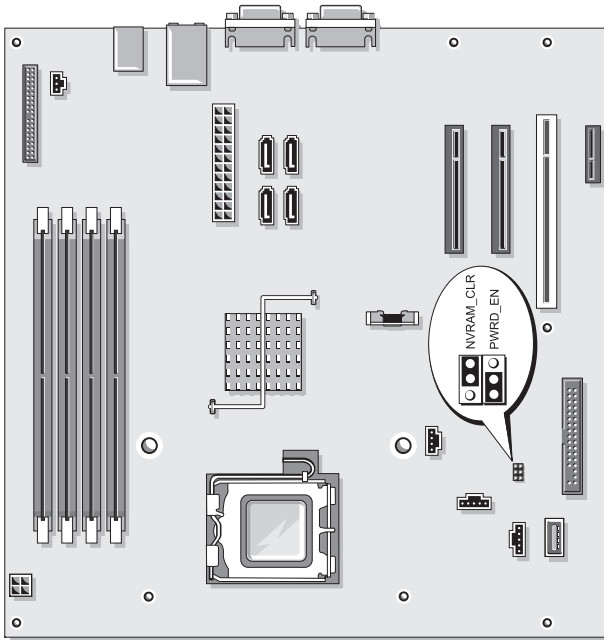
## System Board Jumpers



**CAUTION:** Many repairs may only be done by a certified service technician. You should only perform troubleshooting and simple repairs as authorized in your product documentation, or as directed by the online or telephone service and support team. Damage due to servicing that is not authorized by Dell is not covered by your warranty. Read and follow the safety instructions that came with the product.

Figure 6-1 shows the location of the configuration jumpers on the system board. Table 6-1 lists the jumper settings.

**Figure 6-1. System Board Jumpers**



**Table 6-1. System Board Jumper Settings**

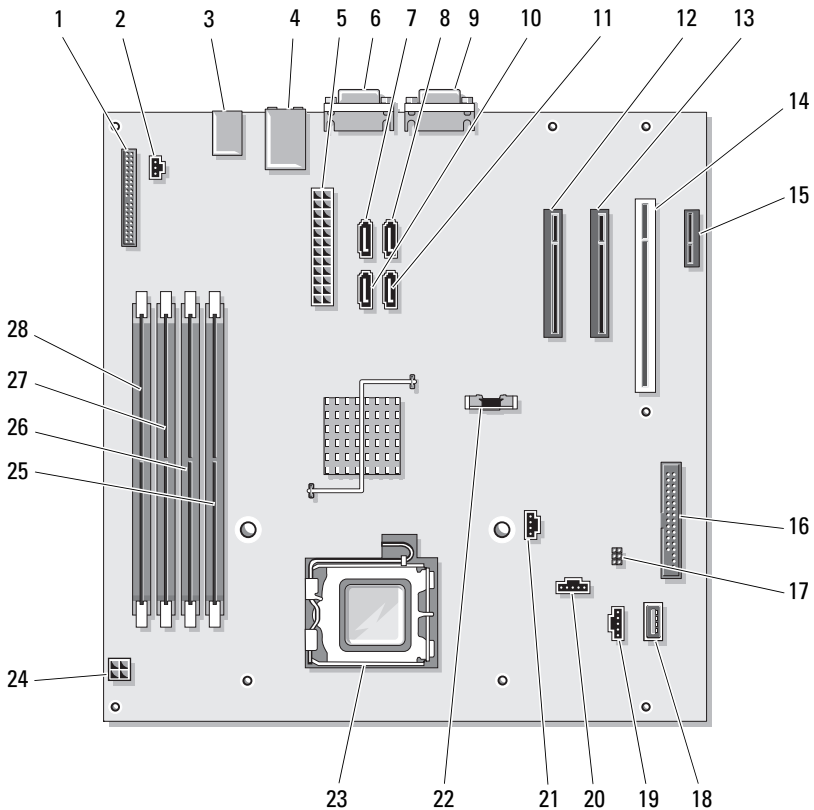
Jumper	Setting	Description
PWRD_EN		(default) The password feature is enabled.
		The password feature is disabled.
NVRAM_CLR		(default) The configuration settings in NVRAM are retained at system boot.
		The configuration settings in NVRAM are cleared at next system boot.

# System Board Connectors

**⚠ CAUTION:** Many repairs may only be done by a certified service technician. You should only perform troubleshooting and simple repairs as authorized in your product documentation, or as directed by the online or telephone service and support team. Damage due to servicing that is not authorized by Dell is not covered by your warranty. Read and follow the safety instructions that came with the product.

See Figure 6-2 and Table 6-2 for the location and description of the system board connectors.

**Figure 6-2. System Board Connectors**



**Table 6-2. System Board Connectors**


<b>Item</b>	<b>Connector</b>	<b>Description</b>
1	CONTROL_PANEL	front panel
2	INTRUSION_SWITCH	chassis intrusion switch connector
3	USB3/USB4/USB5	USB connectors
4	NIC1/USB1/USB2	NIC and USB connectors
5	PWR_CONN	power connector
6	VGA	video connector
7	SATA_D	SATA drive
8	SATA_C	SATA drive
9	COM	serial connector
10	SATA_B	SATA drive
11	SATA_A	SATA drive
12	PCIE_X4 (SLOT1)	PCIe x4 (x8 slot)
13	PCIE_X8 (SLOT2)	PCIe x8
14	PCI (SLOT3)	32-bit, 33-MHz PCI
15	PCIE_X1 (SLOT4)	PCIe x1
16	FLOPPY	diskette drive
17	NVRAM_CLR/PWRD_EN	system board jumpers
18	INTERNAL_USB	internal USB key
19	HDD_FAN	drive cage fan
20	CPU_FAN	processor fan
21	AUXLED	auxiliary hard drive LED
22	BATTERY	battery socket
23	CPU	processor
24	12V	12V power connector
25	DIMM1_A	memory module
26	DIMM2_A	memory module

**Table 6-2. System Board Connectors (continued)**

Item	Connector	Description
27	DIMM1_B	memory module
28	DIMM2_B	memory module


## Disabling a Forgotten Password

The password jumper on the system board enables the system password features or disables them and clears any password(s) currently in use.

 **CAUTION:** Many repairs may only be done by a certified service technician. You should only perform troubleshooting and simple repairs as authorized in your product documentation, or as directed by the online or telephone service and support team. Damage due to servicing that is not authorized by Dell is not covered by your warranty. Read and follow the safety instructions that came with the product.

- 1 Turn off the system and attached peripherals, and disconnect the system from the electrical outlet.
- 2 Open the system. See "Opening the System" on page 47.
- 3 Move the PWRD\_EN jumper to the disabled position.  
See Figure 6-1 to locate the password jumper on the system board.
- 4 Close the system. See "Closing the System" on page 47.
- 5 Reconnect the system to the electrical outlet, and turn on the system.

The existing passwords are not disabled (erased) until the system boots with the password jumper plug removed. However, before you assign a new system and/or setup password, you must install the jumper plug.

 **NOTE:** If you assign a new system and/or setup password with the jumper plug still removed, the system disables the new password(s) the next time it boots.

- 6 Turn off the system, including any attached peripherals, and disconnect the system from the electrical outlet.
- 7 Open the system. See "Opening the System" on page 47.
- 8 Move the PWRD\_EN jumper from the disabled position to the enabled position.

- 9 Close the system, reconnect the system to the electrical outlet, and turn on the system.
- 10 Assign a new system and/or setup password.  
To assign a new password using the System Setup program, see "Using the System Password" on page 39.



# Getting Help

## Contacting Dell

For customers in the United States, call 800-WWW-DELL (800-999-3355).



**NOTE:** If you do not have an active Internet connection, you can find contact information on your purchase invoice, packing slip, bill, or Dell product catalog.

Dell provides several online and telephone-based support and service options. Availability varies by country and product, and some services may not be available in your area. To contact Dell for sales, technical support, or customer service issues:

- 1 Visit [support.dell.com](https://support.dell.com).
- 2 Verify your country or region in the **Choose A Country/Region** drop-down menu at the bottom of the page.
- 3 Click **Contact Us** on the left side of the page.
- 4 Select the appropriate service or support link based on your need.
- 5 Choose the method of contacting Dell that is convenient for you.



# Glossary

This section defines or identifies technical terms, abbreviations, and acronyms used in your system documents.

**A** — Ampere(s).

**AC** — Alternating current.

**ACPI** — Advanced Configuration and Power Interface. A standard interface for enabling the operating system to direct configuration and power management.

**ambient temperature** — The temperature of the area or room where the system is located.

**ANSI** — American National Standards Institute. The primary organization for developing technology standards in the U.S.

**application** — Software designed to help you perform a specific task or series of tasks. Applications run from the operating system.

**ASCII** — American Standard Code for Information Interchange.

**asset tag** — An individual code assigned to a system, usually by an administrator, for security or tracking purposes.

**backup** — A copy of a program or data file. As a precaution, back up your system's hard drive on a regular basis. Before making a change to the configuration of your system, back up important start-up files from your operating system.

**backup battery** — A battery that maintains system configuration, date, and time information in a special section of memory when the system is turned off.

**beep code** — A diagnostic message in the form of a pattern of beeps from your system's speaker. For example, one beep, followed by a second beep, and then a burst of three beeps is beep code 1-1-3.

**BIOS** — Basic input/output system. Your system's BIOS contains programs stored on a flash memory chip. The BIOS controls the following:

- Communications between the processor and peripheral devices
- Miscellaneous functions, such as system messages

**bit** — The smallest unit of information interpreted by your system.

**blade** — A module that contains a processor, memory, and a hard drive. The modules are mounted into a chassis that includes power supplies and fans.

**BMC** — Baseboard management controller.

**boot routine** — A program that clears all memory, initializes devices, and loads the operating system when you start your system. Unless the operating system fails to respond, you can reboot (also called *warm boot*) your system by pressing <Ctrl><Alt><Del>. Otherwise, you must restart the system by pressing the reset button or by turning the system off and then back on.

**bootable diskette** — A diskette that is used to start your system if the system will not boot from the hard drive.

**BTU** — British thermal unit.

**bus** — An information pathway between the components of a system. Your system contains an expansion bus that allows the processor to communicate with controllers for the peripheral devices connected to the system. Your system also contains an address bus and a data bus for communications between the processor and RAM.

**C** — Celsius.

**cache** — A fast storage area that keeps a copy of data or instructions for quick data retrieval. When a program makes a request to a disk drive for data that is in the cache, the disk-cache utility can retrieve the data from RAM faster than from the disk drive.

**CD** — Compact disc. CD drives use optical technology to read data from CDs.

**cm** — Centimeter(s).

**cmos** — Complementary metal-oxide semiconductor.

**component** — As they relate to DMI, components include operating systems, computer systems, expansion cards, and peripherals that are compatible with DMI. Each component is made up of groups and attributes that are defined as relevant to that component.

**COM** — The device names for the serial ports on your system.

**control panel** — The part of the system that contains indicators and controls, such as the power button and power indicator.

**controller** — A chip that controls the transfer of data between the processor and memory or between the processor and a peripheral.

**conventional memory** — The first 640 KB of RAM. Conventional memory is found in all systems. Unless they are specially designed, MS-DOS® programs are limited to running in conventional memory.

**coprocessor** — A chip that relieves the system's processor of specific processing tasks. A math coprocessor, for example, handles numeric processing.

**CPU** — Central processing unit. See *processor*.

**DC** — Direct current.

**DDR** — Double-data rate. A technology in memory modules that potentially doubles the output.

**device driver** — A program that allows the operating system or some other program to interface correctly with a peripheral. Some device drivers—such as network drivers—must be loaded from the `config.sys` file or as memory-resident programs (usually, from the `autoexec.bat` file). Others must load when you start the program for which they were designed.

**DHCP** — Dynamic Host Configuration Protocol. A method of automatically assigning an IP address to a client system.

**diagnostics** — A comprehensive set of tests for your system.

**DIMM** — Dual in-line memory module. See also *memory module*.

**DIN** — *Deutsche Industrie Norm*.

**directory** — Directories help keep related files organized on a disk in a hierarchical, “inverted tree” structure. Each disk has a “root” directory. Additional directories that branch off the root directory are called *subdirectories*. Subdirectories may contain additional directories branching off them.

**DMA** — Direct memory access. A DMA channel allows certain types of data transfer between RAM and a device to bypass the processor.

**DMI** — Desktop Management Interface. DMI enables the management of your system’s software and hardware by collecting information about the system’s components, such as the operating system, memory, peripherals, expansion cards, and asset tag.

**DNS** — Domain Name System. A method of translating Internet domain names, such as `www.dell.com`, into IP addresses, such as 143.166.83.200.

**DRAM** — Dynamic random-access memory. A system’s RAM is usually made up entirely of DRAM chips.

**DVD** — Digital versatile disc.

**ECC** — Error checking and correction.

**EEPROM** — Electronically erasable programmable read-only memory.

**EMC** — Electromagnetic compatibility.

**EMI** — Electromagnetic interference.

**ERA** — Embedded remote access. ERA allows you to perform remote, or “out-of-band,” server management on your network server using a remote access controller.

**ESD** — Electrostatic discharge.

**ESM** — Embedded server management.

**expansion bus** — Your system contains an expansion bus that allows the processor to communicate with controllers for peripherals, such as NICs.

**expansion card** — An add-in card, such as a NIC or SCSI adapter, that plugs into an expansion-card connector on the system board. An expansion card adds some specialized function to the system by providing an interface between the expansion bus and a peripheral.

**expansion-card connector** — A connector on the system board or riser board for plugging in an expansion card.

**F** — Fahrenheit.

**FAT** — File allocation table. The file system structure used by MS-DOS to organize and keep track of file storage. The Microsoft® Windows® operating systems can optionally use a FAT file system structure.

**flash memory** — A type of EEPROM chip that can be reprogrammed from a utility on diskette while still installed in a system; most EEPROM chips can only be rewritten with special programming equipment.

**format** — To prepare a hard drive or diskette for storing files. An unconditional format deletes all data stored on the disk.

**FSB** — Front-side bus. The FSB is the data path and physical interface between the processor and the main memory (RAM).

**ft** — Feet.

**FTP** — File transfer protocol.

**g** — Gram(s).

**G** — Gravities.

**Gb** — Gigabit(s); 1024 megabits or 1,073,741,824 bits.

**GB** — Gigabyte(s); 1024 megabytes or 1,073,741,824 bytes. However, when referring to hard-drive capacity, the term is usually rounded to 1,000,000,000 bytes.

**graphics mode** — A video mode that can be defined as  $x$  horizontal by  $y$  vertical pixels by  $z$  colors.

**group** — As it relates to DMI, a group is a data structure that defines common information, or attributes, about a manageable component.

**guarding** — A type of data redundancy in which a set of physical drives stores data and an additional drive stores parity data. See also *mirroring*, *striping*, and *RAID*.

**h** — Hexadecimal. A base-16 numbering system, often used in programming to identify addresses in the system's RAM and I/O memory addresses for devices. In text, hexadecimal numbers are often followed by *h*.

**headless system** — A system or device that functions without having a keyboard, mouse, or monitor attached. Normally, headless systems are managed over a network using an Internet browser.

**host adapter** — A host adapter implements communication between the system's bus and the controller for a peripheral device. (Hard-drive controller subsystems include integrated host adapter circuitry.) To add a SCSI expansion bus to your system, you must install or connect the appropriate host adapter.

**Hz** — Hertz.

**I/O** — Input/output. A keyboard is an input device, and a monitor is an output device. In general, I/O activity can be differentiated from computational activity.

**ID** — Identification.

**IDE** — Integrated drive electronics. A standard interface between the system board and storage devices.

**integrated mirroring** — Provides simultaneous physical mirroring of two drives. Integrated mirroring functionality is provided by the system's hardware. See also *mirroring*.

**internal processor cache** — An instruction and data cache built into the processor.

**IP** — Internet Protocol.

**IPX** — Internet package exchange.

**IRQ** — Interrupt request. A signal that data is about to be sent to or received by a peripheral device travels by an IRQ line to the processor. Each peripheral connection must be assigned an IRQ number. Two devices can share the same IRQ assignment, but you cannot operate both devices simultaneously.

**jumper** — Small blocks on a circuit board with two or more pins emerging from them. Plastic plugs containing a wire fit down over the pins. The wire connects the pins and creates a circuit, providing a simple and reversible method of changing the circuitry in a board.

**K** — Kilo-; 1000.

**Kb** — Kilobit(s); 1024 bits.

**KB** — Kilobyte(s); 1024 bytes.

**Kbps** — Kilobit(s) per second.

**KBps** — Kilobyte(s) per second.

**key combination** — A command requiring you to press multiple keys at the same time (for example, <Ctrl><Alt><Del>).

**kg** — Kilogram(s); 1000 grams.

**kHz** — Kiloherz.

**KMM** — Keyboard/monitor/mouse.

**KVM** — Keyboard/video/mouse. KVM refers to a switch that allows selection of the system from which the video is displayed and for which the keyboard and mouse are used.

**LAN** — Local area network. A LAN is usually confined to the same building or a few nearby buildings, with all equipment linked by wiring dedicated specifically to the LAN.

**lb** — Pound(s).

**LCD** — Liquid crystal display.

**LED** — Light-emitting diode. An electronic device that lights up when a current is passed through it.

**Linux** — An operating system similar to the UNIX<sup>®</sup> operating system that runs on a variety of hardware systems. Linux is open source software, which is freely available; however, the full distribution of Linux along with technical support and training are available for a fee from vendors such as Red Hat<sup>®</sup> Software.

**local bus** — On a system with local-bus expansion capability, certain peripheral devices (such as the video adapter circuitry) can be designed to run much faster than they would with a traditional expansion bus. See also *bus*.

**LVD** — Low voltage differential.

**m** — Meter(s).

**mA** — Milliampere(s).

**MAC address** — Media Access Control address. Your system's unique hardware number on a network.

**mAh** — Milliampere-hour(s).

**Mb** — Megabit(s); 1,048,576 bits.

**MB** — Megabyte(s); 1,048,576 bytes. However, when referring to hard-drive capacity, the term is often rounded to mean 1,000,000 bytes.

**Mbps** — Megabits per second.

**MBps** — Megabytes per second.

**MBR** — Master boot record.

**memory address** — A specific location, usually expressed as a hexadecimal number, in the system's RAM.

**memory module** — A small circuit board containing DRAM chips that connects to the system board.



**memory** — An area in your system that stores basic system data. A system can contain several different forms of memory, such as integrated memory (ROM and RAM) and add-in memory modules (DIMMs).

**MHz** — Megahertz.

**mirroring** — A type of data redundancy in which a set of physical drives stores data and one or more sets of additional drives stores duplicate copies of the data. Mirroring functionality is provided by software. See also *guarding*, *integrated mirroring*, *striping*, and *RAID*.

**mm** — Millimeter(s).

**ms** — Millisecond(s).

**MS-DOS®** — Microsoft Disk Operating System.

**NAS** — Network Attached Storage. NAS is one of the concepts used for implementing shared storage on a network. NAS systems have their own operating systems, integrated hardware, and software that are optimized to serve specific storage needs.

**NIC** — Network interface controller. A device that is installed or integrated in a system to allow connection to a network.

**NMI** — Nonmaskable interrupt. A device sends an NMI to signal the processor about hardware errors.

**ns** — Nanosecond(s).

**NTFS** — The NT File System option in the Windows 2000 operating system.

**NVRAM** — Nonvolatile random-access memory. Memory that does not lose its contents when you turn off your system. NVRAM is used for maintaining the date, time, and system configuration information.

**parity** — Redundant information that is associated with a block of data.

**partition** — You can divide a hard drive into multiple physical sections called *partitions* with the **fdisk** command. Each partition can contain multiple logical drives. You must format each logical drive with the **format** command.

**PCI** — Peripheral Component Interconnect. A standard for local-bus implementation.

**PDU** — Power distribution unit. A power source with multiple power outlets that provides electrical power to servers and storage systems in a rack.

**peripheral** — An internal or external device, such as a diskette drive or keyboard, connected to a system.

**PGA** — Pin grid array. A type of processor socket that allows you to remove the processor chip.

**pixel** — A single point on a video display. Pixels are arranged in rows and columns to create an image. A video resolution, such as 640 x 480, is expressed as the number of pixels across by the number of pixels up and down.

**POST** — Power-on self-test. Before the operating system loads when you turn on your system, the POST tests various system components such as RAM and hard drives.

**processor** — The primary computational chip inside the system that controls the interpretation and execution of arithmetic and logic functions. Software written for one processor must usually be revised to run on another processor. *CPU* is a synonym for processor.

**protected mode** — An operating mode that allows operating systems to implement:

- A memory address space of 16 MB to 4 GB
- Multitasking
- Virtual memory, a method for increasing addressable memory by using the hard drive

The Windows 2000 and UNIX 32-bit operating systems run in protected mode. MS-DOS cannot run in protected mode.

**PS/2** — Personal System/2.

**PXE** — Preboot eXecution Environment. A way of booting a system via a LAN (without a hard drive or bootable diskette).

**RAC** — Remote access controller.

**RAID** — Redundant array of independent disks. A method of providing data redundancy. Some common implementations of RAID include RAID 0, RAID 1, RAID 5, RAID 10, and RAID 50. See also *guarding*, *mirroring*, and *striping*.

**RAM** — Random-access memory. The system's primary temporary storage area for program instructions and data. Any information stored in RAM is lost when you turn off your system.

**RAS** — Remote Access Service. This service allows users running the Windows operating system to remotely access a network from their system using a modem.

**readme file** — A text file, usually shipped with software or hardware, that contains information supplementing or updating the product's documentation.

**read-only file** — A read-only file is one that you are prohibited from editing or deleting.

**ROM** — Read-only memory. Your system contains some programs essential to its operation in ROM code. A ROM chip retains its contents even after you turn off your system. Examples of code in ROM include the program that initiates your system's boot routine and the POST.

**ROMB** — RAID on motherboard.

**rpm** — Revolutions per minute.

**RTC** — Real-time clock.

**SAS** — Serial-attached SCSI.

**SATA** — Serial Advanced Technology Attachment. A standard interface between the system board and storage devices.

**SCSI** — Small computer system interface. An I/O bus interface with faster data transmission rates than standard ports.

**SDRAM** — Synchronous dynamic random-access memory.

**sec** — Second(s).

**serial port** — An I/O port used most often to connect a modem to your system. You can usually identify a serial port on your system by its 9-pin connector.

**service tag** — A bar code label on the system used to identify it when you call Dell for technical support.

**simple disk volume** — The volume of free space on a single dynamic, physical disk.

**SMART** — Self-Monitoring Analysis and Reporting Technology. Allows hard drives to report errors and failures to the system BIOS and then display an error message on the screen.

**SMP** — Symmetric multiprocessing. Used to describe a system that has two or more processors connected via a high-bandwidth link and managed by an operating system, where each processor has equal access to I/O devices.

**SNMP** — Simple Network Management Protocol. A standard interface that allows a network manager to remotely monitor and manage workstations.

**spanning** — Spanning, or concatenating, disk volumes combines unallocated space from multiple disks into one logical volume, allowing more efficient use of all the space and all drive letters on a multiple-disk system.

**striping** — Disk striping writes data across three or more disks in an array, but only uses a portion of the space on each disk. The amount of space used by a "stripe" is the same on each disk used. A virtual disk may use several stripes on the same set of disks in an array. See also *guarding*, *mirroring*, and *RAID*.

**SVGA** — Super video graphics array. VGA and SVGA are video standards for video adapters with greater resolution and color display capabilities than previous standards.

**system board** — As the main circuit board, the system board usually contains most of your system's integral components, such as the processor, RAM, controllers for peripherals, and various ROM chips.

**system configuration information** — Data stored in memory that tells a system what hardware is installed and how the system should be configured for operation.

**system diskette** — See *bootable diskette*.

**system memory** — See RAM.

**System Setup program** — A BIOS-based program that allows you to configure your system's hardware and customize the system's operation by setting features such as password protection. Because the System Setup program is stored in NVRAM, any settings remain in effect until you change them again.

**system.ini file** — A start-up file for the Windows operating system. When you start Windows, it consults the **system.ini** file to determine a variety of options for the Windows operating environment. Among other things, the **system.ini** file records which video, mouse, and keyboard drivers are installed for Windows.

**TCP/IP** — Transmission Control Protocol/Internet Protocol.

**termination** — Some devices (such as the last device at each end of a SCSI cable) must be terminated to prevent reflections and spurious signals in the cable. When such devices are connected in a series, you may need to enable or disable the termination on these devices by changing jumper or switch settings on the devices or by changing settings in the configuration software for the devices.

**TOE** — TCP/IP offload engine.

**UNIX** — Universal Internet Exchange. UNIX, the precursor to Linux, is an operating system written in the C programming language.

**uplink port** — A port on a network hub or switch used to connect to other hubs or switches without requiring a crossover cable.

**UPS** — Uninterruptible power supply. A battery-powered unit that automatically supplies power to your system in the event of an electrical failure.

**USB** — Universal Serial Bus. A USB connector provides a single connection point for multiple USB-compliant devices, such as mice and keyboards. USB devices can be connected and disconnected while the system is running.

**utility** — A program used to manage system resources—memory, disk drives, or printers, for example.

**UTP** — Unshielded twisted pair. A type of wiring used to connect systems in a business or home to a telephone line.

**V** — Volt(s).

**VAC** — Volt(s) alternating current.

**VDC** — Volt(s) direct current.

**VGA** — Video graphics array. VGA and SVGA are video standards for video adapters with greater resolution and color display capabilities than previous standards.

**video adapter** — The logical circuitry that provides (in combination with the monitor) your system's video capabilities. A video adapter may be integrated into the system board or may be an expansion card that plugs into an expansion slot.

**video driver** — A program that allows graphics-mode application programs and operating systems to display at a chosen resolution with the desired number of colors. Video drivers may need to match the video adapter installed in the system.

**video memory** — Most VGA and SVGA video adapters include memory chips in addition to your system's RAM. The amount of video memory installed primarily influences the number of colors that a program can display (with the appropriate video drivers and monitor capabilities).

**video resolution** — Video resolution (800 x 600, for example) is expressed as the number of pixels across by the number of pixels up and down. To display a program at a specific graphics resolution, you must install the appropriate video drivers and your monitor must support the resolution.

**W** — Watt(s).

**WH** — Watt-hour(s).

**win.ini file** — A start-up file for the Windows operating system. When you start Windows, it consults the **win.ini** file to determine a variety of options for the Windows operating environment. The **win.ini** file also usually includes sections that contain optional settings for Windows application programs that are installed on the hard drive.

**Windows 2000** — An integrated and complete Microsoft Windows operating system that does not require MS-DOS and that provides advanced operating system performance, improved ease of use, enhanced workgroup functionality, and simplified file management and browsing.

**Windows Powered** — A Windows operating system designed for use on NAS systems. For NAS systems, the Windows Powered operating system is dedicated to file service for network clients.

**Windows Server 2003** — A set of Microsoft software technologies that enable software integration through the use of XML Web services. XML Web services are small reusable applications written in XML that allow data to be communicated between otherwise unconnected sources.

**XML** — Extensible Markup Language. XML is a way to create common information formats and to share both the format and the data on the World Wide Web, intranets, and elsewhere.

**ZIF** — Zero insertion force.



# Index

## Numerics

- 3.5-inch drive
  - installing, 52
  - removing, 52
- 5.25-inch drive
  - installing, 60
  - removing, 60

## A

- alert messages, 27
- assigning passwords, 39

## B

- battery
  - installing, 89
  - removing, 90
  - troubleshooting, 114
- bezel
  - installing, 97
  - removing, 96
  - replacing, 97
- bezel (front drive)
  - insert, 50
  - removing, 49
  - replacing, 49

## C

- cable clip, 93
- CD/DVD drive
  - installing, 60
  - removing, 57
  - troubleshooting, 122
- chassis intrusion switch
  - installing, 95
  - removing, 94
  - replacing, 95
- checking equipment, 106
- closing the system, 47
- connecting external devices, 14
- connectors, 137
  - back-panel, 13
  - front-panel, 11
  - NICs, 13
  - serial port, 13
  - USB, 11, 13
  - video, 13
- Console Redirection screen, 36
- contacting Dell, 141
- cooling fans
  - installing, 87
  - removing, 84
  - replacing, 87
  - troubleshooting, 117
- CPU Information screen, 33

## D

damaged systems  
troubleshooting, 114

Dell

contacting, 141

diagnostics

advanced testing options, 133

testing options, 132

when to use, 132

DIMM

sockets, 76

diskette drive

installing, 54

removing, 52

replacing, 54

troubleshooting, 120

drive

removing, 57

DVD drive. *See* CD/DVD drive.

## E

error messages, 29

expansion cards, 70

installing, 73

removing, 70

replacing, 73

troubleshooting, 127

external devices

connecting, 14

## F

features

back-panel, 13

front-panel, 11

## H

hard drive

installing, 66

removing, 64

troubleshooting, 124

## I

I/O panel

installing, 99

replacing, 99

indicators

back-panel, 13

front-panel, 11

NIC, 14

insert on front drive bezel

removing, 50

replacing, 50

installing

3.5-inch drive, 52

5.25-inch drive, 60

bezel, 97

CD/DVD drive, 60

chassis intrusion switch, 95

cooling fans, 87

diskette drive, 54

expansion cards, 73



- hard drive, 66
- I/O panel, 99
- memory, 78
- optical drive, 60
- power supply, 94
- processor, 83
- system battery, 89
- system board, 103
- tape drive, 60

Integrated Devices screen, 35

## **J**

jumpers, 135

## **K**

keyboard  
troubleshooting, 107

## **M**

memory  
4-GB configurations, 77  
branches, 76  
channels, 76  
installing, 78  
removing, 78  
replacing, 78  
troubleshooting, 118  
upgrade kits, 76

messages  
alert, 27

error messages, 29  
system, 18  
warning, 27

microprocessor  
removing, 81  
replacing, 83  
troubleshooting, 129

mouse  
troubleshooting, 107

## **N**

navigation keys  
system setup program, 30

NICs

connectors, 13  
indicators, 14  
troubleshooting, 112

## **O**

opening the system, 47

optical drive  
installing, 60  
removing, 57

## **P**

password  
disabling, 139

phone numbers, 141

POST

- accessing system features, 10
- power supply
  - installing, 94
  - removing, 92
  - replacing, 94
  - troubleshooting, 115
- processor
  - installing, 83
  - removing, 81
  - replacing, 83
  - troubleshooting, 129

## R

- recommended tools, 45
- removing
  - 3.5-inch drive, 52
  - 5.25-inch drive, 60
  - bezel, 96
  - CD/DVD drive, 57
  - chassis intrusion switch, 94
  - cooling fans, 84
  - diskette drive, 52
  - expansion cards, 70
  - front drive bezel, 49
  - hard drive, 64
  - memory, 78
  - optical drive, 57
  - power supply, 92
  - processor, 81
  - system battery, 90
  - system board, 102
  - tape drive, 57
- replacing

- bezel, 97
- chassis intrusion switch, 95
- cooling fans, 87
- diskette drive, 54
- expansion cards, 73
- front drive bezel, 49
- I/O panel, 99
- memory, 78
- power supply, 94
- processor, 83
- system board, 103

## S

- safety, 105
- SAS controller card
  - installing, 74
  - troubleshooting, 125
- SAS hard drive. *See* hard drive.
- SATA hard drive. *See* hard drive.
- securing your system, 40
- serial port
  - connector, 13
- setup password
  - assigning, 42
  - changing, 43
  - features, 38
  - working with, 42
- startup
  - accessing system features, 10
- support
  - contacting Dell, 141

- system
  - closing, 47
  - opening, 47
- system battery
  - removing, 90
- system board
  - connectors, 137
  - installing, 103
  - jumpers, 135
  - removing, 102
  - replacing, 103
- system cooling
  - troubleshooting, 116
- system features
  - accessing, 10
- system messages, 18
- system password
  - assigning, 39
  - changing, 41
  - deleting, 41
  - features, 38
- System Security screen, 36
- system setup program
  - Console Redirection screen, 36
  - CPU Information screen, 33
  - entering, 29
  - Integrated Devices screen, 35
  - main screen, 30
  - navigation keys, 30
  - System Security screen, 36

## T

- tape drive
  - removing, 57
  - troubleshooting, 123
- tapedrive
  - installing, 60
- telephone numbers, 141
- troubleshooting
  - CD/DVD drive, 122
  - cooling fans, 117
  - damaged system, 114
  - diskette drive, 120
  - expansion cards, 127
  - external connections, 106
  - hard drive, 124
  - keyboard, 107
  - memory, 118
  - microprocessor, 129
  - mouse, 107
  - NIC, 112
  - power supply, 115
  - SAS controller card, 125
  - start-up routine, 105
  - system battery, 114
  - system cooling, 116
  - tape drive, 123
  - USB device, 110
  - video, 106
  - wet system, 113

## U

- upgrade kits
  - memory, 76

## USB device

- connectors (back panel), 13
- connectors (front panel), 11
- troubleshooting, 110

## V

### video

- connector, 13
- troubleshooting, 106

## W

warning messages, 27

warranty, 9

### wet system

- troubleshooting, 113