

Lenovo V110-15IKB Hardware Maintenance Manual

Lenovo[™]

Note:

- Before using this information and the product it supports, be sure to read the general information under “Notices” on page 77.

First Edition (April 2017)

© Copyright Lenovo 2017. All rights reserved.

LIMITED AND RESTRICTED RIGHTS NOTICE: If data or software is delivered pursuant a General Services Administration “GSA” contract, use, reproduction, or disclosure is subject to restrictions set forth in Contract No. GS-35F-05925.

© 2017 Lenovo

Contents

About this manual	iv	1050 Speaker	42
Safety information	1	1060 IO board	44
General safety	2	1070 PCI Express Mini Card for wireless LAN	45
Electrical safety	3	1080 ODD board	47
Safety inspection guide	5	1090 DIMM	48
Handling devices that are sensitive to electrostatic discharge	6	1100 Fan assembly and Heat Sink assembly	49
Grounding requirements	6	1110 System board	51
Safety notices: multilingual translations	7	1120 Upper case	53
Laser compliance statement	14	1130 LCD unit	57
Important service information	16	1140 LCD hinges	59
Strategy for replacing FRUs	16	1150 Integrated camera, LCD cable and antenna assembly	60
Strategy for replacing a hard disk drive	17	Locations	63
Important notice for replacing a system board	17	Front view and right-side view	63
Important information about replacing RoHS compliant FRUs	18	Bottom and Left-side view	64
General checkout	19	Parts list	65
What to do first	20	Overall	66
Power system checkout	21	LCD FRUs	70
Checking the AC adapter	21	Miscellaneous parts	72
Checking operational charging	22	AC adapters	73
Checking the battery pack	22	Screws	73
Related service information	23	Power cords	74
Restoring the factory contents by using OneKey Recovery	23	Notices	77
Restore of factory default	23	Trademarks	78
Passwords	24		
Power-on password	24		
Hard-disk password	24		
Administrator password	24		
Power management	25		
Screen blank state	25		
Putting the computer to sleep or shutting it down	25		
Putting your computer to sleep	25		
Shutting down the computer	26		
Lenovo V110-15IKB	27		
Specifications	27		
Status indicators	29		
Hotkeys	31		
FRU replacement notices	32		
Screw notices	32		
Removing and replacing an FRU	33		
1010 Optical drive	34		
1020 Base cover	35		
1030 Battery pack	37		
1040 Hard disk drive	39		

About this manual

This manual contains service and reference information for the following Lenovo product:

Lenovo V110-15IKB

Use this manual to troubleshoot problems.

The manual is divided into the following sections:

- The common sections provide general information, guidelines, and safety information required for servicing computers.
- The product-specific section includes service, reference, and product-specific parts information.

Important:

This manual is intended only for trained servicers who are familiar with Lenovo products. Use this manual to troubleshoot problems effectively.

Before servicing a Lenovo product, make sure to read all the information under “Safety information” on page 1 and “Important service information” on page 16.

Safety information

This chapter presents the following safety information that you need to get familiar with before you service a Lenovo V110-15IKB computer:

- “General safety” on page 2
- “Electrical safety” on page 3
- “Safety inspection guide” on page 5
- “Handling devices that are sensitive to electrostatic discharge” on page 6
- “Grounding requirements” on page 6
- “Safety notices: multilingual translations” on page 7
- “Laser compliance statement” on page 14

General safety

Follow these rules below to ensure general safety:

- Observe a good housekeeping in the area where the machines are put during and after the maintenance.
- When lifting any heavy object:
 1. Make sure that you can stand safely without slipping.
 2. Distribute the weight of the object equally between your feet.
 3. Use a slow lifting force. Never move suddenly or twist when you attempt to lift it.
 4. Lift it by standing or pushing up with your leg muscles; this action could avoid the strain from the muscles in your back. Do not attempt to lift any object that weighs more than 16 kg (35 lb) or that you think is too heavy for you.
- Do not perform any action that causes hazards to the customer, or that makes the machine unsafe.
- Before you start the machine, make sure that other service representatives and the customer are not in a hazardous position.
- Please remove covers and other parts in a safe place, away from all personnel, while you are servicing the machine.
- Keep your toolcase away from walk areas so that other people will not trip over it.
- Do not wear loose clothing that can be trapped in the moving parts of the machine. Make sure that your sleeves are fastened or rolled up above your elbows. If your hair is long, fasten it.
- Insert the ends of your necktie or scarf inside clothing or fasten it with the nonconductive clip, about 8 centimeters (3 inches) from the end.
- Do not wear jewelry, chains, metal-frame eyeglasses, or metal fasteners for your clothing.

Attention: Metal objects are good electrical conductors.
- Wear safety glasses when you are hammering, drilling, soldering, cutting wire, attaching springs, using solvents, or working in any other conditions that may be hazardous to your eyes.
- After service, reinstall all safety shields, guards, labels, and ground wires. Replace any safety device that is worn or defective.
- Reinstall all covers correctly before returning the machine to the customer.
- Fan louvers on the machine help to prevent the overheating of internal components. Do not obstruct fan louvers or cover them with labels or stickers.

Electrical safety

Observe the following rules when working on electrical equipments.

Important:

Use only approved tools and test equipments. Some hand tools have handles covered with a soft material that does not insulate you when working with live electrical currents.

Many customers have rubber floor mats near their machines that contain small conductive fibers to decrease electrostatic discharges. Do not use such kind of mat to protect yourself from electrical shock.

- Find the room emergency power-off (EPO) switch, disconnecting switch or electrical outlet. If an electrical accident occurs, you can then operate the switch or unplug the power cord quickly.
- Do not work alone under hazardous conditions or near the equipment that has hazardous voltages.
- Disconnect all power before:
 - Performing a mechanical inspection
 - Working near power supplies
 - Removing or installing main units
- Before you start to work on the machine, unplug the power cord. If you cannot unplug it, ask the customer to power-off the wall box that supplies power to the machine, and to lock the wall box in the off position.
- If you need to work on a machine that has exposed electrical circuits, observe the following precautions:
 - Ensure that another person, familiar with the power-off controls, is near you.
Attention: Another person must be there to switch off the power, if necessary.
 - Use only one hand when working with powered-on electrical equipment; keep the other hand in your pocket or behind your back.
Attention: An electrical shock can occur only when there is a complete circuit. By observing the above rule, you may prevent a current from passing through your body.
 - When using testers, set the controls correctly and use the approved probe leads and accessories for that tester.
 - Stand on suitable rubber mats (obtained locally, if necessary) to insulate you from grounds such as metal floor strips and machine frames.

Observe the special safety precautions when you work with very high voltages; instructions for these precautions are in the safety sections of maintenance information. Be extremely careful when you measure the high voltages.

- Regularly inspect and maintain your electrical hand tools for safe operational condition.
- Do not use worn or broken tools and testers.
- Never assume that power has been disconnected from a circuit. First, check it to make sure that it has been powered off.

- Always look carefully for possible hazards in your work area. Examples of these hazards are moist floors, nongrounded power extension cables, power surges, and missing safety grounds.
- Do not touch live electrical circuits with the reflective surface of a plastic dental mirror. The surface is conductive; such touching can cause personal injury and machine damage.
- Do not service the following parts with the power on when they are removed from their normal operating places in a machine:
 - Power supply units
 - Pumps
 - Blowers and fans
 - Motor generatorsand similar units. (This practice ensures correct grounding of the units.)
- If an electrical accident occurs:
 - Caution: do not become a victim yourself.
 - Switch off the power.
 - Send the victim to get medical aid.

Safety inspection guide

The purpose of this inspection guide is to assist you in identifying potential unsafe conditions. As each machine was designed and built, required safety items were installed to protect users and service personnel from injury. This guide addresses only those items. You should use good judgment to identify potential safety hazards according to the attachment of non-Lenovo features or options not covered by this inspection guide.

If any unsafe conditions are present, you must determine how serious the apparent hazard could be and whether you can continue without first correcting the problem.

Consider these conditions and the safety hazards they present:

- Electrical hazards, especially primary power (primary voltage on the frame can cause serious or fatal electrical shock)
- Explosive hazards, such as a damaged CRT face or a bulging capacitor
- Mechanical hazards, such as loose or missing hardware

To determine whether there are any potential unsafe conditions, use the following checklist at the beginning of every service task. Begin the checks with the power off, and the power cord disconnected.

Checklist:

1. Check exterior covers for damage (loose, broken, or sharp edges).
2. Turn off the computer. Disconnect the power cord.
3. Check the power cord for:
 - a. A third-wire ground connector in good condition. Use a meter to measure third-wire ground continuity for 0.1 ohm or less between the external ground pin and the frame ground.
 - b. The power cord should be the type specified in the parts list.
 - c. Insulation must not be frayed or worn.
4. Check for cracked or bulging batteries.
5. Remove the cover.
6. Check for any obvious non-Lenovo alterations. Use good judgment as to the safety of any non-Lenovo alterations.
7. Check inside the unit for any obvious unsafe conditions, such as metal filings, contamination, water or other liquids, or signs of fire or smoke damage.
8. Check for worn, frayed, or pinched cables.
9. Check that the power-supply cover fasteners (screws or rivets) have not been removed or tampered with.

Handling devices that are sensitive to electrostatic discharge

Any computer part containing transistors or integrated circuits (ICs) should be considered sensitive to electrostatic discharge (ESD). ESD damage can occur when there is a difference in charge between objects. Protect against ESD damage by equalizing the charge so that the machine, the part, the work mat, and the person handling the part are all at the same charge.

Notes:

1. Use product-specific ESD procedures when they exceed the requirements noted here.
2. Make sure that the ESD protective devices you use have been certified (ISO 9000) as fully effective.

When handling ESD-sensitive parts:

- Keep the parts in protective packages until they are inserted into the product.
- Avoid contact with other people.
- Wear a grounded wrist strap against your skin to eliminate static on your body.
- Prevent the part from touching your clothing. Most clothing is insulative and retains a charge even when you are wearing a wrist strap.
- Use the black side of a grounded work mat to provide a static-free work surface. The mat is especially useful when handling ESD-sensitive devices.
- Select a grounding system, such as those listed below, to provide protection that meets the specific service requirement.

Note:

The use of a grounding system to guard against ESD damage is desirable but not necessary.

- Attach the ESD ground clip to any frame ground, ground braid, or green-wire ground.
- When working on a double-insulated or battery-operated system, use an ESD common ground or reference point. You can use coax or connector-outside shells on these systems.
- Use the round ground prong of the ac plug on ac-operated computers.

Grounding requirements

Electrical grounding of the computer is required for operator safety and correct system function. Proper grounding of the electrical outlet can be verified by a certified electrician.

Safety notices: multilingual translations

The safety notices in this section are provided in English, French, German, Hebrew, Italian, Japanese, and Spanish.

Safety notice 1

Before the computer is powered on after FRU replacement, make sure all screws, springs, and other small parts are in place and are not left loose inside the computer. Verify this by shaking the computer and listening for rattling sounds. Metallic parts or metal flakes can cause electrical shorts.

Avant de remettre l'ordinateur sous tension après remplacement d'une unité en clientèle, vérifiez que tous les ressorts, vis et autres pièces sont bien en place et bien fixées. Pour ce faire, secouez l'unité et assurez-vous qu'aucun bruit suspect ne se produit. Des pièces métalliques ou des copeaux de métal pourraient causer un court-circuit.

Bevor nach einem FRU-Austausch der Computer wieder angeschlossen wird, muß sichergestellt werden, daß keine Schrauben, Federn oder andere Kleinteile fehlen oder im Gehäuse vergessen wurden. Der Computer muß geschüttelt und auf Klappergeräusche geprüft werden. Metallteile oder-splitter können Kurzschlüsse erzeugen.

לפני הפעלת המחשב לאחר החלפת FRU יש לוודא שכל הברגים, הקפיצים, וחלקים קטנים אחרים נמצאים במקומם ואינם חופשיים לזוז בתוך המחשב. כדי לוודא זאת, יש לטלטל את המחשב ולהקשיב לגילגולי קולות ששוק. חלקי או שבבי מתכת עלולים לגרום לקצרים חשמליים.

Prima di accendere l'elaboratore dopo che é stata effettuata la sostituzione di una FRU, accertarsi che tutte le viti, le molle e tutte le altri parti di piccole dimensioni siano nella corretta posizione e non siano sparse all'interno dell'elaboratore. Verificare ciò scuotendo l'elaboratore e prestando attenzione ad eventuali rumori; eventuali parti o pezzetti metallici possono provocare cortocircuiti pericolosi.

FRUの交換後、コンピュータの電源を入れる前に、ねじ、バネ、その他の小さな部品がすべて正しい位置にあり、またコンピュータの内部で緩んでいないことを確認してください。これを確認するには、コンピュータを振って、カチャカチャと音がしないか確かめます。金属部品や金属破片はショートの原因になることがあります。

Antes de encender el sistema despues de sustituir una FRU, compruebe que todos los tornillos, muelles y demás piezas pequeñas se encuentran en su sitio y no se encuentran sueltas dentro del sistema. Compruébelo agitando el sistema y escuchando los posibles ruidos que provocarían. Las piezas metálicas pueden causar cortocircuitos eléctricos.

Safety notice 2

DANGER

Some standby batteries contain a small amount of nickel and cadmium. Do not disassemble a standby battery, recharge it, throw it into fire or water, or short-circuit it. Dispose of the battery as required by local ordinances or regulations. Use only the battery in the appropriate parts listing. Use of an incorrect battery can result in ignition or explosion of the battery.

Certaines batteries de secours contiennent du nickel et du cadmium. Ne les démontez pas, ne les rechargez pas, ne les exposez ni au feu ni à l'eau. Ne les mettez pas en court-circuit. Pour les mettre au rebut, conformez-vous à la réglementation en vigueur. Lorsque vous remplacez la pile de sauvegarde ou celle de l'horloge temps réel, veillez à n'utiliser que les modèles cités dans la liste de pièces détachées adéquate. Une batterie ou une pile inappropriée risque de prendre feu ou d'exploser.

Die Bereitschaftsbatterie, die sich unter dem Diskettenlaufwerk befindet, kann geringe Mengen Nickel und Cadmium enthalten. Sie darf nicht zerlegt, wiederaufgeladen, kurzgeschlossen, oder Feuer oder Wasser ausgesetzt werden. Bei der Entsorgung die örtlichen Bestimmungen für Sondermüll beachten. Beim Ersetzen der Bereitschafts- oder Systembatterie nur Batterien des Typs verwenden, der in der Ersatzteilliste aufgeführt ist. Der Einsatz falscher Batterien kann zu Entzündung oder Explosion führen.

סוללות המתנה מסוימות מכילות כמות קטנה של ניקל וקדמיום. אין לפרק סוללות המתנה, לטעון אותה מחדש, להשליך אותה לאש או למים או לקצר אותה. יש לשלוק את הסוללה בנדרש על ידי התקנות והחוקים המקומיים. יש להשתמש רק בסוללה המומיפה ברשימת החלקים המתאימה. שימוש בסוללה לא מתאימה עלול לגרום להצתה או התפוצצות של הסוללה.

Alcune batterie di riserva contengono una piccola quantità di nichel e cadmio. Non smontarle, ricaricarle, gettarle nel fuoco o nell'acqua né cortocircuitarle. Smaltirle secondo la normativa in vigore (DPR 915/82, successive disposizioni e disposizioni locali). Quando si sostituisce la batteria dell'RTC (real time clock) o la batteria di supporto, utilizzare soltanto i tipi inseriti nell'appropriato Catalogo parti. L'impiego di una batteria non adatta potrebbe determinare l'incendio o l'esplosione della batteria stessa.

予備バッテリーの中には少量のニッケルとカドミウムが含まれているものがあります。したがって、予備バッテリーの分解、再充電、火または水の中への投棄、またはショートさせることは決して行わないでください。バッテリーを廃棄する場合は地方自治体の条例に従ってください。適切なパーツ・リストにあるバッテリーだけをを使用してください。誤ったバッテリーを使用すると、バッテリーが発火したり、爆発したりすることがあります。

Algunas baterías de reserva contienen una pequeña cantidad de níquel y cadmio. No las desmonte, ni recargue, ni las eche al fuego o al agua ni las cortocircuite. Deséchelas tal como dispone la normativa local. Utilice sólo baterías que se encuentren en la lista de piezas. La utilización de una batería no apropiada puede provocar la ignición o explosión de la misma.

Safety notice 3**⚠ DANGER**

The battery pack contains small amounts of nickel. Do not disassemble it, throw it into fire or water, or short-circuit it. Dispose of the battery pack as required by local ordinances or regulations. Use only the battery in the appropriate parts listing when replacing the battery pack. Use of an incorrect battery can result in ignition or explosion of the battery.

La batterie contient du nickel. Ne la démontez pas, ne l'exposez ni au feu ni à l'eau. Ne la mettez pas en court-circuit. Pour la mettre au rebut, conformez-vous à la réglementation en vigueur. Lorsque vous remplacez la batterie, veuillez à n'utiliser que les modèles cités dans la liste de pièces détachées adéquate. En effet, une batterie inappropriée risque de prendre feu ou d'exploser.

Akkus enthalten geringe Mengen von Nickel. Sie dürfen nicht zerlegt, wiederaufgeladen, kurzgeschlossen, oder Feuer oder Wasser ausgesetzt werden. Bei der Entsorgung die örtlichen Bestimmungen für Sondermüll beachten. Beim Ersetzen der Batterie nur Batterien des Typs verwenden, der in der Ersatzteilliste aufgeführt ist. Der Einsatz falscher Batterien kann zu Entzündung oder Explosion führen.

מאזו הסוללה מכיל כמות קטנה של ניקל וקדמיום. אין לפרק את מאזו הסוללה, להשליך אותו לאש או למים או לקצר אותו. יש לסלק את מאזו הסוללה הסוללה כנדרש על ידי התקנות החוקיים המקומיים. יש להשתמש רק בסוללה המוביעה ברשימת החלקים המתאימה בזמן החלפת מאזו הסוללה. שימוש בסוללה לא מתאימה עלול לגרום להצתה או התפוצצות של הסוללה.

La batteria contiene piccole quantità di nichel. Non smontarla, gettarla nel fuoco o nell'acqua né cortocircuitarla. Smaltirla secondo la normativa in vigore (DPR 915/82, successive disposizioni e disposizioni locali). Quando si sostituisce la batteria, utilizzare soltanto i tipi inseriti nell'appropriato Catalogo parti. L'impiego di una batteria non adatta potrebbe determinare l'incendio o l'esplosione della batteria stessa.

バッテリー・パックには少量のニッケルが含まれています。バッテリー・パックを分解したり、火または水の中に投げ込んだり、ショートさせないでください。バッテリー・パックの廃棄にあたっては、地方自治体の条例または規則に従ってください。バッテリー・パックを交換するときは、適切なパーツ・リストにあるバッテリーだけを使用してください。誤ったバッテリーを使用すると、バッテリーが発火したり、爆発したりすることがあります。

Las baterías contienen pequeñas cantidades de níquel. No las desmonte, ni recargue, ni las eche al fuego o al agua ni las cortocircuite. Deséchelas tal como dispone la normativa local. Utilice sólo baterías que se encuentren en la lista de piezas al sustituir la batería. La utilización de una batería no apropiada puede provocar la ignición o explosión de la misma.

Safety notice 4

DANGER

The lithium battery can cause a fire, an explosion, or a severe burn. Do not recharge it, remove its polarized connector, disassemble it, heat it above 100°C (212°F), incinerate it, or expose its cell contents to water. Dispose of the battery as required by local ordinances or regulations. Use only the battery in the appropriate parts listing. Use of an incorrect battery can result in ignition or explosion of the battery.

La pile de sauvegarde contient du lithium. Elle présente des risques d'incendie, d'explosion ou de brûlures graves. Ne la rechargez pas, ne retirez pas son connecteur polarisé et ne la démontez pas. Ne l'exposez pas à une température supérieure à 100°C, ne la faites pas brûler et n'en exposez pas le contenu à l'eau. Mettez la pile au rebut conformément à la réglementation en vigueur. Une pile inappropriée risque de prendre feu ou d'exploser.

Die Systematterie ist eine Lithiumatterie. Sie kann sich entzünden, explodieren oder schwere Verbrennungen hervorrufen. Batterien dieses Typs dürfen nicht aufgeladen, zerlegt, über 100 C erhitzt oder verbrannt werden. Auch darf ihr Inhalt nicht mit Wasser in Verbindung gebracht oder der zur richtigen Polung angebrachte Verbindungsstecker entfernt werden. Bei der Entsorgung die örtlichen Bestimmungen für Sondermüll beachten. Beim Ersetzen der Batterie nur Batterien des Typs verwenden, der in der Ersatzteilliste aufgeführt ist. Der Einsatz falscher Batterien kann zu Entzündung oder Explosion führen.

סוללת הליטיום עלולה לגרום לשריפה, להתפוצצות או לפגיעת עקשות. אין לטעון אותה מחדש, לנטות את המחבר המפוסב שלה, למרק אותה או לחמם אותה לטמפרטורה העולה על 100 מעלות צלזיוס. אין לשרוף את הסוללה ואין לחשוף את תוכן התא למים. יש לנטות את הסוללה כנדרש במקנות ובחוקים המקומיים. יש להשתמש רק בסוללה המומייעה ברשימת החלקים המתאימים. שימוש בסוללה אחרת עלול לגרום לטכנת שריפה או התפוצצות.

La batteria di supporto e una batteria al litio e puo incendiarsi, esplodere o procurare gravi ustioni. Evitare di ricaricarla, smontarne il connettore polarizzato, smontarla, riscaldarla ad una temperatura superiore ai 100 gradi centigradi, incendiarla o gettarla in acqua. Smaltirla secondo la normativa in vigore (DPR 915/82, successive disposizioni e disposizioni locali). L'impiego di una batteria non adatta potrebbe determinare l'incendio o l'esplosione della batteria stessa.

リチウム・バッテリーは、火災、爆発、または重症のやけどを引き起こすことがあります。バックアップ・バッテリーの充電、その極性コネクターの取り外し、バッテリー本体の分解、100°C (212°F) 以上への加熱、焼却、電池の中身を水に浸すことはしないでください。バッテリーを廃棄する場合は地方自治体の条例に従ってください。適切なパーツ・リストにあるバッテリーだけを使用してください。誤ったバッテリーを使用すると、バッテリーが発火したり、爆発したりすることがあります。

La batería de repuesto es una batería de litio y puede provocar incendios, explosiones o quemaduras graves. No la recargue, ni quite el conector polarizado, ni la desmonte, ni caliente por encima de los 100°C (212°F), ni la incinerar ni exponga el contenido de sus celdas al agua. Deséchela tal como dispone la normativa local.

Safety notice 5

If the LCD breaks and the fluid from inside the LCD gets into your eyes or on your hands, immediately wash the affected areas with water at least for 15 minutes. Seek medical care if any symptoms caused by the fluid are present after washing.

Si le panneau d'affichage à cristaux liquides se brise et que vous recevez dans les yeux ou sur les mains une partie du fluide, rincez-les abondamment pendant au moins quinze minutes. Consultez un médecin si des symptômes persistent après le lavage.

Die Leuchtstoffröhre im LCD-Bildschirm enthält Quecksilber. Bei der Entsorgung die örtlichen Bestimmungen für Sondermüll beachten. Der LCD-Bildschirm besteht aus Glas und kann zerbrechen, wenn er unsachgemäß behandelt wird oder der Computer auf den Boden fällt. Wenn der Bildschirm beschädigt ist und die darin befindliche Flüssigkeit in Kontakt mit Haut und Augen gerät, sollten die betroffenen Stellen mindestens 15 Minuten mit Wasser abgespült und bei Beschwerden anschließend ein Arzt aufgesucht werden.

אם מסך הנביש הנוזלי (LCD) נשבר והנוזל מתוך המסך בא במגע עם עיניכם או ידיכם, שטפו את האזורים הנוגעים מיד במים במשך 15 דקות לפחות. פנו לקבלת עזרה רפואית אם תסמינים הנובעים מהמגע עם הנוזל נמשכים לאחר השטיפה.

Nel caso che caso l'LCD si dovesse rompere ed il liquido in esso contenuto entrasse in contatto con gli occhi o le mani, lavare immediatamente le parti interessate con acqua corrente per almeno 15 minuti; poi consultare un medico se i sintomi dovessero permanere.

LCD が破損し、LCD の中の液体が目に入ったり、手に触れたりした場合は、液体が触れた部分を少なくとも 15 分間洗い流してください。洗い流した後に、液体によって何らかの症状が現れた場合は、医師の治療を受けてください。

Si la LCD se rompe y el fluido de su interior entra en contacto con sus ojos o sus manos, lave inmediatamente las áreas afectadas con agua durante 15 minutos como mínimo. Obtenga atención medica si se presenta algún sintoma del fluido despues de lavarse.

Safety notice 6

⚠ DANGER

To avoid shock, do not remove the plastic cover that protects the lower part of the inverter card.

Afin d'éviter tout risque de choc électrique, ne retirez pas le cache en plastique protégeant la partie inférieure de la carte d'alimentation.

Aus Sicherheitsgründen die Kunststoffabdeckung, die den unteren Teil der Spannungswandlerplatine umgibt, nicht entfernen.

כדי למנוע התחשמלות, אין להסיר את מכסה הפלסטיק המגן על חלקו התחתון של הכרטיס ההפוך.

Per evitare scosse elettriche, non rimuovere la copertura in plastica che avvolge la parte inferiore della scheda invertitore.

感電を防ぐため、インバーター・カードの下部を保護しているプラスチック・カバーを外さないでください。

Para evitar descargas, no quite la cubierta de plástico que rodea la parte baja de la tarjeta invertida.

Safety notice 7

⚠ DANGER

Though the main batteries have low voltage, a shorted or grounded battery can produce enough current to burn personnel or combustible materials.

Bien que le voltage des batteries principales soit peu élevé, le court-circuit ou la mise à la masse d'une batterie peut produire suffisamment de courant pour brûler des matériaux combustibles ou causer des brûlures corporelles graves.

Obwohl Hauptbatterien eine niedrige Spannung haben, können sie doch bei Kurzschluß oder Erdung genug Strom abgeben, um brennbare Materialien zu entzünden oder Verletzungen bei Personen hervorzurufen.

אף שהסוללות הראשיות הן בעלות מתח נמוך, סוללה מקוצרת או מוארקות עלולה להפיק זרם מספיק לגרימת כוויות או להצתת חומרים דליקים.

Sebbene le batterie di alimentazione siano a basso voltaggio, una batteria in corto circuito o a massa può fornire corrente sufficiente da bruciare materiali combustibili o provocare ustioni ai tecnici di manutenzione.

メイン・バッテリーの電圧は低くても、ショートしたり、接地したバッテリーが、作業者にやけどを負わせたり、可燃物を燃やすだけの電流を発生させる場合があります。

Aunque las baterías principales tienen un voltaje bajo, una batería cortocircuitada o con contacto a tierra puede producir la corriente suficiente como para quemar material combustible o provocar quemaduras en el personal.

Safety notice 8

DANGER

Before removing any FRU, turn off the computer, unplug all power cords from electrical outlets, remove the battery pack, and then disconnect any interconnecting cables.

Avant de retirer une unité remplaçable en clientèle, mettez le système hors tension, débranchez tous les cordons d'alimentation des socles de prise de courant, retirez la batterie et déconnectez tous les cordons d'interface.

Die Stromzufuhr muß abgeschaltet, alle Stromkabel aus der Steckdose gezogen, der Akku entfernt und alle Verbindungskabel abgenommen sein, bevor eine FRU entfernt wird.

לפני סילוק FRU כלשהו, יש לכבות את המחשב, לנתק את כל כבלי החשמל משקעי החשמל, להוציא את מארזי הסוללה, וזו לנתק כבלי חיבור אחרים אם יש כאלה.

Prima di rimuovere qualsiasi FRU, spegnere il sistema, scollegare dalle prese elettriche tutti i cavi di alimentazione, rimuovere la batteria e poi scollegare i cavi di interconnessione.

FRU を取り外す前に、ThinkPad の電源を切って、すべての電源コードをコンセントから外してください。次に、バッテリー・パックを外し、相互接続ケーブルを外してください。

Antes de quitar una FRU, apague el sistema, desenchufe todos los cables de las tomas de corriente eléctrica, quite la batería y, a continuación, desconecte cualquier cable de conexión entre dispositivos.

Laser compliance statement

Some models of Lenovo computer are equipped from the factory with an optical storage device such as a CD-ROM drive or a DVD-ROM drive. Such devices are also sold separately as options. If one of these drives is installed, it is certified in the U.S. to conform to the requirements of the Department of Health and Human Services 21 Code of Federal Regulations (DHHS 21 CFR) Subchapter J for Class 1 laser products. Elsewhere, the drive is certified to conform to the requirements of the International Electrotechnical Commission (IEC) 825 and CENELEC EN 60 825 for Class 1 laser products.

If a CD-ROM drive, a DVD-ROM drive, or another laser device is installed, note the following:

CAUTION

Use of controls or adjustments or performance of procedures other than those specified herein might result in hazardous radiation exposure.

O uso de controles, ajustes ou desempenho de procedimentos diferentes daqueles aqui especificados pode resultar em perigosa exposição à radiação.

凡未在这里指明的任何控制用法、调整、行为，都会导致严重后果。

Pour éviter tout risque d'exposition au rayon laser, respectez les consignes de réglage et d'utilisation des commandes, ainsi que les procédures décrites.

Werden Steuer- und Einstellelemente anders als hier festgesetzt verwendet, kann gefährliche Laserstrahlung auftreten.

Az itt előírt eljárásoktól, beállításoktól és vezérlésektől eltérni a lézersugárzás veszélye miatt kockázatos!

L'utilizzo di controlli, regolazioni o l'esecuzione di procedure diverse da quelle specificate possono provocare l'esposizione a.

Использование элементов настройки и выполнение процедур иных, чем указано здесь, может привести к опасному радиационному облучению.

Použitie kontrol, úprav alebo iných vykonaní od iných výrobcov, ako je v tomto špecifikované, mohlo by mať za následok nebezpečenstvo vystavenia sa vyžiarovaniu.

本書で指定された内容以外の、お客様による整備、調整、または手順を行った場合、レーザー光の放射の危険があります。

El uso de controles o ajustes o la ejecución de procedimientos distintos de los aquí especificados puede provocar la exposición a radiaciones peligrosas.

Opening the CD-ROM drive, the DVD-ROM drive, or any other optical storage device could result in exposure to hazardous laser radiation. There are no serviceable parts inside those drives. **Do not open.**

A CD-ROM drive, a DVD-ROM drive, or any other storage device installed may contain an embedded Class 3A or Class 3B laser diode. Note the following:

⚠ DANGER

Emits visible and invisible laser radiation when open. Do not stare into the beam, do not view directly with optical instruments, and avoid direct exposure to the beam.

Radiação por raio laser ao abrir. Não olhe fixo no feixe de luz, não olhe diretamente por meio de instrumentos óticos e evite exposição direta com o feixe de luz.

开启时会有激光发射时，请勿直视激光束，请勿直接查看视觉仪器，并且避免直接接触在激光光束之中。

Rayonnement laser si carter ouvert. Évitez de fixer le faisceau, de le regarder directement avec des instruments optiques, ou de vous exposer au rayon.

Laserstrahlung bei geöffnetem Gerät. Nicht direkt oder über optische Instrumente in den Laserstrahl sehen und den Strahlungsbereich meiden.

Kinyitáskor lézersugár ! Ne nézzen bele se szabad szemmel, se optikai eszközökkel. Kerülje a sugárnyalábbal való érintkezést!

Apriendo l'unità vengono emesse radiazioni laser. Non fissare il fascio, non guardarlo direttamente con strumenti ottici e evitare l'esposizione diretta al fascio.

Открывая, берегитесь лазерного излучения. Не смотрите на луч, не разглядывайте его с помощью оптических инструментов, а также избегайте прямого воздействия лазерного луча.

Keď je laserová jednotka otvorená. Vyhnite sa priamemu pohľadu a nehladte priamo s optickými nástrojmi do lúča a vyhnite sa priamemu vystaveniu lúčov.

開けるとレーザー光が放射されます。光線を見つめたり、光学機械を使って直接見たりしないでください。

Radiación láser al abrir. No mire fijamente ni examine con instrumental óptico el haz de luz. Evite la exposición directa al haz.

Important service information

This chapter presents the following important service information:

- “Strategy for replacing FRUs” on page 16
 - “Strategy for replacing a hard disk drive” on page 17
 - “Important notice for replacing a system board” on page 17
- “Important information about replacing RoHS compliant FRUs” on page 18

Important:

BIOS and device driver fixes are customer-installable. The BIOS and device drivers are posted on the customer support site:

<http://support.lenovo.com>.

Strategy for replacing FRUs

Before replacing parts:

Make sure that all software fixes, drivers, and BIOS downloads are installed before replacing any FRUs listed in this manual.

After a system board is replaced, ensure that the latest BIOS is loaded to the system board before completing the service action.

To download software fixes, drivers, and BIOS, follow the steps below:

1. Go to <http://support.lenovo.com>.
2. Enter the serial number or select a product or use Lenovo smart downloading.
3. Select the BIOS/Driver/Applications and download.
4. Follow the directions on the screen and install the necessary software.

Use the following strategy to prevent unnecessary expense for replacing and servicing FRUs:

- If you are instructed to replace an FRU, but the replacement does not solve the problem, reinstall the original FRU before you continue.
- Some computers have both a processor board and a system board. If you are instructed to replace either of them, and replacing one of them does not solve the problem, reinstall that board, and then replace the other one.
- If an adapter or a device consists of more than one FRU, any of the FRUs may be the cause of the error. Before replacing the adapter or device, remove the FRUs one by one to see if the symptoms change. Replace only the FRU that changed the symptoms.

Attention: The setup configuration on the computer you are servicing may have been customized. Running Automatic Configuration may alter the settings. Note the current configuration settings (using the View Configuration option); then, when service has been completed, verify that those settings remain in effect.

Strategy for replacing a hard disk drive

Always try to run a low-level format before replacing a hard disk drive. This will cause all customer data on the hard disk to be lost. Make sure that the customer has a current backup of the data before performing this action.

Attention: The drive startup sequence in the computer you are servicing may have been changed. Be extremely careful during write operations such as copying, saving, or formatting. If you select an incorrect drive, data or programs can be overwritten.

Important notice for replacing a system board

Some components mounted on a system board are very sensitive. Improper handling can cause damage to those components, and may cause a system malfunction.

Attention: When handling a system board:

- Do not drop the system board or apply any excessive force to it.
- Avoid rough handling of any kind.
- Avoid bending the system board and hard pushing to prevent cracking at each BGA (Ball Grid Array) chipset.

Important information about replacing RoHS compliant FRUs

RoHS, The Restriction of Hazardous Substances in Electrical and Electronic Equipment Directive (2002/95/EC) is a European Union legal requirement affecting the global electronics industry. RoHS requirements must be implemented on Lenovo products placed on the market after June 2006. Products on the market before June 2006 are not required to have RoHS compliant parts. If the original FRU parts are non-compliant, replacement parts can also be non-compliant. In all cases if the original FRU parts are RoHS compliant, the replacement part must also be RoHS compliant.

Note: RoHS and non-RoHS FRU part numbers with the same fit and function are identified with unique FRU part numbers.

Lenovo plans to transit to RoHS compliance well before the implementation date and expects its suppliers to be ready to support Lenovo's requirements and schedule in the EU. Products sold in 2005 and 2006 will contain some RoHS compliant FRUs. The following statement pertains to these products and any product Lenovo produces containing RoHS compliant FRUs.

RoHS compliant FRUs have unique FRU part numbers. Before or after the RoHS implementation date, failed RoHS compliant parts must always be replaced with RoHS compliant ones, so only the FRUs identified as compliant in the system HMM or direct substitutions for those FRUs may be used.

Products marketed before June 2006		Products marketed after June 2006	
Current or original part	Replacement FRU	Current or original part	Replacement FRU
Non-RoHS	Can be Non-RoHS	Must be RoHS	Must be RoHS
Non-RoHS	Can be RoHS		
Non-RoHS	Can sub to RoHS		
RoHS	Must be RoHS		

Note: A direct substitution is a part with a different FRU part number that is automatically shipped by the distribution center at the time of the order.

General checkout

This chapter presents the following information:

- “What to do first” on page 20
- “Power system checkout” on page 21

Before you go to the checkout, make sure to read the following important notes:

Important notes:

- **Only certified trained personnel can service the computer.**
- **Before replacing any FRU, read the entire page on removing and replacing FRUs.**
- **Carefully remove screws for reuse when replacing FRUs.**
- **Be extremely careful during such write operations as copying, saving, or formatting.** Drives in the computer that you are servicing sequence might have been altered. If you select an incorrect drive, data or programs might be overwritten.
- **Replace an FRU only with another FRU of the correct model.** When you replace an FRU, make sure that the machine model and the FRU part number are correct by referring to the FRU parts list.
- **An FRU should not be replaced just because of a single, unreproducible failure.** Single failures can occur for a variety of reasons that have nothing to do with a hardware defect, such as cosmic radiation, electrostatic discharge, or software errors. Consider replacing an FRU only when a problem recurs. If you suspect that an FRU is defective, clear the error logs and run the test again. If the error does not recur, do not replace the FRU.
- **Be careful not to replace a nondefective FRU.**

What to do first

When you do return an FRU, you must include the following information in the parts exchange form or parts return form that you attach to it:

1. Name and phone number of servicer
2. Date of service
3. Date on which the machine failed
4. Date of purchase
5. Procedure index and page number in which the failing FRU was detected
6. Failing FRU name and part number
7. Machine type, model number, and serial number
8. Customer's name and address

Note for warranty: During the warranty period, the customer may be responsible for repair costs if the computer damage was caused by misuse, accident, modification, unsuitable physical or operating environment, or improper maintenance by the customer.

The following is a list of some common items that are not covered under warranty and some symptoms that might indicate that the system was subjected to stress beyond normal use.

Before checking problems with the computer, determine whether the damage is covered under the warranty by referring to the following list:

The following are not covered under warranty:

- LCD panel cracked from the application of excessive force or from being dropped
- Scratched (cosmetic) parts
- Distortion, deformation, or discoloration of the cosmetic parts
- Plastic parts, latches, pins, or connectors that have been cracked or broken by excessive force
- Damage caused by liquid spilled into the system
- Damage caused by the improper insertion of a PC Card or the installation of an incompatible card
- Improper disk insertion or use of an optical drive
- Diskette drive damage caused by pressure on the diskette drive cover, foreign material in the drive, or the insertion of a diskette with multiple labels
- Damaged or bent diskette eject button
- Fuses blown by attachment of a nonsupported device
- Forgotten computer password (making the computer unusable)
- Sticky keys caused by spilling a liquid onto the keyboard
- Use of an incorrect AC adapter on laptop products

The following symptoms might indicate damage caused by nonwarranted activities:

- Missing parts might be a symptom of unauthorized service or modification.
- If the spindle of a hard disk drive becomes noisy, it may have been subjected to excessive force, or dropped.

Power system checkout

To verify a symptom, follow the steps below:

1. Turn off the computer.
2. Remove the battery pack.
3. Connect the AC adapter.
4. Make sure that power is supplied when you turn on the computer.
5. Turn off the computer.
6. Disconnect the AC adapter and install the charged battery pack.
7. Make sure that the battery pack supplies power when you turn on the computer.

If you suspect a power problem, see the appropriate one of the following power supply checkouts:

- “Checking the AC adapter” on page 21
- “Checking operational charging” on page 22
- “Checking the battery pack” on page 22

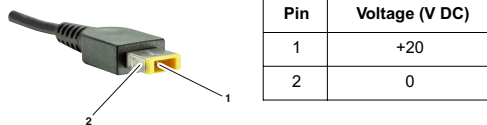
Checking the AC adapter

You are here because the computer fails only when the AC adapter is used.

- If the power-on indicator does not turn on, check the power cord of the AC adapter for correct continuity and installation.
- If the computer does not charge during operation, go to “Checking operational charging”.

To check the AC adapter, follow the steps below:

1. Unplug the AC adapter cable from the computer.
2. Measure the output voltage at the plug of the AC adapter cable. See the following figure:



Note: Output voltage for the AC adapter pin No. 2 may differ from the one you are servicing.

3. If the voltage is not correct, replace the AC adapter.
4. If the voltage is acceptable, do the following:
 - Replace the system board.
 - If the problem persists, go to “Lenovo V110-15IKB” on page 27.

Note: Noise from the AC adapter does not always indicate a defect.

Checking operational charging

To check whether the battery charges properly during operation, use a discharged battery pack or a battery pack that has less than 50% of the total power remaining when installed in the computer.

Perform operational charging. If the battery status indicator or icon does not light on, remove the battery pack and let it return to room temperature. Reinstall the battery pack. If the charge indicator or icon is still off, replace the battery pack.

If the charge indicator still does not light on, replace the system board. Then reinstall the battery pack. If it is still not charged, go to the next section.

Checking the battery pack

Battery charging does not start until the Power Meter shows that less than 95% of the total power remains; under this condition the battery pack can charge to 100% of its capacity. This protects the battery pack from being overcharged or from having a shortened life.

To check your battery, move your cursor to the Power Meter icon in the icon tray of the Windows® taskbar and wait for a moment (but do not click it), and the percentage of battery power remaining is displayed. To get detailed information about the battery, double-click the Power Meter icon.

Note: If the battery pack becomes hot, it may not be able to be charged. Remove it from the computer and leave it at room temperature for a while. After it cools down, reinstall and recharge it.

Related service information

This chapter presents the following information:

- “Restoring the factory contents by using OneKey Recovery” on page 23
- “Passwords” on page 24
- “Power management” on page 25

Restoring the factory contents by using OneKey Recovery

Restore of factory default

The Lenovo V110-15IKB computers come with pre-installed OneKey Recovery System. In order to save application files and the initial backed up files of the system, the hard disk in a Lenovo computer includes a hidden partition when it is shipped. If you need to restore the system to the point of your first boot up, just enter Lenovo OneKey Recovery System and run **System Recovery**. For details of OneKey Recovery System, see *the User Guide for Lenovo OneKey Recovery System*.

Note: This will delete all the new data on the system partition (C drive), which is not recoverable. Make sure to back up your critical data before you perform this action.

Passwords

As many as three passwords may be needed for any Lenovo computer: the power-on password (POP), the hard disk password (HDP), and the administrator password.

If any of these passwords has been set, a prompt for it appears on the screen whenever the computer is turned on. The computer does not start until the password is entered.

Power-on password

A power-on password (POP) protects the system from being powered on by an unauthorized person. The password must be entered before an operating system can be booted.

Hard-disk password

There are two hard-disk passwords (HDPs):

- + User HDP - for the user

- + Master HDP - for the system administrator, who can use it to get access to the hard disk drive even if the user has changed the user HDP

Attention: If the user HDP has been forgotten, check whether a master HDP has been set. If it has, it can be used for access to the hard disk drive. If no master HDP is available, neither Lenovo nor Lenovo authorized service technicians provide any services to reset either the user or the master HDP, or to recover data from the hard disk drive. The hard disk drive can be replaced for a scheduled fee.

Administrator password

Administrator password controls the access of the whole setup utility. Only Administrator password was set then User password can be set. If Administrator password was cleared, the User password was cleared too.

Power management

Note: Power management modes are not supported for APM operating system.

To reduce power consumption, the computer has two power management modes: sleep (standby), and shut down.

Putting the computer to sleep or shutting it down

When you have finished working with your computer, you can put it to sleep or shut it down.

Putting your computer to sleep

If you will be away from your computer for only a short time, put the computer to sleep.

When the computer is in sleep mode, you can quickly wake it to resume use, bypassing the startup process.

To put the computer to sleep, do one of the following:

- Close the display lid.
- Press the power button.
- Perform the following based on the operating system.

For the Windows 7 operating system:

Click **Start**  → **Sleep**

For the Windows 10 operating system:

Move the cursor to the lower-left corner, and then select the Start button.

Select **Power**  → **Sleep**.

Note: Put your computer to sleep before you move it. Moving your computer while the hard disk drive is spinning can damage the hard disk, causing loss of data.

To wake the computer, do one of the following:

- Press any key on the keyboard.
- Press the power button.

Lenovo V110-15IKB

This chapter presents the following product-specific service references and product-specific parts information:

- “Specifications” on page 27
- “Status indicators” on page 29
- “Hotkeys” on page 31
- “FRU replacement notices” on page 32
- “Removing and replacing an FRU” on page 33
- “Locations” on page 63
- “Parts list” on page 65

Specifications

The following table lists the specifications of the Lenovo V110-15IKB:

Table 1. Specifications

Form Factor	
Dimensions	Appr. 380 mm × 262 mm × 22.9 mm
Weight	Appr. 2.1 kg with battery
LCD size	15.6-inch
Processor	
See the system properties of your computer, you can do this as follows: Click Control Panel , then click Hardware and Sound , click Device Manager under Devices and Printers and double click Processors .	
Memory	
Type and speed	DDR4-2400 MHz
Maximum supported capacity	16 GB
Slots	SODIMM × 1, on board × 1
Hard disk drive	
Form factor	2.5-inch, 9.5 mm/7 mm
Capacity	HDD: 250 GB/500 GB/1 TB SSD: 128 GB/256 GB
Interface	SATA 3
Optical drive	
Form factor	9.0 mm
Type	Writer

Table 1. Specifications (continued)

Display	
Display resolution (LCD)	16:9 (1,366 × 768 pixels)
LCD backlight	LED
I/O Ports	
USB	USB 3.0 × 1, USB 2.0 × 1
Audio	Combo audio jack × 1
Communication	RJ-45 × 1
Video/Audio	HDMI slot × 1
Memory card slot	4 in 1 slot × 1 (SD/SDHC/SDXC/MMC)
Battery pack	
Type	Li-ion battery pack
Cells/Capacity	3/4 cells, 24/32 Wh
Note: The capacity given here is the typical or average capacity as measured in a specific test environment. Capacities measured in other environments may differ but are no lower than the rated capacity (see product label).	
AC power adapter	
Input	100-240 V, 50-60 Hz
Output voltage	20 V DC
Power	45/65 W
Miscellaneous	
Camera	0.3 Mega
Security	Kensington mini security slot × 1

Status indicators

The system status indicators below show the computer status:

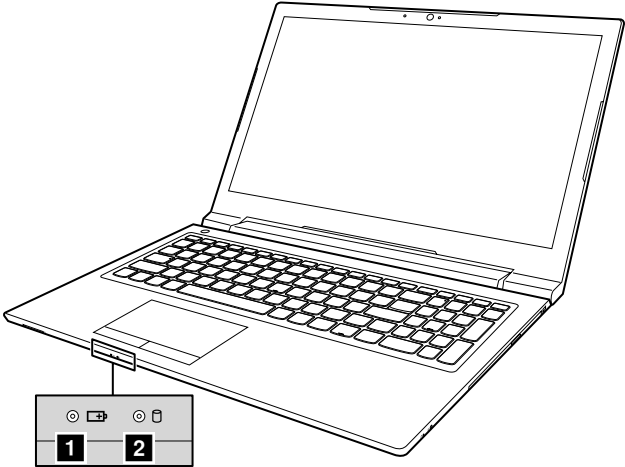











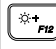






Table 2. Status indicators

Indicator	AC power adapter status	System status	Indicator status	Meaning
Battery/ Charging status indicator	Disconnected	Working	Solid light amber	The battery has between 1% and 5% charge.
			Solid amber	The battery has between 5% and 20% charge.
			Solid green	The battery has more than 20% charge.
		Sleep	Blinking amber	The battery has between 1% and 20% charge.
			Blinking green	The battery has more than 20% charge.
			Solid light amber	The battery has between 1% and 5% charge.
	Connected	Working	Fast blinking amber	The battery has between 5% and 20% charge. When battery charge reaches 20%, the blinking color changes to green.
			Slow blinking green	The battery has between 20% and 80% charge and is still charging. When the battery reaches 80% charge the light will stop blinking.
			Solid green	The battery has more than 80% charge, charging will continue until the battery is fully charged.
		Sleep	Blinking amber	The battery has between 1% and 20% charge.
Blinking green	The battery has more than 20% charge.			
Hard disk drive indicator	--	--	On	<p>The hard disk drive is reading or writing data.</p> <p>Attention:</p> <ul style="list-style-type: none"> When the indicator is on, do not put the computer into sleep mode or turn off the computer. When the indicator is on, do not move the computer. Sudden physical shock might cause hard disk drive errors.

Hotkeys

Table 3. Hotkeys

	Mutes/unmutes the sound.		Enables/disables airplane mode.
	Decreases the volume level.		Enables/disables camera.
	Increases the volume level.		Locks/unlocks the LCD screen.
	Enables/disables microphone.		Enables the external projector or dangles the external display.
	Refreshes page.		Decreases the display brightness until the LCD backlight is turned off.
	Enables/disables the touch pad.		Increases display brightness.
	Play/pause the current video (audio).		Stop the current video (audio).
	Fast backward when playing.		Fast forward when playing.

FRU replacement notices

This section presents notices related to removing and replacing parts. Read this section carefully before replacing any FRU.

Screw notices

Loose screws can cause a reliability problem. In the Lenovo computer, this problem is addressed with special nylon-coated screws that have the following characteristics:

- They maintain tight connections.
- They do not easily come loose, even with shock or vibration.
- They are harder to tighten.

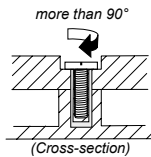
Do the following when you service this machine:

- Keep the screw kit in your tool bag.
- Carefully remove screws for reuse when replacing FRUs.
- Use a torque screwdriver if you have one.

Tighten screws as follows:

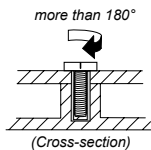
- **Plastic to plastic**

Turn an additional 90° after the screw head touches the surface of the plastic part:



- **Logic card to plastic**

Turn an additional 180° after the screw head touches the surface of the logic card:



- **Torque driver**

If you have a torque screwdriver, refer to the "Torque" column for each step.

- Make sure that you use the correct screws. If you have a torque screwdriver, tighten all screws firmly to the torque shown in the table. **Carefully remove screws for reuse when replacing FRUs. Make sure that all screws are tightened firmly.**
- Ensure torque screwdrivers are calibrated correctly following country specifications.

Removing and replacing an FRU

This section presents exploded figures with the instructions to indicate how to remove and replace the FRU. Make sure to observe the following general rules:

1. Do not attempt to service any computer unless you have been trained and certified. An untrained person runs the risk of damaging parts.
2. Before replacing any FRU, review "FRU replacement notices" on page 32.
3. Begin by removing any FRUs that have to be removed before the failing FRU. Any of such FRUs are listed at the top of the page. Remove them in the order in which they are listed.
4. Follow the correct sequence in the steps to remove the FRU, as given in the figures by the numbers in square callouts.
5. When turning a screw to replace an FRU, turn it in the direction as given by the arrow in the figure.
6. When removing the FRU, move it in the direction as given by the arrow in the figure.
7. To put the new FRU in place, reverse the removal procedures and follow any of the notes that pertain to replacement. For information about connecting and arranging internal cables, see "Locations" on page 63.
8. When replacing an FRU, use the correct screw as shown in the procedures.

DANGER

Before removing any FRU, turn off the computer, unplug all power cords from electrical outlets, remove the battery pack, and then disconnect any of the interconnecting cables.

Attention: After replacing an FRU, do not turn on the computer until you have made sure that all screws, springs, and other small parts are in place and none are loose inside the computer. Verify this by shaking the computer gently and listening for rattling sounds. Metallic parts or metal flakes can cause electrical short circuits.

Attention: The system board is sensitive to, and can be damaged by, electrostatic discharge. Before touching it, establish personal grounding by touching a ground point with one hand or using an electrostatic discharge (ESD) strap (P/N 6405959) to remove potential shock reasons.

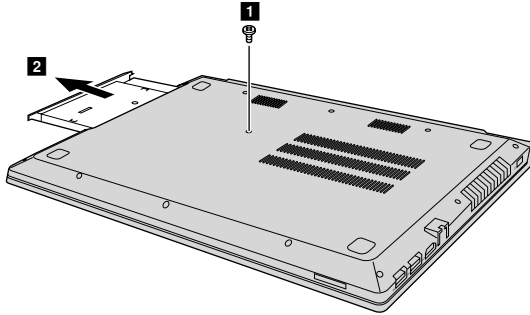
Note:

- The illustrations used in this section are of the Lenovo V110-15IKB, unless otherwise stated.

1010 Optical drive

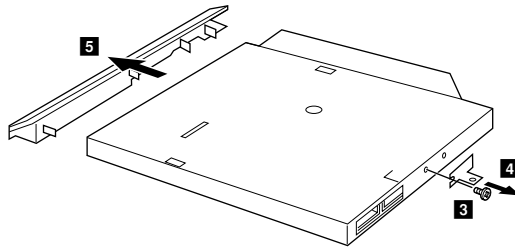
Figure 1. Removal steps of optical drive

Remove the screw **1**. Then pull the optical drive out in the direction shown by arrow **2**.



Step	Screw (quantity)	Color	Torque
1	M2 × 3 mm, Phillips head, nylok-coated (1) LOW TO UPPER	Silver	1.85+/-0.15 kgf/cm

Remove the screw **3**, then carefully remove the optical drive bracket and bezel in the directions shown by arrows **4** and **5**.



Step	Screw (quantity)	Color	Torque
3	M2 × 3 mm, Phillips head, nylok-coated (1) ODD BRK TO ODD MODULE	Silver	1.85+/-0.15 kgf/cm

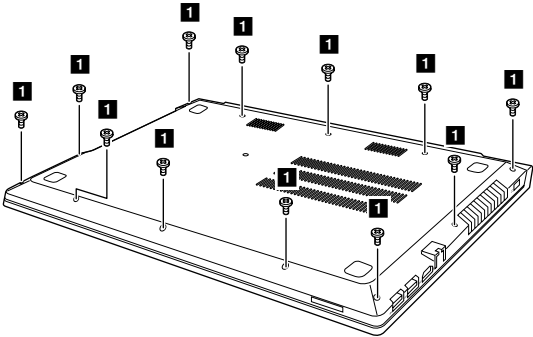
1020 Base cover

For access, remove this FRU:

- “1010 Optical drive” on page 34

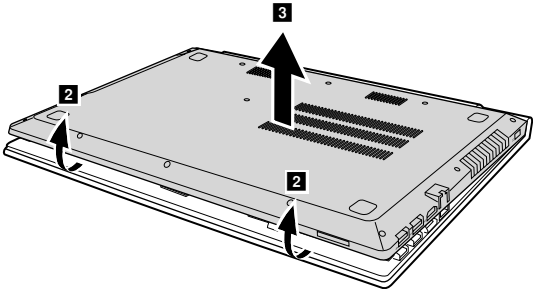
Figure 2. Removal steps of base cover

Remove the screws ■.



Step	Screw (quantity)	Color	Torque
■	M2 × 6 mm, Phillips head, nylok-coated (12) LOW TO UPPER	Black	1.85+/-0.15 kgf/cm

Remove the base cover in the directions shown by arrows 2 and 3.



Note: Applying labels to the base cover

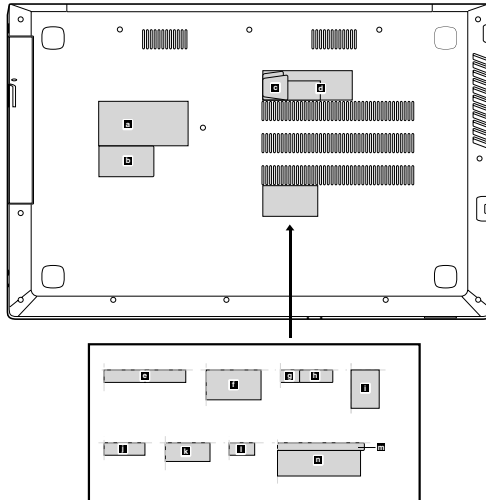
The new base cover FRU is shipped with a kit containing labels of several kinds. When you replace the base cover, you need to apply the following label:

The following labels need to be peeled off from the old base cover, and need to be put on the new base cover.

- | | | | |
|----------|----------------------------|----------|-----------------------------|
| a | Rating label(69.5x34.5 mm) | i | BIS label for India |
| b | Rating label(43x24 mm) | j | Wlan/BT label for Isarel |
| c | GML label | k | Wlan/BT label for Brazil |
| d | COA label | l | Wlan label for South Africa |
| e | Wlan/BT label for US/CA/TW | m | CNC label for Argentina |
| f | KCC label for Korea | n | Argentina label |
| g | Postel label for Indonesia | | |
| h | D side label for Indonesia | | |

For some models, you also need to apply one or two FCC labels. Check the old base cover; if it has one or two FCC labels, find duplicates of them in the label kit and apply them to the new base cover.

For the location of each label, refer to the following figures:



1030 Battery pack

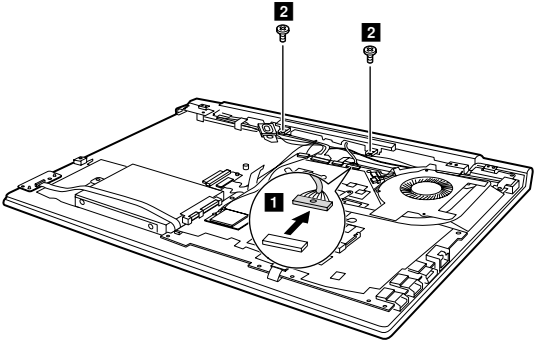
For access, remove these FRUs in order:

- “1010 Optical drive” on page 34
- “1020 Base cover” on page 35

⚠ DANGER
Only use the battery specified in the parts list for your computer. Any other battery could ignite or explode.

Figure 3. Removal steps of battery pack

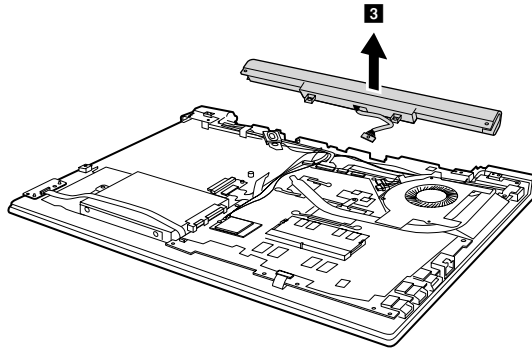
Detach the battery pack connector in the direction shown by arrow **1**, remove the screws **2**.



Step	Screw (quantity)	Color	Torque
2	M2 × 4 mm, Phillips head, nylok-coated (2) BATTERY TO UPPER	Silver	1.85+/-0.15 kgf/cm

Figure 3. Removal steps of battery pack (continued)

Remove the battery pack in the direction shown by arrow **3**.



When installing: Make sure the battery pack connector is attached firmly.

1040 Hard disk drive

For access, remove these FRUs in order:

- “1010 Optical drive” on page 34
- “1020 Base cover” on page 35
- “1030 Battery pack” on page 37

Attention:

- **Do not drop the hard disk drive or apply any physical shock to it.** The hard disk drive is sensitive to physical shock. Improper handling can cause damages and permanent loss of data.
- Before removing the drive, suggest the customer to backup all the information on it if possible.
- Never remove the drive while the system is operating or is in suspend mode.

Figure 4. Removal steps of hard disk drive

Detach the IO board cable connector in the directions shown by arrows **1** and **2**.

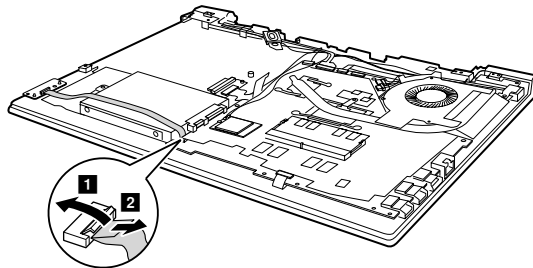
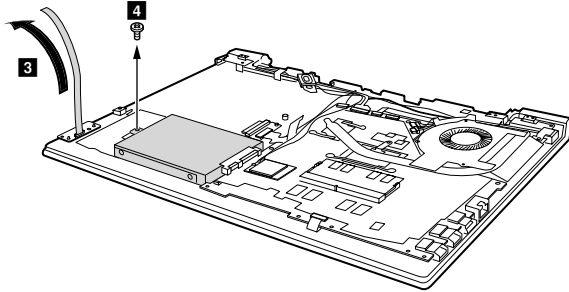


Figure 4. Removal steps of hard disk drive (continued)

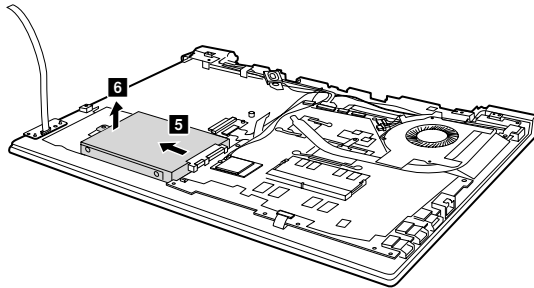
Lift the IO board cable in the direction shown by arrow **3**. Remove the screw **4**.



Step	Screw (quantity)	Color	Torque
4	M2 × 3 mm, Phillips head, nylok-coated (1) HDD BRK TO UPPER	Silver	1.85+/-0.15 kgf/cm

When installing: Make sure that the cable connector is attached firmly.

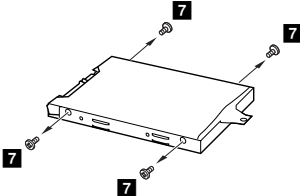
Detach the HDD connector in the direction shown by arrow **5**. Remove the hard disk drive from the slot in the direction shown by arrow **6**.



When installing: Make sure that the HDD connector is attached firmly.

Figure 4. Removal steps of hard disk drive (continued)

Remove the screws **7**, then take out the metal frame.



Step	Screw (quantity)	Color	Torque
7	M3 × 4 mm, Phillips head, nylok-coated (4) HDD BRK TO HDD	Silver	4+/-0.3 kgf/cm

1050 Speaker

For access, remove these FRUs in order:

- “1010 Optical drive” on page 34
- “1020 Base cover” on page 35
- “1030 Battery pack” on page 37
- “1040 Hard disk drive” on page 39

Figure 5. Removal steps of speaker

Unplug the speaker connector in the direction shown by arrow **1**.

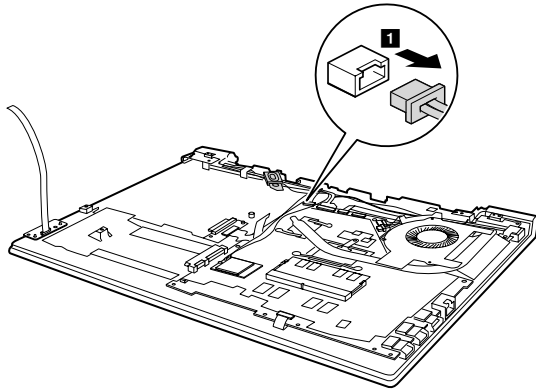
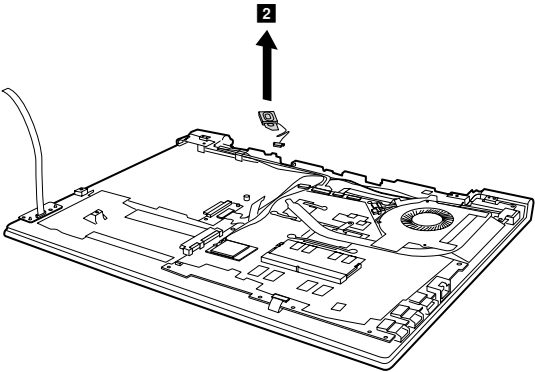


Figure 5. Removal steps of speaker (continued)

Remove the speaker **2**.



When installing: Make sure that the speaker connector is attached firmly.

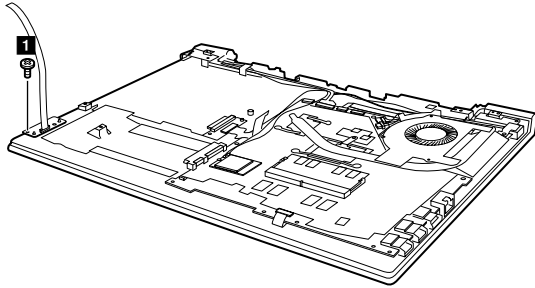
1060 IO board

For access, remove these FRUs in order:

- “1010 Optical drive” on page 34
- “1020 Base cover” on page 35
- “1030 Battery pack” on page 37
- “1040 Hard disk drive” on page 39
- “1050 Speaker” on page 42

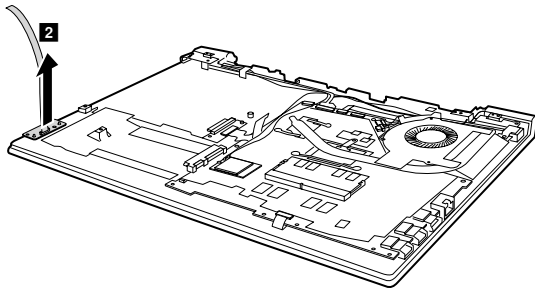
Figure 6. Removal steps of IO board

Remove the screw ■.



Step	Screw (quantity)	Color	Torque
■	M2 × 3 mm, Phillips head, nylok-coated (1) IO BOARD TO UPPER	Silver	1.85+/-0.15 kgf/cm

Remove the IO board in the direction shown by arrow ■.



When installing: Make sure that the connector is attached firmly.

1070 PCI Express Mini Card for wireless LAN

For access, remove these FRUs in order:

- “1010 Optical drive” on page 34
- “1020 Base cover” on page 35
- “1030 Battery pack” on page 37
- “1040 Hard disk drive” on page 39
- “1050 Speaker” on page 42
- “1060 IO board” on page 44

Important: The preinstalled WLAN module may only be replaced with a Lenovo approved module in order to comply with FCC and IC regulations. Refer to “Overall” on page 66 for Lenovo part numbers for the approved modules.

Figure 7. Removal steps of PCI Express Mini Card for wireless LAN

Disconnect the two wireless LAN cables (white,black) ■, and then remove the screw 2.

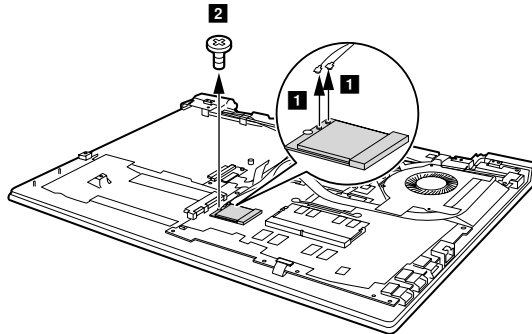


Figure 7. Removal steps of PCI Express Mini Card for wireless LAN (continued)

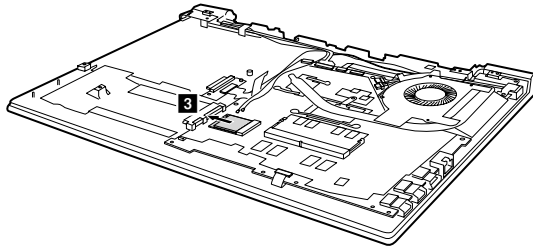
In step ■, unplug the jacks by using the removal tool antenna RF connector (P/N: 08K7159), or pick up the connectors with your fingers and gently unplug them in the direction shown by the arrows.

Notes: The wireless LAN card has 2 cables in step ■.

The wireless LAN card in some models might have 3 cables in step ■.

Step	Screw (quantity)	Color	Torque
2	M2 × 3 mm, Phillips head, nylok-coated (1) WLAN CARD TO MB	Silver	1.85+/-0.15 kgf/cm

Remove the card in the direction shown by arrow ■.



When installing:

- In models with a wireless LAN card that has two antenna connectors, plug the black cable (1st) (MAIN) into the jack labeled **MAIN**, and the white cable (2nd) (AUX) into the jack labeled **AUX** on the card.
- In models with a wireless LAN card that has three antenna connectors, plug the black cable (1st) (MAIN) into the jack labeled **1**, the grey cable (3rd) into the jack labeled **3**, and the white cable (2nd) (AUX) into the jack labeled **2** on the card.

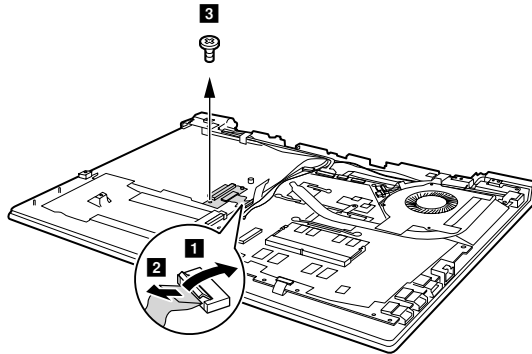
1080 ODD board

For access, remove these FRUs in order:

- “1010 Optical drive” on page 34
- “1020 Base cover” on page 35
- “1030 Battery pack” on page 37
- “1040 Hard disk drive” on page 39
- “1050 Speaker” on page 42
- “1060 IO board” on page 44
- “1070 PCI Express Mini Card for wireless LAN” on page 45

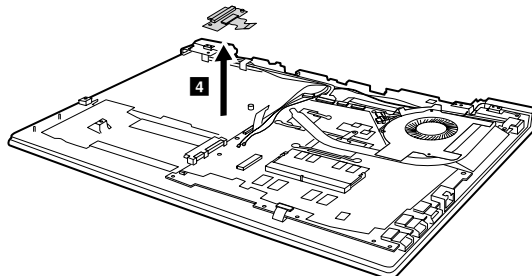
Figure 8. Removal steps of ODD board

Detach the FPC connector in the directions shown by arrows **1** and **2**. Remove the screw **3**.



Step	Screw (quantity)	Color	Torque
3	M2 × 3 mm, Phillips head, nylok-coated (1) ODD BOARD TO UPPER	Silver	1.85+/-0.15 kgf/cm

Remove the ODD board in the direction shown by arrow **4**.



When installing: Make sure that the ODD board connector is attached firmly.

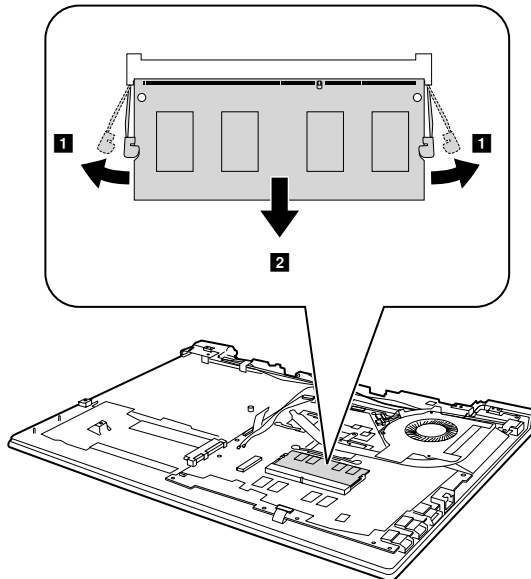
1090 DIMM

For access, remove these FRUs in order:

- “1010 Optical drive” on page 34
- “1020 Base cover” on page 35
- “1030 Battery pack” on page 37
- “1040 Hard disk drive” on page 39
- “1050 Speaker” on page 42
- “1060 IO board” on page 44
- “1070 PCI Express Mini Card for wireless LAN” on page 45
- “1080 ODD board” on page 47

Figure 9. Removal steps of DIMM

Release the two latches on both edges of the socket at the same time in the direction shown by arrows **1**, and then unplug the DIMM in the direction shown by arrow **2**.



When installing: Insert the notched end of the DIMM into the socket. Push the DIMM firmly, and pivot it until it snaps into the place. Make sure that it is firmly fixed in the slot and difficult to move.

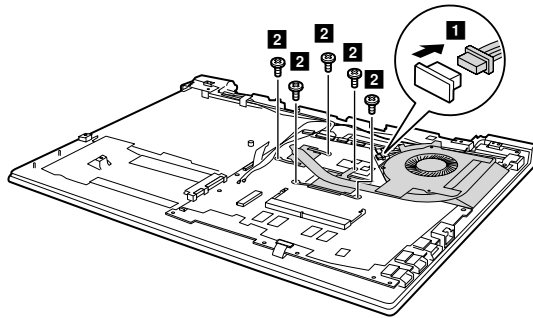
1100 Fan assembly and Heat Sink assembly

For access, remove these FRUs in order:

- “1010 Optical drive” on page 34
- “1020 Base cover” on page 35
- “1030 Battery pack” on page 37
- “1040 Hard disk drive” on page 39
- “1050 Speaker” on page 42
- “1060 IO board” on page 44
- “1070 PCI Express Mini Card for wireless LAN” on page 45
- “1080 ODD board” on page 47
- “1090 DIMM” on page 48

Figure 10. Removal steps of fan assembly and heat sink assembly

Unplug the fan connector in the direction shown by arrow **1**, and then remove the screws **2**.

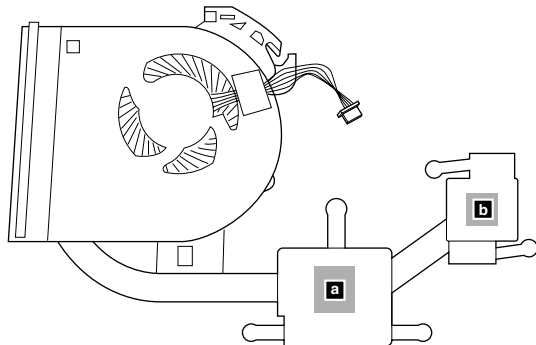
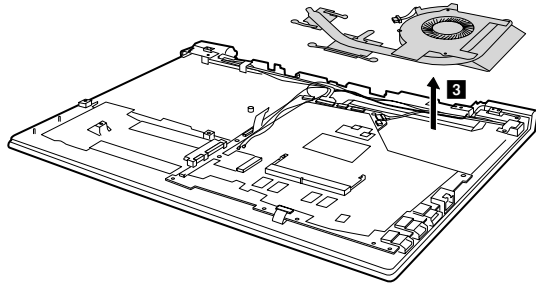


Step	Screw (quantity)	Color	Torque
2	M2 × 6 mm, Phillips head, nylok-coated (5) FAN TO UPPER	Black	1.85+/-0.15 kgf/cm

When installing: Make sure that the fan connector is attached firmly to the system board.

Figure 10. Removal steps of fan assembly and heat sink assembly (continued)

Remove the fan assembly and heat sink assembly in the direction shown by arrow **3**. Be careful not to damage the connector.



When installing:

Before you attach the fan assembly to the computer, apply thermal grease, at an amount of 0.2 grams, to the **a b** part shown in the figure above. Either too much or too little grease application can cause a thermal problem due to imperfect contact with a component.

1110 System board

Important notices for handling the system board:

When handling the system board, bear the following in mind.

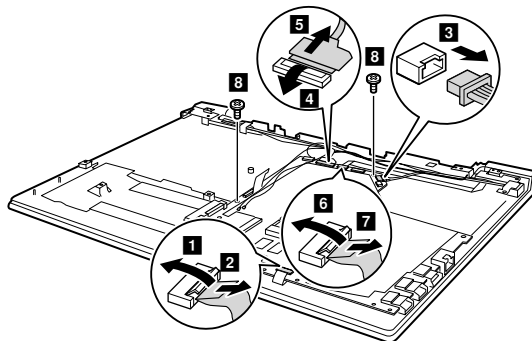
- Be careful not to drop the system board on a bench top that has a hard surface, such as metal, wood, or composite.
- Avoid rough handling of any kind.
- In the whole process, make sure not to drop or stack the system board.
- If you put a system board down, make sure to put it only on a padded surface such as an ESD mat or conductive corrugated material.

For access, remove these FRUs in order:

- “1010 Optical drive” on page 34
- “1020 Base cover” on page 35
- “1030 Battery pack” on page 37
- “1040 Hard disk drive” on page 39
- “1050 Speaker” on page 42
- “1060 IO board” on page 44
- “1070 PCI Express Mini Card for wireless LAN” on page 45
- “1080 ODD board” on page 47
- “1090 DIMM” on page 48
- “1100 Fan assembly and Heat Sink assembly” on page 49

Figure 11. Removal steps of system board

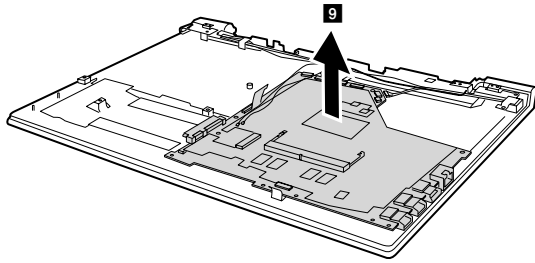
Detach the touch pad connector in the directions shown by arrows **1**, **2**. Unplug DC-IN connector in the direction shown by arrow **3**, detach LCD connector in the directions shown by arrows **4** and **5**, detach the power board in the directions shown by arrows **6**, **7**. Detach keyboard connector under the system board. Remove the screws **8**.



Step	Screw (quantity)	Color	Torque
8	M2 × 3 mm, Phillips head, nylok-coated (2) MB TO UPPER & MB TO KB BRK	Silver	1.85+/-0.15 kgf/cm

Figure 11. Removal steps of system board (continued)

Remove the system board in the direction shown by arrow **9**.



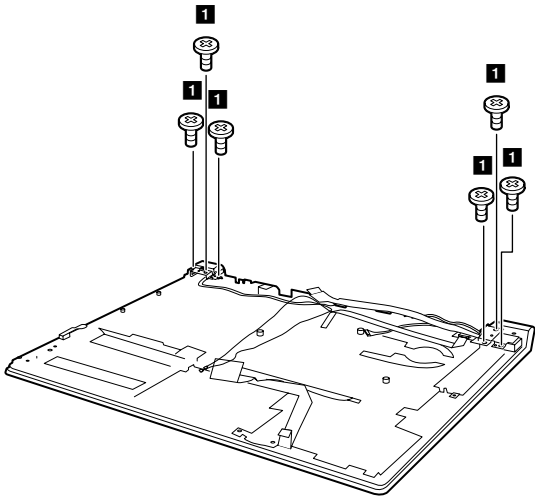
1120 Upper case

For access, remove these FRUs in order:

- “1010 Optical drive” on page 34
- “1020 Base cover” on page 35
- “1030 Battery pack” on page 37
- “1040 Hard disk drive” on page 39
- “1050 Speaker” on page 42
- “1060 IO board” on page 44
- “1070 PCI Express Mini Card for wireless LAN” on page 45
- “1080 ODD board” on page 47
- “1090 DIMM” on page 48
- “1100 Fan assembly and Heat Sink assembly” on page 49
- “1110 System board” on page 51

Figure 12. Removal steps of upper case

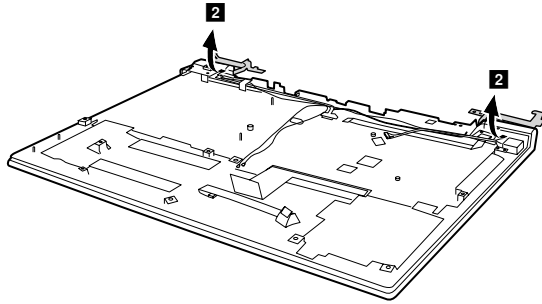
Remove the screws ■.



Step	Screw (quantity)	Color	Torque
■	M2 × 4 mm, Phillips head, nylok-coated (6) HINGE BRK TO UPPER	Silver	1.85+/-0.15 kgf/cm

Figure 12. Removal steps of upper case (continued)

Open the hinges in the direction shown by arrows **2**.



Remove the DC in cable in the direction shown by arrow **3**.

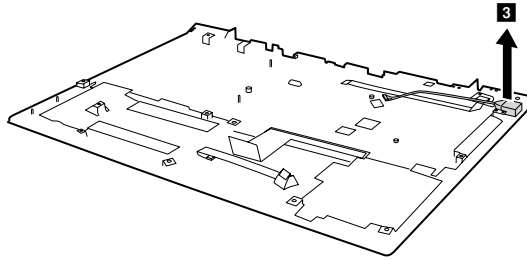
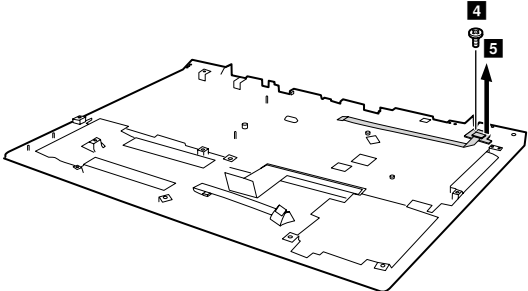


Figure 12. Removal steps of upper case (continued)

Remove the screw **4**. Then remove the power board in the direction shown by arrow **5**.



Step	Screw (quantity)	Color	Torque
4	M2 × 3 mm, Phillips head, nylok-coated (1) POWER BOARD TO UPPER	Silver	1.85+/-0.15 kgf/cm

Release the antenna cables from the cable guides in the direction shown by arrows **6**.

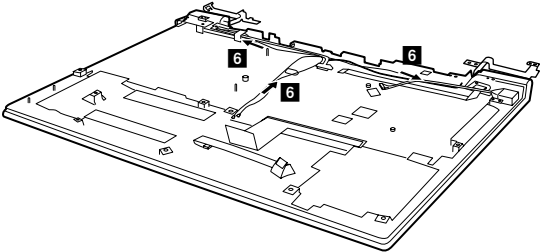
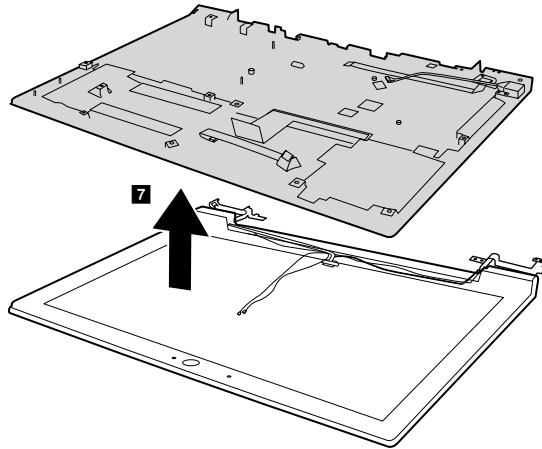


Figure 12. Removal steps of upper case (continued)

Remove the upper case from the LCD module in the direction shown by arrow **7**.



1130 LCD unit

For access, remove these FRUs in order:

- “1010 Optical drive” on page 34
- “1020 Base cover” on page 35
- “1030 Battery pack” on page 37
- “1040 Hard disk drive” on page 39
- “1050 Speaker” on page 42
- “1060 IO board” on page 44
- “1070 PCI Express Mini Card for wireless LAN” on page 45
- “1080 ODD board” on page 47
- “1090 DIMM” on page 48
- “1100 Fan assembly and Heat Sink assembly” on page 49
- “1110 System board” on page 51
- “1120 Upper case” on page 53

Figure 13. Removal steps of LCD unit

Remove the LCD front bezel in the direction by arrows ■.

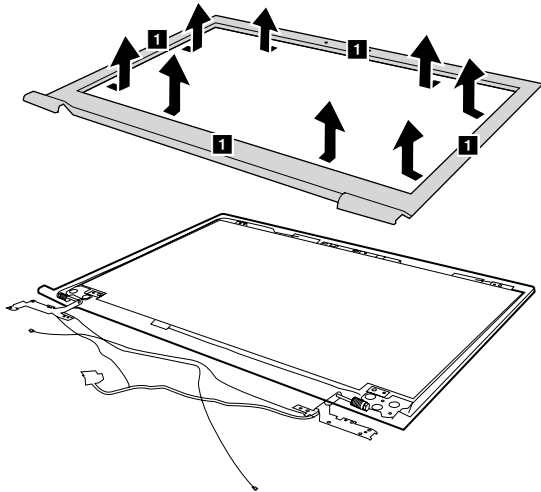
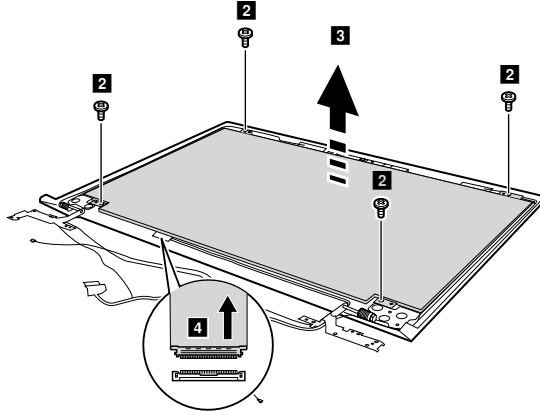


Figure 13. Removal steps of LCD unit (continued)

Remove the screws **2**. Lift the LCD module slightly **3**. Disconnect the connector in the direction shown by arrow **4**. Then remove the LCD module.



Step	Screw (quantity)	Color	Torque
2	M2 × 3 mm, Phillips head, nylok-coated (4) HINGE BRK TO LCD PANEL	Silver	1.85+/-0.15 kgf/cm

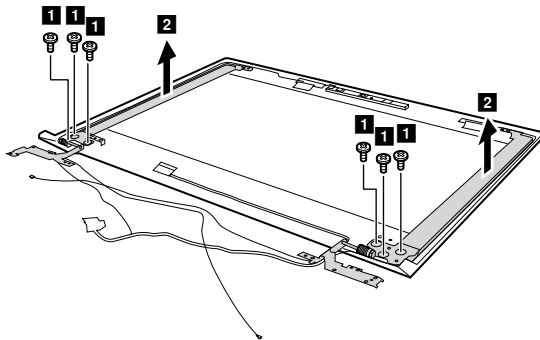
1140 LCD hinges

For access, remove these FRUs in order:

- “1010 Optical drive” on page 34
- “1020 Base cover” on page 35
- “1030 Battery pack” on page 37
- “1040 Hard disk drive” on page 39
- “1050 Speaker” on page 42
- “1060 IO board” on page 44
- “1070 PCI Express Mini Card for wireless LAN” on page 45
- “1080 ODD board” on page 47
- “1090 DIMM” on page 48
- “1100 Fan assembly and Heat Sink assembly” on page 49
- “1110 System board” on page 51
- “1120 Upper case” on page 53
- “1130 LCD unit” on page 57

Figure 14. Removal steps of LCD hinges

Remove the screws **1**. Then release the two hinges in the direction shown by arrows **2**.



Step	Screw (quantity)	Color	Torque
1	M2.5 × 3 mm, Phillips head, nylok-coated (6) HINGE BRK TO LCD COVER	Silver	3.0+/-0.3 kgf/cm

1150 Integrated camera, LCD cable and antenna assembly

For access, remove these FRUs in order:

- “1010 Optical drive” on page 34
- “1020 Base cover” on page 35
- “1030 Battery pack” on page 37
- “1040 Hard disk drive” on page 39
- “1050 Speaker” on page 42
- “1060 IO board” on page 44
- “1070 PCI Express Mini Card for wireless LAN” on page 45
- “1080 ODD board” on page 47
- “1090 DIMM” on page 48
- “1100 Fan assembly and Heat Sink assembly” on page 49
- “1110 System board” on page 51
- “1120 Upper case” on page 53
- “1130 LCD unit” on page 57
- “1140 LCD hinges” on page 59

Figure 15. Removal steps of integrated camera, LCD cable and antenna assembly

Note: The integrated camera is stuck on the top center of the LCD cover. Detach the integrated camera connector in the direction shown by arrow ■.

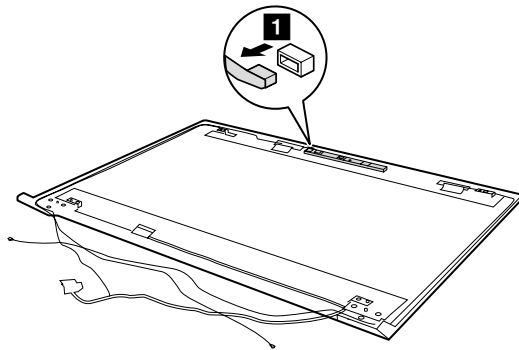
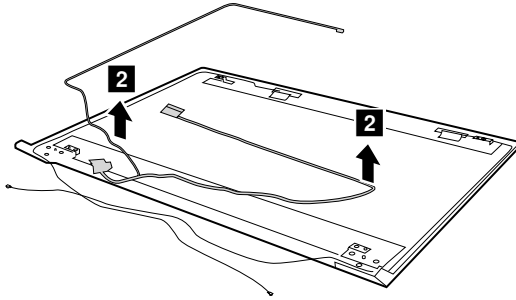


Figure 15. Removal steps of integrated camera, LCD cable and antenna assembly (continued)

Remove the LCD cable in the direction shown by arrows **2**.



Remove the antenna assembly in the direction shown by arrows **3**.

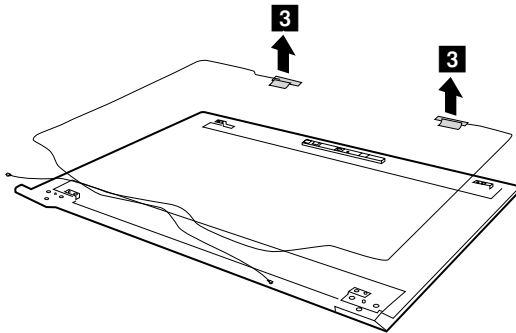
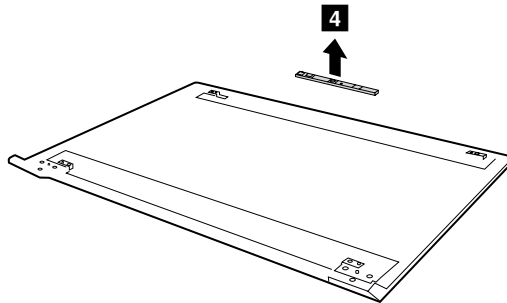


Figure 15. Removal steps of integrated camera, LCD cable and antenna assembly (continued)

Remove the camera in the direction shown by arrow 4.



When installing: Stick the integrated camera to the top center of the LCD cover and adjust the placement of it to make sure the connector is attached firmly.

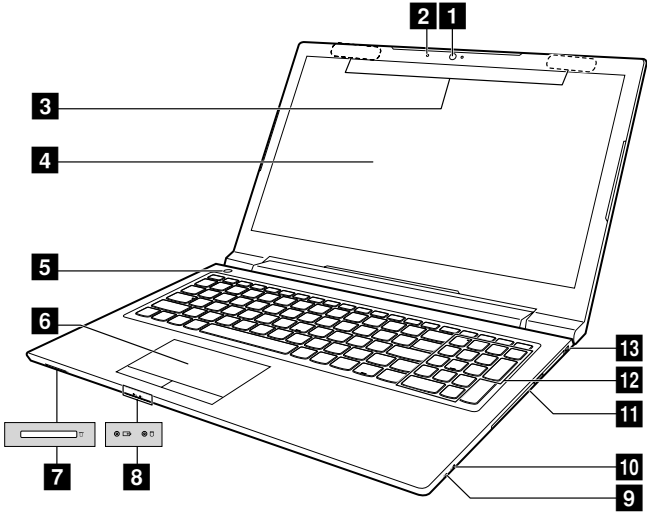
Locations

Front view and right-side view

- Integrated camera
- 2 Built-in microphone
- 3 Wireless LAN antennas
- 4 Computer display
- 5 Power button
- 6 Touchpad
- 7 Memory card slot
- 8 System status indicators

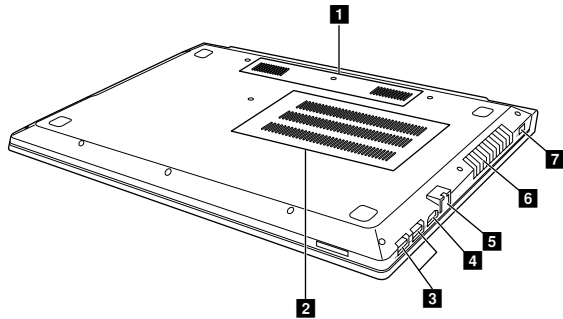
Note: For the description of each indicator, see “Status indicators” on page 29.

- 9 Novo button
- 10 Combo audio jack
- 11 Optical disc drive
- 12 Numeric keypad
- 13 Kensington Mini Security slot



Bottom and Left-side view

- Speakers
- 2 Ventilation slots
- 3 USB port
- 4 HDMI port
- 5 RJ-45 port
- 6 Ventilation slots
- 7 AC power adapter jack



Parts list

This section presents the following service parts:

- “Overall” on page 66
- “LCD FRUs” on page 70
- “Miscellaneous parts” on page 72
- “AC adapters” on page 73
- “Screws” on page 73
- “Power cords” on page 74

Note:

Each FRU is available for all types or models, unless specific types or models are specified.

Attention:

Do not attempt to replace an FRU on your own. If an FRU is damaged, contact a Lenovo authorized servicer or a marketing representative for replacement or repair. Only qualified technicians can inspect or repair this product.

Overall

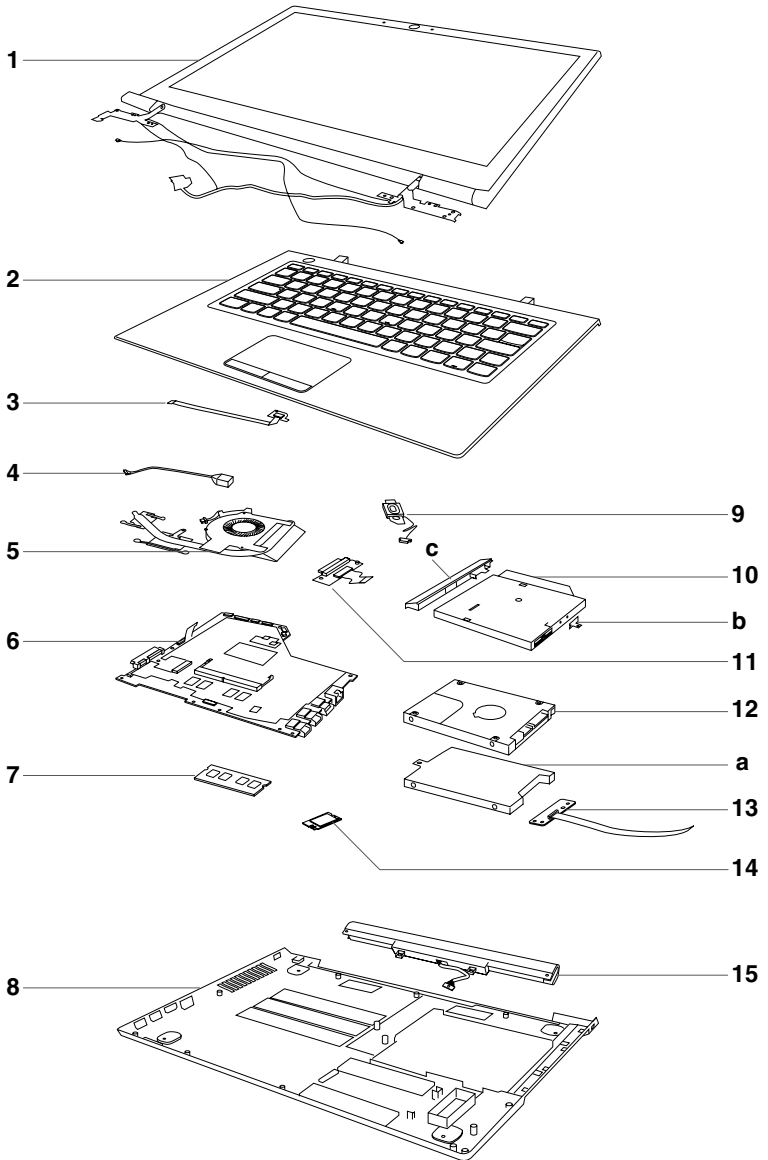


Table 4. Parts list—Overall

No.	FRU	FRU no.	CRU ID.
a-c	See "Miscellaneous parts" on page 72.		
1	LCD unit (see "LCD FRUs" on page 70.)		
2	UpperCase W 80TL W/KB/TP/Cable US	5CB0L78358	N
2	UpperCase W 80TL W/KB/TP/Cable UK	5CB0L78391	
2	UpperCase W 80TL W/KB/TP/Cable IT	5CB0L78317	
2	UpperCase W 80TL W/KB/TP/Cable SP	5CB0L78380	
2	UpperCase W 80TL W/KB/TP/Cable TR	5CB0L78344	
2	UpperCase W 80TL W/KB/TP/Cable TI	5CB0L78372	
2	UpperCase W 80TL W/KB/TP/Cable PO	5CB0L78319	
2	UpperCase W 80TL W/KB/TP/Cable LA	5CB0L78352	
2	UpperCase W 80TL W/KB/TP/CableCFE	5CB0L78384	
2	UpperCase W 80TL W/KB/TP/Cable KO	5CB0L78337	
2	UpperCase W 80TL W/KB/TP/Cable CH	5CB0L78328	
2	UpperCase W 80TL W/KB/TP/Cable RU	5CB0L78347	
2	UpperCase W 80TL W/KB/TP/Cable FR	5CB0L78363	
2	UpperCase W 80TL W/KB/TP/Cable GR	5CB0L78312	
2	UpperCase W 80TL W/KB/TP/CableARE	5CB0L78315	
2	UpperCase W 80TL W/KB/TP/Cable BZ	5CB0L78371	
2	UpperCase W 80TL W/KB/TP/Cable JA	5CB0L81944	
2	UpperCase W 80TL W/KB/TP/Cable NL	5CB0L78360	
2	UpperCase W 80TL W/KB/TP/Cable GK	5CB0L78367	
2	UpperCase W 80TL W/KB/TP/Cable HB	5CB0L78378	
2	UpperCase W 80TL W/KB/TP/Cable HG	5CB0L78359	
2	UpperCase W 80TL W/KB/TP/Cable ND	5CB0L78355	
2	UpperCase W 80TL W/KB/TP/Cable BE	5CB0L78330	
2	UpperCase W 80TL W/KB/TP/CableICE	5CB0L78321	
2	UpperCase W 80TL W/KB/TP/Cable SA	5CB0L78339	
2	UpperCase W 80TL W/KB/TP/Cable SW	5CB0L78316	
2	UpperCaseW80TL W/KB/TP/CableUSI'E	5CB0L78326	
2	UpperCase W80TL W/KB/TP/CableCZSK	5CB0L78392	
2	UpperCase W 80TL W/KB/TP/Cable BU	5CB0L78356	
2	UpperCaseW80TL W/KB/TP/CableINDIA	5CB0L78389	
2	UpperCase W80TL W/KB/TP/CableFRAR	5CB0L78340	
2	UpperCase W 80TL W/KB/TP/CableUKR	5CB0L78373	
3	Power Board W 80TL W/Cable	5C50L78332	
4	DC-IN Cable W 80TL	5C10L78342	
5	ThermalModuleW80TLUMA GT2W/MLR	5H40M09359	
5	ThermalModuleW80TLDIS GT2W/MLR	5H40M09358	
6	MB W 80TH NOK 3865U DIS 4G NFP	5B20P11157	
6	MB W 80TH WIN 3865U DIS 4G NFP	5B20P11158	
6	MB W 80TH NOK 3865U UMA 4G NFP	5B20P11184	
6	MB W 80TH WIN 3865U UAM 4G NFP	5B20P11180	
6	MB W 80TH NOK 3865U DIS NFP	5B20P11176	
6	MB W 80TH WIN 3865U DIS NFP	5B20P11168	
6	MB W 80TH NOK 3865U UMA NFP	5B20P11185	
6	MB W 80TH WIN 3865U UAM NFP	5B20P11169	
6	MB W 80TH NOK 4415U DIS 4G NFP	5B20P11164	

Table 4. Parts list—Overall (continued)

No.	FRU	FRU no.	CRU ID.
6	MB W 80TH WIN 4415U DIS 4G NFP	5B20P11161	N
6	MB W 80TH NOK 4415U UMA 4G NFP	5B20P11174	
6	MB W 80TH WIN 4415U UAM 4G NFP	5B20P11165	
6	MB W 80TH NOK 4415U DIS NFP	5B20P11170	
6	MB W 80TH WIN 4415U DIS NFP	5B20P11159	
6	MB W 80TH NOK 4415U UMA NFP	5B20P11182	
6	MB W 80TH WIN 4415U UAM NFP	5B20P11183	
6	MB W 80TH NOK I37100 DIS 4G NFP	5B20P11181	
6	MB W 80TH WIN I37100 DIS 4G NFP	5B20P11166	
6	MB W 80TH NOK I37100 UMA 4G NFP	5B20P11178	
6	MB W 80TH WIN I37100 UAM 4G NFP	5B20P11162	
6	MB W 80TH NOK I37100 DIS NFP	5B20P11154	
6	MB W 80TH WIN I37100 DIS NFP	5B20P11177	
6	MB W 80TH NOK I37100 UMA NFP	5B20P11179	
6	MB W 80TH WIN I37100 UAM NFP	5B20P11172	
6	MB W 80TH NOK I57200 DIS 4G NFP	5B20P11155	
6	MB W 80TH WIN I57200 DIS 4G NFP	5B20P11160	
6	MB W 80TH NOK I57200 UMA 4G NFP	5B20P11173	
6	MB W 80TH WIN I57200 UAM 4G NFP	5B20P11167	
6	MB W 80TH NOK I57200 DIS NFP	5B20P11175	
6	MB W 80TH WIN I57200 DIS NFP	5B20P11171	
6	MB W 80TH NOK I57200 UMA NFP	5B20P11156	
6	MB W 80TH WIN I57200 UAM NFP	5B20P11163	
7	2GB D4S M471A5644EB0-CRC	SM30G16500	
7	2GB D4S HMA425S6AFR6N-UH	SM30G16501	
7	2GB D4S RMSA3270MB76H8F-2400	SM30G16503	
7	2GB D4S MTA4ATF25664HZ-2G3B1	SM30G16502	
7	4GB D4 S M471A5244CB0-CRC	SM30M49902	
7	4GB D4S HMA851S6AFR6N-UH	SM30G16505	
7	4GB D4S RMSA3270MB86H9F-2400	SM30G16507	
7	4GB D4S MTA4ATF51264HZ-2G3B1	SM30G16506	
7	8Gbx16 D4 CP K4A8G165WB-BCRC	SM30L08874	
7	8Gbx16 D4 CP MT40A512M16JY-083E:B	SM30L08877	
7	8Gbx16 D4 CP H5AN8G6NAFR-UHC	SM30L08875	
7	IC SDRAM K4A8G165WC-BCRC FBGA96P DDR4	SM30N71798	
8	Lower Case W 80TL	5CB0L78394	
9	Speaker W 80TL	5SB0L78393	
10	HLDS GUE0N 9.0mm Slim Tray Rambo ODD	5DX0J46488	*
10	PLDS DA-8AESH 9.0mm Slim Tray Rambo ODD	5DX0L08424	*
10	Dummy ODD W 80TL	5M20L78336	*
11	ODD Board W 80TL W/Cable	5C50L78362	N
12	ST500LT012 6G 7mm 5.4K 500G HDD	16200383	
12	MQ01ABF050 6G 7mm 5.4K 500G HDD	5H20L34560	
12	WD WD5000LPCX-24VHAT0 7mm 5400rpm 500G HDD	5H20J35762	
12	Seagate ST1000LM035 1T 2.5" 7mm 5400rpm HDD	5H20L22184	
12	TSB MQ01ABD100 6G 9.5mm 5.4K 1T HDD	5H20L34559	
12	WD10JPCX-24UE4T0 6G 9.5mm 5.4K 1T HDD	16200393	

Table 4. Parts list—Overall (continued)

No.	FRU	FRU no.	CRU ID.
12	5mm 128GB 2.5" SATA 6Gb/s RTNRB128RFM2KWDL SSD	5SD0M61138	N
12	CV3-DE1282.5"5mm128GSSD	5SD0L02317	
12	CV3-DE2562.5"5mm256GSSD	5SD0L02316	
12	5mm 256GB 2.5" SATA 6Gb/s RTNRB128RFM2KWDL SSD	5SD0M61139	
13	AUO Board W 80TL W/Cable	5C50L78318	
14	Intel 3165 1x1AC+BT PCIE M.2 WLAN	SW10H24486	
14	Ltn NFA435A 1x1AC+BT4.0 PCIE M.2 WLAN	SW10K97461	
14	Cbt RTL8821AE 1x1AC+BT4.0 PCIE M.2 WLAN	SW10A11648	
15	V310 CP/L L15C4A02 14.4V32Wh4cell bty	5B10L04163	
15	V310 LG L15L4A02 14.4V32Wh4cell bty	5B10L04164	
15	V310 SY L15S4A02 14.4V32Wh4cell bty	5B10L04212	
—	AC adapter (see "AC adapters" on page 73).		

LCD FRUs

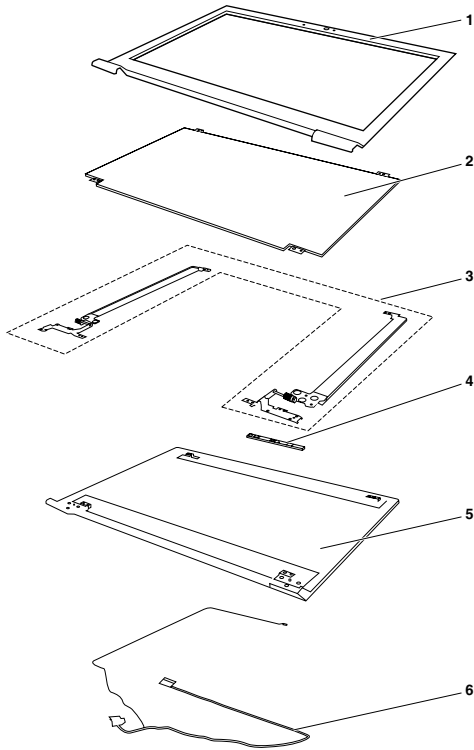


Table 5. Parts list—LCD FRUs

No.	FRU	FRU no.	CRU ID.
1	LCD Bezel W 80TL W/O Camera	5B30L81939	N
1	LCD Bezel W 80TL	5B30L78388	
2	INX N156BGA-EA2 HDT AG S NB	5D10K81086	
2	AU B156XTN07.1 3A HDT AG S NB	5D10H52713	
2	BO NT156WHM-N42 V8 HDT AG S NB	5D10K81097	
2	AU B156HTN03.8 0C FHDT AG S NB	5D10L08702	
2	IN N156HGA-EAB FHDT AG S NB	5D10K93435	
2	BO NT156FHM-N41 FHDT AG S NB	5D10K93434	
3	Hinge W 80TL L+R	5H50L78350	
4	Camera W 80TL 0.3M	5C20L78343	
5	LCD Cover W 80TL W/Antenna	5CB0L78341	
6	LCD Cable W 80TL	5C10L78348	

Miscellaneous parts

Table 6. Parts list—Miscellaneous parts

FRU	FRU no.	CRU ID.
System miscellaneous parts: <ul style="list-style-type: none"> • (a) HDD Bracket W 80TL • (b) ODD Bracket W 80TL • (c) ODD Bezel W 80TL <p>Note: Italicized letters in parentheses are references to the exploded view in "Overall" on page 66.</p>	5B40L78313 5B40L78379 5B30L78311	N

AC adapters

Table 7. Parts list—AC adapters

FRU	FRU no.	CRU ID.
Acbel ADLX45NAC3A 20V2.25A COO	SA10M42789	*
Delta ADLX45NDC3A 20V2.25A COO	SA10M42787	
Liteon ADLX45DLC3A 20V2.25A COO	SA10M42529	
Chicony ADLX45NCC3A 20V2.25A COO	SA10M42722	
Liteon ADLX65NLC3A 20V3.25A AD BIS	5A10J75114	
Delta ADLX65NDC3A 20V3.25A COO	SA10M42728	
Chicony ADLX65NCC3A 20V3.25A COO	SA10M42777	

Screws

Table 8. Parts list—screws

FRU	FRU no.	CRU ID.
Screw Pack W 80TL	5S10L78338	N

Power cords

A Lenovo power cord for a specific country or region is usually available only in that country or region:

Table 9. Parts list—3-pin power cords

Region	P/N	CRU ID.
UK 3pin • LINETEK LP-61L+ H03VV-F+ LS15 1m	145-000593	*
UK 3pin • Longwell LP-61L+H03VV-F+LS-18 1m	145-000561	
UK 3pin • VOLEX MP5004+H03VV-F+VAC5S 1m	145-000605	
UK 3pin • lux 0031+H03VV-F 0.75/3C+0011 1m	145-500000	
Europe 3pin • LINETEK LP-34+H03VV-F + LS15 1m	145-000585	
Europe 3pin • Longwell LP-34A+H03VV-F+LS-18 1m	145-000553	
Europe 3pin • VOLEX M2511+HO3VV-F+VAC5S 1m	145-000525	
Europe 3pin • lux 0033+H03VV-F 0.75/3C+0011 1m	145-500001	
US 3pin • LINETEK LP-30B + SPT-2 + LS15 1m	145-000594	
US 3pin • Longwell LP-30B+SPT-2 18AWG+LS-18 1m	145-000562	
US 3pin • Volex US15S3+SPT-2+VAC5S 1m	145-000537	
US 3pin • lux 0014+SPT-2 60°C 18/3C+0016 1m	145-500002	
China 3pin • LINETEK PC323+RVV300/300+LS15 1m	145-000600	
China 3pin • Longwell LSG-31+RVV300/300+LS-18 1m	145-000568	
China 3pin • VOLEX GB10S3+RVV 300/500+VAC5S 1m	145-000538	
China 3pin • lux 0036+RVV 300/300 0.75/3C+0002 1m	145-500003	
India 3pin • LINETEK PE-361+ H05VV-F+ LS15 1m	145-000592	
India 3pin • Longwell LP-67+BIS+LS-18 1m	145-000560	
India 3pin • VOLEX IA6A3+IS694+VAC5S 1m	145-000536	
India 3pin • lux 0046+IS694 0.75/3C+0011 1m	145-500004	
Japan 3pin • LINETEK LS15+VCTF+LP-54 1m	145-000587	

Table 9. Parts list—3-pin power cords (continued)

Region	P/N	CRU ID.
Japan 3pin • Longwell LP-54+VCTF+LS-18 1m	145-000555	*
Japan 3pin • VOLEX VAC5S+VCTF+M755 1m	145-000530	
Japan 3pin • lux 0018(E)+VCTF 0.75/3C+0021 1m	145-500005	
Australia 3pin • LINETEK LS15+H03VV-F+LP-23A 1m	145-000589	
Australia 3pin • Longwell LP-23A+LFC-3R+LS-18 1m	145-000557	
Australia 3pin • VOLEX AU10S3+H03VV-F+VAC5S 1m	145-000532	
Australia 3pin • lux 0038+H03VV-F 0.75/3C+0011 1m	145-500006	
Taiwan 3pin • LINETEK LS15+VCTF+LP-53 1m	145-000588	
Taiwan 3pin • Longwell LP-71+VCTF+LS-33 1m	145-000556	
Taiwan 3pin • VOLEX TW15CS3+VCTF+VAC5S 1m	145-000531	
Taiwan 3pin • lux 0019+VCTF 0.75/3C+0021 1m	145-500007	
Korea 3pin • LINETEK LS15+H05VV-F+LP-E04A 1m	145-000590	
Korea 3pin • Longwell LP-486+KTLH03VV-F+LS-5 1m	145-000558	
Korea 3pin • VOLEX M2511+KETI IEC+VAC5S 1m	145-000533	
Korea 3pin • lux 0033+H03VV-F 0.75/3C+0011 1m	145-500008	
Italy 3pin • LINETEK LS15+H03VV-F+PE-336 1m	145-000591	
Italy 3pin • Longwell LP-22+H03VV-F+LS-18 1m	145-000559	
Italy 3pin • VOLEX IT10S3+H03VV-F+VAC5S 1m	145-000535	
Italy 3pin • lux 0029+H03VV-F 0.75/3C+0011 1m	145-500009	
South Africa 3pin • LINETEK LS15+H03VV-F+PE-364 1m	145-000586	
South Africa 3pin • Longwell LP-39+H03VV-F+LS-18 1m	145-000554	
South Africa 3pin • lux 0044+H03VV-F 0.75/3C+0011 1m	145-500010	

Table 9. Parts list—3-pin power cords (continued)

Region	P/N	CRU ID.
Brazil 3pin • LINETEK LS15 H03VV-F LP26A 1m	145-000596	*
Brazil 3pin • Longwell LP-46+H03VV-F+LS-18 1m	145-000564	
Brazil 3pin • VOLEX CH10S3+H03VV-F+VAC5S 1m	145-000527	
Brazil 3pin • lux 0034+H03VV-F 0.75/3C+0011 1m	145-500011	
Israel 3pin • LINETEK LS15+H03VV-F+LP-41 1m	145-000595	
Israel 3pin • Longwell LP-41+H03VV-F+LS-18 1m	145-000563	
Israel 3pin • VOLEX SI16S3+H03VV-F+VAC5S 1m	145-000526	
Israel 3pin • lux 0041+H03VV-F 0.75/3C+0011 1m	145-500012	
Switzerland 3pin • LINETEK LS15+H03VV-F+LP-37 1m	145-000597	
Switzerland 3pin • Longwell LP-37+H03VV-F+LS-18 1m	145-000565	
Switzerland 3pin • VOLEX MP232+H03VV-F+VAC5S 1m	145-000524	
Switzerland 3pin • lux 0027+H03VV-F 0.75/3C+0011 1m	145-500013	
Denmark 3pin • LINETEK LS15+H03VV-F+LP-38 1m	145-000598	
Denmark 3pin • Longwell LP-40+H03VV-F+LS-18 1m	145-000566	
Denmark 3pin • VOLEX MP233D+H03VV-F+VAC5S 1m	145-000534	
Denmark 3pin • lux 0048+H03VV-F 0.75/3C+0011 1m	145-500014	
Thailand 3pin • lux 0014+H03VV-F 0.75/3C+0011 1m	5L60J33143	
Argentina 3pin • LINETEK LS15+H03VV-F+LP39 1m	145-000599	
Argentina 3pin • Longwell LP-24+H03VV-F+LS-18 1m	145-000567	
Argentina 3pin • VOLEX VA2073+H03VV-F+VAC5S 1m	145-000528	
Argentina 3pin • lux 0040+H03VV-F 0.75/3C+0011 1m	145-500015	

Notices

Lenovo may not offer the products, services, or features discussed in this document in all countries. Consult your local Lenovo representative for information on the products and services currently available in your area. Any reference to a Lenovo product, program, or service is not intended to state or imply that only that Lenovo product, program, or service may be used. Any functionally equivalent product, program, or service that does not infringe any Lenovo intellectual property right may be used instead. However, it is the user's responsibility to evaluate and verify the operation of any other product, program, or service.

Lenovo may have patents or pending patent applications covering subject matter described in this document. The furnishing of this document does not give you any license to these patents.

LENOVO GROUP LTD. PROVIDES THIS PUBLICATION "AS IS" WITHOUT WARRANTY OF ANY KIND, EITHER EXPRESS OR IMPLIED, INCLUDING, BUT NOT LIMITED TO, THE IMPLIED WARRANTIES OF NON-INFRINGEMENT, MERCHANTABILITY OR FITNESS FOR A PARTICULAR PURPOSE. Some jurisdictions do not allow disclaimer of express or implied warranties in certain transactions, therefore, this statement may not apply to you.

This information could include technical inaccuracies or typographical errors. Changes are periodically made to the information herein; these changes will be incorporated in new editions of the publication. Lenovo may make improvements and/or changes in the product(s) and/or the program(s) described in this publication at any time without notice.

The products described in this document are not intended for use in implantation or other life support applications where malfunction may result in injury or death to persons. The information contained in this document does not affect or change Lenovo product specifications or warranties. Nothing in this document shall operate as an express or implied license or indemnity under the intellectual property rights of Lenovo or third parties. All information contained in this document was obtained in specific environments and is presented as an illustration. The result obtained in other operating environments may vary.

Lenovo may use or distribute any of the information you supply in any way it believes appropriate without incurring any obligation to you.

Any references in this publication to non-Lenovo Web sites are provided for convenience only and do not in any manner serve as an endorsement of those Web sites. The materials at those Web sites are not part of the materials for this Lenovo product, and use of those Web sites is at your own risk.

Any performance data contained herein was determined in a controlled environment. Therefore, the result obtained in other operating environments may vary significantly. Some measurements may have been made on development-level systems and there is no guarantee that these measurements will be the same on generally available systems. Furthermore, some measurements may have been estimated through extrapolation. Actual results may vary. Users of this document should verify the applicable data for their specific environment.

Trademarks

The following terms are trademarks or registered trademarks of Lenovo in the United States, other countries, or both.

Lenovo
OneKey

Microsoft and Windows are trademarks of Microsoft Corporation in the United States, other countries, or both.

Other company, products, or service names may be trademarks or service marks of others.