



# HP ProBook 470 G5 Notebook PC

## Maintenance and Service Guide

© Copyright 2017 HP Development Company, L.P.

AMD is a trademark of Advanced Micro Devices, Inc. Bluetooth is a trademark owned by its proprietor and used by HP Inc. under license. Intel is a trademark of Intel Corporation in the U.S. and other countries. Microsoft and Windows are trademarks of the Microsoft group of companies.

The information contained herein is subject to change without notice. The only warranties for HP products and services are set forth in the express warranty statements accompanying such products and services. Nothing herein should be construed as constituting an additional warranty. HP shall not be liable for technical or editorial errors or omissions contained herein.

First Edition: September 2017

Document Part Number: 941341-001

### **Product notice**

This user guide describes features that are common to most models. Some features may not be available on your computer.

Not all features are available in all editions of Windows. This computer may require upgraded and/or separately purchased hardware, drivers and/or software to take full advantage of Windows functionality. Go to <http://www.microsoft.com> for details.

### **Your product does not support Windows 8 or Windows 7**

In accordance with Microsoft's support policy, HP does not support the Windows 8 or Windows 7 operating system on this product or provide any Windows 8 or Windows 7 drivers on <http://support.hp.com>.


### **Software terms**

By installing, copying, downloading, or otherwise using any software product preinstalled on this computer, you agree to be bound by the terms of the HP End User License Agreement (EULA). If you do not accept these license terms, your sole remedy is to return the entire unused product (hardware and software) within 14 days for a full refund subject to the refund policy of your seller.

For any further information or to request a full refund of the price of the computer, please contact your seller.

## Important Notice about Customer Self-Repair Parts

---


 **CAUTION:** Your computer includes Customer Self-Repair parts and parts that should only be accessed by an authorized service provider. See Chapter 5, "Removal and replacement procedures for Customer Self-Repair parts," for details. Accessing parts described in Chapter 6, "Removal and replacement procedures for Authorized Service Provider only parts," can damage the computer or void your warranty.

---



## Safety warning notice

---

 **WARNING!** To reduce the possibility of heat-related injuries or of overheating the computer, do not place the computer directly on your lap or obstruct the computer air vents. Use the computer only on a hard, flat surface. Do not allow another hard surface, such as an adjoining optional printer, or a soft surface, such as pillows or rugs or clothing, to block airflow. Also, do not allow the AC adapter to contact the skin or a soft surface, such as pillows or rugs or clothing, during operation. The computer and the AC adapter comply with the user-accessible surface temperature limits defined by the International Standard for Safety of Information Technology Equipment (IEC 60950-1).

---



---

# Table of contents

<b>1 Product description .....</b>	<b>1</b>
<b>2 Components .....</b>	<b>5</b>
Right .....	5
Left .....	6
Display .....	8
Keyboard area .....	9
TouchPad .....	9
Lights .....	10
Buttons, speakers, and fingerprint reader .....	11
Special keys .....	12
Action keys .....	13
Bottom .....	14
Labels .....	15
<b>3 Illustrated parts catalog .....</b>	<b>16</b>
Computer major components .....	16
Plastics Kit .....	18
Display components .....	19
Cable Kit .....	20
Bracket Kit .....	20
Mass storage devices .....	21
Miscellaneous parts .....	22
<b>4 Removal and replacement procedures preliminary requirements .....</b>	<b>25</b>
Tools required .....	25
Service considerations .....	25
Plastic parts .....	25
Cables and connectors .....	26
Drive handling .....	26
Grounding guidelines .....	27
Electrostatic discharge damage .....	27
Packaging and transporting guidelines .....	28
Workstation guidelines .....	28
Equipment guidelines .....	29

<b>5 Removal and replacement procedures for Customer Self-Repair parts .....</b>	<b>30</b>
Component replacement procedures .....	30
Battery Safe mode .....	30
Service doors .....	31
Memory modules .....	33
WLAN/Bluetooth combo card .....	35
Hard drive .....	37
M.2 solid-state drive .....	39
Keyboard .....	40
<b>6 Removal and replacement procedures for Authorized Service Provider parts .....</b>	<b>43</b>
Component replacement procedures .....	43
Top cover .....	44
Fingerprint reader assembly .....	47
Power button board .....	49
Speaker assembly .....	50
TouchPad assembly .....	52
USB board .....	53
Fan .....	55
Card reader board .....	57
Battery .....	58
System board .....	60
Heat sink .....	62
RTC battery .....	64
Display assembly – non-touch .....	65
Power connector and cable .....	71
<b>7 Computer Setup (BIOS), TPM, and HP Sure Start .....</b>	<b>72</b>
Using Computer Setup .....	72
Starting Computer Setup .....	72
Using a USB keyboard or USB mouse to start Computer Setup (BIOS) .....	72
Navigating and selecting in Computer Setup .....	72
Restoring factory settings in Computer Setup .....	73
Updating the BIOS .....	73
Determining the BIOS version .....	73
Downloading a BIOS update .....	74
Changing the boot order using the f9 prompt .....	75
TPM BIOS settings (select products only) .....	75
Using HP Sure Start (select products only) .....	75

<b>8 Using HP PC Hardware Diagnostics (UEFI)</b> .....	<b>76</b>
Downloading HP PC Hardware Diagnostics (UEFI) to a USB device .....	76
Using Remote HP PC Hardware Diagnostics (UEFI) settings (select products only) .....	77
Customizing Remote HP PC Hardware Diagnostics (UEFI) settings .....	77
<b>9 Backing up, restoring, and recovering</b> .....	<b>78</b>
Creating recovery media and backups .....	78
Creating HP Recovery media (select products only) .....	78
Using Windows tools .....	79
Restore and recovery .....	80
Recovering using HP Recovery Manager .....	80
What you need to know before you get started .....	80
Using the HP Recovery partition (select products only) .....	81
Using HP Recovery media to recover .....	81
Changing the computer boot order .....	82
Removing the HP Recovery partition (select products only) .....	82
<b>10 Specifications</b> .....	<b>83</b>
Computer specifications .....	83
43.9-cm (17.3-in) display specifications .....	84
Hard drive specifications .....	84
Solid-state drive specifications .....	85
<b>11 Statement of memory volatility</b> .....	<b>86</b>
Nonvolatile memory usage .....	88
Questions and answers .....	90
Using HP Sure Start (select models only) .....	91
<b>12 Power cord set requirements</b> .....	<b>92</b>
Requirements for all countries and regions .....	92
Requirements for specific countries and regions .....	92
<b>13 Recycling</b> .....	<b>94</b>
<b>Index</b> .....	<b>95</b>



# 1 Product description

Category	Description
<b>Product Name</b>	<b>HP ProBook 470 G5 Notebook PC</b>
<b>Processors</b>	<b>8th generation, Intel® Core™ i7 processor, quad core</b> (8-MB L3 cache, 15 W) i7-8550U, 1.8 GHz/3.7 GHz quad core turbo; Intel UHD Graphics 620
	<b>8th generation, Intel Core i5 processors, quad core</b> (6-MB L3 cache, 15 W) i5-8250U, 1.6 GHz/3.4 GHz quad core turbo; Intel UHD Graphics 620
	<b>7th generation, Intel Core i3 processor, dual core</b> (3-MB L3 cache, 15 W) i3-7100U, 2.4-GHz; Intel HD Graphics 620
<b>Graphics</b>	<b>Switchable discrete graphics</b> Nvidia GeForce 930MX with 2 GB dedicated video memory Supports HD decode, DX12, HDMI 1.4b Supports CUDA, Optimus, PhysX, GPU Boost 2.0
<b>Panel</b>	<b>43.9 cm (17.3-inch), LED backlight, 16:9 aspect ratio, anti glare, SVA, HD+ (1600x900), 220 nits, eDP, HD, flat (4.0 mm)</b> Camera, 1 WLAN antenna (only available with camera) Camera, 2 WLAN antennas (only available with camera)
	<b>43.9 cm (17.3-inch), LED backlight, 16:9 aspect ratio, anti-glare, UWVA, HD (1920x1080), 300 nits; eDP, FHD, IPS, flat (4.0 mm)</b> Camera, 1 WLAN antenna (only available with camera) Camera, 2 WLAN antennas (only available with camera)
<b>Memory</b>	Two customer-accessible memory module slots supporting up to 32 GB of RAM Supports dual-channel memory PC4, 2133-MHz, DDR4 SODIMMs (models with 8th generation Intel Core processors run at 2400 MHz) Supports the following configurations: <ul style="list-style-type: none"><li>• 32768 MB (16384 × 2; dual channel)</li><li>• 16384 MB (16384 × 1)</li><li>• 16384 MB (8192 × 2; dual channel)</li><li>• 12288 MB (8192 + 4096; dual channel)</li><li>• 8192 MB (8192 × 1)</li><li>• 8192 MB (4096 × 2; dual channel)</li><li>• 4096 MB (4096 × 1)</li></ul>
<b>Primary storage</b>	Supports hard drives with HP 3D DriveGuard

Category	Description
	<p>Primary storage not required if primary M.2 storage selected</p> <p>Supports the following SATA, 7 mm/9.5 mm, 2.5 inch hard drives:</p> <ul style="list-style-type: none"> <li>• 1-TB, 5400-rpm</li> <li>• 500-GB, 7200-rpm</li> <li>• 500-GB, hybrid (8-GB SSD)</li> </ul>
<b>Primary M.2 storage</b>	<p><b>M.2 2280 SSD (NGFF)</b></p> <ul style="list-style-type: none"> <li>• 512 GB, PCIe, NVMe, TLC</li> <li>• 256 GB, PCIe, NVMe, value</li> <li>• 128 GB, SATA, TLC</li> </ul>
<b>Optical drive</b>	Supports external USB optical drive
<b>Audio/Visual</b>	<p>Audio controls</p> <p>Integrated dual-array microphone (camera models only)</p> <p>Integrated camera (720p HD) (supports Wide Dynamic Range [WDR])</p> <p>Stereo speakers (2)</p> <p>Headphone/microphone combo jack</p>
<b>Ethernet</b>	<p>Realtek RTL8111HSH 10/100/1000</p> <p>S3/S4/S5 wake on LAN (AC mode and battery mode)</p>
<b>Wireless</b>	<p><b>Integrated WLAN options by way of wireless module</b></p> <p>WLAN antennas built into top of display assembly</p> <p>Supports HP Connection Optimizer with wi-fi load balancing</p> <p>Supports “no WLAN/Bluetooth” option</p> <p>Supports the following wireless adapters via minicard connector:</p> <ul style="list-style-type: none"> <li>• Realtek RTL8822BE 802.11AC 2x2 Wi-Fi + BT 4.2 Combo Adapter</li> <li>• Realtek RTL8821CE 802.11AC 1x1 Wi-Fi + BT 4.2 Combo Adapter</li> <li>• Intel Dual Band Wireless-AC 3168 802.11ac, Dual Band, 1x1 Wi-Fi + Bluetooth 4.0</li> <li>• Intel Dual Band Wireless-AC 8265, 802.11ac, 2x2 Wi-Fi + Bluetooth 4.2 combination adapter (non-vPro)</li> </ul> <p><b>Wireless Personal Area Network (PAN) Bluetooth</b></p> <p>Bluetooth 4.2 supported using combo card</p>
<b>External media card</b>	<p><b>Digital Media Reader Slot</b></p> <p>Supports SD, SDHC, SDXC</p>
<b>Ports (Input/output)</b>	<p>VGA (Dsub 15-pin) supporting:</p> <ul style="list-style-type: none"> <li>• 2048×1536 external resolution at 60-GHz</li> <li>• Hot plug/unplug and auto detect</li> <li>• HDMI 1.4b</li> </ul>

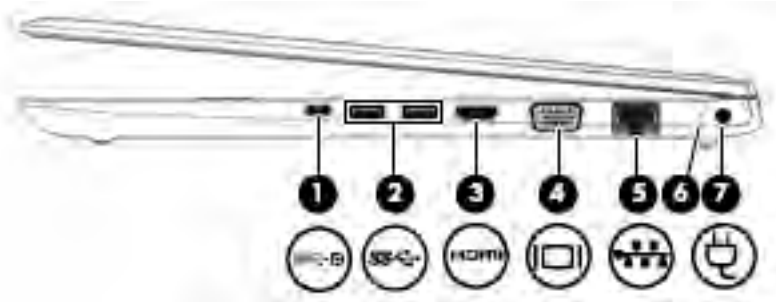
<b>Category</b>	<b>Description</b>
	(2) USB 3.0 (right/left)
	USB 2.0 powered port (left)
	USB Type-C (PD+DP, gen 1)
	Headphone/microphone combo jack
	RJ-45 (Ethernet, includes link and activity lights)
	Multi-pin AC port
<b>Docking</b>	Docking via USB Type-C
<b>Keyboard/pointing devices</b>	<b>Keyboard</b>
	HP Premium Keyboard
	TouchPad
	Full-sized, chiclet keyboard with numeric keypad, spill-resistant keyboard (backlit or not backlit)
	<b>TouchPad requirements</b>
	Windows 10 gestures: taps enabled by default: on/off control by driver, 2-finger scrolling and zoom enabled by default, OSD (enable/disable), 3-finger tap - Cortana, 3-finger flick - App switch, 4-finger tap - Action Center
<b>Power requirements</b>	<b>Battery</b>
	3-cell prismatic, 48-Wh, long-life, Li-ion battery
	<b>AC adapters</b>
	65-W Smart AC adapter, right angle, 4.5 mm (not available for India)
	65-W Smart AC adapter, right angle, 4.5 mm – EM (available for India)
	<b>Power cords</b>
	3-wire plug - 1.8 m
	3-wire plug - 1.0 m
<b>Security</b>	Security lock
	Integrated fingerprint reader
	Supports “No fingerprint reader” option
	TPM 2.0 SLB9670 (Infineon; soldered down)
	Hardware enforced firmware protection: HP Hardware Root of Trust
	ANSSI Certified Hardware Root of Trust: Yes
	Hardware enforced software protection: No
	Firmware based operating system recovery: No
<b>Operating system</b>	<b>Operating system version</b>
	Windows 10
	<b>Preinstalled</b>
	Windows 10 Home 64
	Windows 10 Home 64 – Plus

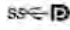




<b>Category</b>	<b>Description</b>
	Windows 10 Home 64 Single Language
	Windows 10 Home 64 Single Language – Plus
	Windows 10 Home 64 StF MSNA for Higher Education - Strategic
	Windows 10 Professional 64
	Windows 10 Professional 64 StF MSNA - Standard
	Windows 10 Professional 64 StF MSNA - Plus
	Windows 10 Professional StF MSNA - Strategic
	FreeDOS 2.0
	<b>Restore Media (DRDVD/SRDVD)</b>
	DRDVD Windows 10
	<b>Restore Media (OSDVD)</b>
	Windows 10 Professional 64
	<b>Certified</b>
	Microsoft WHQL
	<b>Web-only support</b>
	Windows 10 Enterprise
	Windows 10 Enterprise 64 LTSB 1607
<b>Serviceability</b>	<b>End-user replaceable parts</b>
	AC adapter
	M.2 solid-state drive
	Hard drive
	Memory module
	WLAN module
	Keyboard


## 2 Components

Your computer features top-rated components. This chapter provides details about your components, where they're located, and how they work.

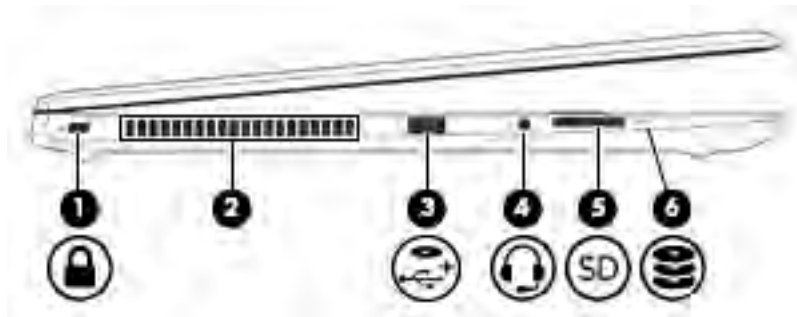
### Right


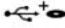





Component	Description
<b>(1)</b> 	USB Type-C power connector port, SuperSpeed port, and DisplayPort Connects an AC adapter that has a USB Type-C connector, supplying power to the computer and, if needed, charging the computer battery. – and – Connects a USB device that has a Type-C connector, such as a cell phone, camera, activity tracker, or smartwatch, and provides high-speed data transfer. – and – Connects a display device that has a USB Type-C connector, providing DisplayPort output. <b>NOTE:</b> Cables and/or adapters (purchased separately) may be required.
<b>(2)</b> 	USB 3.x SuperSpeed ports Connects a USB device, such as a cell phone, camera, activity tracker, or smartwatch, and provides high-speed data transfer.
<b>(3)</b> 	HDMI port Connects an optional video or audio device, such as a high-definition television, any compatible digital or audio component, or a high-speed High Definition Multimedia Interface (HDMI) device.
<b>(4)</b> 	External monitor port Connects an external VGA monitor or projector.
<b>(5)</b> 	RJ-45 (network) jack/status lights Connects a network cable. <ul style="list-style-type: none"> <li>• Green (right): The network is connected.</li> <li>• Amber (left): Activity is occurring on the network.</li> </ul>
<b>(6)</b>	Battery light When AC power is connected: <ul style="list-style-type: none"> <li>• White: The battery charge is greater than 90 percent.</li> </ul>

Component	Description
	<ul style="list-style-type: none"> <li>• Amber: The battery charge is from 0 to 90 percent.</li> <li>• Off: The battery is not charging.</li> </ul> <p>When AC power is disconnected (battery not charging):</p> <ul style="list-style-type: none"> <li>• Blinking amber: The battery has reached a low battery level. When the battery has reached a critical battery level, the battery light begins blinking rapidly.</li> <li>• Off: The battery is not charging.</li> </ul>
(7) 	<p>Power connector</p> <p>Connects an AC adapter.</p>

## Left



Component	Description
(1) 	<p>Security cable slot</p> <p>Attaches an optional security cable to the computer.</p> <p><b>NOTE:</b> The security cable is designed to act as a deterrent, but it may not prevent the computer from being mishandled or stolen.</p>
(2)	<p>Vent</p> <p>Enables airflow to cool internal components.</p> <p><b>NOTE:</b> The computer fan starts up automatically to cool internal components and prevent overheating. It is normal for the internal fan to cycle on and off during routine operation.</p>
(3) 	<p>USB 2.0 powered port</p> <p>Connects a USB device, such as a cell phone, camera, activity tracker, optical drive, or smartwatch, and provides data transfer.</p>
(4) 	<p>Audio-out (headphone)/Audio-in (microphone) combo jack</p> <p>Connects optional powered stereo speakers, headphones, earbuds, a headset, or a television audio cable. Also connects an optional headset microphone. This jack does not support optional standalone microphones.</p>

Component	Description
(5)  Memory card reader	<p><b>WARNING!</b> To reduce the risk of personal injury, adjust the volume before putting on headphones, earbuds, or a headset. For additional safety information, refer to the <i>Regulatory, Safety, and Environmental Notices</i>.</p> <p>To access this guide:</p> <ol style="list-style-type: none"> <li>1. Type <code>support</code> in the taskbar search box, and then select the <b>HP Support Assistant</b> app.</li> <li>– or –</li> <li>Click the question mark icon in the taskbar.</li> <li>2. Select <b>My PC</b>, select the <b>Specifications</b> tab, and then select <b>User Guides</b>.</li> </ol> <p><b>NOTE:</b> When a device is connected to the jack, the computer speakers are disabled.</p>
(6)  Drive light	<p>Reads optional memory cards that store, manage, share, or access information.</p> <p>To insert a card:</p> <ol style="list-style-type: none"> <li>1. Hold the card label-side up, with the connectors facing the computer.</li> <li>2. Insert the card into the memory card reader, and then press in on the card until it is firmly seated.</li> </ol> <p>To remove a card:</p> <ul style="list-style-type: none"> <li>▲ Press in on the card, and then remove it from the memory card reader.</li> </ul> <ul style="list-style-type: none"> <li>● Blinking white: The hard drive is being accessed.</li> <li>● Amber: HP 3D DriveGuard has temporarily parked the hard drive.</li> </ul>

# Display



Component	Description
(1) Internal microphone	Records sound.
(2) Camera	Allows you to video chat, record video, and record still images. Some cameras also allow a facial recognition logon to Windows, instead of a password logon. <b>NOTE:</b> Camera functions vary depending on the camera hardware and software installed on your product.
(3) Camera light	On: Cameras is in use.
(4) WLAN antennas	Send and receive wireless signals to communicate with wireless local area networks (WLANs).

\*The antennas are not visible from the outside of the computer. For optimal transmission, keep the areas immediately around the antennas free from obstructions.

For wireless regulatory notices, see the section of the *Regulatory, Safety, and Environmental Notices* that applies to your country or region.

To access this guide:

1. Type `support` in the taskbar search box, and then select the **HP Support Assistant** app.

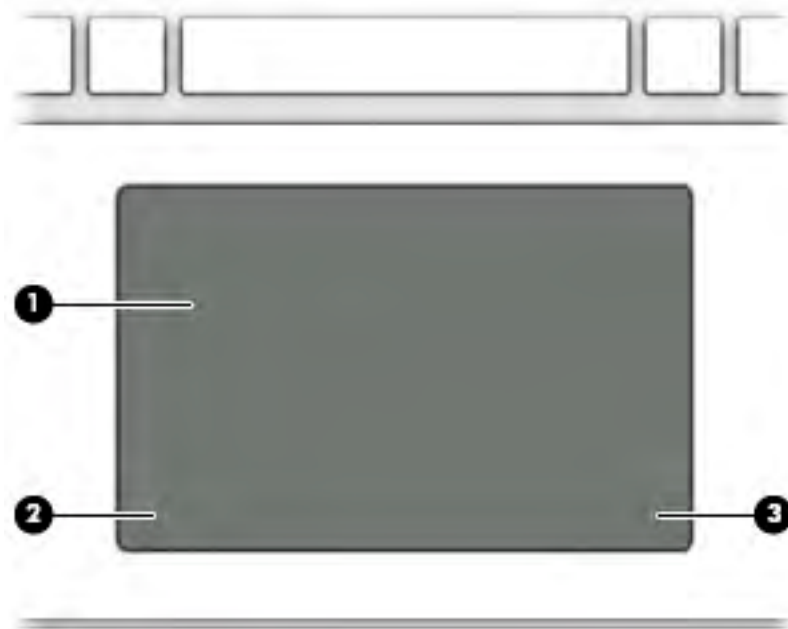
– or –

Click the question mark icon in the taskbar.

2. Select **My PC**, select the **Specifications** tab, and then select **User Guides**.

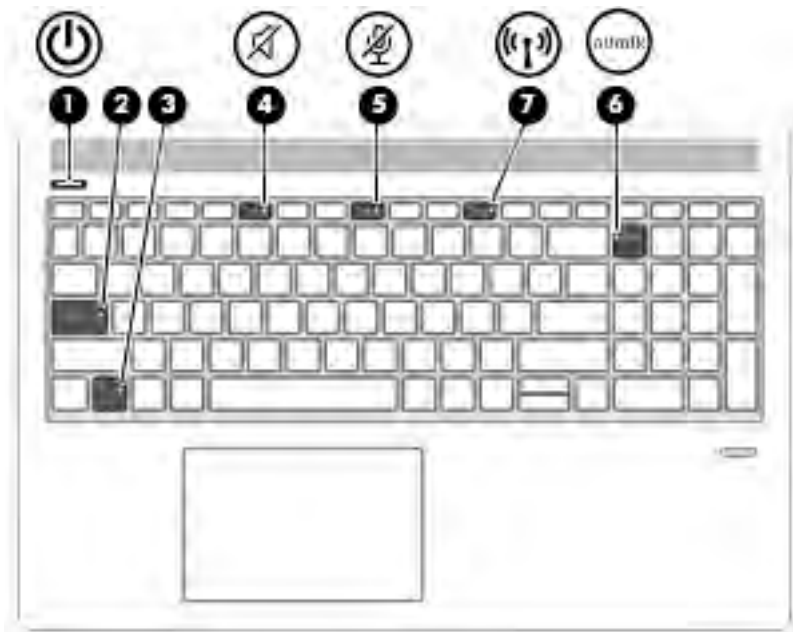
# Keyboard area




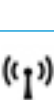
## TouchPad



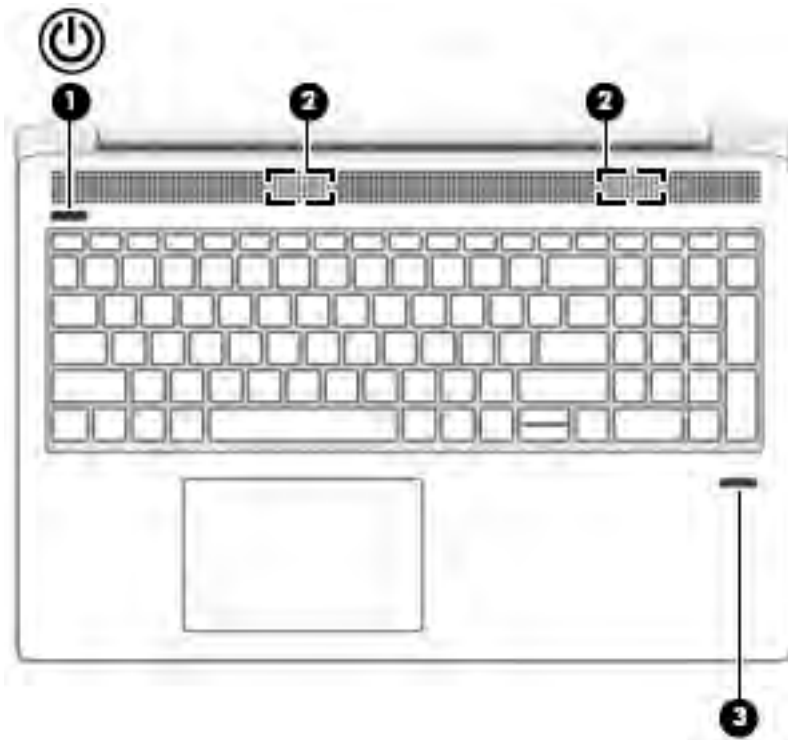
Component	Description
(1) TouchPad zone	Reads your finger gestures to move the pointer or activate items on the screen.
(2) Left TouchPad button	Functions like the left button on an external mouse.
(3) Right TouchPad button	Functions like the right button on an external mouse.



## Lights



Component	Description
(1)  Power light	<ul style="list-style-type: none"> <li>On: The computer is on.</li> <li>Blinking: The computer is in the Sleep state, a power-saving state. The computer shuts off power to the display and other unneeded components.</li> <li>Off: The computer is off or in Hibernation. Hibernation is a power-saving state that uses the least amount of power.</li> </ul>
(2) Caps lock light	On: Caps lock is on, which switches the key input to all capital letters.
(3) Fn lock light	On: The <b>fn</b> key is locked.
(4)  Mute light	<ul style="list-style-type: none"> <li>Amber: Computer sound is off.</li> <li>Off: Computer sound is on.</li> </ul>
(5)  Microphone mute light	<ul style="list-style-type: none"> <li>Amber: Microphone is off.</li> <li>Off: Microphone is on.</li> </ul>
(6) num lk Num lk light	On: Num lock is on.
(7)  Wireless light	<p>On: An integrated wireless device, such as a wireless local area network (WLAN) device and/or a Bluetooth® device, is on.</p> <p><b>NOTE:</b> On some models, the wireless light is amber when all wireless devices are off.</p>

## Buttons, speakers, and fingerprint reader







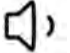
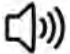




Component	Description
<b>(1)</b>  Power button	<ul style="list-style-type: none"> <li>• When the computer is off, press the button to turn on the computer.</li> <li>• When the computer is on, press the button briefly to initiate Sleep.</li> <li>• When the computer is in the Sleep state, press the button briefly to exit Sleep.</li> <li>• When the computer is in Hibernation, press the button briefly to exit Hibernation.</li> </ul> <p><b>CAUTION:</b> Pressing and holding down the power button results in the loss of unsaved information.</p> <p>If the computer has stopped responding and shutdown procedures are ineffective, press and hold the power button for at least 5 seconds to turn off the computer.</p> <p>To learn more about your power settings, see your power options.</p> <p>▲ Right-click the <b>Power meter</b> icon  and then select <b>Power Options</b>.</p>
<b>(2)</b> Speakers (2)	Produce sound.
<b>(3)</b> Fingerprint reader (select products only)	Allows a fingerprint logon to Windows, instead of a password logon.




## Action keys

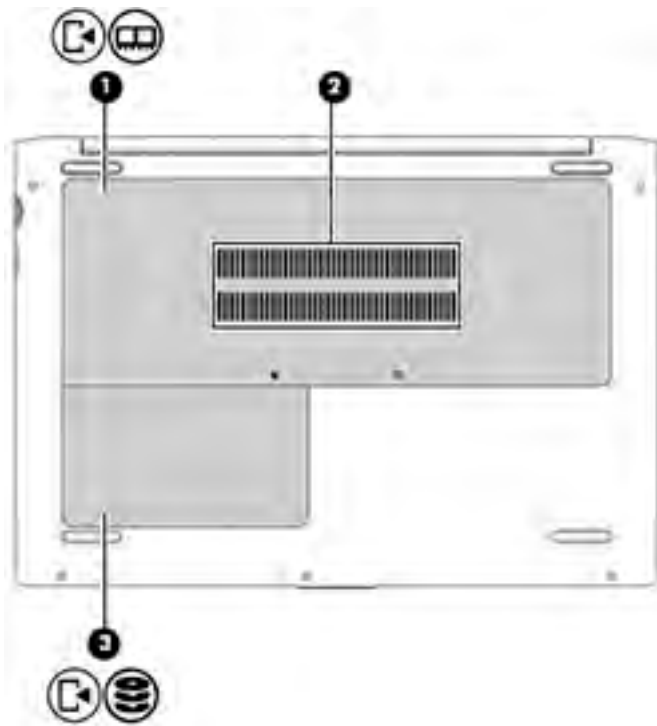
An action key performs the function indicated by the icon on the key. To determine which keys are on your product, see [Special keys on page 12](#).



▲ To use an action key, press and hold the key.

Icon	Description
	Switches the screen image among display devices connected to the system. For example, if a monitor is connected to the computer, repeatedly pressing the key alternates the screen image from computer display to monitor display to simultaneous display on both the computer and monitor.
	Decreases the screen brightness incrementally as long as you hold down the key.
	Increases the screen brightness incrementally as long as you hold down the key.
	Mutes or restores speaker sound.
	Decreases speaker volume incrementally while you hold down the key.
	Increases speaker volume incrementally while you hold down the key.
	Mutes the microphone.
	Turns the keyboard backlight off or on. <b>NOTE:</b> To conserve battery power, turn off this feature.
	Turns the wireless feature on or off. <b>NOTE:</b> A wireless network must be set up before a wireless connection is possible.
	Initiates Sleep, which saves your information in system memory. The display and other system components turn off and power is conserved. To exit Sleep, briefly press the power button. <b>CAUTION:</b> To reduce the risk of information loss, save your work before initiating Sleep.

 **NOTE:** The action key feature is enabled at the factory. You can disable this feature by pressing and holding the **fn** key and the left **shift** key. The **fn** lock light will turn on. After you have disabled the action key feature, you can still perform each function by pressing the **fn** key in combination with the appropriate action key.


## Bottom



Component		Description
<b>(1)</b> 	Service door	Provides access to the WLAN module slot and the memory module slots.  <b>CAUTION:</b> To prevent an unresponsive system, replace the wireless module only with a wireless module authorized for use in the computer by the governmental agency that regulates wireless devices in your country or region. If you replace the module and then receive a warning message, remove the module to restore computer functionality, and then contact support.  <b>▲</b> Type <code>support</code> in the taskbar search box, and then select the <b>HP Support Assistant</b> app.  – or –  Click the question mark icon in the taskbar.
<b>(2)</b>	Vent	Enable airflow to cool internal components.  <b>NOTE:</b> The computer fan starts up automatically to cool internal components and prevent overheating. It is normal for the internal fan to cycle on and off during routine operation.
<b>(3)</b> 	Drive service door	Provides access to the hard drive bay.

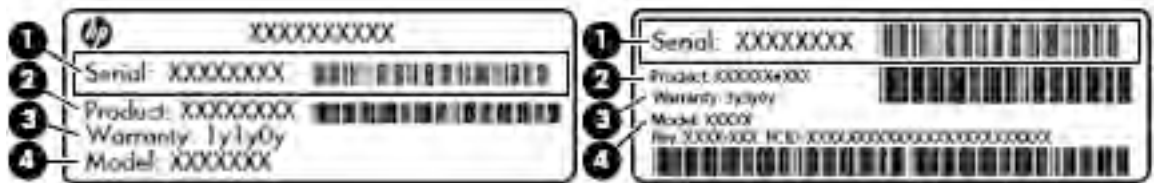
# Labels

The labels affixed to the computer provide information you may need when you troubleshoot system problems or travel internationally with the computer.

 **IMPORTANT:** Check the following locations for the labels described in this section: the bottom of the computer, the bottom of a tablet kickstand, inside the battery bay, under the service door, or on the back of the display.

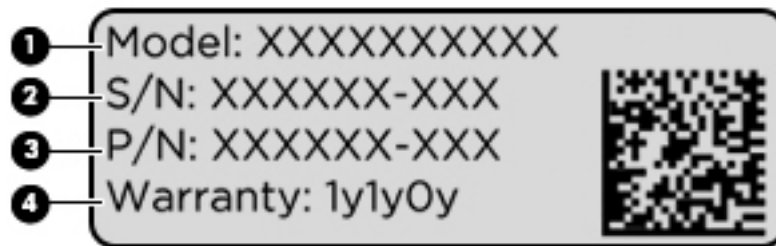
- Service label—Provides important information to identify your computer. When contacting support, you will probably be asked for the serial number, and possibly for the product number or the model number. Locate these numbers before you contact support.

Your service label will resemble one of the examples shown below. Refer to the illustration that most closely matches the service label on your computer.



## Component

- (1) Serial number
- (2) Product number
- (3) Warranty period
- (4) Model number (select products only)



## Component


- (1) Model name (select products only)
- (2) Serial number
- (3) Product number
- (4) Warranty period

- Regulatory label(s)—Provide(s) regulatory information about the computer.
- Wireless certification label(s)—Provide(s) information about optional wireless devices and the approval markings for the countries or regions in which the devices have been approved for use.

# 3 Illustrated parts catalog

## Computer major components

 **NOTE:** HP continually improves and changes product parts. For complete and current information on supported parts for your computer, go to <http://partsurfer.hp.com>, select your country or region, and then follow the on-screen instructions.

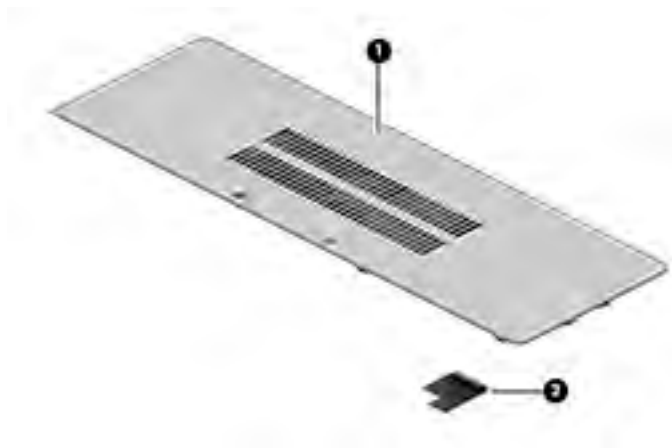
 **NOTE:** Details about your computer, including model, serial number, product key, and length of warranty, are on the service tag at the bottom of your computer. See [Labels on page 15](#) for details.



Item	Description	Spare part number
(1)	<b>Display panel assembly</b> Non-touch displays are spared only at the subcomponent level. Non-touch assemblies are not spared as whole units.	not spared as whole unit
(2)	<b>Keyboard</b> (includes cable) <b>NOTE:</b> For a detailed list of keyboard country codes, see <a href="#">Keyboard on page 40</a> .	
	No backlight	L01028-xxx
	Backlit	L01027-xxx
(3)	<b>Top cover</b>	L00845-001
(4)	<b>Power button board</b>	L01026-001
(5)	<b>TouchPad</b>	L00846-001
(6)	<b>Speaker assembly</b>	L00839-001
(7)	<b>Battery, Li-ion (4-cell, 48 WHr, 4.21 Ah)</b>	851610-855
(8)	<b>Fingerprint reader assembly</b> (includes cable)	L00852-001
(9)	<b>Fan</b>	L00843-001
(10)	<b>Heat sink assembly</b> (includes replacement thermal material)	L00842-001
(11)	<b>RTC battery</b>	746439-001
(12)	<b>System board</b> (includes replacement thermal material) All system boards use the following part numbers: xxxxxx-001: Non-Windows operating system xxxxxx-601: Windows 10 operating system	
	Intel Core i7-8550U processor	L00825-xxx
	Intel Core i5-8250U processor	L00824-xxx
	Intel Core i3-7100U processor	L00823-xxx
(13)	<b>Power connector cable</b>	L01952-001
(14)	<b>USB board</b>	L00831-001
(15)	<b>Card reader board</b>	L00833-001
(16)	<b>Base enclosure</b>	L00850-001
(17)	<b>Hard drive</b>	
	1 TB, 5400 rpm, 7 mm	762990-001
	500 GB, 5400 rpm, 7 mm, hybrid (8-GB SSD)	732000-001
	500 GB, 7200 rpm, 7 mm	778189-001
(18)	<b>Hard drive cover</b> <b>NOTE:</b> The hard drive cover is included in the Hard Drive Hardware Kit.	L00837-001
(19)	<b>Memory modules</b> (DDR4-2133)	
	16-GB	820571-001

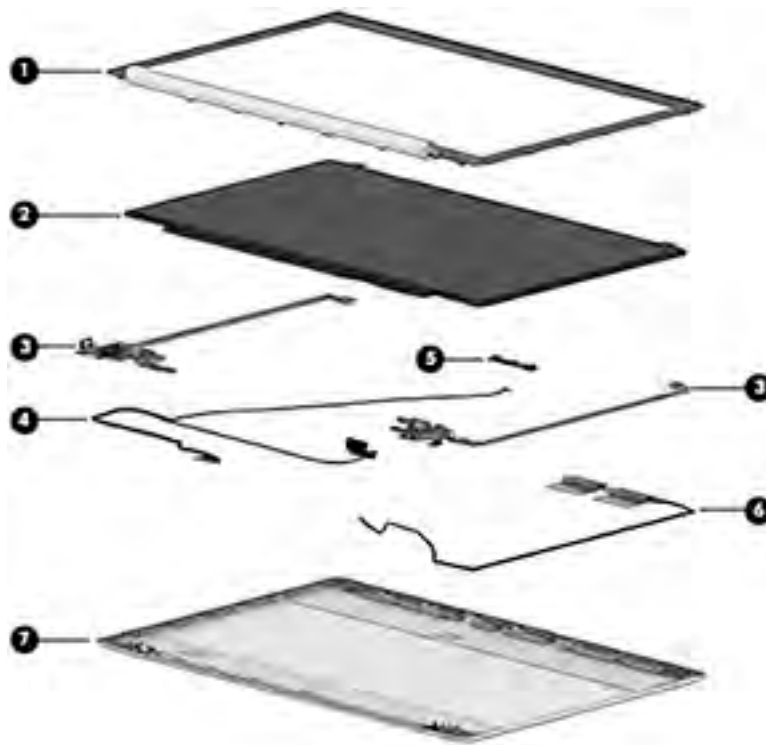
Item	Description	Spare part number
	8-GB	820570-001
	4-GB	820569-001
<b>(20)</b>	<b>M.2 solid-state drive</b>	
	512-GB, Turbo Drive	L00878-001
	256-GB, PCIe	L00877-001
	128-GB, SATA-3	L00876-001
<b>(21)</b>	<b>WLAN module</b>	
	Intel Dual Band Wireless-AC 3168 802.11ac, 1x1 Wi-Fi + Bluetooth 4.0 combination adapter	852511-001
	Intel Dual Band Wireless-AC 8265, 802.11ac, 2x2 Wi-Fi + Bluetooth 4.2 combination adapter	851594-001
	Realtek RTL8822BE 802.11AC 2x2 Wi-Fi + BT 4.2 Combo Adapter	915623-001
	Realtek RTL8821CE 802.11AC 1x1 Wi-Fi + BT 4.2 Combo Adapter	915621-001
<b>(22)</b>	<b>Main service door</b>	L00835-001
	<b>NOTE:</b> The main service door is included in the Plastic Kit.	
<b>(23)</b>	<b>Hard drive service door</b>	L00837-001
	<b>NOTE:</b> The hard drive service door is included in the Hard Drive Hardware Kit.	

## Plastics Kit



Item	Description	Spare part number
	<b>Plastics Kit</b>	L00835-001
<b>(1)</b>	Main service door	
<b>(2)</b>	Fingerprint reader insert (for use in models without a fingerprint reader)	

## Display components



Item	Description	Spare part number
(1)	<b>Display bezel</b>	
	Models without a webcam	L00861-001
	Models with a webcam	L00860-001
(2)	<b>Display panel (raw)</b>	
	UWVA	L00869-001
	SVA	L00870-001
(3)	<b>Hinge Kit</b> (includes left and right hinges)	L00866-001
(4)	<b>Display/webcam cable assembly</b>	L00864-001
(5)	<b>Webcam module</b>	L01065-001
	<b>Microphone board</b>	L01046-001
(6)	<b>WLAN antennas</b>	
	Single	L01499-001
	Dual	L01500-001
(7)	<b>Display rear cover</b> (includes wireless antennas)	L00857-001

## Cable Kit



Item	Description	Spare part number
<b>Cable Kit</b>		L00848-001
(1)	Power button board cable	
(2)	TouchPad cable	
(3)	Card reader board cable	
(4)	USB board cable	

## Bracket Kit



Item	Description	Spare part number
<b>Bracket Kit</b>		L01746-001
(1)	USB Type-C connector bracket	
(2)	Fingerprint reader bracket	
(3)	Fan bracket	

## Mass storage devices



Item	Description	Spare part number
(1)	<b>Solid-state drive, M.2</b>	
	512-GB, Turbo Drive	L00878-001
	256-GB, PCIe	L00877-001
	128-GB, SATA-3	L00876-001
(2)	<b>Hard drive</b>	
	1 TB, 5400 rpm, 7 mm	762990-001
	500 GB, 5400 rpm, 7 mm, hybrid (8-GB SSD)	732000-001
	500 GB, 7200 rpm, 7 mm	778189-001
	<b>Hard Drive Hardware Kit</b>	L00837-001
(3)	Hard drive cover	
(4)	Drive service door	

## Miscellaneous parts

Description	Spare part number
<b>AC adapters</b>	
65-W Smart AC power adapter, 4.5 mm barrel connector, S-3P, nPFC	913691-850
65-W Smart AC power adapter, 4.5 mm barrel connector, RC, nPFC	710412-001
65-W Smart AC power adapter, USB Type-C, nPFC	860209-850
<b>Power cord (3-pin, C5, black, 1.0-m), for use in:</b>	
Australia	923430-001
Denmark	923430-003
Europe (Austria, Belgium, Finland, France, Germany, the Netherlands, Norway and Sweden)	923430-004
India	923430-006
Israel	923430-005
Italy	923430-007
Japan	931252-001
North America	923430-008
South Africa	923430-009
South Korea	931250-001
Switzerland	923430-010
Taiwan	923430-012
Thailand	923430-011
United Kingdom	923430-013
<b>Power cord (C5, black, 1.0-m, duck head), for use in:</b>	
North America	931392-001
South Korea	931391-001
Switzerland	931365-001
<b>Power cord (3-pin, C5, black, 1.8-m), for use in:</b>	
Australia	931265-001
Denmark	931261-001
Europe (Austria, Belgium, Finland, France, Germany, the Netherlands, Norway and Sweden)	931259-001
India	931270-001
Israel	931262-001
Italy	931256-001
Japan	931271-001
North America	931255-001
South Africa	931264-001

<b>Description</b>	<b>Spare part number</b>
South Korea	931267-001
Switzerland	931263-001
Taiwan	931269-001
Thailand	931266-001
United Kingdom and Singapore	931260-001
<b>Power cord (3-pin, C5, black, 1.83-m), for use in:</b>	
Australia	213356-001
Europe (Austria, Belgium, Finland, France, Germany, the Netherlands, Norway and Sweden)	213350-001
India	404827-001
Israel	398063-001
Italy	213352-001
Japan	349756-001
North America	213349-001
South Africa	361240-001
South Korea	267836-001
Switzerland	213354-001
Taiwan	393313-001
United Kingdom and Singapore	213351-001
<b>Power cord (3-pin, C5, black, 1.00-m), for use in:</b>	
Australia	213356-013
Europe (Austria, Belgium, Finland, France, Germany, the Netherlands, Norway and Sweden)	213350-014
India	404827-008
Israel	398063-008
Italy	213352-013
North America	213349-015
South Africa	361240-007
Switzerland	213354-013
Taiwan	393313-007
Thailand	285096-012
United Kingdom	213351-013
<b>Power adapter (C5), for use in:</b>	
Japan	226768-001
<b>Screw Kit</b>	L00854-001
<b>Mouse</b>	

<b>Description</b>	<b>Spare part number</b>
HP USB Laser Mouse	674318-001
HP Comfort Grip Wireless Mouse	691922-001
HP USB Travel Mouse	757770-001
<b>Messenger bag</b>	679922-001
<b>HP Smart AC adapter dongle, 7.4 mm</b>	734734-001
<b>HP keyed cable lock</b>	840158-001
<b>HP Elite USB-C Docking Station</b>	844550-001
<b>HP USB-C Mini Dock</b>	935327-001
<b>HP USB Travel Dock</b>	844551-001

---

## 4 Removal and replacement procedures preliminary requirements

### Tools required


You will need the following tools to complete the removal and replacement procedures:

- Flat-bladed screwdriver
- Phillips P0 and P1 screwdrivers
- Torx T8 screwdriver

### Service considerations

The following sections include some of the considerations that you must keep in mind during disassembly and assembly procedures.


---

 **NOTE:** As you remove each subassembly from the computer, place the subassembly (and all accompanying screws) away from the work area to prevent damage.

---

### Plastic parts

---

 **CAUTION:** Using excessive force during disassembly and reassembly can damage plastic parts. Use care when handling the plastic parts. Apply pressure only at the points designated in the maintenance instructions.

---

## Cables and connectors

---

**⚠ CAUTION:** When servicing the computer, be sure that cables are placed in their proper locations during the reassembly process. Improper cable placement can damage the computer.

---

Cables must be handled with extreme care to avoid damage. Apply only the tension required to unseat or seat the cables during removal and insertion. Handle cables by the connector whenever possible. In all cases, avoid bending, twisting, or tearing cables. Be sure that cables are routed in such a way that they cannot be caught or snagged by parts being removed or replaced. Handle flex cables with extreme care; these cables tear easily.

## Drive handling

---

**⚠ CAUTION:** Drives are fragile components that must be handled with care. To prevent damage to the computer, damage to a drive, or loss of information, observe these precautions:

Before removing or inserting a hard drive, shut down the computer. If you are unsure whether the computer is off or in Hibernation, turn the computer on, and then shut it down through the operating system.

Before handling a drive, be sure that you are discharged of static electricity. While handling a drive, avoid touching the connector.

Before removing a diskette drive or optical drive, be sure that a diskette or disc is not in the drive and be sure that the optical drive tray is closed.

Handle drives on surfaces covered with at least one inch of shock-proof foam.

Avoid dropping drives from any height onto any surface.

After removing a hard drive, an optical drive, or a diskette drive, place it in a static-proof bag.

Avoid exposing a hard drive to products that have magnetic fields, such as monitors or speakers.

Avoid exposing a drive to temperature extremes or liquids.

If a drive must be mailed, place the drive in a bubble pack mailer or other suitable form of protective packaging and label the package "FRAGILE."

---

# Grounding guidelines

## Electrostatic discharge damage

Electronic components are sensitive to electrostatic discharge (ESD). Circuitry design and structure determine the degree of sensitivity. Networks built into many integrated circuits provide some protection, but in many cases, ESD contains enough power to alter device parameters or melt silicon junctions.

A discharge of static electricity from a finger or other conductor can destroy static-sensitive devices or microcircuitry. Even if the spark is neither felt nor heard, damage may have occurred.

An electronic device exposed to ESD may not be affected at all and can work perfectly throughout a normal cycle. Or the device may function normally for a while, and then degrade in the internal layers, reducing its life expectancy.

**CAUTION:** To prevent damage to the computer when you are removing or installing internal components, observe these precautions:

Keep components in their electrostatic-safe containers until you are ready to install them.

Use nonmagnetic tools.

Before touching an electronic component, discharge static electricity by using the guidelines described in this section.

Avoid touching pins, leads, and circuitry. Handle electronic components as little as possible.

If you remove a component, place it in an electrostatic-safe container.

The following table shows how humidity affects the electrostatic voltage levels generated by different activities.

**CAUTION:** A product can be degraded by as little as 700 V.

Typical electrostatic voltage levels			
Event	Relative humidity		
	10%	40%	55%
Walking across carpet	35,000 V	15,000 V	7,500 V
Walking across vinyl floor	12,000 V	5,000 V	3,000 V
Motions of bench worker	6,000 V	800 V	400 V
Removing DIPS from plastic tube	2,000 V	700 V	400 V
Removing DIPS from vinyl tray	11,500 V	4,000 V	2,000 V
Removing DIPS from Styrofoam	14,500 V	5,000 V	3,500 V
Removing bubble pack from PCB	26,500 V	20,000 V	7,000 V
Packing PCBs in foam-lined box	21,000 V	11,000 V	5,000 V

## Packaging and transporting guidelines

Follow these grounding guidelines when packaging and transporting equipment:

- To avoid hand contact, transport products in static-safe tubes, bags, or boxes.
- Protect ESD-sensitive parts and assemblies with conductive or approved containers or packaging.
- Keep ESD-sensitive parts in their containers until the parts arrive at static-free workstations.
- Place items on a grounded surface before removing items from their containers.
- Always be properly grounded when touching a component or assembly.
- Store reusable ESD-sensitive parts from assemblies in protective packaging or nonconductive foam.
- Use transporters and conveyors made of antistatic belts and roller bushings. Be sure that mechanized equipment used for moving materials is wired to ground and that proper materials are selected to avoid static charging. When grounding is not possible, use an ionizer to dissipate electric charges.

## Workstation guidelines

Follow these grounding workstation guidelines:

- Cover the workstation with approved static-shielding material.
- Use a wrist strap connected to a properly grounded work surface and use properly grounded tools and equipment.
- Use conductive field service tools, such as cutters, screwdrivers, and vacuums.
- When fixtures must directly contact dissipative surfaces, use fixtures made only of static-safe materials.
- Keep the work area free of nonconductive materials, such as ordinary plastic assembly aids and Styrofoam.
- Handle ESD-sensitive components, parts, and assemblies by the case or PCM laminate. Handle these items only at static-free workstations.
- Avoid contact with pins, leads, or circuitry.
- Turn off power and input signals before inserting or removing connectors or test equipment.

## Equipment guidelines

Grounding equipment must include either a wrist strap or a foot strap at a grounded workstation.

- When seated, wear a wrist strap connected to a grounded system. Wrist straps are flexible straps with a minimum of one megohm  $\pm 10\%$  resistance in the ground cords. To provide proper ground, wear a strap snugly against the skin at all times. On grounded mats with banana-plug connectors, use alligator clips to connect a wrist strap.
- When standing, use foot straps and a grounded floor mat. Foot straps (heel, toe, or boot straps) can be used at standing workstations and are compatible with most types of shoes or boots. On conductive floors or dissipative floor mats, use foot straps on both feet with a minimum of one megohm resistance between the operator and ground. To be effective, the conductive strips must be worn in contact with the skin.

The following grounding equipment is recommended to prevent electrostatic damage:


- Antistatic tapes
- Antistatic smocks, aprons, and sleeve protectors
- Conductive bins and other assembly or soldering aids
- Nonconductive foam
- Conductive tabletop workstations with ground cords of one megohm resistance
- Static-dissipative tables or floor mats with hard ties to the ground
- Field service kits
- Static awareness labels
- Material-handling packages
- Nonconductive plastic bags, tubes, or boxes
- Metal tote boxes
- Electrostatic voltage levels and protective materials


The following table lists the shielding protection provided by antistatic bags and floor mats.

Material	Use	Voltage protection level
Antistatic plastic	Bags	1,500 V
Carbon-loaded plastic	Floor mats	7,500 V
Metallized laminate	Floor mats	5,000 V

---

## 5 Removal and replacement procedures for Customer Self-Repair parts


 **CAUTION:** The Customer Self-Repair program is not available in all locations. Installing a part not supported by the Customer Self-Repair program may void your warranty. Check your warranty to determine if Customer Self-Repair is supported in your location.

 **NOTE:** HP continually improves and changes product parts. For complete and current information on supported parts for your computer, go to <http://partsurfer.hp.com>, select your country or region, and then follow the on-screen instructions.

---

### Component replacement procedures

 **NOTE:** Please read and follow the procedures described here to access and replace Customer Self-Repair parts successfully.

 **NOTE:** Details about your computer, including model, serial number, product key, and length of warranty, are on the service tag at the bottom of your computer. See [Labels on page 15](#) for details.

---

This chapter provides removal and replacement procedures for Customer Self-Repair parts.

There are as many as 13 screws that must be removed, replaced, or loosened when servicing Customer Self-Repair parts. Make special note of each screw size and location during removal and replacement.

### Battery Safe mode

Before removing internal components, you must place the computer in “Battery Safe mode.” This mode avoids short-circuits or system malfunction by removing power from internal components.

To place the computer in “Battery Safe mode,” follow these steps:

1. With the computer turned off and AC adapter connected, press the following key and button combination: **Windows key + Backspace key + Power button.**
2. Turn the computer on to initiate “Battery Safe mode.”
3. After the computer powers off, disconnect the AC adapter.

In “Battery Safe mode,” the power button will not turn the computer on if the AC adapter is not connected.

To disengage “Battery Safe mode,” plug in the AC adapter and press the power button.

## Service doors

Description	Spare part number
Main service door (included in Plastics Kit)	L00835-001
Drive service door (included in Hard Drive Hardware Kit)	L00837-001

The bottom of the computer has two service doors. The hard drive service door provides access to the hard drive and the M.2 solid-state drive. The main service door provides access to the memory modules, wireless module, and keyboard screws.

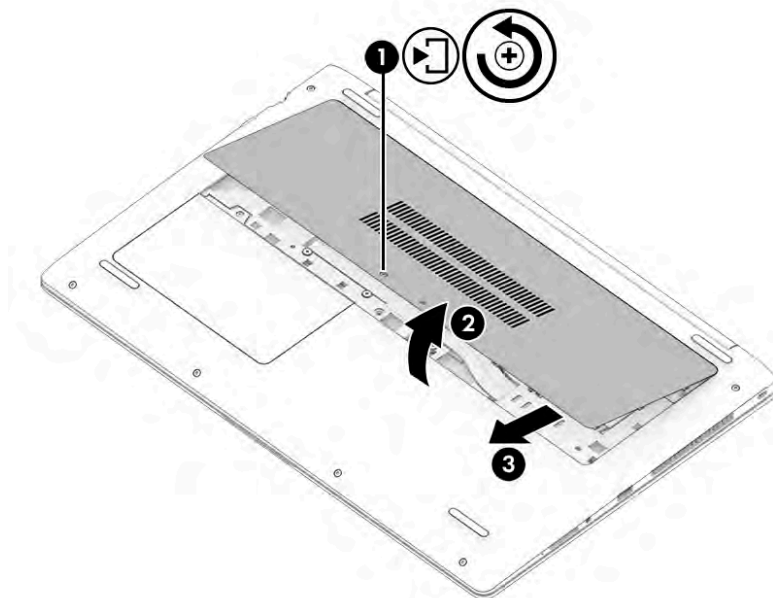
Before removing the service doors, follow these steps:

1. Shut down the computer. If you are unsure whether the computer is off or in Hibernation, turn the computer on, and then shut it down through the operating system.
2. Place the computer in “Battery Safe mode” ([Battery Safe mode on page 30](#)).
3. Disconnect all external devices connected to the computer.
4. Disconnect the power from the computer by first unplugging the power cord from the AC outlet, and then unplugging the AC adapter from the computer.

Remove the service doors:

### Main service door

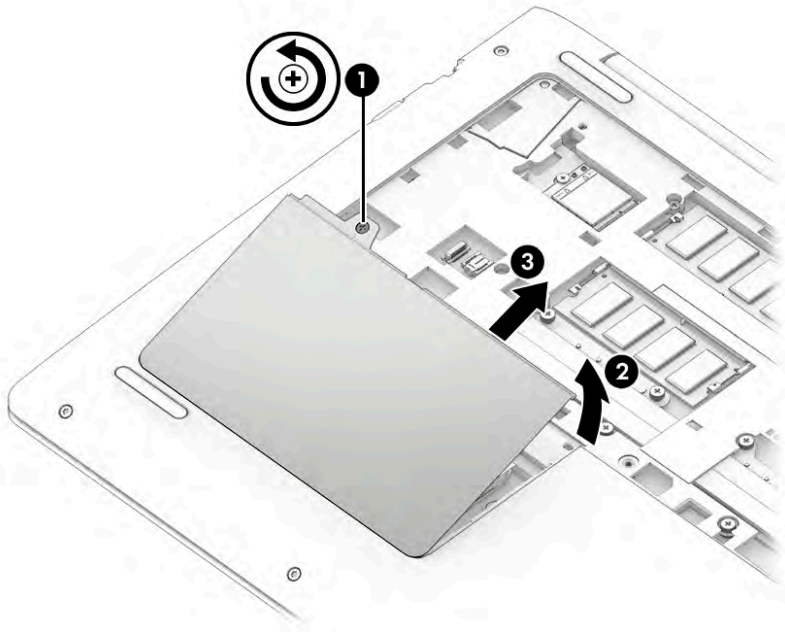
1. Loosen the captive Phillips screw **(1)**.
2. Lift the bottom of the door upward **(2)**, and then remove the door from the computer **(3)**.



### Drive service door

3. Loosen the captive Phillips screw **(1)**.

4. Lift the bottom of the door upward **(2)**, and then remove the door from the computer **(3)**.




Reverse these procedures to install the service doors.

## Memory modules

Description	Spare part number
16-GB (DDR4-2133)	820571-001
8-GB (DDR4-2133)	820570-001
4-GB (DDR4-2133)	820569-001

### Update BIOS before adding memory modules

Before adding new memory, make sure you update the computer to the latest BIOS.

 **CAUTION:** Failure to update the computer to the latest BIOS prior to installing new memory may result in various system problems.

To update BIOS:

1. Navigate to [www.hp.com](http://www.hp.com).
2. Move the cursor over **Support** to display the pull-down menu, and then click **Software & drivers**.
3. Type your product name, number, or serial number, and then click **Find**.
4. Click **BIOS**, and then click **Download**.
5. Follow the on-screen instructions.

Before removing the memory module, follow these steps:


1. Shut down the computer. If you are unsure whether the computer is off or in Hibernation, turn the computer on, and then shut it down through the operating system.
2. Place the computer in “Battery Safe mode” ([Battery Safe mode on page 30](#)).
3. Disconnect all external devices connected to the computer.
4. Disconnect the power from the computer by first unplugging the power cord from the AC outlet, and then unplugging the AC adapter from the computer.
5. Remove the main service door ([Service doors on page 31](#)).

Remove the memory module:

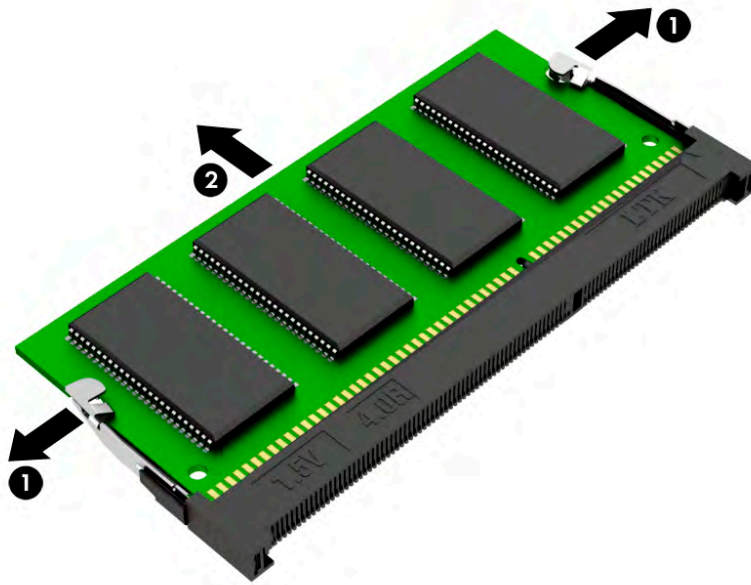
1. Spread the retaining tabs (**1**) on each side of the memory module slot to release the memory module. (The edge of the module opposite the slot rises away from the computer.)

2. Remove the memory module (2) by pulling the module away from the slot at an angle.

---

 **NOTE:** Memory modules are designed with a notch to prevent incorrect insertion into the memory module slot.

---



Reverse this procedure to install a memory module.

## WLAN/Bluetooth combo card

The computer uses a card that provides both WLAN and Bluetooth functionality.

Description	Spare part number
Intel Dual Band Wireless-AC 3168 802.11ac, 1×1 Wi-Fi + Bluetooth 4.0 combination adapter	852511-001
Intel Dual Band Wireless-AC 8265, 802.11ac, 2×2 Wi-Fi + Bluetooth 4.2 combination adapter	851594-001
Realtek RTL8821CE 802.11AC 1×1 Wi-Fi + BT 4.2 Combo Adapter	915621-001
Realtek RTL8822BE 802.11AC 2×2 Wi-Fi + BT 4.2 Combo Adapter	915623-001

Before removing the WLAN module, follow these steps:

1. Shut down the computer. If you are unsure whether the computer is off or in Hibernation, turn the computer on, and then shut it down through the operating system.
2. Place the computer in “Battery Safe mode” ([Battery Safe mode on page 30](#)).
3. Disconnect all external devices connected to the computer.
4. Disconnect the power from the computer by first unplugging the power cord from the AC outlet, and then unplugging the AC adapter from the computer.
5. Remove the main service door ([Service doors on page 31](#)).

Remove the WLAN module:

1. Disconnect the WLAN antenna cables **(1)** from the terminals on the WLAN module.

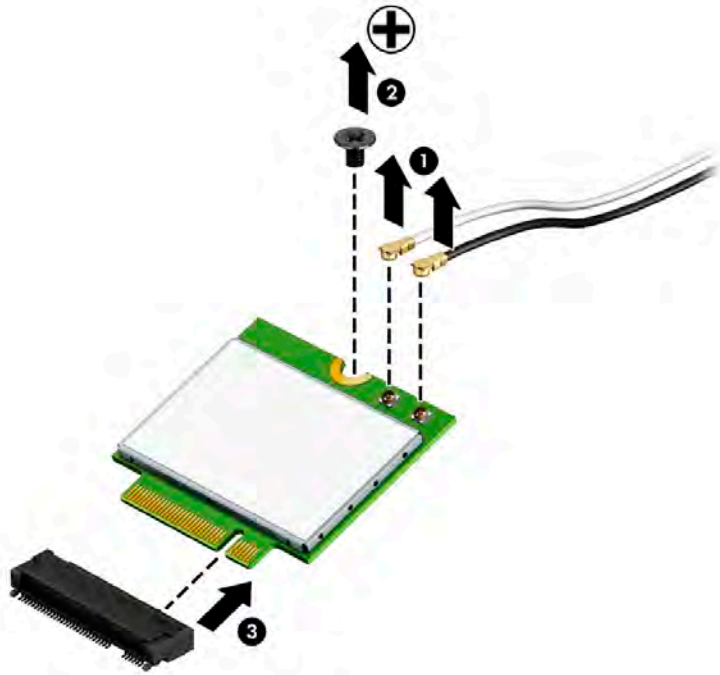



**NOTE:** The WLAN antenna cable labeled “1” connects to the WLAN module “Main” terminal labeled “1”. The WLAN antenna cable labeled “2” connects to the WLAN module “Aux” terminal labeled “2”. If the computer is equipped with an 802.11a/b/g/n WLAN module, the yellow WLAN antenna cable connects to the middle terminal on the WLAN module.

2. Remove the Phillips M2.0×4.0 screw **(2)** that secures the WLAN module to the computer. (The edge of the module opposite the slot rises away from the computer.)

3. Remove the WLAN module **(3)** by pulling the module away from the slot at an angle.

 **NOTE:** WLAN modules are designed with a notch to prevent incorrect insertion.



 **NOTE:** If the WLAN antennas are not connected to the terminals on the WLAN module, the protective sleeves must be installed on the antenna connectors, as shown in the following illustration.



Reverse this procedure to install the WLAN module.

## Hard drive

Description	Spare part number
<b>Hard drives</b>	
1 TB, 5400 rpm, 7 mm	762990-001
500 GB, 5400 rpm, 7 mm, hybrid (8-GB SSD)	732000-001
500 GB, 7200 rpm, 7 mm	778189-001
<b>Hard drive cover</b>	L00837-001

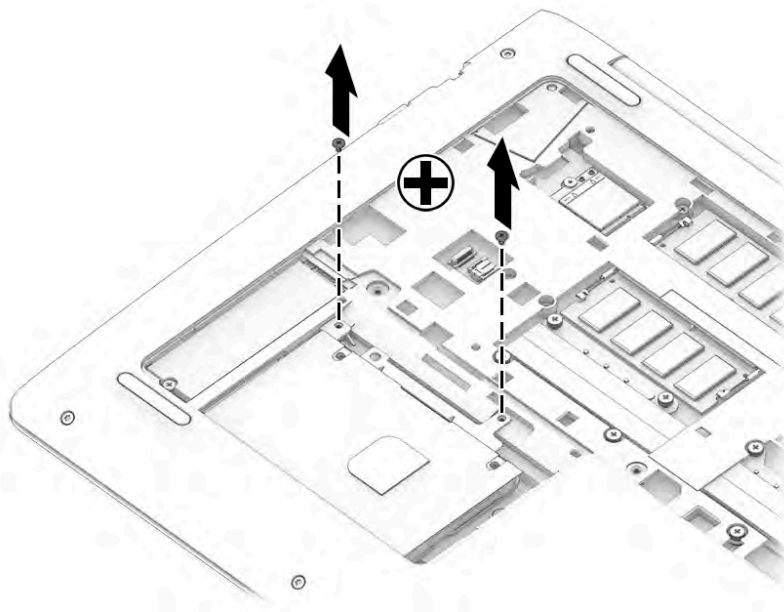
**NOTE:** The hard drive cover is included in the Hard Drive Hardware Kit.

Before removing the hard drive, follow these steps:

1. Shut down the computer. If you are unsure whether the computer is off or in Hibernation, turn the computer on, and then shut it down through the operating system.
2. Place the computer in “Battery Safe mode” ([Battery Safe mode on page 30](#)).
3. Disconnect all external devices connected to the computer.
4. Disconnect the power from the computer by first unplugging the power cord from the AC outlet, and then unplugging the AC adapter from the computer.
5. Remove the main service door ([Service doors on page 31](#)).
6. Remove the drive service door ([Service doors on page 31](#)).

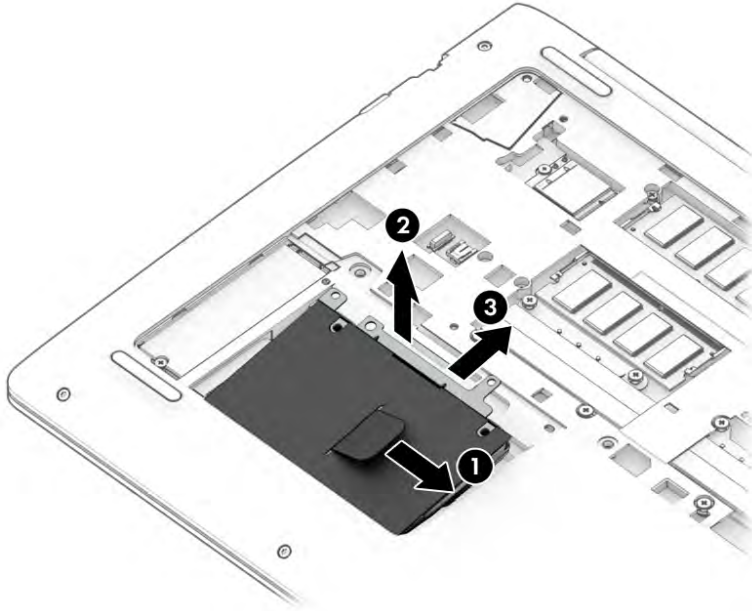
Remove the hard drive:

1. Remove the 2 Phillips M2.0×3.0 screws **(1)** that secure the hard drive to the computer.

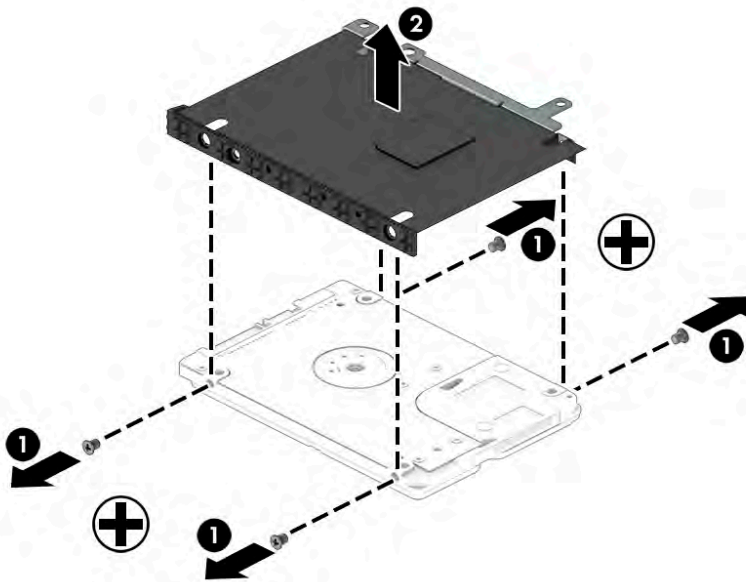


2. Use the tab to pull the drive away from the connector **(1)**.

3. Lift the bracket side of the drive **(2)**, and then remove the drive from the bay **(3)**.



4. To remove the hard drive cover from the hard drive, remove the 4 Phillips M3.0×3.0 screws **(1)** that secure the cover to the drive, and then remove the cover from the drive **(2)**.



Reverse these procedures to install a hard drive.

## M.2 solid-state drive

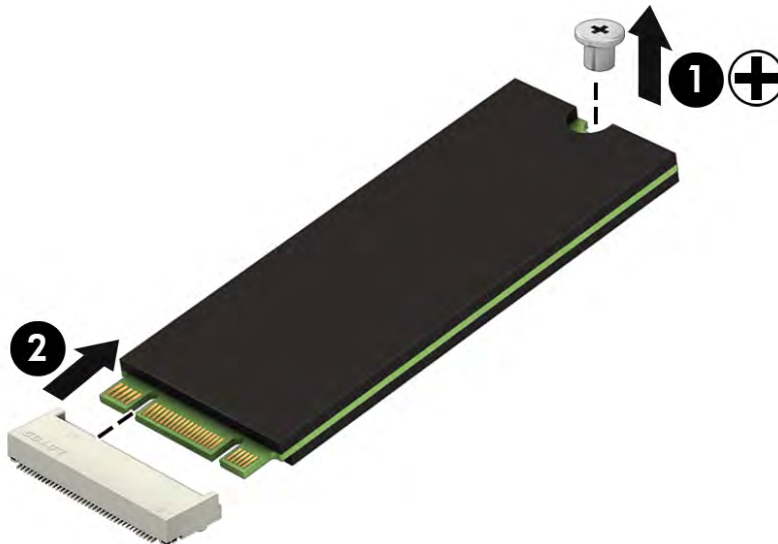
Description	Spare part number
512-GB, Turbo Drive	L00878-001
256-GB, PCIe	L00877-001
128-GB, SATA-3	L00876-001

Before removing the solid-state drive, follow these steps:

1. Shut down the computer. If you are unsure whether the computer is off or in Hibernation, turn the computer on, and then shut it down through the operating system.
2. Place the computer in “Battery Safe mode” ([Battery Safe mode on page 30](#)).
3. Disconnect all external devices connected to the computer.
4. Disconnect the power from the computer by first unplugging the power cord from the AC outlet, and then unplugging the AC adapter from the computer.
5. Remove the main service door ([Service doors on page 31](#)).
6. Remove the drive service door ([Service doors on page 31](#)).

Remove the solid-state drive:

1. Remove the Phillips M2.0×3.0 screw **(1)** that secures the solid-state drive to the computer. (The edge of the module opposite the slot rises away from the computer.)
2. Remove the solid-state drive **(2)** by pulling the module away from the slot at an angle.



Reverse this procedure to install the solid-state drive.

## Keyboard

In this section, the first table provides the main spare part number for the keyboards. The second table provides the country codes.

Description	Spare part number
Keyboard, no backlight	L01028-xxx
Keyboard, backlit	L01027-xxx

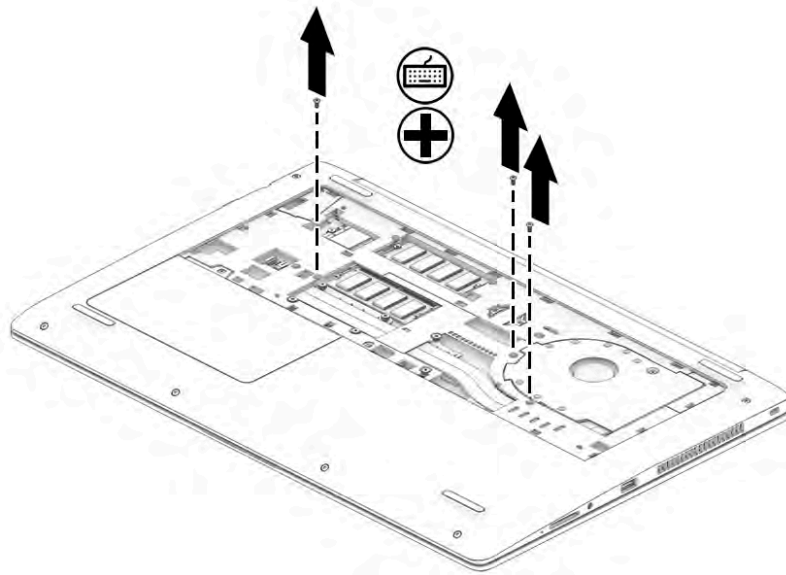
For use in country or region	Spare part number	For use in country or region	Spare part number	For use in country or region	Spare part number
Belgium	-A41	India	-D61	Slovenia	-BA1
Brazil	-201	Israel	-BB1	South Korea	-AD1
Bulgaria	-261	Italy	-061	Spain	-071
Canada	-DB1	Japan	-291	Switzerland	-BG1
Czech Republic and Slovakia	-FL1	Latin America	-161	Taiwan	-AB1
Denmark, Finland, and Norway	-DH1	The Netherlands	-B31	Thailand	-281
France	-051	Northern Africa	-FP1	Turkey	-141
Germany	-041	Portugal	-131	Ukraine	-BD1
Greece	-151	Russia	-251	United Kingdom	-031
Hungary	-211	Saudi Arabia	-171	United States	-001
Iceland	-DD1				

Before removing the keyboard, follow these steps:

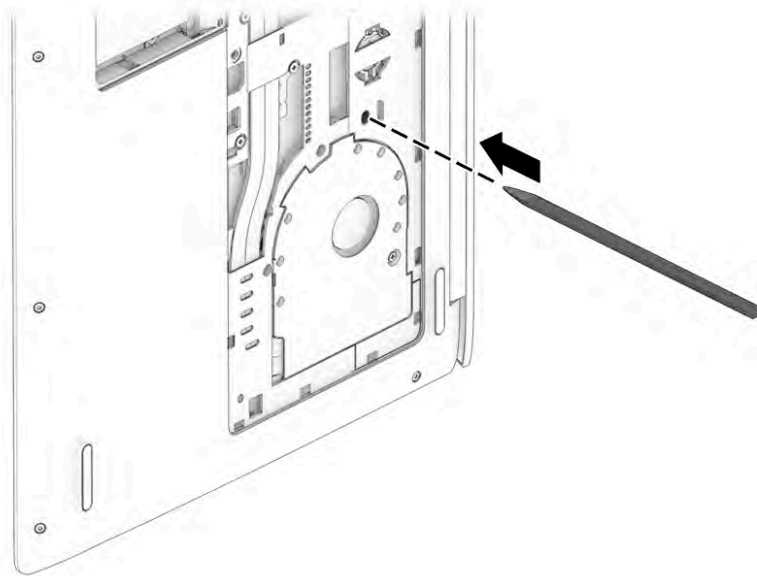
1. Shut down the computer. If you are unsure whether the computer is off or in Hibernation, turn the computer on, and then shut it down through the operating system.
2. Place the computer in “Battery Safe mode” ([Battery Safe mode on page 30](#)).
3. Disconnect all external devices connected to the computer.
4. Disconnect the power from the computer by first unplugging the power cord from the AC outlet, and then unplugging the AC adapter from the computer.
5. Remove the main service door ([Service doors on page 31](#)).

Remove the keyboard:


1. Remove the 3 Phillips M2.5×5.0 screws that secure the keyboard to the computer.



2. Position the computer on its side with the display open. On the bottom of the computer, insert a tool into the access hole near the fan, and then push to disengage the keyboard from the top cover.

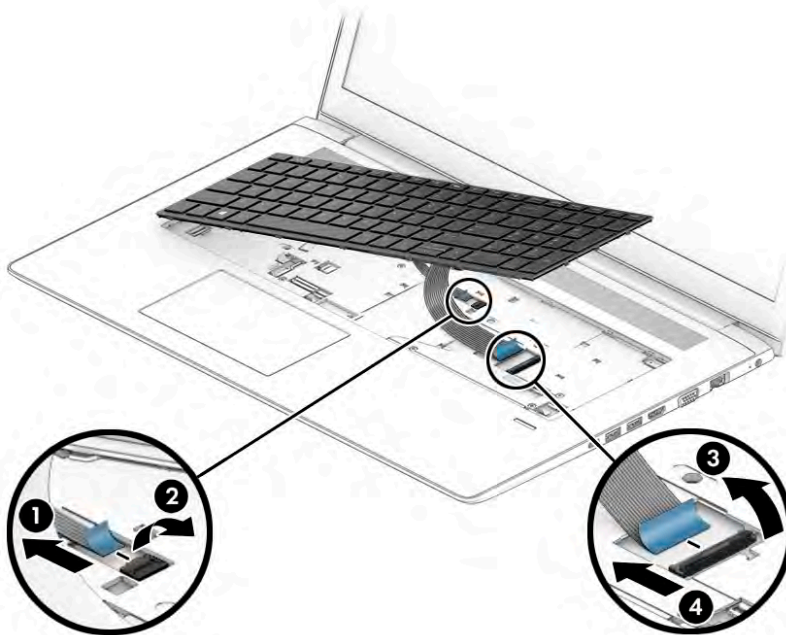


3. Lift the top of the keyboard upward **(1)**, and then rotate the keyboard **(2)** so you can access the cables and connectors underneath.

 **NOTE:** A cable (or cables) connect the bottom of the keyboard to the system board. Make sure not to prematurely pull the cables out of the system board connector(s).



4. If applicable, disconnect the backlight cable by lifting the ZIF connector latch **(1)**, and then disconnecting the cable from the system board connector **(2)**.
5. Disconnect the keyboard cable by lifting the reverse ZIF connector latch **(3)**, and then disconnect the keyboard cable from the system board **(4)**.
6. Remove the keyboard.




Reverse this procedure to install the keyboard.

---

## 6 Removal and replacement procedures for Authorized Service Provider parts

---


 **CAUTION:** Components described in this chapter should only be accessed by an authorized service provider. Accessing these parts can damage the computer or void the warranty.

 **NOTE:** HP continually improves and changes product parts. For complete and current information on supported parts for your computer, go to <http://partsurfer.hp.com>, select your country or region, and then follow the on-screen instructions.

---

### Component replacement procedures

---

 **NOTE:** Details about your computer, including model, serial number, product key, and length of warranty, are on the service tag at the bottom of your computer. See [Labels on page 15](#) for details.

---

This chapter provides removal and replacement procedures for Authorized Service Provider only parts.

There are as many as 62 screws that must be removed, replaced, or loosened when servicing Authorized Service Provider only parts. Make special note of each screw size and location during removal and replacement.

## Top cover

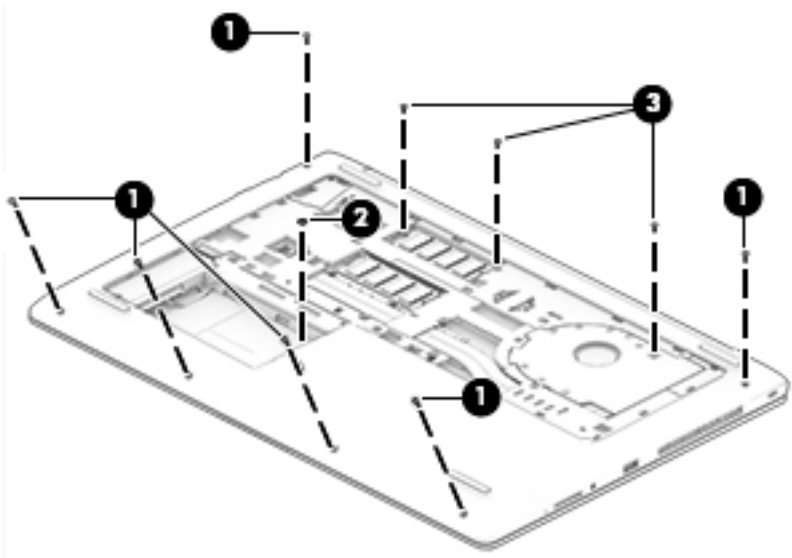
Description	Spare part number
Top cover	L00845-001

Before removing the top cover, follow these steps:

1. Shut down the computer. If you are unsure whether the computer is off or in Hibernation, turn the computer on, and then shut it down through the operating system.
2. Place the computer in “Battery Safe mode” ([Battery Safe mode on page 30](#)).
3. Disconnect all external devices connected to the computer.
4. Disconnect the power from the computer by first unplugging the power cord from the AC outlet, and then unplugging the AC adapter from the computer.
5. Remove the following components:
  - a. Service doors ([Service doors on page 31](#)).
  - b. Hard drive ([Hard drive on page 37](#))
  - c. Keyboard ([Keyboard on page 40](#))

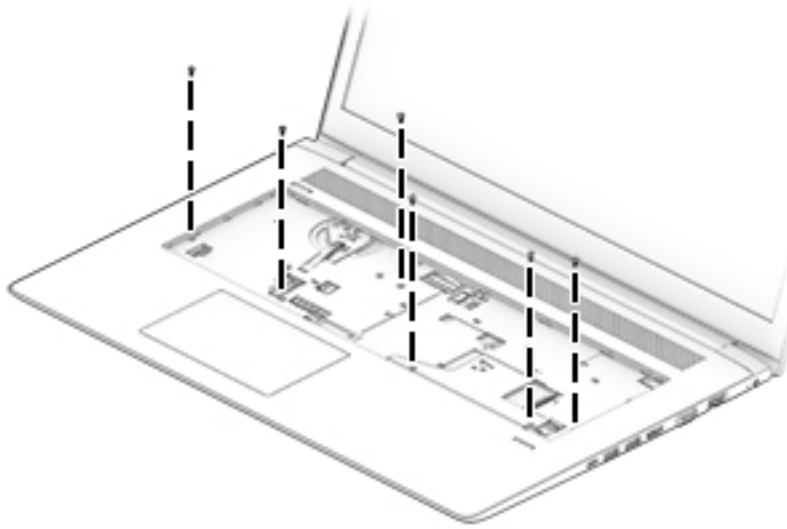
Remove the top cover:

1. Position the computer upside-down with the front toward you.
2. Remove the 6 Torx T8 2.5×7.0 screws **(1)** from around the edges of the computer.
3. Remove the Phillips broad head M2.0×2.0 screw **(2)** from the hard drive bay.
4. Remove the 3 Torx T8 2.5×5.0 screws **(3)** from the top of the computer.



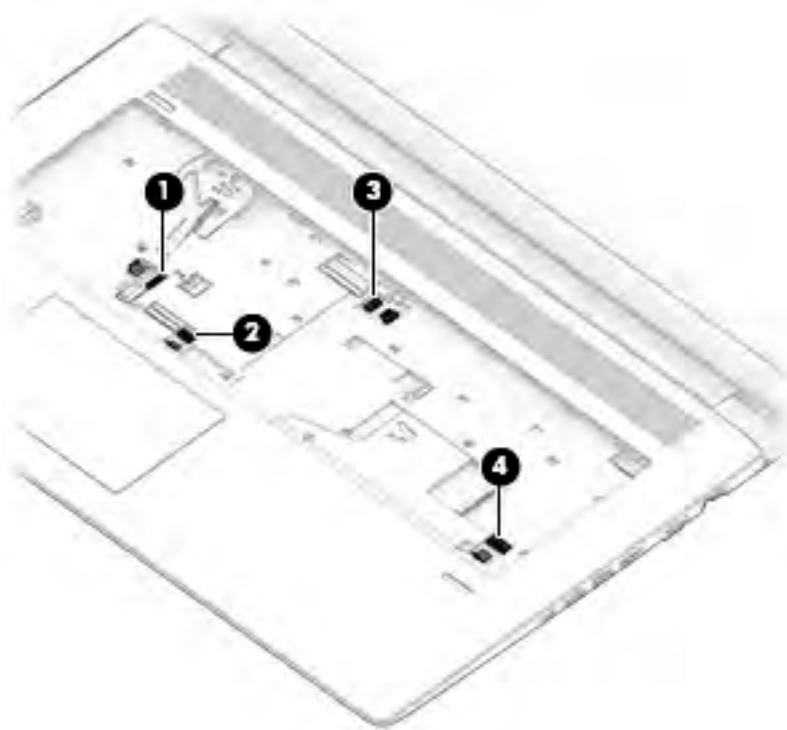
5. Position the computer upright and open it as far as possible.

6. Remove the 6 Torx T8 2.5×5.0 screws from under the keyboard.



7. Disconnect the following cables from the system board:

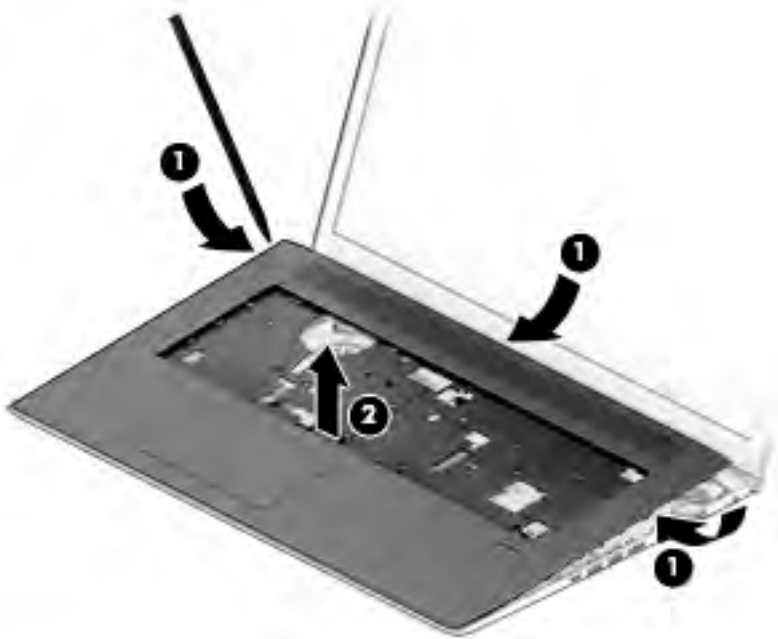
- (1) Power button board cable
- (2) TouchPad cable
- (3) Speaker cable
- (4) Fingerprint reader cable



8. To remove the top cover, start prying upward along the top and sides of the top cover **(1)**, and then remove the top cover from the computer **(2)**.

---

 **NOTE:** The top cover may be secured very tightly to the computer.



Reverse this procedure to install the top cover.

## Fingerprint reader assembly

Description	Spare part number
Fingerprint reader assembly (includes cable)	L00852-001
Fingerprint reader bracket (included in Bracket Kit)	L01746-001
Fingerprint reader insert (included in Plastics Kit; for use in models without a fingerprint reader)	L00835-001

Before removing the fingerprint reader assembly, follow these steps:

1. Shut down the computer. If you are unsure whether the computer is off or in Hibernation, turn the computer on, and then shut it down through the operating system.
2. Place the computer in “Battery Safe mode” ([Battery Safe mode on page 30](#)).
3. Disconnect all external devices connected to the computer.
4. Disconnect the power from the computer by first unplugging the power cord from the AC outlet, and then unplugging the AC adapter from the computer.
5. Remove the following components:
  - a. Service doors ([Service doors on page 31](#)).
  - b. Hard drive ([Hard drive on page 37](#))
  - c. Keyboard ([Keyboard on page 40](#))
  - d. Top cover ([Top cover on page 44](#))

Remove the fingerprint reader assembly:

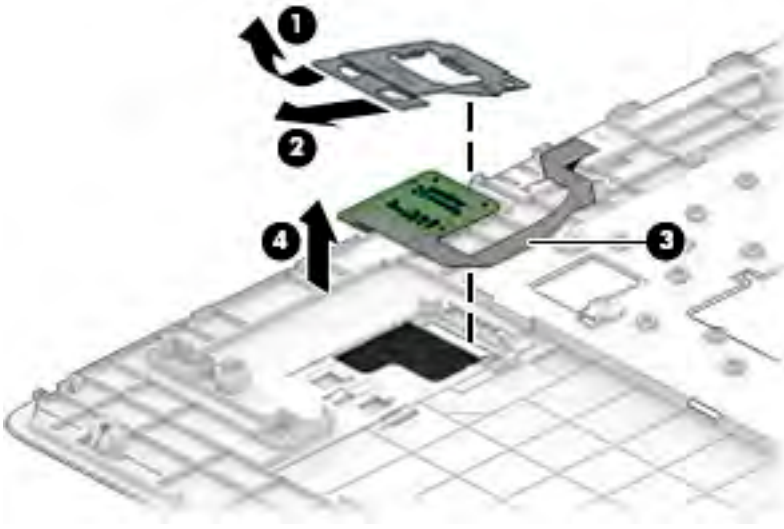
1. Position the top cover upside-down.
2. Slide the bracket toward the bottom of the top cover **(1)**, and then lift the bracket off the fingerprint reader board **(2)**.

---

 **TIP:** A tool may be required to push and disengage the bracket.

---

3. Lift the fingerprint reader cable and board to disengage the adhesive that secures them to the top cover (3), and then remove the board and cable assembly from the top cover (4).



Reverse this procedure to install the fingerprint reader assembly.

## Power button board

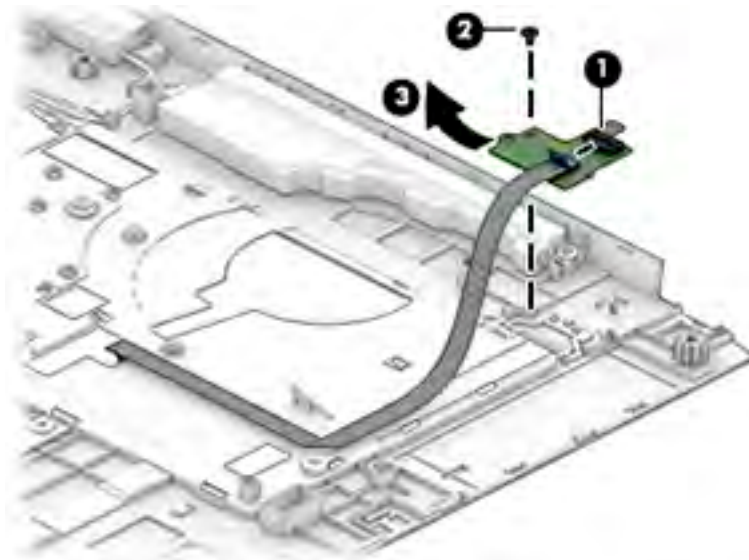
Description	Spare part number
Power button board	L01026-001
Power button board cable (included in Cable Kit)	L00848-001

Before removing the power button board, follow these steps:

1. Shut down the computer. If you are unsure whether the computer is off or in Hibernation, turn the computer on, and then shut it down through the operating system.
2. Place the computer in “Battery Safe mode” ([Battery Safe mode on page 30](#)).
3. Disconnect all external devices connected to the computer.
4. Disconnect the power from the computer by first unplugging the power cord from the AC outlet, and then unplugging the AC adapter from the computer.
5. Remove the following components:
  - a. Service doors ([Service doors on page 31](#))
  - b. Hard drive ([Hard drive on page 37](#))
  - c. Keyboard ([Keyboard on page 40](#))
  - d. Top cover ([Top cover on page 44](#))

Remove the power button board:

1. Position the top cover upside-down.
2. Disconnect the cable from the connector on the board **(1)**.
3. Remove the Phillips M2.0×3.0 screw **(2)** that secures the board to the top cover.
4. Lift the left side of the board, and then pull the board to the left **(3)** to remove it from the top cover.



Reverse this procedure to install the power button board.

## Speaker assembly

Description	Spare part number
Speaker assembly	L00839-001


Before removing the speaker assembly, follow these steps:

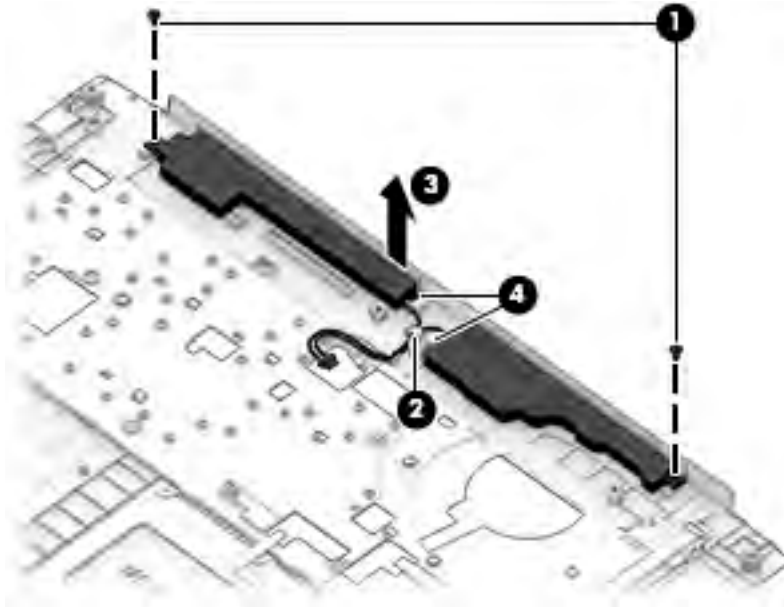
1. Shut down the computer. If you are unsure whether the computer is off or in Hibernation, turn the computer on, and then shut it down through the operating system.
2. Place the computer in “Battery Safe mode” ([Battery Safe mode on page 30](#)).
3. Disconnect all external devices connected to the computer.
4. Disconnect the power from the computer by first unplugging the power cord from the AC outlet, and then unplugging the AC adapter from the computer.
5. Remove the following components:
  - a. Service doors ([Service doors on page 31](#)).
  - b. Hard drive ([Hard drive on page 37](#))
  - c. Keyboard ([Keyboard on page 40](#))
  - d. Top cover ([Top cover on page 44](#))

Remove the speaker assembly:

1. Position the top cover upside-down.
2. Remove the 2 Phillips M2.0×6.0 screws **(1)** that secure the speaker assembly to the top cover.
3. Remove the cable from the clips in the top cover **(2)**.

4. Remove the speakers from the top cover (3).

 **IMPORTANT:** When removing the speakers, make sure the rubber feet (4) remain attached to the speakers.



Reverse this procedure to install the speaker assembly.

## TouchPad assembly

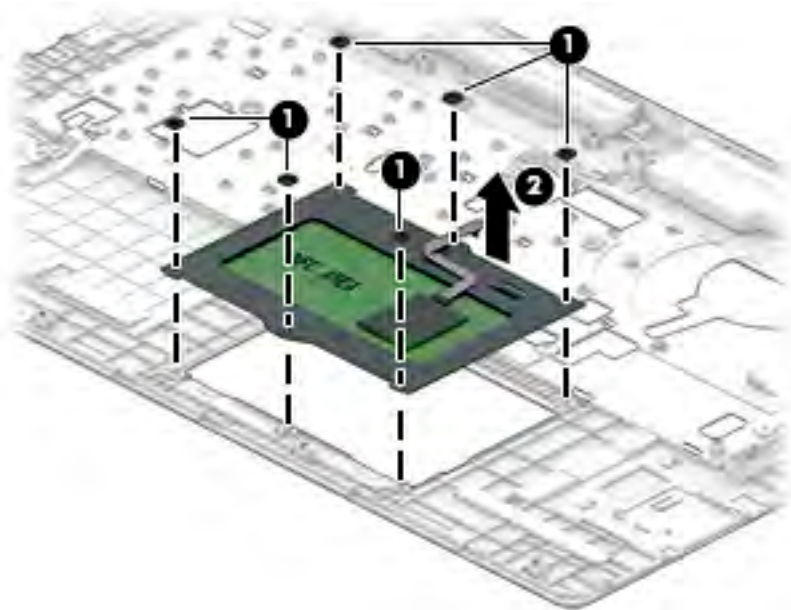
Description	Spare part number
TouchPad assembly	L00846-001
TouchPad assembly cable (included in Cable Kit)	L00848-001

Before removing the TouchPad assembly, follow these steps:

1. Shut down the computer. If you are unsure whether the computer is off or in Hibernation, turn the computer on, and then shut it down through the operating system.
2. Place the computer in “Battery Safe mode” ([Battery Safe mode on page 30](#)).
3. Disconnect all external devices connected to the computer.
4. Disconnect the power from the computer by first unplugging the power cord from the AC outlet, and then unplugging the AC adapter from the computer.
5. Remove the following components:
  - a. Service doors ([Service doors on page 31](#)).
  - b. Hard drive ([Hard drive on page 37](#))
  - c. Keyboard ([Keyboard on page 40](#))
  - d. Top cover ([Top cover on page 44](#))

Remove the TouchPad assembly:

1. Position the top cover upside-down.
2. Remove the 6 broad head Phillips M2.0×2.0 screws (1) that secure the TouchPad to the top cover.
3. Lift the TouchPad off the top cover (2).



Reverse this procedure to install the TouchPad assembly.

## USB board

Description	Spare part number
USB board	L00831-001
USB board cable (included in Cable Kit)	L00848-001

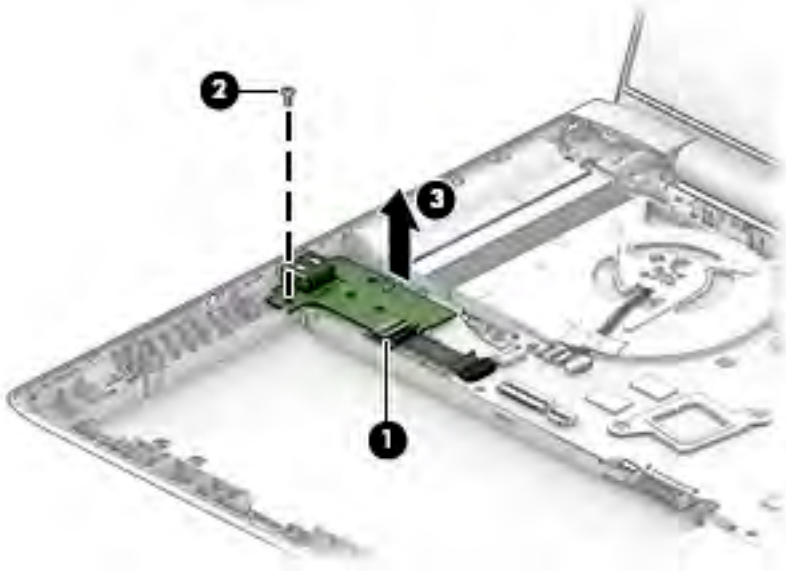
Before removing the USB board, follow these steps:

1. Shut down the computer. If you are unsure whether the computer is off or in Hibernation, turn the computer on, and then shut it down through the operating system.
2. Place the computer in “Battery Safe mode” ([Battery Safe mode on page 30](#)).
3. Disconnect all external devices connected to the computer.
4. Disconnect the power from the computer by first unplugging the power cord from the AC outlet, and then unplugging the AC adapter from the computer.
5. Remove the following components:
  - a. Service doors ([Service doors on page 31](#)).
  - b. Hard drive ([Hard drive on page 37](#))
  - c. Keyboard ([Keyboard on page 40](#))
  - d. Top cover ([Top cover on page 44](#))
  - e. Card reader board ([Card reader board on page 57](#))
  - f. Battery ([Battery on page 58](#))

Remove the USB board:

1. Position the computer upright on a flat surface and open the display as far as possible.
2. Disconnect the cable from the ZIF connector on the USB board **(1)**.
3. Remove the Torx T8 2.5×5.0 screw **(2)** that secures the board to the computer.

4. Remove the USB board from the computer **(3)**.



Reverse this procedure to install the USB board.

## Fan

Description	Spare part number
Fan	L00843-001



**NOTE:** To properly ventilate the computer, allow at least **7.6 cm** (3.0 in) of clearance on the sides of the computer. The computer uses an electric fan for ventilation. The fan is controlled by a temperature sensor and is designed to turn on automatically when high temperature conditions exist. These conditions are affected by high external temperatures, system power consumption, power management/battery conservation configurations, battery fast charging, and software requirements. Exhaust air is displaced through the ventilation grill.

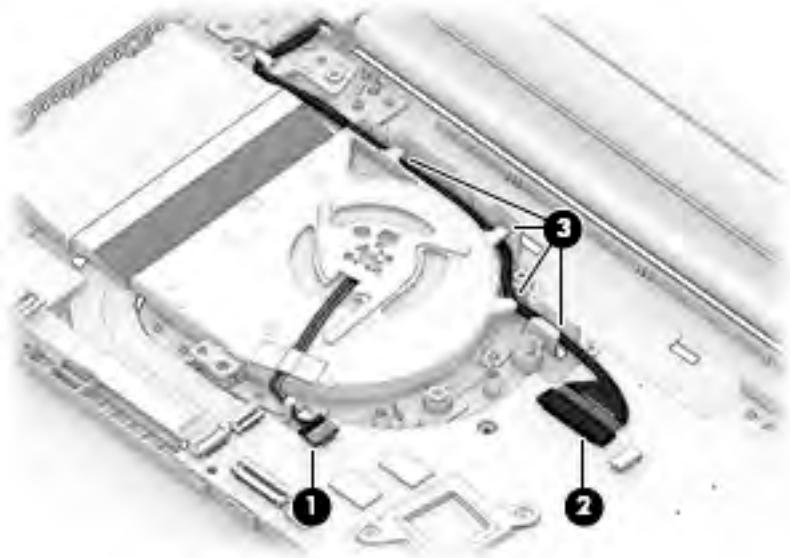
Before removing the fan, follow these steps:

1. Shut down the computer. If you are unsure whether the computer is off or in Hibernation, turn the computer on, and then shut it down through the operating system.
2. Place the computer in “Battery Safe mode” ([Battery Safe mode on page 30](#)).
3. Disconnect all external devices connected to the computer.
4. Disconnect the power from the computer by first unplugging the power cord from the AC outlet and then unplugging the AC adapter from the computer.
5. Remove the battery ([Battery on page 58](#)), and then remove the following components:
  - a. Service doors ([Service doors on page 31](#)).
  - b. Hard drive ([Hard drive on page 37](#))
  - c. Keyboard ([Keyboard on page 40](#))
  - d. Top cover ([Top cover on page 44](#))

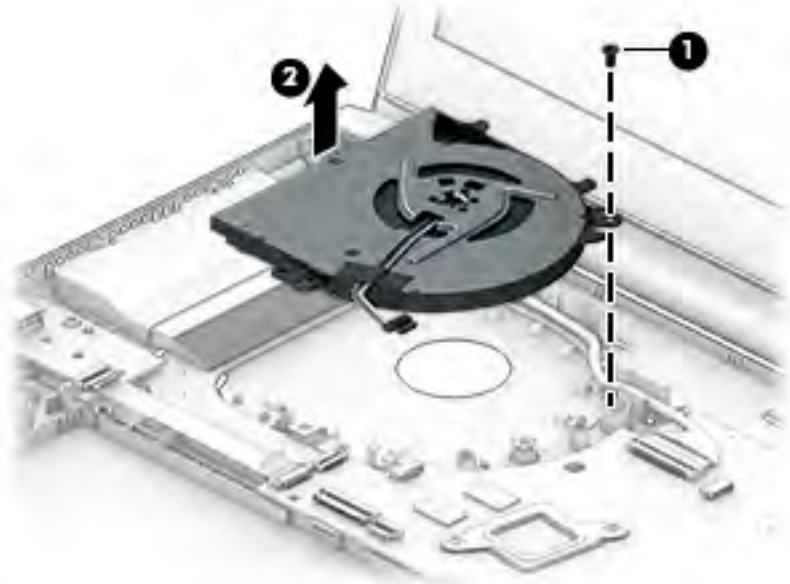
To remove the fan:


1. Position the computer upright on a flat surface and open the display as far as possible.
2. Disconnect the fan cable **(1)** from the system board.

3. Disconnect the display cable (2), and then remove the display cable from the clips in the fan (3).



4. Remove the Torx T8 2.5×5.0 screw (1) that secures the fan to the computer.
5. Lift the fan out of the computer (2).



 **NOTE:** The fan bracket is available using spare part number L01029-001.

Reverse this procedure to install the fan.

## Card reader board

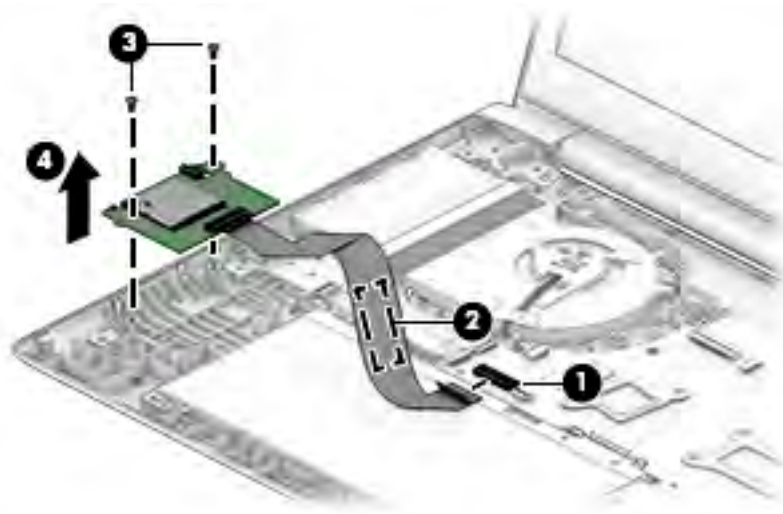
Description	Spare part number
Card reader board assembly	L00833-001
Card reader board cable (included in Cable Kit)	L00848-001

Before removing the card reader board, follow these steps:

1. Shut down the computer. If you are unsure whether the computer is off or in Hibernation, turn the computer on, and then shut it down through the operating system.
2. Place the computer in “Battery Safe mode” ([Battery Safe mode on page 30](#)).
3. Disconnect all external devices connected to the computer.
4. Disconnect the power from the computer by first unplugging the power cord from the AC outlet, and then unplugging the AC adapter from the computer.
5. Remove the following components:
  - a. Service doors ([Service doors on page 31](#))
  - b. Hard drive ([Hard drive on page 37](#))
  - c. Keyboard ([Keyboard on page 40](#))
  - d. Top cover ([Top cover on page 44](#))

Remove the card reader board:

1. Position the computer upright on a flat surface and open the display as far as possible.
2. Disconnect the cable from the system board ZIF connector **(1)**.
3. Lift the cable to disengage the adhesive **(2)** that secures it to the battery.
4. Remove the two Torx T8 2.5×4.0 screws **(3)** that secure the card reader board to the computer.
5. Lift the board out of the computer **(4)**.



Reverse this procedure to install the card reader board.

## Battery

Description	Spare part number
Battery, 4-cell, 48 WHr, 4.21 Ah	851610-855

Before removing the battery, follow these steps:

1. Shut down the computer. If you are unsure whether the computer is off or in Hibernation, turn the computer on, and then shut it down through the operating system.
2. Place the computer in “Battery Safe mode” ([Battery Safe mode on page 30](#)).
3. Disconnect all external devices connected to the computer.
4. Disconnect the power from the computer by first unplugging the power cord from the AC outlet, and then unplugging the AC adapter from the computer.
5. Remove the following components:
  - a. Service doors ([Service doors on page 31](#)).
  - b. Hard drive ([Hard drive on page 37](#))
  - c. Keyboard ([Keyboard on page 40](#))
  - d. Top cover ([Top cover on page 44](#))

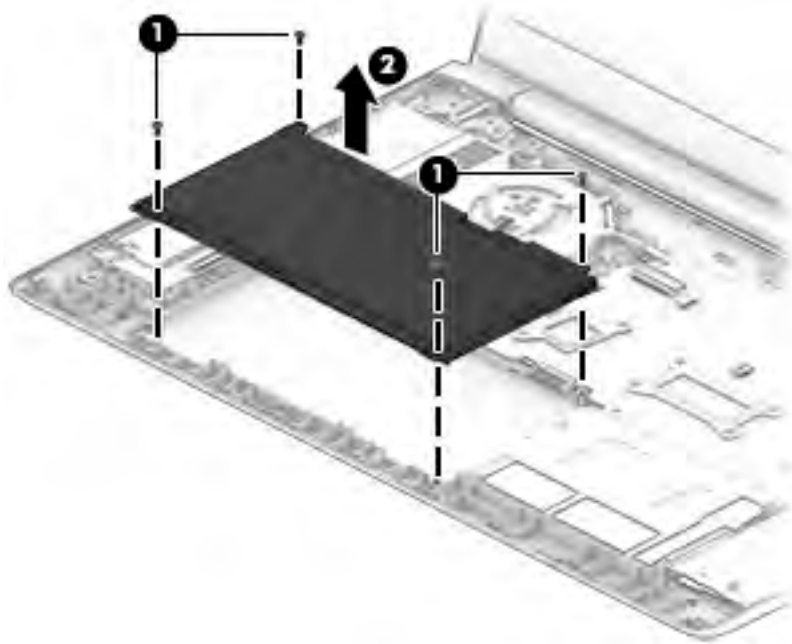
To remove the battery:

1. Position the computer upright on a flat surface and open the display as far as possible.
2. Disconnect the card reader cable from the system board **(1)**, and then lift the cable to disengage the adhesive **(2)** that secures it to the battery.



3. Remove the 4 Torx T8 2.5×5.0 screws **(1)** that secure the battery to the computer.

4. Lift the battery out of the computer (2).



Reverse this procedure to install the battery.

## System board



**NOTE:** All system board spare part kits include replacement thermal material.

All system boards use the following part numbers:

xxxxxx-001: Non-Windows operating systems

xxxxxx-601: Windows 10 operating system

Description	Spare part number
<b>System board with processor and 2 GB of discrete graphics:</b>	
Intel Core i7-8550U processor	L00825-xxx
Intel Core i5-8250U processor	L00824-xxx
Intel Core i3-7100U processor	L00823-xxx

Before removing the system board, follow these steps:

1. Shut down the computer. If you are unsure whether the computer is off or in Hibernation, turn the computer on, and then shut it down through the operating system.
2. Place the computer in “Battery Safe mode” ([Battery Safe mode on page 30](#)).
3. Disconnect all external devices connected to the computer.
4. Disconnect the power from the computer by first unplugging the power cord from the AC outlet, and then unplugging the AC adapter from the computer.
5. Remove the following components:
  - a. Service doors ([Service doors on page 31](#)).
  - b. Hard drive ([Hard drive on page 37](#))
  - c. Keyboard ([Keyboard on page 40](#))
  - d. Top cover ([Top cover on page 44](#))
  - e. Card reader board ([Card reader board on page 57](#))
  - f. Battery ([Battery on page 58](#))

When replacing the system board, be sure to remove the following components (as applicable) from the defective system board and install on the replacement system board:

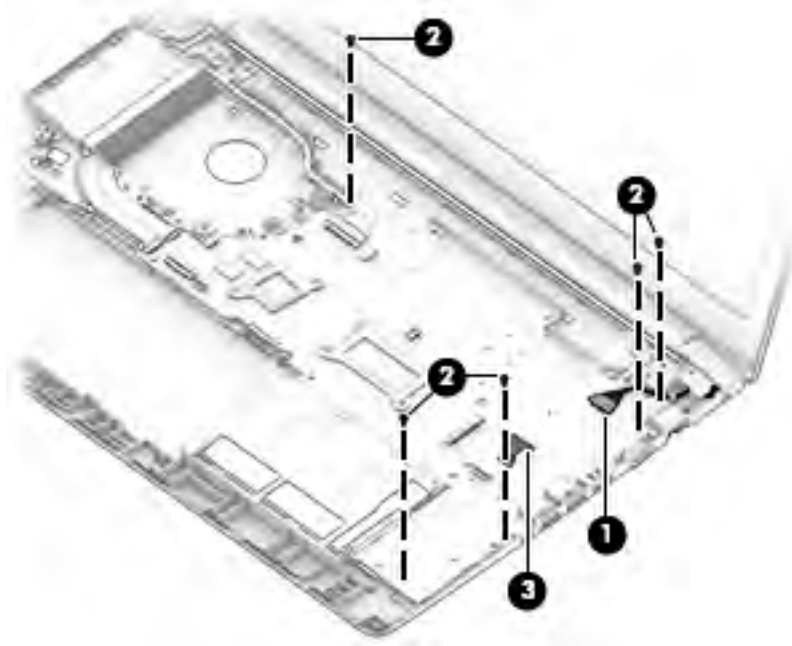
- Memory modules ([Memory modules on page 33](#))
- WLAN/Bluetooth module ([WLAN/Bluetooth combo card on page 35](#))
- M.2 solid-state drive ([M.2 solid-state drive on page 39](#))

Remove the system board:

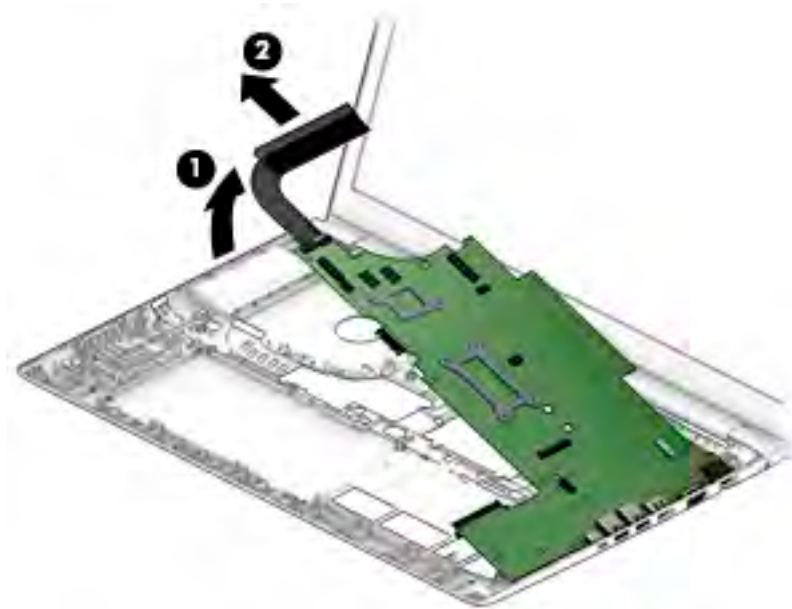
1. Position the computer upright on a flat surface and open the display as far as possible.
2. Disconnect the power cable from the system board **(1)**.
3. Remove the 5 Torx T8 2.5×4.0 screws **(2)** that secure the system board to the computer.

4. Lift the bracket from atop the USB-Type C port **(3)**.

The USB bracket is available using spare part number L01746-001.



5. Rotate the left side of the system board upward **(1)**.
6. Pull the system board away from the connectors on the side of the chassis to remove it from the computer **(2)**.



Reverse this procedure to install the system board.

## Heat sink

All heat sink spare part kits include replacement thermal material.

Description	Spare part number
Heat sink	L00842-001

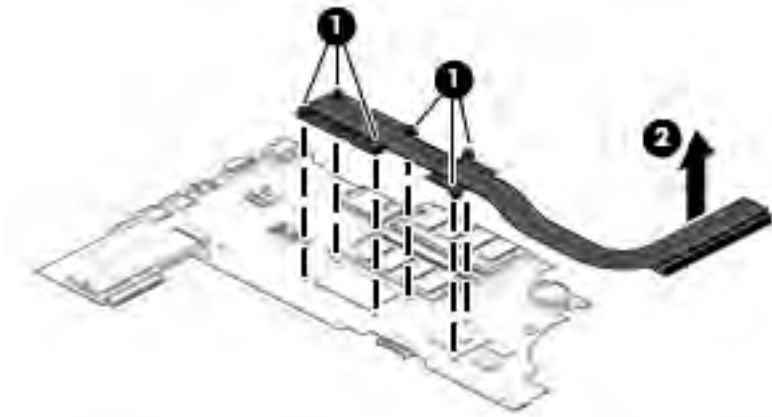
Before removing the heat sink, follow these steps:


1. Shut down the computer. If you are unsure whether the computer is off or in Hibernation, turn the computer on, and then shut it down through the operating system.
2. Place the computer in “Battery Safe mode” ([Battery Safe mode on page 30](#)).
3. Disconnect all external devices connected to the computer.
4. Disconnect the power from the computer by first unplugging the power cord from the AC outlet, and then unplugging the AC adapter from the computer.
5. Remove the following components:
  - a. Service doors ([Service doors on page 31](#)).
  - b. Hard drive ([Hard drive on page 37](#))
  - c. Keyboard ([Keyboard on page 40](#))
  - d. Top cover ([Top cover on page 44](#))
  - e. Card reader board ([Card reader board on page 57](#))
  - f. Battery ([Battery on page 58](#))
  - g. System board ([System board on page 60](#))

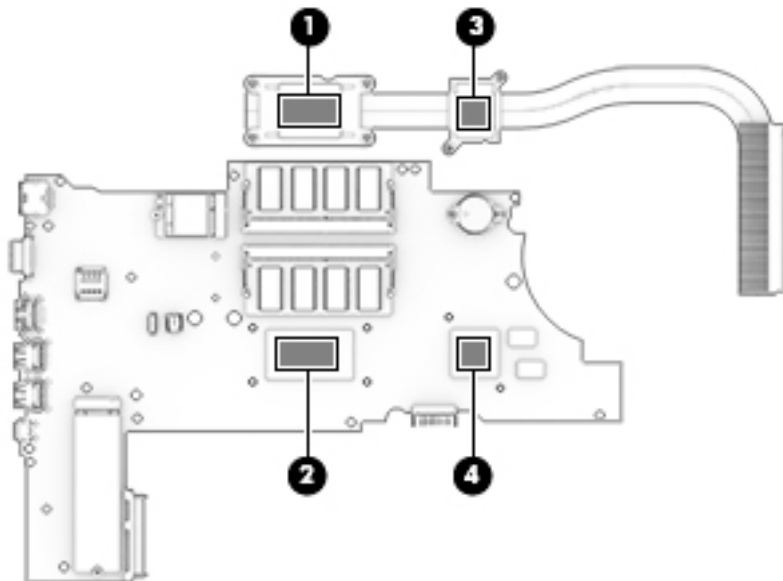
Remove the heat sink:

1. Position the system board upside-down.
2. In the order indicated on the heat sink, loosen the 6 captive Phillips screws **(1)** that secure the heat sink to the system board.

3. Lift the heat sink from the system board (2).



 **NOTE:** Thoroughly clean thermal material from the surfaces of the heat sink (1)(3) and the system board components (2)(4) each time you remove the heat sink. All heat sink and processor spare part kits include thermal material.



Reverse this procedure to install the heat sink.

## RTC battery

Description	Spare part number
RTC battery	746439-001

Before removing the RTC battery, follow these steps:

1. Shut down the computer. If you are unsure whether the computer is off or in Hibernation, turn the computer on, and then shut it down through the operating system.
2. Place the computer in “Battery Safe mode” ([Battery Safe mode on page 30](#)).
3. Disconnect all external devices connected to the computer.
4. Disconnect the power from the computer by first unplugging the power cord from the AC outlet, and then unplugging the AC adapter from the computer.
5. Remove the following components:
  - a. Service doors ([Service doors on page 31](#)).
  - b. Hard drive ([Hard drive on page 37](#))
  - c. Keyboard ([Keyboard on page 40](#))
  - d. Top cover ([Top cover on page 44](#))
  - e. Card reader board ([Card reader board on page 57](#))
  - f. Battery ([Battery on page 58](#))
  - g. System board ([System board on page 60](#))

Remove the RTC battery:

1. Position the system board upside down.
2. Use a tool to pry the battery out of the socket.



Reverse this procedure to install the RTC battery.

## Display assembly – non-touch

Non-touch displays are spared only at the subcomponent level. Non-touch assemblies are not spared as whole units.

Before disassembling the display assembly, follow these steps:

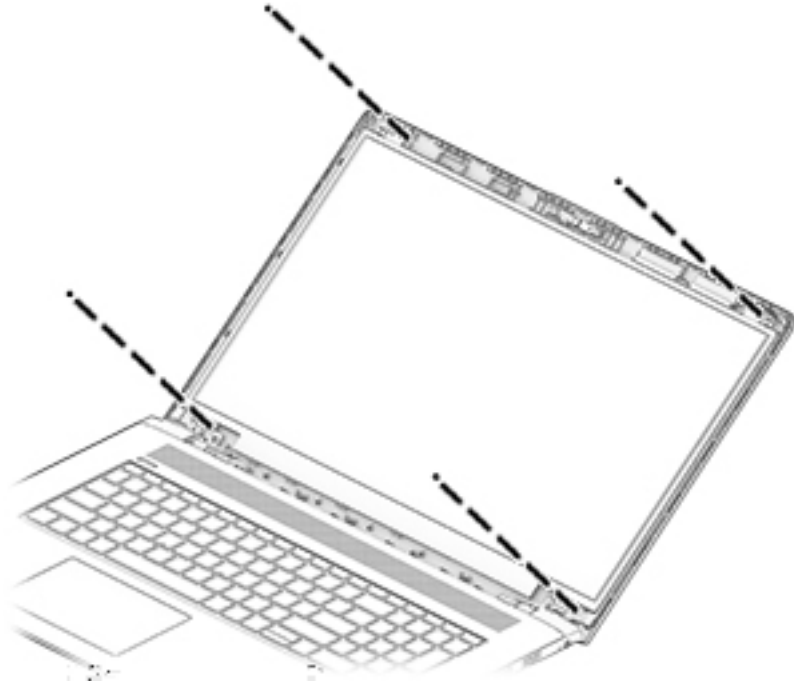
1. Shut down the computer. If you are unsure whether the computer is off or in Hibernation, turn the computer on, and then shut it down through the operating system.
2. Place the computer in “Battery Safe mode” ([Battery Safe mode on page 30](#)).
3. Disconnect all external devices connected to the computer.
4. Disconnect the power from the computer by first unplugging the power cord from the AC outlet, and then unplugging the AC adapter from the computer.
5. Remove the following components:
  - a. Service doors ([Service doors on page 31](#)).
  - b. Hard drive ([Hard drive on page 37](#))
  - c. Keyboard ([Keyboard on page 40](#))
  - d. Top cover ([Top cover on page 44](#))

Disassemble the display assembly:

1. Position the computer upright on a flat surface and open the display as far as possible.
2. Flex the top **(1)** of the bezel, the inside edges of the left and right sides **(2)**, and then the bottom **(3)** of the bezel until it disengages from the display enclosure.
3. Remove the display bezel **(4)**.



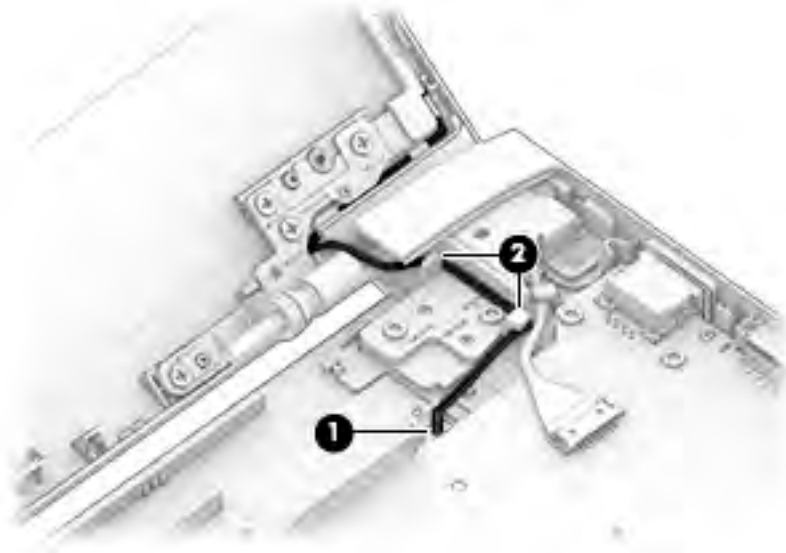
4. If it is necessary to remove or replace the display panel, remove the 4 Phillips M2.0×3.0 screws that secure the display panel to the enclosure.



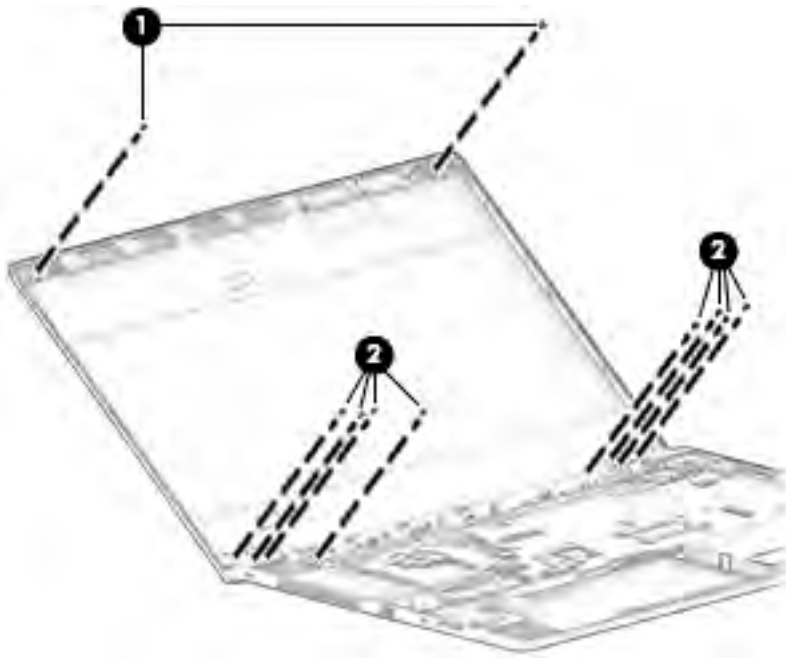
5. Rotate the display panel onto the keyboard (1) to gain access to the display cable connector on the back of the panel.
6. Lift the tape from atop the connector on the display panel (2), and then disconnect the cable from the panel (3).
7. Remove the panel.



8. Pull the wireless antennas up through the hole in the bottom of the computer **(1)**, and then remove the antennas from the clip **(2)**.



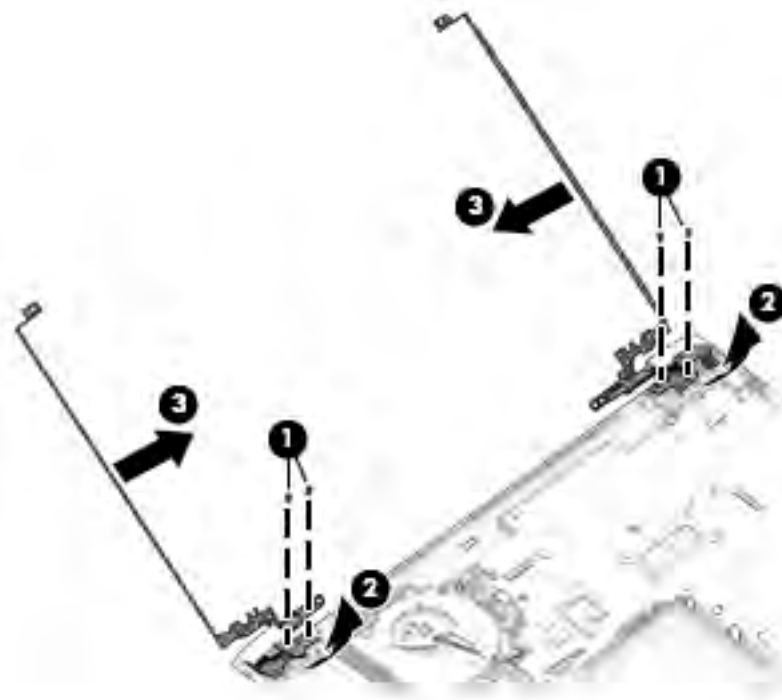
9. If it is necessary to remove the display enclosure from the hinges and brackets, remove the 2 Phillips M2.0×3.0 screws **(1)** and the 8 Phillips M2.5×4.0 screws **(2)** that secure the enclosure to the hinges and brackets.



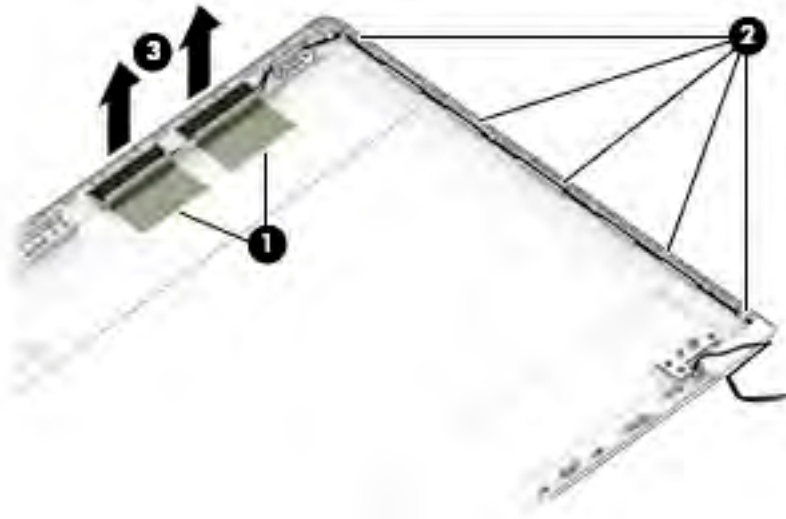
10. Separate the display enclosure from the hinges.



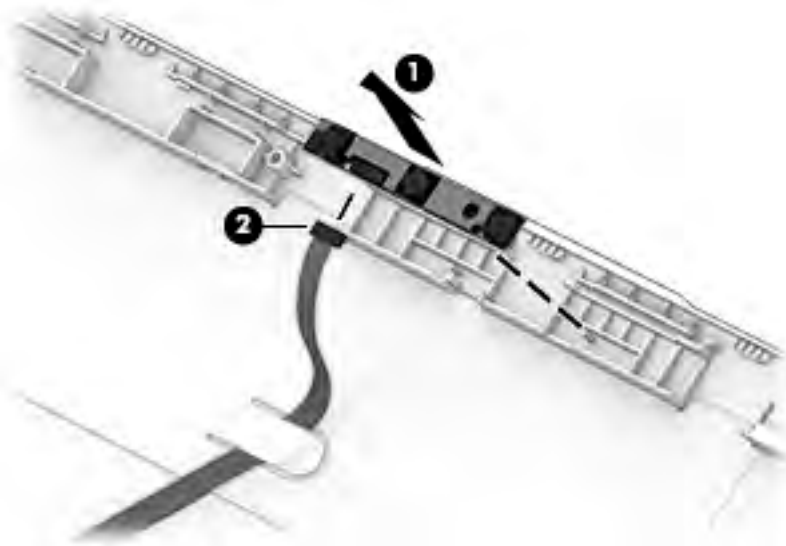
11. If it is necessary to remove the display hinges and brackets, remove the 4 Torx T8 2.5×4.0 screws (1) that secure the hinges to the computer, rotate the bottom of the hinges upward (2), and then slide the hinges toward each other to remove them (3).



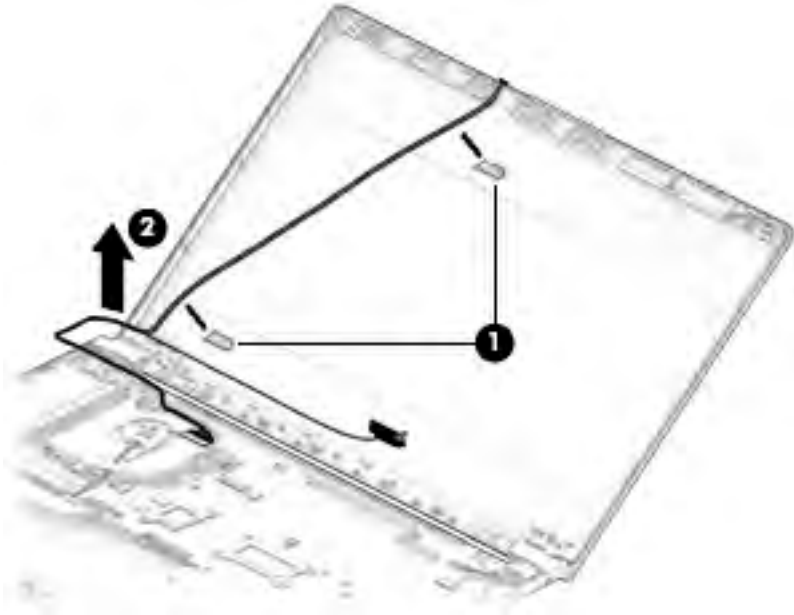
12. If it is necessary to replace the WLAN antennas, peel the antennas from the display enclosure (1), remove the cables from the clips in the sides of the enclosure (2), and then lift the cables and antennas from the enclosure (3).



13. If it is necessary to remove or replace the camera, peel the camera module up to remove it from the adhesive that secures it to the enclosure (1), and then disconnect the cable from the camera (2).



14. If it is necessary to remove or replace an display/camera cable, remove the cable from under the tabs that secure it to the enclosure (1), and then remove the cable from the display enclosure (2).



Reverse this procedure to reassemble the touch display assembly.

## Power connector and cable

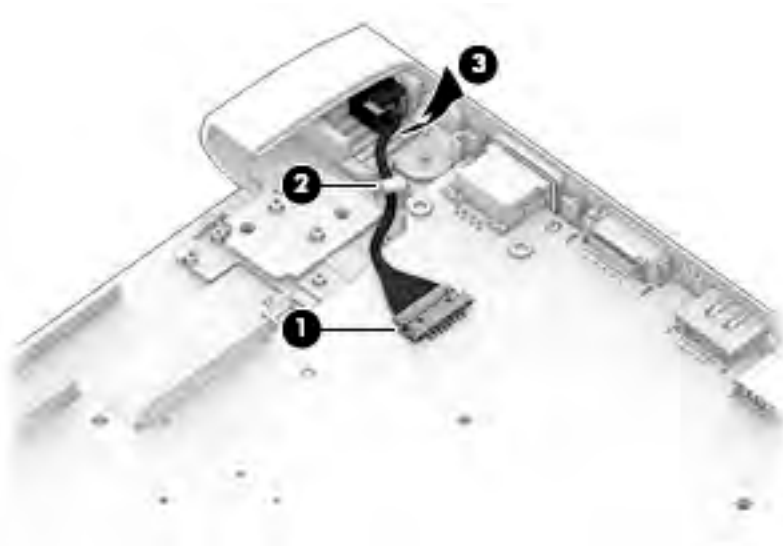
Description	Spare part number
Power connector and cable	L01952-001

Before removing the power cable, follow these steps:

1. Shut down the computer. If you are unsure whether the computer is off or in Hibernation, turn the computer on, and then shut it down through the operating system.
2. Disconnect all external devices connected to the computer.
3. Disconnect the power from the computer by first unplugging the power cord from the AC outlet, and then unplugging the AC adapter from the computer.
4. Remove the following components:
  - a. Service door ([Service doors on page 31](#)).
  - b. Hard drive ([Hard drive on page 37](#))
  - c. Keyboard ([Keyboard on page 40](#))
  - d. Top cover ([Top cover on page 44](#))
  - e. Card reader board ([Card reader board on page 57](#))
  - f. Battery ([Battery on page 58](#))
  - g. Display assembly right hinge ([Display assembly – non-touch on page 65](#) or [Display assembly – non-touch on page 65](#))

Remove the power cable:

1. Disconnect the cable from the system board (1).
2. Remove the cable from the clip (2).
3. Remove the power cable from the computer (3).



Reverse this procedure to install the power cable.

---

# 7 Computer Setup (BIOS), TPM, and HP Sure Start

## Using Computer Setup

Computer Setup, or Basic Input/Output System (BIOS), controls communication between all the input and output devices on the system (such as disk drives, display, keyboard, mouse, and printer). Computer Setup includes settings for the types of devices installed, the startup sequence of the computer, and the amount of system and extended memory.

 **NOTE:** Use extreme care when making changes in Computer Setup. Errors can prevent the computer from operating properly.

---

## Starting Computer Setup

- ▲ Turn on or restart the computer, and when the HP logo appears, press **f10** to enter Computer Setup.

## Using a USB keyboard or USB mouse to start Computer Setup (BIOS)

You can start Computer Setup by using a keyboard or mouse connected to a USB port, but you must first disable FastBoot.

1. Turn on or restart the computer, and when the HP logo appears, press **f9** to enter the Boot Device Options menu.
2. Clear the check box for **Fast Boot**.
3. To save your changes and exit, select the **Save** icon in the lower-right corner of the screen, and then follow the on-screen instructions.

– or –

Select **Main**, select **Save Changes and Exit**, and then press **enter**.

Your changes go into effect when the computer restarts.

## Navigating and selecting in Computer Setup

- To select a menu or a menu item, use the **tab** key and the keyboard arrow keys and then press **enter**, or use a pointing device to select the item.
- To scroll up and down, select the up arrow or the down arrow in the upper-right corner of the screen, or use the up arrow key or the down arrow key on the keyboard.
- To close open dialog boxes and return to the main Computer Setup screen, press **esc**, and then follow the on-screen instructions.

To exit Computer Setup menus, choose one of the following methods:

- To exit Computer Setup menus without saving your changes:  
Select the **Exit** icon in the lower-right corner of the screen, and then follow the on-screen instructions.  
– or –  
Select **Main**, select **Ignore Changes and Exit**, and then press [enter](#).
- To save your changes and exit Computer Setup menus:  
Select the **Save** icon in the lower-right corner of the screen, and then follow the on-screen instructions.  
– or –  
Select **Main**, select **Save Changes and Exit**, and then press [enter](#).

Your changes go into effect when the computer restarts.

## Restoring factory settings in Computer Setup

---


 **NOTE:** Restoring defaults will not change the hard drive mode.

---

To return all settings in Computer Setup to the values that were set at the factory, follow these steps:

1. Start Computer Setup. See [Starting Computer Setup on page 72](#).
2. Select **Main**, and then select **Apply Factory Defaults and Exit**.

---


 **NOTE:** On select products, the selections may display **Restore Defaults** instead of **Apply Factory Defaults and Exit**.

---

3. Follow the on-screen instructions.
4. To save your changes and exit, select the **Save** icon in the lower-right corner of the screen, and then follow the on-screen instructions.  
– or –  
Select **Main**, select **Save Changes and Exit**, and then press [enter](#).

Your changes go into effect when the computer restarts.

---

 **NOTE:** Your password settings and security settings are not changed when you restore the factory settings.

---

## Updating the BIOS

Updated versions of the BIOS may be available on the HP website.

Most BIOS updates on the HP website are packaged in compressed files called *SoftPaqs*.

Some download packages contain a file named *Readme.txt*, which contains information regarding installing and troubleshooting the file.

## Determining the BIOS version

To decide whether you need to update Computer Setup (BIOS), first determine the BIOS version on your computer.

BIOS version information (also known as *ROM date* and *System BIOS*) can be accessed by pressing [fn+esc](#) (if you are already in Windows) or by using Computer Setup.

1. Start Computer Setup. See [Starting Computer Setup on page 72](#).
2. Select **Main**, and then select **System Information**.
3. To exit Computer Setup without saving your changes, select the **Exit** icon in the lower-right corner of the screen, and then follow the on-screen instructions.


– or –

Select **Main**, select **Ignore Changes and Exit**, and then press **enter**.

To check for later BIOS versions, see [Downloading a BIOS update on page 74](#).

## Downloading a BIOS update

---

 **CAUTION:** To reduce the risk of damage to the computer or an unsuccessful installation, download and install a BIOS update only when the computer is connected to reliable external power using the AC adapter. Do not download or install a BIOS update while the computer is running on battery power, docked in an optional docking device, or connected to an optional power source. During the download and installation, follow these instructions:

Do not disconnect power on the computer by unplugging the power cord from the AC outlet.


Do not shut down the computer or initiate Sleep.

Do not insert, remove, connect, or disconnect any device, cable, or cord.

---

1. Type `support` in the taskbar search box, and then select the HP Support Assistant app.  
– or –  
Select the question mark icon in the taskbar.
2. Select **Updates**, and then select **Check for updates and messages**.
3. Follow the on-screen instructions.
4. At the download area, follow these steps:
  - a. Identify the most recent BIOS update and compare it to the BIOS version currently installed on your computer. Make a note of the date, name, or other identifier. You may need this information to locate the update later, after it has been downloaded to your hard drive.
  - b. Follow the on-screen instructions to download your selection to the hard drive.  
  
Make a note of the path to the location on your hard drive where the BIOS update is downloaded. You will need to access this path when you are ready to install the update.

---

 **NOTE:** If you connect your computer to a network, consult the network administrator before installing any software updates, especially system BIOS updates.

---

BIOS installation procedures vary. Follow any instructions that are displayed on the screen after the download is complete. If no instructions are displayed, follow these steps:

1. Type `file` in the taskbar search box, and then select **File Explorer**.
2. Select your hard drive designation. The hard drive designation is typically Local Disk (C:).
3. Using the hard drive path you recorded earlier, open the folder that contains the update.
4. Double-click the file that has an `.exe` extension (for example, `filename.exe`).  
  
The BIOS installation begins.
5. Complete the installation by following the on-screen instructions.



---

**NOTE:** After a message on the screen reports a successful installation, you can delete the downloaded file from your hard drive.

---

## Changing the boot order using the f9 prompt

To dynamically choose a boot device for the current startup sequence, follow these steps:

1. Access the Boot Device Options menu:
  - Turn on or restart the computer, and when the HP logo appears, press **f9** to enter the Boot Device Options menu.
2. Select a boot device, press **enter**, and then follow the on-screen instructions.

## TPM BIOS settings (select products only)



---

**IMPORTANT:** Before enabling Trusted Platform Module (TPM) functionality on this system, you must ensure that your intended use of TPM complies with relevant local laws, regulations and policies, and approvals or licenses must be obtained if applicable. For any compliance issues arising from your operation/usage of TPM which violates the above mentioned requirement, you shall bear all the liabilities wholly and solely. HP will not be responsible for any related liabilities.

---

TPM provides additional security for your computer. You can modify the TPM settings in Computer Setup (BIOS).



---

**NOTE:** If you change the TPM setting to Hidden, TPM is not visible in the operating system.

---

To access TPM settings in Computer Setup:

1. Start Computer Setup. See [Starting Computer Setup on page 72](#).
2. Select **Security**, select **TPM Embedded Security**, and then follow the on-screen instructions.

## Using HP Sure Start (select products only)

Select computer models are configured with HP Sure Start, a technology that monitors the computer's BIOS for attacks or corruption. If the BIOS becomes corrupted or is attacked, HP Sure Start automatically restores the BIOS to its previously safe state, without user intervention.


HP Sure Start is configured and already enabled so that most users can use the HP Sure Start default configuration. The default configuration can be customized by advanced users.

To access the latest documentation on HP Sure Start, go to <http://www.hp.com/support>. Select **Find your product**, and then follow the on-screen instructions.

## 8 Using HP PC Hardware Diagnostics (UEFI)

HP PC Hardware Diagnostics is a Unified Extensible Firmware Interface (UEFI) that allows you to run diagnostic tests to determine whether the computer hardware is functioning properly. The tool runs outside the operating system so that it can isolate hardware failures from issues that are caused by the operating system or other software components.

When HP PC Hardware Diagnostics (UEFI) detects a failure that requires hardware replacement, a 24-digit Failure ID code is generated. This ID code can then be provided to support to help determine how to correct the problem.

 **NOTE:** To start diagnostics on a convertible computer, your computer must be in notebook mode and you must use the keyboard attached.

To start HP PC Hardware Diagnostics (UEFI), follow these steps:

1. Turn on or restart the computer, and quickly press *esc*.
2. Press *f2*.

The BIOS searches three places for the diagnostic tools, in the following order:

- a. Connected USB drive

 **NOTE:** To download the HP PC Hardware Diagnostics (UEFI) tool to a USB drive, see [Downloading HP PC Hardware Diagnostics \(UEFI\) to a USB device on page 76](#).


- b. Hard drive

- c. BIOS

3. When the diagnostic tool opens, select the type of diagnostic test you want to run, and then follow the on-screen instructions.

 **NOTE:** If you need to stop a diagnostic test, press *esc*.

### Downloading HP PC Hardware Diagnostics (UEFI) to a USB device

 **NOTE:** The HP PC Hardware Diagnostics (UEFI) download instructions are provided in English only, and you must use a Windows computer to download and create the HP UEFI support environment because only .exe files are offered.

There are two options to download HP PC Hardware Diagnostics to a USB device.

#### Download the latest UEFI version

1. Go to <http://www.hp.com/go/techcenter/pcdiags>. The HP PC Diagnostics home page is displayed.
2. In the HP PC Hardware Diagnostics section, select the **Download** link, and then select **Run**.

#### Download any version of UEFI for a specific product

1. Go to <http://www.hp.com/support>.
2. Select **Get software and drivers**.
3. Enter the product name or number.

4. Select your computer, and then select your operating system.
5. In the **Diagnostic** section, follow the on-screen instructions to select and download the UEFI version you want.

## Using Remote HP PC Hardware Diagnostics (UEFI) settings (select products only)

Your computer supports Remote HP PC Hardware Diagnostics (UEFI). This is a firmware (BIOS) feature that downloads HP PC Hardware Diagnostics UEFI to your computer.

It executes the diagnostics on your computer, and then may upload results to a preconfigured server.

Using the Remote HP PC Hardware Diagnostics setting in Computer Setup (BIOS), you can perform the following customizations:

- Set a schedule for running diagnostics unattended. You can also start diagnostics immediately in interactive mode by selecting **Execute Remote HP PC Hardware Diagnostics**.
- Set the location for downloading the diagnostic tools. This feature provides access to the tools from the HP website or from a server that has been preconfigured for use. Your computer does not require the traditional local storage (such as a disk drive or USB flash drive) to run remote diagnostics.
- Set a location for storing the test results. You can also set the user name and password settings used for uploads.
- Display status information about the diagnostics run previously.

## Customizing Remote HP PC Hardware Diagnostics (UEFI) settings

1. Turn on or restart the computer, and when the HP logo appears, press **F10** to enter Computer Setup.
2. Select **Advanced**, and then select **Settings**.
3. Make your customization selections.
4. Select **Main**, and then **Save Changes and Exit** to save your settings.

Your changes take effect when the computer restarts.

To access documentation on using Remote HP PC Hardware Diagnostics (UEFI) to configure a server for remote diagnostics or to customize which diagnostic tests are run, go to <http://www.hp.com/support>. Select **Find your product**, and then follow the on-screen instructions.

---

## 9 Backing up, restoring, and recovering

This chapter provides information about the following processes. The information in the chapter is standard procedure for most products.

- Creating recovery media and backups
- Restoring and recovering your system

For additional information, refer to the HP Support Assistant app.

▲ Type `support` in the taskbar search box, and then select the **HP Support Assistant** app.

– or –

Select the question mark icon in the taskbar.



**IMPORTANT:** If you will be performing recovery procedures on a tablet, the tablet battery must be at least 70% charged before you start the recovery process.

**IMPORTANT:** For a tablet with a detachable keyboard, connect the tablet to the keyboard base before beginning any recovery process.

---

### Creating recovery media and backups

The following methods of creating recovery media and backups are available on select products only. Choose the available method according to your computer model.

- Use HP Recovery Manager to create HP Recovery media after you successfully set up the computer. This step creates a backup of the HP Recovery partition on the computer. The backup can be used to reinstall the original operating system in cases where the hard drive is corrupted or has been replaced. For information on creating recovery media, see [Creating HP Recovery media \(select products only\) on page 78](#). For information on the recovery options that are available using the recovery media, see [Using Windows tools on page 79](#).

- Use Windows tools to create system restore points and create backups of personal information.

For more information, see [Recovering using HP Recovery Manager on page 80](#).



**NOTE:** If storage is 32 GB or less, Microsoft System Restore is disabled by default.

---

- On select products, use the HP Cloud Recovery Download Tool to create a bootable USB drive for your HP recovery media. Go to <https://support.hp.com/us-en/document/c05115630?openCLC=true>, select your country or region, and follow the on-screen instructions.

### Creating HP Recovery media (select products only)

If possible, check for the presence of the Recovery partition and the Windows partition. Right-click the **Start** menu, select **File Explorer**, and then select **This PC**.


- If your computer does not list the Windows partition and the Recovery partition, you can obtain recovery media for your system from support. You can find contact information on the HP website. Go to <http://www.hp.com/support>, select your country or region, and follow the on-screen instructions.

You can use Windows tools to create system restore points and create backups of personal information, see [Using Windows tools on page 79](#).

- If your computer does list the Recovery partition and the Windows partition, you can use HP Recovery Manager to create recovery media after you successfully set up the computer. HP Recovery media can be used to perform system recovery if the hard drive becomes corrupted. System recovery reinstalls the original operating system and software programs that were installed at the factory and then configures the settings for the programs. HP Recovery media can also be used to customize the system or restore the factory image if you replace the hard drive.
  - Only one set of recovery media can be created. Handle these recovery tools carefully, and keep them in a safe place.
  - HP Recovery Manager examines the computer and determines the required storage capacity for the media that will be required.
  - To create recovery discs, your computer must have an optical drive with DVD writer capability, and you must use only high-quality blank DVD-R, DVD+R, DVD-R DL, or DVD+R DL discs. Do not use rewritable discs such as CD±RW, DVD±RW, double-layer DVD±RW, or BD-RE (rewritable Blu-ray) discs; they are not compatible with HP Recovery Manager software. Or, instead, you can use a high-quality blank USB flash drive.
  - If your computer does not include an integrated optical drive with DVD writer capability, but you would like to create DVD recovery media, you can use an external optical drive (purchased separately) to create recovery discs. If you use an external optical drive, it must be connected directly to a USB port on the computer; the drive cannot be connected to a USB port on an external device, such as a USB hub. If you cannot create DVD media yourself, you can obtain recovery discs for your computer from HP. You can find contact information on the HP website. Go to <http://www.hp.com/support>, select your country or region, and follow the on-screen instructions.
  - Be sure that the computer is connected to AC power before you begin creating the recovery media.
  - The creation process can take an hour or more. Do not interrupt the creation process.
  - If necessary, you can exit the program before you have finished creating all of the recovery DVDs. HP Recovery Manager will finish burning the current DVD. The next time you start HP Recovery Manager, you will be prompted to continue.

To create HP Recovery media:

---

 **IMPORTANT:** For a tablet with a detachable keyboard, connect the tablet to the keyboard base before beginning these steps.

---

1. Type `recovery` in the taskbar search box, and then select **HP Recovery Manager**.
2. Select **Create recovery media**, and then follow the on-screen instructions.

If you ever need to recover the system, see [Recovering using HP Recovery Manager on page 80](#).

## Using Windows tools

You can create recovery media, system restore points, and backups of personal information using Windows tools.

---

 **NOTE:** If storage is 32 GB or less, Microsoft System Restore is disabled by default.

---

For more information and steps, see the Get help app.

- ▲ Select the **Start** button, and then select the **Get Help** app.



**NOTE:** You must be connected to the Internet to access the Get help app.

## Restore and recovery

There are several options for recovering your system. Choose the method that best matches your situation and level of expertise:



**IMPORTANT:** Not all methods are available on all products.

- Windows offers several options for restoring from backup, refreshing the computer, and resetting the computer to its original state. For more information see the Get help app.

▲ Select the **Start** button, and then select the **Get Help** app.



**NOTE:** You must be connected to the Internet to access the Get help app.

- If you need to correct a problem with a preinstalled application or driver, use the Reinstall drivers and/or applications option (select products only) of HP Recovery Manager to reinstall the individual application or driver.

▲ Type `recovery` in the taskbar search box, select **HP Recovery Manager**, select **Reinstall drivers and/or applications**, and then follow the on-screen instructions.

- If you want to recover the Windows partition to original factory content, you can choose the System Recovery option from the HP Recovery partition (select products only) or use the HP Recovery media. For more information, see [Recovering using HP Recovery Manager on page 80](#). If you have not already created recovery media, see [Creating HP Recovery media \(select products only\) on page 78](#).
- On select products, if you want to recover the computer's original factory partition and content, or if you have replaced the hard drive, you can use the Factory Reset option of HP Recovery media. For more information, see [Recovering using HP Recovery Manager on page 80](#).
- On select products, if you want to remove the Recovery partition to reclaim hard drive space, HP Recovery Manager offers the Remove Recovery Partition option.

For more information, see [Removing the HP Recovery partition \(select products only\) on page 82](#).

## Recovering using HP Recovery Manager

HP Recovery Manager software allows you to recover the computer to its original factory state by using the HP Recovery media that you either created or that you obtained from HP, or by using the HP Recovery partition (select products only). If you have not already created recovery media, see [Creating HP Recovery media \(select products only\) on page 78](#).

### What you need to know before you get started

- HP Recovery Manager recovers only software that was installed at the factory. For software not provided with this computer, you must either download the software from the manufacturer's website or reinstall the software from the media provided by the manufacturer.




**IMPORTANT:** Recovery through HP Recovery Manager should be used as a final attempt to correct computer issues.

- HP Recovery media must be used if the computer hard drive fails. If you have not already created recovery media, see [Creating HP Recovery media \(select products only\) on page 78](#).

- To use the Factory Reset option (select products only), you must use HP Recovery media. If you have not already created recovery media, see [Creating HP Recovery media \(select products only\) on page 78](#).
- If your computer does not allow the creation of HP Recovery media or if the HP Recovery media does not work, you can obtain recovery media for your system from support. You can find contact information from the HP website. Go to <http://www.hp.com/support>, select your country or region, and follow the on-screen instructions.

---

 **IMPORTANT:** HP Recovery Manager does not automatically provide backups of your personal data. Before beginning recovery, back up any personal data you want to retain.

---

Using HP Recovery media, you can choose from one of the following recovery options:

---

 **NOTE:** Only the options available for your computer display when you start the recovery process.

---

- System Recovery—Reinstalls the original operating system, and then configures the settings for the programs that were installed at the factory.
- Factory Reset—Restores the computer to its original factory state by deleting all information from the hard drive and re-creating the partitions. Then it reinstalls the operating system and the software that was installed at the factory.


The HP Recovery partition (select products only) allows System Recovery only.

## Using the HP Recovery partition (select products only)

The HP Recovery partition allows you to perform a system recovery without the need for recovery discs or a recovery USB flash drive. This type of recovery can be used only if the hard drive is still working.

To start HP Recovery Manager from the HP Recovery partition:

---

 **IMPORTANT:** For a tablet with a detachable keyboard, connect the tablet to the keyboard base before beginning these steps (select products only).

---

1. Type `recovery` in the taskbar search box, select **HP Recovery Manager**, and then select **Windows Recovery Environment**.

– or –

For computers or tablets with keyboards attached, press **f11** while the computer boots, or press and hold **f11** as you press the power button.

For tablets without keyboards:

- Turn on or restart the tablet, and then quickly hold down the volume up button; then select **f11**.

– or –

- Turn on or restart the tablet, and then quickly hold down the volume down button; then select **f11**.

2. Select **Troubleshoot** from the boot options menu.
3. Select **Recovery Manager**, and then follow the on-screen instructions.

## Using HP Recovery media to recover

You can use HP Recovery media to recover the original system. This method can be used if your system does not have an HP Recovery partition or if the hard drive is not working properly.

1. If possible, back up all personal files.
2. Insert the HP Recovery media, and then restart the computer.



**NOTE:** If the computer does not automatically restart in HP Recovery Manager, change the computer boot order. See [Changing the computer boot order on page 82](#).

3. Follow the on-screen instructions.

## Changing the computer boot order

If your computer does not restart in HP Recovery Manager, you can change the computer boot order, which is the order of devices listed in BIOS where the computer looks for startup information. You can change the selection to an optical drive or a USB flash drive.

To change the boot order:



**IMPORTANT:** For a tablet with a detachable keyboard, connect the tablet to the keyboard base before beginning these steps.

1. Insert the HP Recovery media.
2. Access the system **Startup** menu.

For computers or tablets with keyboards attached:

- ▲ Turn on or restart the computer or tablet, quickly press **esc**, and then press **f9** for boot options.

For tablets without keyboards:

- ▲ Turn on or restart the tablet, and then quickly hold down the volume up button; then select **f9**.

– or –

Turn on or restart the tablet, and then quickly hold down the volume down button; then select **f9**.

3. Select the optical drive or USB flash drive from which you want to boot.
4. Follow the on-screen instructions.

## Removing the HP Recovery partition (select products only)

HP Recovery Manager software allows you to remove the HP Recovery partition to free up hard drive space.



**IMPORTANT:** After you remove the HP Recovery partition, you will not be able to perform System Recovery or create HP Recovery media from the HP Recovery partition. So before you remove the Recovery partition, create HP Recovery media; see [Creating HP Recovery media \(select products only\) on page 78](#).



**NOTE:** The Remove Recovery Partition option is only available on products that support this function.

Follow these steps to remove the HP Recovery partition:

1. Type `recovery` in the taskbar search box, and then select **HP Recovery Manager**.
2. Select **Remove Recovery Partition**, and then follow the on-screen instructions.

# 10 Specifications

## Computer specifications

	Metric	U.S.
<b>Dimensions</b>		
Length	276.0 mm	10.87 in
Width	413.8 mm	16.29 in
Height (front to rear)	22.5 mm	0.89 in
<b>Weight</b> (1 DIMM, WLAN, camera, no fingerprint reader)		
M.2 SSD	2.50 kg	5.50 lbs
Hard drive	2.58 kg	5.68 lbs
<b>Input power</b>		
Operating voltage	19.0 V dc @ 4.74 A – 90 W or 18.5 V dc @ 3.5 A - 65 W	
Operating current	4.74 A or 3.5 A	
<b>Temperature</b>		
Operating (not writing to optical disc)	0°C to 35°C	32°F to 95°F
Operating (writing to optical disc)	5°C to 35°C	41°F to 95°F
Nonoperating	-20°C to 60°C	-4°F to 140°F
<b>Relative humidity</b>		
Operating	10% to 90%	
Nonoperating	5% to 95%	
<b>Maximum altitude</b> (unpressurized)		
Operating (14.7 to 10.1 psia)	-15 m to 3,048 m	50 ft to 10,000 ft
Nonoperating (14.7 to 4.4 psia)	-15 m to 12,192 m	-50 ft to 40,000 ft
<b>Shock</b>		
Operating	125 g, 2 ms, half-sine	
Nonoperating	200 g, 2 ms, half-sine	
<b>Random vibration</b>		
Operating	0.75 g zero-to-peak, 10 Hz to 500 Hz, 0.25 oct/min sweep rate	
Nonoperating	1.50 g zero-to-peak, 10 Hz to 500 Hz, 0.5 oct/min sweep rate	

**NOTE:** Applicable product safety standards specify thermal limits for plastic surfaces. The computer operates well within this range of temperatures.

## 43.9-cm (17.3-in) display specifications

	Metric	U.S.
Active diagonal size	43.9-cm	17.3-in
Resolution	1600x900 (HD+) or 1920x1080 (FHD)	
Surface treatment	Anti-glare	
Aspect ratio	16:9	
Brightness	220 nits (HD+) or 300 nits (FHD)	
Viewing angle	SVA (HD+) or UWVA (FHD)	
Backlight	LED	

## Hard drive specifications

	1-TB*	500-GB*	500-GB* hybrid
<b>Dimensions</b>			
Height	7.0 mm	7.0 mm	7.0 mm
Width	70 mm	70 mm	70 mm
Weight	115 g	101 g or 95 g	95 g
<b>Interface type</b>	SATA	SATA	SATA
<b>Transfer rate</b>	100 MB/sec	100 MB/sec	100 MB/sec
<b>Security</b>	ATA security	ATA security	ATA security
<b>Seek times</b> (typical read, including setting)			
Single track	1.4 ms	3 ms	2 ms
Average	10 ms	13 ms	12 ms
Maximum	12 ms	24 ms	22 ms
<b>Logical blocks</b>	1,938,921,461	1,048,576,000	976,773,168
<b>Disc rotational speed</b>	5400 rpm	7200 rpm or 5400 rpm	5400 rpm
<b>Operating temperature</b>			
*1 GB = 1 billion bytes when referring to hard drive storage capacity. Actual accessible capacity is less. Actual drive specifications may differ slightly.			
<b>NOTE:</b> Certain restrictions and exclusions apply. Contact technical support for details.			

## Solid-state drive specifications

	128-GB*	256-GB*	512-GB*
<b>Height</b>	1.0 mm	1.0 mm	1.0 mm
<b>Length</b>	50.8 mm	50.8 mm	50.8 mm
<b>Width</b>	28.9 mm	28.9 mm	28.9 mm
<b>Weight</b>	< 10 g	< 10 g	< 10 g
<b>Transfer rate</b>			
Sequential read	up to 2150 MB/sec	up to 2150 MB/sec	up to 2150 MB/sec
Random read	Up to 300,000 IOPs	Up to 300,000 IOPs	Up to 300,000 IOPs
Sequential write	up to 1260 MB/sec	up to 1550 MB/sec	up to 1550 MB/sec
Random write	Up to 100,000 IOPs	Up to 100,000 IOPs	Up to 100,000 IOPs
<b>Interface type</b>	SATA-3	PCIe	PCIe
Ready time, maximum (to not busy)	1.0 ms	< 1.0 ms	< 1.0 ms
Access times, logical	0.1 ms	0.1 ms	0.1 ms
<b>Total logical sectors</b>	234,441,648	468,883,296	1,000,215,216
<b>Operating temperature</b>	0°C to 70°C (32°F to 158°F)		
*1 GB = 1 billion bytes when referring to hard drive storage capacity. Actual accessible capacity is less. Actual drive specifications may differ slightly.			
<b>NOTE:</b> Certain restrictions and exclusions apply. Contact technical support for details.			


# 11 Statement of memory volatility

The purpose of this chapter is to provide general information regarding nonvolatile memory in HP Business computers. This chapter also provides general instructions for restoring nonvolatile memory that can contain personal data after the system has been powered off and the hard drive has been removed.

HP Business computer products that use Intel®-based or AMD®-based system boards contain volatile DDR memory. The amount of nonvolatile memory present in the system depends upon the system configuration. Intel-based and AMD-based system boards contain nonvolatile memory subcomponents as originally shipped from HP, assuming that no subsequent modifications have been made to the system and assuming that no applications, features, or functionality have been added to or installed on the system.

Following system shutdown and removal of all power sources from an HP Business computer system, personal data can remain on volatile system memory (DIMMs) for a finite period of time and will also remain in nonvolatile memory. Use the steps below to remove personal data from the computer, including the nonvolatile memory found in Intel-based and AMD-based system boards.

---

 **NOTE:** If your tablet has a keyboard base, connect to the keyboard base before beginning steps in this chapter.

---

## Current BIOS steps

1. Follow steps (a) through (l) below to restore the nonvolatile memory that can contain personal data. Restoring or reprogramming nonvolatile memory that does not store personal data is neither necessary nor recommended.
  - a. Turn on or restart the computer, and then press **esc** while the “Press the ESC key for Startup Menu” message is displayed at the bottom of the screen.


---

 **NOTE:** If the system has a BIOS administrator password, enter the password at the prompt.

---

- b. Select **Main**, select **Apply Factory Defaults and Exit**, and then select **Yes** to load defaults.  
The computer will reboot.
  - c. During the reboot, press **esc** while the “Press the ESC key for Startup Menu” message is displayed at the bottom of the screen.

---

 **NOTE:** If the system has a BIOS administrator password, enter the password at the prompt.

---

- d. Select the **Security** menu, select **Restore Security Settings to Factory Defaults**, and then select **Yes** to restore security level defaults.  
The computer will reboot.
  - e. During the reboot, press **esc** while the “Press the ESC key for Startup Menu” message is displayed at the bottom of the screen.

---

 **NOTE:** If the system has a BIOS administrator password, enter the password at the prompt.

---

- f. If an asset or ownership tag is set, select the **Security** menu and scroll down to the **Utilities** menu. Select **System IDs**, and then select **Asset Tracking Number**. Clear the tag, and then make the selection to return to the prior menu.



## Nonvolatile memory usage

Nonvolatile Memory Type	Amount (Size)	Does this memory store customer data?	Does this memory retain data when power is removed?	What is the purpose of this memory?	How is data input into this memory?	How is this memory write-protected?
HP Sure Start flash (select models only)	8 MBytes	No	Yes	Provides protected backup of critical System BIOS code, EC firmware, and critical computer configuration data for select platforms that support HP Sure Start.  For more information, see <a href="#">Using HP Sure Start (select models only) on page 91</a> .	Data cannot be written to this device via the host processor. The content is managed solely by the HP Sure Start Embedded Controller.	This memory is protected by the HP Sure Start Embedded Controller.
Real Time Clock (RTC) battery backed-up CMOS configuration memory	256 Bytes	No	Yes	Stores system date and time and noncritical data.	RTC battery backed-up CMOS is programmed using the Computer Setup (BIOS), or changing the Microsoft Windows date & time.	This memory is not write-protected.
Controller (NIC) EEPROM	64 KBytes (not customer accessible)	No	Yes	Stores NIC configuration and NIC firmware.	NIC EEPROM is programmed using a utility from the NIC vendor that can be run from DOS.	A utility is required to write data to this memory and is available from the NIC vendor. Writing data to this ROM in an inappropriate manner will render the NIC non-functional.
DIMM Serial Presence Detect (SPD) configuration data	256 Bytes per memory module, 128 Bytes programmable (not customer accessible)	No	Yes	Stores memory module information.	DIMM SPD is programmed by the memory vendor.	Data cannot be written to this memory when the module is installed in a computer. The specific write-protection method varies by memory vendor.
System BIOS	9 MBytes	Yes	Yes	Stores system BIOS code and computer configuration data.	System BIOS code is programmed at the factory. Code is updated when the system BIOS is updated. Configuration data and settings are input using the Computer Setup (BIOS) or a custom utility.	<b>NOTE:</b> Writing data to this ROM in an inappropriate manner can render the computer non-functional.  A utility is required for writing data to this memory and is available on the HP website; go to <a href="http://www.hp.com/support">http://www.hp.com/support</a> . Select <b>Find your</b>

Nonvolatile Memory Type	Amount (Size)	Does this memory store customer data?	Does this memory retain data when power is removed?	What is the purpose of this memory?	How is data input into this memory?	How is this memory write-protected?
Intel Management Engine Firmware (present only in select Elite or Z models. For more information, go to <a href="http://www.hp.com/support">http://www.hp.com/support</a> . Select <b>Find your product</b> , and then follow the on-screen instructions.)	1.5 MBytes or 7 MBytes	Yes	Yes	Stores Management Engine Code, Settings, Provisioning Data and iAMT third-party data store.	Management Engine Code is programmed at the factory. Code is updated via Intel secure firmware update utility. Unique Provisioning Data can be entered at the factory or by an administrator using the Management Engine (MEBx) setup utility. The third party data store contents can be populated by a remote management console or local applications that have been registered by an administrator to have access to the space.	<b>product</b> , and then follow the on-screen instructions.  The Intel chipset is configured to enforce hardware protection to block all direct read/write access to this area. An Intel utility is required for updating the firmware. Only firmware updates digitally signed by Intel can be applied using this utility.
Bluetooth flash (select products only)	2 Mbit	No	Yes	Stores Bluetooth configuration and firmware.	Bluetooth flash is programmed at the factory. Tools for writing data to this memory are not publicly available but can be obtained from the silicon vendor.	A utility is required for writing data to this memory and is made available through newer versions of the driver whenever the flash requires an upgrade.
802.11 WLAN EEPROM	4 Kbit to 8 Kbit	No	Yes	Stores configuration and calibration data.	802.11 WLAN EEPROM is programmed at the factory. Tools for writing data to this memory are not made public.	A utility is required for writing data to this memory and is typically not made available to the public unless a firmware upgrade is necessary to address a unique issue.
Webcam (select products only)	64 Kbit	No	Yes	Stores webcam configuration and firmware.	Webcam memory is programmed using a utility from the device manufacturer that can be run from Windows.	A utility is required for writing data to this memory and is typically not made available to the public unless a firmware upgrade is necessary to address a unique issue.
Fingerprint reader (select products only)	512 KByte flash	Yes	Yes	Stores fingerprint templates.	Fingerprint reader memory is programmed by user enrollment in HP ProtectTools Security Manager.	Only a digitally signed application can make the call to write to the flash.

## Questions and answers

### 1. How can the BIOS settings be restored (returned to factory settings)?



**IMPORTANT:** Restore defaults does not securely erase any data on your hard drive. See question and answer 6 for steps to securely erase data.

Restore defaults does not reset the Custom Secure Boot keys. See question and answer 7 for information about resetting the keys.

- a. Turn on or restart the computer, and then press **esc** while the “Press the ESC key for Startup Menu” message is displayed at the bottom of the screen.
- b. Select **Main**, and then select **Apply Factory Defaults and Exit**.
- c. Follow the on-screen instructions.
- d. Select **Main**, select **Save Changes and Exit**, and then follow the on-screen instructions.

### 2. What is a UEFI BIOS, and how is it different from a legacy BIOS?

The Unified Extensible Firmware Interface (UEFI) BIOS is an industry-standard software interface between the platform firmware and an operating system (OS). It is a replacement for the older BIOS architecture, but supports much of the legacy BIOS functionality.

Like the legacy BIOS, the UEFI BIOS provides an interface to display the system information and configuration settings and to change the configuration of your computer before an OS is loaded. BIOS provides a secure run-time environment that supports a Graphic User Interface (GUI). In this environment, you can use either a pointing device (Touchscreen, TouchPad, pointing stick, or USB mouse) or the keyboard to navigate and make menu and configuration selections. The UEFI BIOS also contains basic system diagnostics.

The UEFI BIOS provides functionality beyond that of the legacy BIOS. In addition, the UEFI BIOS works to initialize the computer’s hardware before loading and executing the OS; the run-time environment allows the loading and execution of software programs from storage devices to provide more functionality, such as advanced hardware diagnostics (with the ability to display more detailed system information) and advanced firmware management and recovery software.

HP has provided options in Computer Setup (BIOS) to allow you to run in legacy BIOS, if required by the operating system. Examples of this requirement would be if you upgrade or downgrade the OS.

### 3. Where does the UEFI BIOS reside?

The UEFI BIOS resides on a flash memory chip. A utility is required to write to the chip.

### 4. What kind of configuration data is stored on the DIMM Serial Presence Detect (SPD) memory module? How would this data be written?

The DIMM SPD memory contains information about the memory module, such as size, serial number, data width, speed/timing, voltage, and thermal information. This information is written by the module manufacturer and stored on an EEPROM. This EEPROM cannot be written to when the memory module is installed in a computer. Third-party tools do exist that can write to the EEPROM when the memory module is not installed in a computer. Various third-party tools are available to read SPD memory.

### 5. What is meant by “Restore the nonvolatile memory found in Intel-based system boards”?

This message relates to clearing the Real Time Clock (RTC) CMOS memory that contains computer configuration data.

### 6. How can the BIOS security be reset to factory defaults and data erased?

---

 **IMPORTANT:** Resetting will result in the loss of information.

These steps will not reset Custom Secure Boot Keys. See question and answer 7 for information about resetting the keys.

---

- a. Turn on or restart the computer, and then press **esc** while the “Press the ESC key for Startup Menu” message is displayed at the bottom of the screen.
- b. Select **Main**, and then select **Reset Security to Factory Defaults**.
- c. Follow the on-screen instructions.
- d. Select **Main**, select **Save Changes and Exit**, and then follow the on-screen instructions.

#### 7. How can the Custom Secure Boot Keys be reset?

Secure Boot is a feature to ensure that only authenticated code can start on a platform. If you enabled Secure Boot and created Custom Secure Boot Keys, simply disabling Secure Boot will not clear the keys. You must also select to clear the Custom Secure Boot Keys. Use the same Secure Boot access procedure you used to create the Custom Secure Boot Keys, but make the selection to clear or delete all Secure Boot Keys.

- a. Turn on or restart the computer, and then press **esc** while the “Press the ESC key for Startup Menu” message is displayed at the bottom of the screen.
- b. Select the **Security** menu, select **Secure Boot Configuration**, and then follow the on-screen instructions.
- c. At the **Secure Boot Configuration** window, select **Secure Boot**, select **Clear Secure Boot Keys**, and then follow the on-screen instructions to continue.

## Using HP Sure Start (select models only)

Select computer models are configured with HP Sure Start, a technology that continuously monitors your computer's BIOS for attacks or corruption. If the BIOS becomes corrupted or is attacked, HP Sure Start restores the BIOS to its previously safe state, without user intervention. Those select computer models ship with HP Sure Start configured and enabled. HP Sure Start is configured and already enabled so that most users can use the HP Sure Start default configuration. The default configuration can be customized by advanced users.

To access the latest documentation on HP Sure Start, go to <http://www.hp.com/support>. Select **Find your product**, and then follow the on-screen instructions.

# 12 Power cord set requirements

The wide-range input feature of the computer permits it to operate from any line voltage from 100 to 120 volts ac, or from 220 to 240 volts ac.

The 3-conductor power cord set included with the computer meets the requirements for use in the country or region where the equipment is purchased.

Power cord sets for use in other countries and regions must meet the requirements of the country or region where the computer is used.

## Requirements for all countries and regions

The following requirements are applicable to all countries and regions:

- The length of the power cord set must be at least **1.5 m** (5.0 ft) and no more than **2.0 m** (6.5 ft).
- All power cord sets must be approved by an acceptable accredited agency responsible for evaluation in the country or region where the power cord set will be used.
- The power cord sets must have a minimum current capacity of 10 A and a nominal voltage rating of 125 or 250 V ac, as required by the power system of each country or region.
- The appliance coupler must meet the mechanical configuration of an EN 60 320/IEC 320 Standard Sheet C13 connector for mating with the appliance inlet on the back of the computer.

## Requirements for specific countries and regions

Country/region	Accredited agency	Applicable note number
Argentina	IRAM	1
Australia	SAA	1
Austria	OVE	1
Belgium	CEBEC	1
Brazil	ABNT	1
Canada	CSA	2
Chile	IMQ	1
Denmark	DEMKO	1
Finland	FIMKO	1
France	UTE	1
Germany	VDE	1
India	ISI	1
Israel	SII	1
Italy	IMQ	1

Country/region	Accredited agency	Applicable note number
Japan	JIS	3
The Netherlands	KEMA	1
New Zealand	SANZ	1
Norway	NEMKO	1
The People's Republic of China	CCC	4
Saudi Arabia	SASO	7
Singapore	PSB	1
South Africa	SABS	1
South Korea	KTL	5
Sweden	SEMKO	1
Switzerland	SEV	1
Taiwan	BSMI	6
Thailand	TISI	1
The United Kingdom	ASTA	1
The United States	UL	2

1. The flexible cord must be Type H05VV-F, 3-conductor, 0.75mm<sup>2</sup> conductor size. Power cord set fittings (appliance coupler and wall plug) must bear the certification mark of the agency responsible for evaluation in the country or region where it will be used.
2. The flexible cord must be Type SVT/SJT or equivalent, No. 18 AWG, 3-conductor. The wall plug must be a two-pole grounding type with a NEMA 5-15P (15 A, 125 V ac) or NEMA 6-15P (15 A, 250 V ac) configuration. CSA or C-UL mark. UL file number must be on each element.
3. The appliance coupler, flexible cord, and wall plug must bear a "T" mark and registration number in accordance with the Japanese Dentori Law. The flexible cord must be Type VCTF, 3-conductor, 0.75mm<sup>2</sup> or 1.25mm<sup>2</sup> conductor size. The wall plug must be a two-pole grounding type with a Japanese Industrial Standard C8303 (7 A, 125 V ac) configuration.
4. The flexible cord must be Type RVV, 3-conductor, 0.75mm<sup>2</sup> conductor size. Power cord set fittings (appliance coupler and wall plug) must bear the CCC certification mark.
5. The flexible cord must be Type H05VV-F 3X0.75mm<sup>2</sup> conductor size. KTL logo and individual approval number must be on each element. Corset approval number and logo must be printed on a flag label.
6. The flexible cord must be Type HVCTF 3X1.25mm<sup>2</sup> conductor size. Power cord set fittings (appliance coupler, cable, and wall plug) must bear the BSMI certification mark.
7. For 127 V ac, the flexible cord must be Type SVT or SJT 3 x 18 AWG, with plug NEMA 5-15P (15 A, 125 V ac), with UL and CSA or C-UL marks. For 240 V ac, the flexible cord must be Type H05VV-F 3X0.75/1.00mm<sup>2</sup> conductor size, with plug BS 1363/A with BSI or ASTA marks.

---

# 13 Recycling

When a non-rechargeable or rechargeable battery has reached the end of its useful life, do not dispose of the battery in general household waste. Follow the local laws and regulations in your area for battery disposal.

HP encourages customers to recycle used electronic hardware, HP original print cartridges, and rechargeable batteries. For more information about recycling programs, see the HP Web site at <http://www.hp.com/recycle>.

# Index

## A

- AC adapter, spare part numbers 22
- action keys
  - using 13
- action keys, identifying 12
- antennas
  - disconnecting 35
- audio, product description 2
- audio-out (headphone)/audio-in (microphone) combo jack, identifying 6

## B

- backups 78
- base enclosure, spare part number 17
- battery
  - removing 58
  - spare part number 17, 58
- battery light 5
- BIOS
  - determining version 73
  - downloading an update 74
  - updating 73
- Bluetooth card
  - spare part number 35
- Bluetooth label 15
- boot order
  - changing 82
  - changing using the f9 prompt 75
- bottom 15
- Bracket Kit
  - contents 20
  - spare part number 20
- buttons
  - left TouchPad 9
  - power 11
  - right TouchPad 9

## C

- Cable Kit
  - contents 20
  - spare part number 20
- cables, service considerations 26

- camera 8
- camera light, identifying 8
- camera, identifying 8
- caps lock light, identifying 10
- card reader board
  - removal 57
  - spare part number 17, 57
- components
  - bottom 14
  - display 8
  - left side 6
  - right side 5
  - top 9
- Computer Setup
  - navigating and selecting 72
  - restoring factory settings 73
  - using a USB keyboard or USB mouse to start Computer Setup 72
- computer setup 72
- computer specifications 83
- connector, power 6
- connectors, service considerations 26

## D

- diskette drive
  - precautions 26
- display assembly
  - removal 65
  - spare part numbers 19, 65
- display bezel
  - spare part numbers 19
- display panel
  - product description 1
- display rear cover
  - spare part number 19
- display specifications 84
- DisplayPort
  - identifying USB Type-C 5
- drive light, identifying 7
- drives
  - preventing damage 26

## E

- electrostatic discharge 27
- esc key, identifying 12
- Ethernet, product description 2
- external media cards, product description 2
- external monitor port, using 5

## F

- fan
  - removing 55
  - spare part number 17
- fingerprint reader assembly
  - removal 47
  - spare part number 17, 47
- fingerprint reader, identifying 11
- fn key, identifying 12
- fn lock light 10

## G

- graphics, product description 1
- grounding equipment and methods 29

## H

- hard drive
  - precautions 26
  - product description 1
  - removing 37
  - spare part numbers 17, 21, 37
  - specifications 84
- Hard Drive Hardware Kit
  - spare part number 17, 21, 31, 37
- hard drive, identifying 14
- HDMI port, identifying 5
- heat sink
  - removal 62
  - spare part number 17
- Hinge Kit
  - spare part number 19
- hot keys
  - microphone mute 13
- HP PC Hardware Diagnostics (UEFI) using 76

- HP Recovery Manager
  - correcting boot problems 82
  - starting 81
- HP Recovery media
  - creating 78
  - recovery 81
- HP Recovery partition
  - recovery 81
  - removing 82
- HP Sure Start 91

**I**

- integrated camera light, identifying 8
- integrated numeric keypad, identifying 12
- internal microphones, identifying 8

**J**

- jacks
  - audio-out (headphone)/audio-in (microphone) combo 6
  - network 5
  - RJ-45 (network) 5

**K**

- keyboard
  - product description 3
  - removal 40
  - spare part numbers 17, 40
- keypad
  - integrated numeric 12
- keys
  - esc 12
  - fn 12
  - Windows key 12

**L**

- labels
  - Bluetooth 15
  - regulatory 15
  - serial number 15
  - service 15
  - wireless certification 15
  - WLAN 15
- lights
  - battery 5
  - camera 8
  - caps lock 10
  - fn lock 10
  - hard drive 7

- microphone mute 10
- num lock 10
- power 10
- RJ-45 (network) 5
- wireless 10

**M**

- mass storage devices, spare part numbers 21
- memory
  - nonvolatile 86
  - volatile 86
- memory card reader, identifying 7
- memory module
  - identifying 14
  - product description 1
  - removal 33
  - spare part numbers 17, 33
- microphone (audio-in) jack
  - product description 2
- microphone board
  - spare part number 19
- microphone mute key, identifying 13
- microphone mute light, identifying 10
- mini card
  - product description 2
- minimized image recovery 81
- minimized image, creating 80
- model name 1

**N**

- network jack, identifying 5
- nonvolatile memory 86
- num lock light 10

**O**

- operating system, product description 3
- optical drive
  - precautions 26
- original system recovery 80

**P**

- packing guidelines 28
- plastic parts 25
- Plastics Kit
  - contents 18
  - spare part number 18

- pointing device, product description 3
- ports
  - external monitor 5
  - HDMI 5
  - product description 2
  - USB 2.0 powered 6
  - USB 3.x SuperSpeed 5
  - USB Type-C DisplayPort 5
  - USB Type-C power connector 5
  - USB Type-C SuperSpeed 5
- power button board
  - removal 49
  - spare part number 17, 49
- power button, identifying 11
- power cable
  - removal 71
  - spare part number 17, 71
- Power connector
  - identifying USB Type-C 5
- power connector, identifying 6
- power cord
  - set requirements 92
  - spare part numbers 22, 23
- power lights 10
- power requirements, product description 3
- processor
  - product description 1
- product description
  - audio 2
  - display panel 1
  - Ethernet 2
  - external media cards 2
  - graphics 1
  - hard drives 1
  - keyboard 3
  - memory module 1
  - microphone 2
  - mini card 2
  - operating system 3
  - pointing devices 3
  - ports 2
  - power requirements 3
  - processors 1
  - product name 1
  - security 3
  - serviceability 4
  - webcam 2
  - wireless 2

- product name 1
- product name and number, computer 15
- R**
- recover
  - options 80
- recovery
  - discs 79, 81
  - HP Recovery Manager 80
  - media 81
  - starting 81
  - supported discs 79
  - system 80
  - USB flash drive 81
  - using HP Recovery media 79
- recovery media
  - creating 78
  - creating using HP Recovery Manager 79
- recovery partition
  - removing 82
- regulatory information
  - regulatory label 15
  - wireless certification labels 15
- removal/replacement
  - preliminaries 25
  - procedures, Authorized Service Provider 43
  - procedures, Customer Self-Repair 30
- removing personal data from volatile system memory 86
- RJ-45 (network) jack, identifying 5
- RJ-45 (network) lights, identifying 5
- RTC battery
  - removal 64
  - spare part number 17, 64
- S**
- Screw Kit, spare part number 23
- security cable slot, identifying 6
- security, product description 3
- serial number 15
- serial number, computer 15
- service considerations 25
- service doors
  - removing 31
  - spare part number 31
- service labels, locating 15
- serviceability, product description 4
- setup utility
  - navigating and selecting 72
  - restoring factory settings 73
- slots
  - security cable 6
- solid-state drive
  - removal 39
  - spare part numbers 18, 21, 39
  - specifications 85
- speaker assembly
  - removal 50
  - spare part number 17, 50
- speakers, identifying 11
- special keys, using 12
- specifications
  - computer 83
  - display 84
  - hard drive 84
  - solid-state drive 85
- static-shielding materials 29
- supported discs, recovery 79
- Sure Start
  - using 75
- system board
  - removal 60
  - spare part numbers 17, 60
- system memory, removing personal data from volatile 86
- system recovery 80
- system restore point
  - creating 79
- system restore point, creating 78
- T**
- thermal material, replacement 63
- tools required 25
- top cover
  - removal 44
  - spare part number 17, 44
- TouchPad
  - buttons 9
  - spare part number 17
- TouchPad assembly
  - removal 52
  - spare part number 52
- TouchPad zone
  - identifying 9
- TPM settings 75
- transporting guidelines 28
- traveling with the computer 15
- U**
- USB
  - spare part number 17
- USB 2.0 powered port, identifying 6
- USB 3.x SuperSpeed port, identifying 5
- USB board
  - removal 53
  - spare part number 53
- USB Type-C power connector port, identifying 5
- USB Type-C SuperSpeed port, identifying 5
- V**
- vents, identifying 6, 14
- W**
- webcam
  - product description 2
- webcam module
  - spare part number 19
- Windows
  - system restore point 78, 79
- Windows key, identifying 12
- Windows tools
  - using 79
- wireless antennas
  - disconnecting 35
- wireless certification label 15
- wireless light 10
- wireless, product description 2
- WLAN antennas, identifying 8
- WLAN device 15
- WLAN label 15
- WLAN/Bluetooth combo card
  - removal 35
  - spare part number 18, 35
- workstation guidelines 28