



**Hewlett Packard
Enterprise**

HPE ProLiant DL360 Gen10 Maintenance and Service Guide

Abstract

This guide describes identification and maintenance procedures, diagnostic tools, specifications, and requirements for hardware components and software. This guide is for an experienced service technician. Hewlett Packard Enterprise assumes you are qualified in the servicing of computer equipment, trained in recognizing hazards in products, and are familiar with weight and stability precautions.

Part Number: 869839-003a
Published: December 2017
Edition: 3

Notices

The information contained herein is subject to change without notice. The only warranties for Hewlett Packard Enterprise products and services are set forth in the express warranty statements accompanying such products and services. Nothing herein should be construed as constituting an additional warranty. Hewlett Packard Enterprise shall not be liable for technical or editorial errors or omissions contained herein.

Confidential computer software. Valid license from Hewlett Packard Enterprise required for possession, use, or copying. Consistent with FAR 12.211 and 12.212, Commercial Computer Software, Computer Software Documentation, and Technical Data for Commercial Items are licensed to the U.S. Government under vendor's standard commercial license.

Links to third-party websites take you outside the Hewlett Packard Enterprise website. Hewlett Packard Enterprise has no control over and is not responsible for information outside the Hewlett Packard Enterprise website.

Acknowledgments

Intel[®], Itanium[®], Pentium[®], Intel Inside[®], and the Intel Inside logo are trademarks of Intel Corporation in the United States and other countries.

Microsoft[®] and Windows[®] are either registered trademarks or trademarks of Microsoft Corporation in the United States and/or other countries.

Adobe[®] and Acrobat[®] are trademarks of Adobe Systems Incorporated.

Java[®] and Oracle[®] are registered trademarks of Oracle and/or its affiliates.

UNIX[®] is a registered trademark of The Open Group.

Contents

Illustrated parts catalog	7
Mechanical components.....	7
Access panel spare parts.....	7
PCIe riser cage spare part.....	7
PCIe riser blank spare parts.....	8
Miscellaneous blank spare parts.....	8
Server ear and front bezel spare parts.....	8
Rack mounting hardware spare parts.....	8
Cable management arm spare parts.....	8
System components.....	9
Heatsink spare parts.....	9
Processor spare parts.....	9
DIMM spare parts.....	11
HPE 16GB NVDIMM spare part.....	11
Controller spare parts.....	11
Smart Array controller spare parts.....	11
Host bus adapter spare parts.....	12
Converged network adapter spare parts.....	12
PCIe riser board spare parts.....	13
FlexibleLOM adapter spare parts.....	13
System board assembly spare parts.....	13
Server options.....	13
Fan spare parts.....	14
Power supply spare parts.....	14
Battery spare parts.....	15
Hot-plug drive spare parts.....	15
Solid state NVMe spare parts.....	17
Solid state drive uFF M.2 spare parts.....	17
Solid state drive SAS spare parts.....	17
Solid state drive SATA spare parts.....	18
Systems Insight Display spare parts.....	19
Power switch spare parts.....	19
Universal Media Bay spare parts.....	19
Drive blackplanes spare parts.....	19
Cable kit spare parts.....	20
HPE Trusted Platform Module 2.0 spare part.....	20
Customer self repair	21
Removal and replacement procedures	31
Required tools.....	31
Safety considerations.....	31
Electrostatic discharge.....	31
Server warnings and cautions.....	32
Rack warnings.....	32
Preparation procedures.....	33
Power down the server.....	33
Extend the server from the rack.....	34

Remove the server from the rack.....	34
Remove the access panel.....	35
Releasing the cable management arm	35
Removing and replacing the bezel.....	36
Removing the hard drive blank.....	36
Removing a SAS/SATA drive	37
Removing and replacing an NVMe drive.....	37
Removing and replacing an M.2 SSD.....	38
Removing and replacing a uFF drive.....	38
Removing and replacing a power supply blank.....	39
Removing and replacing the AC power supply.....	40
Removing and replacing a fan.....	40
Removing and replacing a fan blank.....	41
Removing and replacing a PCIe blank.....	42
Removing and replacing a riser cage.....	45
Removing and replacing a primary riser card.....	47
Removing and replacing an expansion board.....	48
Removing and replacing the intrusion detection switch.....	50
Removing and replacing the intrusion detection switch.....	50
Removing and replacing a GPU in the primary riser.....	51
Removing and replacing a GPU in the secondary riser.....	53
Removing and replacing the FlexibleLOM.....	54
Removing and replacing a storage controller.....	55
Removing and replacing a DIMM.....	56
Removing and replacing an NVDIMM.....	57
DIMM and NVDIMM population information.....	58
NVDIMM sanitization.....	58
NVDIMM relocation guidelines.....	59
Recovering restored data from an NVDIMM-N DRAM.....	60
Configuring the server for NVDIMMs	60
Removing and replacing the system battery.....	61
Removing and replacing the Smart Storage Battery.....	62
Removing and replacing a processor heatsink assembly.....	64
Removing and replacing the system board.....	66
Removing and replacing the LFF optical disk drive/display port/USB.....	67
Removing and replacing the SFF optical disk drive/display port/USB.....	69
Removing and replacing the LFF power switch module.....	71
Removing and replacing the Systems Insight Display power module.....	72
Removing and replacing the rear SFF drive cage.....	74
Removing and replacing the 2SFF drive cage.....	76
Removing and replacing the 4LFF drive backplane.....	77
Removing and replacing the 8SFF drive backplane.....	78
Removing and replacing the 10SFF drive backplane.....	79
HPE Trusted Platform Module 2.0 Gen10 Option.....	80

Troubleshooting.....81

Troubleshooting resources.....	81
--------------------------------	----

Diagnostic tools.....82

Product QuickSpecs.....	82
UEFI System Utilities.....	82
Selecting the boot mode	82
Secure Boot.....	83
Launching the Embedded UEFI Shell	83

Intelligent Provisioning.....	84
Intelligent Provisioning operation.....	84
HPE Insight Remote Support.....	85
USB support.....	86
External USB functionality.....	86
HPE Smart Storage Administrator.....	86
Component identification.....	87
Front panel components.....	87
Front panel LEDs and buttons.....	88
UID button functionality.....	91
Front panel LED power fault codes.....	91
Systems Insight Display LEDs.....	91
Systems Insight Display combined LED descriptions.....	92
Rear panel components.....	94
Rear panel LEDs.....	95
System board components.....	96
System maintenance switch descriptions.....	97
NMI functionality.....	98
DIMM slot locations.....	98
DIMM label identification.....	99
NVDIMM identification.....	100
NVDIMM 2D Data Matrix barcode.....	101
NVDIMM LED identification.....	101
NVDIMM-N LED combinations.....	101
NVDIMM Function LED patterns.....	102
Device numbers.....	102
Hot-plug drive LED definitions.....	103
NVMe SSD components.....	104
uFF drive components and LEDs.....	106
Hot-plug fans.....	107
Cabling.....	109
Cabling overview	109
SFF cables.....	109
SFF configuration cable routing.....	110
8 SFF backplane to P408i-a controller.....	110
2 SFF backplane to P816i-a controller.....	110
2 SFF NVMe backplane to primary riser.....	111
1 SFF rear backplane to system board SATA.....	111
Additional SFF cabling.....	111
LFF cables.....	112
LFF configuration cable routing.....	112
4 LFF backplane to P408i-a controller.....	112
Additional LFF cabling.....	112
Specifications.....	114
Environmental specifications.....	114
Server specifications.....	114
Power supply specifications.....	115
HPE 500W Flex Slot Platinum Hot Plug Low Halogen Power Supply.....	115
HPE 800W Flex Slot Platinum Hot Plug Low Halogen Power Supply.....	116
HPE 800W Flex Slot Titanium Hot Plug Low Halogen Power Supply.....	117

HPE 800W Flex Slot Universal Hot Plug Low Halogen Power Supply.....	118
HPE 800W Flex Slot -48VDC Hot Plug Low Halogen Power Supply.....	118
HPE 1600W Flex Slot Platinum Hot Plug Low Halogen Power Supply.....	120
Hot-plug power supply calculations.....	120

Documentation feedback..... 121

Websites..... 122

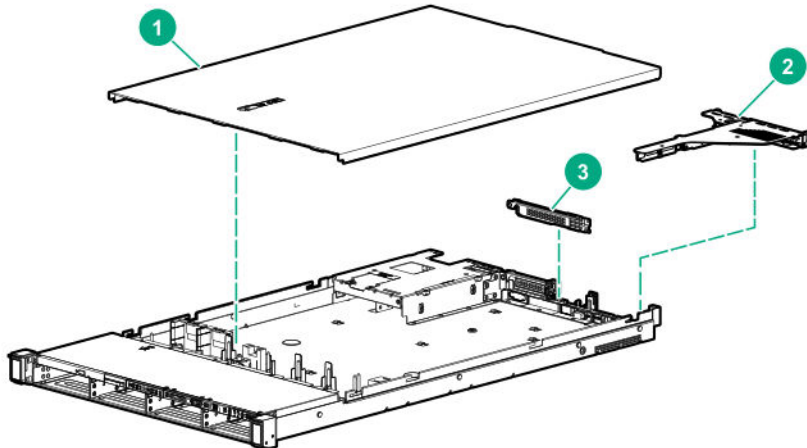
Support and other resources..... 123

Accessing Hewlett Packard Enterprise Support.....	123
Accessing updates.....	123
Customer self repair.....	124
Remote support.....	124
Warranty information.....	124
Regulatory information.....	125
Documentation feedback.....	125

Illustrated parts catalog

Mechanical components

Hewlett Packard Enterprise continually improves and changes product parts. For complete and current supported parts information, see the [Hewlett Packard Enterprise PartSurfer website](#).



Item	Description
1	Access panel spare parts on page 7
2	PCIe riser cage spare part on page 7
3	PCIe riser blank spare parts on page 8
4	Miscellaneous blank spare parts on page 8*
5	Server ear and front bezel spare parts on page 8*
6	Rack mounting hardware spare parts on page 8*
7	Cable management arm spare parts on page 8*

*Not shown

Access panel spare parts

[Customer self repair](#) on page 124: **mandatory**

Description	Spare part number
Access panel	875536-001

PCIe riser cage spare part

[Customer self repair](#) on page 124: **optional**

Description	Spare part number
Assembly, secondary riser x16 LP	875539-001
Assembly, secondary riser x16 FH	875540-001

For primary riser board spares, see [PCIe riser board spare parts](#) on page 13

PCIe riser blank spare parts

[Customer self repair](#) on page 124: mandatory

Description	Spare part number
PCIe riser blank, slotted	875537-001

Miscellaneous blank spare parts

[Customer self repair](#) on page 124: mandatory

Description	Spare part number
Miscellaneous blanks kit	775423-001

Server ear and front bezel spare parts

[Customer self repair](#) on page 124: mandatory

Description	Spare part number
Left ear	875541-001
Right ear	875542-001
1U Bezel	875561-001

Rack mounting hardware spare parts

[Customer self repair](#) on page 124: mandatory

Description	Spare part number
SFF Easy Install Rail kit	875544-001
LFF Easy Install Rail kit	744112-001
SFF Ball Bearing Rail kit	875543-001
LFF Ball Bearig Rail kit	675041-001

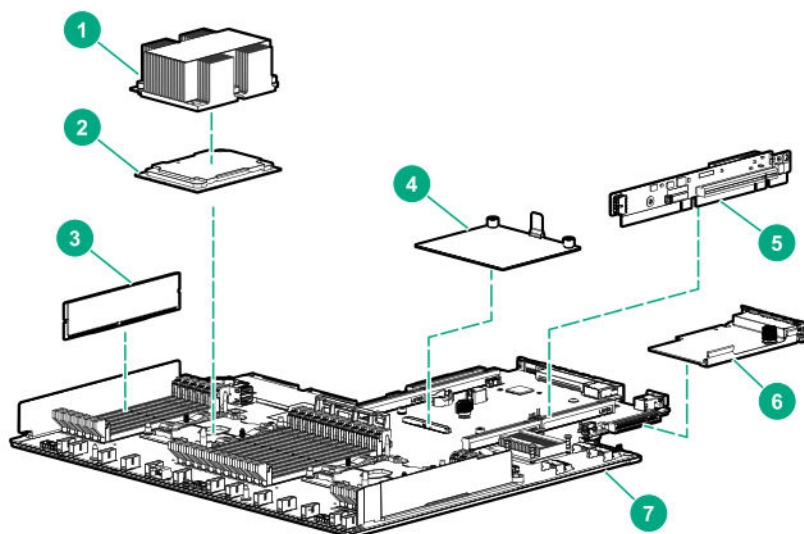
Cable management arm spare parts

[Customer self repair](#) on page 124: mandatory

Description	Spare part number
Easy Install Cable Management Arm	744113-001

System components

Hewlett Packard Enterprise continually improves and changes product parts. For complete and current supported parts information, see the [Hewlett Packard Enterprise PartSurfer website](#).



Item	Description
1	Heatsink spare parts on page 9
2	Processor spare parts on page 9
3	DIMM spare parts on page 11
4	Smart Array controller spare parts on page 11
5	PCIe riser board spare parts on page 13
6	FlexibleLOM adapter spare parts on page 13
7	System board assembly spare parts on page 13

Heatsink spare parts

Customer self repair on page 124: **No**

Description	Spare part number
Standard heatsink	872452-001
Performance heatsink	872453-001

Processor spare parts

Customer self repair on page 124: **No**

Description	Spare part number
1.7GHz Intel Xeon-B 3104 processor (85W)	875709-001
1.7GHz Intel Xeon-B 3106 processor (85W)	875710-001
1.8GHz Intel Xeon-S 4108 processor (85W)	875712-001
2.1GHz Intel Xeon-S 4110 processor (85W)	875711-001
2.6GHz Intel Xeon-S 4112 processor (85W)	875714-001
2.2GHz Intel Xeon-S 4114 processor (85W)	875713-001
2.1GHz Intel Xeon-S 4116 processor (85W)	875716-001
2.4GHz Intel Xeon-G 5115 processor (85W)	878082-001
2.3GHz Intel Xeon-G 5118 processor (105W)	875717-001
2.2GHz Intel Xeon-G 5120 processor (105W)	875718-001
3.6GHz Intel Xeon-G 5122 processor (105W)	875719-001
2.6GHz Intel Xeon-G 6126 processor (125W)	875720-001
3.4GHz Intel Xeon-G 6128 processor (115W)	875721-001
2.1GHz Intel Xeon-G 6130 processor (125W)	874736-001
2.6GHz Intel Xeon-G 6132 processor (140W)	875722-001
3.2GHz Intel Xeon-G 6134 processor (130W)	875723-001
3.2GHz Intel Xeon-G 6134M processor (130W)	878083-001
3.0GHz Intel Xeon-G 6136 processor (150W)	875724-001
2.0GHz Intel Xeon-G 6138 processor (125W)	874735-001
2.3GHz Intel Xeon-G 6140 processor (140W)	874734-001
2.3GHz Intel Xeon-G 6140M processor (140W)	878084-001
2.6GHz Intel Xeon-G 6142 processor (150W)	874733-001
2.6GHz Intel Xeon-G 6142M processor (150W)	878085-001
2.8GHz Intel Xeon-G 6143 processor (205W)	882169-001
3.6GHz Intel Xeon-G 6144 processor (165W)	875725-001
3.4GHz Intel Xeon-G 6146 processor (165W)	875726-001
2.4GHz Intel Xeon-G 6148 processor (150W)	874732-001
2.7GHz Intel Xeon-G 6150 processor (165W)	874731-001
2.1GHz Intel Xeon-G 6152 processor (140W)	874730-001
3.0GHz Intel Xeon-G 6154 processor (200W)	875727-001
2.0GHz Intel Xeon-P 8153 processor (125W)	875728-001
3.6GHz Intel Xeon-P 8156 processor (105W)	875732-001
3.0GHz Intel Xeon-P 8158 processor (150W)	875733-001

Table Continued

Description	Spare part number
2.1GHz Intel Xeon-P 8160 processor (150W)	874729-001
2.1GHz Intel Xeon-P 8160M processor (150W)	878086-001
2.0GHz Intel Xeon-P 8164 processor (150W)	875729-001
2.3GHz Intel Xeon-P 8165 processor (205W)	P00868-001
2.7GHz Intel Xeon-P 8168 processor (205W)	875730-001
2.1GHz Intel Xeon-P 8170 processor (165W)	874728-001
2.1GHz Intel Xeon-P 8170M processor (165W)	878087-001
2.1GHz Intel Xeon-P 8176 processor (165W)	874727-001
2.1GHz Intel Xeon-P 8176M processor (165W)	878088-001
2.5GHz Intel Xeon-P 8180 processor (205W)	875731-001
2.5GHz Intel Xeon-P 8180M processor (205W)	878089-001

DIMM spare parts

Customer self repair on page 124: **mandatory**

Description	Spare part number
8GB, 2Rx8, PC4-2666V-R	878490-001
8GB, 1Gx8, PC4-2666V-R	850879-001
16GB, 2Gx4, PC4-2666V-R	850880-001
16GB, 1Gx8 PC4-2666V-R	868846-001
32GB, 2Gx4, PC4-2666V-R	850881-001
64GB, 2Gx4, PC4-2666V-L	850882-001
128GB, 8Rx4, PC4-2666V-L	850883-001

HPE 16GB NVDIMM spare part

Customer self repair on page 21: **mandatory**

Description	Spare part number
NVDIMM 16GB 1Rx4 NN4-2666V-R	874540-001

Controller spare parts

Smart Array controller spare parts

Customer self repair on page 124: **mandatory**

Description	Spare part number
HPE Smart Array E208i-a SR Gen10 Controller	836259-001
HPE Smart Array E208i-a LH SR Gen10 Controller	871039-001
HPE Smart Array P408i-a SR Gen10 Controller	836260-001
HPE Smart Array P408i-a LH SR Gen10 Controller	871040-001
HPE Smart Array P816i-a SR Gen10 Controller	836261-001
HPE Smart Array E208i-p SR Gen10 Controller	836266-001
HPE Smart Array E208e-p SR Gen10 Controller	836267-001
HPE Smart Array P408i-p SR Gen10 Controller	836269-001
HPE Smart Array P408e-p SR Gen10 Controller	836270-001
HPE Smart Array P816i-p SR Gen10 Controller	836271-001

Host bus adapter spare parts

Customer self repair on page 21: **mandatory**

Description	Spare part number
HPE SN1600Q 32Gb 1p FC HBA	868140-001
HPE SN1600Q 32Gb 2p FC HBA	868141-001
HPE SN1600E 32Gb 2p FC HBA	869999-001
HPE 81Q PCI-e FC HBA	489190-001
HPE SN1200E 16Gb 1p FC HBA	870001-001
HPE SN1200E 16Gb 2p FC HBA	870002-001
HPE 82Q 8Gb Dual Port PCI-e FC HBA	489191-001
HPE StoreFabric SN1100E 4p 16Gb FC HBA	853008-001
HPE StoreFabric 84E 4-port 8Gb FC HBA	780686-001
HPE 81E 8Gb SP PCI-e FC HBA	697889-001
HPE 82E 8Gb Dual-port PCI-e FC HBA	697890-001
HPE StoreFabric 84Q 4p 8Gb FC HBA	853009-001
HPE SN1100Q 16Gb 1p FC HBA	863010-001
HPE SN1100Q 16Gb 2p FC HBA	853011-001

Converged network adapter spare parts

Customer self repair on page 21: **mandatory**

Description	Spare part number
HPE CN1100R 2P Converged Network Adapter	706801-001
HPE StoreFabric CN1100R-T 10Gb Converged Network Adapter	872605-001
HPE StoreFabric CN1200E 10Gb Converged Network Adapter	767078-001
HPE StoreFabric CN1200E-T 10Gb Converged Network Adapter	827607-001

PCIe riser board spare parts

Customer self repair on page 124: **optional**

Description	Spare part number
Primary riser board, x16 x8, GPU	875545-001
Primary riser board, x16 x8 + PCIe M.2	875546-001
Primary riser board, x16 x16 + SATA M.2	875547-001
Primary riser board, x16 x8, GPU, 2x4 NVMe ports	875548-001
Secondary riser board, 8x4/2x4 NVMe ports	875549-001

FlexibleLOM adapter spare parts

Customer self repair on page 21: **mandatory**

Description	Spare part number
HPE InfiniBand FDR/EN 40Gb 2-port, 544+ FLR-QSFP Adapter	764737-001
HPE InfiniBand FDR/EN 40Gb 2-port, 544+ QSFP Adapter	764736-001

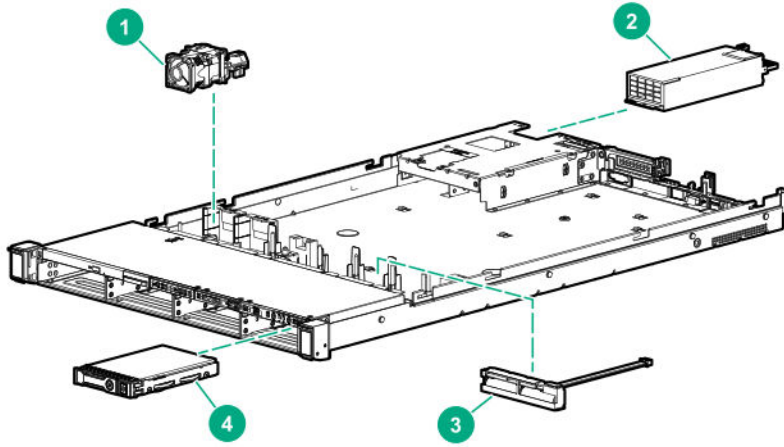
System board assembly spare parts

Customer self repair on page 124: **optional**

Description	Spare part number
System board assembly	875552-001

Server options

Hewlett Packard Enterprise continually improves and changes product parts. For complete and current supported parts information, see the [Hewlett Packard Enterprise PartSurfer website](#).



Item	Description
1	Fan spare parts on page 14
2	Power supply spare parts on page 14
3	Battery spare parts on page 15
4	Hot-plug drive spare parts on page 15
5	Solid state NVMe spare parts on page 17*
6	Solid state drive uFF M.2 spare parts on page 17*
7	Solid state drive SAS spare parts on page 17*
8	Solid state drive SATA spare parts on page 18*
9	Systems Insight Display spare parts on page 19*
10	Universal Media Bay spare parts on page 19*
11	Drive blackplanes spare parts on page 19*
12	Cable kit spare parts on page 20*

* Not shown

Fan spare parts

Customer self repair on page 124: mandatory

Description	Spare part number
Standard fans	875283-001
High-performance fans	875284-001

Power supply spare parts

Customer self repair on page 124: mandatory

Description	Spare part number
800W Flex-slot 277VDC	866727-001
800W Flex-slot 48VDC	866728-001
500W Flex-slot Platinum	866729-001
800W Flex-slot Platinum	866730-001
800W Flex-slot High Efficiency Titanium 96%	866793-001
1600W Flex-slot Platinum	863373-001

Battery spare parts

Customer self repair on page 124: **mandatory**

Description	Spare part number
Smart Storage Battery	878643-001
System battery	319603-001

Hot-plug drive spare parts

Customer self repair on page 21: **mandatory**

Description	Spare part number
1TB SAS 7.2K SFF SC DS HDD	832984-001
1TB SAS 7.2K SFF SC 512e DS HDD	765872-001
1TB SATA 7.2K LFF SC DS HDD	862128-001
1TB SAS 7.2K LFF SC DS HDD	846612-001
1TB SATA 7.2K SFF SC 512e DS HDD	765868-001
1TB SATA 7.2K SFF SC DS HDD	656108-001
2TB SAS 7.2K SFF SC 512e DS HDD	765873-001
2TB SAS 12G 7.2K LFF SC DS HDD	872744-001
2TB SAS 7.2K LFF SC HDD	819078-001
2TB SATA 7.2K 6G LFF SC DS HDD	872771-001
2TB SATA 7.2K LFF SC HDD	862126-001
2TB SATA 7.2K SFF SC 512e DS HDD	765869-001
3TB SATA 7.2K LFF SC DS HDD	862129-001
3TB SAS 7.2K LFF SC DS HDD	846614-001
4TB SAS 7.2K LFF SC 512e DS HDD	862141-001
4TB SAS 12G 7.2K LFF SC DS HDD	872745-001

Table Continued

Description	Spare part number
4TB SAS 7.2K LFF SC HDD	819079-001
4TB SATA 7.2K 6G LFF SC DS HDD	872772-001
4TB SATA 7.2K LFF SC HDD	862127-001
4TB SATA 7.2K LFF SC 512e DS HDD	862139-001
6TB SATA 7.2K LFF SC DS HDD	846608-001
6TB SATA 7.2K LFF SC 512e DS HDD	862138-001
6TB SAS 7.2K LFF SC 512e DS HDD	862140-001
8TB SATA 7.2K LFF SC He 512e DS HDD	861609-001
8TB SATA 7.2K LFF SC 512e DS HDD	820033-001
10TB SATA 7.2K LFF SC He 512e DS HDD	857967-001
6TB SAS 7.2K LFF SC DS HDD	846610-001
8TB SAS 7.2K LFF SC He 512e DS HDD	861607-001
8TB SAS 7.2K LFF SC 512e DS HDD	820032-001
10TB SAS 7.2K LFF SC He 512e DS HDD	857965-001
300GB SAS 10k SFF SC HDD	785410-001
300GB SAS 10K SFF SC DS HDD	872735-001
600GB SAS 10K SFF SC DS HDD	872736-001
600GB SAS 10K SFF SC HDD	781577-001
900GB SAS 10K SFF SC HDD	785411-001
1.2TB SAS 10K SFF SC HDD	781578-001
1.2TB SAS 10K SFF SC DS HDD	872737-001
1.8TB SAS 10K SFF SC 512e DS HDD	872738-001
1.8TB SAS 10K SFF SC 512e HDD	791055-001
300GB SAS 15K SFF SC HDD	759546-001
300GB SAS 15K SFF SC DS HDD	870792-001
450GB SAS 15K SFF SC HDD	759547-001
600GB SAS 15K SFF SC DS HDD	870794-001
600GB SAS 15K SFF SC 512e DS HDD	870797-001
600GB SAS 15K SFF SC HDD	759548-001
600GB SAS 15K SFF SC 512e HDD	748435-001
900GB SAS 15K SFF SC DS HDD	870795-001
900GB SAS 15K SFF SC 512e DS HDD	870798-001

Solid state NVMe spare parts

Customer self repair on page 21: mandatory

Description	Spare part number
400GB NVMe x4 WI SFF SC SSD	765059-001
400GB NVMe x4 RI SFF SCN SSD	765067-001
400GB NVMe x4 MU SFF SCN SSD	765063-001
800GB NVMe x4 WI SFF SCN SSD	765060-001
800GB NVMe x4 MU SFF SCN SSD	765064-001
1.2TB NVMe x4 RI SFF SCN SSD	765068-001
1.6TB NVMe x4 WI SFF SCN SSD	765061-001
1.6TB NVMe x4 MU SFF SCN SSD	765065-001
2TB NVMe x4 MU SFF SCN SSD	765066-001
2TB NVMe x4 RI SFF SCN SSD	765069-001
2TB NVMe x4 WI SFF SCN SSD	765062-001

Solid state drive uFF M.2 spare parts

Customer self repair on page 21: mandatory

Description	Spare part number
120GB SATA RI uFF Dual M.2 Kit	831995-001
120GB SATA RI uFF M.2 Kit	781565-001
340GB SATA RI uFF Dual M.2 Kit	781566-001
340GB SATA RI uFF M.2 Kit	781566-001

Solid state drive SAS spare parts

Customer self repair on page 21: mandatory

Description	Spare part number
400GB SAS MU SFF SC SSD	822784-001
480GB SAS RI SFF SC SSD	817047-001
800GB SAS MU SFF SC SSD	822786-001
960GB SAS RI SFF SC SSD	817049-001
1.6TB SAS MU SFF SC SSD	822788-001
1.92TB SAS RI SFF SC SSD	817051-001

Table Continued

Description	Spare part number
3.2TB SAS MU SFF SC SSD	822790-001
3.84TB SAS RI SFF SC SSD	817053-001

Solid state drive SATA spare parts

Customer self repair on page 21: **mandatory**

Description	Spare part number
150GB SATA 6G RI SFF SC DS SSD	869575-001
200GB SATA WI SFF SC SSD	805385-001
200GB SATA WI LFF SCC SSD	805386-001
240GB SATA 6G RI SFF SC DS SSD	868924-001
240GB SATA 6G RI SFF SC DS SSD	869576-001
400GB SATA 6G WI SFF SC DS SSD	872512-001
400GB SATA 6G WI LFF SCC DS SSD	872513-001
400GB SATA WI SFF SC SSD	805387-001
400GB SATA WI LFF SCC SSD	805388-001
480GB SATA 6G RI SFF SC DS SSD	868926-001
480GB SATA 6G MU SFF SC DS SSD	872518-001
480GB SATA 6G MU LFF SCC DS SSD	872519-001
480GB SATA 6G RI SFF SC DS SSD	869577-001
480GB SATA 6G RI LFF SCC DS SSD	869578-001
800GB SATA 6G WI SFF SC DS SSD	872514-001
800GB SATA 6G WI LFF SCC DS SSD	872515-001
800GB SATA WI SFF SC SSD	805389-001
800GB SATA WI LFF SCC SSD	805390-001
960GB SATA 6G RI SFF SC DS SSD	868928-001
960GB SATA 6G RI SFF SC DS SSD	869580-001
960GB SATA 6G MU SFF SC DS SSD	872520-001
960GB SATA 6G MU LFF SCC DS SSD	872521-001
1.2TB SATA WI SFF SC SSD	805391-001
1.2TB SATA WI LFF SCC SSD	805392-001
1.6TB SATA 6G WI SFF SC DS SSD	872516-001
1.6TB SATA 6G WI LFF SCC DS SSD	872517-001

Table Continued

Description	Spare part number
1.6TB SATA 6G RI SFF SC DS SSD	869581-001
1.6TB SATA 6G RI LFF SCC DS SSD	869582-001
1.92TB SATA 6G RI SFF SC DS SSD	868930-001
1.92TB SATA 6G MU SFF SC DS SSD	872522-001
3.84TB SATA 6G RI SFF SC DS SSD	868932-001

Systems Insight Display spare parts

Customer self repair on page 124: **mandatory**

Description	Spare part number
SFF Systems Insight Display	875563-001
LFF Systems Insight Display	875564-001

Power switch spare parts

Customer self repair on page 124: **mandatory**

Description	Spare part number
SFF Power/UID power switch	875565-001
LFF Power/UID power switch	783291-001

Universal Media Bay spare parts

Customer self repair on page 124: **mandatory**

Description	Spare part number
SFF display port/USB/Optical disk drive blank	875560-001
LFF display port/USB Option	875562-001

Drive blackplanes spare parts

Customer self repair on page 124: **mandatory**

Description	Spare part number
2SFF drive cage only for 10SFF	875553-001
2SFF SAS/SATA drive backplane plus cage assembly	875554-001
2SFF NVMe drive backplane plus cage assembly	875555-001
10SFF NVMe/SAS/SATA drive backplane	875556-001

Table Continued

Description	Spare part number
2SFF Dual port drive backplane	875557-001
1SFF rear drive backplane plus cage assembly	875558-001
4LFF drive backplane	775402-001
8SFF drive backplane	780428-001

Cable kit spare parts

Customer self repair on page 124: **mandatory**

Description	Spare part number
2SFF/8SFF cables kit	875566-001
10SFF cables kit	875567-001
4LFF backplane power cable	875568-001
1SFF rear backplane SATA	875569-001
4LFF Mini-SAS cable kit	875572-001
SFF/2SFF Mini-SAS cable kit	875573-001
10SFF NVMe cable kit	875574-001
Intrusion Detection switch cable	875570-001
Serial port cable	875571-001

HPE Trusted Platform Module 2.0 spare part

Customer self repair on page 21: **no**

Description	Spare part number
HPE Trusted Platform Module 2.0 Gen 10 kit, TAA	872159-001

Customer self repair

Hewlett Packard Enterprise products are designed with many Customer Self Repair (CSR) parts to minimize repair time and allow for greater flexibility in performing defective parts replacement. If during the diagnosis period Hewlett Packard Enterprise (or Hewlett Packard Enterprise service providers or service partners) identifies that the repair can be accomplished by the use of a CSR part, Hewlett Packard Enterprise will ship that part directly to you for replacement. There are two categories of CSR parts:

- **Mandatory**—Parts for which customer self repair is mandatory. If you request Hewlett Packard Enterprise to replace these parts, you will be charged for the travel and labor costs of this service.
- **Optional**—Parts for which customer self repair is optional. These parts are also designed for customer self repair. If, however, you require that Hewlett Packard Enterprise replace them for you, there may or may not be additional charges, depending on the type of warranty service designated for your product.

NOTE: Some Hewlett Packard Enterprise parts are not designed for customer self repair. In order to satisfy the customer warranty, Hewlett Packard Enterprise requires that an authorized service provider replace the part. These parts are identified as "No" in the Illustrated Parts Catalog.

Based on availability and where geography permits, CSR parts will be shipped for next business day delivery. Same day or four-hour delivery may be offered at an additional charge where geography permits. If assistance is required, you can call the Hewlett Packard Enterprise Support Center and a technician will help you over the telephone. Hewlett Packard Enterprise specifies in the materials shipped with a replacement CSR part whether a defective part must be returned to Hewlett Packard Enterprise. In cases where it is required to return the defective part to Hewlett Packard Enterprise, you must ship the defective part back to Hewlett Packard Enterprise within a defined period of time, normally five (5) business days. The defective part must be returned with the associated documentation in the provided shipping material. Failure to return the defective part may result in Hewlett Packard Enterprise billing you for the replacement. With a customer self repair, Hewlett Packard Enterprise will pay all shipping and part return costs and determine the courier/carrier to be used.

For more information about the Hewlett Packard Enterprise CSR program, contact your local service provider. For the North American program, go to the [Hewlett Packard Enterprise CSR website](#).

Parts only warranty service

Your Hewlett Packard Enterprise Limited Warranty may include a parts only warranty service. Under the terms of parts only warranty service, Hewlett Packard Enterprise will provide replacement parts free of charge.

For parts only warranty service, CSR part replacement is mandatory. If you request Hewlett Packard Enterprise to replace these parts, you will be charged for the travel and labor costs of this service.

Réparation par le client (CSR)

Les produits Hewlett Packard Enterprise comportent de nombreuses pièces CSR (Customer Self Repair = réparation par le client) afin de minimiser les délais de réparation et faciliter le remplacement des pièces défectueuses. Si pendant la période de diagnostic, Hewlett Packard Enterprise (ou ses partenaires ou mainteneurs agréés) détermine que la réparation peut être effectuée à l'aide d'une pièce CSR, Hewlett Packard Enterprise vous l'envoie directement. Il existe deux catégories de pièces CSR :

- **Obligatoire**—Pièces pour lesquelles la réparation par le client est obligatoire. Si vous demandez à Hewlett Packard Enterprise de remplacer ces pièces, les coûts de déplacement et main d'œuvre du service vous seront facturés.
- **Facultatif**—Pièces pour lesquelles la réparation par le client est facultative. Ces pièces sont également conçues pour permettre au client d'effectuer lui-même la réparation. Toutefois, si vous demandez à

Hewlett Packard Enterprise de remplacer ces pièces, l'intervention peut ou non vous être facturée, selon le type de garantie applicable à votre produit.

REMARQUE: Certaines pièces Hewlett Packard Enterprise ne sont pas conçues pour permettre au client d'effectuer lui-même la réparation. Pour que la garantie puisse s'appliquer, Hewlett Packard Enterprise exige que le remplacement de la pièce soit effectué par un Mainteneur Agréé. Ces pièces sont identifiées par la mention "Non" dans le Catalogue illustré.

Les pièces CSR sont livrées le jour ouvré suivant, dans la limite des stocks disponibles et selon votre situation géographique. Si votre situation géographique le permet et que vous demandez une livraison le jour même ou dans les 4 heures, celle-ci vous sera facturée. Pour toute assistance, appelez le Centre d'assistance Hewlett Packard Enterprise pour qu'un technicien vous aide au téléphone. Dans les documents envoyés avec la pièce de rechange CSR, Hewlett Packard Enterprise précise s'il est nécessaire de lui retourner la pièce défectueuse. Si c'est le cas, vous devez le faire dans le délai indiqué, généralement cinq (5) jours ouvrés. La pièce et sa documentation doivent être retournées dans l'emballage fourni. Si vous ne retournez pas la pièce défectueuse, Hewlett Packard Enterprise se réserve le droit de vous facturer les coûts de remplacement. Dans le cas d'une pièce CSR, Hewlett Packard Enterprise supporte l'ensemble des frais d'expédition et de retour, et détermine la société de courses ou le transporteur à utiliser.

Pour plus d'informations sur le programme CSR de Hewlett Packard Enterprise, contactez votre Mainteneur Agréé local. Pour plus d'informations sur ce programme en Amérique du Nord, consultez le site [**Web Hewlett Packard Enterprise**](#).

Service de garantie "pièces seules"

Votre garantie limitée Hewlett Packard Enterprise peut inclure un service de garantie "pièces seules". Dans ce cas, les pièces de rechange fournies par Hewlett Packard Enterprise ne sont pas facturées.

Dans le cadre de ce service, la réparation des pièces CSR par le client est obligatoire. Si vous demandez à Hewlett Packard Enterprise de remplacer ces pièces, les coûts de déplacement et main d'œuvre du service vous seront facturés.

Riparazione da parte del cliente

Per abbreviare i tempi di riparazione e garantire una maggiore flessibilità nella sostituzione di parti difettose, i prodotti Hewlett Packard Enterprise sono realizzati con numerosi componenti che possono essere riparati direttamente dal cliente (CSR, Customer Self Repair). Se in fase di diagnostica Hewlett Packard Enterprise (o un centro di servizi o di assistenza Hewlett Packard Enterprise) identifica il guasto come riparabile mediante un ricambio CSR, Hewlett Packard Enterprise lo spedisce direttamente al cliente per la sostituzione. Vi sono due categorie di parti CSR:

- **Obbligatorie**—Parti che devono essere necessariamente riparate dal cliente. Se il cliente ne affida la riparazione ad Hewlett Packard Enterprise, deve sostenere le spese di spedizione e di manodopera per il servizio.
- **Opzionali**—Parti la cui riparazione da parte del cliente è facoltativa. Si tratta comunque di componenti progettati per questo scopo. Se tuttavia il cliente ne richiede la sostituzione ad Hewlett Packard Enterprise, potrebbe dover sostenere spese addizionali a seconda del tipo di garanzia previsto per il prodotto.

NOTA: alcuni componenti Hewlett Packard Enterprise non sono progettati per la riparazione da parte del cliente. Per rispettare la garanzia, Hewlett Packard Enterprise richiede che queste parti siano sostituite da un centro di assistenza autorizzato. Tali parti sono identificate da un "No" nel Catalogo illustrato dei componenti.

In base alla disponibilità e alla località geografica, le parti CSR vengono spedite con consegna entro il giorno lavorativo seguente. La consegna nel giorno stesso o entro quattro ore è offerta con un supplemento di costo solo in alcune zone. In caso di necessità si può richiedere l'assistenza telefonica di un addetto del centro di supporto tecnico Hewlett Packard Enterprise. Nel materiale fornito con una parte di ricambio CSR, Hewlett Packard Enterprise specifica se il cliente deve restituire dei componenti. Qualora sia richiesta la resa ad Hewlett Packard Enterprise del componente difettoso, lo si deve spedire ad Hewlett Packard Enterprise entro un determinato periodo di tempo, generalmente cinque (5) giorni lavorativi. Il componente difettoso deve

essere restituito con la documentazione associata nell'imballo di spedizione fornito. La mancata restituzione del componente può comportare la fatturazione del ricambio da parte di Hewlett Packard Enterprise. Nel caso di riparazione da parte del cliente, Hewlett Packard Enterprise sostiene tutte le spese di spedizione e resa e sceglie il corriere/vettore da utilizzare.

Per ulteriori informazioni sul programma CSR di Hewlett Packard Enterprise, contattare il centro di assistenza di zona. Per il programma in Nord America fare riferimento **al sito Web**.

Servizio di garanzia per i soli componenti

La garanzia limitata Hewlett Packard Enterprise può includere un servizio di garanzia per i soli componenti. Nei termini di garanzia del servizio per i soli componenti, Hewlett Packard Enterprise fornirà gratuitamente le parti di ricambio.

Per il servizio di garanzia per i soli componenti è obbligatoria la formula CSR che prevede la riparazione da parte del cliente. Se il cliente invece richiede la sostituzione ad Hewlett Packard Enterprise dovrà sostenere le spese di spedizione e di manodopera per il servizio.

Customer Self Repair

Hewlett Packard Enterprise Produkte enthalten viele CSR-Teile (Customer Self Repair), um Reparaturzeiten zu minimieren und höhere Flexibilität beim Austausch defekter Bauteile zu ermöglichen. Wenn Hewlett Packard Enterprise (oder ein Hewlett Packard Enterprise Servicepartner) bei der Diagnose feststellt, dass das Produkt mithilfe eines CSR-Teils repariert werden kann, sendet Ihnen Hewlett Packard Enterprise dieses Bauteil zum Austausch direkt zu. CSR-Teile werden in zwei Kategorien unterteilt:

- **Zwingend**—Teile, für die das Customer Self Repair-Verfahren zwingend vorgegeben ist. Wenn Sie den Austausch dieser Teile von Hewlett Packard Enterprise vornehmen lassen, werden Ihnen die Anfahrt- und Arbeitskosten für diesen Service berechnet.
- **Optional**—Teile, für die das Customer Self Repair-Verfahren optional ist. Diese Teile sind auch für Customer Self Repair ausgelegt. Wenn Sie jedoch den Austausch dieser Teile von Hewlett Packard Enterprise vornehmen lassen möchten, können bei diesem Service je nach den für Ihr Produkt vorgesehenen Garantiebedingungen zusätzliche Kosten anfallen.

HINWEIS: Einige Hewlett Packard Enterprise Teile sind nicht für Customer Self Repair ausgelegt. Um den Garantieanspruch des Kunden zu erfüllen, muss das Teil von einem Hewlett Packard Enterprise Servicepartner ersetzt werden. Im illustrierten Teilekatalog sind diese Teile mit „No“ bzw. „Nein“ gekennzeichnet.

CSR-Teile werden abhängig von der Verfügbarkeit und vom Lieferziel am folgenden Geschäftstag geliefert. Für bestimmte Standorte ist eine Lieferung am selben Tag oder innerhalb von vier Stunden gegen einen Aufpreis verfügbar. Wenn Sie Hilfe benötigen, können Sie das Hewlett Packard Enterprise Support Center anrufen und sich von einem Mitarbeiter per Telefon helfen lassen. Die Materialien von Hewlett Packard Enterprise, die mit einem CSR-Ersatzteil geliefert werden, können Sie entnehmen, ob das defekte Teil an Hewlett Packard Enterprise zurückgeschickt werden muss. Wenn es erforderlich ist, das defekte Teil an Hewlett Packard Enterprise zurückzuschicken, müssen Sie dies innerhalb eines vorgegebenen Zeitraums tun, in der Regel innerhalb von fünf (5) Geschäftstagen. Das defekte Teil muss mit der zugehörigen Dokumentation in der Verpackung zurückgeschickt werden, die im Lieferumfang enthalten ist. Wenn Sie das defekte Teil nicht zurückschicken, kann Hewlett Packard Enterprise Ihnen das Ersatzteil in Rechnung stellen. Im Falle von Customer Self Repair kommt Hewlett Packard Enterprise für alle Kosten für die Lieferung und Rücksendung auf und bestimmt den Kurier-/Frachtdienst.

Weitere Informationen über das Hewlett Packard Enterprise Customer Self Repair Programm erhalten Sie von Ihrem Servicepartner vor Ort. Informationen über das CSR-Programm in Nordamerika finden Sie auf der **Hewlett Packard Enterprise Website unter**.

Parts-only Warranty Service (Garantieservice ausschließlich für Teile)

Ihre Hewlett Packard Enterprise Garantie umfasst möglicherweise einen Parts-only Warranty Service (Garantieservice ausschließlich für Teile). Gemäß den Bestimmungen des Parts-only Warranty Service stellt Hewlett Packard Enterprise Ersatzteile kostenlos zur Verfügung.

Für den Parts-only Warranty Service ist das CSR-Verfahren zwingend vorgegeben. Wenn Sie den Austausch dieser Teile von Hewlett Packard Enterprise vornehmen lassen, werden Ihnen die Anfahrt- und Arbeitskosten für diesen Service berechnet.

Reparaciones del propio cliente

Los productos de Hewlett Packard Enterprise incluyen muchos componentes que el propio usuario puede reemplazar (Customer Self Repair, CSR) para minimizar el tiempo de reparación y ofrecer una mayor flexibilidad a la hora de realizar sustituciones de componentes defectuosos. Si, durante la fase de diagnóstico, Hewlett Packard Enterprise (o los proveedores o socios de servicio de Hewlett Packard Enterprise) identifica que una reparación puede llevarse a cabo mediante el uso de un componente CSR, Hewlett Packard Enterprise le enviará dicho componente directamente para que realice su sustitución. Los componentes CSR se clasifican en dos categorías:

- **Obligatorio**—Componentes cuya reparación por parte del usuario es obligatoria. Si solicita a Hewlett Packard Enterprise que realice la sustitución de estos componentes, tendrá que hacerse cargo de los gastos de desplazamiento y de mano de obra de dicho servicio.
- **Opcional**—Componentes cuya reparación por parte del usuario es opcional. Estos componentes también están diseñados para que puedan ser reparados por el usuario. Sin embargo, si precisa que Hewlett Packard Enterprise realice su sustitución, puede o no conllevar costes adicionales, dependiendo del tipo de servicio de garantía correspondiente al producto.

NOTA: Algunos componentes de Hewlett Packard Enterprise no están diseñados para que puedan ser reparados por el usuario. Para que el usuario haga valer su garantía, Hewlett Packard Enterprise pone como condición que un proveedor de servicios autorizado realice la sustitución de estos componentes. Dichos componentes se identifican con la palabra "No" en el catálogo ilustrado de componentes.

Según la disponibilidad y la situación geográfica, los componentes CSR se enviarán para que lleguen a su destino al siguiente día laborable. Si la situación geográfica lo permite, se puede solicitar la entrega en el mismo día o en cuatro horas con un coste adicional. Si precisa asistencia técnica, puede llamar al Centro de asistencia técnica de Hewlett Packard Enterprise y recibirá ayuda telefónica por parte de un técnico. Con el envío de materiales para la sustitución de componentes CSR, Hewlett Packard Enterprise especificará si los componentes defectuosos deberán devolverse a Hewlett Packard Enterprise. En aquellos casos en los que sea necesario devolver algún componente a Hewlett Packard Enterprise, deberá hacerlo en el periodo de tiempo especificado, normalmente cinco días laborables. Los componentes defectuosos deberán devolverse con toda la documentación relacionada y con el embalaje de envío. Si no enviara el componente defectuoso requerido, Hewlett Packard Enterprise podrá cobrarle por el de sustitución. En el caso de todas sustituciones que lleve a cabo el cliente, Hewlett Packard Enterprise se hará cargo de todos los gastos de envío y devolución de componentes y escogerá la empresa de transporte que se utilice para dicho servicio.

Para obtener más información acerca del programa de Reparaciones del propio cliente de Hewlett Packard Enterprise, póngase en contacto con su proveedor de servicios local. Si está interesado en el programa para Norteamérica, visite [**la página web de Hewlett Packard Enterprise CSR**](#).

Servicio de garantía exclusivo de componentes

La garantía limitada de Hewlett Packard Enterprise puede que incluya un servicio de garantía exclusivo de componentes. Según las condiciones de este servicio exclusivo de componentes, Hewlett Packard Enterprise le facilitará los componentes de repuesto sin cargo adicional alguno.

Para este servicio de garantía exclusivo de componentes, es obligatoria la sustitución de componentes por parte del usuario (CSR). Si solicita a Hewlett Packard Enterprise que realice la sustitución de estos

componentes, tendrá que hacerse cargo de los gastos de desplazamiento y de mano de obra de dicho servicio.

Customer Self Repair

Veel onderdelen in Hewlett Packard Enterprise producten zijn door de klant zelf te repareren, waardoor de reparatieduur tot een minimum beperkt kan blijven en de flexibiliteit in het vervangen van defecte onderdelen groter is. Deze onderdelen worden CSR-onderdelen (Customer Self Repair) genoemd. Als Hewlett Packard Enterprise (of een Hewlett Packard Enterprise Service Partner) bij de diagnose vaststelt dat de reparatie kan worden uitgevoerd met een CSR-onderdeel, verzendt Hewlett Packard Enterprise dat onderdeel rechtstreeks naar u, zodat u het defecte onderdeel daarmee kunt vervangen. Er zijn twee categorieën CSR-onderdelen:

- **Verplicht**—Onderdelen waarvoor reparatie door de klant verplicht is. Als u Hewlett Packard Enterprise verzoekt deze onderdelen voor u te vervangen, worden u voor deze service reiskosten en arbeidsloon in rekening gebracht.
- **Optioneel**—Onderdelen waarvoor reparatie door de klant optioneel is. Ook deze onderdelen zijn ontworpen voor reparatie door de klant. Als u echter Hewlett Packard Enterprise verzoekt deze onderdelen voor u te vervangen, kunnen daarvoor extra kosten in rekening worden gebracht, afhankelijk van het type garanteservice voor het product.

OPMERKING: Sommige Hewlett Packard Enterprise onderdelen zijn niet ontwikkeld voor reparatie door de klant. In verband met de garantievoorwaarden moet het onderdeel door een geautoriseerde Service Partner worden vervangen. Deze onderdelen worden in de geïllustreerde onderdelencatalogus aangemerkt met "Nee".

Afhankelijk van de leverbaarheid en de locatie worden CSR-onderdelen verzonden voor levering op de eerstvolgende werkdag. Levering op dezelfde dag of binnen vier uur kan tegen meerkosten worden aangeboden, indien dit mogelijk is gezien de locatie. Indien assistentie is gewenst, belt u het Hewlett Packard Enterprise Support Center om via de telefoon ondersteuning van een technicus te ontvangen. Hewlett Packard Enterprise vermeldt in de documentatie bij het vervangende CSR-onderdeel of het defecte onderdeel aan Hewlett Packard Enterprise moet worden geretourneerd. Als het defecte onderdeel aan Hewlett Packard Enterprise moet worden teruggezonden, moet u het defecte onderdeel binnen een bepaalde periode, gewoonlijk vijf (5) werkdagen, retourneren aan Hewlett Packard Enterprise. Het defecte onderdeel moet met de bijbehorende documentatie worden geretourneerd in het meegeleverde verpakkingsmateriaal. Als u het defecte onderdeel niet terugzendt, kan Hewlett Packard Enterprise u voor het vervangende onderdeel kosten in rekening brengen. Bij reparatie door de klant betaalt Hewlett Packard Enterprise alle verzendkosten voor het vervangende en geretourneerde onderdeel en kiest Hewlett Packard Enterprise zelf welke koerier/transportonderneming hiervoor wordt gebruikt.

Neem contact op met een Service Partner voor meer informatie over het Customer Self Repair programma van Hewlett Packard Enterprise. Informatie over Service Partners vindt u op de **Hewlett Packard Enterprise website**.

Garanteservice "Parts Only"

Het is mogelijk dat de Hewlett Packard Enterprise garantie alleen de garantieservice "Parts Only" omvat. Volgens de bepalingen van de Parts Only garantieservice zal Hewlett Packard Enterprise kosteloos vervangende onderdelen ter beschikking stellen.

Voor de Parts Only garantieservice is vervanging door CSR-onderdelen verplicht. Als u Hewlett Packard Enterprise verzoekt deze onderdelen voor u te vervangen, worden u voor deze service reiskosten en arbeidsloon in rekening gebracht

Reparo feito pelo cliente

Os produtos da Hewlett Packard Enterprise são projetados com muitas peças para reparo feito pelo cliente (CSR) de modo a minimizar o tempo de reparo e permitir maior flexibilidade na substituição de peças com defeito. Se, durante o período de diagnóstico, a Hewlett Packard Enterprise (ou fornecedores/parceiros da

Hewlett Packard Enterprise) concluir que o reparo pode ser efetuado pelo uso de uma peça CSR, a Hewlett Packard Enterprise enviará a peça diretamente ao cliente. Há duas categorias de peças CSR:

- **Obrigatória**—Peças cujo reparo feito pelo cliente é obrigatório. Se desejar que a Hewlett Packard Enterprise substitua essas peças, serão cobradas as despesas de transporte e mão-de-obra do serviço.
- **Opcional**—Peças cujo reparo feito pelo cliente é opcional. Essas peças também são projetadas para o reparo feito pelo cliente. No entanto, se desejar que a Hewlett Packard Enterprise as substitua, pode haver ou não a cobrança de taxa adicional, dependendo do tipo de serviço de garantia destinado ao produto.

OBSERVAÇÃO: Algumas peças da Hewlett Packard Enterprise não são projetadas para o reparo feito pelo cliente. A fim de cumprir a garantia do cliente, a Hewlett Packard Enterprise exige que um técnico autorizado substitua a peça. Essas peças estão identificadas com a marca "No" (Não), no catálogo de peças ilustrado.

Conforme a disponibilidade e o local geográfico, as peças CSR serão enviadas no primeiro dia útil após o pedido. Onde as condições geográficas permitirem, a entrega no mesmo dia ou em quatro horas pode ser feita mediante uma taxa adicional. Se precisar de auxílio, entre em contato com o Centro de suporte técnico da Hewlett Packard Enterprise para que um técnico o ajude por telefone. A Hewlett Packard Enterprise especifica nos materiais fornecidos com a peça CSR de reposição se a peça com defeito deve ser devolvida à Hewlett Packard Enterprise. Nos casos em que isso for necessário, é preciso enviar a peça com defeito à Hewlett Packard Enterprise, você deverá enviar a peça com defeito de volta para a Hewlett Packard Enterprise dentro do período de tempo definido, normalmente em 5 (cinco) dias úteis. A peça com defeito deve ser enviada com a documentação correspondente no material de transporte fornecido. Caso não o faça, a Hewlett Packard Enterprise poderá cobrar a reposição. Para as peças de reparo feito pelo cliente, a Hewlett Packard Enterprise paga todas as despesas de transporte e de devolução da peça e determina a transportadora/serviço postal a ser utilizado.

Para obter mais informações sobre o programa de reparo feito pelo cliente da Hewlett Packard Enterprise, entre em contato com o fornecedor de serviços local. Para o programa norte-americano, **visite o site da Hewlett Packard Enterprise**.

Serviço de garantia apenas para peças

A garantia limitada da Hewlett Packard Enterprise pode incluir um serviço de garantia apenas para peças. Segundo os termos do serviço de garantia apenas para peças, a Hewlett Packard Enterprise fornece as peças de reposição sem cobrar nenhuma taxa.

No caso desse serviço, a substituição de peças CSR é obrigatória. Se desejar que a Hewlett Packard Enterprise substitua essas peças, serão cobradas as despesas de transporte e mão-de-obra do serviço.

カスタマーセルフリペア

修理時間を短縮し、故障部品の交換における高い柔軟性を確保するために、Hewlett Packard Enterprise製品には多数のカスタマーセルフリペア（CSR）部品があります。診断の際に、CSR部品を使用すれば修理ができるとHewlett Packard Enterprise（Hewlett Packard EnterpriseまたはHewlett Packard Enterprise正規保守代理店）が判断した場合、Hewlett Packard Enterpriseはその部品を直接、お客様に発送し、お客様に交換していただきます。CSR部品には以下の2種類があります。

- **必須** - カスタマーセルフリペアが必須の部品。当該部品について、もしもお客様がHewlett Packard Enterpriseに交換作業を依頼される場合には、その修理サービスに関する交通費および人件費がお客様に請求されます。
- **任意** - カスタマーセルフリペアが任意である部品。この部品もカスタマーセルフリペア用です。当該部品について、もしもお客様がHewlett Packard Enterpriseに交換作業を依頼される場合には、お買い上げの製品に適用される保証サービス内容の範囲内においては、別途費用を負担していただくことなく保証サービスを受けることができます。

注： Hewlett Packard Enterprise製品の一部の部品は、カスタマーセルフリペアの対象外です。製品の保証を継続するためには、Hewlett Packard EnterpriseまたはHewlett Packard Enterprise正規保守代理店による交換作業が必須となります。部品カタログには、当該部品がカスタマーセルフリペア除外品である旨が記載されています。

部品供給が可能な場合、地域によっては、CSR部品を翌営業日に届くように発送します。また、地域によっては、追加費用を負担いただくことにより同日または4時間以内に届くように発送することも可能な場合があります。サポートが必要なときは、Hewlett Packard Enterpriseサポートセンターに電話していただければ、技術者が電話でアドバイスします。交換用のCSR部品または同梱物には、故障部品をHewlett Packard Enterpriseに返送する必要があるかどうかが表示されています。故障部品をHewlett Packard Enterpriseに返送する必要がある場合は、指定期限内（通常は5営業日以内）に故障部品をHewlett Packard Enterpriseに返送してください。故障部品を返送する場合は、届いた時の梱包箱に関連書類とともに入れてください。故障部品を返送しない場合、Hewlett Packard Enterpriseから部品費用が請求されます。カスタマーセルフリペアの際には、Hewlett Packard Enterpriseは送料および部品返送費を全額負担し、使用する宅配便会社や運送会社を指定します。

部品のみ保証サービス

Hewlett Packard Enterprise保証サービスには、部品のみ保証サービスが適用される場合があります。このサービスでは、交換部品は無償で提供されます。

部品のみ保証サービスにおいては、CSR部品をお客様により交換作業していただくことが必須となります。当該部品について、もしもお客様がHewlett Packard Enterpriseに交換作業を依頼される場合には、その修理サービスに関する交通費および人件費がお客様のご負担となります。

客户自行维修

Hewlett Packard Enterprise 产品提供许多客户自行维修 (CSR) 部件，以尽可能缩短维修时间和在更换缺陷部件方面提供更大的灵活性。如果在诊断期间 Hewlett Packard Enterprise (或 Hewlett Packard Enterprise 服务提供商或服务合作伙伴) 确定可以通过使用 CSR 部件完成维修，Hewlett Packard Enterprise 将直接把该部件发送给您进行更换。有两类 CSR 部件：

- **强制性的** — 要求客户必须自行维修的部件。如果您请求 Hewlett Packard Enterprise 更换这些部件，则必须为该服务支付差旅费和人工费用。
- **可选的** — 客户可以选择是否自行维修的部件。这些部件也是为客户自行维修设计的。不过，如果您要求 Hewlett Packard Enterprise 为您更换这些部件，则根据为您的产品指定的保修服务类型，Hewlett Packard Enterprise 可能收取或不再收取任何附加费用。

注：某些 Hewlett Packard Enterprise 部件的设计并未考虑客户自行维修。为了满足客户保修的需要，Hewlett Packard Enterprise 要求授权服务提供商更换相关部件。这些部件在部件图解目录中标记为“否”。

CSR 部件将在下一个工作日发运（取决于备货情况和允许的地理范围）。在允许的地理范围内，可在当天或四小时内发运，但要收取额外费用。如果需要帮助，您可以致电 Hewlett Packard Enterprise 技术支持中心，将会有技术人员通过电话为您提供帮助。Hewlett Packard Enterprise 会在随更换的 CSR 部件发运的材料中指明是否必须将有缺陷的部件返还给 Hewlett Packard Enterprise。如果要求您将缺陷的部件返还给 Hewlett Packard Enterprise，那么您必须在规定的期限内（通常是五 (5) 个工作日）将缺陷部件发给 Hewlett Packard Enterprise。有缺陷的部件必须随所提供的发运材料中的相关文件一起返还。如果未能送还有缺陷的部件，Hewlett Packard Enterprise 可能会要求您支付更换费用。客户自行维修时，Hewlett Packard Enterprise 将承担所有相关运输和部件返回费用，并指定快递商/承运商。

有关 Hewlett Packard Enterprise 客户自行维修计划的详细信息，请与您当地的服务提供商联系。有关北美地区的计划，请访问 Hewlett Packard Enterprise 网站 (<http://www.hpe.com/support/selfrepair>)。

仅部件保修服务

您的 Hewlett Packard Enterprise 有限保修服务可能涉及仅部件保修服务。根据仅部件保修服务条款的规定，Hewlett Packard Enterprise 将免费提供更换的部件。

仅部件保修服务要求进行 CSR 部件更换。如果您请求 Hewlett Packard Enterprise 更换这些部件，则必须为该服务支付差旅费和人工费用。

客戶自行維修

Hewlett Packard Enterprise 產品設計了許多「客戶自行維修」(CSR) 的零件以減少維修時間，並且使得更換瑕疵零件時能有更大的彈性。如果在診斷期間，Hewlett Packard Enterprise (或 Hewlett Packard Enterprise 服務供應商或維修夥伴) 辨認出此項維修工作可以藉由使用 CSR 零件來完成，則 Hewlett Packard Enterprise 將直接寄送該零件給您作更換。CSR 零件分為兩種類別：

- **強制的** — 客戶自行維修所使用的零件是強制性的。如果您要求 Hewlett Packard Enterprise 更換這些零件，Hewlett Packard Enterprise 將會向您收取此服務所需的外出費用與勞動成本。
- **選購的** — 客戶自行維修所使用的零件是選購的。這些零件也設計用於客戶自行維修之用。不過，如果您要求 Hewlett Packard Enterprise 為您更換，則可能需要也可能不需要負擔額外的費用，端視針對此產品指定的保固服務類型而定。

備註：某些 Hewlett Packard Enterprise 零件沒有消費者可自行維修的設計。為符合客戶保固，Hewlett Packard Enterprise 需要授權的服務供應商更換零件。這些零件在圖示的零件目錄中，被標示為「否」。

基於材料取得及環境允許的情況下，CSR 零件將於下一個工作日以快遞寄送。在環境的允許下當天或四小時內送達，則可能需要額外的費用。若您需要協助，可致電 Hewlett Packard Enterprise 支援中心，會有一位技術人員透過電話來協助您。不論損壞的零件是否必須退回，Hewlett Packard Enterprise 皆會在與 CSR 替換零件一起運送的材料中註明。若要將損壞的零件退回 Hewlett Packard Enterprise，您必須在指定的一段時間內 (通常為五 (5) 個工作天)，將損壞的零件寄回 Hewlett Packard Enterprise。損壞的零件必須與寄送資料中隨附的相關技術文件一併退還。如果無法退還損壞的零件，Hewlett Packard Enterprise 可能要向您收取替換費用。針對客戶自行維修情形，Hewlett Packard Enterprise 將負責所有運費及零件退還費用，並指定使用何家快遞/貨運公司。

如需 Hewlett Packard Enterprise 的 CSR 方案詳細資訊，請連絡您當地的服務供應商。至於北美方案，請參閱 Hewlett Packard Enterprise 的 CSR 網站 <http://www.hpe.com/support/selfrepair>。

僅限零件的保固服務

您的「Hewlett Packard Enterprise 有限保固」可能包含僅限零件的保固服務。在僅限零件的保固服務情況下，Hewlett Packard Enterprise 將免費提供替換零件。

針對僅限零件的保固服務，CSR 零件替換是強制性的。如果您要求 Hewlett Packard Enterprise 更換這些零件，Hewlett Packard Enterprise 將會向您收取此服務所需的外出費用與勞動成本。

고객 셀프 수리

Hewlett Packard Enterprise 제품은 수리 시간을 최소화하고 결함이 있는 부품 교체 시 더욱 융통성을 발휘할 수 있도록 하기 위해 고객 셀프 수리(CSR) 부품을 다량 사용하여 설계되었습니다. 진단 기간 동안 Hewlett Packard Enterprise(또는 Hewlett Packard Enterprise 서비스 공급업체 또는 서비스 협력업체)에서 CSR 부품을 사용하여 수리가 가능하다고 판단되면 Hewlett Packard Enterprise는 해당 부품을 바로 사용자에게 보내어 사용자가 교체할 수 있도록 합니다. CSR 부품에는 두 가지 종류가 있습니다.

- **필수** - 고객 셀프 수리가 의무 사항인 필수 부품. 사용자가 Hewlett Packard Enterprise에 이 부품의 교체를 요청할 경우 이 서비스에 대한 출장비 및 작업비가 청구됩니다.
- **선택 사항** - 고객 셀프 수리가 선택 사항인 부품. 이 부품들도 고객 셀프 수리가 가능하도록 설계되었습니다. 하지만 사용자가 Hewlett Packard Enterprise에 이 부품의 교체를 요청할 경우 사용자가 구입한 제품에 해당하는 보증 서비스 유형에 따라 추가 비용 없이 교체가 가능할 수 있습니다.

참고: 일부 Hewlett Packard Enterprise 제품은 고객 셀프 수리가 불가능하도록 설계되었습니다. Hewlett Packard Enterprise는 만족스러운 고객 보증을 위해 공인 서비스 제공업체를 통해 부품을 교체하도록 하고 있습니다. 이러한 부품들은 Illustrated Parts Catalog에 "No"라고 표시되어 있습니다.

CSR 부품은 재고 상태와 지리적 조건이 허용하는 경우 다음 영업일 납품이 가능하도록 배송이 이루어집니다. 지리적 조건이 허용하는 경우 추가 비용이 청구되는 조건으로 당일 또는 4시간 배송이 가능할 수도 있습니다. 도움이 필요하시면 Hewlett Packard Enterprise Support Center로 전화하십시오. 전문 기술자가 전화로 도움을 줄 것입니다. Hewlett Packard Enterprise는 결함이 발생한 부품을 Hewlett Packard Enterprise로 반환해야 하는지 여부를 CSR 교체 부품과 함께 배송된 자료에 지정합니다. 결함이 발생한 부품을 Hewlett Packard Enterprise로 반환해야 하는 경우에는 지정된 기간 내(통상 영업일 기준 5일)에 Hewlett Packard Enterprise로 반환해야 합니다. 이때 결함이 발생한 부품은 제공된 포장 재료에 넣어 관련 설명서와 함께 반환해야 합니다. 결함이 발생한 부품을 반환하지 않는 경우 Hewlett Packard Enterprise가 교체 부품에 대해 비용을 청구할 수 있습니다. 고객 셀프 수리의 경우, Hewlett Packard Enterprise는 모든 운송 및 부품 반환 비용을 부담하며 이용할 운송업체 및 택배 서비스를 결정합니다.

Hewlett Packard Enterprise CSR 프로그램에 대한 자세한 내용은 가까운 서비스 제공업체에 문의하십시오. 북미 지역의 프로그램에 대해서는 Hewlett Packard Enterprise CSR 웹 사이트(<http://www.hpe.com/support/selfrepair>)를 참조하십시오.

부품 제공 보증 서비스

Hewlett Packard Enterprise 제한 보증에는 부품 제공 보증 서비스가 포함될 수 있습니다. 이러한 경우 Hewlett Packard Enterprise는 부품 제공 보증 서비스의 조건에 따라 교체 부품만을 무료로 제공합니다.

부품 제공 보증 서비스 제공 시 CSR 부품 교체는 의무 사항입니다. 사용자가 Hewlett Packard Enterprise에 이 부품의 교체를 요청할 경우 이 서비스에 대한 출장비 및 작업비가 청구됩니다.

Removal and replacement procedures

Required tools

The following tools might be required to perform some procedures:

- T-10/T-15/T-30 Torx screwdriver
- HPE Insight Diagnostics software

Safety considerations

Before performing service procedures, review all the safety information.

Electrostatic discharge

Be aware of the precautions you must follow when setting up the system or handling components. A discharge of static electricity from a finger or other conductor may damage system boards or other static-sensitive devices. This type of damage may reduce the life expectancy of the system or component.

To prevent electrostatic damage:

- Avoid hand contact by transporting and storing products in static-safe containers.
- Keep electrostatic-sensitive parts in their containers until they arrive at static-free workstations.
- Place parts on a grounded surface before removing them from their containers.
- Avoid touching pins, leads, or circuitry.
- Always be properly grounded when touching a static-sensitive component or assembly. Use one or more of the following methods when handling or installing electrostatic-sensitive parts:
 - Use a wrist strap connected by a ground cord to a grounded workstation or computer chassis. Wrist straps are flexible straps with a minimum of 1 megohm \pm 10 percent resistance in the ground cords. To provide proper ground, wear the strap snug against the skin.
 - Use heel straps, toe straps, or boot straps at standing workstations. Wear the straps on both feet when standing on conductive floors or dissipating floor mats.
 - Use conductive field service tools.
 - Use a portable field service kit with a folding static-dissipating work mat.

If you do not have any of the suggested equipment for proper grounding, have an authorized reseller install the part.

For more information on static electricity or assistance with product installation, contact an authorized reseller.

Server warnings and cautions



WARNING:

This server is heavy. To reduce the risk of personal injury or damage to the equipment:

- Observe local occupational health and safety requirements and guidelines for manual material handling.
 - Get help to lift and stabilize the product during installation or removal, especially when the product is not fastened to the rails. Hewlett Packard Enterprise recommends that a minimum of two people are required for all rack server installations. If the server is installed higher than chest level, a third person may be required to help align the server.
 - Use caution when installing the server in or removing the server from the rack; it is unstable when not fastened to the rails.
-
-



WARNING:

To reduce the risk of personal injury from hot surfaces, allow the drives and the internal system components to cool before touching them.



WARNING:

To reduce the risk of personal injury, electric shock, or damage to the equipment, remove the power cord to remove power from the server. The front panel Power On/Standby button does not completely shut off system power. Portions of the power supply and some internal circuitry remain active until AC/DC power is removed.



CAUTION:

Protect the server from power fluctuations and temporary interruptions with a regulating uninterruptible power supply. This device protects the hardware from damage caused by power surges and voltage spikes and keeps the system in operation during a power failure.



CAUTION:

Do not operate the server for long periods with the access panel open or removed. Operating the server in this manner results in improper airflow and improper cooling that can lead to thermal damage.

Rack warnings



WARNING:

To reduce the risk of personal injury or damage to the equipment, be sure that:

- The leveling jacks are extended to the floor.
 - The full weight of the rack rests on the leveling jacks.
 - The stabilizing feet are attached to the rack if it is a single-rack installation.
 - The racks are coupled together in multiple-rack installations.
 - Only one component is extended at a time. A rack may become unstable if more than one component is extended for any reason.
-
-

**WARNING:**

To reduce the risk of personal injury or equipment damage when unloading a rack:

- At least two people are needed to safely unload the rack from the pallet. An empty 42U rack can weigh as much as 115 kg (253 lb), can stand more than 2.1 m (7 ft) tall, and might become unstable when being moved on its casters.
 - Never stand in front of the rack when it is rolling down the ramp from the pallet. Always handle the rack from both sides.
-

Preparation procedures

To access some components and perform certain service procedures, you must perform one or more of the following procedures:

- **Extend the server from the rack.**

If you are performing service procedures in a Hewlett Packard Enterprise, Compaq branded, Telco, or third-party rack cabinet, you can use the locking feature of the rack rails to support the server and gain access to internal components.

For more information about Telco rack solutions, refer to the [RackSolutions.com website](http://RackSolutions.com).

- **Power down the server.**

If you must remove a server from a rack or a non-hot-plug component from a server, power down the server.

- **Remove the server from the rack.**

If the rack environment, cabling configuration, or the server location in the rack creates awkward conditions, remove the server from the rack.

Power down the server

Before powering down the server for any upgrade or maintenance procedures, perform a backup of critical server data and programs.

**IMPORTANT:**

When the server is in standby mode, auxiliary power is still being provided to the system.

To power down the server, use one of the following methods:

- Press and release the Power On/Standby button.

This method initiates a controlled shutdown of applications and the OS before the server enters standby mode.

- Press and hold the Power On/Standby button for more than 4 seconds to force the server to enter standby mode.

This method forces the server to enter standby mode without properly exiting applications and the OS. If an application stops responding, you can use this method to force a shutdown.

- Use a virtual power button selection through iLO.

This method initiates a controlled remote shutdown of applications and the OS before the server enters standby mode.

Before proceeding, verify that the server is in standby mode by observing that the system power LED is amber.

Extend the server from the rack

NOTE:

If the optional cable management arm option is installed, you can extend the server without powering down the server or disconnecting peripheral cables and power cords. These steps are only necessary with the standard cable management solution.

Procedure

1. Power down the server (**Power down the server** on page 33).
 2. Disconnect all peripheral cables and power cords.
 3. Loosen the front panel thumbscrews.
 4. Extend the server on the rack rails until the server rail-release latches engage.
-



WARNING:

To reduce the risk of personal injury or equipment damage, be sure that the rack is adequately stabilized before extending a component from the rack.



WARNING:

To reduce the risk of personal injury, be careful when pressing the server rail-release latches and sliding the server into the rack. The sliding rails could pinch your fingers.

5. After performing the installation or maintenance procedure, slide the server into the rack:
 - a. Slide the server fully into the rack.
 - b. Secure the server by tightening the thumbscrews.
6. Connect the peripheral cables and power cords.

Remove the server from the rack

To remove the server from a Hewlett Packard Enterprise, Compaq-branded, Telco, or third-party rack:

Procedure

1. Power down the server (**Power down the server** on page 33).
2. Extend the server from the rack (**Extend the server from the rack** on page 34).
3. Disconnect the cabling and remove the server from the rack. For more information, see the documentation that ships with the rack mounting option.
4. Place the server on a sturdy, level surface.

Remove the access panel



WARNING:

To reduce the risk of personal injury from hot surfaces, allow the drives and the internal system components to cool before touching them.



CAUTION:

Do not operate the server for long periods with the access panel open or removed. Operating the server in this manner results in improper airflow and improper cooling that can lead to thermal damage.

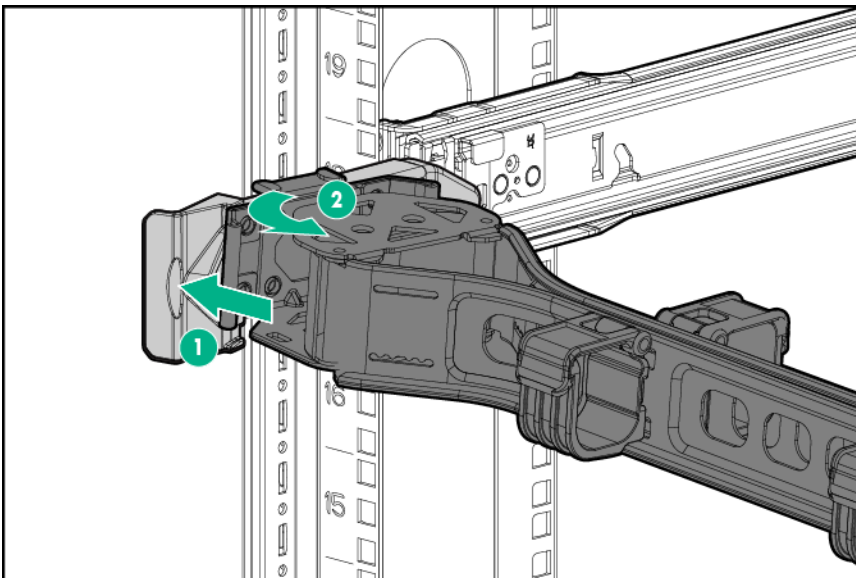
To remove the component:

Procedure

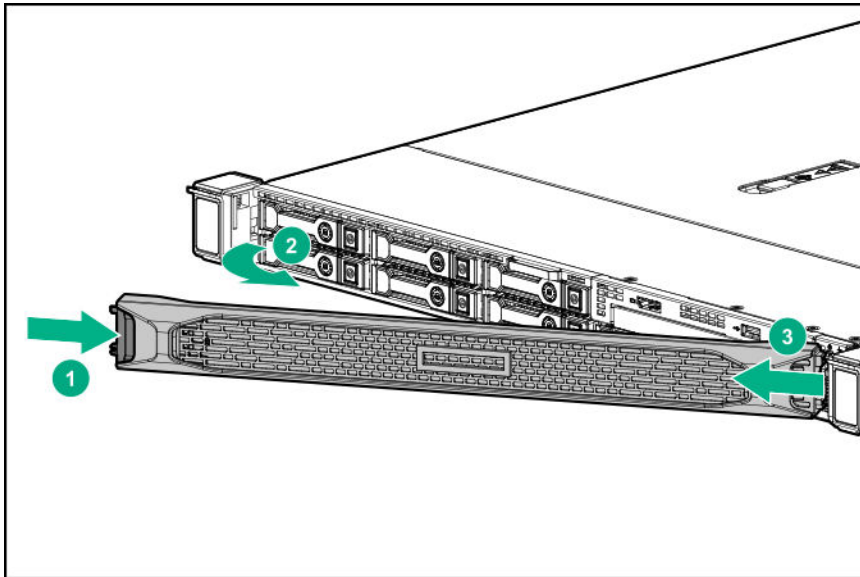
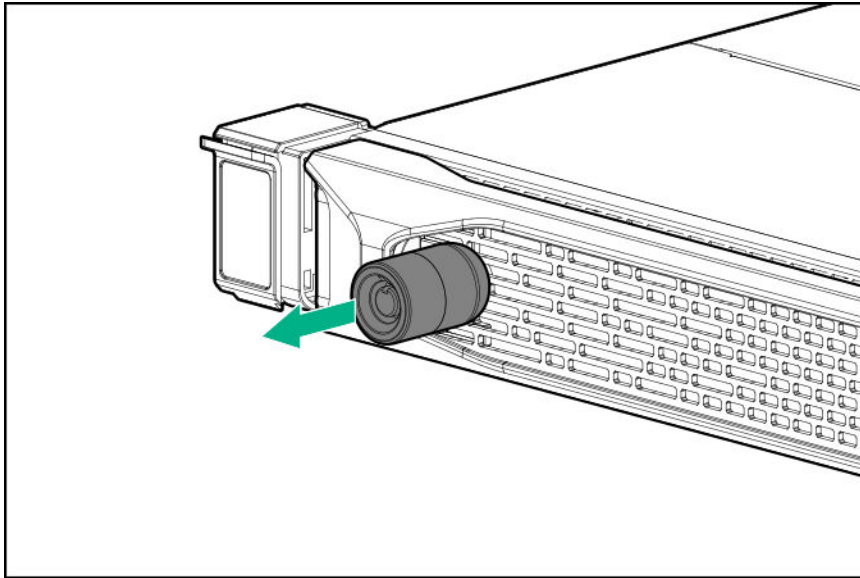
1. Power down the server (**Power down the server** on page 33).
2. Extend the server from the rack (**Extend the server from the rack** on page 34).
3. Open or unlock the locking latch, slide the access panel to the rear of the chassis, and remove the access panel.

Releasing the cable management arm

Release the cable management arm and then swing the arm away from the rack.

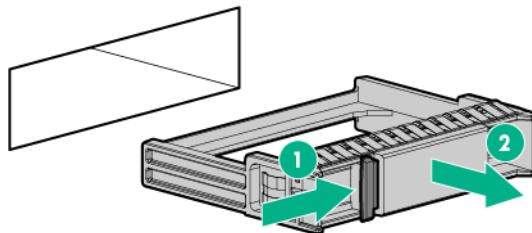


Removing and replacing the bezel



Removing the hard drive blank

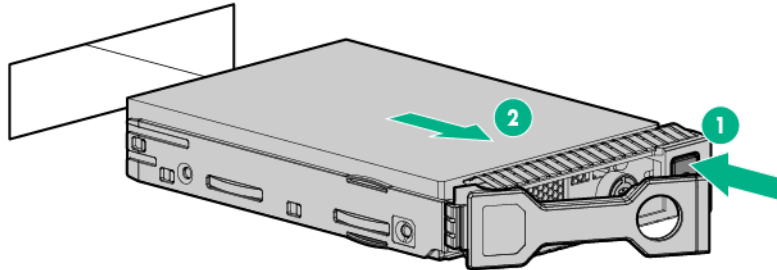
Remove the component as indicated.



Removing a SAS/SATA drive

Procedure

1. Back up all server data.
2. Observe the LED status of the drive and determine if it can be removed.
3. Remove the drive.



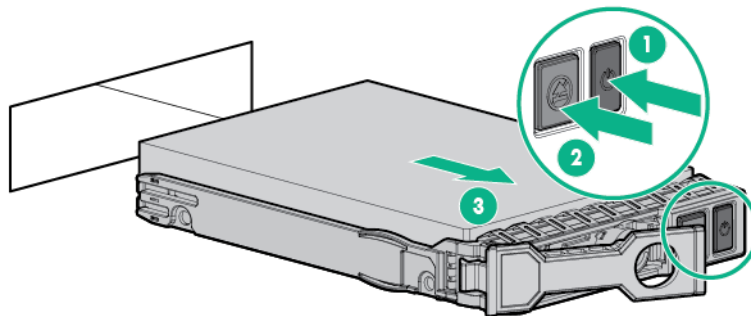
To replace the component, reverse the removal procedure.

Removing and replacing an NVMe drive

An NVMe SSD is a PCIe BUS device. Devices attached to a PCIe bus cannot be removed without allowing the device and the bus to complete and cease signal/traffic flow.

Procedure

1. Back up all server data.
2. Observe the LED status of the drive and determine if it can be removed.
3. Remove the drive:
 - a. Push the Power button.
The Do Not Remove button illuminates and flashes.
 - b. Wait until the flashing stops and the Do Not Remove button is no longer illuminated.
 - c. Push the Do Not Remove button and then remove the drive.

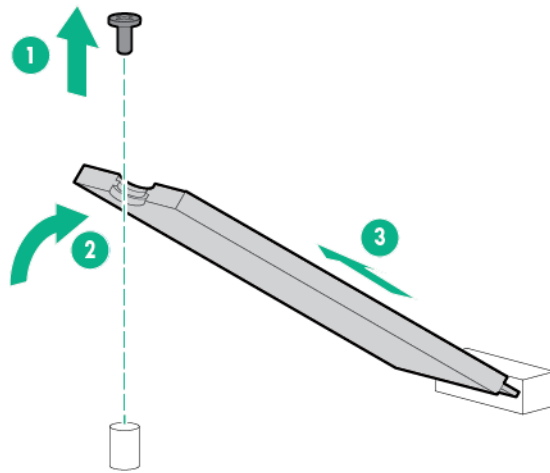


Removing and replacing an M.2 SSD

This procedure is for drives on the system board, riser, or expansion card. Do not use this procedure on uFF drives.

Procedure

1. **Power down the server.**
2. Remove all power:
 - a. Disconnect each power cord from the power source.
 - b. Disconnect each power cord from the server.
3. Do one of the following:
 - a. **Extend the server from the rack.**
 - b. **Remove the server from the rack.**
4. **Remove the access panel.**
5. **Remove the primary riser cage.**
6. Remove the M.2 SSD.

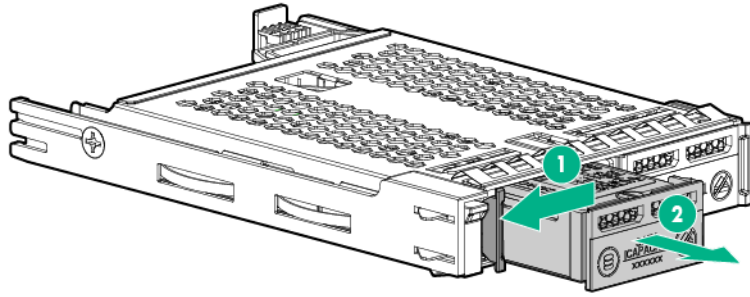


To replace the component, reverse the removal procedure.

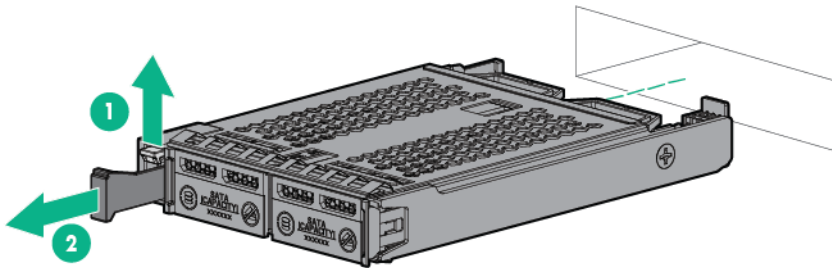
Removing and replacing a uFF drive

Procedure

1. Back up all server data.
2. Observe the LED status of the drive and determine if it can be removed.
3. Remove the drive.

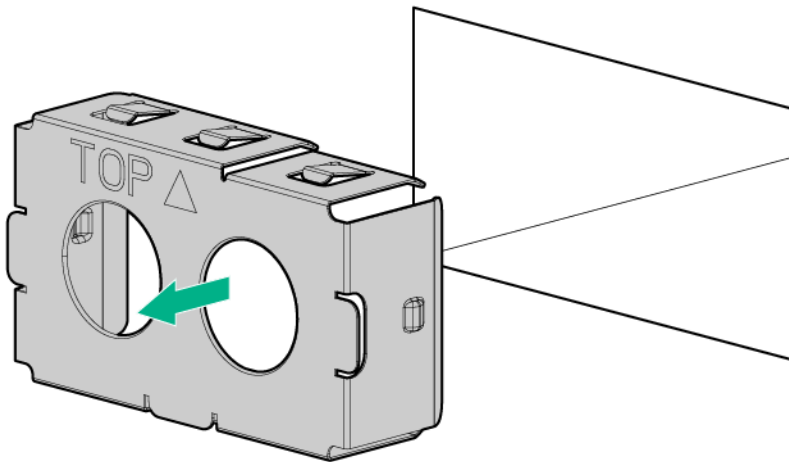


To remove the drive carrier:



To replace the component, reverse the removal procedure.

Removing and replacing a power supply blank



To replace the component, reverse the removal procedure.

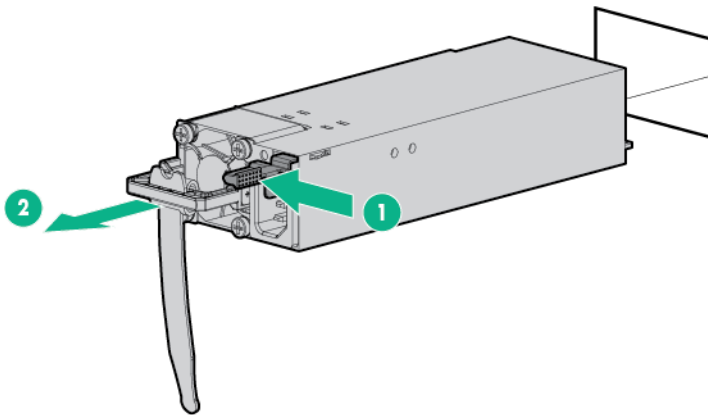
Removing and replacing the AC power supply

- ⚠ CAUTION:**
To prevent improper cooling and thermal damage, do not operate the server unless all bays are populated with either a component or a blank.
-

Procedure

1. Power down the server (**Power down the server** on page 33).
 2. Remove all power:
 - a. Disconnect each power cord from the power source.
 - b. Disconnect each power cord from the server.
 3. Access the product rear panel (**Releasing the cable management arm** on page 35).
 4. Remove the power supply.
-

- ⚠ WARNING:**
To reduce the risk of personal injury from hot surfaces, allow the power supply or power supply blank to cool before touching it.
-



To replace the component, reverse the removal procedure.

Removing and replacing a fan

- ⚠ CAUTION:**
Do not operate the server for long periods with the access panel open or removed. Operating the server in this manner results in improper airflow and improper cooling that can lead to thermal damage.
-

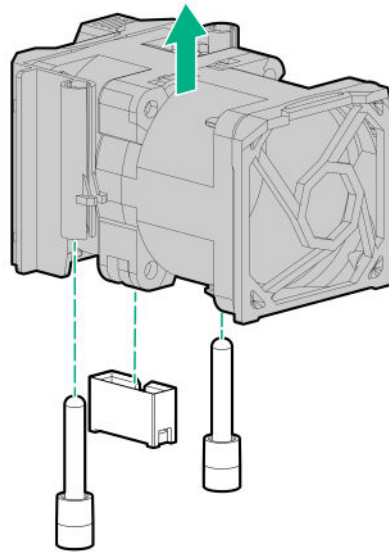
- ⓘ IMPORTANT:**
For optimum cooling, install fans in all primary fan locations.
-

Procedure

1. **Extend the server from the rack** on page 34.
2. **Remove the access panel.**
3. Remove the fan.

ⓘ **IMPORTANT:**
When a hot-plug fan is removed, the other fans in the server will increase speed to compensate.

⚠ **CAUTION:**
To avoid server shutdown, a fan must be replaced within 60 seconds of being removed.



To replace the component, reverse the removal procedure.

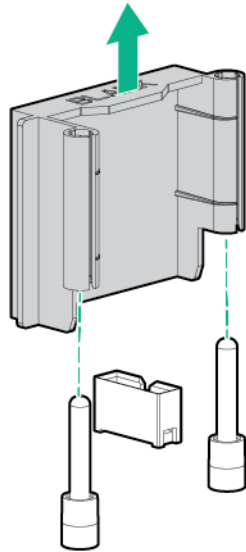
Removing and replacing a fan blank

⚠ **CAUTION:**
Do not operate the server for long periods with the access panel open or removed. Operating the server in this manner results in improper airflow and improper cooling that can lead to thermal damage.

ⓘ **IMPORTANT:**
For optimum cooling, install fans in all primary fan locations.

Procedure

1. **Extend the server from the rack.**
2. **Remove the access panel.**
3. Remove the fan blank.



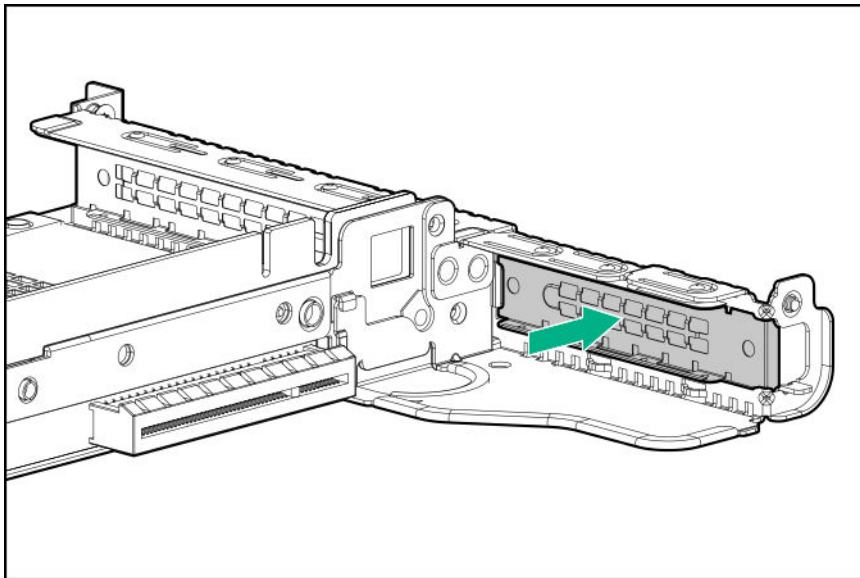
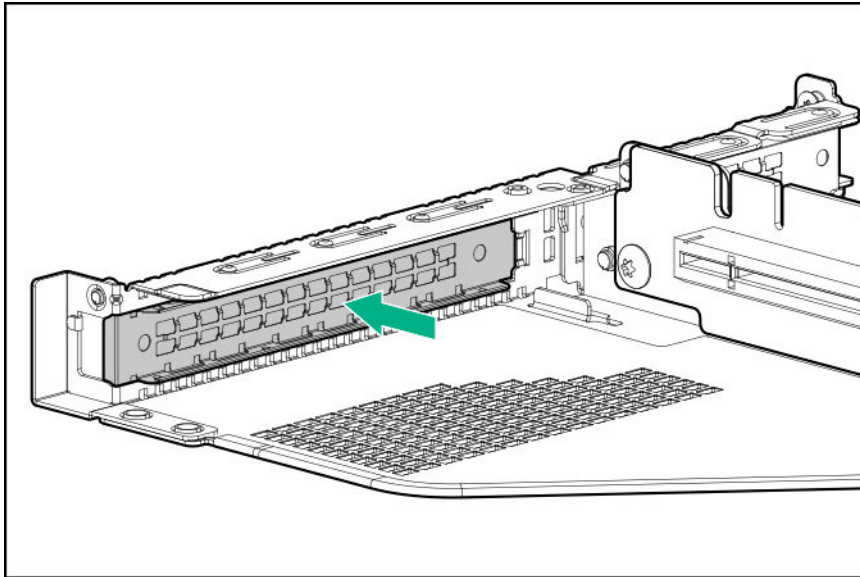
To replace the component, reverse the removal procedure.

Removing and replacing a PCIe blank

- ⚠ CAUTION:**
To prevent damage to the server or expansion boards, power down the server and remove all AC power cords before removing or installing the PCI riser cage.

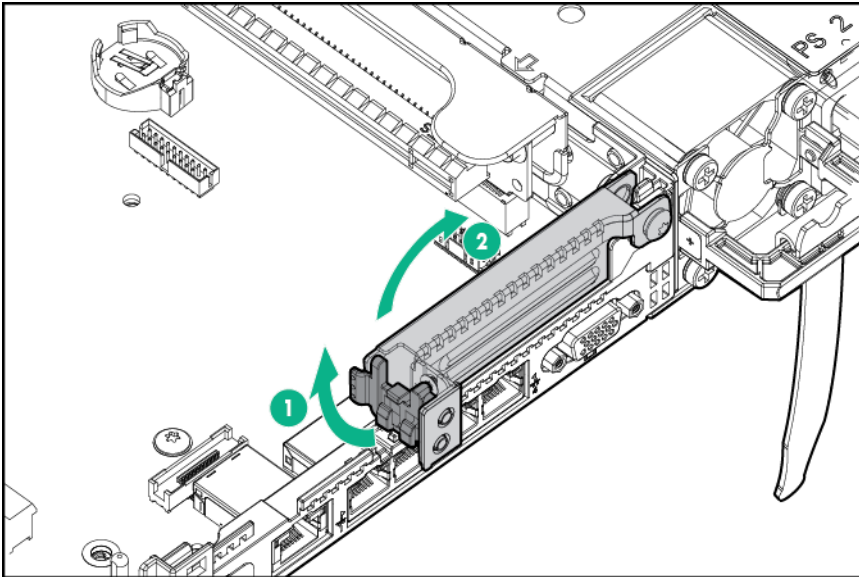
Procedure

1. **Power down the server.**
2. Remove all power:
 - a. Disconnect each power cord from the power source.
 - b. Disconnect each power cord from the server.
3. Do one of the following:
 - a. **Extend the server from the rack.**
 - b. **Remove the server from the rack.**
4. **Remove the access panel.**
5. **Remove the riser cage.**
6. Remove the riser blank.
To remove blanks from the primary riser:

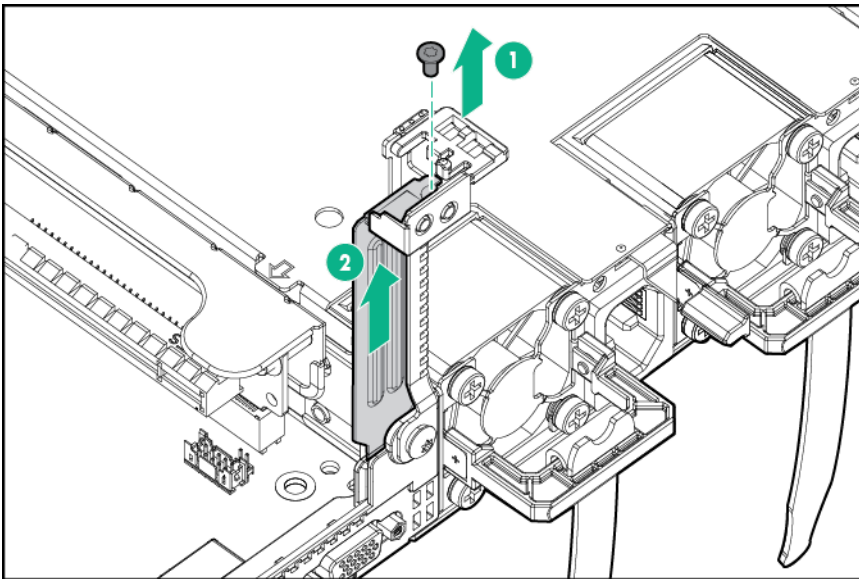


To remove blanks from the secondary riser:

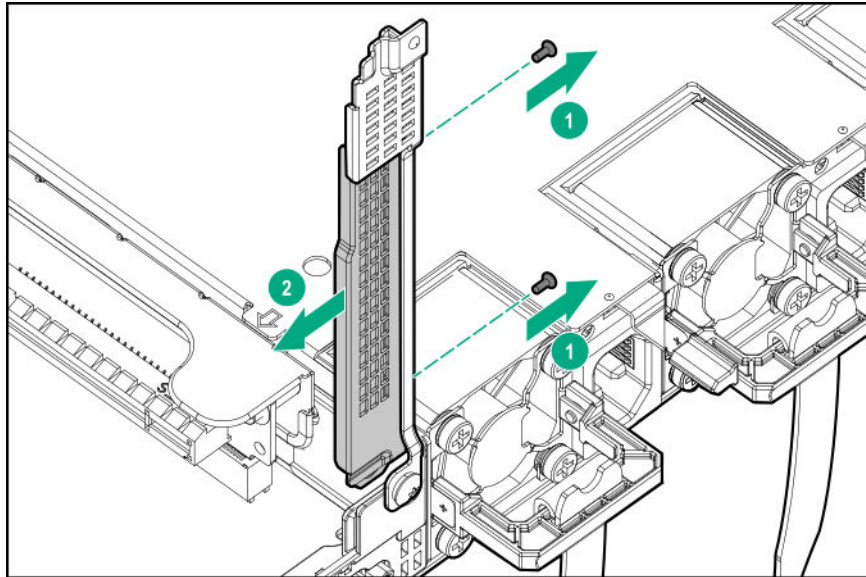
- a. Lift the rear wall latch.
Half-height



b. Remove the riser blank.



Full-height



To replace the component, reverse the removal procedure.

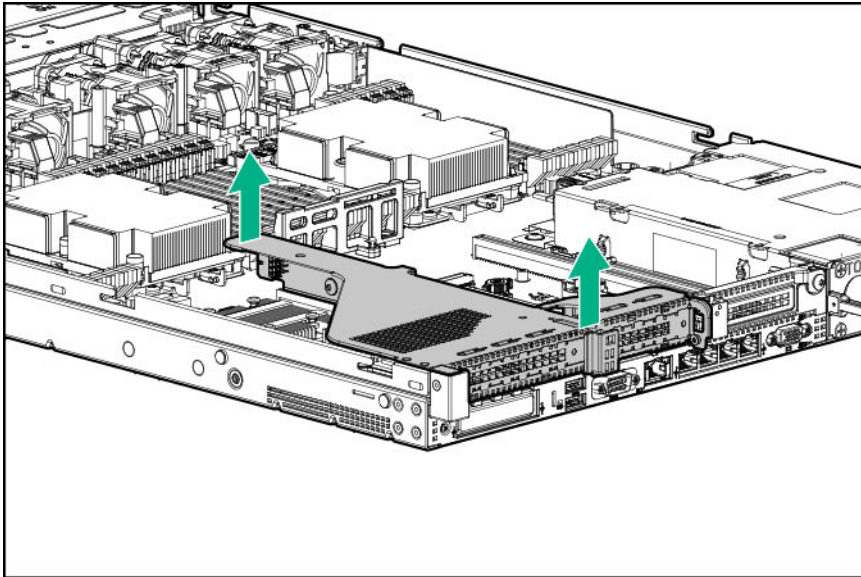
Removing and replacing a riser cage

- ⚠ CAUTION:**
To prevent damage to the server or expansion boards, power down the server and remove all AC power cords before removing or installing the PCI riser cage.

Procedure

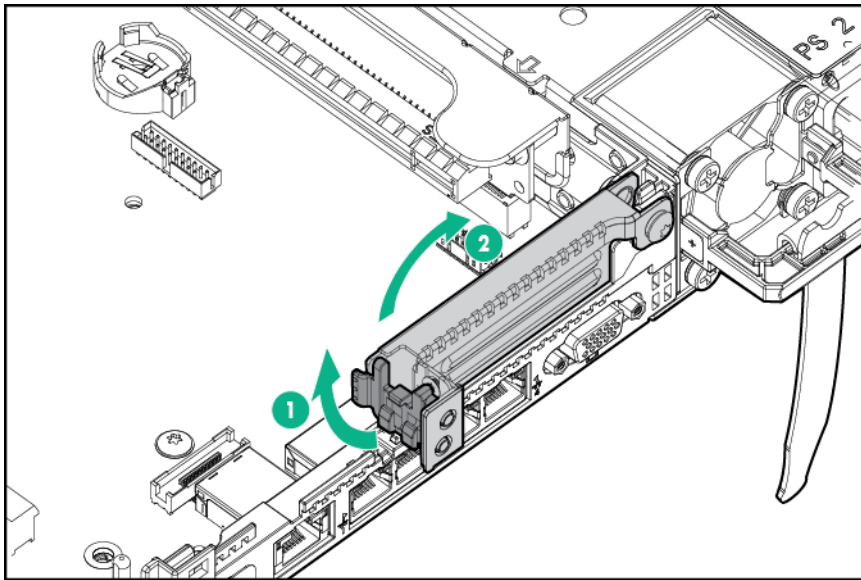
1. **Power down the server.**
2. Remove all power:
 - a. Disconnect each power cord from the power source.
 - b. Disconnect each power cord from the server.
3. Do one of the following:
 - a. **Extend the server from the rack.**
 - b. **Remove the server from the rack.**
4. **Remove the access panel.**
5. Remove the riser cage.

To remove the primary riser cage:

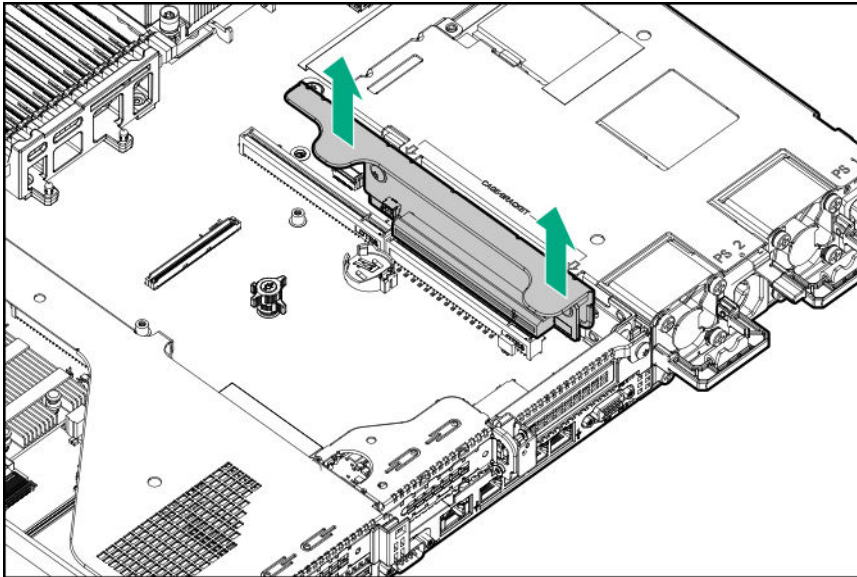


To remove the secondary riser cage:

- a. Remove the primary riser cage.
- b. Open the secondary rear wall.



- c. **Remove any expansion boards.**
- d. Remove the riser cage.



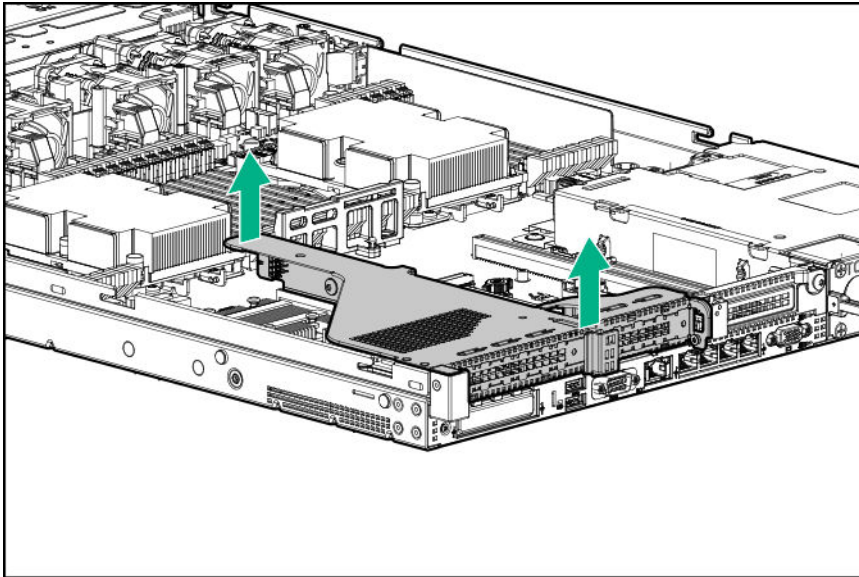
To replace the component, reverse the removal procedure.

Removing and replacing a primary riser card

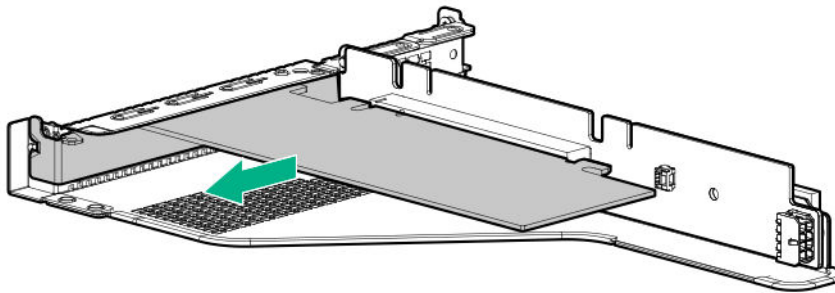
- ⚠ CAUTION:**
To prevent damage to the server or expansion boards, power down the server and remove all AC power cords before removing or installing the PCI riser cage.
-

Procedure

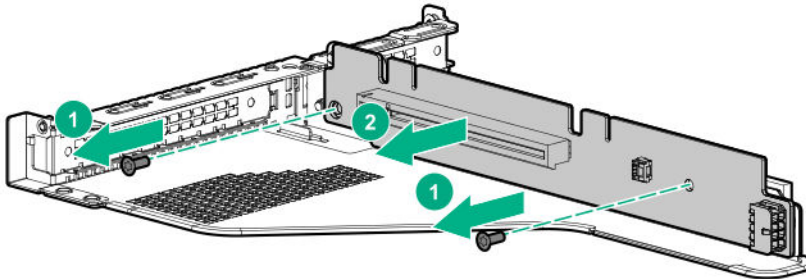
1. **Power down the server.**
2. Remove all power:
 - a. Disconnect each power cord from the power source.
 - b. Disconnect each power cord from the server.
3. Do one of the following:
 - a. **Extend the server from the rack.**
 - b. **Remove the server from the rack.**
4. **Remove the access panel.**
5. **Remove the riser cage.**



6. **Remove all expansion boards.**



7. Remove the riser.
Secondary risers are spared with the riser cage.



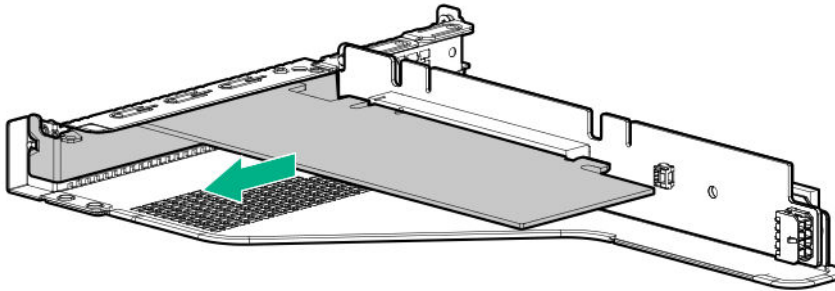
To replace the component, reverse the removal procedure.

Removing and replacing an expansion board

Procedure

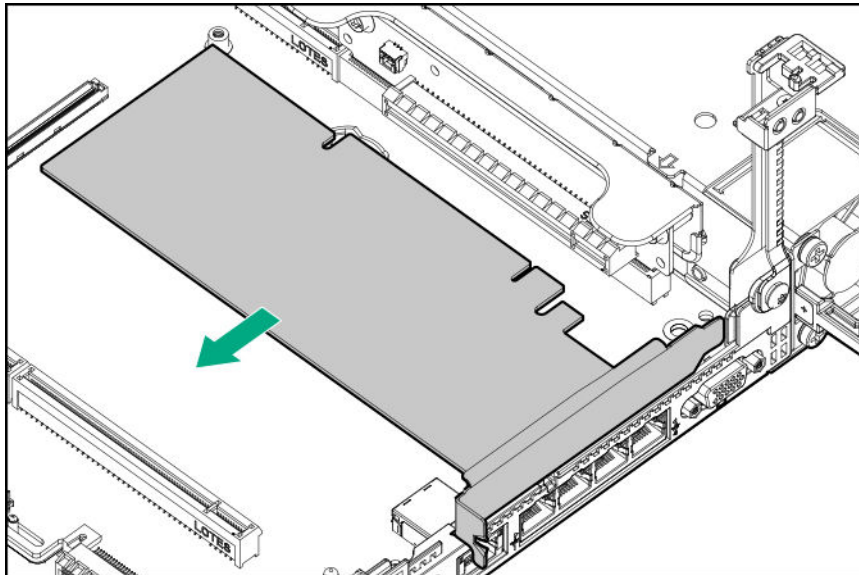
1. **Power down the server.**
2. Remove all power:

- a. Disconnect each power cord from the power source.
- b. Disconnect each power cord from the server.
3. Do one of the following:
 - a. **Extend the server from the rack.**
 - b. **Remove the server from the rack.**
4. **Remove the access panel.**
5. Remove the riser cage.
6. If a retaining screw is installed, remove the screw and then remove the expansion card.



To remove an expansion card from the secondary riser:

- a. Remove the primary riser cage.
- b. Lift the secondary rear wall.
- c. Remove the expansion card.

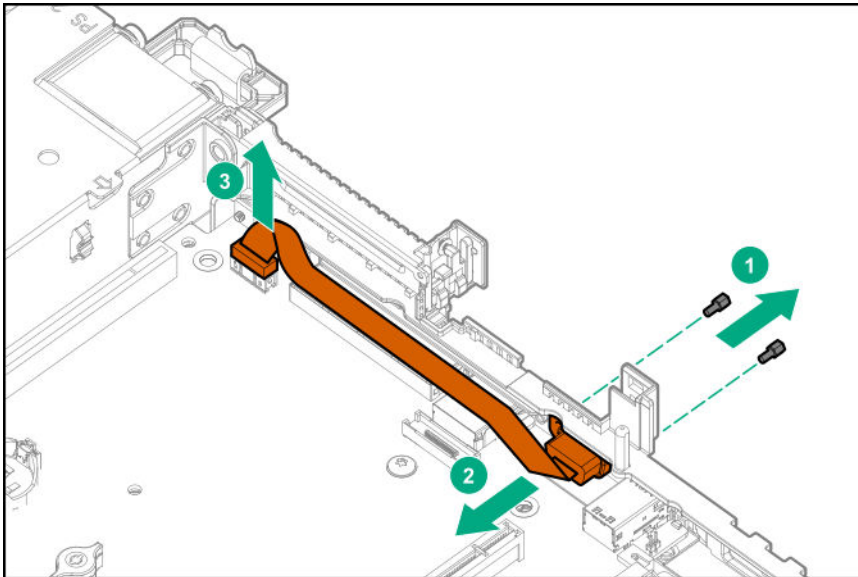


To replace the component, reverse the removal procedure.

Removing and replacing the intrusion detection switch

Procedure

1. **Power down the server.**
2. Remove all power:
 - a. Disconnect each power cord from the power source.
 - b. Disconnect each power cord from the server.
3. Do one of the following:
 - a. **Extend the server from the rack.**
 - b. **Remove the server from the rack.**
4. Remove the access panel.
5. **Remove all riser cages.**
6. Remove the switch and then disconnect the cable.

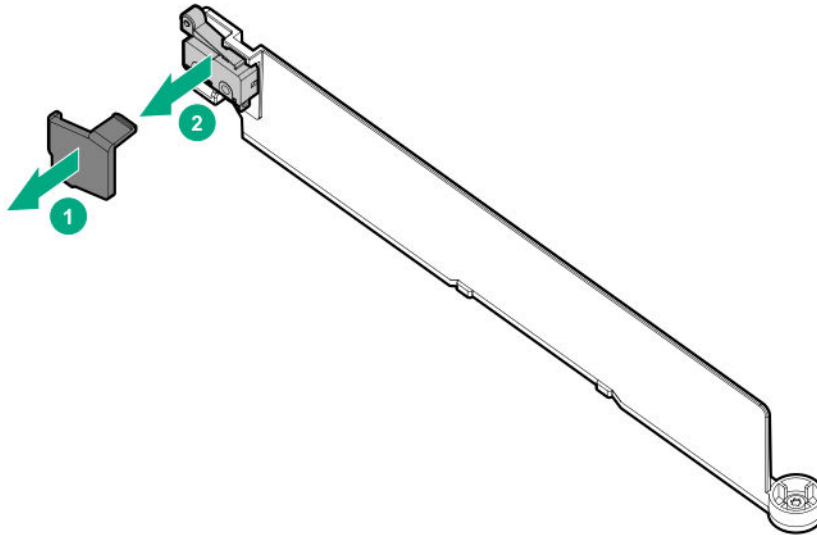


Removing and replacing the intrusion detection switch

Procedure

1. **Power down the server.**
2. Remove all power:
 - a. Disconnect each power cord from the power source.
 - b. Disconnect each power cord from the server.
3. Do one of the following:

- a. **Extend the server from the rack.**
 - b. **Remove the server from the rack.**
4. Remove the access panel.
 5. Disconnect the cable and remove the switch.



To replace the component, reverse the removal procedure.

Removing and replacing a GPU in the primary riser

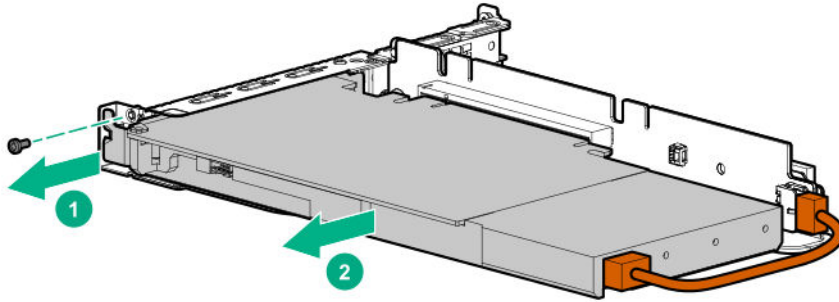
Procedure

1. Observe the following warning:

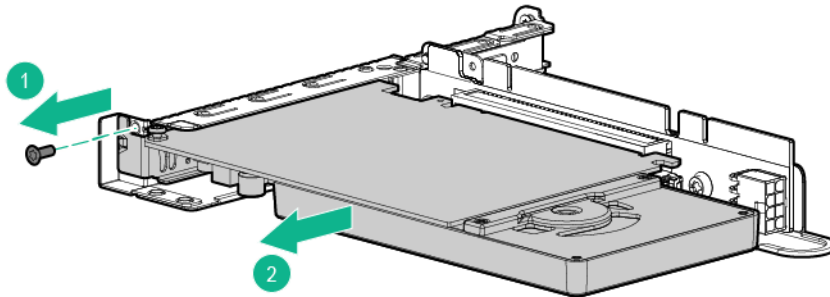
⚠ WARNING:
To reduce the risk of personal injury from hot surfaces, allow the drives and the internal system components to cool before touching them.

2. **Power down the server.**
3. Remove all power:
 - a. Disconnect each power cord from the power source.
 - b. Disconnect each power cord from the server.
4. Do one of the following:
 - a. **Extend the server from the rack.**
 - b. **Remove the server from the rack.**
5. **Remove the access panel.**
6. **Remove the riser cage.**

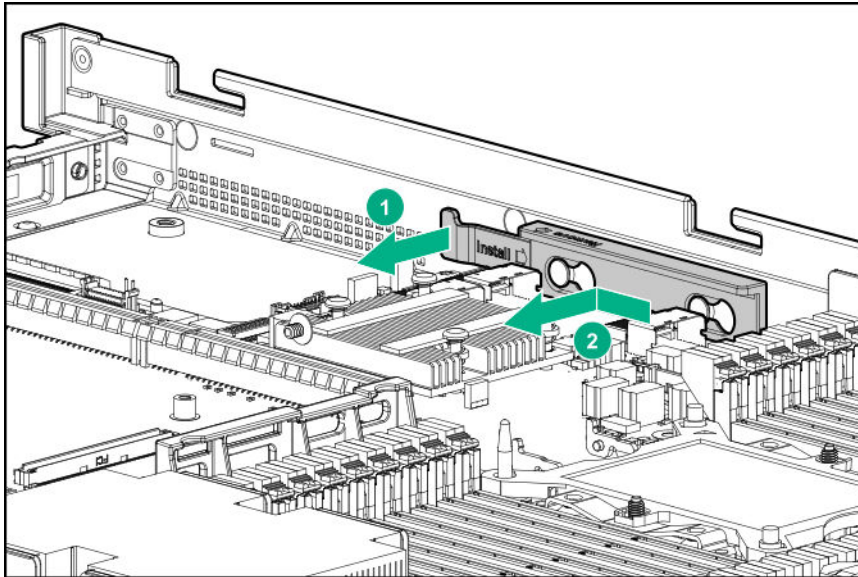
7. If needed, disconnect the GPU power cable and then remove the GPU from the riser.



If there is no power cable, remove the GPU:



8. If replacing the system board, remove the GPU support bracket.



To replace the component, reverse the removal procedure.

Removing and replacing a GPU in the secondary riser

This procedure applies to 3/4 length GPUs. Some GPUs might not have a power cable or a support bracket. Be sure to reuse the power cable or bracket from the existing GPU, if needed.

Procedure

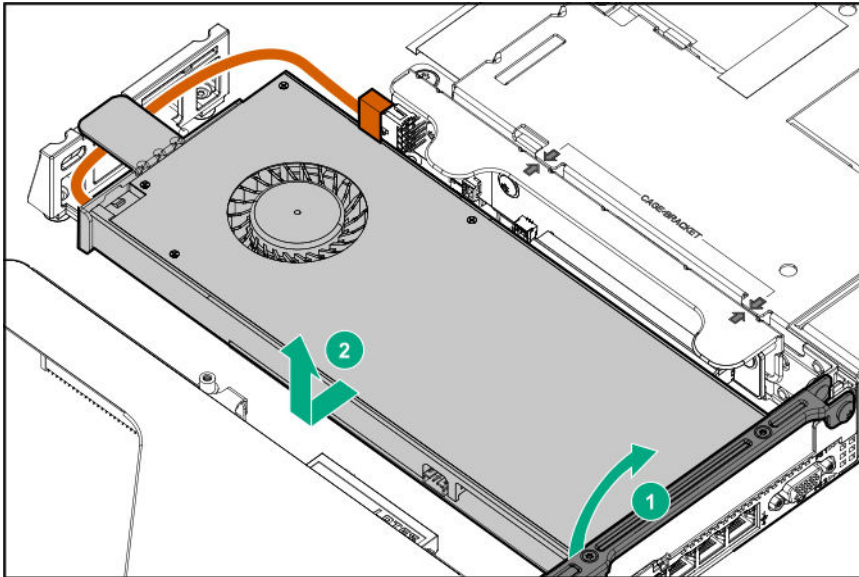
1. Observe the following warning:



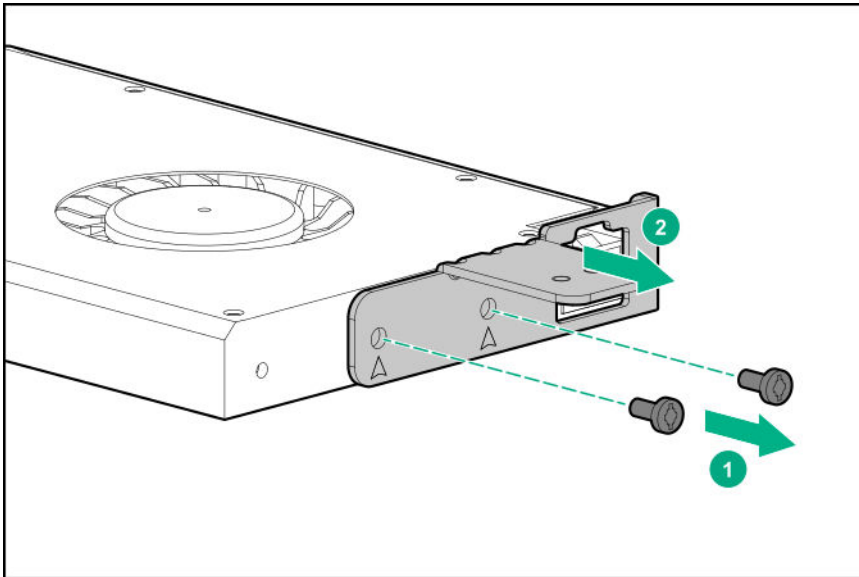
WARNING:

To reduce the risk of personal injury from hot surfaces, allow the drives and the internal system components to cool before touching them.

2. **Power down the server.**
3. Remove all power:
 - a. Disconnect each power cord from the power source.
 - b. Disconnect each power cord from the server.
4. Do one of the following:
 - a. **Extend the server from the rack.**
 - b. **Remove the server from the rack.**
5. **Remove the access panel.**
6. Remove the primary riser cage.
7. Disconnect the GPU power cable from the riser, and then remove the GPU from the riser.



8. If needed, remove the bracket from the existing GPU, and then install it on the new GPU. Your bracket might look different than the one shown.



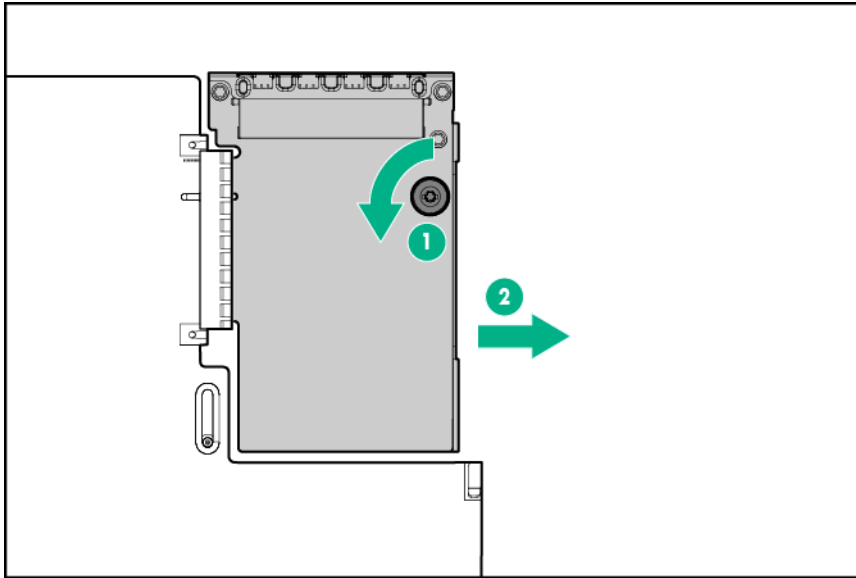
To replace the component, reverse the removal procedure.

Removing and replacing the FlexibleLOM

1. **Power down the server.**
2. Remove all power:
 - a. Disconnect each power cord from the power source.
 - b. Disconnect each power cord from the server.
3. Disconnect the LAN segment cables.
4. Do one of the following:

- **Extend the server from the rack.**
- **Remove the server from the rack.**

5. Remove the FlexibleLOM.

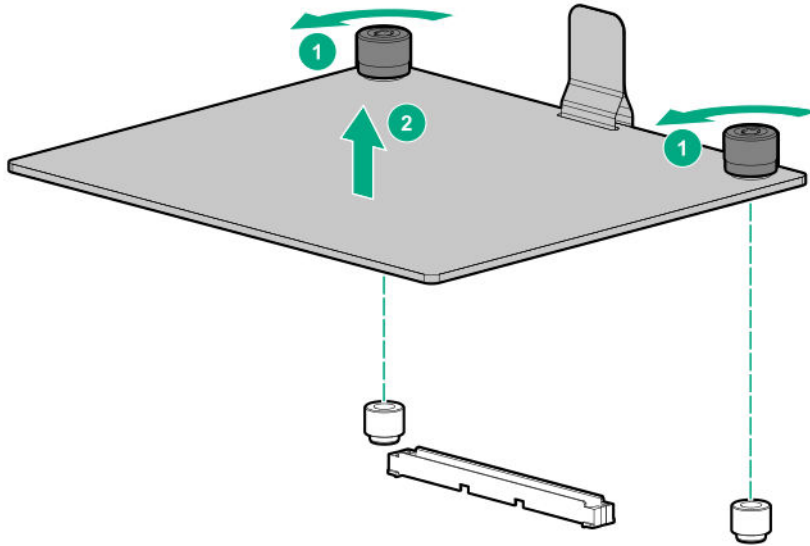


To replace the component, reverse the removal procedure.

Removing and replacing a storage controller

Procedure

1. **Power down the server.**
2. Remove all power:
 - a. Disconnect each power cord from the power source.
 - b. Disconnect each power cord from the server.
3. Do one of the following:
 - a. **Extend the server from the rack.**
 - b. **Remove the server from the rack.**
4. **Remove the access panel.**
5. Disconnect any cables from the controller
Note the port numbers before disconnecting the cables.
6. Remove the controller.



To replace the component, reverse the removal procedure.

Removing and replacing a DIMM

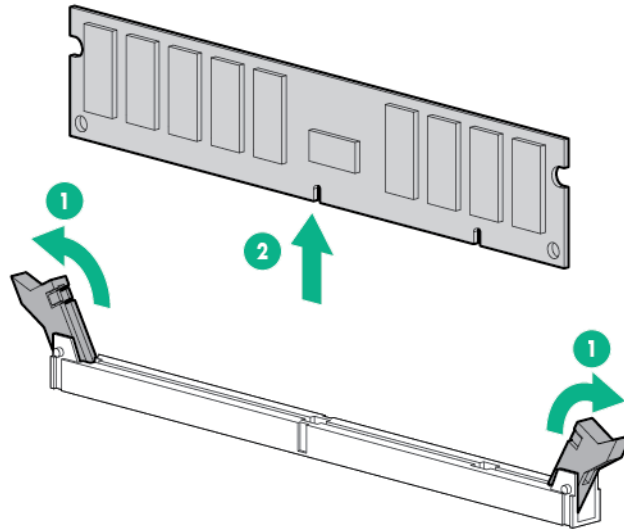
To identify DIMMs installed in the server, see "[DIMM slot locations](#)."

Prerequisites

Before replacing memory, read the memory configuration and population guidelines in the server user guide.

Procedure

1. **Power down the server.**
2. Remove all power:
 - a. Disconnect each power cord from the power source.
 - b. Disconnect each power cord from the server.
3. Do one of the following:
 - a. **Extend the server from the rack.**
 - b. **Remove the server from the rack.**
4. **Remove the access panel.**
5. Remove the DIMM.



To replace the component, reverse the removal procedure.

Removing and replacing an NVDIMM

⚠ CAUTION:

Do not remove an NVDIMM when any LEDs on any NVDIMM in the system are illuminated. Removing an NVDIMM when an LED is illuminated might cause a loss of data.

⚠ CAUTION:

Electrostatic discharge can damage electronic components. Be sure you are properly grounded before beginning this procedure.

⚠ CAUTION:

Failure to properly handle DIMMs can cause damage to DIMM components and the system board connector.

To identify NVDIMMs installed in the server, see "[NVDIMM identification](#)"

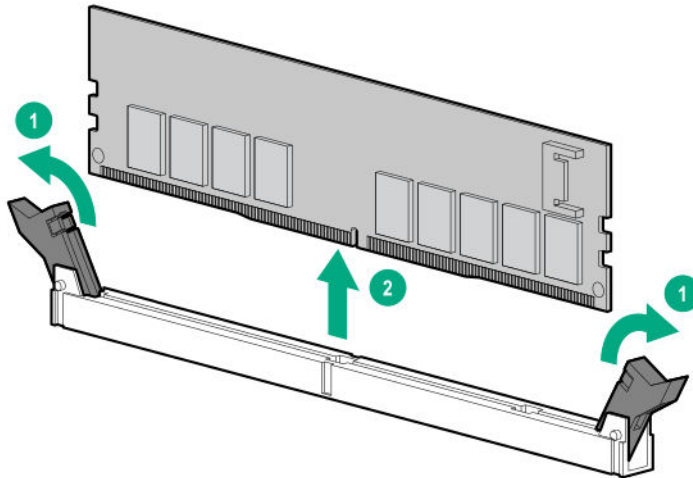
Prerequisites

Before replacing memory, read the memory configuration and population guidelines in the server user guide.

Procedure

1. Observe [NVDIMM relocation guidelines](#).
2. **Power down the server.**
3. Remove all power:
 - a. Disconnect each power cord from the power source.
 - b. Disconnect each power cord from the server.
4. Do one of the following:

- a. **Extend the server from the rack.**
 - b. **Remove the server from the rack.**
5. **Remove the access panel.**
 6. Observe the NVDIMM LEDs. Do not remove an NVDIMM when any NVDIMM LED in the system is illuminated.
 7. Remove the NVDIMM-N.



To replace the component, reverse the removal procedure.

DIMM and NVDIMM population information

For specific DIMM and NVDIMM population information, see the DIMM population guidelines on the Hewlett Packard Enterprise website (<http://www.hpe.com/docs/memory-population-rules>).

NVDIMM sanitization

Media sanitization is defined by NIST SP800-88 Guidelines for Media Sanitization (Rev 1, Dec 2014) as "a general term referring to the actions taken to render data written on media unrecoverable by both ordinary and extraordinary means."

The specification defines the following levels:

- Clear: Overwrite user-addressable storage space using standard write commands; might not sanitize data in areas not currently user-addressable (such as bad blocks and overprovisioned areas)
- Purge: Overwrite or erase all storage space that might have been used to store data using dedicated device sanitize commands, such that data retrieval is "infeasible using state-of-the-art laboratory techniques"
- Destroy: Ensure that data retrieval is "infeasible using state-of-the-art laboratory techniques" and render the media unable to store data (such as disintegrate, pulverize, melt, incinerate, or shred)

The NVDIMM-N Sanitize options are intended to meet the Purge level.

For more information on sanitization for NVDIMMs, see the following sections in the *HPE 16GB NVDIMM User Guide* on the Hewlett Packard Enterprise website (<http://www.hpe.com/info/nvdimm-docs>):

- NVDIMM sanitization policies
- NVDIMM sanitization guidelines
- Setting the NVDIMM-N Sanitize/Erase on the Next Reboot Policy

NIST SP800-88 *Guidelines for Media Sanitization* (Rev 1, Dec 2014) is available for download from the NIST website (<http://nvlpubs.nist.gov/nistpubs/SpecialPublications/NIST.SP.800-88r1.pdf>).

NVDIMM relocation guidelines

Requirements for relocating NVDIMMs or a set of NVDIMMs when the data must be preserved

- The destination server hardware must match the original server hardware configuration.
- All System Utilities settings in the destination server must match the original System Utilities settings in the original server.
- If NVDIMM-Ns are used with NVDIMM Interleaving ON mode in the original server, do the following:
 - Install the NVDIMMs in the same DIMM slots in the destination server.
 - Install the entire NVDIMM set (all the NVDIMM-Ns on the processor) on the destination server.

This guideline would apply when replacing a system board due to system failure.

If any of the requirements cannot be met during NVDIMM relocation, do the following:

- Manually back up the NVDIMM-N data before relocating NVDIMM-Ns to another server.
- Relocate the NVDIMM-Ns to another server.
- Sanitize all NVDIMM-Ns on the new server before using them.

Requirements for relocating NVDIMMs or a set of NVDIMMs when the data does not have to be preserved

If data on the NVDIMM-N or set of NVDIMM-Ns does not have to be preserved, then

- Move the NVDIMM-Ns to the new location and sanitize all NVDIMM-Ns after installing them to the new location. For more information, see [NVDIMM sanitization](#) on page 58.
- Observe all DIMM and NVDIMM population guidelines. For more information, see [DIMM and NVDIMM population information](#) on page 58.
- Observe the process for removing an NVDIMM.
- Observe the process for installing an NVDIMM.
- Review and configure the system settings for NVDIMMs. For more information, see [Configuring the server for NVDIMMs](#) on page 60.

Recovering restored data from an NVDIMM-N DRAM

⚠ CAUTION:

Do not remove an NVDIMM when any LEDs on any NVDIMM in the system are illuminated. Removing an NVDIMM when an LED is illuminated might cause a loss of data.

⚠ CAUTION:

Electrostatic discharge can damage electronic components. Be sure you are properly grounded before beginning this procedure.

⚠ CAUTION:

Failure to properly handle DIMMs can damage the DIMM components and the system board connector. For more information, see the DIMM handling guidelines in the troubleshooting guide for your product on the Hewlett Packard Enterprise website (<http://www.hpe.com/info/enterprise-docs>).

When the NVDIMM-N DRAM contains the only copy of restored data, perform the following procedure to recover the information:

Procedure

1. Copy the data from the NVDIMM to some other storage device (such as SSD, HDD, or another NVDIMM) as soon as possible (before cold reset or power loss).
2. Power down the server.
3. Extend or remove the server.
4. Remove the access panel.
5. Remove all components necessary to access the server DIMM slots and the HPE Smart Storage Battery.
For more information, see the server maintenance and service guide on the Hewlett Packard Enterprise website (<http://www.hpe.com/info/enterprise-docs>).
6. Observe the NVDIMM LEDs. Do not remove an NVDIMM when any NVDIMM LED in the system is illuminated.
7. Remove the NVDIMM-N.
8. Install a replacement NVDIMM-N.
9. Install any components removed to access the DIMM slots and the HPE Smart Storage Battery.
10. Install the access panel.
11. Install the server in the rack.
12. Power up the server.
13. Sanitize the replacement NVDIMM.
14. Copy the data from the storage device to the NVDIMM-N.

Configuring the server for NVDIMMs

After installing NVDIMMs, configure the server for NVDIMMs. For information on configuring settings for NVDIMMs, see the *HPE 16GB NVDIMM User Guide* on the Hewlett Packard Enterprise website (<http://www.hpe.com/info/nvdimm-docs>).

The server can be configured for NVDIMMs using either of the following:

- UEFI System Utilities—Use System Utilities through the Remote Console to configure the server for NVDIMM memory options by pressing the **F9** key during POST. For more information about UEFI System Utilities, see the Hewlett Packard Enterprise website (<http://www.hpe.com/info/uefi/docs>).
- iLO RESTful API for HPE iLO 5—For more information about configuring the system for NVDIMMs, see <https://hewlettpackard.github.io/ilo-rest-api-docs/ilo5/>.

Removing and replacing the system battery

The system battery provides power to the real-time clock. If the server no longer automatically displays the correct date and time, you might need to replace the system battery.



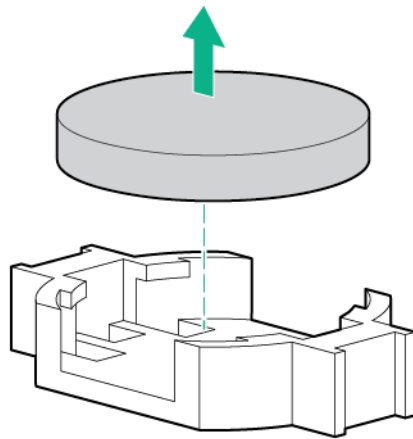
WARNING:

The computer contains an internal lithium manganese dioxide, a vanadium pentoxide, or an alkaline battery pack. A risk of fire and burns exists if the battery pack is not properly handled. To reduce the risk of personal injury:

- Do not attempt to recharge the battery.
 - Do not expose the battery to temperatures higher than 60°C (140°F).
 - Do not disassemble, crush, puncture, short external contacts, or dispose of in fire or water.
 - Replace only with the spare designated for this product.
-

Procedure

1. Power down the server (**Power down the server** on page 33).
2. Remove all power:
 - Disconnect each power cord from the power source.
 - Disconnect each power cord from the server.
3. Do one of the following:
 - a. Extend the server from the rack (**Extend the server from the rack** on page 34).
 - b. Remove the server from the rack (**Remove the server from the rack** on page 34).
4. Remove the access panel (**Remove the access panel** on page 35).
5. Locate the battery (**System board components** on page 96).
6. Remove the battery.

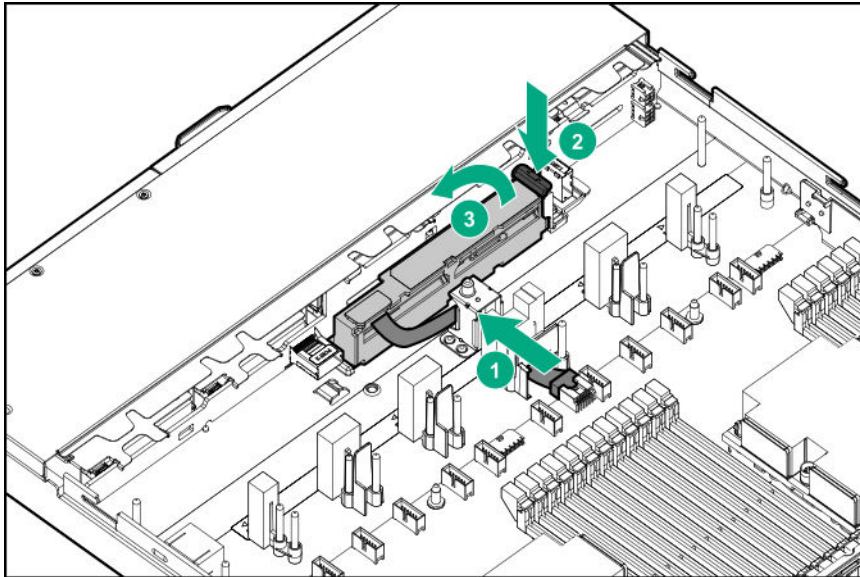


7. To replace the component, reverse the removal procedure.
8. Properly dispose of the old battery.
For more information about battery replacement or proper disposal, contact an authorized reseller or an authorized service provider.

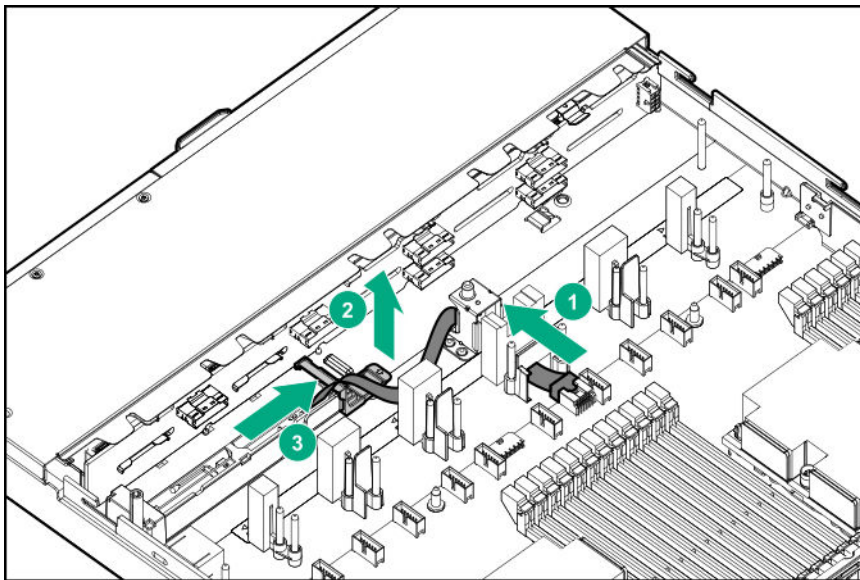
Removing and replacing the Smart Storage Battery

Procedure

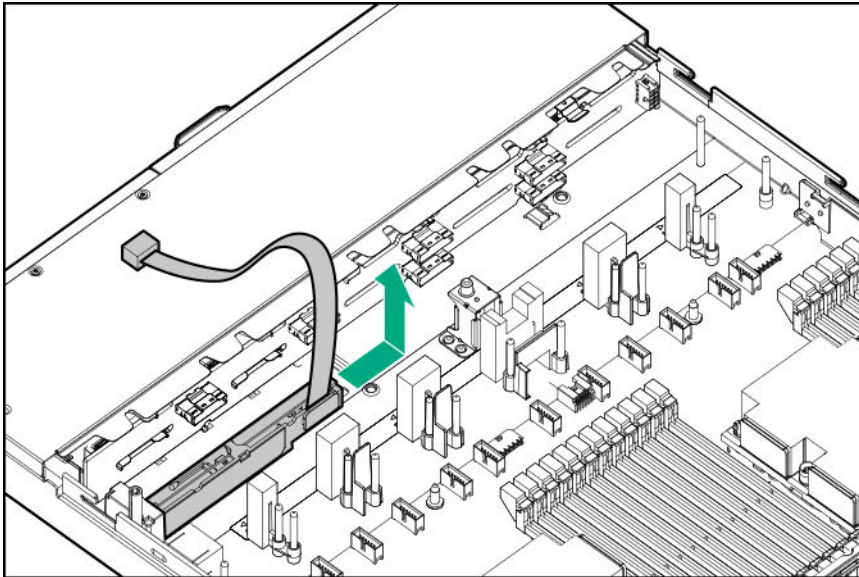
1. **Power down the server.**
2. Remove all power:
 - a. Disconnect each power cord from the power source.
 - b. Disconnect each power cord from the server.
3. Do one of the following:
 - a. **Extend the server from the rack.**
 - b. **Remove the server from the rack.**
4. **Remove the access panel.**
5. Disconnect the cable and then remove the battery.



To remove the battery from the 10NVMe configuration:



When removing the cable, remove the cable and cable extender.



To replace the component, reverse the removal procedure.

Removing and replacing a processor heatsink assembly

Procedure

1. Observe the following alerts:



CAUTION:

To avoid damage to the processor or system board, only authorized personnel should attempt to replace or install the processor in this server.



CAUTION:

If installing a processor with a faster speed, update the system ROM before installing the processor.

To download firmware and view installation instructions, see the [Hewlett Packard Enterprise Support Center website](#).



CAUTION:

To prevent possible server malfunction and damage to the equipment, multiprocessor configurations must contain processors with the same part number.



CAUTION:

THE CONTACTS ARE VERY FRAGILE AND EASILY DAMAGED. To avoid damage to the socket or processor, do not touch the contacts.

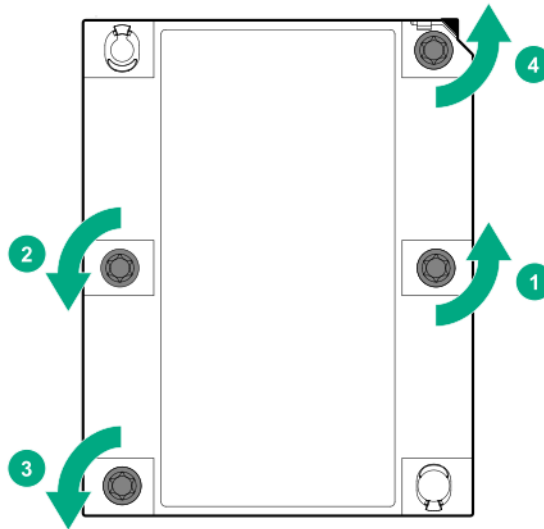


CAUTION:

When handling the heatsink, always hold it along the top and bottom of the fins. Holding it from the sides can damage the fins.

-
- ⚠ CAUTION:**
Observe the label on the heatsink. Tightening or loosening the screws in the wrong order can damage the heatsink.
-

2. **Power down the server.**
3. Remove all power:
 - a. Disconnect each power cord from the power source.
 - b. Disconnect each power cord from the server.
4. Do one of the following:
 - a. **Extend the server from the rack.**
 - b. **Remove the server from the rack.**
5. **Remove the access panel.**
6. Remove the processor heatsink assembly:
 - a. Allow the heatsink to cool.
 - b. Loosen the heatsink nuts in the order specified by the label on the heatsink.



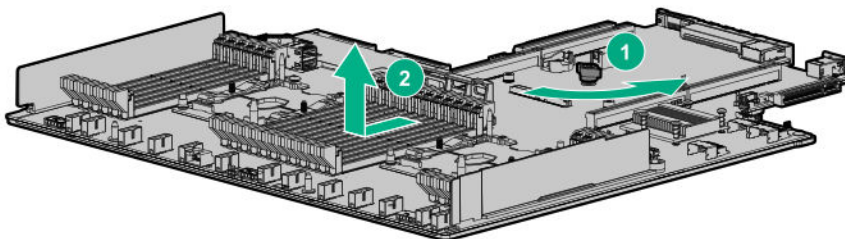
- c. Lift the processor heatsink assembly and move it away from the system board.
- d. Turn the assembly over and place it on a work surface with the processor facing up.
- e. Install the dust cover.

To replace the component, reverse the removal procedure.

Removing and replacing the system board

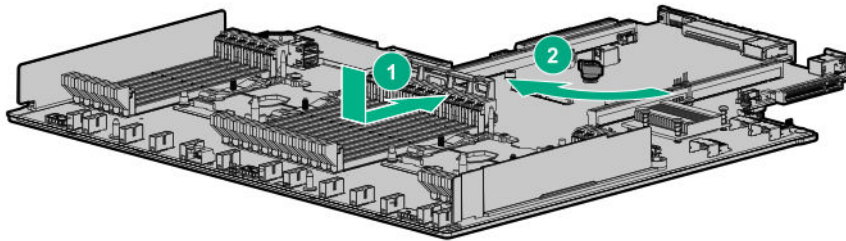
Procedure

1. **Power down the server.**
2. Remove all power:
 - a. Disconnect each power cord from the power source.
 - b. Disconnect each power cord from the server.
3. Do one of the following:
 - a. **Extend the server from the rack.**
 - b. **Remove the server from the rack.**
4. Remove all power supplies.
5. **Remove the access panel.**
6. Take note of port numbers and cables connections to risers and the system board.
7. Disconnect and remove all cables that are connected to risers or the system board.
8. **Remove all riser cages.**
9. **Remove the GPU support bracket.**
10. **Remove the controller.**
11. **Remove all fans.**
12. **Remove all fan blanks.**
13. **Remove the FlexibleLOM.**
14. **Remove all DIMMs.**
15. Do the following:
 - a. Observe guidelines and procedures for **NVDIMM relocation.**
 - b. **Remove all NVDIMMs**
16. **Remove the processor heatsink assembly.**
17. Loosen the system board thumbscrew, and then remove the system board.



To replace the component:

1. Install the spare system board.



2. Install all components removed from the failed system board.
3. Install the access panel.
4. Install the power supplies.
5. Power up the server.

After you replace the system board, you must re-enter the server serial number and the product ID:

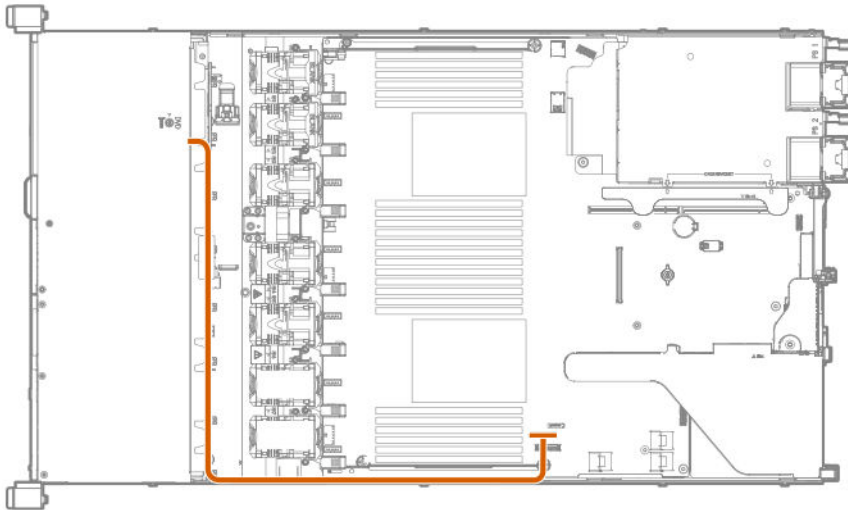
1. During the server startup sequence, press the **F9** key to access UEFI System Utilities.
2. Select **System Configuration > BIOS/Platform Configuration (RBSU) > Advanced Options > Advanced System ROM Options > Serial Number**, and then press the **Enter** key.
3. Enter the serial number and press the **Enter** key. The following message appears:
The serial number should only be modified by qualified service personnel. This value should always match the serial number located on the chassis.
4. To clear the warning, press the **Enter** key.
5. Enter the serial number and press the **Enter** key.
6. Select Product ID. The following warning appears:
Warning: The Product ID should ONLY be modified by qualified service personnel. This value should always match the Product ID located on the chassis.
7. Enter the product ID and press the **Enter** key.
8. To confirm exiting System Utilities, press the **F10** key.
9. The server automatically reboots.

Removing and replacing the LFF optical disk drive/display port/USB

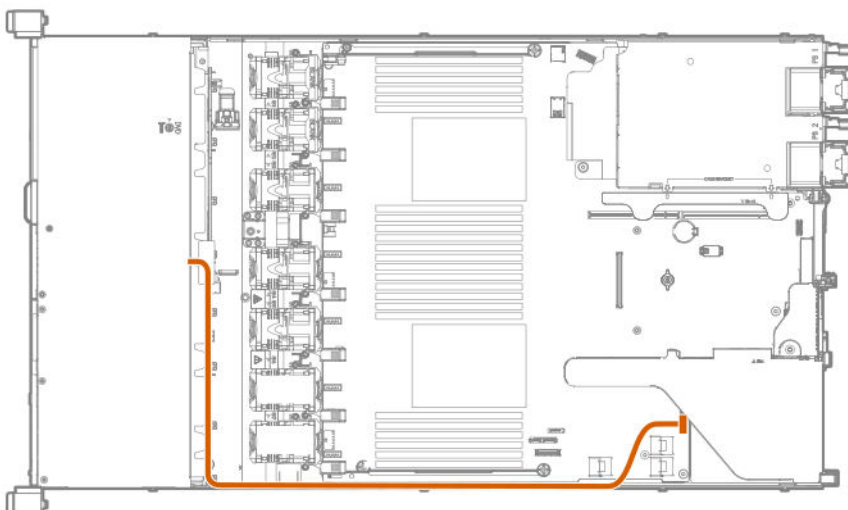
Procedure

1. **Power down the server.**
2. Remove all power:

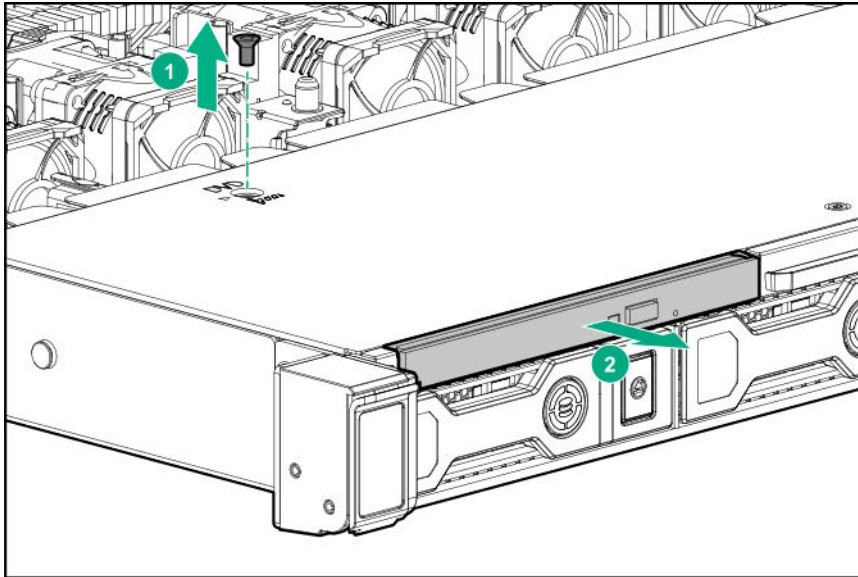
- a. Disconnect each power cord from the power source.
 - b. Disconnect each power cord from the server.
3. Do one of the following:
- a. **Extend the server from the rack.**
 - b. **Remove the server from the rack.**
4. **Remove the access panel.**
5. Disconnect the optical drive cable from the system board.



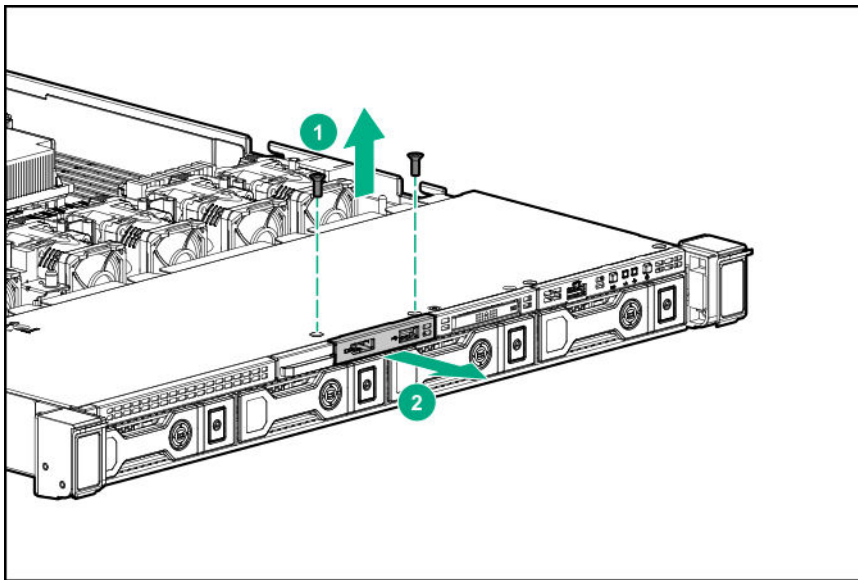
6. Disconnect the display port/USB cable from the system board.



7. Remove the component.
Optical disk drive



Display port/USB



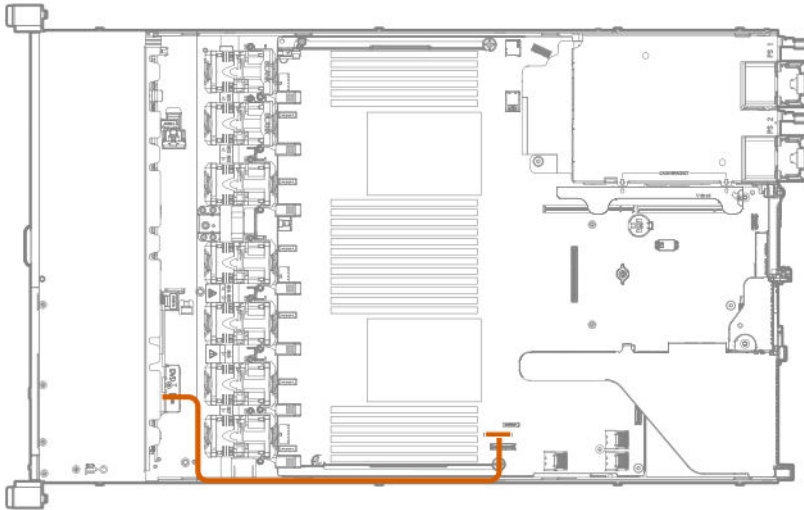
To replace the component, reverse the removal procedure.

Removing and replacing the SFF optical disk drive/display port/USB

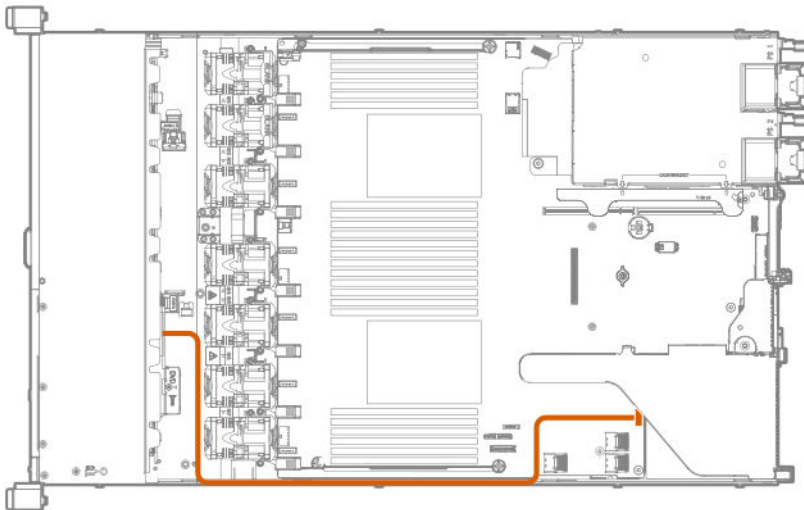
Procedure

1. **Power down the server.**
2. Remove all power:
 - a. Disconnect each power cord from the power source.
 - b. Disconnect each power cord from the server.

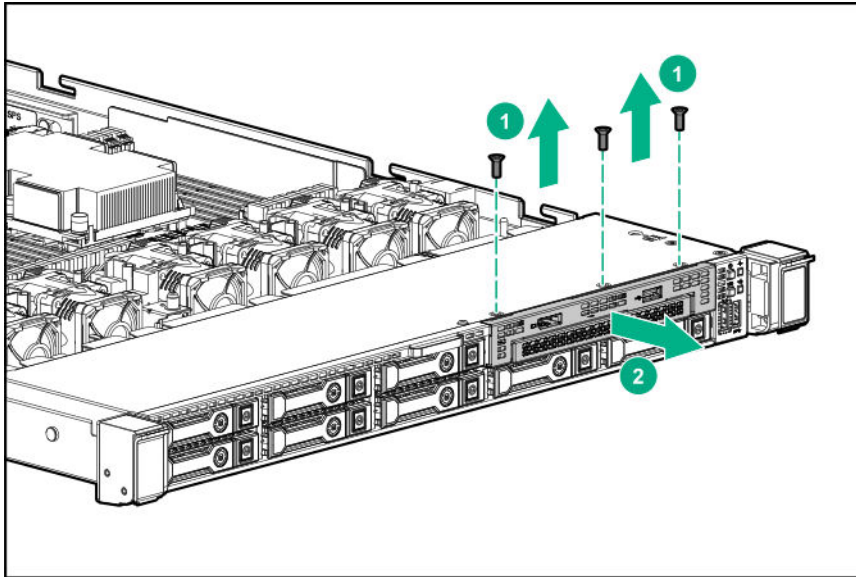
3. Do one of the following:
 - a. **Extend the server from the rack.**
 - b. **Remove the server from the rack.**
4. **Remove the access panel.**
5. If needed, disconnect the optical disk drive cable from the system board.



6. Disconnect the display port/USB cable from the system board.



7. Remove the component.

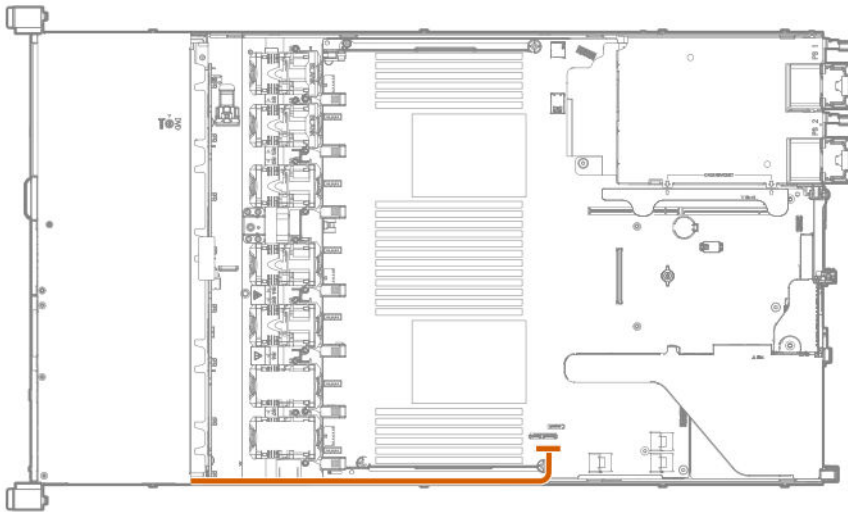


To replace the component, reverse the removal procedure.

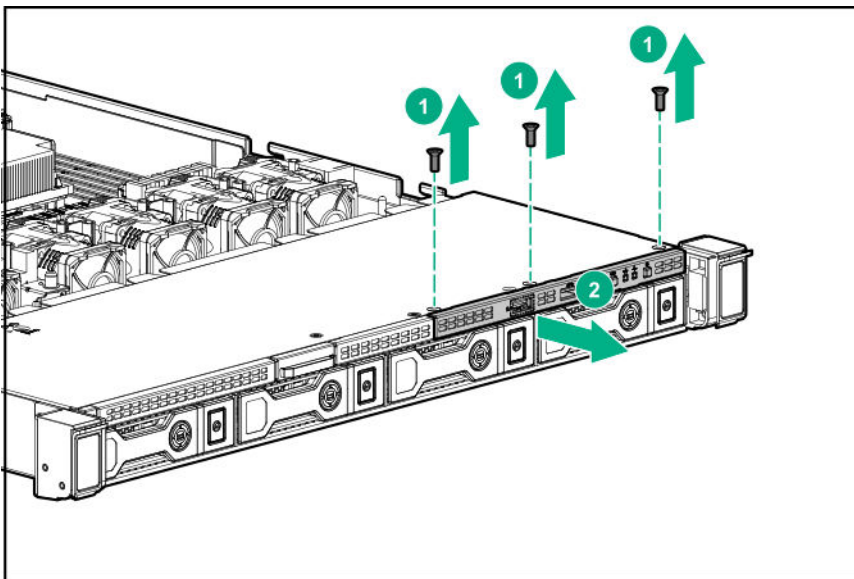
Removing and replacing the LFF power switch module

Procedure

1. **Power down the server.**
2. Remove all power:
 - a. Disconnect each power cord from the power source.
 - b. Disconnect each power cord from the server.
3. Do one of the following:
 - a. **Extend the server from the rack.**
 - b. **Remove the server from the rack.**
4. **Remove the access panel.**
5. Disconnect the cable from the system board.



6. Remove the power module.



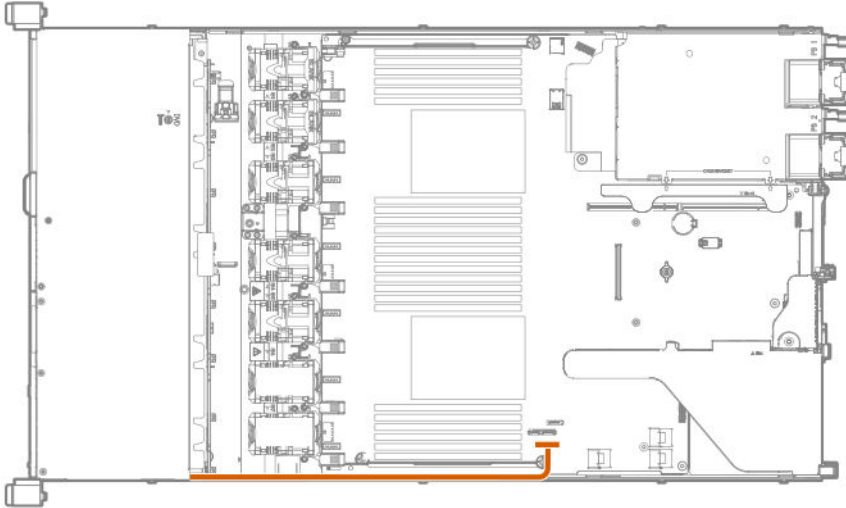
To replace the component, reverse the removal procedure.

Removing and replacing the Systems Insight Display power module

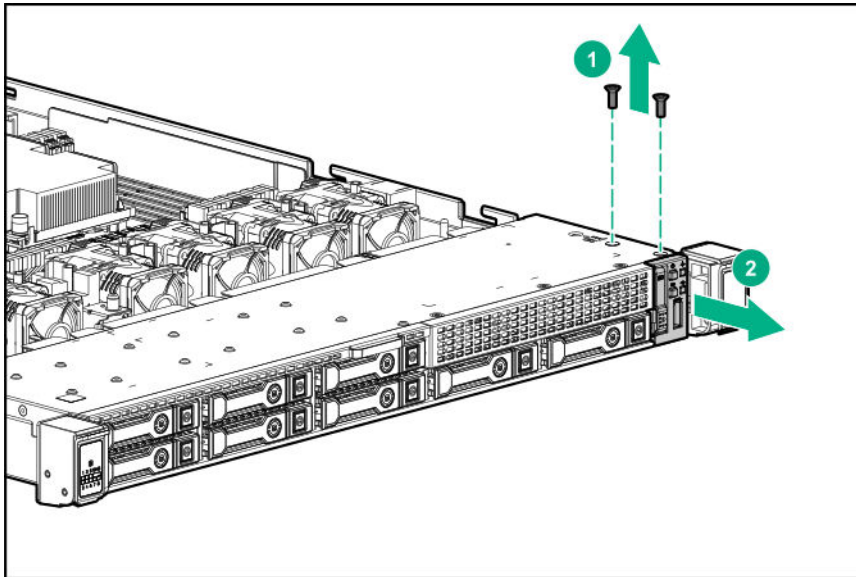
Procedure

1. **Power down the server.**
2. Remove all power:
 - a. Disconnect each power cord from the power source.
 - b. Disconnect each power cord from the server.

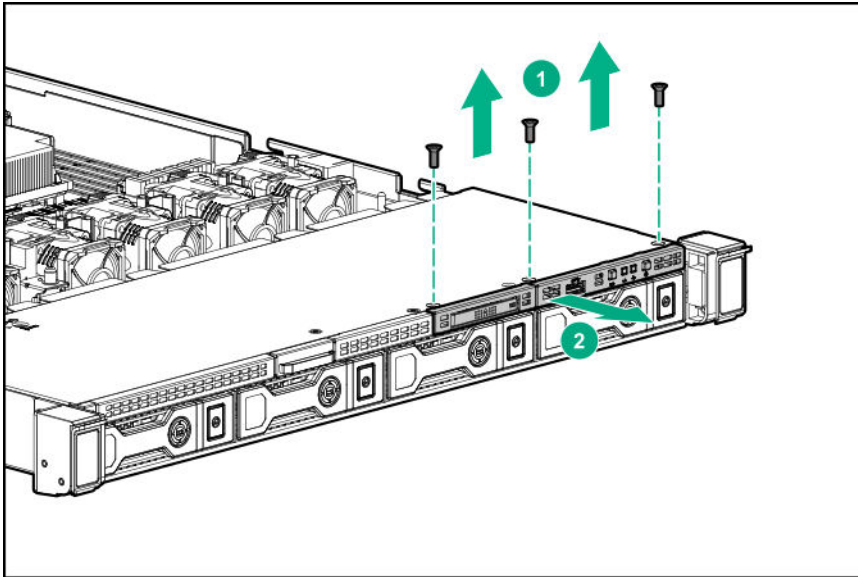
3. Do one of the following:
 - a. **Extend the server from the rack.**
 - b. **Remove the server from the rack.**
4. **Remove the access panel.**
5. Disconnect the cable from the system board.



6. Remove the component.
SFF



LFF

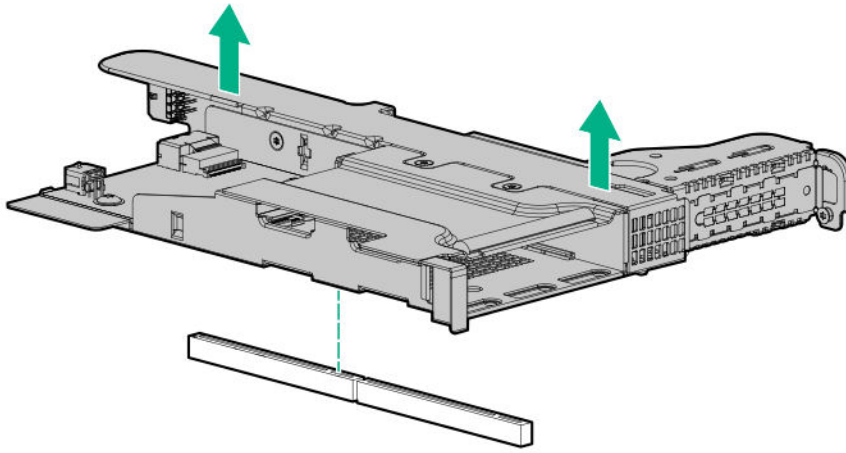


To replace the component, reverse the removal procedure.

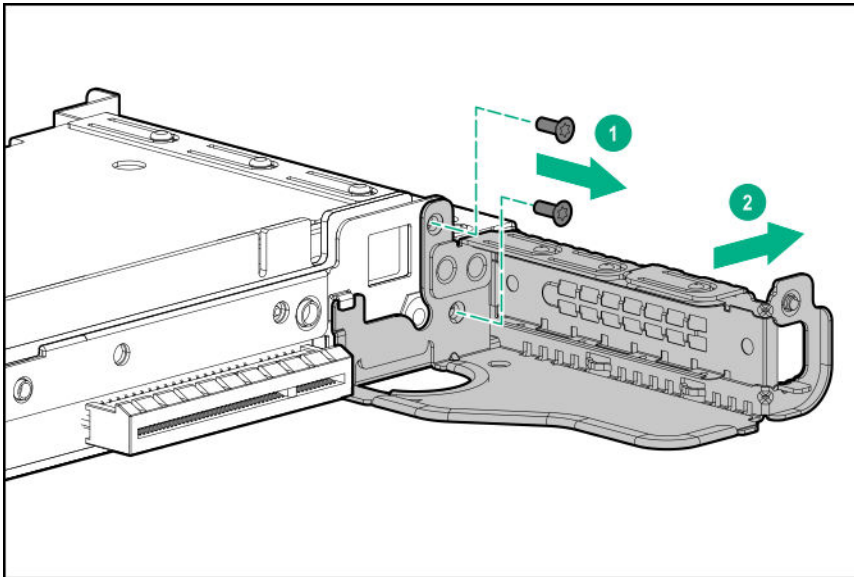
Removing and replacing the rear SFF drive cage

Procedure

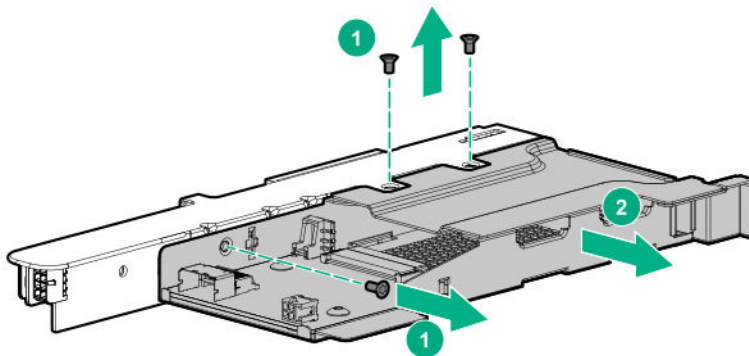
1. **Power down the server.**
2. Remove all power:
 - a. Disconnect each power cord from the power source.
 - b. Disconnect each power cord from the server.
3. Do one of the following:
 - a. **Extend the server from the rack.**
 - b. **Remove the server from the rack.**
4. **Remove the access panel.**
5. Remove the drive or drive blank from the drive cage.
6. Disconnect all cables from the drive backplane.
7. Remove the drive cage.



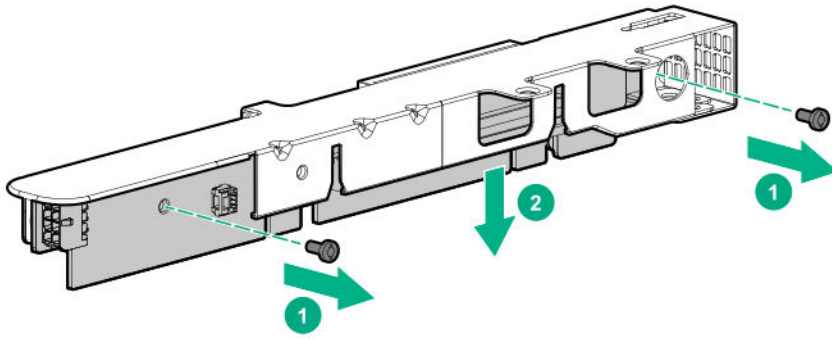
8. Remove the slot 2 bracket from the riser cage.



9. Remove the drive cage from the riser cage.



10. Remove the riser from the riser cage.

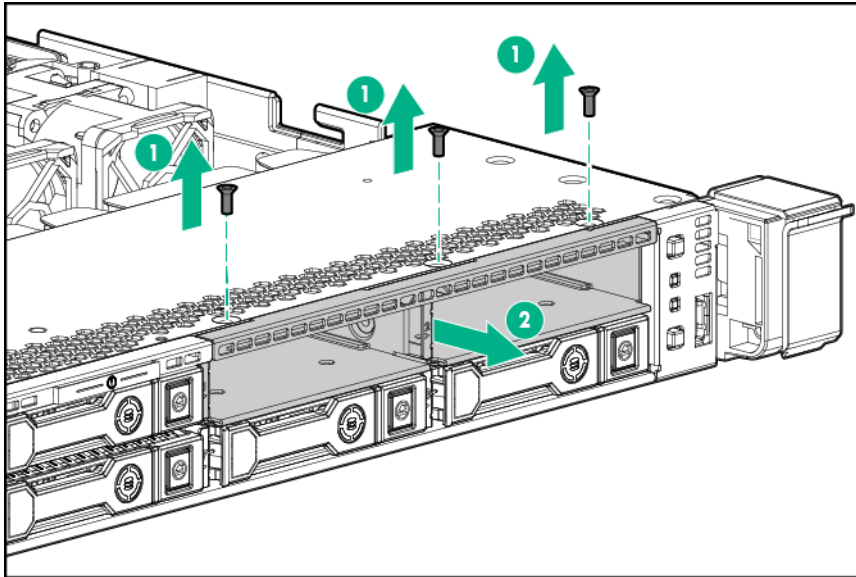


To replace the component, reverse the removal procedure.

Removing and replacing the 2SFF drive cage

Procedure

1. **Power down the server.**
2. Remove all power:
 - a. Disconnect each power cord from the power source.
 - b. Disconnect each power cord from the server.
3. Do one of the following:
 - a. **Extend the server from the rack.**
 - b. **Remove the server from the rack.**
4. **Remove the access panel.**
5. Remove drives and drive blanks.
Note where each drive is located.
6. Disconnect all cables from the drive backplane.
7. Remove the drive cage.

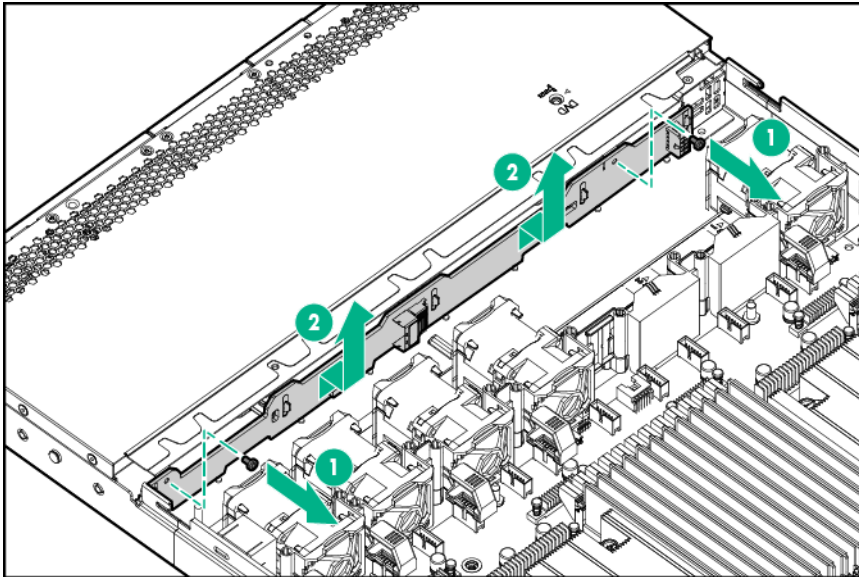


To replace the component, reverse the removal procedure.

Removing and replacing the 4LFF drive backplane

Procedure

1. **Power down the server.**
2. Remove all power:
 - a. Disconnect each power cord from the power source.
 - b. Disconnect each power cord from the server.
3. Do one of the following:
 - a. **Extend the server from the rack.**
 - b. **Remove the server from the rack.**
4. **Remove the access panel.**
5. Remove all drives and drive blanks.
Note where each drive is located.
6. **If installed, remove the Smart Storage Battery.**
7. Disconnect all cables from the drive backplane.
8. Remove the drive backplane.

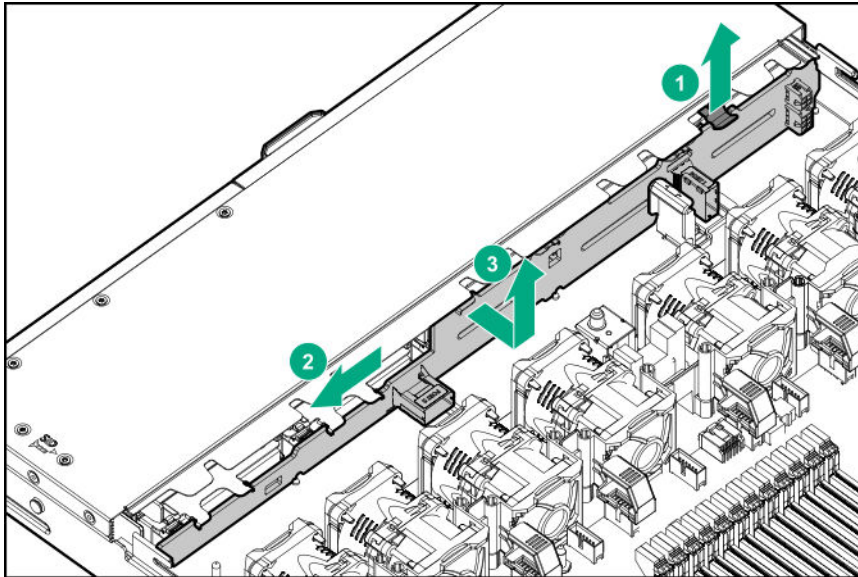


To replace the component, reverse the removal procedure.

Removing and replacing the 8SFF drive backplane

Procedure

1. **Power down the server.**
2. Remove all power:
 - a. Disconnect each power cord from the power source.
 - b. Disconnect each power cord from the server.
3. Do one of the following:
 - a. **Extend the server from the rack.**
 - b. **Remove the server from the rack.**
4. **Remove the access panel.**
5. Remove all drives and drive blanks.
Note where each drive is located.
6. **If installed, remove the Smart Storage Battery.**
7. Disconnect and remove all cables from the drive backplane.
8. Remove the drive backplane.



To replace the component, reverse the removal procedure.

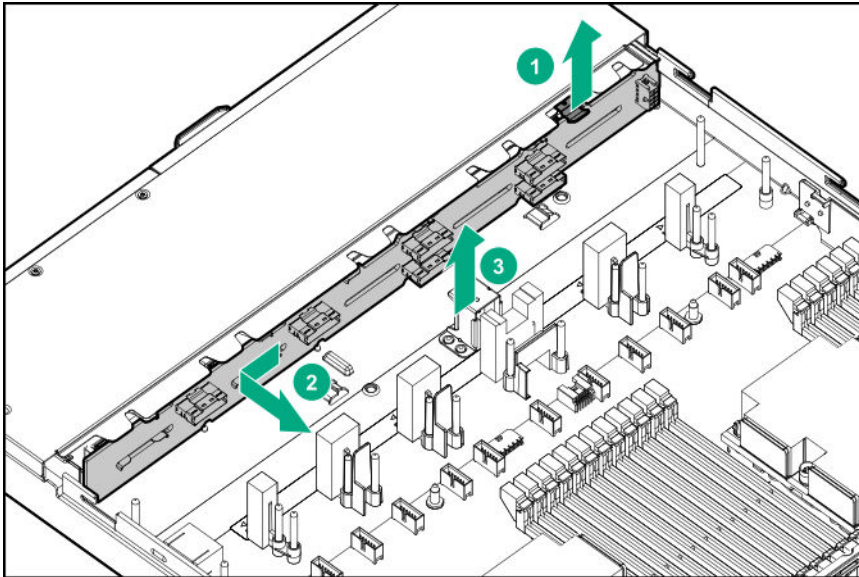
Removing and replacing the 10SFF drive backplane

⚠ CAUTION:

To prevent damage to electrical components, take the appropriate anti-static precautions before beginning any system installation. Improper grounding can cause electrostatic discharge.

Procedure

1. Back up all server data.
2. **Power down the server.**
3. Do one of the following:
 - **Extend the server from the rack.**
 - **Remove the server from the rack.**
4. **Remove the access panel.**
5. Remove all drives and drive blanks.
Note where each drive is located.
6. **If installed, remove the Smart Storage Battery.**
7. Disconnect all cables from the drive backplane.
8. Remove the drive backplane.



To replace the component, reverse the removal procedure.

HPE Trusted Platform Module 2.0 Gen10 Option

The HPE Trusted Platform Module 2.0 Gen10 Option is not a customer-removable part.

⚠ CAUTION:
If the TPM is removed from the original server and powered up on a different server, data stored in the TPM including keys will be erased.

If you suspect a TPM board failure, leave the TPM installed and remove the system board. Contact a Hewlett Packard Enterprise authorized service provider for a replacement system board and TPM board.

Troubleshooting

Troubleshooting resources

Troubleshooting resources are available for HPE Gen10 server products in the following documents:

- *Troubleshooting Guide for HPE ProLiant Gen10 servers* provides procedures for resolving common problems and comprehensive courses of action for fault isolation and identification, issue resolution, and software maintenance.
- *Error Message Guide for HPE ProLiant Gen10 servers and HPE Synergy* provides a list of error messages and information to assist with interpreting and resolving error messages.
- *Integrated Management Log Messages and Troubleshooting Guide for HPE ProLiant Gen10 and HPE Synergy* provides IML messages and associated troubleshooting information to resolve critical and cautionary IML events.

To access the troubleshooting resources, see the Hewlett Packard Enterprise Information Library (<http://www.hpe.com/info/gen10-troubleshooting>).

Diagnostic tools

Product QuickSpecs

For more information about product features, specifications, options, configurations, and compatibility, see the product QuickSpecs on the Hewlett Packard Enterprise website (<http://www.hpe.com/info/qs>).

UEFI System Utilities

The UEFI System Utilities is embedded in the system ROM. Its features enable you to perform a wide range of configuration activities, including:

- Configuring system devices and installed options.
- Enabling and disabling system features.
- Displaying system information.
- Selecting the primary boot controller or partition.
- Configuring memory options.
- Launching other preboot environments.

HPE servers with UEFI can provide:

- Support for boot partitions larger than 2.2 TB. Such configurations could previously only be used for boot drives when using RAID solutions.
- Secure Boot that enables the system firmware, option card firmware, operating systems, and software collaborate to enhance platform security.
- UEFI Graphical User Interface (GUI)
- An Embedded UEFI Shell that provides a preboot environment for running scripts and tools.
- Boot support for option cards that only support a UEFI option ROM.

Selecting the boot mode

This server provides two **Boot Mode** configurations: UEFI Mode and Legacy BIOS Mode. Certain boot options require that you select a specific boot mode. By default, the boot mode is set to **UEFI Mode**. The system must boot in **UEFI Mode** to use certain options, including:

- Secure Boot, UEFI Optimized Boot, Generic USB Boot, IPv6 PXE Boot, iSCSI Boot, and Boot from URL
- Fibre Channel/FCoE Scan Policy

NOTE:

The boot mode you use must match the operating system installation. If not, changing the boot mode can impact the ability of the server to boot to the installed operating system.

Prerequisite

When booting to **UEFI Mode**, leave **UEFI Optimized Boot** enabled.

Procedure

1. From the **System Utilities** screen, select **System Configuration > BIOS/Platform Configuration (RBSU) > Boot Options > Boot Mode**.
2. Select a setting.
 - **UEFI Mode** (default)—Configures the system to boot to a UEFI compatible operating system.
 - **Legacy BIOS Mode**—Configures the system to boot to a traditional operating system in Legacy BIOS compatibility mode.
3. Save your setting.
4. Reboot the server.

Secure Boot

Secure Boot is a server security feature that is implemented in the BIOS and does not require special hardware. Secure Boot ensures that each component launched during the boot process is digitally signed and that the signature is validated against a set of trusted certificates embedded in the UEFI BIOS. Secure Boot validates the software identity of the following components in the boot process:

- UEFI drivers loaded from PCIe cards
- UEFI drivers loaded from mass storage devices
- Preboot UEFI Shell applications
- OS UEFI boot loaders

When Secure Boot is enabled:

- Firmware components and operating systems with boot loaders must have an appropriate digital signature to execute during the boot process.
- Operating systems must support Secure Boot and have an EFI boot loader signed with one of the authorized keys to boot. For more information about supported operating systems, see <http://www.hpe.com/servers/ossupport>.

You can customize the certificates embedded in the UEFI BIOS by adding or removing your own certificates, either from a management console directly attached to the server, or by remotely connecting to the server using the iLO Remote Console.

You can configure Secure Boot:

- Using the **System Utilities** options described in the following sections.
- Using the iLO RESTful API to clear and restore certificates. For more information, see the Hewlett Packard Enterprise website (<http://www.hpe.com/info/redfish>).
- Using the `secboot` command in the Embedded UEFI Shell to display Secure Boot databases, keys, and security reports.

Launching the Embedded UEFI Shell

Use the **Embedded UEFI Shell** option to launch the Embedded UEFI Shell. The Embedded UEFI Shell is a pre-boot command-line environment for scripting and running UEFI applications, including UEFI boot loaders.

The Shell also provides CLI-based commands you can use to obtain system information, and to configure and update the system BIOS.

Prerequisites

Embedded UEFI Shell is set to enabled.

Procedure

1. From the **System Utilities** screen, select **Embedded Applications > Embedded UEFI Shell**.

The **Embedded UEFI Shell** screen appears.

2. Press any key to acknowledge that you are physically present.

This step ensures that certain features, such as disabling **Secure Boot** or managing the **Secure Boot** certificates using third-party UEFI tools, are not restricted.

3. If an administrator password is set, enter it at the prompt and press **Enter**.

The `Shell>` prompt appears.

4. Enter the commands required to complete your task.

5. Enter the `exit` command to exit the Shell.

Intelligent Provisioning

Intelligent Provisioning is a single-server deployment tool embedded in ProLiant servers and HPE Synergy compute modules. Intelligent Provisioning simplifies server setup, providing a reliable and consistent way to deploy servers.

Intelligent Provisioning prepares the system for installing original, licensed vendor media and Hewlett Packard Enterprise-branded versions of OS software. Intelligent Provisioning also prepares the system to integrate optimized server support software from the Service Pack for ProLiant (SPP). SPP is a comprehensive systems software and firmware solution for ProLiant servers, server blades, their enclosures, and HPE Synergy compute modules. These components are preloaded with a basic set of firmware and OS components that are installed along with Intelligent Provisioning.

IMPORTANT:

HPE ProLiant XL servers do not support operating system installation with Intelligent Provisioning, but they do support the maintenance features. For more information, see "Performing Maintenance" in the *Intelligent Provisioning User Guide* and online help.

After the server is running, you can update the firmware to install additional components. You can also update any components that have been outdated since the server was manufactured.

To access Intelligent Provisioning:

- Press **F10** from the POST screen.
- From the iLO web browser user interface using **Always On**. **Always On** allows you to access Intelligent Provisioning without rebooting your server.

Intelligent Provisioning operation

Intelligent Provisioning includes the following components:

- Critical boot drivers
- Active Health System (AHS)
- Erase Utility
- Deployment Settings

! **IMPORTANT:**

- Although your server is pre-loaded with firmware and drivers, you should update the firmware upon initial setup to ensure you have the latest versions. Also, downloading and updating the latest version of Intelligent Provisioning ensures the latest supported features are available.
- For ProLiant servers, firmware is updated using the Intelligent Provisioning Firmware Update utility.
- For HPE Synergy compute modules, firmware is updated using HPE OneView.
- Do not update firmware if the version you are currently running is required for compatibility.

NOTE:

Intelligent Provisioning does not function within multihomed configurations. A multihomed host is one that is connected to two or more networks or has two or more IP addresses.

Intelligent Provisioning provides installation help for the following operating systems:

- Microsoft Windows Server
- Red Hat Enterprise Linux
- SUSE Linux Enterprise Server
- VMware ESXi/vSphere Custom Image

Not all versions of an OS are supported. For information about specific versions of a supported operating system, see the OS Support Matrix on the Hewlett Packard Enterprise website (<http://www.hpe.com/info/ossupport>).

HPE Insight Remote Support

Hewlett Packard Enterprise strongly recommends that you register your device for remote support to enable enhanced delivery of your Hewlett Packard Enterprise warranty, HPE support services, or Hewlett Packard Enterprise contractual support agreement. Insight Remote Support supplements your monitoring continuously to ensure maximum system availability by providing intelligent event diagnosis, and automatic, secure submission of hardware event notifications to Hewlett Packard Enterprise, which will initiate a fast and accurate resolution, based on your product's service level. Notifications can be sent to your authorized Hewlett Packard Enterprise Channel Partner for onsite service, if configured and available in your country.

For more information, see *Insight Remote Support and Insight Online Setup Guide for ProLiant Servers and BladeSystem c-Class Enclosures* on the [Hewlett Packard Enterprise website](#). Insight Remote Support is available as part of Hewlett Packard Enterprise Warranty, HPE support services, or Hewlett Packard Enterprise contractual support agreement.

USB support

Hewlett Packard Enterprise Gen10 servers support all USB operating speeds depending on the device that is connected to the server.

External USB functionality

Hewlett Packard Enterprise provides external USB support to enable local connection of USB devices for server administration, configuration, and diagnostic procedures.

For additional security, external USB functionality can be disabled through USB options in UEFI System Utilities.

HPE Smart Storage Administrator

HPE SSA is the main tool for configuring arrays on HPE Smart Array SR controllers. It exists in three interface formats: the HPE SSA GUI, the HPE SSA CLI, and HPE SSA Scripting. All formats provide support for configuration tasks. Some of the advanced tasks are available in only one format.

The diagnostic features in HPE SSA are also available in the standalone software HPE Smart Storage Administrator Diagnostics Utility CLI.

During the initial provisioning of the server or compute module, an array is required to be configured before the operating system can be installed. You can configure the array using SSA.

HPE SSA is accessible both offline (either through HPE Intelligent Provisioning or as a standalone bootable ISO image) and online:

- Accessing HPE SSA in the offline environment



IMPORTANT:

If you are updating an existing server in an offline environment, obtain the latest version of HPE SSA through Service Pack for ProLiant before performing configuration procedures.

Using one of multiple methods, you can run HPE SSA before launching the host operating system. In offline mode, users can configure or maintain detected and supported devices, such as optional Smart Array controllers and integrated Smart Array controllers. Some HPE SSA features are only available in the offline environment, such as setting the boot controller and boot volume.

- Accessing HPE SSA in the online environment

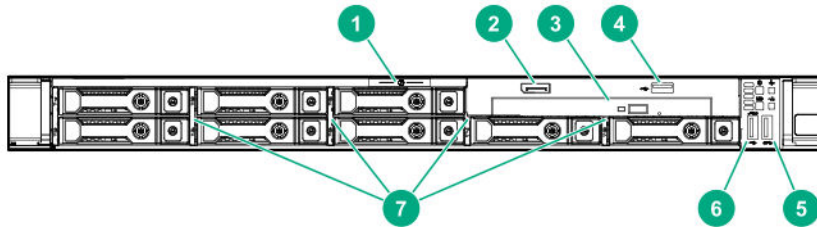
This method requires an administrator to download the HPE SSA executables and install them. You can run HPE SSA online after launching the host operating system.

For more information, see *HPE Smart Array SR Gen10 Configuration Guide* at the [**Hewlett Packard Enterprise website**](#).

Component identification

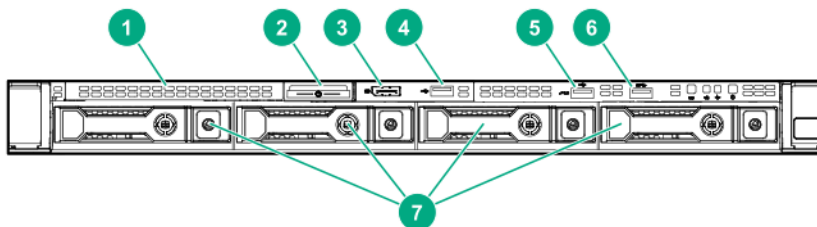
Front panel components

8 SFF



Item	Description
1	Serial label pull tab
2	Display port (optional)
3	Optical drive (optional)
4	USB 2.0 port (optional)
5	USB 3.0 port
6	iLO Service Port The operating system does not recognize this port as a USB port.
7	SAS/SATA drive bays

4 LFF

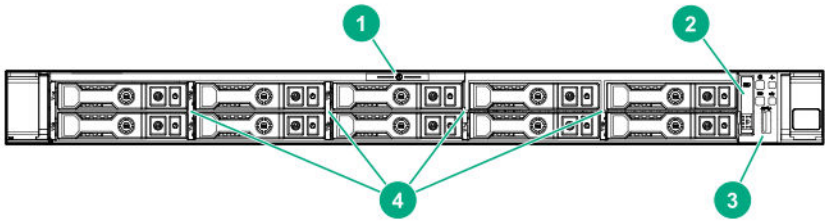


Item	Description
1	Optical drive blank (optional)
2	Serial label pull tab
3	Display port (optional)
4	USB 2.0 port (optional)

Table Continued

Item	Description
5	iLO Service Port The operating system does not recognize this port as a USB port.
6	USB 3.0 port
7	SAS/SATA drive bays

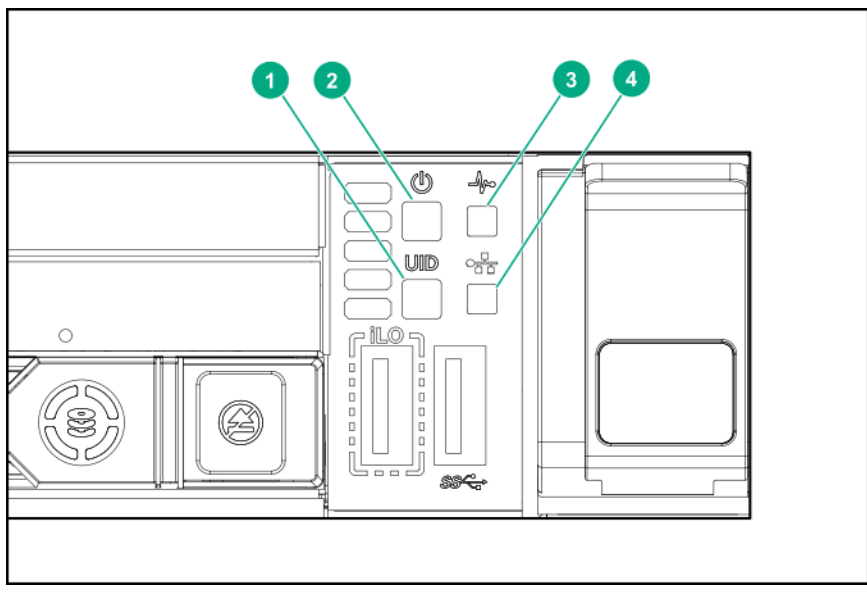
10 SFF NVMe/SAS Combo



Item	Description
1	Serial label pull tab
2	Systems Insight Display (optional)
3	USB 3.0 port
4	SAS/SATA/NVMe drive bays When the 10SFF NVMe/SAS backplane option is installed, NVMe drives must be installed in bays 9 and 10. The other bays support a mix of NVMe and SAS drives.

Front panel LEDs and buttons

8SFF/10SFF



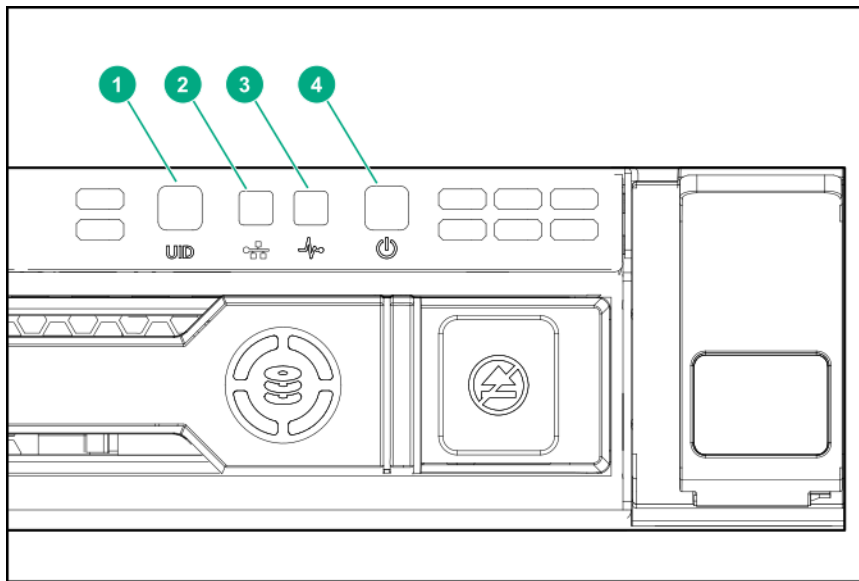
Item	Description	Status
1	UID button/LED*	Solid blue = Activated Flashing blue: <ul style="list-style-type: none"> • 1 Hz = Remote management or firmware upgrade in progress • 4 Hz = iLO manual reboot sequence initiated • 8 Hz = iLO manual reboot sequence in progress Off = Deactivated
2	Power On/Standby button and system power LED*	Solid green = System on Flashing green = Performing power on sequence Solid amber = System in standby Off = No power present**
3	Health LED*	Solid green = Normal Flashing green = iLO is rebooting Flashing amber = System degraded Flashing red = System critical†
4	NIC status LED*	Solid green = Link to network Flashing green = Network active Off = No network activity

*When all four LEDs described in this table flash simultaneously, a power fault has occurred.

**Facility power is not present, power cord is not attached, no power supplies are installed, power supply failure has occurred, or the power button cable is disconnected.

†If the health LED indicates a degraded or critical state, review the system IML or use iLO to review the system health status.

4LFF



Item	Description	Status
1	UID button/LED*	<p>Solid blue = Activated</p> <p>Flashing blue:</p> <ul style="list-style-type: none"> • 1 Hz = Remote management or firmware upgrade in progress • 4 Hz = iLO manual reboot sequence initiated • 8 Hz = iLO manual reboot sequence in progress <p>Off = Deactivated</p>
2	NIC status LED*	<p>Solid green = Link to network</p> <p>Flashing green = Network active</p> <p>Off = No network activity</p>
3	Health LED*	<p>Solid green = Normal</p> <p>Flashing green = iLO is rebooting</p> <p>Flashing amber = System degraded</p> <p>Flashing red = System critical**</p>
4	Power On/Standby button and system power LED*	<p>Solid green = System on</p> <p>Flashing green = Performing power on sequence</p> <p>Solid amber = System in standby</p> <p>Off = No power present†</p>

*When all four LEDs described in this table flash simultaneously, a power fault has occurred.

**To identify components in a degraded or critical state, see the Systems Insight Display LEDs, check iLO/BIOS logs, and reference the server troubleshooting guide.

†Facility power is not present, power cord is not attached, no power supplies are installed, power supply failure has occurred, or the power button cable is disconnected.

UID button functionality

The UID button can be used to display the HPE ProLiant Pre-boot Health Summary when the server will not power on. For more information, see the latest *HPE iLO User Guide* on the [Hewlett Packard Enterprise website](#).

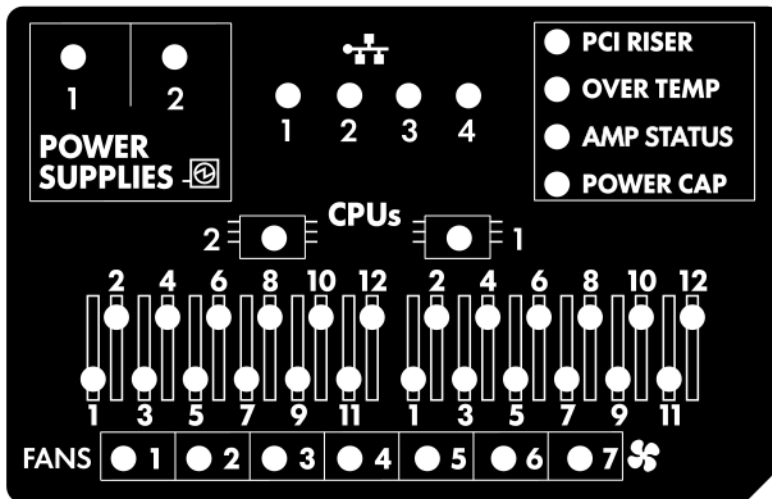
Front panel LED power fault codes

The following table provides a list of power fault codes, and the subsystems that are affected. Not all power faults are used by all servers.

Subsystem	LED behavior
System board	1 flash
Processor	2 flashes
Memory	3 flashes
Riser board PCIe slots	4 flashes
FlexibleLOM	5 flashes
Removable HPE Smart Array SR Gen10 controller	6 flashes
System board PCIe slots	7 flashes
Power backplane or storage backplane	8 flashes
Power supply	9 flashes

Systems Insight Display LEDs

The Systems Insight Display LEDs represent the system board layout. The display enables diagnosis with the access panel installed.



Description	Status
Processor LEDs	Off = Normal Amber = Failed processor
DIMM LEDs	Off = Normal Amber = Failed DIMM or configuration issue
Fan LEDs	Off = Normal Amber = Failed fan or missing fan
NIC LEDs	Off = No link to network Solid green = Network link Flashing green = Network link with activity If power is off, the front panel LED is not active. For status, see Rear panel LEDs on page 95.
Power supply LEDs	Off = Normal Solid amber = Power subsystem degraded, power supply failure, or input power lost.
PCI riser LED	Off = Normal Amber = Incorrectly installed PCI riser cage
Over temp LED	Off = Normal Amber = High system temperature detected
Amp Status LED	Off = AMP modes disabled Solid green = AMP mode enabled Solid amber = Failover Flashing amber = Invalid configuration
Power cap LED	Off = System is in standby, or no cap is set. Solid green = Power cap applied

When the health LED on the front panel illuminates either amber or red, the server is experiencing a health event. For more information on the combination of these LEDs, see **Systems Insight Display combined LED descriptions** on page 92).

Systems Insight Display combined LED descriptions

The combined illumination of the following LEDs indicates a system condition:

- Systems Insight Display LEDs
- System power LED
- Health LED

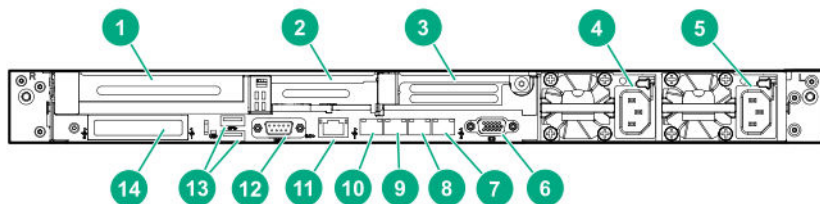
Systems Insight Display LED and color	Health LED	System power LED	Status
Processor (amber)	Red	Amber	<p>One or more of the following conditions may exist:</p> <ul style="list-style-type: none"> • Processor in socket X has failed. • Processor X is not installed in the socket. • Processor X is unsupported. • ROM detects a failed processor during POST.
Processor (amber)	Amber	Green	Processor in socket X is in a pre-failure condition.
DIMM (amber)	Red	Green	One or more DIMMs have failed.
DIMM (amber)	Amber	Green	DIMM in slot X is in a pre-failure condition.
Over temp (amber)	Amber	Green	The Health Driver has detected a cautionary temperature level.
Over temp (amber)	Red	Amber	The server has detected a hardware critical temperature level.
PCI riser (amber)	Red	Green	The PCI riser cage is not seated properly.
Fan (amber)	Amber	Green	One fan has failed or has been removed.
Fan (amber)	Red	Green	Two or more fans have failed or been removed.
Power supply (amber)	Red	Amber	<p>One or more of the following conditions may exist:</p> <ul style="list-style-type: none"> • Only one power supply is installed and that power supply is in standby. • Power supply fault • System board fault

Table Continued

Systems Insight Display LED and color	Health LED	System power LED	Status
Power supply (amber)	Amber	Green	One or more of the following conditions may exist: <ul style="list-style-type: none"> Redundant power supply is installed and only one power supply is functional. AC power cord is not plugged into redundant power supply. Redundant power supply fault Power supply mismatch at POST or power supply mismatch through hot-plug addition
Power cap (off)	—	Amber	Standby
Power cap (green)	—	Flashing green	Waiting for power
Power cap (green)	—	Green	Power is available.
Power cap (flashing amber)	—	Amber	Power is not available.

IMPORTANT: If more than one DIMM slot LED is illuminated, further troubleshooting is required. Test each bank of DIMMs by removing all other DIMMs. Isolate the failed DIMM by replacing each DIMM in a bank with a known working DIMM.

Rear panel components

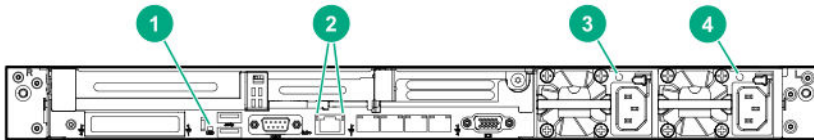


Item	Description
1	Slot 1 PCIe3
2	Slot 2 PCIe3
3	Slot 3 PCIe3 (optional - requires second processor)
4	Power supply 2 (PS2)
5	Power supply 1 (PS1)

Table Continued

Item	Description
6	Video port
7	NIC port 4
8	NIC port 3
9	NIC port 2
10	NIC port 1
11	iLO Management Port
12	Serial port (optional)
13	USB 3.0 ports
14	FlexibleLOM (optional)

Rear panel LEDs

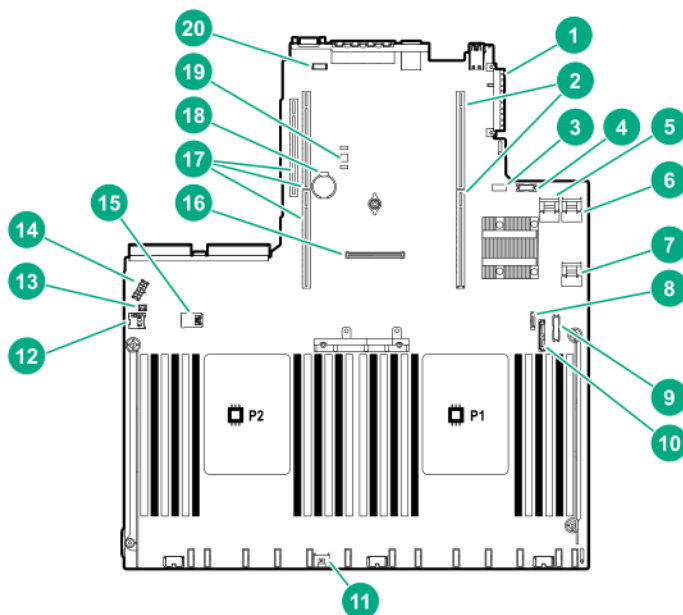


Item	Description	Status
1	UID LED	<p>Solid blue = Identification is activated.</p> <p>Flashing blue = System is being managed remotely.</p> <p>Off = Identification is deactivated.</p>
2R	iLO 5/standard NIC activity LED	<p>Solid green = Activity exists.</p> <p>Flashing green = Activity exists.</p> <p>Off = No activity exists.</p>
2L	iLO 5/standard NIC link LED	<p>Solid green = Link exists.</p> <p>Off = No link exists.</p>

Table Continued

Item	Description	Status
3	Power supply 2 LED	<p>Solid green = Normal</p> <p>Off = One or more of the following conditions exists:</p> <ul style="list-style-type: none"> • AC power unavailable • Power supply failed • Power supply in standby mode • Power supply exceeded current limit.
4	Power supply 1 LED	<p>Solid green = Normal</p> <p>Off = One or more of the following conditions exists:</p> <ul style="list-style-type: none"> • AC power unavailable • Power supply failed • Power supply in standby mode • Power supply exceeded current limit.

System board components



Item	Description
1	FlexibleLOM connector
2	Primary (processor 1) PCIe riser connector
3	System maintenance switch
4	Front display port/USB 2.0 connector
5	x4 SATA port 1
6	x4 SATA port 2
7	x2 SATA port 3
8	x1 SATA port 4
9	Front power/USB 3.0 connector
10	Optical/SATA port 5
11	Smart Storage Battery connector
12	Micro SD card slot
13	Chassis Intrusion Detection connector
14	Drive backplane power connector
15	Dual internal USB 3.0 connector
16	Type-a SmartArray connector
17	Secondary (processor 2) PCIe riser connector
18	System battery
19	TPM connector (optional)
20	Serial port connector (optional)

System maintenance switch descriptions

Position	Default	Function
S1 ¹	Off	Off = iLO security is enabled. On = iLO security is disabled.
S2	Off	Off = System configuration can be changed. On = System configuration is locked.
S3	Off	Reserved
S4	Off	Reserved
S5 ¹	Off	Off = Power-on password is enabled. On = Power-on password is disabled.
S6 ^{1, 2, 3}	Off	Off = No function On = Restore default manufacturing settings

Table Continued

Position	Default	Function
S7	Off	Off = Set default boot mode to UEFI. On = Set default boot mode to legacy.
S8	—	Reserved
S9	—	Reserved
S10	—	Reserved
S11	—	Reserved
S12	—	Reserved

¹ To access the redundant ROM, set S1, S5, and S6 to On.

² When the system maintenance switch position 6 is set to the On position, the system is prepared to restore all configuration settings to their manufacturing defaults.

³ When the system maintenance switch position 6 is set to the On position and Secure Boot is enabled, some configurations cannot be restored. For more information, see **Secure Boot** on page 83.

NMI functionality

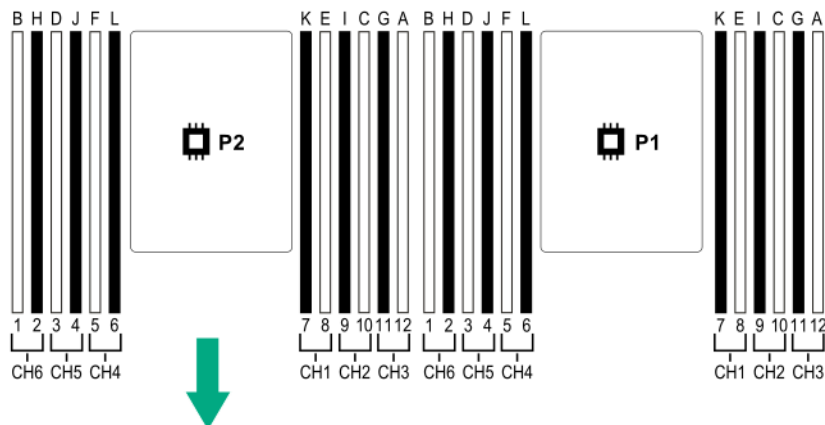
An NMI crash dump enables administrators to create crash dump files when a system is hung and not responding to traditional debugging methods.

An analysis of the crash dump log is an essential part of diagnosing reliability problems, such as hanging operating systems, device drivers, and applications. Many crashes freeze a system, and the only available action for administrators is to cycle the system power. Resetting the system erases any information that could support problem analysis, but the NMI feature preserves that information by performing a memory dump before a hard reset.

To force the OS to invoke the NMI handler and generate a crash dump log, the administrator can use the iLO Virtual NMI feature.

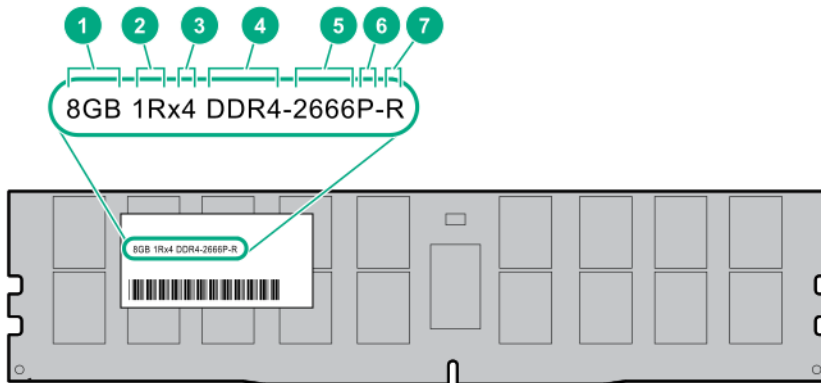
DIMM slot locations

DIMM slots are numbered sequentially (1 through 12) for each processor. The supported AMP modes use the letter assignments for population guidelines.



DIMM label identification

To determine DIMM characteristics, see the label attached to the DIMM. The information in this section helps you to use the label to locate specific information about the DIMM.



Item	Description	Definition
1	Capacity	8 GB 16 GB 32 GB 64 GB 128 GB
2	Rank	1R = Single rank 2R = Dual rank 4R = Quad rank 8R = Octal rank
3	Data width on DRAM	x4 = 4-bit x8 = 8-bit x16 = 16-bit
4	Memory generation	PC4 = DDR4
5	Maximum memory speed	2133 MT/s 2400 MT/s 2666 MT/s

Table Continued

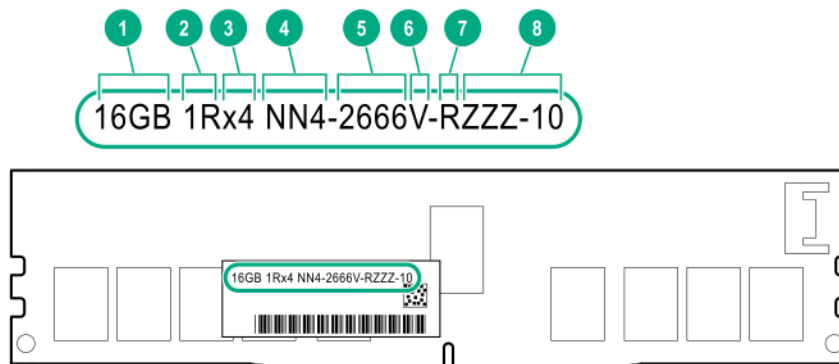
Item	Description	Definition
6	CAS latency	P = CAS 15-15-15 T = CAS 17-17-17 U = CAS 20-18-18 V = CAS 19-19-19 (for RDIMM, LRDIMM) V = CAS 22-19-19 (for 3DS TSV LRDIMM)
7	DIMM type	R = RDIMM (registered) L = LRDIMM (load reduced) E = Unbuffered ECC (UDIMM)

For more information about product features, specifications, options, configurations, and compatibility, see the product QuickSpecs on the Hewlett Packard Enterprise website (<http://www.hpe.com/info/qs>).

NVDIMM identification

The NVDIMM boards are blue instead of green. This change to the color makes it easier to distinguish the NVDIMMs from the DIMMs when installed.

To determine NVDIMM characteristics, see the full product description as shown in the following example:

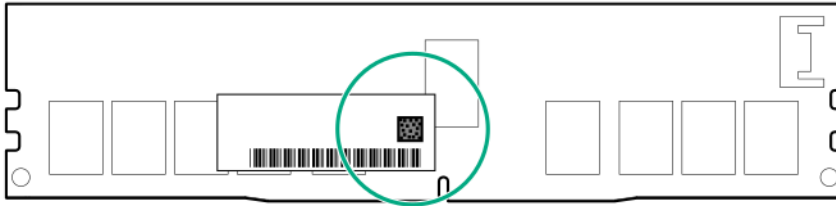


Item	Description	Definition
1	Capacity	16 GiB
2	Rank	1R (Single rank)
3	Data width per DRAM chip	x4 (4 bit)
4	Memory type	NN4=DDR4 NVDIMM-N
5	Maximum memory speed	2667 MT/s
6	Speed grade	V (latency 19-19-19)
7	DIMM type	RDIMM (registered)
8	Other	—

For more information about NVDIMMs, see the product QuickSpecs on the Hewlett Packard Enterprise website (<http://www.hpe.com/info/qs>).

NVDIMM 2D Data Matrix barcode

The 2D Data Matrix barcode is on the right side of the NVDIMM label and can be scanned by a cell phone or other device.

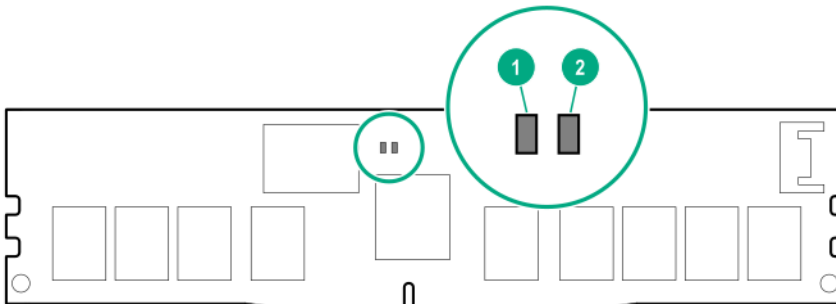


When scanned, the following information from the label can be copied to your cell phone or device:

- (P) is the module part number.
- (L) is the technical details shown on the label.
- (S) is the module serial number.

Example: (P)HMN82GR7AFR4N-VK (L)16GB 1Rx4 NN4-2666V-RZZZ-10(S)80AD-01-1742-11AED5C2

NVDIMM LED identification



Item	LED description	LED color
1	Power LED	Green
2	Function LED	Blue

NVDIMM-N LED combinations

State	Definition	NVDIMM-N Power LED (green)	NVDIMM-N Function LED (blue)
0	AC power is on (12 V rail) but the NVM controller is not working.	On	Off
1	AC power is on (12 V rail) and the NVM controller is read.	On	Off
2	AC power is off or the battery is off (12 V rail off).	On	Off

NVDIMM Function LED patterns

For the purpose of this table, the NVDIMM-N LED operates as follows:

- Solid indicates that the LED remains in the on state.
- Flashing indicates that the LED is on for 2 seconds and off for 1 second.
- Fast-flashing indicates that the LED is on for 300 ms and off for 300 ms.

State	Definition	NVDIMM-N Function LED
0	The restore operation is in progress.	Flashing
1	The restore operation is successful.	Solid or On
2	Erase is in progress.	Flashing
3	The erase operation is successful.	Solid or On
4	The NVDIMM-N is armed, and the NVDIMM-N is in normal operation.	Solid or On
5	The save operation is in progress.	Flashing
6	The NVDIMM-N finished saving and battery is still turned on (12 V still powered).	Solid or On
7	The NVDIMM-N has an internal error or a firmware update is in progress. For more information about an NVDIMM-N internal error, see the IML.	Fast-flashing

Device numbers

8SFF device bay numbering

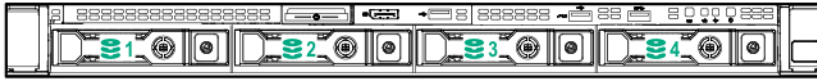


8SFF + 2 SFF device bay numbering



Item	Description
1	Box 1, bays 1-8
2	Box 2, bays 1 and 2

4LFF device bay numbering



10SFF NVMe/SAS backplane option device bay numbering

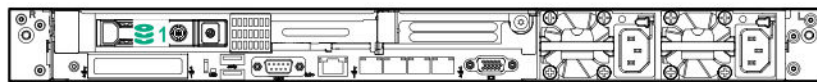
When the 10SFF NVMe/SAS backplane option is installed, NVMe drives must be installed in bays 9 and 10. The other bays support a mix of NVMe and SAS drives.



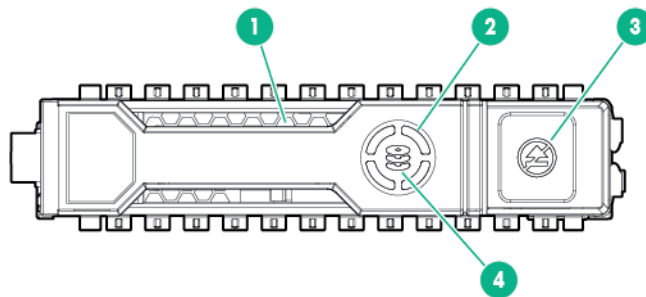
Optional rear device bay numbering

The optional rear device bay supports either 1 SFF drive in a SmartDrive carrier, or 2 uFF M.2 drives in an HPE Smart Carrier M.2 (SCM).

When the HPE SFF Flash Adapter is installed, the uFF drives are recognized as 1 and 101.



Hot-plug drive LED definitions

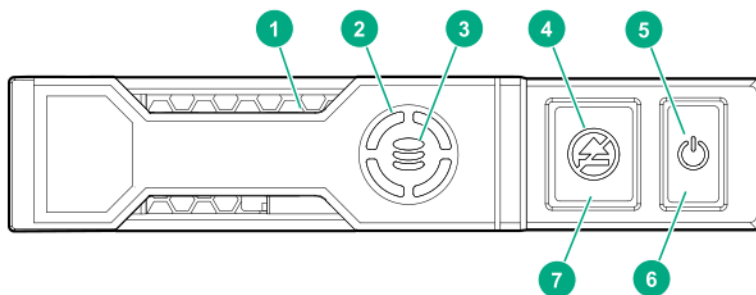


Item	LED	Status	Definition
1	Locate	Solid blue	The drive is being identified by a host application.
		Flashing blue	The drive carrier firmware is being updated or requires an update.
2	Activity ring	Rotating green	Drive activity.
		Off	No drive activity.
3	Do not remove	Solid white	Do not remove the drive. Removing the drive causes one or more of the logical drives to fail.
		Off	Removing the drive does not cause a logical drive to fail.
4	Drive status	Solid green	The drive is a member of one or more logical drives.
		Flashing green	The drive is rebuilding or performing a RAID migration, strip size migration, capacity expansion, or logical drive extension, or is erasing.
		Flashing amber/green	The drive is a member of one or more logical drives and predicts the drive will fail.
		Flashing amber	The drive is not configured and predicts the drive will fail.
		Solid amber	The drive has failed.
		Off	The drive is not configured by a RAID controller.

NVMe SSD components

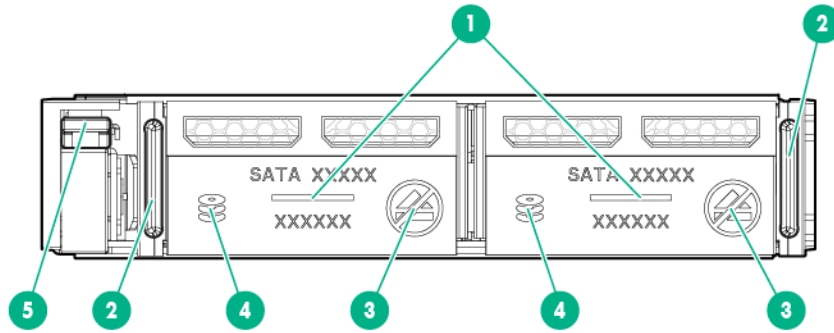
The NVMe SSD is a PCIe bus device. A device attached to a PCIe bus cannot be removed without allowing the device and bus to complete and cease the signal/traffic flow.

⚠ CAUTION:
Do not remove an NVMe SSD from the drive bay while the Do not remove LED is flashing. The Do not remove LED flashes to indicate that the device is still in use. Removing the NVMe SSD before the device has completed and ceased signal/traffic flow can cause loss of data.



Item	Description	Status
1	Locate LED	<p>Solid blue = The drive is being identified by a host application.</p> <p>Flashing blue = The drive carrier firmware is being updated or requires an update.</p>
2	Activity ring LED	<p>Rotating green = Drive activity</p> <p>Off = No drive activity</p>
3	Drive status LED	<p>Solid green = The drive is a member of one or more logical drives.</p> <p>Flashing green = The drive is rebuilding or performing a RAID migration, stripe size migration, capacity expansion, or logical drive extension, or is erasing.</p> <p>Flashing amber/green = The drive is a member of one or more logical drives and predicts the drive will fail.</p> <p>Flashing amber = The drive is not configured and predicts the drive will fail.</p> <p>Solid amber = The drive has failed.</p> <p>Off = The drive is not configured by a RAID controller.</p>
4	Do Not Remove LED	<p>Solid white = Do not remove the drive. Drive must be ejected from the PCIe bus prior to removal.</p> <p>Flashing white = Ejection request pending</p> <p>Off = Drive has been ejected</p>
5	Power LED	<p>Solid green = Do not remove the drive. Drive must be ejected from the PCIe bus prior to removal.</p> <p>Flashing green = Ejection request pending</p> <p>Off = Drive has been ejected</p>
6	Power button	<p>Press to request PCIe ejection. Removal request can be denied by the:</p> <ul style="list-style-type: none"> • RAID controller (one or more of the logical drives could fail) • Operating system
7	Do not remove button	Press to open the release lever.

uFF drive components and LEDs



Item	Description	Status
1	Locate	<ul style="list-style-type: none"> Off—Normal Solid blue—The drive is being identified by a host application Flashing blue—The drive firmware is being updated or requires an update
2	uFF drive ejection latch	Removes the uFF drive when released
3	Do not remove LED	<ul style="list-style-type: none"> Off—OK to remove the drive. Removing the drive does not cause a logical drive to fail. Solid white—Do not remove the drive. Removing the drive causes one or more of the logical drives to fail.

Table Continued

Item	Description	Status
4	Drive status LED	<ul style="list-style-type: none"> • Off—The drive is not configured by a RAID controller • Solid green—The drive is a member of one or more logical drives • Flashing green (4 Hz)—The drive is operating normally and has activity • Flashing green (1 Hz)—The drive is rebuilding or performing a RAID migration, stripe size migration, capacity expansion, logical drive extension, or is erasing • Flashing amber/green (1 Hz)—The drive is a member of one or more logical drives that predicts the drive will fail • Solid amber—The drive has failed • Flashing amber (1 Hz)—The drive is not configured and predicts the drive will fail
5	Adapter ejection release latch and handle	Removes the SFF flash adapter when released

Hot-plug fans

⚠ CAUTION:
To avoid damage to server components, fan blanks must be installed in fan bays 1 and 2 in a single-processor configuration.

⚠ CAUTION:
To avoid damage to the equipment, do not operate the server for extended periods of time if the server does not have the optimal number of fans installed. Although the server might boot, Hewlett Packard Enterprise does not recommend operating the server without the required fans installed and operating.

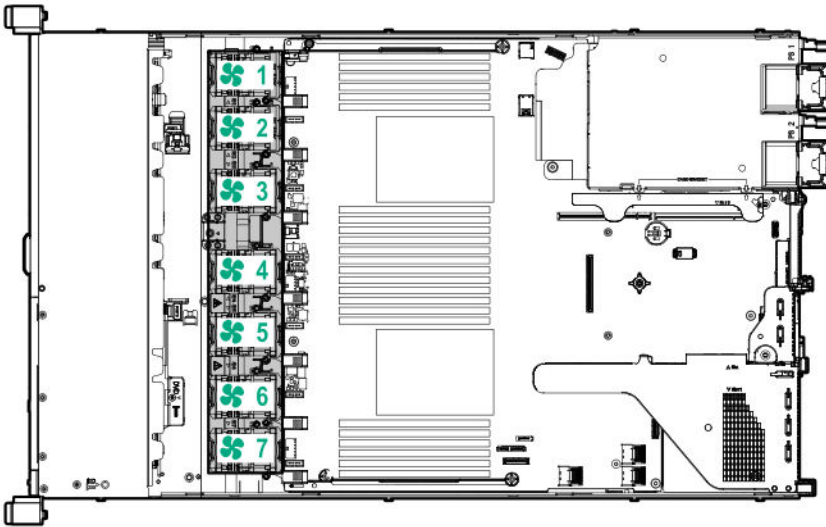
The valid fan configurations are listed in the following tables.

One-processor configuration

Fan bay 1	Fan bay 2	Fan bay 3	Fan bay 4	Fan bay 5	Fan bay 6	Fan bay 7
Fan blank	Fan blank	Fan	Fan	Fan	Fan	Fan

Two-processor configuration

Fan bay 1	Fan bay 2	Fan bay 3	Fan bay 4	Fan bay 5	Fan bay 6	Fan bay 7
Fan	Fan	Fan	Fan	Fan	Fan	Fan



The loss of a single fan rotor (one standard fan) causes loss of redundancy. The loss of two fan rotors (2 standard fans or 1 high-performance fan) causes the server to initiate a shut down.

The high-performance fans are used for 8-SFF +2SFF NVMe and 10 SFF drive configurations when NVMe drives are installed in the server. They are also required for ASHRAE compliant configurations. For more information on ASHRAE compliant configurations, see the [Hewlett Packard Enterprise website](#).

The server supports variable fan speeds. The fans operate at minimum speed until a temperature change requires a fan speed increase to cool the server. The server shuts down during the following temperature-related scenarios:

- At POST and in the OS, iLO performs an orderly shutdown if a cautionary temperature level is detected. If the server hardware detects a critical temperature level before an orderly shutdown occurs, the server performs an immediate shutdown.
- When the Thermal Shutdown feature is disabled in the BIOS/Platform Configuration (RBSU), iLO does not perform an orderly shutdown when a cautionary temperature level is detected. Disabling this feature does not disable the server hardware from performing an immediate shutdown when a critical temperature level is detected.



CAUTION:

A thermal event can damage server components when the Thermal Shutdown feature is disabled in the BIOS/Platform Configuration (RBSU).

Cabling

Cabling overview

This section provides guidelines that help you make informed decisions about cabling the server and hardware options to optimize performance.

⚠ CAUTION:
When routing cables, always be sure that the cables are not in a position where they can be pinched or crimped.

SFF cables

Option kit	Cable part number	Connects from	Connects to
SFF Internal Cables Kit	874618-001	2SFF SAS/SATA Backplane	Embedded SATA
	869662-001	8 SFF SAS/SATA Backplane	Embedded SATA Type -a Smart Array Controller
	876867-001	2 SFF SAS/SATA Backplane	Type -p Smart Array Controller (Slot #1)
	874615-001	8 SFF SAS/SATA Backplane	Type -p Smart Array Controller (Slot #2)
2 SFF Backplane Option Kit	876867-001	2 SFF SAS/SATA Backplane	Embedded SATA Type -p Smart Array Controller
	869669-001	2 SFF SAS/SATA Backplane	P816i-a Smart Array Controller
2 SFF SCM Backplane Option Kit	869668-001	2 SFF SCM Backplane	Embedded SATA
	869669-001	2 SFF SCM Backplane	P816i-a Smart Array Controller
		2 SFF SCM Backplane	Slot #1
1 SFF Rear Backplane Option Kit	869685-001	1 SFF Rear Backplane	Embedded SATA Type -p Smart Array Controller
	876868-001	1 SFF Rear Backplane	P816i-a Smart Array Controller
10 SFF SAS/SATA/NVMe Combo backplane	869675-001	10 SFF backplane, SAS port	P408i-a controller
	869676-001	10 SFF backplane, ports 1, 2, and 3	NVMe riser, ports 1, 2, and 3

Table Continued

Option kit	Cable part number	Connects from	Connects to
	869681-001	10 SFF backplane, port 5	NVMe riser, port 5
	869680-001	10 SFF backplane, port 4	NVMe riser, port 4

SFF configuration cable routing

NOTE:

The following information describes the standard cable routing for this component. For more information on optional cable routing, see the HPE ProLiant DL380 Gen10 Servercabling matrix on the Hewlett Packard Enterprise website (<http://www.hpe.com/info/CablingMatrixGen10>).

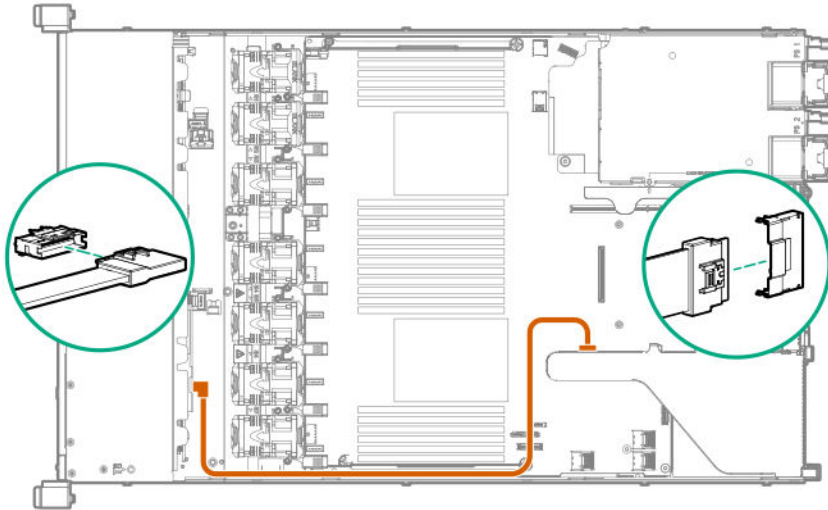
8 SFF backplane to P408i-a controller



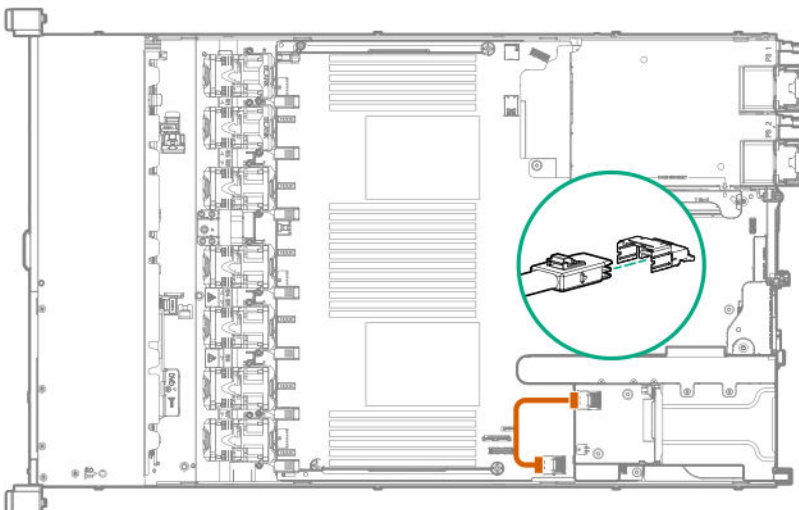
2 SFF backplane to P816i-a controller



2 SFF NVMe backplane to primary riser



1 SFF rear backplane to system board SATA



Additional SFF cabling

For more information on the following cables and cabling configurations, see the HPE DL360 Gen10 Server cabling matrix on the Hewlett Packard Enterprise website (<http://www.hpe.com/info/CablingMatrixGen10>):

- 8 SFF backplane to P408i-p controller
- 8 SFF backplane to system board SATA
- 8 SFF backplane power cable
- 2 SFF backplane to P408i-p controller
- 2 SFF backplane to system board SATA
- 2 SFF to 8 SFF power cable

- 1 SFF rear backplane to P816i-a controller
- SFF system power/USB cable

LFF cables

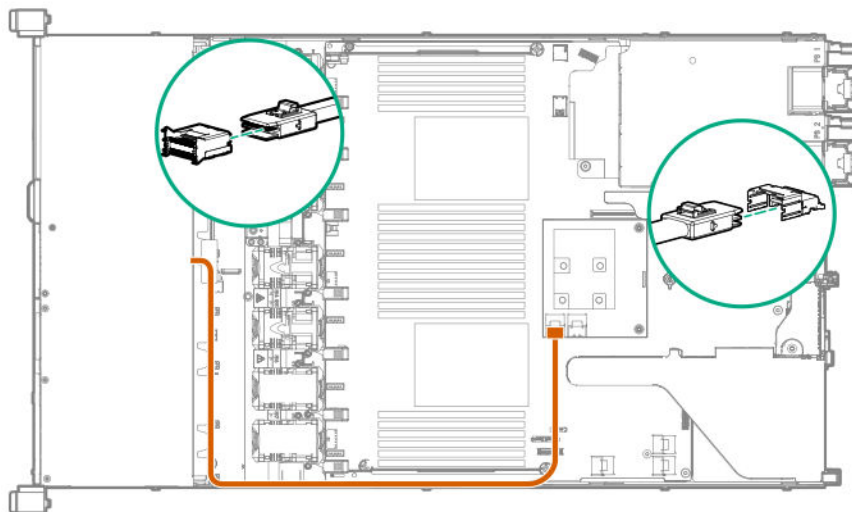
Option kit	Cable part number	Connects from	Connects to
HPE DL360 Gen10 LFF Internal Cable Kit	869673-001	4 LFF backplane	Type -p Smart Array controller, slot 1 Type -a Smart Array controller Embedded SATA
	874616-001	4 LFF backplane	PCI controller, slot 2
HPE DL360 Gen9 LFF Optical Cable Kit	756914-001	LFF optical drive	System board SATA, port 5

LFF configuration cable routing

NOTE:

The following information describes the standard cable routing for this component. For more information on optional cable routing, see the HPE ProLiant DL380 Gen10 Servercabling matrix on the Hewlett Packard Enterprise website (<http://www.hpe.com/info/CablingMatrixGen10>).

4 LFF backplane to P408i-a controller



Additional LFF cabling

For more information on the following cables and cabling configurations, see the HPE DL360 Gen10 Server cabling matrix on the Hewlett Packard Enterprise website (<http://www.hpe.com/info/CablingMatrixGen10>):

- 4 LFF backplane to P408i-p controller
- 4 LFF backplane to system board SATA

Specifications

Environmental specifications

Specification	Value
Temperature range¹	—
Operating	10°C to 35°C (50°F to 95°F)
Nonoperating	-30°C to 60°C (-22°F to 140°F)
Relative humidity (noncondensing)	—
Operating	Minimum to be the higher (more moisture) of -12°C (10.4°F) dew point or 8% relative humidity Maximum to be 24°C (75.2°F) dew point or 90% relative humidity
Nonoperating	5% to 95% 38.7°C (101.7°F), maximum wet bulb temperature

¹ All temperature ratings shown are for sea level. An altitude derating of 1.0°C per 304.8 m (1.8°F per 1000 ft) to 3048 m (10,000 ft) is applicable. No direct sunlight allowed. Maximum rate of change is 20°C per hour (36°F per hour). The upper limit and rate of change might be limited by the type and number of options installed.

For certain approved hardware configurations, the supported system inlet temperature range is extended:

- 5°C to 10°C (41°F to 50°F) and 35°C to 40°C (95°F to 104°F) at sea level with an altitude derating of 1.0°C per every 175 m (1.8°F per every 574 ft) above 900 m (2953 ft) to a maximum of 3048 m (10,000 ft).
- 40°C to 45°C (104°F to 113°F) at sea level with an altitude derating of 1.0°C per every 125 m (1.8°F per every 410 ft) above 900 m (2953 ft) to a maximum of 3048 m (10,000 ft).

The approved hardware configurations for this system are listed on the [Hewlett Packard Enterprise website](#).

Server specifications

Specification	Value
Height	4.29 cm (1.69 in)
Depth (chassis with SFF drive cage)	70.7 cm (27.83 in)
Depth (chassis with LFF drive cage)	74.98 cm (29.50 in)
Width	43.46 cm (17.11 in)
Weights	

Table Continued

Specification	Value
SFF minimum (one drive, one processor, one power supply, two heatsinks, one Smart Array controller, five fans)	13.04 kg (28.74 lb)
SFF maximum (10 drives, two processors, two power supplies, two heatsinks, one Smart Array controller, seven fans)	16.27 kg (35.86 lb)
LFF minimum (one drive, one processor, one power supply, two heatsinks, one Smart Array controller, five fans)	13.77 kg (30.36 lb)
LFF maximum (Four drives, two processors, two power supplies, two heatsinks, one Smart Array controller, seven fans)	16.78 kg (37 lb)

Power supply specifications

Depending on the installed options and the regional location where the server was purchased, the server can be configured with one of the following power supplies:

- **HPE 500W Flex Slot Platinum Hot Plug Low Halogen Power Supply** on page 115
- **HPE 800W Flex Slot Platinum Hot Plug Low Halogen Power Supply** on page 116
- **HPE 800W Flex Slot Titanium Hot Plug Low Halogen Power Supply** on page 117
- **HPE 800W Flex Slot Universal Hot Plug Low Halogen Power Supply** on page 118
- **HPE 800W Flex Slot -48VDC Hot Plug Low Halogen Power Supply** on page 118
- **HPE 1600W Flex Slot Platinum Hot Plug Low Halogen Power Supply** on page 120

For detailed power supply specifications, see the QuickSpecs on the Hewlett Packard Enterprise website (<http://www.hpe.com/info/proliant/powersupply>).

HPE 500W Flex Slot Platinum Hot Plug Low Halogen Power Supply

Specification	Value
Input requirements	
Rated input voltage	100 VAC to 127 VAC
	100 VAC to 240 VAC
	240 VDC for China only

Table Continued

Specification	Value
Rated input frequency	50 Hz to 60 Hz Not applicable to 240 VDC
Rated input current	5.8 A at 100 VAC 2.8 A at 200 VAC 2.4 A at 240 VDC for China only
Maximum rated input power	557 W at 100 VAC 539 W at 200 VAC 537 W at 240 VDC for China only
BTUs per hour	1,902 at 100 VAC 1,840 at 200 VAC 1,832 at 240 VDC for China only
Power supply output	
Rated steady-state power	500 W at 100 VAC to 127 VAC input 500 W at 100 VAC to 240 VAC input 500 W at 240 VDC input for China only
Maximum peak power	500 W at 100 VAC to 127 VAC input 500 W at 100 VAC to 240 VAC input 500 W at 240 VDC input for China only

HPE 800W Flex Slot Platinum Hot Plug Low Halogen Power Supply

Specification	Value
Input requirements	
Rated input voltage	100 VAC to 127 VAC 100 VAC to 240 VAC 240 VDC for China only
Rated input frequency	50 Hz to 60 Hz Not applicable to 240 VDC
Rated input current	9.4 A at 100 VAC 4.5 A at 200 VAC 3.8 A at 240 VDC for China only

Table Continued

Specification	Value
Maximum rated input power	899 W at 100 VAC 867 W at 200 VAC 864 W at 240 VDC for China only
BTUs per hour	3,067 at 100 VAC 2,958 at 200 VAC 2,949 at 240 VAC for China only
Power supply output	
Rated steady-state power	800 W at 100 VAC to 127 VAC input 800 W at 100 VAC to 240 VAC input 800 W at 240 VDC input for China only
Maximum peak power	800 W at 100 VAC to 127 VAC input 800 W at 100 VAC to 240 VAC input 800 W at 240 VDC input for China only

HPE 800W Flex Slot Titanium Hot Plug Low Halogen Power Supply

Specification	Value
Input requirements	
Rated input voltage	200 VAC to 240 VAC 240 VDC for China only
Rated input frequency	50 Hz to 60 Hz Not applicable to 240 VDC
Rated input current	4.35 A at 200 VAC 3.62 A at 240 VAC 3.62 A at 240 VDC for China only
Maximum rated input power	851 W at 200 VAC 848 W at 240 VAC 848 W at 240 VDC for China only
BTUs per hour	2,905 at 200 VAC 2,969 at 240 VAC 2,969 at 240 VDC for China only
Power supply output	

Table Continued

Specification	Value
Rated steady-state power	800 W at 200 VAC to 240 VAC input 800 W at 240 VDC input for China only
Maximum peak power	800 W at 200 VAC to 240 VAC input 800 W at 240 VDC input for China only

HPE 800W Flex Slot Universal Hot Plug Low Halogen Power Supply

Specification	Value
Input requirements	
Rated input voltage	200 VAC to 277 VAC
Rated input frequency	50 Hz to 60 Hz
Rated input current	4.4 A at 200 VAC 3.8 A at 230 VAC 3.1 A at 277 VAC
Maximum rated input power	869 W at 200 VAC 865 W at 230 VAC 861 W at 277 VAC
BTUs per hour	2,964 at 200 VAC 2,951 at 230 VAC 2,936 at 277 VAC
Power supply output	
Rated steady-state power	800 W at 200 VAC to 277 VAC input
Maximum peak power	800 W at 200 VAC to 277 VAC input

HPE 800W Flex Slot -48VDC Hot Plug Low Halogen Power Supply

Specification	Value
Input requirements	
Rated input voltage	-40 VDC to -72 VDC -48 VDC nominal input
Rated input current	24 A at -40 VDC input 19 A at -48 VDC input, nominal input 12.4 A at -72 VDC input

Table Continued

Specification	Value
Rated input power (W)	874 W at -40 VDC input
	865 W at -48 VDC input, nominal input
	854 W at -72 VDC input
Rated input power (BTUs per hour)	2,983 at -40 VDC input
	2,951 at -48 VDC input, nominal input
	2,912 at -72 VDC input
Power supply output	
Rated steady-state power (W)	800 W at -40 VDC to -72 VDC
Maximum peak power (W)	800 W at -40 VDC to -72 VDC
Maximum peak power	800 W at 200 VAC to 277 VAC input
	800 W at 380 VDC input



WARNING:

To reduce the risk of electric shock or energy hazards:

- This equipment must be installed by trained service personnel, as defined by the NEC and IEC 60950-1, Second Edition, the standard for Safety of Information Technology Equipment.
- Connect the equipment to a reliably grounded secondary circuit source. A secondary circuit has no direct connection to a primary circuit and derives its power from a transformer, converter, or equivalent isolation device.
- The branch circuit overcurrent protection must be rated 27 A.



CAUTION:

This equipment is designed to permit the connection of the earthed conductor of the DC supply circuit to the earthing conductor at the equipment.

If this connection is made, all of the following must be met:

- This equipment must be connected directly to the DC supply system earthing electrode conductor or to a bonding jumper from an earthing terminal bar or bus to which the DC supply system earthing electrode conductor is connected.
- This equipment must be located in the same immediate area (such as adjacent cabinets) as any other equipment that has a connection between the earthed conductor of the same DC supply circuit and the earthing conductor, and also the point of earthing of the DC system. The DC system must be earthed elsewhere.
- The DC supply source is to be located within the same premises as the equipment.
- Switching or disconnecting devices must not be in the earthed circuit conductor between the DC source and the point of connection of the earthing electrode conductor.

HPE 1600W Flex Slot Platinum Hot Plug Low Halogen Power Supply

Specification	Value
Input requirements	
Rated input voltage	200 VAC to 240 VAC 240 VDC for China only
Rated input frequency	50 Hz to 60 Hz
Rated input current	8.7 A at 200 VAC 7.2 A at 240 VAC
Maximum rated input power	1,734 W at 200 VAC 1,725 W at 240 VAC
BTUs per hour	5,918 at 200 VAC 5,884 at 240 VAC
Power supply output	
Rated steady-state power	1,600 W at 200 VAC to 240 VAC input 1,600 W at 240 VDC input
Maximum peak power	2,200 W for 1 ms (turbo mode) at 200 VAC to 240 VAC input

Hot-plug power supply calculations

For hot-plug power supply specifications and calculators to determine electrical and heat loading for the server, see the Hewlett Packard Enterprise Power Advisor website (<http://www.hpe.com/info/poweradvisor/online>).

Documentation feedback

Hewlett Packard Enterprise is committed to providing documentation that meets your needs. To help us improve the documentation, send any errors, suggestions, or comments to [Documentation Feedback](#). When submitting your feedback, include the document title, part number, edition, and publication date located on the front cover of the document. For online help content, include the product name, product version, help edition, and publication date located on the legal notices page.

Websites

General websites

Hewlett Packard Enterprise Information Library

www.hpe.com/info/EIL

Single Point of Connectivity Knowledge (SPOCK) Storage compatibility matrix

www.hpe.com/storage/spock

Storage white papers and analyst reports

www.hpe.com/storage/whitepapers

For additional websites, see [Support and other resources](#).

Support and other resources

Accessing Hewlett Packard Enterprise Support

- For live assistance, go to the Contact Hewlett Packard Enterprise Worldwide website:
<http://www.hpe.com/assistance>
- To access documentation and support services, go to the Hewlett Packard Enterprise Support Center website:
<http://www.hpe.com/support/hpesc>

Information to collect

- Technical support registration number (if applicable)
- Product name, model or version, and serial number
- Operating system name and version
- Firmware version
- Error messages
- Product-specific reports and logs
- Add-on products or components
- Third-party products or components

Accessing updates

- Some software products provide a mechanism for accessing software updates through the product interface. Review your product documentation to identify the recommended software update method.
- To download product updates:

Hewlett Packard Enterprise Support Center

www.hpe.com/support/hpesc

Hewlett Packard Enterprise Support Center: Software downloads

www.hpe.com/support/downloads

Software Depot

www.hpe.com/support/softwaredepot

- To subscribe to eNewsletters and alerts:

www.hpe.com/support/e-updates

- To view and update your entitlements, and to link your contracts and warranties with your profile, go to the Hewlett Packard Enterprise Support Center **More Information on Access to Support Materials** page:

www.hpe.com/support/AccessToSupportMaterials

! **IMPORTANT:**

Access to some updates might require product entitlement when accessed through the Hewlett Packard Enterprise Support Center. You must have an HPE Passport set up with relevant entitlements.

Customer self repair

Hewlett Packard Enterprise customer self repair (CSR) programs allow you to repair your product. If a CSR part needs to be replaced, it will be shipped directly to you so that you can install it at your convenience. Some parts do not qualify for CSR. Your Hewlett Packard Enterprise authorized service provider will determine whether a repair can be accomplished by CSR.

For more information about CSR, contact your local service provider or go to the CSR website:

<http://www.hpe.com/support/selfrepair>

Remote support

Remote support is available with supported devices as part of your warranty or contractual support agreement. It provides intelligent event diagnosis, and automatic, secure submission of hardware event notifications to Hewlett Packard Enterprise, which will initiate a fast and accurate resolution based on your product's service level. Hewlett Packard Enterprise strongly recommends that you register your device for remote support.

If your product includes additional remote support details, use search to locate that information.

Remote support and Proactive Care information

HPE Get Connected

www.hpe.com/services/getconnected

HPE Proactive Care services

www.hpe.com/services/proactivecare

HPE Proactive Care service: Supported products list

www.hpe.com/services/proactivecaresupportedproducts

HPE Proactive Care advanced service: Supported products list

www.hpe.com/services/proactivecareadvancedsupportedproducts

Proactive Care customer information

Proactive Care central

www.hpe.com/services/proactivecarecentral

Proactive Care service activation

www.hpe.com/services/proactivecarecentralgetstarted

Warranty information

To view the warranty for your product or to view the *Safety and Compliance Information for Server, Storage, Power, Networking, and Rack Products* reference document, go to the Enterprise Safety and Compliance website:

www.hpe.com/support/Safety-Compliance-EnterpriseProducts

Additional warranty information

HPE ProLiant and x86 Servers and Options

www.hpe.com/support/ProLiantServers-Warranties

HPE Enterprise Servers

www.hpe.com/support/EnterpriseServers-Warranties

HPE Storage Products

www.hpe.com/support/Storage-Warranties

HPE Networking Products

www.hpe.com/support/Networking-Warranties

Regulatory information

To view the regulatory information for your product, view the *Safety and Compliance Information for Server, Storage, Power, Networking, and Rack Products*, available at the Hewlett Packard Enterprise Support Center:

www.hpe.com/support/Safety-Compliance-EnterpriseProducts

Additional regulatory information

Hewlett Packard Enterprise is committed to providing our customers with information about the chemical substances in our products as needed to comply with legal requirements such as REACH (Regulation EC No 1907/2006 of the European Parliament and the Council). A chemical information report for this product can be found at:

www.hpe.com/info/reach

For Hewlett Packard Enterprise product environmental and safety information and compliance data, including RoHS and REACH, see:

www.hpe.com/info/ecodata

For Hewlett Packard Enterprise environmental information, including company programs, product recycling, and energy efficiency, see:

www.hpe.com/info/environment

Documentation feedback

Hewlett Packard Enterprise is committed to providing documentation that meets your needs. To help us improve the documentation, send any errors, suggestions, or comments to Documentation Feedback (docsfeedback@hpe.com). When submitting your feedback, include the document title, part number, edition, and publication date located on the front cover of the document. For online help content, include the product name, product version, help edition, and publication date located on the legal notices page.