

lenovo

*Lenovo IdeaPad
Flex 2-14/Flex 2-14D
Flex 2-15/Flex 2-15D*

*Hardware
Maintenance
Manual*

Note:

Before using this information and the product it supports, be sure to read the general information under “Notices” on page 100.

First Edition (March 2014)

© Copyright Lenovo 2014. All rights reserved.

LENOVO products, data, computer software, and services have been developed exclusively at private expense and are sold to governmental entities as commercial items as defined by 48 C.F.R. 2.101 with limited and restricted rights to use, reproduction and disclosure.

LIMITED AND RESTRICTED RIGHTS NOTICE: If products, data, computer software, or services are delivered pursuant a General Services Administration “GSA” contract, use, reproduction, or disclosure is subject to restrictions set forth in Contract No. GS-35F-05925.

© 2014 Lenovo

Contents

About this manual	iv	FRU replacement notices	32
Safety information	1	Screw notices	32
General safety	2	Removing and replacing an FRU	33
Electrical safety	3	1010 Keyboard.....	34
Safety inspection guide	5	1020 Optical drive.....	36
Handling devices that are sensitive to electrostatic discharge.....	6	1030 Hard disk drive(HDD)/Memory/ Mini PCI Express Card slot compartment cover	37
Grounding requirements	6	1040 Battery pack	39
Safety notices: multilingual translations	7	1050 Hard disk drive	40
Laser compliance statement.....	14	1060 DIMM	42
Important service information	16	1070 PCI Express Mini Card for wireless LAN/WAN	43
Strategy for replacing FRUs.....	16	1080 System board	45
Strategy for replacing a hard disk drive	17	1090 LCD unit.....	49
Important notice for replacing a system board	17	1100 Speakers, base cover, IO board, DC-IN, power board and ODD transfer board	52
Important information about replacing RoHS compliant FRUs	18	1110 LCD front bezel.....	60
1120 LCD panel, LCD cable and hinges	62	1130 Integrated camera	64
1140 Antenna assembly and LCD cover.....	65	1140 Antenna assembly and LCD cover.....	65
General checkout	19	Locations	66
What to do first	20	Front view	66
Power system checkout	21	Bottom and Left-side view	68
Checking the AC adapter.....	21	Right-side view	69
Checking operational charging	22	Parts list	70
Checking the battery pack	22	Overall.....	71
Related service information	23	LCD FRUs.....	81
Restoring the factory contents by using Recovery Disc Set	23	Keyboard.....	84
Start Recovery Disc (one disc).....	23	AC adapters.....	96
Operating System Recovery Disc (one or more discs)	23	Screws.....	96
Applications and Drivers Recovery Disc (one or more discs).....	23	Power cords	97
Supplemental Recovery Disc	23	Notices	100
Passwords.....	24	Trademarks	101
Power-on password	24		
Hard-disk password	24		
Supervisor password	24		
Power management	25		
Screen blank state	25		
Putting the computer to sleep or shutting it down	25		
Lenovo Flex 2-14/Flex 2-14D/Flex 2-15/ Flex 2-15D	27		
Specifications	27		
Status indicators	29		
Hotkeys.....	31		

About this manual

This manual contains service and reference information for the following Lenovo product:

Lenovo Flex 2-14/Flex 2-14D/Flex 2-15/Flex 2-15D

Use this manual to troubleshoot problems.

The manual is divided into the following sections:

- The common sections provide general information, guidelines, and safety information required for servicing computers.
- The product-specific section includes service, reference, and product-specific parts information.

Important:

This manual is intended only for trained servicers who are familiar with Lenovo products. Use this manual to troubleshoot problems effectively. Before servicing a Lenovo product, make sure to read all the information under “Safety information” on page 1 and “Important service information” on page 16.

Safety information

This chapter presents the following safety information that you need to get familiar with before you service a Lenovo computer:

- “General safety” on page 2
- “Electrical safety” on page 3
- “Safety inspection guide” on page 5
- “Handling devices that are sensitive to electrostatic discharge” on page 6
- “Grounding requirements” on page 6
- “Safety notices: multilingual translations” on page 7
- “Laser compliance statement” on page 14

General safety

Follow these rules below to ensure general safety:

- Observe a good housekeeping in the area where the machines are put during and after the maintenance.
- When lifting any heavy object:
 1. Make sure that you can stand safely without slipping.
 2. Distribute the weight of the object equally between your feet.
 3. Use a slow lifting force. Never move suddenly or twist when you attempt to lift it.
 4. Lift it by standing or pushing up with your leg muscles; this action could avoid the strain from the muscles in your back. Do not attempt to lift any object that weighs more than 16 kg (35 lb) or that you think is too heavy for you.
- Do not perform any action that causes hazards to the customer, or that makes the machine unsafe.
- Before you start the machine, make sure that other service representatives and the customer are not in a hazardous position.
- Please remove covers and other parts in a safe place, away from all personnel, while you are servicing the machine.
- Keep your toolcase away from walk areas so that other people will not trip it over.
- Do not wear loose clothing that can be trapped in the moving parts of the machine. Make sure that your sleeves are fastened or rolled up above your elbows. If your hair is long, fasten it.
- Insert the ends of your necktie or scarf inside clothing or fasten it with the nonconductive clip, about 8 centimeters (3 inches) from the end.
- Do not wear jewelry, chains, metal-frame eyeglasses, or metal fasteners for your clothing.

Attention: Metal objects are good electrical conductors.
- Wear safety glasses when you are hammering, drilling, soldering, cutting wire, attaching springs, using solvents, or working in any other conditions that may be hazardous to your eyes.
- After service, reinstall all safety shields, guards, labels, and ground wires. Replace any safety device that is worn or defective.
- Reinstall all covers correctly before returning the machine to the customer.
- Fan louvers on the machine help to prevent the overheating of internal components. Do not obstruct fan louvers or cover them with labels or stickers.

Electrical safety

Observe the following rules when working on electrical equipments.

Important:

Use only approved tools and test equipments. Some hand tools have handles covered with a soft material that does not insulate you when working with live electrical currents.

Many customers have rubber floor mats near their machines that contain small conductive fibers to decrease electrostatic discharges. Do not use such kind of mat to protect yourself from electrical shock.

- Find the room emergency power-off (EPO) switch, disconnecting switch, or electrical outlet. If an electrical accident occurs, you can then operate the switch or unplug the power cord quickly.
- Do not work alone under hazardous conditions or near the equipment that has hazardous voltages.
- Disconnect all power before:
 - Performing a mechanical inspection
 - Working near power supplies
 - Removing or installing main units
- Before you start to work on the machine, unplug the power cord. If you cannot unplug it, ask the customer to power-off the wall box that supplies power to the machine, and to lock the wall box in the off position.
- If you need to work on a machine that has exposed electrical circuits, observe the following precautions:
 - Ensure that another person, familiar with the power-off controls, is near you.

Attention: Another person must be there to switch off the power, if necessary.
 - Use only one hand when working with powered-on electrical equipment; keep the other hand in your pocket or behind your back.

Attention: An electrical shock can occur only when there is a complete circuit. By observing the above rule, you may prevent a current from passing through your body.
 - When using testers, set the controls correctly and use the approved probe leads and accessories for that tester.
 - Stand on suitable rubber mats (obtained locally, if necessary) to insulate you from grounds such as metal floor strips and machine frames.

Observe the special safety precautions when you work with very high voltages; instructions for these precautions are in the safety sections of maintenance information. Be extremely careful when you measure the high voltages.

- Regularly inspect and maintain your electrical hand tools for safe operational condition.
- Do not use worn or broken tools and testers.
- Never assume that power has been disconnected from a circuit. First, check it to make sure that it has been powered off.

- Always look carefully for possible hazards in your work area. Examples of these hazards are moist floors, nongrounded power extension cables, power surges, and missing safety grounds.
- Do not touch live electrical circuits with the reflective surface of a plastic dental mirror. The surface is conductive; such touching can cause personal injury and machine damage.
- Do not service the following parts with the power on when they are removed from their normal operating places in a machine:
 - Power supply units
 - Pumps
 - Blowers and fans
 - Motor generatorsand similar units. (This practice ensures correct grounding of the units.)
- If an electrical accident occurs:
 - Use caution: do not become a victim yourself.
 - Switch off the power.
 - Send the victim to get medical aid.

Safety inspection guide

The purpose of this inspection guide is to assist you in identifying potential unsafe conditions. As each machine was designed and built, required safety items were installed to protect users and service personnel from injury. This guide addresses only those items. You should use good judgment to identify potential safety hazards due to attachment of non-Lenovo features or options not covered by this inspection guide.

If any unsafe conditions are present, you must determine how serious the apparent hazard could be and whether you can continue without first correcting the problem.

Consider these conditions and the safety hazards they present:

- Electrical hazards, especially primary power (primary voltage on the frame can cause serious or fatal electrical shock)
- Explosive hazards, such as a damaged CRT face or a bulging capacitor
- Mechanical hazards, such as loose or missing hardware

To determine whether there are any potential unsafe conditions, use the following checklist at the beginning of every service task. Begin the checks with the power off, and the power cord disconnected.

Checklist:

1. Check exterior covers for damage (loose, broken, or sharp edges).
2. Turn off the computer. Disconnect the power cord.
3. Check the power cord for:
 - a. A third-wire ground connector in good condition. Use a meter to measure third-wire ground continuity for 0.1 ohm or less between the external ground pin and the frame ground.
 - b. The power cord should be the type specified in the parts list.
 - c. Insulation must not be frayed or worn.
4. Check for cracked or bulging batteries.
5. Remove the cover.
6. Check for any obvious non-Lenovo alterations. Use good judgment as to the safety of any non-Lenovo alterations.
7. Check inside the unit for any obvious unsafe conditions, such as metal filings, contamination, water or other liquids, or signs of fire or smoke damage.
8. Check for worn, frayed, or pinched cables.
9. Check that the power-supply cover fasteners (screws or rivets) have not been removed or tampered with.

Handling devices that are sensitive to electrostatic discharge

Any computer part containing transistors or integrated circuits (ICs) should be considered sensitive to electrostatic discharge (ESD). ESD damage can occur when there is a difference in charge between objects. Protect against ESD damage by equalizing the charge so that the machine, the part, the work mat, and the person handling the part are all at the same charge.

Notes:

1. Use product-specific ESD procedures when they exceed the requirements noted here.
2. Make sure that the ESD protective devices you use have been certified (ISO 9000) as fully effective.

When handling ESD-sensitive parts:

- Keep the parts in protective packages until they are inserted into the product.
- Avoid contact with other people.
- Wear a grounded wrist strap against your skin to eliminate static on your body.
- Prevent the part from touching your clothing. Most clothing is insulative and retains a charge even when you are wearing a wrist strap.
- Use the black side of a grounded work mat to provide a static-free work surface. The mat is especially useful when handling ESD-sensitive devices.
- Select a grounding system, such as those listed below, to provide protection that meets the specific service requirement.

Notes:

The use of a grounding system to guard against ESD damage is desirable but not necessary.

- Attach the ESD ground clip to any frame ground, ground braid, or green-wire ground.
- When working on a double-insulated or battery-operated system, use an ESD common ground or reference point. You can use coax or connector-outside shells on these systems.
- Use the round ground prong of the ac plug on ac-operated computers.

Grounding requirements

Electrical grounding of the computer is required for operator safety and correct system function. Proper grounding of the electrical outlet can be verified by a certified electrician.

Safety notices: multilingual translations

The safety notices in this section are provided in English, French, German, Hebrew, Italian, Japanese, and Spanish.

Safety notice 1

Before the computer is powered on after FRU replacement, make sure all screws, springs, and other small parts are in place and are not left loose inside the computer. Verify this by shaking the computer and listening for rattling sounds. Metallic parts or metal flakes can cause electrical shorts.

Avant de remettre l'ordinateur sous tension après remplacement d'une unité en clientèle, vérifiez que tous les ressorts, vis et autres pièces sont bien en place et bien fixées. Pour ce faire, secouez l'unité et assurez-vous qu'aucun bruit suspect ne se produit. Des pièces métalliques ou des copeaux de métal pourraient causer un court-circuit.

Bevor nach einem FRU-Austausch der Computer wieder angeschlossen wird, muß sichergestellt werden, daß keine Schrauben, Federn oder andere Kleinteile fehlen oder im Gehäuse vergessen wurden. Der Computer muß geschüttelt und auf Klappergeräusche geprüft werden. Metallteile oder-splitter können Kurzschlüsse erzeugen.

לפני הפעלת המחשב לאחר החלפת FRU יש לוודא שכל הברגים, הקפיצים, וחלקים קטנים אחרים נמצאים במקומם ואינם חופשיים לזוז בתוך המחשב. כדי לוודא זאת, יש ללטלט את המחשב ולהקשיב לגילוי קולות שקשוק. חלקי או שבבי מתכת עלולים לגרום לקצרים חשמליים.

Prima di accendere l'elaboratore dopo che é stata effettuata la sostituzione di una FRU, accertarsi che tutte le viti, le molle e tutte le altre parti di piccole dimensioni siano nella corretta posizione e non siano sparse all'interno dell'elaboratore. Verificare ciò scuotendo l'elaboratore e prestando attenzione ad eventuali rumori; eventuali parti o pezzetti metallici possono provocare cortocircuiti pericolosi.

FRUの交換後、コンピュータの電源を入れる前に、ねじ、バネ、その他の小さな部品がすべて正しい位置にあり、またコンピュータの内部で緩んでいないことを確認してください。これを確認するには、コンピュータを振って、カチャカチャと音がしないか確かめませう。金属部品や金属破片はショートの原因になることがあります。

Antes de encender el sistema despues de sustituir una FRU, compruebe que todos los tornillos, muelles y demás piezas pequeñas se encuentran en su sitio y no se encuentran sueltas dentro del sistema. Compruébelo agitando el sistema y escuchando los posibles ruidos que provocarían. Las piezas metálicas pueden causar cortocircuitos eléctricos.

Safety notice 2

DANGER

Some standby batteries contain a small amount of nickel and cadmium. Do not disassemble a standby battery, recharge it, throw it into fire or water, or short-circuit it. Dispose of the battery as required by local ordinances or regulations. Use only the battery in the appropriate parts listing. Use of an incorrect battery can result in ignition or explosion of the battery.

Certaines batteries de secours contiennent du nickel et du cadmium. Ne les démontez pas, ne les rechargez pas, ne les exposez ni au feu ni à l'eau. Ne les mettez pas en court-circuit. Pour les mettre au rebut, conformez-vous à la réglementation en vigueur. Lorsque vous remplacez la pile de sauvegarde ou celle de l'horloge temps réel, veillez à n'utiliser que les modèles cités dans la liste de pièces détachées adéquate. Une batterie ou une pile inappropriée risque de prendre feu ou d'exploser.

Die Bereitschaftsbatterie, die sich unter dem Diskettenlaufwerk befindet, kann geringe Mengen Nickel und Cadmium enthalten. Sie darf nicht zerlegt, wiederaufgeladen, kurzgeschlossen, oder Feuer oder Wasser ausgesetzt werden. Bei der Entsorgung die örtlichen Bestimmungen für Sondermüll beachten. Beim Ersetzen der Bereitschafts- oder Systematterie nur Batterien des Typs verwenden, der in der Ersatzteilliste aufgeführt ist. Der Einsatz falscher Batterien kann zu Entzündung oder Explosion führen.

סוללות המתנה מסוימות מכילות כמות קטנה של ניקל וקדמיום. אין למרק סוללת המתנה, לטעון אותה מחדש, להשליך אותה לאש או למים או לקצר אותה. יש לסלק את הסוללה בזהירות על ידי התקנות והחוקים המקומיים. יש להשתמש רק בסוללה המופיעה ברשימת החלקים המתאימה. שימוש בסוללה לא מתאימה עלול לגרום להצתה או התפוצצות של הסוללה.

Alcune batterie di riserva contengono una piccola quantità di nichel e cadmio. Non smontarle, ricaricarle, gettarle nel fuoco o nell'acqua né cortocircuitarle. Smaltirle secondo la normativa in vigore (DPR 915/82, successive disposizioni e disposizioni locali). Quando si sostituisce la batteria dell'RTC (real time clock) o la batteria di supporto, utilizzare soltanto i tipi inseriti nell'appropriato Catalogo parti. L'impiego di una batteria non adatta potrebbe determinare l'incendio o l'esplosione della batteria stessa.

予備バッテリーの中には少量のニッケルとカドミウムが含まれているものがあります。したがって、予備バッテリーの分解、再充電、火または水の中への投棄、またはショートさせることは決して行わないでください。バッテリーを廃棄する場合は地方自治体の条例に従ってください。適切なパーツ・リストにあるバッテリーだけを使用してください。誤ったバッテリーを使用すると、バッテリーが発火したり、爆発したりすることがあります。

Algunas baterías de reserva contienen una pequeña cantidad de níquel y cadmio. No las desmonte, ni recargue, ni las eche al fuego o al agua ni las cortocircuite. Deséchelas tal como dispone la normativa local. Utilice sólo baterías que se encuentren en la lista de piezas. La utilización de una batería no apropiada puede provocar la ignición o explosión de la misma.

Safety notice 3

⚠ DANGER

The battery pack contains small amounts of nickel. Do not disassemble it, throw it into fire or water, or short-circuit it. Dispose of the battery pack as required by local ordinances or regulations. Use only the battery in the appropriate parts listing when replacing the battery pack. Use of an incorrect battery can result in ignition or explosion of the battery.

La batterie contient du nickel. Ne la démontez pas, ne l'exposez ni au feu ni à l'eau. Ne la mettez pas en court-circuit. Pour la mettre au rebut, conformez-vous à la réglementation en vigueur. Lorsque vous remplacez la batterie, veillez à n'utiliser que les modèles cités dans la liste de pièces détachées adéquate. En effet, une batterie inappropriée risque de prendre feu ou d'exploser.

Akkus enthalten geringe Mengen von Nickel. Sie dürfen nicht zerlegt, wiederaufgeladen, kurzgeschlossen, oder Feuer oder Wasser ausgesetzt werden. Bei der Entsorgung die örtlichen Bestimmungen für Sondermüll beachten. Beim Ersetzen der Batterie nur Batterien des Typs verwenden, der in der Ersatzteilliste aufgeführt ist. Der Einsatz falscher Batterien kann zu Entzündung oder Explosion führen.

מארו הסוללה מכיל כמות קטנה של ניקל וקדמיום. אין לפרק את מארו הסוללה, להשליך אותו לאש או למים או לקצר אותו. יש לשלק את מארו הסוללה הסוללה כנדרש על ידי התקנות והחוקים המקומיים. יש להשתמש רק בסוללה המופיעה ברשימת החלקים המתאימה בזמן החלפת מארו הסוללה. שימוש בסוללה לא מתאימה עלול לגרום להצתה או התפוצצות של הסוללה.

La batteria contiene piccole quantità di nichel. Non smontarla, gettarla nel fuoco o nell'acqua né cortocircuitarla. Smaltirla secondo la normativa in vigore (DPR 915/82, successive disposizioni e disposizioni locali). Quando si sostituisce la batteria, utilizzare soltanto i tipi inseriti nell'appropriato Catalogo parti. L'impiego di una batteria non adatta potrebbe determinare l'incendio o l'esplosione della batteria stessa.

バッテリー・パックには少量のニッケルが含まれています。バッテリー・パックを分解したり、火または水の中に投げ込んだり、ショートさせないでください。バッテリー・パックの廃棄にあたっては、地方自治体の条例または規則に従ってください。バッテリー・パックを交換するときは、適切なパーツ・リストにあるバッテリーだけを使用してください。誤ったバッテリーを使用すると、バッテリーが発火したり、爆発したりすることがあります。

Las baterías contienen pequeñas cantidades de níquel. No las desmonte, ni recargue, ni las eche al fuego o al agua ni las cortocircuite. Deséchelas tal como dispone la normativa local. Utilice sólo baterías que se encuentren en la lista de piezas al sustituir la batería. La utilización de una batería no apropiada puede provocar la ignición o explosión de la misma.

Safety notice 4

⚠ DANGER

The lithium battery can cause a fire, an explosion, or a severe burn. Do not recharge it, remove its polarized connector, disassemble it, heat it above 100°C (212°F), incinerate it, or expose its cell contents to water. Dispose of the battery as required by local ordinances or regulations. Use only the battery in the appropriate parts listing. Use of an incorrect battery can result in ignition or explosion of the battery.

La pile de sauvegarde contient du lithium. Elle présente des risques d'incendie, d'explosion ou de brûlures graves. Ne la rechargez pas, ne retirez pas son connecteur polarisé et ne la démontez pas. Ne l'exposez pas à une température supérieure à 100°C, ne la faites pas brûler et n'en exposez pas le contenu à l'eau. Mettez la pile au rebut conformément à la réglementation en vigueur. Une pile inappropriée risque de prendre feu ou d'exploser.

Die Systematterie ist eine Lithiumatterie. Sie kann sich entzünden, explodieren oder schwere Verbrennungen hervorrufen. Batterien dieses Typs dürfen nicht aufgeladen, zerlegt, über 100 C erhitzt oder verbrannt werden. Auch darf ihr Inhalt nicht mit Wasser in Verbindung gebracht oder der zur richtigen Polung angebrachte Verbindungsstecker entfernt werden. Bei der Entsorgung die örtlichen Bestimmungen für Sondermüll beachten. Beim Ersetzen der Batterie nur Batterien des Typs verwenden, der in der Ersatzteilliste aufgeführt ist. Der Einsatz falscher Batterien kann zu Entzündung oder Explosion führen.

סוללת הליתיום עלולה לגרום לשריפה, להתפוצצות או לכוויות קשות. אין לטעון אותה מחדש, לטלוק את המחבר המקוטב שלה, למרק אותה או לחמם אותה לטמפרטורה העולה על 100 מעלות צלזיוס. אין לשרוף את הסוללה ואין לחשוף את תוכן התא למים. יש לטלוק את הסוללה כנדרש בתקנות ובחוקים המקומיים. יש להשתמש רק בסוללה המופיעה ברשימת החלקים המתאימים. שימוש בסוללה אחרת עלול לגרום לסכנת שריפה או התפוצצות.

La batteria di supporto e una batteria al litio e puo incendiarsi, esplodere o procurare gravi ustioni. Evitare di ricaricarla, smontarne il connettore polarizzato, smontarla, riscaldarla ad una temperatura superiore ai 100 gradi centigradi, incendarla o gettarla in acqua. Smaltirla secondo la normativa in vigore (DPR 915/82, successive disposizioni e disposizioni locali). L'impiego di una batteria non adatta potrebbe determinare l'incendio o l'esplosione della batteria stessa.

リチウム・バッテリーは、火災、爆発、または重症のやけどを引き起こすことがあります。バックアップ・バッテリーの充電、その極性コネクタの取り外し、バッテリー本体の分解、100°C (212°F) 以上への加熱、焼却、電池の中身を水に浸すことはしないでください。バッテリーを廃棄する場合は地方自治体の条例に従ってください。適切なパーツ・リストにあるバッテリーだけを使用してください。誤ったバッテリーを使用すると、バッテリーが発火したり、爆発したりすることがあります。

La batería de respaldo es una batería de litio y puede provocar incendios, explosiones o quemaduras graves. No la recargue, ni quite el conector polarizado, ni la desmonte, ni caliente por encima de los 100°C (212°F), ni la incinere ni exponga el contenido de sus celdas al agua. Deséchela tal como dispone la normativa local.

Safety notice 5

If the LCD breaks and the fluid from inside the LCD gets into your eyes or on your hands, immediately wash the affected areas with water at least for 15 minutes. Seek medical care if any symptoms caused by the fluid are present after washing.

Si le panneau d'affichage à cristaux liquides se brise et que vous recevez dans les yeux ou sur les mains une partie du fluide, rincez-les abondamment pendant au moins quinze minutes. Consultez un médecin si des symptômes persistent après le lavage.

Die Leuchtstoffröhre im LCD-Bildschirm enthält Quecksilber. Bei der Entsorgung die örtlichen Bestimmungen für Sondermüll beachten. Der LCD-Bildschirm besteht aus Glas und kann zerbrechen, wenn er unsachgemäß behandelt wird oder der Computer auf den Boden fällt. Wenn der Bildschirm beschädigt ist und die darin befindliche Flüssigkeit in Kontakt mit Haut und Augen gerät, sollten die betroffenen Stellen mindestens 15 Minuten mit Wasser abgespült und bei Beschwerden anschließend ein Arzt aufgesucht werden.

אם מסך הניבש הנוזלי (LCD) נשבר והנוזל מתוך המסך בא במגע עם עיניכם או ידיכם, שטפו את האזורים הנוגעים מיד במים במשך 15 דקות לפחות. פנו לקבלת עזרה רפואית אם תסמינים הנובעים מהמגע עם הנוזל נמשכים לאחר השטיפה.

Nel caso che caso l'LCD si dovesse rompere ed il liquido in esso contenuto entrasse in contatto con gli occhi o le mani, lavare immediatamente le parti interessate con acqua corrente per almeno 15 minuti; poi consultare un medico se i sintomi dovessero permanere.

LCD が破損し、LCD 中の液体が目に入ったり、手に触れたりした場合は、液体が触れた部分を少なくとも 15 分間洗い流してください。洗い流した後に、液体によって何らかの症状が現れた場合は、医師の治療を受けてください。

Si la LCD se rompe y el fluido de su interior entra en contacto con sus ojos o sus manos, lave inmediatamente las áreas afectadas con agua durante 15 minutos como mínimo. Obtenga atención medica si se presenta algún síntoma del fluido despues de lavarse.

Safety notice 6

⚠ DANGER

To avoid shock, do not remove the plastic cover that protects the lower part of the inverter card.

Afin d'éviter tout risque de choc électrique, ne retirez pas le cache en plastique protégeant la partie inférieure de la carte d'alimentation.

Aus Sicherheitsgründen die Kunststoffabdeckung, die den unteren Teil der Spannungswandlerplatine umgibt, nicht entfernen.

כדי למנוע התחשמלות, אין להסיר את מכסה הפלסטיק המגן על חלקו התחתון של הכרטיס ההפוך.

Per evitare scosse elettriche, non rimuovere la copertura in plastica che avvolge la parte inferiore della scheda invertitore.

感電を防ぐため、インバーター・カードの下部を保護しているプラスチック・カバーを外さないでください。

Para evitar descargas, no quite la cubierta de plástico que rodea la parte baja de la tarjeta invertida.

Safety notice 7

⚠ DANGER

Though the main batteries have low voltage, a shorted or grounded battery can produce enough current to burn personnel or combustible materials.

Bien que le voltage des batteries principales soit peu élevé, le court-circuit ou la mise à la masse d'une batterie peut produire suffisamment de courant pour brûler des matériaux combustibles ou causer des brûlures corporelles graves.

Obwohl Hauptbatterien eine niedrige Spannung haben, können sie doch bei Kurzschluß oder Erdung genug Strom abgeben, um brennbare Materialien zu entzünden oder Verletzungen bei Personen hervorzurufen.

אף שהסוללות הראשיות הן בעלות מתח נמוך, סוללה מקוצרת או מוארקת עלולה להפיק זרם מספיק לגרימת כוויות או להצתת חומרים דליקים.

Sebbene le batterie di alimentazione siano a basso voltaggio, una batteria in corto circuito o a massa può fornire corrente sufficiente da bruciare materiali combustibili o provocare ustioni ai tecnici di manutenzione.

メイン・バッテリーの電圧は低くても、ショートしたり、接地したバッテリーが、作業者にやけどを負わせたり、可燃物を燃やすだけの電流を発生させる場合があります。

Aunque las baterías principales tienen un voltaje bajo, una batería cortocircuitada o con contacto a tierra puede producir la corriente suficiente como para quemar material combustible o provocar quemaduras en el personal.

Safety notice 8

⚠ DANGER

Before removing any FRU, turn off the computer, unplug all power cords from electrical outlets, remove the battery pack, and then disconnect any interconnecting cables.

Avant de retirer une unité remplaçable en clientèle, mettez le système hors tension, débranchez tous les cordons d'alimentation des socles de prise de courant, retirez la batterie et déconnectez tous les cordons d'interface.

Die Stromzufuhr muß abgeschaltet, alle Stromkabel aus der Steckdose gezogen, der Akku entfernt und alle Verbindungskabel abgenommen sein, bevor eine FRU entfernt wird.

לפני סילוק FRU כלשהו, יש לכבות את המחשב, לנתק את כל כבלי החשמל משקעי החשמל, להוציא את מארז הסוללה, ואז לנתק כבלי חיבור אחרים אם יש כאלה.

Prima di rimuovere qualsiasi FRU, spegnere il sistema, scollegare dalle prese elettriche tutti i cavi di alimentazione, rimuovere la batteria e poi scollegare i cavi di interconnessione.

FRUを取り外す前に、ThinkPadの電源を切って、すべての電源コードをコンセントから外してください。次に、バッテリー・パックを外し、相互接続ケーブルを外してください。

Antes de quitar una FRU, apague el sistema, desenchufe todos los cables de las tomas de corriente eléctrica, quite la batería y, a continuación, desconecte cualquier cable de conexión entre dispositivos.

Laser compliance statement

Some models of Lenovo computer are equipped from the factory with an optical storage device such as a CD-ROM drive or a DVD-ROM drive. Such devices are also sold separately as options. If one of these drives is installed, it is certified in the U.S. to conform to the requirements of the Department of Health and Human Services 21 Code of Federal Regulations (DHHS 21 CFR) Subchapter J for Class 1 laser products. Elsewhere, the drive is certified to conform to the requirements of the International Electrotechnical Commission (IEC) 825 and CENELEC EN 60825 for Class 1 laser products.

If a CD-ROM drive, a DVD-ROM drive, or another laser device is installed, note the following:

CAUTION

Use of controls or adjustments or performance of procedures other than those specified herein might result in hazardous radiation exposure.

O uso de controles, ajustes ou desempenho de procedimentos diferentes daqueles aqui especificados pode resultar em perigosa exposição à radiação.

凡未在这里指明的任何控制用法、调整、行为，都会导致严重后果。

Pour éviter tout risque d'exposition au rayon laser, respectez les consignes de réglage et d'utilisation des commandes, ainsi que les procédures décrites.

Werden Steuer- und Einstellelemente anders als hier festgesetzt verwendet, kann gefährliche Laserstrahlung auftreten.

Az itt előírt eljárásoktól, beállításoktól és vezérlésektől eltérni a lézersugárzás veszélye miatt kockázatos!

L'utilizzo di controlli, regolazioni o l'esecuzione di procedure diverse da quelle specificate possono provocare l'esposizione a.

Использование элементов настройки и выполнение процедур иных, чем указано здесь, может привести к опасному радиационному облучению.

Použitie kontrol, úprav alebo iných vykonaní od iných výrobcov, ako je v tomto špecifikované, mohlo by mať za následok nebezpečenstvo vystavenia sa vyžiarovaniu.

本書で指定された内容以外の、お客様による整備、調整、または手順を行った場合、レーザー光の放射の危険があります。

El uso de controles o ajustes o la ejecución de procedimientos distintos de los aquí especificados puede provocar la exposición a radiaciones peligrosas.

Opening the CD-ROM drive, the DVD-ROM drive, or any other optical storage device could result in exposure to hazardous laser radiation. There are no serviceable parts inside those drives. **Do not open.**

A CD-ROM drive, a DVD-ROM drive, or any other storage device installed may contain an embedded Class 3A or Class 3B laser diode. Note the following:

 **DANGER**

Emits visible and invisible laser radiation when open. Do not stare into the beam, do not view directly with optical instruments, and avoid direct exposure to the beam.

Radiação por raio laser ao abrir. Não olhe fixo no feixe de luz, não olhe diretamente por meio de instrumentos óticos e evite exposição direta com o feixe de luz.

开启时会有激光发射时，请勿直视激光光束，请勿直接查看视觉仪器，并且避免直接接触在激光光束之中。

Rayonnement laser si carter ouvert. Évitez de fixer le faisceau, de le regarder directement avec des instruments optiques, ou de vous exposer au rayon.

Laserstrahlung bei geöffnetem Gerät. Nicht direkt oder über optische Instrumente in den Laserstrahl sehen und den Strahlungsbereich meiden.

Kinyitáskor lézersugár! Ne nézzen bele se szabad szemmel, se optikai eszközökkel. Kerülje a sugárnyalábbal való érintkezést!

Aprendo l'unità vengono emesse radiazioni laser. Non fissare il fascio, non guardarlo direttamente con strumenti ottici e evitare l'esposizione diretta al fascio.

Открывая, берегитесь лазерного излучения. Не смотрите на луч, не разглядывайте его с помощью оптических инструментов, а также избегайте прямого воздействия лазерного луча.

Keď je laserová jednotka otvorená. Vyhňte sa priamemu pohľadu a nehládte priamo s optickými nástrojmi do lúča a vyhňte sa priamemu vystaveniu lúčov.

開けるとレーザー光が放射されます。光線を見つめたり、光学機械を使って直接見たりしないでください。

Radiación láser al abrir. No mire fijamente ni examine con instrumental óptico el haz de luz. Evite la exposición directa al haz.

Important service information

This chapter presents the following important service information:

- “Strategy for replacing FRUs” on page 16
 - “Strategy for replacing a hard disk drive” on page 17
 - “Important notice for replacing a system board” on page 17
- “Important information about replacing RoHS compliant FRUs” on page 18

Important:

BIOS and device driver fixes are customer-installable. The BIOS and device drivers are posted on the customer support site:
<http://support.lenovo.com>.

Strategy for replacing FRUs

Before replacing parts:

Make sure that all software fixes, drivers, and BIOS downloads are installed before replacing any FRUs listed in this manual.

After a system board is replaced, ensure that the latest BIOS is loaded to the system board before completing the service action.

To download software fixes, drivers, and BIOS, follow the steps below:

1. Go to <http://support.lenovo.com>.
2. Enter the serial number or select a product or use Lenovo smart downloading.
3. Select the BIOS/Driver/Applications and download.
4. Follow the directions on the screen and install the necessary software.

Use the following strategy to prevent unnecessary expense for replacing and servicing FRUs:

- If you are instructed to replace an FRU, but the replacement does not solve the problem, reinstall the original FRU before you continue.
- Some computers have both a processor board and a system board. If you are instructed to replace either of them, and replacing one of them does not solve the problem, reinstall that board, and then replace the other one.
- If an adapter or a device consists of more than one FRU, any of the FRUs may be the cause of the error. Before replacing the adapter or device, remove the FRUs one by one to see if the symptoms change. Replace only the FRU that changed the symptoms.

Attention: The setup configuration on the computer you are servicing may have been customized. Running Automatic Configuration may alter the settings. Note the current configuration settings (using the View Configuration option); then, when service has been completed, verify that those settings remain in effect.

Strategy for replacing a hard disk drive

Always try to run a low-level format before replacing a hard disk drive. This will cause all customer data on the hard disk to be lost. Make sure that the customer has a current backup of the data before performing this action.

Attention: The drive startup sequence in the computer you are servicing may have been changed. Be extremely careful during write operations such as copying, saving, or formatting. If you select an incorrect drive, data or programs can be overwritten.

Important notice for replacing a system board

Some components mounted on a system board are very sensitive. Improper handling can cause damage to those components, and may cause a system malfunction.

Attention: When handling a system board:

- Do not drop the system board or apply any excessive force to it.
- Avoid rough handling of any kind.
- Avoid bending the system board and hard pushing to prevent cracking at each BGA (Ball Grid Array) chipset.

Important information about replacing RoHS compliant FRUs

RoHS, The Restriction of Hazardous Substances in Electrical and Electronic Equipment Directive (2002/95/EC) is a European Union legal requirement affecting the global electronics industry. RoHS requirements must be implemented on Lenovo products placed on the market after June 2006. Products on the market before June 2006 are not required to have RoHS compliant parts. If the original FRU parts are non-compliant, replacement parts can also be non-compliant. In all cases if the original FRU parts are RoHS compliant, the replacement part must also be RoHS compliant.

Note: RoHS and non-RoHS FRU part numbers with the same fit and function are identified with unique FRU part numbers.

Lenovo plans to transit to RoHS compliance well before the implementation date and expects its suppliers to be ready to support Lenovo's requirements and schedule in the EU. Products sold in 2005 and 2006 will contain some RoHS compliant FRUs. The following statement pertains to these products and any product Lenovo produces containing RoHS compliant FRUs.

RoHS compliant FRUs have unique FRU part numbers. Before or after the RoHS implementation date, failed RoHS compliant parts must always be replaced with RoHS compliant ones, so only the FRUs identified as compliant in the system HMM or direct substitutions for those FRUs may be used.

Products marketed before June 2006		Products marketed after June 2006	
Current or original part	Replacement FRU	Current or original part	Replacement FRU
Non-RoHS	Can be Non-RoHS	Must be RoHS	Must be RoHS
Non-RoHS	Can be RoHS		
Non-RoHS	Can sub to RoHS		
RoHS	Must be RoHS		

Note: A direct substitution is a part with a different FRU part number that is automatically shipped by the distribution center at the time of the order.

General checkout

This chapter presents the following information:

- “What to do first” on page 20
- “Power system checkout” on page 21

Before you go to the checkout, make sure to read the following important notes:

Important notes:

- **Only certified trained personnel can service the computer.**
- **Before replacing any FRU, read the entire page on removing and replacing FRUs.**
- **When you replace FRUs, use new nylon-coated screws.**
- **Be extremely careful during such write operations as copying, saving, or formatting.** Drives in the computer that you are servicing sequence might have been altered. If you select an incorrect drive, data or programs might be overwritten.
- **Replace an FRU only with another FRU of the correct model.** When you replace an FRU, make sure that the machine model and the FRU part number are correct by referring to the FRU parts list.
- **An FRU should not be replaced just because of a single, unreproducible failure.** Single failures can occur for a variety of reasons that have nothing to do with a hardware defect, such as cosmic radiation, electrostatic discharge, or software errors. Consider replacing an FRU only when a problem recurs. If you suspect that an FRU is defective, clear the error logs and run the test again. If the error does not recur, do not replace the FRU.
- **Be careful not to replace a nondefective FRU.**

What to do first

When you do return an FRU, you must include the following information in the parts exchange form or parts return form that you attach to it:

1. Name and phone number of servicer
2. Date of service
3. Date on which the machine failed
4. Date of purchase
5. Procedure index and page number in which the failing FRU was detected
6. Failing FRU name and part number
7. Machine type, model number, and serial number
8. Customer's name and address

Note for warranty: During the warranty period, the customer may be responsible for repair costs if the computer damage was caused by misuse, accident, modification, unsuitable physical or operating environment, or improper maintenance by the customer.

The following is a list of some common items that are not covered under warranty and some symptoms that might indicate that the system was subjected to stress beyond normal use.

Before checking problems with the computer, determine whether the damage is covered under the warranty by referring to the following list:

The following are not covered under warranty:

- LCD panel cracked from the application of excessive force or from being dropped
- Scratched (cosmetic) parts
- Distortion, deformation, or discoloration of the cosmetic parts
- Plastic parts, latches, pins, or connectors that have been cracked or broken by excessive force
- Damage caused by liquid spilled into the system
- Damage caused by the improper insertion of a PC Card or the installation of an incompatible card
- Improper disk insertion or use of an optical drive
- Diskette drive damage caused by pressure on the diskette drive cover, foreign material in the drive, or the insertion of a diskette with multiple labels
- Damaged or bent diskette eject button
- Fuses blown by attachment of a nonsupported device
- Forgotten computer password (making the computer unusable)
- Sticky keys caused by spilling a liquid onto the keyboard
- Use of an incorrect AC adapter on laptop products

The following symptoms might indicate damage caused by nonwarranted activities:

- Missing parts might be a symptom of unauthorized service or modification.
- If the spindle of a hard disk drive becomes noisy, it may have been subjected to excessive force, or dropped.

Power system checkout

To verify a symptom, follow the steps below:

1. Turn off the computer.
2. Remove the battery pack.
3. Connect the AC adapter.
4. Make sure that power is supplied when you turn on the computer.
5. Turn off the computer.
6. Disconnect the AC adapter and install the charged battery pack.
7. Make sure that the battery pack supplies power when you turn on the computer.

If you suspect a power problem, see the appropriate one of the following power supply checkouts:

- “Checking the AC adapter” on page 21
- “Checking operational charging” on page 22
- “Checking the battery pack” on page 22

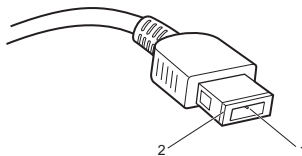
Checking the AC adapter

You are here because the computer fails only when the AC adapter is used.

- If the power-on indicator does not turn on, check the power cord of the AC adapter for correct continuity and installation.
- If the computer does not charge during operation, go to “Checking operational charging”.

To check the AC adapter, follow the steps below:

1. Unplug the AC adapter cable from the computer.
2. Measure the output voltage at the plug of the AC adapter cable. See the following figure:



Pin	Voltage (V DC)
1	+20
2	0

Note: Output voltage for the AC adapter pin No. 2 may differ from the one you are servicing.

3. If the voltage is not correct, replace the AC adapter.
4. If the voltage is acceptable, do the following:
 - Replace the system board.
 - If the problem persists, go to “Lenovo Flex 2-14/Flex 2-14D/Flex 2-15/Flex 2-15D” on page 27.

Note: Noise from the AC adapter does not always indicate a defect.

Checking operational charging

To check whether the battery charges properly during operation, use a discharged battery pack or a battery pack that has less than 50% of the total power remaining when installed in the computer.

Perform operational charging. If the battery status indicator or icon does not light on, remove the battery pack and let it return to room temperature. Reinstall the battery pack. If the charge indicator or icon is still off, replace the battery pack.

If the charge indicator still does not light on, replace the system board. Then reinstall the battery pack. If it is still not charged, go to the next section.

Checking the battery pack

Battery charging does not start until the Power Meter shows that less than 95% of the total power remains; under this condition the battery pack can charge to 100% of its capacity. This protects the battery pack from being overcharged or from having a shortened life.

To check your battery, move your cursor to the Power Meter icon in the icon tray of the Windows® taskbar and wait for a moment (but do not click it), and the percentage of battery power remaining is displayed. To get detailed information about the battery, double-click the Power Meter icon.

Note: If the battery pack becomes hot, it may not be able to be charged. Remove it from the computer and leave it at room temperature for a while. After it cools down, reinstall and recharge it.

Related service information

This chapter presents the following information:

- “Restoring the factory contents by using Recovery Disc Set” on page 23
- “Passwords” on page 24
- “Power management” on page 25

Restoring the factory contents by using Recovery Disc Set

When the hard disk drive or solid state drive is replaced because of a failure, no product recovery program is on the new drive. In this case, you must use the *Recovery Disc Set* for the computer. Order the *Recovery Disc Set* and the drive at the same time so that you can recover the new drive with the pre-installed software when they arrive.

The *Recovery Disc Set* consists of the following set of DVDs to restore the computer to the original factory configuration.

Start Recovery Disc (one disc)

This disc is used to format the hard disk drive and initiate the recovery process.

Operating System Recovery Disc (one or more discs)

This disc restores the Microsoft Windows operating system.

Applications and Drivers Recovery Disc (one or more discs)

This disc restores the pre-installed applications and drivers on the computer.

Supplemental Recovery Disc

This disc contains additional content, such as software for specific models and updates to the software that was preloaded on the computer. Not all recovery disc sets come with a *Supplemental Recovery Disc*.

To restore the computer to the original factory configuration using the recovery disc set, do the following:

1. Insert the bootable *Start Recovery Disc* into the optical drive.
2. Start the computer. When the Lenovo logo comes up, immediately press F12; on the boot sequence menu, select the optical drive as the first boot-up device. The computer will boot from the *Start Recovery Disc*. Follow the on-screen instructions to begin the recovery process.
3. Read the license. If you agree with the terms, select **I accept these terms and conditions** and then click **Next**.
4. Insert the **Operating System Recovery Disc** when prompted and click **Yes** to begin the operating system recovery process.
5. Insert the *Applications and Drivers Recovery Disc* when prompted and then click **OK** to begin the applications and drivers recovery process.
6. If you have a *Supplemental Recovery Disc*, insert it when prompted and click **Yes**. If you do not have a *Supplemental Recovery Disc*, click **No**.

7. When all of the data has been copied from the last disc in the set, remove the disc and restart the computer.

Note: The remainder of the recovery process is fully automated and no action is required by you. The computer will restart into the Windows desktop several times and you might experience periods when no activity is apparent on the screen for several minutes at a time. This is normal.

8. When the recovery process is complete, the Welcome to the Microsoft Windows screen is displayed. Follow the instructions on the screen to complete the Windows setup.

Passwords

As many as three passwords may be needed for any Lenovo computer: the power-on password (POP), the hard disk password (HDP), and the supervisor password (SVP).

If any of these passwords has been set, a prompt for it appears on the screen whenever the computer is turned on. The computer does not start until the password is entered.

Exception: If only an SVP is installed, the password prompt does not appear when the operating system is booted.

Power-on password

A power-on password (POP) protects the system from being powered on by an unauthorized person. The password must be entered before an operating system can be booted.

Hard-disk password

There are two hard-disk passwords (HDPs):

+ User HDP - for the user

+ Master HDP - for the system administrator, who can use it to get access to the hard disk drive even if the user has changed the user HDP

Attention: If the user HDP has been forgotten, check whether a master HDP has been set. If it has, it can be used for access to the hard disk drive. If no master HDP is available, neither Lenovo nor Lenovo authorized service technicians provide any services to reset either the user or the master HDP, or to recover data from the hard disk drive. The hard disk drive can be replaced for a scheduled fee.

Supervisor password

A supervisor password (SVP) protects the system information stored in the BIOS Setup Utility. The user must enter the SVP in order to get access to the BIOS Setup Utility and change the system configuration.


Attention: If the SVP has been forgotten and cannot be made available to the servicer, there is no service procedure to reset the password. The system board must be replaced for a scheduled fee.


Power management

Note: Power management modes are not supported for APM operating system.

To reduce power consumption, the computer has three power management modes: screen blank, sleep (standby), and hibernation.

Screen blank state

If the time set on the “Turn off monitor” timer in the operating system expires, the LCD backlight turns off. You can also turn off the LCD backlight by pressing .

To end screen blank state and resume normal operation, press .



Putting the computer to sleep or shutting it down

When you have finished working with your computer, you can put it to sleep or shut it down.

Putting your computer to sleep

If you will be away from your computer briefly, put the computer to sleep. When the computer is in sleep mode, you can quickly wake it to resume use, bypassing the startup process.

To put the computer to sleep, do one of the following:

- Close the display lid.
- Press the Power button.
- Press and hold or right-click the **Start** button in the lower-left corner and select **Shut down or sign out** → **Sleep**.
- Open the charms and then select **Settings**  → **Power**  → **Sleep**.

Note: Put your computer to sleep before you move it. Moving your computer while the hard disk drive is spinning can damage the hard disk, causing loss of data.



To wake the computer, do one of the following:

- Press any key on the keyboard. (Notebook mode only)
- Press the Power button.

Note: Only available to the factory settings.

Shutting down the computer

If you are not going to use your computer for a long time, shut it down. To shut down the computer, do one of the following:

- Press and hold or right-click the **Start** button in the lower-left corner and select **Shut down or sign out** → **Shut down**.
- Open the charms bar and select **Settings**  → **Power**  → **Shut down**.

Lenovo Flex 2-14/Flex 2-14D/Flex 2-15/Flex 2-15D

This chapter presents the following product-specific service references and product-specific parts information:

- “Specifications” on page 27
- “Status indicators” on page 29
- “FRU tests” on page 31
- “FRU replacement notices” on page 32
- “Removing and replacing an FRU” on page 33
- “Locations” on page 66
- “Parts list” on page 70

Specifications

The following table lists the specifications of the Lenovo Flex 2-14/Flex 2-14D/Flex 2-15/Flex 2-15D:

Table 1. Specifications

Feature	Description
Processor	See the system properties of your computer. You can do this as follows: Click Control Panel , then click Hardware and Sound , click Device Manager under Devices and Printers and double click Processors .
Graphic Chipset	Flex 14/15: NV N14M-GE/N14P-GV2/Intel Integrated Flex 14D/15D: AMD Sun Pro/AMD Integrated
Display	16:9 (1,366 × 768 pixels/1,920 × 1,080 pixels)
Standard memory	DDR3L-1333MHz/1600MHz 16 GB SODIMM × 2
CMOS RAM	256 bytes
Hard disk drive	2.5-inch, 7.0 mm
Optical drive	9.0 mm, RAMBO
SSD	NGFF: 16G SATA: 128GB/256GB

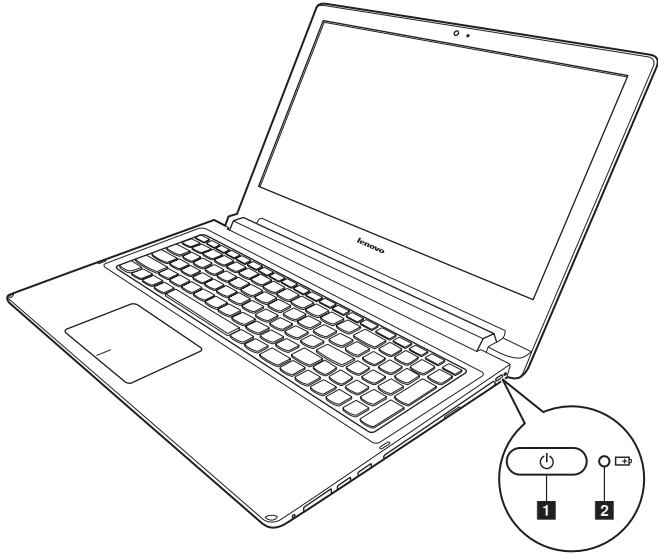
// Lenovo Flex 2-14/Flex 2-14D/Flex 2-15/Flex 2-15D Hardware Maintenance Manual

Bus architecture:	<p>GPU: PCIe 2.0, 5GT/s WLAN: PCIe 1.0, 2.5GT/s RAM: DDR3L, 1600MT/s DMI x 4, N/A FDI x 2, N/A LCD: eDP 1.2, 5.4GT/s HDMI Port: HDMI 1.4, 1.65GT/s HDD: SATA 3.0, 6Gb/s ODD: SATA 1.0, 1.5Gb/s USB Port: USB 3.0, 5Gb/s USB 2.0, 480Mb/s BT: USB2.0, 480Mb/s Card Reader: SD3.0, 104Mb/s SMBus 2.0 LPC 1.1 HDA SPI</p>
I/O ports	HDMI port × 1
	USB 2.0 × 2, USB 3.0 × 1
	2 in 1 slot × 1 (MMC, SD)
Audio	<p>Combo audio jack × 1 Speaker × 2 Built-in microphone</p>
Video	HDMI port × 1
WLAN	<p>Intel Wifi 2x2 BGN +BT4.0 Intel Wifi A/C BGN + BT4.0 Wifi 1x1 BGN (not support Win8/Win8.1, not support ultrabook) Wifi 1x1 BGN + BT4.0 (not support Ultrabook)</p>
WWAN	N/A
Bluetooth	Not support discrete card
Keyboard	New Key Board
Touch pad	One piece touch pad
Integrated camera	HD/640 × 480 pixels
Battery	Lithium-ion
AC adapter	45 W/65 W
Pre-installed operating system	Win8/Linpus

Status indicators

The system status indicators below show the computer status:

Flex 2-15/Flex 2-15D:



Flex 2-14/Flex 2-14D:

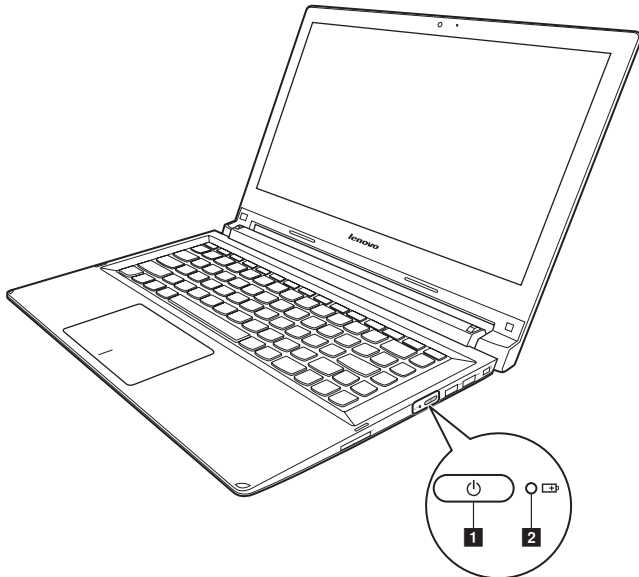


Table 2. Status indicators













Indicator	Indicator status	Charge Status	Meaning
Power status indicator	On (solid white)	—	The computer is powered on.
	Blinking	—	The computer is in sleep mode.
	Off	—	The computer is powered off.
Battery status indicator	On (solid white)	Discharging	The battery has more than 20% charge.
	Solid amber	Discharging	The battery has between 5% and 20% charge.
	Fast blinking amber	Charging/ Discharging	The battery has less than 5% charge.
	Slow blinking amber	Charging	The battery is being charged. When battery charge reaches 20%, the blinking color changes to white.
	Slow blinking white	Charging	The battery has between 20% and 80% charge and is still charging. When the battery reaches 80% charge the light will stop blinking, but charging will continue until the battery is fully charged.

Hotkeys

The hotkeys are located in the function key row of the keyboard. By pressing the appropriate hotkey, you can change system settings instantly.

The following describes the function of each hotkey.

Table 3. Hotkeys

 F1	: Mutes/unmutes the sound.	 F7	: Enables/disables airplane mode.
 F2	: Decreases the volume level.	 F8	: Switches the active program.
 F3	: Increases the volume level.	 F9	: Turns on/off the backlight of the display.
 F4	: Closes the currently active window.	 F10	: Projects to a connected display.
 F5	: Refreshes the desktop or the currently active window.	 F11	: Decreases display brightness.
 F6	: Enables/disables the touch pad and the touch pad buttons.	 F12	: Increases display brightness.

FRU replacement notices

This section presents notices related to removing and replacing parts. Read this section carefully before replacing any FRU.

Screw notices

Loose screws can cause a reliability problem. In the Lenovo computer, this problem is addressed with special nylon-coated screws that have the following characteristics:

- They maintain tight connections.
- They do not easily come loose, even with shock or vibration.
- They are harder to tighten.
- Each one should be used only once.

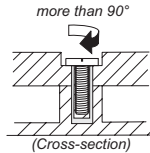
Do the following when you service this machine:

- Keep the screw kit in your tool bag.
- Remove screws carefully for reuse.
- Use a torque screwdriver if you have one.

Tighten screws as follows:

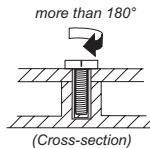
- **Plastic to plastic**

Turn an additional 90° after the screw head touches the surface of the plastic part:



- **Logic card to plastic**

Turn an additional 180° after the screw head touches the surface of the logic card:



- **Torque driver**

If you have a torque screwdriver, refer to the "Torque" column for each step.

- Make sure that you use the correct screws. If you have a torque screwdriver, tighten all screws firmly to the torque shown in the table. **Never use a screw that you removed. Use a new one. Make sure that all screws are tightened firmly.**
- Ensure torque screwdrivers are calibrated correctly following country specifications.

Removing and replacing an FRU

This section presents exploded figures with the instructions to indicate how to remove and replace the FRU. Make sure to observe the following general rules:

1. Do not attempt to service any computer unless you have been trained and certified. An untrained person runs the risk of damaging parts.
2. Before replacing any FRU, review “FRU replacement notices” on page 32.
3. Begin by removing any FRUs that have to be removed before the failing FRU. Any of such FRUs are listed at the top of the page. Remove them in the order in which they are listed.
4. Follow the correct sequence in the steps to remove the FRU, as given in the figures by the numbers in square callouts.
5. When turning a screw to replace an FRU, turn it in the direction as given by the arrow in the figure.
6. When removing the FRU, move it in the direction as given by the arrow in the figure.
7. To put the new FRU in place, reverse the removal procedures and follow any of the notes that pertain to replacement. For information about connecting and arranging internal cables, see “Locations” on page 66.
8. When replacing an FRU, use the correct screw as shown in the procedures.

DANGER

Before removing any FRU, turn off the computer, unplug all power cords from electrical outlets, remove the battery pack, and then disconnect any of the interconnecting cables.

Attention: After replacing an FRU, do not turn on the computer until you have made sure that all screws, springs, and other small parts are in place and none are loose inside the computer. Verify this by shaking the computer gently and listening for rattling sounds. Metallic parts or metal flakes can cause electrical short circuits.

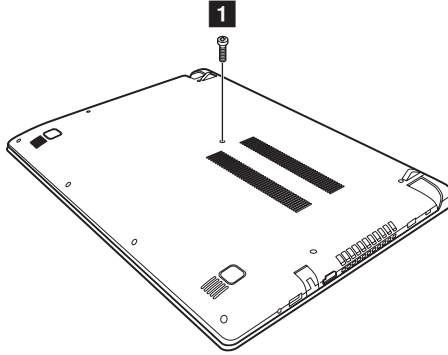
Attention: The system board is sensitive to, and can be damaged by, electrostatic discharge. Before touching it, establish personal grounding by touching a ground point with one hand or using an electrostatic discharge (ESD) strap (P/N 6405959) to remove potential shock reasons.

Note: The illustrations used in this section are of the Lenovo Ideapad Flex 2-15/ Flex 2-15D, unless otherwise stated.

1010 Keyboard

Figure 1. Removal steps of keyboard

Remove the screw **1**.



Step	Screw (quantity)	Color	Torque
1	M2.0 × 6 mm, flat-head, nylok-coated (1) (Flex 2-14/ Flex 2-14D)	Black	18~2.0 kgfcm
	M2.0 × 6 mm, flat-head, nylok-coated(1) (Flex 2-15/ Flex 2-15D)	Black	1.85+/-0.15 kgfcm

Loosen the keyboard with fingers in the direction shown by arrow **2**.



Figure 1. Removal steps of keyboard (continued)

Lift the keyboard a little **3**. Pull the keyboard connector slot cover upward as shown by arrow **4**, detach the keyboard cable from the keyboard connector in the direction shown by arrow **5**.



When installing: Make sure that the FPC connectors are attached firmly.

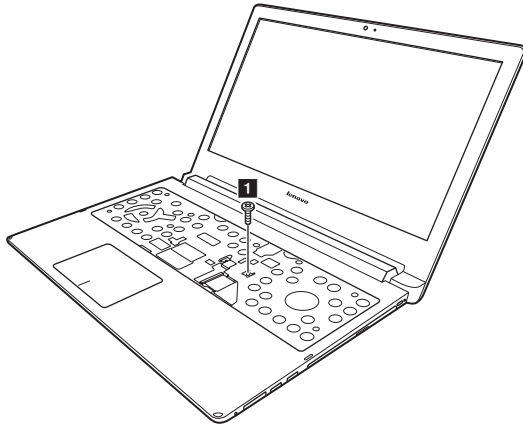
1020 Optical drive

For access, remove this FRU:

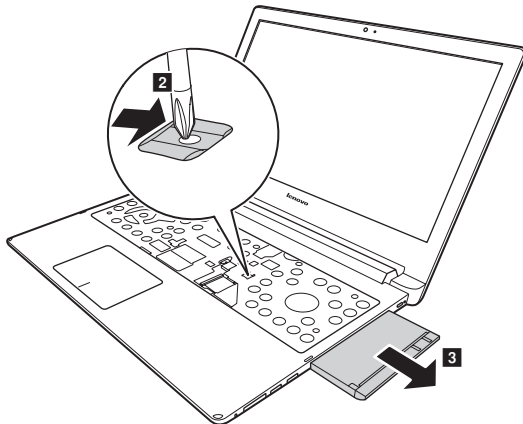
- “1010 Keyboard” on page 34

Figure 2. Removal steps of optical drive

Remove the screw **1**, insert a screwdriver into the screw hole and push the optical drive in the direction shown by arrow **2**. Pull the optical drive out in the direction shown by arrow **3**.



Step	Screw (quantity)	Color	Torque
1	M2 × 6 mm, flat-head, nylokcoated (1)	Black	1.85+/-0.15 kgfcm



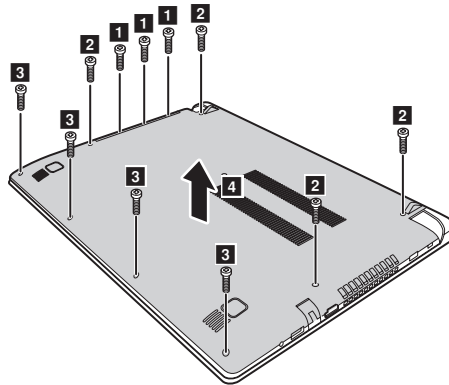
1030 Hard disk drive(HDD)/Memory/Mini PCI Express Card slot compartment cover

For access, remove these FRUs in order:

- “1010 Keyboard” on page 34
- “1020 Optical drive” on page 36

Figure 3. Removal steps of HDD/Memory/Mini PCI Express Card slot compartment cover

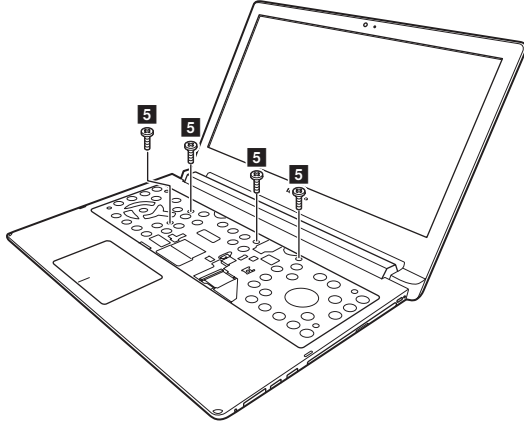
Loosen the screws **1** **2** and **3** that secure the compartment cover. Remove the compartment cover **4** .



Step	Screw (quantity)	Color	Torque
1	M2 × 6 mm, flat-head, nylok-coated (8) (Flex 2-14/ Flex 2-14D)	Black	18~2.0 kgfcm
	M2 × 3.5 mm, flat-head, nylok-coated (4) (Flex 2-15/ Flex 2-15D)	Black	1.85+/-0.15 kgfcm
	M2 × 6 mm, flat-head, nylok-coated (4) (Flex 2-15/ Flex 2-15D)	Black	1.85+/-0.15 kgfcm
	M2 × 2 mm, flat-head, nylok-coated (3) (Flex 2-15/ Flex 2-15D)	Black	1.85+/-0.15 kgfcm

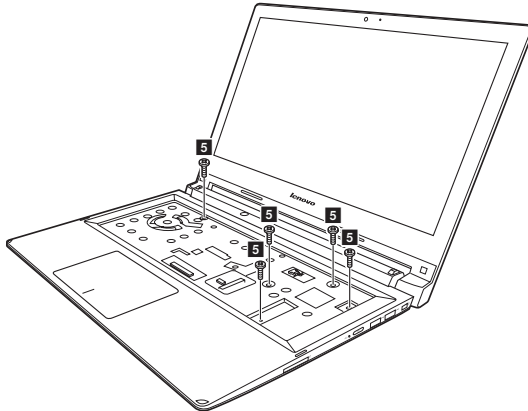
Figure 3. Removal steps of HDD/Memory/Mini PCI Express Card slot compartment cover (continued)

Flex 2-15/Flex 2-15D: Remove the screws **5** .



Step	Screw (quantity)	Color	Torque
2	M2 × 3.5 mm, flat-head, nylok-coated (4)	Black	1.85+/-0.15 kgfcm

Flex 2-14/Flex 2-14 D: Remove the screws **5** .



Step	Screw (quantity)	Color	Torque
2	M2 × 4 mm, flat-head, nylokcoated (5)	Silver	18~2.0 kgfcm

1040 Battery pack

For access, remove these FRUs in order:

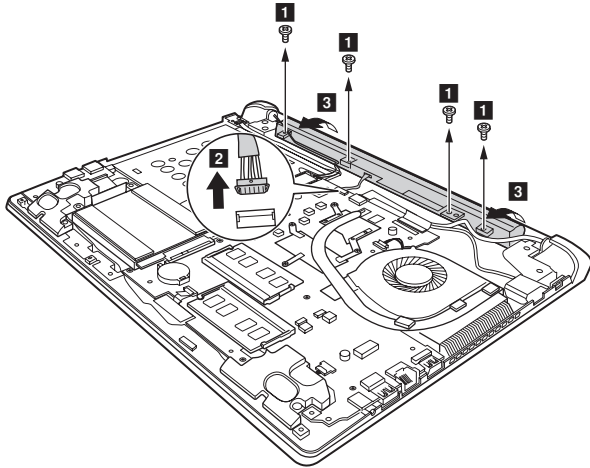
- “1010 Keyboard” on page 34
- “1020 Optical drive” on page 36
- “1030 Hard disk drive(HDD)/Memory/Mini PCI Express Card slot compartment cover” on page 37

⚠ DANGER

Only use the battery specified in the parts list for your computer. Any other battery could ignite or explode.

Figure 4. Removal steps of battery pack

Remove the screws **1**. Unplug connector in the direction shown by arrow **2**. Remove the battery pack in the direction shown by arrows **3**.



Step	Screw (quantity)	Color	Torque
1	M2 × 4 mm, flat-head, nylok-coated (4) (Flex 2-14/2-14D)	Silver	1.8~2.0 kgfcm
	M2 × 3.5 mm, flat-head, nylok-coated (4) (Flex 2-15/2-15D)	Black	1.85+/-0.15 kgfcm

1050 Hard disk drive

For access, remove these FRUs in order:

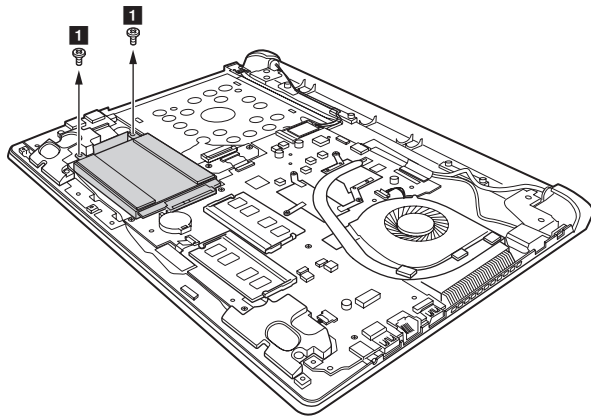
- “1010 Keyboard” on page 34
- “1020 Optical drive” on page 36
- “1030 Hard disk drive(HDD)/Memory/Mini PCI Express Card slot compartment cover” on page 37
- “1040 Battery pack” on page 39

Attention:

- **Do not drop the hard disk drive or apply any physical shock to it.**
The hard disk drive is sensitive to physical shock. Improper handling can cause damages and permanent loss of data.
- Before removing the drive, suggest the customer to backup all the information on it if possible.
- Never remove the drive while the system is operating or is in suspend mode.

Figure 5. Removal steps of hard disk drive

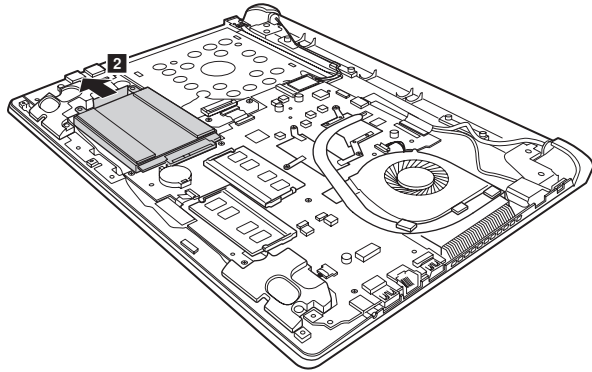
Remove the frame fixing screws **1**.



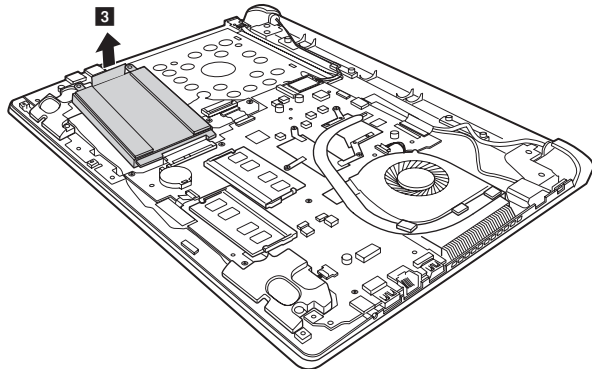
Step	Screw (quantity)	Color	Torque
1	M2 × 4 mm, flat-head, nylok-coated (2) (Flex 2-14/2-14D)	Silver	1.8~2.0 kgfcm
	M2 × 3.5 mm, flat-head, nylok-coated (2) (Flex 2-15/2-15D)	Black	1.85+/-0.15 kgfcm

Figure 5. Removal steps of hard disk drive (continued)

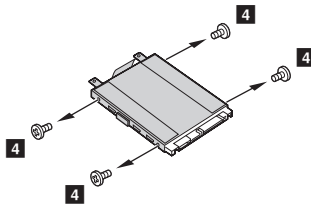
Pull the tab in the direction shown by arrow **2**.



Take out the hard disk drive secured in a metal frame in the direction shown by arrow **3**.



Remove the four screws **4** and detach the metal frame from the hard disk drive.



Step	Screw (quantity)	Color	Torque
4	M3.0 × 4 mm, flat-head, nylok-coated (4) (Flex 2-14/2-14D) M3.0 × 3.0 mm, flat-head, nylok-coated (4) (Flex 2-15/2-15D)	Silver Black	1.8~2.0 kgfcm 3.0+/-0.3 kgfcm

When installing: Make sure that the HDD connector is attached firmly.

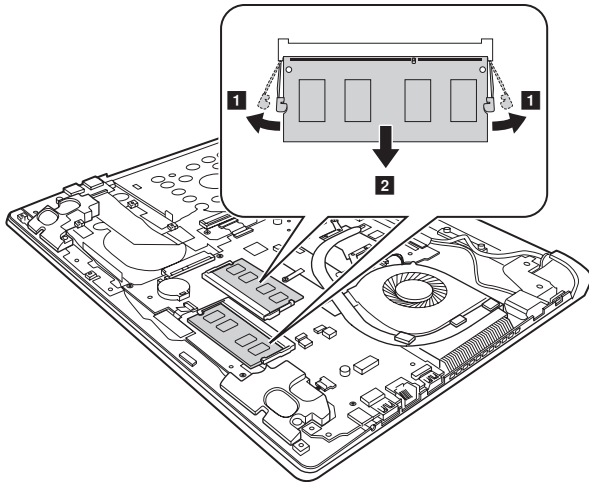
1060 DIMM

For access, remove these FRUs in order

- “1010 Keyboard” on page 34
- “1020 Optical drive” on page 36
- “1030 Hard disk drive(HDD)/Memory/Mini PCI Express Card slot compartment cover” on page 37
- “1040 Battery pack” on page 39

Figure 6. Removal steps of DIMM

Release the two latches on both edges of the socket at the same time in the direction shown by arrows **1**, and then unplug the DIMM in the direction shown by arrow **2**.



When installing: Insert the notched end of the DIMM into the socket. Push the DIMM firmly, and pivot it until it snaps into the place. Make sure that it is firmly fixed in the slot and difficult to be moved.

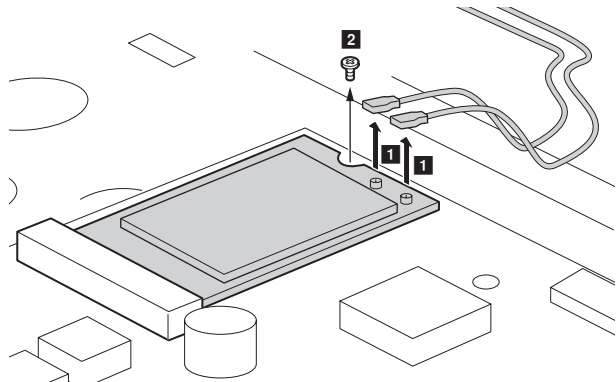
1070 PCI Express Mini Card for wireless LAN/WAN

For access, remove these FRUs in order

- “1010 Keyboard” on page 34
- “1020 Optical drive” on page 36
- “1030 Hard disk drive(HDD)/Memory/Mini PCI Express Card slot compartment cover” on page 37
- “1040 Battery pack” on page 39

Figure 7. Removal steps of PCI Express Mini Card for wireless LAN/WAN

Disconnect the two wireless LAN cables (black, white) **1**, and then remove the screw **2**.



In step **1**, unplug the jacks by using the removal tool antenna RF connector (P/N: 08K7159), or pick up the connectors with your fingers and gently unplug them in the direction shown by arrows.

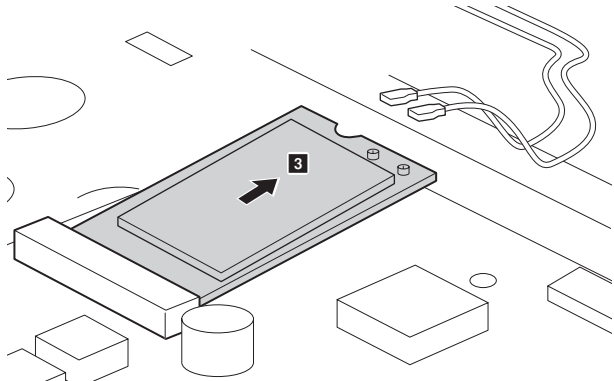
Notes: wireless LAN card has 2 cables in step **1**.

wireless LAN card in some models may have 3 cables in step **1**.

Step	Screw (quantity)	Color	Torque
2	M2 × 3.0 mm, flat-head, nylok-coated (1) (Flex 2-14/2-14D)	Black	1.5~1.8 kgfcm
	M2 × 3.5 mm, flat-head, nylok-coated (1) (Flex 2-15/2-15D)	Black	1.85+/-0.15 kgfcm

Figure 7. Removal steps of PCI Express Mini Card for wireless LAN/WAN (continued)

Remove the card in the direction shown by arrow **3**.



When installing:

- In models with a wireless LAN card that has two antenna connectors, plug the black cable (1st) (MAIN) into the jack labeled **1**, and the white cable (2nd) (AUX) into jack labeled **2** on the card.
- In models with a wireless LAN card that has three antenna connectors, plug the black cable (1st) (MAIN) into the jack labeled **1**, the grey cable (3rd) into jack labeled **3**, and the white cable (2nd) (AUX) into jack labeled **2** on the card.

1080 System board

Important notices for handling the system board:

When handling the system board, bear the following in mind.

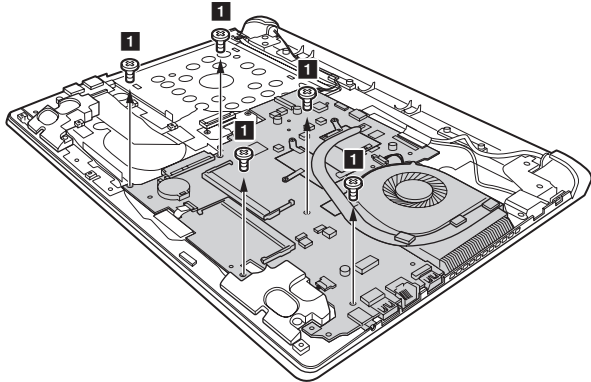
- Be careful not to drop the system board on a bench top that has a hard surface, such as metal, wood, or composite.
- Avoid rough handling of any kind.
- In the whole process, make sure not to drop or stack the system board.
- If you put a system board down, make sure to put it only on a padded surface such as an ESD mat or conductive corrugated material.

For access, remove these FRUs in order:

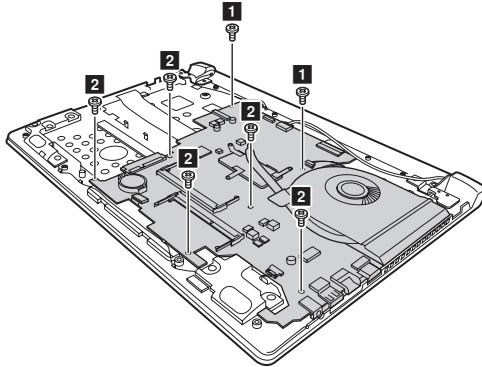
- “1010 Keyboard” on page 34
- “1020 Optical drive” on page 36
- “1030 Hard disk drive(HDD)/Memory/Mini PCI Express Card slot compartment cover” on page 37
- “1040 Battery pack” on page 39
- “1050 Hard disk drive” on page 40
- “1060 DIMM” on page 42
- “1070 PCI Express Mini Card for wireless LAN/WAN” on page 43

Figure 8. Removal steps of system board (continued)

Flex 2-15/Flex 2-15D: Remove five screws **1**.



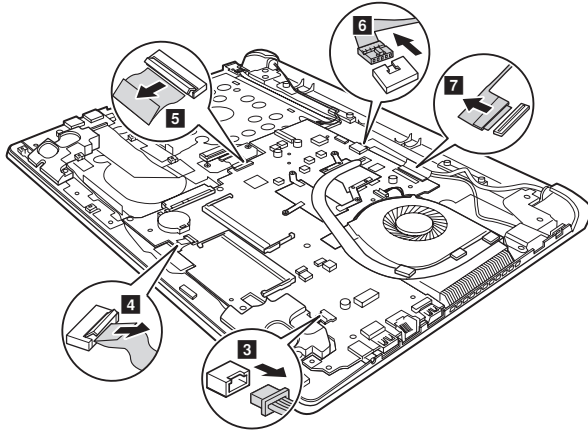
Flex 2-14/Flex 2-14 D: Remove the two screws **1** and five screws **2**.



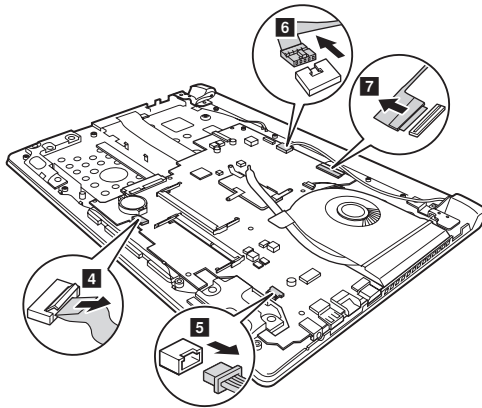
Step	Screw (quantity)	Color	Torque
1	M2 × 3 mm, flat-head, nylok-coated (2) (Flex 2-14/Flex 2-14D)	Black	1.5~1.8 kgfcm
	M2 × 4 mm, flat-head, nylok-coated (5) (Flex 2-14/Flex 2-14D)	Silver	1.8~2.0 kgfcm
	M2.0 × 3.5 mm, flat-head, nylok-coated (5) (Flex 2-15/Flex 2-15D)	Black	1.85+/-0.15 kgfcm

Figure 8. Removal steps of system board (continued)

Flex 2-15/Flex 2-15D: Unplug DC-IN cable connector in the direction shown by arrow **6**, speakers connector in the direction shown by arrow **3**, detach ODD transfer board connector in the direction shown by arrow **5**, touch pad connector in the direction shown by arrow **4**, disconnect LCD connector in the direction shown by arrow **7**.



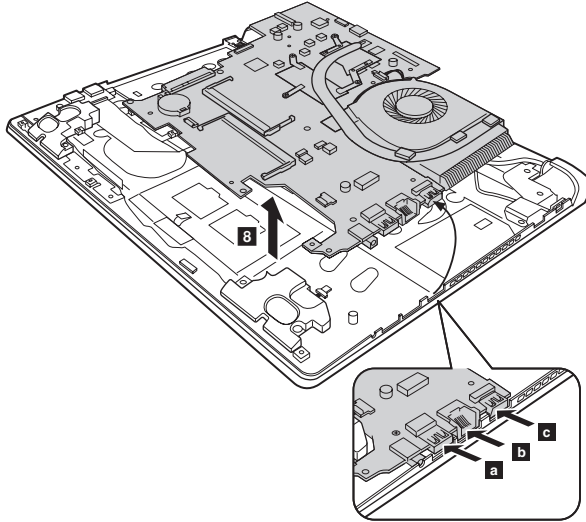
Flex 2-14 / Flex 2-14 D: Unplug DC-IN cable connector in the direction shown by arrow **6**, speakers connector in the direction shown by arrow **5**, detach touch pad connector in the direction shown by arrow **4**, disconnect LCD connector in the direction shown by arrow **7**.



When installing: Make sure that all the connectors are attached firmly.

Figure 8. Removal steps of system board (continued)

Remove the system board in the direction shown by arrow **8**.



When installing: When attaching the system board to the base cover, adjust the placement of the USB, RJ-45, HDMI ports as shown in **a** **b** **c**, and make sure that they are attached to the holes on the base cover as shown. Improper placement of those jacks might cause a damage.

1090 LCD unit

For access, remove these FRUs in order

- “1010 Keyboard” on page 34
- “1020 Optical drive” on page 36
- “1030 Hard disk drive(HDD)/Memory/Mini PCI Express Card slot compartment cover” on page 37
- “1040 Battery pack” on page 39
- “1050 Hard disk drive” on page 40
- “1060 DIMM” on page 42
- “1070 PCI Express Mini Card for wireless LAN/WAN” on page 43
- “1080 System board” on page 45

Figure 9. Removal steps of LCD unit

Flex 2-15/Flex 2-15D: Remove the four screws **1** and the screw **2**.

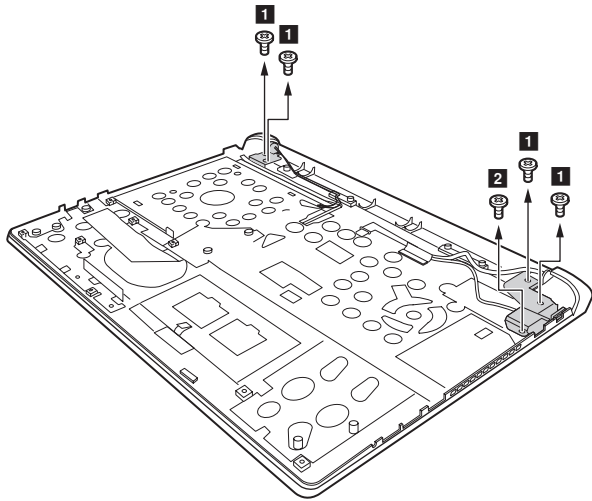
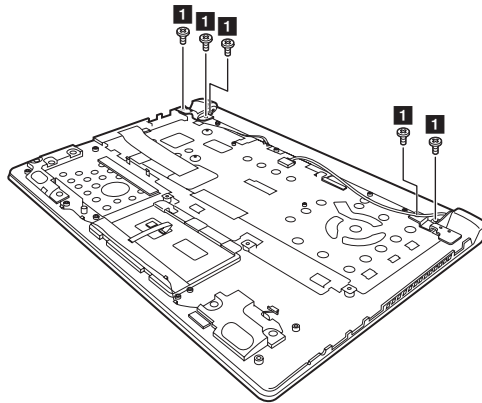


Figure 9. Removal steps of LCD unit (continued)

Flex 2-14/Flex 2-14 D: Remove the screws **1**.



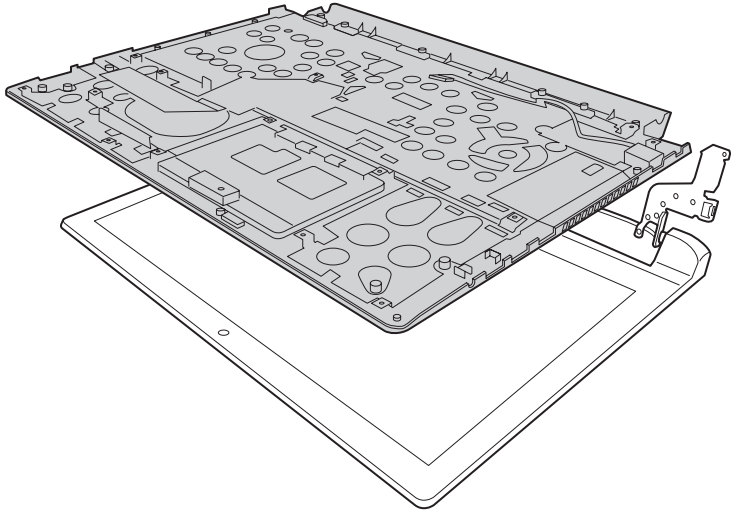
Step	Screw (quantity)	Color	Torque
1	M2.5 × 4 mm, flat-head, nylok-coated (5) (Flex 2-14/ Flex 2-14D)	Silver	18~2.0 kgfcm
	M2.5 × 4.5 mm, flat-head, nylok-coated (4) (Flex 2-15/ Flex 2-15D)	Silver	3.0+/-0.3 kgfcm
	M2.0 × 3.5 mm, flat-head, nylok-coated (1) (Flex 2-15/ Flex 2-15D)	Black	1.85+/-0.15 kgfcm

When installing:

- Route the antenna cables along the cable guides. As you route the cables, make sure that they are not subjected to any tension. Tension could cause the cables to be damaged by the cable guides, or a wire to be broken.
- Make sure that the LCD connector is attached firmly and make sure that you do not pinch the antenna cables when you attach the LCD assembly. Route the LCD cable along the cable guides.

Figure 9. Removal steps of LCD unit (continued)

Detach the LCD unit from the upper case.



1100 Speakers, base cover, IO board, DC-IN, power board and ODD transfer board

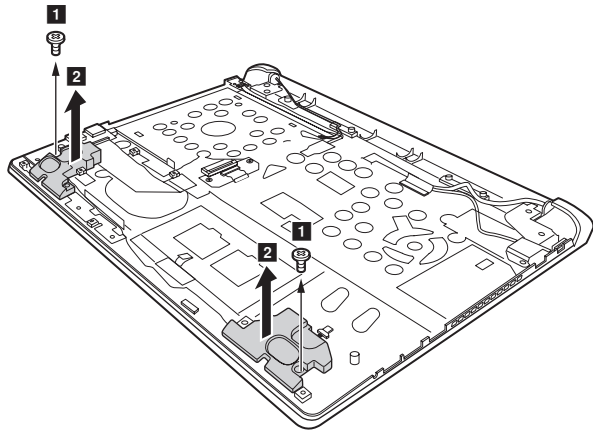
For access, remove these FRUs in order:

- “1010 Keyboard” on page 34
- “1020 Optical drive” on page 36
- “1030 Hard disk drive(HDD)/Memory/Mini PCI Express Card slot compartment cover” on page 37
- “1040 Battery pack” on page 39
- “1050 Hard disk drive” on page 40
- “1060 DIMM” on page 42
- “1070 PCI Express Mini Card for wireless LAN/WAN” on page 43
- “1080 System board” on page 45
- “1090 LCD unit” on page 49

Figure 10. Speakers, base cover, IO board, DC-IN, power board and ODD transfer board

Remove the screws **1**, and then remove the speakers in the direction shown by arrows **2**.

Flex 2-15/Flex 2-15 D:

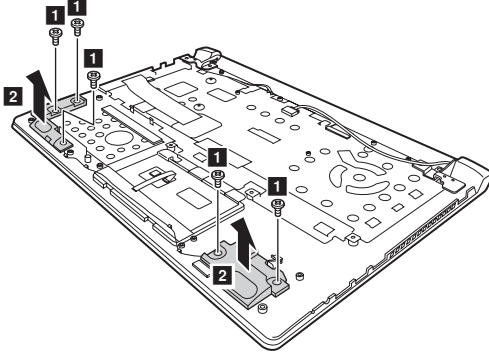


Step	Screw (quantity)	Color	Torque
1	M2 × 3.1 mm, flat-head, nylok-coated (2)	Black	1.85+/-0.15 kgfcm

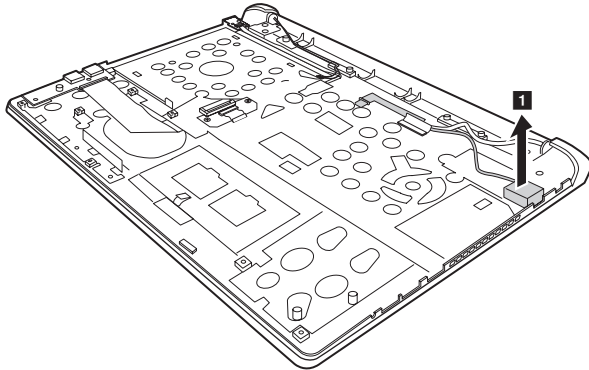
Lenovo Flex 2-14/Flex 2-14D/Flex 2-15/Flex 2-15D

Figure 10. Speakers, base cover, IO board, DC-IN, power board and ODD transfer board (continued)

Flex 2-14/Flex 2-14 D:



Remove the DC-IN in the direction shown by arrow **1**.



When installing: Make sure that the power connector is attached firmly.

Figure 10. Speakers, base cover, IO board, DC-IN, power board and ODD transfer board (continued)

Flex 2-15/Flex 2-15 D: Remove the screws **1**. Pull the IO board connector slot cover upward as shown by arrow **2**, detach the IO board cable from the keyboard connector in the direction shown by arrow **3**. Remove the IO board in the direction shown by arrow **4**.

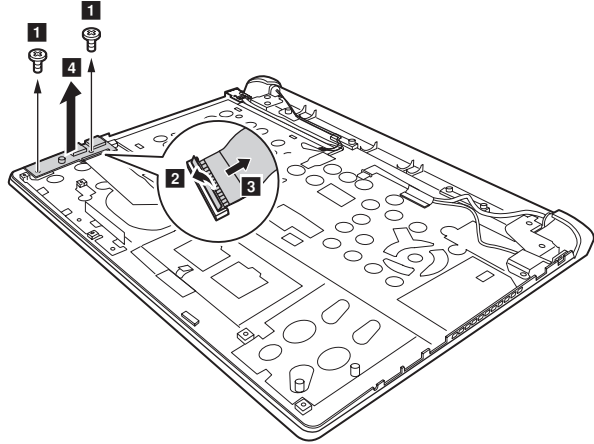
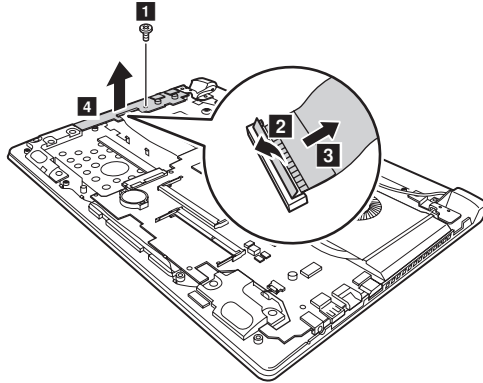


Figure 10. Speakers, base cover, IO board, DC-IN, power board and ODD transfer board (continued)

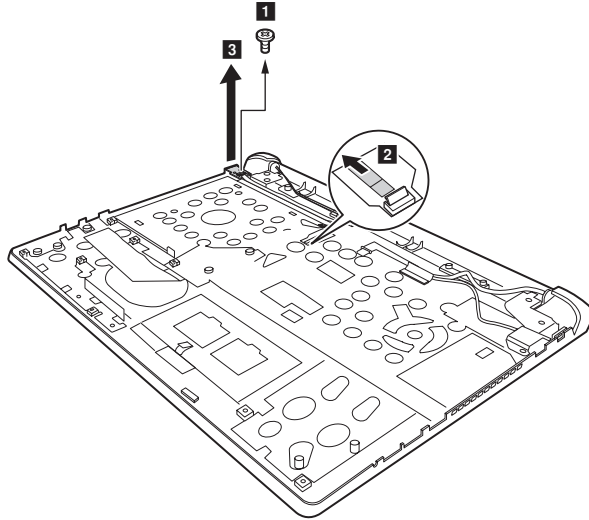
Flex 2-14/Flex 2-14 D: Remove the screw **1**. Pull the IO board connector slot cover upward as shown by arrow **2**, detach the IO board cable from the keyboard connector in the direction shown by arrow **3**. Remove the IO board in the direction shown by arrow **4**.



Step	Screw (quantity)	Color	Torque
1	M2 × 4 mm, flat-head, nylok-coated (1) (Flex 2-14/Flex 2-14D) M2.0 × 3.5 mm, flat-head, nylok-coated (2) (Flex 2-15/Flex 2-15D)	Silver Black	18~2.0 kgfcm 1.85+/-0.15 kgfcm

Figure 10. Speakers, base cover, IO board, DC-IN, power board and ODD transfer board (continued)

Remove the screw **1**, detach the connector **2** to lift the power board in the direction shown by arrow **3**.

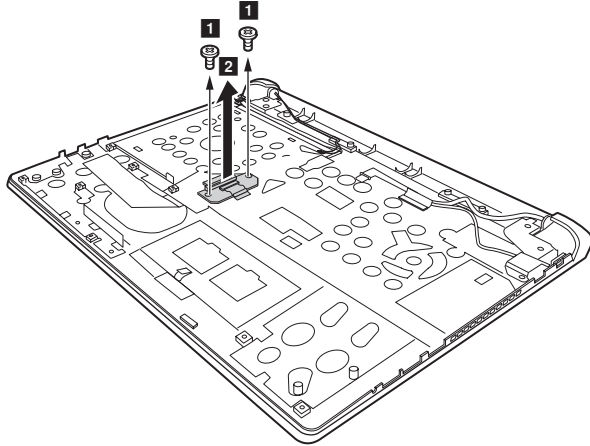


Step	Screw (quantity)	Color	Torque
1	M2.0 × 3.5 mm, flat-head, nylok-coated (1) (Flex 2-15/Flex 2-15D)	Black	1.85+/-0.15 kgfcm

Lenovo Flex 2-14/Flex 2-14D/Flex 2-15/Flex 2-15D

Figure 10. Speakers, base cover, IO board, DC-IN, power board and ODD transfer board (continued)

Remove the screws **1** to lift the ODD transfer board in the direction shown by arrow **2**.



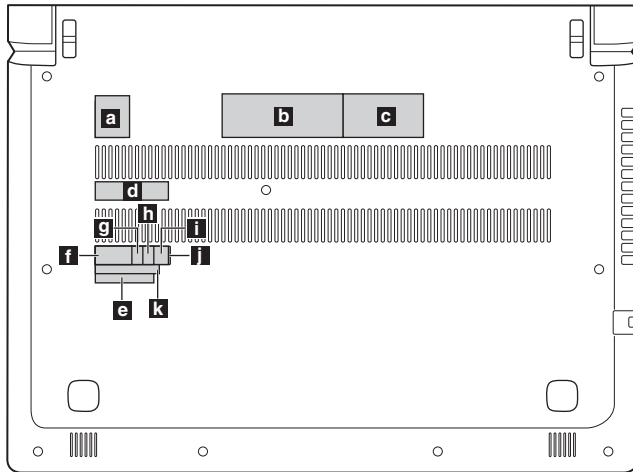
Step	Screw (quantity)	Color	Torque
1	M2.0 × 3.5 mm, flat-head, nylok-coated (2) (Flex 2-15/Flex 2-15D)	Black	1.85+/-0.15 kgfcm

Applying labels to the base cover

The new base cover FRU is shipped with a kit containing labels of several kinds. Apply those labels when you replace the base cover. For labels which are not shipped with the new base cover, peel them from the replaced base cover and adhere them to the new one.

Note: If the Certificate of Authenticity (COA) label (b) is attached to a replaced part, return the replaced part to the customer, or provide a letter to the customer stating the original label part number, serial number, and product key.

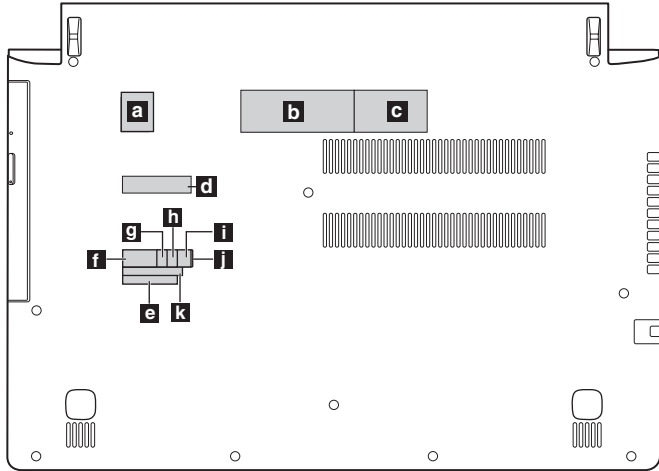
Flex 2-14/Flex 2-14 D:



The following letter shows the correct location of each label. Not all labels are attached on the part you are servicing.

- a** GML label
- b** Rating label-1
- c** Rating label-2
- d** Barcode label
- e** WLAN Label for US/CA/TW
- f** WLAN Label for South Africa
- g** D Side label for Indonesia
- h** BT Label for US/CA/TW or WLAN/BT Label for Isarel
- i** KCC Label for Korea or BIS Label for India
- j** Postal Label for Indonesia
- k** WL/BT Label for Brazil

Flex 2-15/Flex 2-15 D:



The following letter shows the correct location of each label. Not all labels are attached on the part you are servicing.

- a** GML label
- b** Rating label-1
- c** Rating label-2
- d** Barcode label
- e** WLAN Label for US/CA/TW
- f** WLAN Label for South Africa
- g** D Side label for Indonesia
- h** BT Label for US/CA/TW or WLAN/BT Label for Isarel
- i** KCC Label for Korea or BIS Label for India
- j** Postal Label for Indonesia
- k** WL/BT Label for Brazil

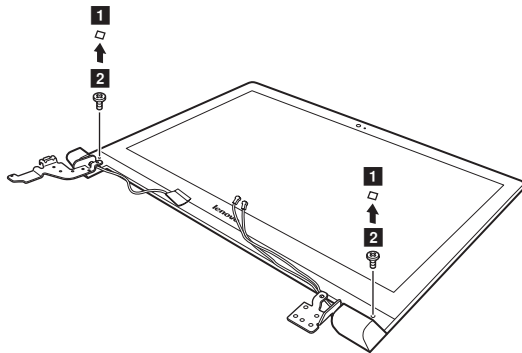
1110 LCD front bezel

For access, remove these FRUs in order:

- “1010 Keyboard” on page 34
- “1020 Optical drive” on page 36
- “1030 Hard disk drive(HDD)/Memory/Mini PCI Express Card slot compartment cover” on page 37
- “1040 Battery pack” on page 39
- “1050 Hard disk drive” on page 40
- “1060 DIMM” on page 42
- “1070 PCI Express Mini Card for wireless LAN/WAN” on page 43
- “1080 System board” on page 45
- “1090 LCD unit” on page 49
- “1100 Speakers, base cover, IO board, DC-IN, power board and ODD transfer board” on page 52

Figure 11. Removal steps of LCD front bezel

Remove LCD bezel screw pad **1** and the screws **2**.

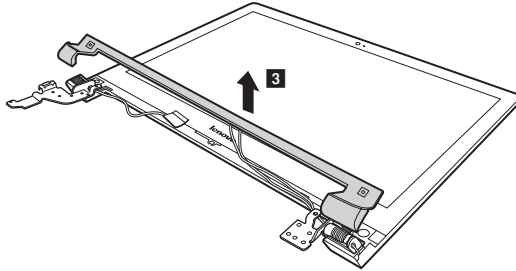


Step	Screw (quantity)	Color	Torque
2	M2.5 X 4.0, flat-head, nylok-coated (2) (Flex 2-14/Flex 2-14D)	Silver	18~2.0 kgfcm
	M2.5 X 4.5, flat-head, nylokcoated (2) (Flex 2-15/Flex 2-15D)	Silver	3.0+/-0.3 kgfcm

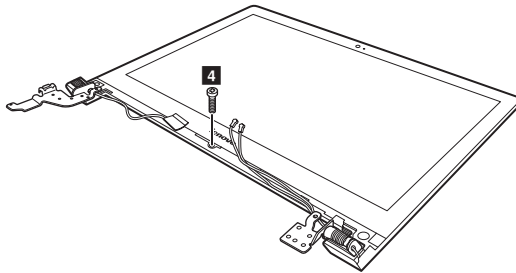
Lenovo Flex 2-14/Flex 2-14D/Flex 2-15/Flex 2-15D

Figure 11. Removal steps of LCD front bezel (continued)

Remove the LCD bezel cover in the direction shown by arrow **3**.



Remove the screw **4**, and then remove the LCD front bezel.



Step	Screw (quantity)	Color	Torque
4	M2.5 X 4.0, flat-head,nylok-coated (1) (Flex 2-14/Flex 2-14D)	Silver	18~2.0 kgfcm
	M2.0 X 3.5, flat-head,nylok-coated (1) (Flex 2-15/Flex 2-15D)	Black	1.85+/-0.15 kgfcm

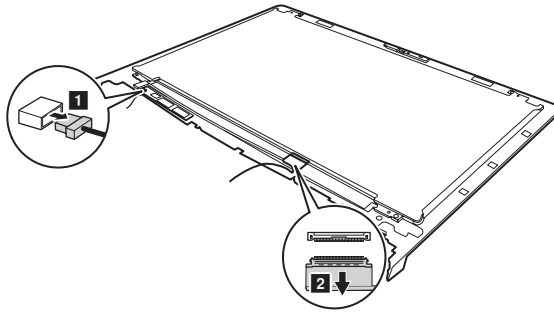
1120 LCD panel, LCD cable and hinges

For access, remove these FRUs in order:

- “1010 Keyboard” on page 34
- “1020 Optical drive” on page 36
- “1030 Hard disk drive(HDD)/Memory/Mini PCI Express Card slot compartment cover” on page 37
- “1040 Battery pack” on page 39
- “1050 Hard disk drive” on page 40
- “1060 DIMM” on page 42
- “1070 PCI Express Mini Card for wireless LAN/WAN” on page 43
- “1080 System board” on page 45
- “1090 LCD unit” on page 49
- “1100 Speakers, base cover, IO board, DC-IN, power board and ODD transfer board” on page 52
- “1110 LCD front bezel” on page 60

Figure 12. LCD panel, LCD cable and hinges

Unplug connector in the direction shown by arrow **1**, disconnect connector in the direction shown by arrow **2** to lift the LCD panel.

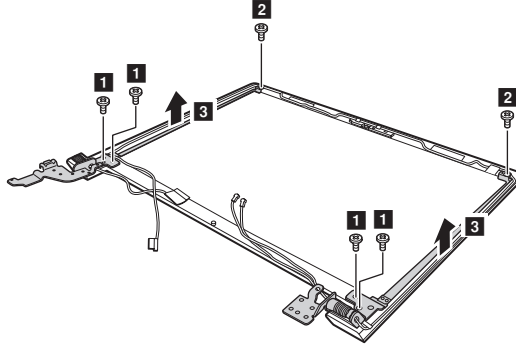


When installing: Make sure that the connectors are attached firmly.

Figure 12. LCD panel, LCD cable and hinges (continued)

Remove the four screws **1**, two screws **2** and the hinges in the direction shown by arrows **3**.

Flex 2-14/Flex 2-14D:



Step	Screw (quantity)	Color	Torque
1	M2.0 × 2 mm , flat-head, nylok-coated (2) (Flex 2-14/Flex 2-14D)	Black	18~2.0 kgfcm
	M2.5 × 2.5 mm , flat-head, nylok-coated (4) (Flex 2-14/Flex 2-14D)	Silver	18~2.0 kgfcm
	M2.5 × 2.5 mm , flat-head, nylok-coated (6) (Flex 2-15/Flex 2-15D)	Silver	3.0 +/-0.3 kgfcm

1130 Integrated camera

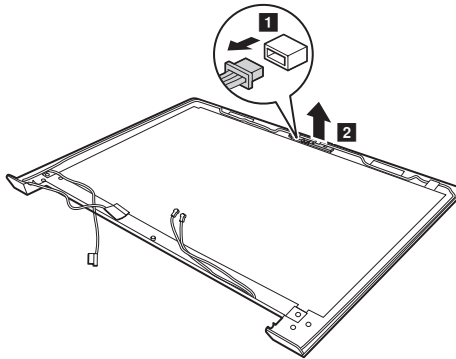
For access, remove these FRUs in order:

- “1010 Keyboard” on page 34
- “1020 Optical drive” on page 36
- “1030 Hard disk drive(HDD)/Memory/Mini PCI Express Card slot compartment cover” on page 37
- “1040 Battery pack” on page 39
- “1050 Hard disk drive” on page 40
- “1060 DIMM” on page 42
- “1070 PCI Express Mini Card for wireless LAN/WAN” on page 43
- “1080 System board” on page 45
- “1090 LCD unit” on page 49
- “1100 Speakers, base cover, IO board, DC-IN, power board and ODD transfer board” on page 52
- “1110 LCD front bezel” on page 60
- “1120 LCD panel, LCD cable and hinges” on page 62

Figure 13. Removal steps of integrated camera

Note: The integrated camera is stuck on the top center of the LCD cover.

Unplug the connector in the direction shown by arrow **1**, remove the integrated camera from the LCD cover in the direction shown by arrow **2**.



When installing: Stick the integrated camera to the top center of the LCD cover and adjust the placement of it to make sure the connector is attached firmly.

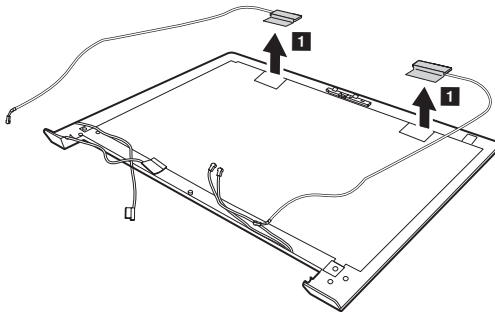
1140 Antenna assembly and LCD cover

For access, remove these FRUs in order:

- “1010 Keyboard” on page 34
- “1020 Optical drive” on page 36
- “1030 Hard disk drive(HDD)/Memory/Mini PCI Express Card slot compartment cover” on page 37
- “1040 Battery pack” on page 39
- “1050 Hard disk drive” on page 40
- “1060 DIMM” on page 42
- “1070 PCI Express Mini Card for wireless LAN/WAN” on page 43
- “1080 System board” on page 45
- “1090 LCD unit” on page 49
- “1100 Speakers, base cover, IO board, DC-IN, power board and ODD transfer board” on page 52
- “1110 LCD front bezel” on page 60
- “1120 LCD panel, LCD cable and hinges” on page 62
- “1130 Integrated camera” on page 64

Figure 14. Removal steps of antenna assembly and LCD cover

Peel off the adhesive tapes securing the antenna boards, release the cables from the cable guide, and then remove the antenna assembly in the direction shown by arrows **1**.



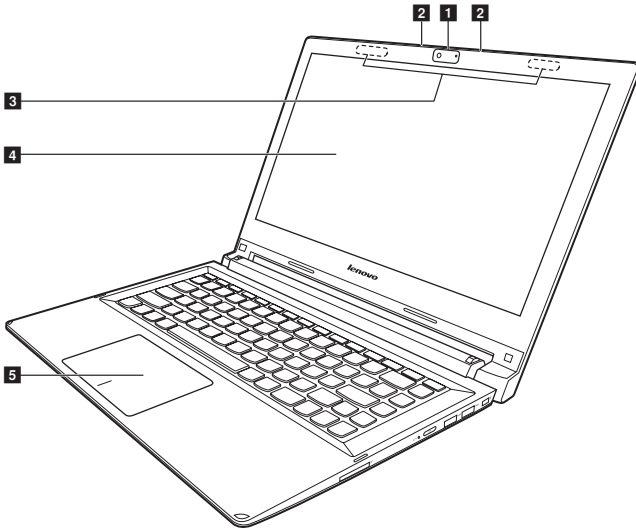
When installing: Route the antenna cables along the cable guides and secure the antenna boards with adhesive tapes. As you route the cables, make sure that they are not subjected to any tension. Tension could cause the cables to be damaged by the cable guides, or a wire to be broken.

Locations

Front view

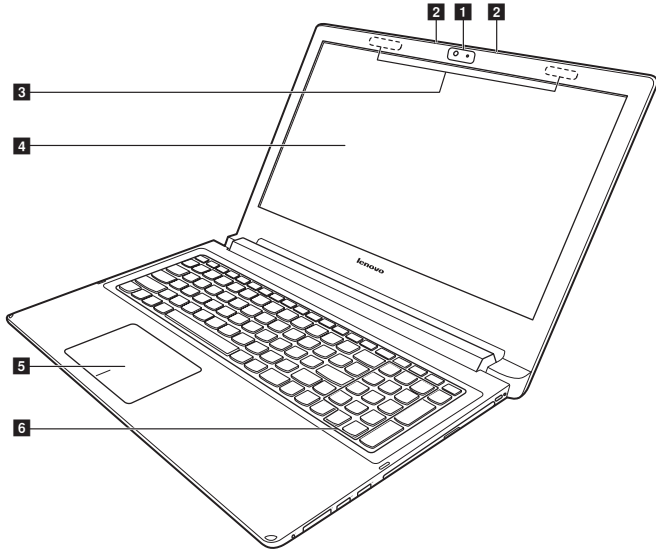
- 1** Integrated camera
- 2** Built-in microphone
- 3** Wireless antennas
- 4** Display
- 5** Touch pad
- 6** Numeric keypad (Flex 2-15/Flex 2-15D)

Flex 2-14/Flex 2-14D:



Lenovo Flex 2-14/Flex 2-14D/Flex 2-15/Flex 2-15D

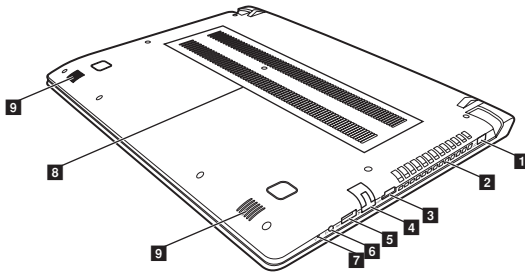
Flex 2-15/Flex 2-15D:



Bottom and Left-side view

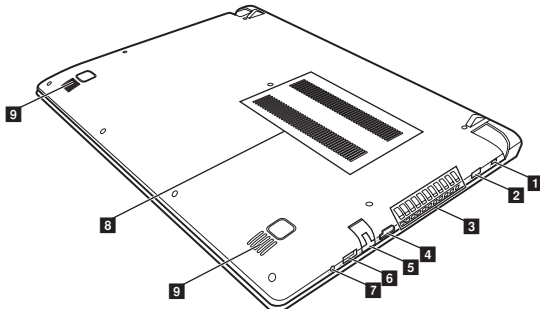
Flex 2-14/Flex 2-14D

- 1** AC power adapter jack
- 2** Ventilation slots
- 3** HDMI port
- 4** RJ-45 port
- 5** USB 3.0 port
- 6** Combo audio jack
- 7** Novo button
- 8** Ventilation slots
- 9** Speakers



Flex 2-15/Flex 2-15D

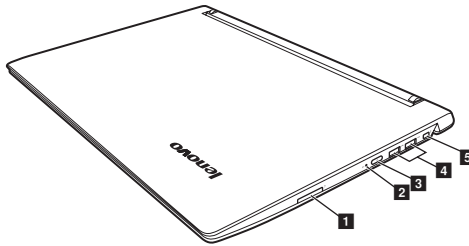
- 1** Kensington slot
- 2** AC power adapter jack
- 3** Ventilation slots
- 4** HDMI port
- 5** RJ-45 port
- 6** USB 3.0 port
- 7** Combo audio jack
- 8** Ventilation slots
- 9** Speakers



Right-side view

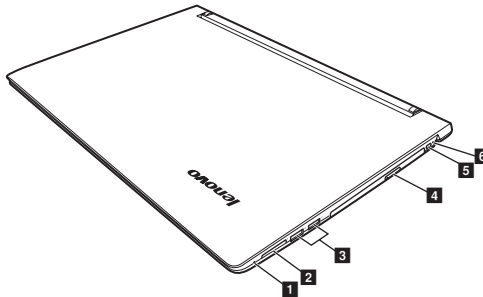
Flex 2-14/Flex 2-14D:

- 1 Memory card slot
- 2 Battery status indicator
- 3 Power button
- 4 USB ports
- 5 Kensington slot



Flex 2-15/Flex 2-15D:

- 1 Novo button
- 2 Memory card slot
- 3 USB ports
- 4 Optical disc drive
- 5 Power button
- 6 Battery status indicator



Parts list

This section presents the following service parts:

- “Overall” on page 71
- “LCD FRUs” on page 81
- “Keyboard” on page 84
- “Miscellaneous parts” on page 95
- “AC adapters” on page 96
- “Power cords” on page 97

Notes:

- Each FRU is available for all types or models, unless specific types or models are specified.

Overall

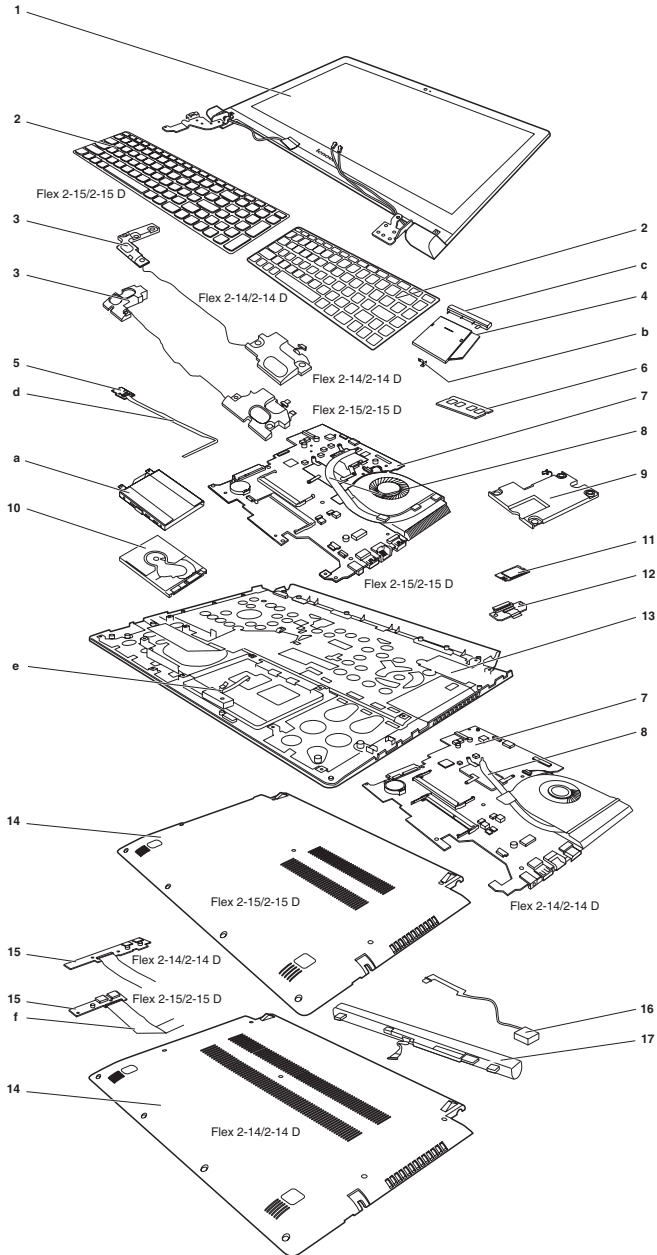


Table 4. Parts list—Overall

No.	FRU	FRU no.	CRU ID
1	LCD unit (see “LCD FRUs” on page 73.)		N
2	Keyboard (see “Keyboard” on page 75.)		**
3	SPEAKERINT Speaker W Flex2-14 (Flex 2-14/Flex 2-14D)	55B0F76730	N
3	SPEAKERINT Speaker W Flex2-15 (Flex 2-15/Flex 2-15D)	55B0F76735	N
4	ODD 9.0 Rambo HLDS GUA0N 9.0 Rambo ODD (Flex 2-15/Flex 2-15D)	25215010	**
4	ODD 9.0 Rambo PLDS DA-8A55H 9.0 Rambo ODD (Flex 2-15/Flex 2-15D)	25213110	**
4	ODD 9.0 Rambo QSI UJ8FBS 9.0 Rambo ODD (Flex 2-15/Flex 2-15D)	25215312	**
4	ODD 9.0 Rambo TSST SU-228FB 9.0 Rambo ODD (Flex 2-15/Flex 2-15D)	25215832	**
4	MECHANICAL ODD Dummy W Flex2-15 Black (Flex 2-15/Flex 2-15D)	5M20F76755	**
4	MECHANICAL ODD Dummy W Flex2-15 Red (Flex 2-15)	5M20F76750	**
5	CARDPOP Power Board W Flex2-15 (Flex 2-15/Flex 2-15D)	5C50F76769	N
5	CARDPOP Power Board W Flex2-15D (Flex2-15D)	5C50F78739	
6	DDR3L 1600 2GB SS M471B5674QH0-YK0 2G DDR3L 1600	11202451	
6	DDR3L 1600 2GB Hyn HMT425S6AFR6A-PB DDR3L 1600 2GB	11201299	N
6	DDR3L 1600 2GB RMT3170MK58F8F-1600 2GB DDR3L 1600 (MC)	11202301	N
6	DDR3L 1600 2GB MT4KTF25664HZ-1G6E1 2GB DDR3L 1600	11201967	N
6	DDR3L 1600 4GB Hyn HMT451S6AFR8A-PB DDR3L 1600 4GB	11201300	N
6	DDR3L 1600 4GB M471B5173DB0-YK0 25nm 4GB DDR3L 1600	11202081	N
6	DDR3L 1600 4GB SK HMT451S6BFR8A-PB/RD 4GB DDR3L 1600	11202706	N
6	DDR3L 1600 4GB RMT3170ME68F9F-1600 4GB DDR3L 1600(MC)	11202302	N
6	DDR3L 1600 4GB MC MT8KTF51264HZ-1G6E1 4GB DDR3L 160	11202125	N
6	DDR3L 1600 8GB Hyn HMT41GS6AFR8A-PB DDR3L 1600 8GB	11201301	N
6	DDR3L 1600 8GB M471B1G73DB0-YK0 25nm 8GB DDR3L 1600	11202082	N
6	DDR3L 1600 8GB SK HMT41GS6BFR8A-PB/RD 8GB DDR3L 1600	11202707	N
6	DDR3L 1600 8GB RMT3160ME68FAF-1600 8GB DDR3L 1600	11202450	N
6	DDR3L 1600 8GB Mic MT16KTF1G64HZ-1G6E1 DDR3L 1600 8GB	11201304	N

Lenovo Flex 2-14/Flex 2-14D/Flex 2-15/Flex 2-15D

Table 4. Parts list—Overall (continued)

No.	FRU	FRU no.	CRU ID
7	BDPLANAR W Flex2-14 2990U UMA (Flex 2-14)	5B20F76758	N
7	BDPLANAR W Flex2-14 W8P 2990U UMA (Flex 2-14)	5B20F76761	N
7	BDPLANAR W Flex2-14 W8S 2990U UMA (Flex 2-14)	5B20F76762	N
7	BDPLANAR W Flex2-14 3558 UMA (Flex 2-14)	5B20F84329	N
7	BDPLANAR W Flex2-14 4010 DIS N15V 2G (Flex 2-14)	5B20F84358	N
7	BDPLANAR W Flex2-14 4010 DIS N15S 2G (Flex 2-14)	5B20F84331	N
7	BDPLANAR W Flex2-14 4200 DIS N15S 2G (Flex 2-14)	5B20F84335	N
7	BDPLANAR W Flex2-14 4010 DIS N15S 4G (Flex 2-14)	5B20F84339	N
7	BDPLANAR W Flex2-14 4200 DIS N15S 4G (Flex 2-14)	5B20F84342	N
7	BDPLANAR W Flex2-14 W8P 3558 UMA (Flex 2-14)	5B20F84348	N
7	BDPLANAR W Flex2-14 W8S 3558 UMA (Flex 2-14)	5B20F84352	N
7	BDPLANAR W Flex2-14 W8P 4010 DIS N15V 2G (Flex 2-14)	5B20F84356	N
7	BDPLANAR W Flex2-14 W8S 4010 DIS N15V 2G (Flex 2-14)	5B20F84328	N
7	BDPLANAR W Flex2-14 W8P 4010 DIS N15S 2G (Flex 2-14)	5B20F84334	N
7	BDPLANAR W Flex2-14 W8S 4010 DIS N15S 2G (Flex 2-14)	5B20F84340	N
7	BDPLANAR W Flex2-14 W8P 4200 DIS N15S 2G (Flex 2-14)	5B20F84345	N
7	BDPLANAR W Flex2-14 W8S 4200 DIS N15S 2G (Flex 2-14)	5B20F84357	N
7	BDPLANAR W Flex2-14 W8P 4010 DIS N15S 4G (Flex 2-14)	5B20F84330	N
7	BDPLANAR W Flex2-14 W8S 4010 DIS N15S 4G (Flex 2-14)	5B20F84346	N
7	BDPLANAR W Flex2-14 W8P 4200 DIS N15S 4G (Flex 2-14)	5B20F84351	N
7	BDPLANAR W Flex2-14 W8S 4200 DIS N15S 4G (Flex 2-14)	5B20F84354	N
7	BDPLANAR W Flex2-14 4010 UMA (Flex 2-14)	5B20F85984	N
7	BDPLANAR W Flex2-14 W8P 4010 UMA (Flex 2-14)	5B20F85979	N
7	BDPLANAR W Flex2-14 W8S 4010 UMA (Flex 2-14)	5B20F85980	N
7	BDPLANAR W Flex2-14 4200 DIS N15V 2G (Flex 2-14)	5B20F85981	N
7	BDPLANAR W Flex2-14 W8P 4200 DIS N15V 2G (Flex 2-14)	5B20F85982	N
7	BDPLANAR W Flex2-14 W8S 4200 DIS N15V 2G (Flex 2-14)	5B20F85968	N
7	BDPLANAR W Flex2-14 4010 UMA (Flex 2-14)	5B20F86147	N
7	BDPLANAR W Flex2-14 W8P 4010 UMA (Flex 2-14)	5B20F86138	N
7	BDPLANAR W Flex2-14 W8S 4010 UMA (Flex 2-14)	5B20F86136	N
7	BDPLANAR W Flex2-14 4200 DIS N15V 2G (Flex 2-14)	5B20F86135	N
7	BDPLANAR W Flex2-14 W8P 4200 DIS N15V 2G (Flex 2-14)	5B20F86139	N

Table 4. Parts list—Overall (continued)

No.	FRU	FRU no.	CRU ID
7	BDPLANAR W Flex2-14 W8S 4200 DIS N15V 2G (Flex 2-14)	5B20F86146	N
7	DBPLANNER W Flex2-14 4200 UMA (Flex 2-14)	5B20G18398	N
7	DBPLANNER W Flex2-14 W8P 4200 UMA (Flex 2-14)	5B20G18384	N
7	DBPLANNER W Flex2-14 W8S 4200 UMA (Flex 2-14)	5B20G18393	N
7	DBPLANNER W Flex2-14 4010 DIS N15V 2G (Flex 2-14)	5B20G18387	N
7	DBPLANNER W Flex2-14 W8P 4010 DIS N15V 2G (Flex 2-14)	5B20G18383	N
7	DBPLANNER W Flex2-14 W8S 4010 DIS N15V 2G (Flex 2-14)	5B20G18388	N
7	DBPLANNER W Flex2-14 3558 DIS N15V 2G (Flex 2-14)	5B20G18381	N
7	DBPLANNER W Flex2-14 W8P 3558 DIS N15V 2G (Flex 2-14)	5B20G18385	N
7	DBPLANNER W Flex2-14 W8S 3558 DIS N15V 2G (Flex 2-14)	5B20G18386	N
7	DBPLANNER W Flex2-14 3558 DIS N15V 2G (Flex 2-14)	5B20G18389	N
7	DBPLANNER W Flex2-14 W8P 3558 DIS N15V 2G (Flex 2-14)	5B20G18396	N
7	DBPLANNER W Flex2-14 W8S 3558 DIS N15V 2G (Flex 2-14)	5B20G18394	N
7	BDPLANAR W Flex2-15 3558U UMA (Flex 2-15)	5B20F76798	N
7	BDPLANAR W Flex2-15 W8P 3558U UMA (Flex 2-15)	5B20F76729	N
7	BDPLANAR W Flex2-15 W8S 3558U UMA (Flex 2-15)	5B20F76737	N
7	BDPLANAR W Flex2-15 3558 DIS N15V 2G (Flex 2-15)	5B20F84327	N
7	BDPLANAR W Flex2-15 4010 DIS N15S 2G (Flex 2-15)	5B20F84332	N
7	BDPLANAR W Flex2-15 4200 DIS N15S 2G (Flex 2-15)	5B20F84337	N
7	BDPLANAR W Flex2-15 4010 DIS N15S 4G (Flex 2-15)	5B20F84341	N
7	BDPLANAR W Flex2-15 4200 DIS N15S 4G (Flex 2-15)	5B20F84347	N
7	BDPLANAR W Flex2-15 W8P 3558 DIS N15V 2G (Flex 2-15)	5B20F84350	N
7	BDPLANAR W Flex2-15 W8S 3558 DIS N15V 2G (Flex 2-15)	5B20F84355	N
7	BDPLANAR W Flex2-15 W8P 4010 DIS N15S 2G (Flex 2-15)	5B20F84338	N
7	BDPLANAR W Flex2-15 W8S 4010 DIS N15S 2G (Flex 2-15)	5B20F84343	N
7	BDPLANAR W Flex2-15 W8P 4200 DIS N15S 2G (Flex 2-15)	5B20F84349	N
7	BDPLANAR W Flex2-15 W8S 4200 DIS N15S 2G (Flex 2-15)	5B20F84353	N
7	BDPLANAR W Flex2-15 W8P 4010 DIS N15S 4G (Flex 2-15)	5B20F84359	N
7	BDPLANAR W Flex2-15 W8S 4010 DIS N15S 4G (Flex 2-15)	5B20F84333	N
7	BDPLANAR W Flex2-15 W8P 4200 DIS N15S 4G (Flex 2-15)	5B20F84336	N

Lenovo Flex 2-14/Flex 2-14D/Flex 2-15/Flex 2-15D

Table 4. Parts list—Overall (continued)

No.	FRU	FRU no.	CRU ID
7	BDPLANAR W Flex2-15 W8S 4200 DIS N15S 4G (Flex 2-15)	5B20F84344	N
7	BDPLANAR W Flex2-15 4010 UMA (Flex 2-15)	5B20F85970	N
7	BDPLANAR W Flex2-15 W8P 4010 UMA (Flex 2-15)	5B20F85971	N
7	BDPLANAR W Flex2-15 W8S 4010 UMA (Flex 2-15)	5B20F85972	N
7	BDPLANAR W Flex2-15 4200 UMA (Flex 2-15)	5B20F85973	N
7	BDPLANAR W Flex2-15 W8P 4200 UMA (Flex 2-15)	5B20F85974	N
7	BDPLANAR W Flex2-15 W8S 4200 UMA (Flex 2-15)	5B20F85975	N
7	BDPLANAR W Flex2-15 4010 DIS N15V 2G (Flex 2-15)	5B20F85977	N
7	BDPLANAR W Flex2-15 W8P 4010 DIS N15V 2G (Flex 2-15)	5B20F85983	N
7	BDPLANAR W Flex2-15 W8S 4010 DIS N15V 2G (Flex 2-15)	5B20F85985	N
7	BDPLANAR W Flex2-15 4200 DIS N15V 2G (Flex 2-15)	5B20F85969	N
7	BDPLANAR W Flex2-15 W8P 4200 DIS N15V 2G (Flex 2-15)	5B20F85976	N
7	BDPLANAR W Flex2-15 W8S 4200 DIS N15V 2G (Flex 2-15)	5B20F85978	N
7	BDPLANAR W Flex2-15 4200 UMA (Flex 2-15)	5B20F86145	N
7	BDPLANAR W Flex2-15 W8P 4200 UMA (Flex 2-15)	5B20F86142	N
7	BDPLANAR W Flex2-15 W8S 4200 UMA (Flex 2-15)	5B20F86140	N
7	BDPLANAR W Flex2-15 4010 DIS N15V 2G (Flex 2-15)	5B20F86141	N
7	BDPLANAR W Flex2-15 W8P 4010 DIS N15V 2G (Flex 2-15)	5B20F86144	N
7	BDPLANAR W Flex2-15 W8S 4010 DIS N15V 2G (Flex 2-15)	5B20F86148	N
7	BDPLANAR W Flex2-15 4200 DIS N15V 2G (Flex 2-15)	5B20F86134	N
7	BDPLANAR W Flex2-15 W8P 4200 DIS N15V 2G (Flex 2-15)	5B20F86137	N
7	BDPLANAR W Flex2-15 W8S 4200 DIS N15V 2G (Flex 2-15)	5B20F86143	N
7	DBPLANNER W Flex2-15 4010 UMA (Flex 2-15)	5B20G18395	N
7	DBPLANNER W Flex2-15 W8P 4010 UMA (Flex 2-15)	5B20G18382	N
7	DBPLANNER W Flex2-15 W8S 4010 UMA (Flex 2-15)	5B20G18392	N
7	DBPLANNER W Flex2-15 3558 DIS N15V 2G (Flex 2-15)	5B20G18391	N
7	DBPLANNER W Flex2-15 W8P 3558 DIS N15V 2G (Flex 2-15)	5B20G18390	N
7	DBPLANNER W Flex2-15 W8S 3558 DIS N15V 2G (Flex 2-15)	5B20G18397	N
7	BDPLANAR W Flex2-14D A6-6400 UMA (Flex 2-14D)	5B20F78748	N
7	BDPLANAR W Flex2-14D W8P A6-6400 UMA (Flex 2-14D)	5B20F78752	N
7	BDPLANAR W Flex2-14D W8S A6-6400 UMA (Flex 2-14D)	5B20F78740	N
7	BDPLANAR W Flex2-14D E1-6010 UMA (Flex 2-14D)	5B20G00843	N

Table 4. Parts list—Overall (continued)

No.	FRU	FRU no.	CRU ID
7	BDPLANAR W Flex2-14D W8P E1-6010 UMA (Flex 2-14D)	5B20G00839	N
7	BDPLANAR W Flex2-14D W8S E1-6010 UMA (Flex 2-14D)	5B20G00845	N
7	BDPLANAR W Flex2-14D A6-6310 DIS 1G (Flex 2-14D)	5B20G00849	N
7	BDPLANAR W Flex2-14D W8P A6-6310 DIS 1G (Flex 2-14D)	5B20G00855	N
7	BDPLANAR W Flex2-14D W8S A6-6310 DIS 1G (Flex 2-14D)	5B20G00840	N
7	BDPLANAR W Flex2-14D A4-6210 DIS 2G (Flex 2-14D)	5B20G00847	N
7	BDPLANAR W Flex2-14D W8P A4-6210 DIS 2G (Flex 2-14D)	5B20G00852	N
7	BDPLANAR W Flex2-14D W8S A4-6210 DIS 2G (Flex 2-14D)	5B20G00836	N
7	BDPLANAR W Flex2-14D A6-6310 DIS 2G (Flex 2-14D)	5B20G00842	N
7	BDPLANAR W Flex2-14D W8P A6-6310 DIS 2G (Flex 2-14D)	5B20G00848	N
7	BDPLANAR W Flex2-14D W8S A6-6310 DIS 2G (Flex 2-14D)	5B20G00853	N
7	BDPLANAR W Flex2-14D A6-6310 UMA (Flex 2-14D)	5B20G16326	N
7	BDPLANAR W Flex2-14D W8P A6-6310 UMA (Flex 2-14D)	5B20G16328	N
7	BDPLANAR W Flex2-14D W8S A6-6310 UMA (Flex 2-14D)	5B20G16327	N
7	BDPLANAR W Flex2-15D A6-6400 UMA (Flex 2-15D)	5B20F78746	N
7	BDPLANAR W Flex2-15D W8P A6-6400 UMA (Flex 2-15D)	5B20F78751	N
7	BDPLANAR W Flex2-15D W8S A6-6400 UMA (Flex 2-15D)	5B20F78747	N
7	BDPLANAR W Flex2-15D E1-6010 UMA (Flex 2-15D)	5B20G00838	N
7	BDPLANAR W Flex2-15D W8P E1-6010 UMA (Flex 2-15D)	5B20G00851	N
7	BDPLANAR W Flex2-15D W8P E1-6010 UMA (Flex 2-15D)	5B20G00856	N
7	BDPLANAR W Flex2-15D A8-6410 UMA (Flex 2-15D)	5B20G00841	N
7	BDPLANAR W Flex2-15D W8P A8-6410 UMA (Flex 2-15D)	5B20G00846	N
7	BDPLANAR W Flex2-15D W8S A8-6410 UMA (Flex 2-15D)	5B20G00850	N
7	BDPLANAR W Flex2-15D A6-6310 DIS 1G (Flex 2-15D)	5B20G00854	N
7	BDPLANAR W Flex2-15D W8P A6-6310 DIS 1G (Flex 2-15D)	5B20G00837	N
7	BDPLANAR W Flex2-15D W8S A6-6310 DIS 1G (Flex 2-15D)	5B20G00844	N
7	BDPLANAR W Flex2-15D A6-6310 UMA (Flex 2-15D)	5B20G16323	N

Lenovo Flex 2-14/Flex 2-14D/Flex 2-15/Flex 2-15D

Table 4. Parts list—Overall (continued)

No.	FRU	FRU no.	CRU ID
7	BDPLANAR W Flex2-15D W8P A6-6310 UMA (Flex 2-15D)	5B20G16322	N
7	BDPLANAR W Flex2-15D W8S A6-6310 UMA (Flex 2-15D)	5B20G16329	N
7	BDPLANAR W Flex2-15D A6-6310 DIS 2G (Flex 2-15D)	5B20G16330	N
7	BDPLANAR W Flex2-15D W8P A6-6310 DIS 2G (Flex 2-15D)	5B20G16325	N
7	BDPLANAR W Flex2-15D W8S A6-6310 DIS 2G (Flex 2-15D)	5B20G16324	N
8	CPU Haswell ULT Intel I5-4200U 1.6G 3M C0 2cBGA CPU (Flex 2-14/ Flex 2-15)	102500568	N
8	CPU Haswell Intel I3-4010U 1.7G 3M C0 2cBGA CPU (Flex 2-14/ Flex 2-15)	102500569	N
8	CPU Haswell Intel 3558U 1.7G 2M D0 2cBGA CPU (Flex 2-14/ Flex 2-15)	102500685	N
8	CPU Haswell Intel 2990U 1.7G 2M D0 2cBGA CPU (Flex 2-14/ Flex 2-15)	102500732	N
8	CPU Haswell Intel i3-4025U 1.9G 3M D0 2cBGA CPU (Flex 2-14/ Flex 2-15)	5SA0F75458	N
8	CPU Haswell Intel i3-4030U 1.9G 3M D0 2cBGA CPU (Flex 2-14/ Flex 2-15)	5SA0F75450	N
8	CPU Haswell Intel i5-4210U 1.7G 3M D0 2cBGA CPU (Flex 2-14/ Flex 2-15)	102500736	N
8	CPU Haswell Intel i7-4510U 2G 4M D0 2cBGA CPU (Flex 2-14/ Flex 2-15)	102500737	N
8	CPU Haswell Intel 2957U 1.4G 2M D0 2cBGA CPU (Flex 2-14/ Flex 2-15)	102500687	N
8	CPU Bay-trial-M Intel N3520 2.17G 2M B3 4cBGA CPU (Flex 2-14/ Flex 2-15)	102500678	N
8	CPU Bay-trial-M Intel N2920 1.86G 2M B3 4cBGA CPU (Flex 2-14/ Flex 2-15)	102500679	N
8	CPU Bay-trial-M Intel N2815 1.86G 1M B3 2cBGA CPU (Flex 2-14/ Flex 2-15)	102500681	N
8	CPU Bay-trial-M Intel N2806 1.6G 1M B3 2cBGA CPU (Flex 2-14/ Flex 2-15)	102500682	N
8	CPU Bay-trial-M Intel N2830 2.17G 1M C0 2cBGA CPU (Flex 2-14/ Flex 2-15)	5SA0F63347	N
8	CPU Bay-trial-M Intel N2930 1.83G 2M C0 4cBGA CPU (Flex 2-14/ Flex 2-15)	5SA0F63351	N
8	CPU Bay-trial-M Intel N3530 2.17G 2M C0 4cBGA CPU (Flex 2-14/ Flex 2-15)	5SA0F63344	N
8	CPU Beama AMD A6-6310 1.8G 2M 4cBGA APU (Flex 2-14D/ Flex 2-15D)	102500690	N
8	CPU Beama AMD A4-6210 1.8G 2M 4cBGA APU (Flex 2-14D/ Flex 2-15D)	102500691	N
8	CPU Beama AMD E2-6110 1.5G 2M 4cBGA APU (Flex 2-14D/ Flex 2-15D)	102500692	N

Table 4. Parts list—Overall (continued)

No.	FRU	FRU no.	CRU ID
8	CPU Beama AMD E1-6010 1.35G 1M 2cBGA APU (Flex 2-14D/Flex 2-15D)	102500694	N
8	CPU Beama AMD A8-6410 2.0G 2M 4cBG APU (Flex 2-14D/Flex 2-15D)	5SA0F63345	N
9	SPEAKERINT Woofer W Flex2-14	5SB0F76768	N
10	HDD 320g 5400rpm(7mm) ST320LT012 6G 7mm 5.4K 320G HDD	16200384	N
10	HDD 320g 5400rpm(7mm) TSB MQ01ABF032 6G 7mm 5.4K 320G HDD (Flex 2-14/Flex 2-15)	16200434	N
10	HDD 320g 5400rpm(7mm) WD3200LPCX-24C6HT0 6G 7mm 5.4K 320G HDD	16200551	N
10	HDD 320g 5400rpm(7mm) HTS545032A7E660 6G 7mm 5.4K 320G HDD	16200405	N
10	HDD 500G 5400rpm(7mm) ST500LT012 6G 7mm 5.4K 500G HDD	16200383	N
10	HDD 500G 5400rpm(7mm) WD5000LPCX-24C6HT0 6G 7mm 5.4K 500G HDD	16200395	N
10	HDD 500G 5400rpm(7mm) TSB MQ01ABF050 6G 7mm 5.4K 500G HDD	16200433	N
10	HDD 500G 5400rpm(7mm) HTS545050A7E660 6G 7mm 5.4K 500G HDD	16200404	N
10	HDD 1TB 5400rpm(7mm) HTS541010A7E630 7mm 5400rpm 1T HDD	16200658	N
10	HDD 1TB 5400rpm(7mm) Seagate Angsana 7.0mm 2D(6G) 1TB	16200660	N
10	HDD 1TB 5400rpm(7mm) WD10SPCX-24HWST0 6G 7mm 1T HDD	16200554	N
10	SSD(Not used in Baytrial) 128GB 2.5" Sata SS MZ7TE128HMGR 128G 2.5" SSD (Flex 2-14/Flex 2-15)	16200604	N
10	SSD(Not used in Baytrial) 128GB 2.5" Sata SS MZ7TE128HMGR128GB 2.5" (Flex 2-14/Flex 2-15)	5SD0F76812	N
10	SSD(Not used in Baytrial) 128GB 2.5" Sata Lite-on LCS-128M6S 128G SATA SSD(Flex 2-14/Flex 2-15)	16200352	N
10	SSD(Not used in Baytrial) 256GB 2.5" Sata SS MZ7TE256HMHP 256G 2.5" SSD(Flex 2-14/Flex 2-15)	16200605	N
10	SSD(Not used in Baytrial) 256GB 2.5" Sata SS MZ7TE256HMHP 256GB 2.5"(Flex 2-14/Flex 2-15)	5SD0F76811	N
10	SSD(Not used in Baytrial) 256GB 2.5" Sata Lite-on LCS-256M6S 256GB SATA SSD(Flex 2-14/Flex 2-15)	16200488	N
10	SSD 128GB 2.5" Sata SS MZ7TE128HMGR 128G 2.5" SSD(Flex 2-14D/Flex 2-15D)	16200604	N
10	SSD 128GB 2.5" Sata SS MZ7TE128HMGR128GB 2.5" (Flex 2-14D/Flex 2-15D)	5SD0F76812	N
10	SSD 128GB 2.5" Sata Lite-on LCS-128M6S 128G SATA SSD(Flex 2-14D/Flex 2-15D)	16200352	N
10	SSD 256GB 2.5" Sata SS MZ7TE256HMHP 256G 2.5" SSD(Flex 2-14D/Flex 2-15D)	16200605	N

Lenovo Flex 2-14/Flex 2-14D/Flex 2-15/Flex 2-15D

Table 4. Parts list—Overall (continued)

No.	FRU	FRU no.	CRU ID
10	SSD 256GB 2.5" Sata SS MZ7TE256HMHP 256GB 2.5" (Flex 2-14D/Flex 2-15D)	5SD0F76811	N
10	SSD 256GB 2.5" Sata Lite-on LCS-256M6S 256GB SATA SSD (Flex 2-14D/Flex 2-15D)	16200488	N
10	e MMC (Only used in Baytrial) eMMC 16G Samsung KLMAG2GEAC EMMC 16G SSD (Flex 2-14/Flex 2-15)	16200565	N
10	e MMC (Only used in Baytrial) eMMC 16G Sandisk SDIN8DE4 EMMC 16G SSD (Flex 2-14/Flex 2-15)	16200564	N
10	e MMC (Only used in Baytrial) eMMC 32G Samsung KLMBG4GEAC EMMC 32G SSD (Flex 2-14/Flex 2-15)	16200447	N
10	e MMC (Only used in Baytrial) eMMC 32G Sandisk SDIN8DE4-32G EMMC 32G SSD (Flex 2-14/Flex 2-15)	16200556	N
10	SSHD 500 +8G Hybrid(7mm) ST500LM000 6G 7mm 500G+8G SSHD	16200391	N
10	SSHD 500 +8G Hybrid(7mm) MN500Sh-2 7mm 500G+8G SSHD	16200680	N
10	SSHD 1T +8G Hybrid(7mm) MN500Mh-2 7mm 1TB+8G SSHD	16200681	N
11	WLAN Intel 1x1 AC+BT 4.0/WiDi Intel 3160 1x1AC+BT PCIE NGFF WLAN (Flex 2-14/Flex 2-15)	20200418	N
11	WLAN Non-Intel 1x1 BN+BT 4.0 Ltn NFA335 1x1BN+BT4.0 PCIE M.2 WLAN	20200558	N
11	WLAN Non-Intel 1x1 BN+BT 4.0 Cbt BCM43142 1x1BN+BT4.0 PCIE M.2 WLAN	20200557	N
11	WLAN Non-Intel 1x1 BN+BT 4.0 Cbt RTL8723BE 1x1BN+BT4.0 PCIE M.2 WLAN	20200570	N
11	WLAN Non-intel 1x1 AC +BT 4.0 Ltn NFA345 1x1AC+BT4.0 PCIE M.2 WLAN	20200579	N
11	WLAN Non-intel 1x1 AC +BT 4.0 Cbt BCM43162 1x1AC+BT4.0 PCIE M.2 WLAN	20200573	N
12	CARDPOP ODD Board W Flex2-15 W /Cable (Flex 2-15/Flex 2-15D)	5C50F76766	N
12	CARDPOP ODD Board W Flex2-15D W /Cable (Flex 2-15D)	5C50F78744	N
13	COVER Upper Case W Flex2-14 Grey (Flex 2-14)	5CB0F76760	N
13	COVER Upper Case W Flex2-14 Red (Flex 2-14)	5CB0F76754	N
13	COVER Upper Case W Flex2-14 White (Flex 2-14/ Flex 2-14D)	5CB0F76759	N
13	COVER Upper Case W Flex2-14 Black (Flex 2-14/ Flex 2-14D)	5CB0F76756	N
13	COVER Upper Case W Flex2-14 Red (Flex 2-14)	5CB0F76754	N
13	COVER Upper Case W Flex2-14 Yellow (Flex 2-14/ Flex 2-14D)	5CB0F76751	N
13	COVER Upper Case W Flex2-15 Black (Flex 2-15/ Flex 2-15D)	5CB0F76796	N
13	COVER Upper Case W Flex2-15 Red (Flex 2-15)	5CB0F76791	N

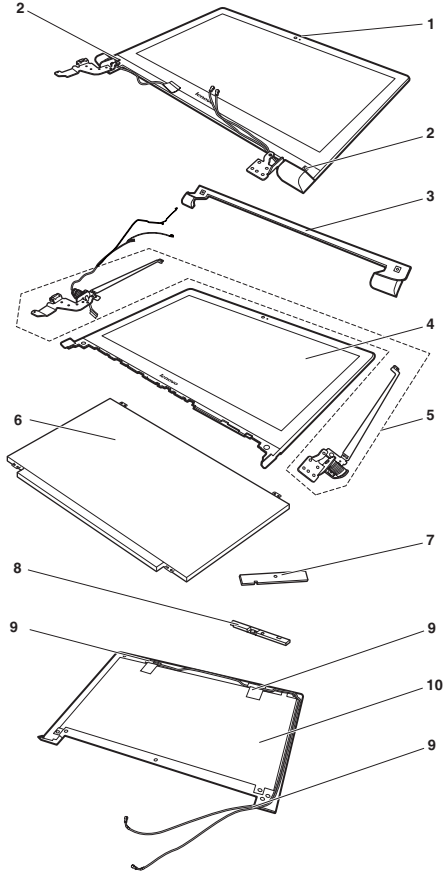
Table 4. Parts list—Overall (continued)

No.	FRU	FRU no.	CRU ID
14	COVER Lower Case W Flex2-14 Grey (Flex 2-14)	5CB0F76741	N
14	COVER Lower Case W Flex2-14 White (Flex 2-14/ Flex 2-14D)	5CB0F76738	N
14	COVER Lower Case W Flex2-14 Black (Flex 2-14/ Flex 2-14D)	5CB0F76736	N
14	COVER Lower Case W Flex2-14 Red (Flex 2-14)	5CB0F76733	N
14	COVER Lower Case W Flex2-14 Yellow (Flex 2-14/ Flex 2-14D)	5CB0F76731	N
14	COVER Lower Case W Flex2-15 Black (Flex 2-15/ Flex 2-15D)	5CB0F76746	N
14	COVER Lower Case W Flex2-15 Red (Flex 2-15)	5CB0F76790	N
15	CARDPOP IO Board W Flex2-14 (Flex 2-14/Flex 2-14D)	5C50F76784	N
15	CARDPOP IO Board W Flex2-15 (Flex 2-15/Flex 2-15D)	5C50F76764	N
15	CARDPOP IO Board W Flex2-14D (Flex 2-14D)	5C50F78738	N
15	CARDPOP IO Board W Flex2-15D	5C50F78741	N
16	CABLE DC-IN W Flex2-14	5C10F76770	N
16	CABLE DC-IN W Flex2-15	5C10F84514	N
16	CABLE DC-IN W Flex2-14D	5C10F78745	N
16	CABLE DC-IN W Flex2-15D	5C10G00126	N
17	Battery 18650 2.8Ah 4 cell Mybo SY L13S4E61 7.2V41.6Wh 4cell bty	121500245	N
17	Battery 18650 2.8Ah 4 cell Mybo SP/L L13M4E61 7.44V41.6Wh 4cell bty	121500246	N
17	Battery 18650 2.8Ah 4 cell Mybo LG L13L4E61 7.44V41.6Wh 4cell bty	121500247	N
17	18 Battery 18650 2.2Ah 4 cell Mybo SY L13S4A61 7.2V32Wh 4cell bty	121500260	N
17	Battery 18650 2.2Ah 4 cell Mybo SP/L L13M4A61 7.2V32Wh 4cell bty	121500261	N
17	Battery 18650 2.2Ah 4 cell Mybo LG L13L4A61 7.2V32Wh 4cell bty	121500262	N

LCD FRUs

In Lenovo Flex 2-14/Flex 2-14D/Flex 2-15/Flex 2-15D, there are following types of LCDs.

- "14.0 -in. HD TFT"
- "15.6 -in. HD TFT"



14.0-in. HD TFT

Table 5. Parts list—14.0-in. HD TFT

No.	FRU	FRU no.	CRU ID
1	DISPLAY LCD Module W Flex2-14 Grey (Flex2-14)	5D10F76748	N
1	DISPLAY LCD Module W Flex2-14 Black FHD (Flex2-14)	5D10F86070	N
1	DISPLAY LCD Module W Flex2-14 Grey FHD (Flex2-14)	5D10F86069	N
1	DISPLAY LCD Module W Flex2-14D Black (Flex 2-14D)	5D10G18360	N
2	RUBBER LCD Bezel Screw Pad W Flex2-14 (Flex 2-14/ Flex 2-14D)	5R60F76763	N
3	Hinge Cover W Flex2-14 White (Flex 2-14/Flex 2-14D)	5B30F76779	N
3	Hinge Cover W Flex2-14 Black (Flex 2-14/Flex 2-14D)	5B30F76771	N
3	Hinge Cover W Flex2-14 Yellow (Flex 2-14/Flex 2-14D)	5B30F76782	N
4	BEZEL LCD W Flex2-14 Grey (Flex2-14)	5B30F76772	N
4	BEZEL LCD W Flex2-14 Red (Flex2-14)	5B30F76783	N
5	HINGE L+R W Flex2-14 W/LCD&Camera Cable (Flex 2-14/Flex 2-14D)	5H50F76734	N
6	Panel 14.0 Edp HD TN 3.0 mm Slim LGD LP140WHU- TPBH HD AG S LED1 NB LCD (Flex2-14)	18201582	N
6	Panel 14.0 Edp HD TN 3.0 mm Slim AUO B140XTN02.A HW0A HD AG S LED1 NB LCD (Flex2-14)	18201154	N
6	Panel 14.0 Edp HD TN 3.0 mm Slim CMI N140BGE-EA3 C2 HD AG S LED1 NB LCD (Flex2-14)	18201578	N
6	Panel 14.0 Edp FHD IPS AG 3.0mm Slim (Not used in Baytrial) LGD LP140WF3-SPL1 FHD AG S LED1 NB LCD (Flex2-14)	18201637	N
6	Panel 14.0 Edp HD 3.0 mm Slim LGD LP140WHU-TPB3 HD AG S LED1 NB LCD (Flex2-14D)	18201582	N
6	Panel 14.0 Edp HD 3.0 mm Slim AUO B140XTN02.A HW0A HD AG S LED1 NB LCD (Flex2-14D)	18201154	N
6	Panel 14.0 Edp HD 3.0 mm Slim CMI N140BGE-EA3 C2 HD AG S LED1 NB LCD (Flex2-14D)	18201578	N
7	CARDPOP Sensor Board W Flex2-14 (Flex2-14)	5C50F76743	N
7	CARDPOP Sensor Board W Flex2-14D (Flex2-14D)	5C50F78750	N
8	CAMERA W Flex2-14 0.3M W/1MIC (Flex 2-14/ Flex 2-14D)	5C20F76774	N
8	CAMERA W Flex2-14 1M W/1MIC (Flex 2-14/Flex 2-14D)	5C20F76777	N
8	CAMERA W Flex2-14 1M W/2MIC (Flex 2-14/Flex 2-14D)	5C20F76778	N
9	ANTENNA WLAN W Flex2-14 MAIN/AUX (Flex 2-14/ Flex 2-14D)	5A30F76752	N
10	COVER LCD W Flex2-14 White (Flex 2-14/Flex 2-14D)	5CB0F76780	N
10	COVER LCD W Flex2-14 Black (Flex 2-14/Flex 2-14D)	5CB0F76776	N
10	COVER LCD W Flex2-14 Grey (Flex2-14)	5CB0F76786	N
10	COVER LCD W Flex2-14 Red (Flex2-14)	5CB0F76785	N
10	COVER LCD W Flex2-14 Yellow (Flex 2-14/Flex 2-14D)	5CB0F76781	N

Lenovo Flex 2-14/Flex 2-14D/Flex 2-15/Flex 2-15D

15.6-in. HD TFT

Table 6. Parts list—15.6-in. HD TFT

No.	FRU	FRU no.	CRU ID
1	DISPLAY LCD Module W Flex2-15 Black FHD (Flex 2-15)	5D10F86071	N
1	DISPLAY LCD Module W Flex2-15D Black (Flex 2-15D)	5D10G18359	N
2	RUBBER LCD Bezel Screw Pad W Flex2-15 (Flex 2-15/ Flex 2-15D)	5R60F76742	N
4	BEZEL LCD W Flex2-15 Black (Flex 2-15/Flex 2-15D)	5B30F76747	N
4	BEZEL LCD W Flex2-15 Red (Flex 2-15)	5B30F76793	N
5	HINGE L+R W Flex2-15 W/LCD&Camera Cable (Flex 2-15/Flex 2-15D)	5H50F76792	N
6	LCD Panel 15.6 Edp HD AG 3.0mm Slim LGD LP156WHU TPB2 HD AG S LED1 LCD	18201590	N
6	LCD Panel 15.6 Edp HD AG 3.0mm Slim AUO B156XTN03.5 4A HD AG S LED1 LCD	18201591	N
6	LCD Panel 15.6 Edp HD AG 3.0mm Slim CMI N156BGE- EA1 C2 HD AG S LED1 NB LCD	18201589	N
6	LCD Panel15.6 Edp FHD IPS AG 3.0mm Slim(Not used in Baytrial) LGD LP156WF4-SPL1 FHD AG S LED1 NB LCD (Flex 2-15)	18201638	N
7	CARDPOP Sensor Board W Flex2-15 (Flex 2-15)	5C50F76765	N
7	CARDPOP Sensor Board W Flex2-15D (Flex 2-15D)	5C50F78743	N
8	CAMERA W Flex2-14 0.3M W/1MIC (Flex 2-15/ Flex 2-15D)	5C20F76774	N
8	CAMERA W Flex2-14 1M W/1MIC (Flex 2-15/Flex 2-15D)	5C20F76777	N
8	CAMERA W Flex2-14 1M W/2MIC (Flex 2-15/Flex 2-15D)	5C20F76778	N
9	ANTENNA WLAN W Flex2-15 MAIN/AUX (Flex 2-15/ Flex 2-15D)	5A30F76795	N
10	COVER LCD W Flex2-15 Black (Flex 2-15/Flex 2-15D)	5CB0F76749	N
10	COVER LCD W Flex2-15 Red (Flex 2-15)	5CB0F76797	N

Keyboard

Table 7. Parts list—Keyboard

Language		P/N	CRU ID	
keyboard Flex 2-14/ Flex 2-14D Normal (Black)	Chicony (black)	Indian	25214539	**
		Czechoslovakian	25214537	
		Bulgarian	25214538	
		International English	25214536	
		Swiss	25214535	
		Slovenian	25214534	
		Icelandic	25214533	
		Belgian	25214532	
		Four Nordic countries	25214531	
		Hungarian	25214530	
		Hebrew	25214529	
		Greek	25214528	
		Dutch	25214527	
		Japanese	25214526	
		Brazilian	25214525	
		Arabic	25214524	
		German	25214523	
		French	25214522	
		Russian	25214521	
		Traditional Chinese	25214520	
		Korean	25214519	
		Canadian English&French	25214518	
		Latin	25214517	
		Portuguese	25214516	
		Thai	25214515	
		Turkish	25214514	
		Spanish	25214513	
		Italian	25214512	
	U.K. English	25214511		
	English	25214510		
	Sunrex (Black)	Indian	25214569	
		Czechoslovakian	25214567	
		Bulgarian	25214568	
International English		25214566		
Swiss		25214565		
Slovenian		25214564		
Icelandic		25214563		
Belgian		25214562		
Four Nordic countries		25214561		
Hungarian		25214560		
Hebrew		25214559		
Greek		25214558		
Dutch	25214557			
Brazilian	25214555			

Lenovo Flex 2-14/Flex 2-14D/Flex 2-15/Flex 2-15D

Table 7. Parts list—Keyboard (continued)

Language		P/N	CRU ID	
keyboard Flex2-14/ Flex 2-14D Normal (Black) (continued)	Sunrex (Black) (continued)	Arabic	25214554	**
		German	25214553	
		French	25214552	
		Russian	25214551	
		Traditional Chinese	25214550	
		Korean	25214549	
		Canadian English&French	25214548	
		Latin	25214547	
		Portuguese	25214546	
		Thai	25214545	
		Turkish	25214544	
		Spanish	25214543	
		Italian	25214542	
		U.K. English	25214541	
	English	25214540		
	Liteon (Black)	Indian	25215219	
		Bulgarian	25215218	
		Czechoslovakian	25215217	
		International English	25215216	
		Swiss	25215215	
		Slovenian	25215214	
		Icelandic	25215213	
		Belgian	25215212	
		Four Nordic countries	25215211	
		Hungarian	25215210	
		Hebrew	25215209	
		Greek	25215208	
		Dutch	25215207	
		Japanese	25215206	
		Brazilian	25215205	
		Arabic	25215204	
		German	25215203	
		French	25215202	
		Russian	25215201	
		Traditional Chinese	25215200	
		Korean	25215199	
		Canadian English&French	25215198	
		Latin	25215197	
		Portuguese	25215196	
		Thai	25215195	
		Turkish	25215194	
		Spanish	25215193	
Italian		25215192		
U.K. English	25215191			
English	25215190			

Table 7. Parts list—Keyboard (continued)

Language		P/N	CRU ID	
keyboard Flex 2-14/ Flex 2-14D Normal (Silver)	Chicony (Silver)	Indian	25215129	**
		Bulgarian	25215128	
		Czechoslovakian	25215127	
		International English	25215126	
		Swiss	25215125	
		Slovenian	25215124	
		Icelandic	25215123	
		Belgian	25215122	
		Four Nordic countries	25215121	
		Hungarian	25215120	
		Hebrew	25215119	
		Greek	25215118	
		Dutch	25215117	
		Japanese	25215116	
		Brazilian	25215115	
		Arabic	25215114	
		German	25215113	
		French	25215112	
		Russian	25215111	
		Traditional Chinese	25215110	
		Korean	25215109	
		Canadian English&French	25215108	
		Latin	25215107	
		Portuguese	25215106	
		Thai	25215105	
		Turkish	25215104	
	Spanish	25215103		
	Italian	25215102		
	U.K. English	25215101		
	English	25215100		
	Sunrex (Silver)	Indian	25215159	
		Bulgarian	25215158	
		Czechoslovakian	25215157	
		International English	25215156	
Swiss		25215155		
Slovenian		25215154		
Icelandic		25215153		
Belgian		25215152		
Four Nordic countries		25215151		
Hungarian		25215150		
Hebrew		25215149		
Greek		25215148		
Dutch		25215147		
Brazilian		25215145		

Lenovo Flex 2-14/Flex 2-14D/Flex 2-15/Flex 2-15D

Table 7. Parts list—Keyboard (continued)

Language		P/N	CRU ID	
keyboard Flex 2-14/ Flex 2-14D Normal (Silver) (continued)	Sunrex (Silver) (continued)	Arabic	25215144	**
		German	25215143	
		French	25215142	
		Russian	25215141	
		Traditional Chinese	25215140	
		Korean	25215139	
		Canadian English&French	25215138	
		Latin	25215137	
		Portuguese	25215136	
		Thai	25215135	
		Turkish	25215134	
		Spanish	25215133	
		Italian	25215132	
		U.K. English	25215131	
	English	25215130		
	Liteon (Silver)	Indian	25215189	
		Bulgarian	25215188	
		Czechoslovakian	25215187	
		International English	25215186	
		Swiss	25215185	
		Slovenian	25215184	
		Icelandic	25215183	
		Belgian	25215182	
		Four Nordic countries	25215181	
		Hungarian	25215180	
		Hebrew	25215179	
		Greek	25215178	
		Dutch	25215177	
		Japanese	25215176	
		Brazilian	25215175	
		Arabic	25215174	
		German	25215173	
		French	25215172	
		Russian	25215171	
		Traditional Chinese	25215170	
		Korean	25215169	
		Canadian English&French	25215168	
		Latin	25215167	
		Portuguese	25215166	
		Thai	25215165	
		Turkish	25215164	
		Spanish	25215163	
Italian		25215162		
U.K. English	25215161			
English	25215160			

Table 7. Parts list—Keyboard (continued)

Language		P/N	CRU ID	
keyboard Flex 2-14 Backlight (Silver)	Chicony Silver	English	25215587	**
		English (USA)	25215588	
		U.K. English	25215589	
		Italian	25215590	
		Spanish	25215591	
		Turkish	25215592	
		Thai	25215593	
		Portuguese	25215594	
		Latin	25215595	
		Canadian English&French	25215596	
		Korean	25215597	
		Traditional Chinese	25215598	
		Russian	25215599	
		French	25215600	
		German	25215601	
		Arabic	25215602	
		Brazilian	25215603	
		Japanese	25215604	
		Dutch	25215605	
		Greek	25215606	
		Hebrew	25215607	
		Hungarian	25215608	
		Four Nordic countries	25215609	
		Belgian	25215610	
		Icelandic	25215611	
	Slovenian	25215612		
	Swiss	25215613		
	International English	25215614		
	Czechoslovakian	25215615		
	Bulgarian	25215616		
	Indian	25215617		
	Liteon Silver	English	25215618	
		English (USA)	25215619	
		U.K. English	25215620	
		Italian	25215621	
Spanish		25215622		
Turkish		25215623		
Thai		25215624		
Portuguese		25215625		
Latin		25215626		
Canadian English&French		25215627		
Korean		25215628		
Traditional Chinese		25215629		
Russian		25215630		
French	25215631			
German	25215632			

Lenovo Flex 2-14/Flex 2-14D/Flex 2-15/Flex 2-15D

Table 7. Parts list—Keyboard (continued)

Language		P/N	CRU ID	
keyboard Flex 2-14 Backlight (Silver)	Liteon Silver (continued)	Arabic	25215633	**
		Brazilian	25215634	
		Japanese	25215635	
		Dutch	25215636	
		Greek	25215637	
		Hebrew	25215638	
		Hungarian	25215639	
		Four Nordic countries	25215640	
		Belgian	25215641	
		Icelandic	25215642	
		Slovenian	25215643	
		Swiss	25215644	
		International English	25215645	
		Czechoslovakian	25215646	
		Bulgarian	25215647	
Indian	25215648			
keyboard Flex 2-14 Backlight (Black)	Chicony Black	English	25214816	
		English (USA)	25214817	
		U.K. English	25214818	
		Italian	25214819	
		Spanish	25214820	
		Turkish	25214821	
		Thai	25214822	
		Portuguese	25214823	
		Latin	25214824	
		Canadian English&French	25214825	
		Korean	25214826	
		Traditional Chinese	25214827	
		Russian	25214828	
		French	25214829	
		German	25214830	
		Arabic	25214831	
		Brazilian	25214832	
		Japanese	25214833	
		Dutch	25214834	
		Greek	25214835	
		Hebrew	25214836	
		Hungarian	25214837	
		Four Nordic countries	25214838	
		Belgian	25214839	
		Icelandic	25214840	
		Slovenian	25214841	
		Swiss	25214842	
International English	25214843			
Czechoslovakian	25214844			
Bulgarian	25214845			
Indian	25214846			

Table 7. Parts list—Keyboard (continued)

Language		P/N	CRU ID
keyboard Flex 2-14 Backlight (Black) (continued)	Liteon Black	English	25215649
		English(USA)	25215650
		U.K. English	25215651
		Italian	25215652
		Spanish	25215653
		Turkish	25215654
		Thai	25215655
		Portuguese	25215656
		Latin	25215657
		Canadian English&French	25215658
		Korean	25215659
		Traditional Chinese	25215660
		Russian	25215661
		French	25215662
		German	25215663
		Arabic	25215664
		Brazilian	25215665
		Japanese	25215666
		Dutch	25215667
		Greek	25215668
		Hebrew	25215669
		Hungarian	25215670
		Four Nordic countries	25215671
		Belgian	25215672
Icelandic	25215673		
Slovenian	25215674		
Swiss	25215675		
International English	25215676		
Czechoslovakian	25215677		
Bulgarian	25215678		
Indian	25215679		

Lenovo Flex 2-14/Flex 2-14D/Flex 2-15/Flex 2-15D

Table 7. Parts list—Keyboard (continued)

Language		P/N	CRU ID	
keyboard Flex2-15/ Flex 2-15D Normal (Black)	Chicony Black	English	25214725	**
		U.K. English	25214726	
		Italian	25214727	
		Spanish	25214728	
		Turkish	25214729	
		Thai	25214730	
		Portuguese	25214731	
		Latin	25214732	
		Canadian English&French	25214733	
		Korean	25214734	
		Traditional Chinese	25214735	
		Russian	25214736	
		French	25214737	
		German	25214738	
		Arabic	25214739	
		Brazilian	25214740	
		Dutch	25214742	
		Greek	25214743	
		Hebrew	25214744	
		Hungarian	25214745	
		Four Nordic countries	25214746	
		Belgian	25214747	
		Icelandic	25214748	
		Slovenian	25214749	
	Swiss	25214750		
	International English	25214751		
	Czechoslovakian	25214752		
	Bulgarian	25214753		
	Indian	25214754		
	Sunrex Black	English	25214755	
		U.K. English	25214756	
		Italian	25214757	
		Spanish	25214758	
		Turkish	25214759	
Thai		25214760		
Portuguese		25214761		
Latin		25214762		
Canadian English&French		25214763		
Korean		25214764		
Traditional Chinese	25214765			
Russian	25214766			
French	25214767			
German	25214768			

Table 7. Parts list—Keyboard (continued)

Language		P/N	CRU ID	
keyboard Flex2-15/ Flex 2-15D Normal (Black) (continued)	Sunrex Black (continued)	Arabic	25214769	**
		Brazilian	25214770	
		Japanese	25214771	
		Dutch	25214772	
		Greek	25214773	
		Hebrew	25214774	
		Hungarian	25214775	
		Four Nordic countries	25214776	
		Belgian	25214777	
		Icelandic	25214778	
		Slovenian	25214779	
		Swiss	25214780	
		International English	25214781	
		Czechoslovakian	25214782	
		Bulgarian	25214783	
	Indian	25214784		
	Darfon Black	English	25214785	
		U.K. English	25214786	
		Italian	25214787	
		Spanish	25214788	
		Turkish	25214789	
		Thai	25214790	
		Portuguese	25214791	
		Latin	25214792	
		Canadian English&French	25214793	
		Korean	25214794	
		Traditional Chinese	25214795	
		Russian	25214796	
		French	25214797	
		German	25214798	
		Arabic	25214799	
		Brazilian	25214800	
		Japanese	25214801	
		Dutch	25214802	
		Greek	25214803	
		Hebrew	25214804	
		Hungarian	25214805	
		Four Nordic countries	25214806	
		Belgian	25214807	
		Icelandic	25214808	
		Slovenian	25214809	
		Swiss	25214810	
International English		25214811		
Czechoslovakian	25214812			
Bulgarian	25214813			
Indian	25214814			

Table 7. Parts list—Keyboard (continued)

Language		P/N	CRU ID
keyboard Flex2-15 Backlit Black	Sunrex Black	English	25214632
		English(USA)	25214633
		U.K. English	25214634
		Italian	25214635
		Spanish	25214636
		Turkish	25214637
		Thai	25214638
		Portuguese	25214639
		Latin	25214640
		Canadian English&French	25214641
		Korean	25214642
		Traditional Chinese	25214643
		Russian	25214644
		French	25214645
		German	25214646
		Arabic	25214647
		Brazilian	25214648
		Japanese	25214649
		Dutch	25214650
		Greek	25214651
		Hebrew	25214652
		Hungarian	25214653
		Four Nordic countries	25214654
		Belgian	25214655
		Icelandic	25214656
		Slovenian	25214657
Swiss	25214658		
International English	25214659		
Czechoslovakian	25214660		
Bulgarian	25214661		
Indian	25214662		

Table 7. Parts list—Keyboard (continued)

Language		P/N	CRU ID
keyboard Flex2-15 Backlit Black (continued)	Darfon Black	English	25214663
		English(USA)	25214664
		U.K. English	25214665
		Italian	25214666
		Spanish	25214667
		Turkish	25214668
		Thai	25214669
		Portuguese	25214670
		Latin	25214671
		Canadian English&French	25214672
		Korean	25214673
		Traditional Chinese	25214674
		Russian	25214675
		French	25214676
		German	25214677
		Arabic	25214678
		Brazilian	25214679
		Japanese	25214680
		Dutch	25214681
		Greek	25214682
		Hebrew	25214683
		Hungarian	25214684
		Four Nordic countries	25214685
		Belgian	25214686
		Icelandic	25214687
		Slovenian	25214688
		Swiss	25214689
		International English	25214690
Czechoslovakian	25214691		
Bulgarian	25214692		
Indian	25214693		

Lenovo Flex 2-14/Flex 2-14D/Flex 2-15/Flex 2-15D

Miscellaneous parts

Table 8. Parts list—Miscellaneous parts

FRU	P/N	CRU ID
System miscellaneous parts: <ul style="list-style-type: none"> • (a) BRACKET HDD W Flex2-14 (Flex 2-14/Flex 2-14D) • (a) BRACKET HDD W Flex2-15 (Flex 2-15/Flex 2-15D) • (b) BRACKET ODD W Flex2-15 (Flex 2-15/Flex 2-15D) • (c) BEZEL ODD W Flex2-15 Red (Flex 2-15) • (c) BEZEL ODD W Flex2-15 Black (Flex 2-15/Flex 2-15D) 	5B40F76744 5B40F76773 5B40F76757 5B30F76789 5B30F76745	N
Cable miscellaneous parts: <ul style="list-style-type: none"> • (d) CABLE Power W Flex2-15 (Flex 2-15/Flex 2-15D) • (e) CABLE TouchPad W Flex2-14 (Flex 2-14/Flex 2-14D) • (e) CABLE TouchPad W Flex2-15 (Flex 2-15/Flex 2-15D) • (f) CABLE IO Board W Flex2-14 (Flex 2-14/Flex 2-14D) • (f) CABLE IO Board W Flex2-15 (Flex 2-15/Flex 2-15D) <p>Note: <i>Italicized letters in parentheses are references to the exploded view in “Overall” on page 71.</i></p>	5C10F76788 5C10F76775 5C10F76787 5C10F76740 5C10F76767	N

AC adapters

Table 9. Parts list—3-pin AC adapters

FRU	P/N	CRU ID
45W(3pin) Delta ADLX45NDC3A 20V2.25A adapter Delta	36200602	*
45W(3pin) Liteon ADLX45NLC3A 20V2.25A adapter Liteon	36200606	*
45W(3pin) Chicony ADLX45NCC3A 20V2.25A adapter Chicony	36200610	*
65W(3pin) Delta ADLX65NDC3A 20V3.25A adapter	36200249	*
65W(3pin) Liteon ADLX65NLC3A 20V3.25A adapter Liteon	36200607	*
65W(3pin) Chicony ADLX65NCC3A 20V3.25A adapter Chicony	36200611	*

Screws

Table 10. Parts list --screws

FRU	P/N	CRU ID
SCREW Pack W Flex2-14	5S10F76732	N
SCREW Screw pack W Flex2-14D	5S10F78742	N
SCREW Screw pack W Flex2-15	5S10F76739	N
SCREW Screw pack W Flex2-15D	5S10F78749	N

Power cords

A Lenovo power cord for a specific country or region is usually available only in that country or region:

Table 11. Parts list—3-pin power cords

Region	P/N	CRU ID
CCC • LINETEK PC323+RVV300/300+LS15 1m	145000600	*
Argentina • LINETEK LS15+H03VV-F+LP39 1m	145000599	
Denmark • LINETEK LS15+H03VV-F+LP-38 1m	145000598	
Switzerland • LINETEK LS15+H03VV-F+LP-37 1m	145000597	
Brazil • LINETEK LS15 H03VV-F LP26A 1m	145000596	
Israel • LINETEK LS15+H03VV-F+LP-41 1m	145000595	
UL • LINETEK LP-30B + SPT-2 + LS15 1m	145000594	
UK • LINETEK LP-61L+ H03VV-F+ LS15 1m	145000593	
Indian • LINETEK PE-361+ H05VV-F+ LS15 1m	145000592	
Italy • LINETEK LS15+H03VV-F+PE-336 1m	145000591	
Korea • LINETEK LS15+H05VV-F+LP-E04A 1m	145000590	
Australia • LINETEK LS15+H03VV-F+LP-23A 1m	145000589	
Taiwan • LINETEK LS15+VCTF+LP-53 1m	145000588	
Japan • LINETEK LS15+VCTF+LP-54 1m	145000587	
Africa • LINETEK LS15+H03VV-F+PE-364 1m	145000586	
CE • LINETEK LP-34+H03VV-F + LS15 1m	145000585	
CCC • Longwell LSG-31+RVV300/300+LS-18 1m	145000568	
Argentina • Longwell LP-24+H03VV-F+LS-18 1m	145000567	
Denmark • Longwell LP-40+H03VV-F+LS-18 1m	145000566	
Switzerland • Longwell LP-37+H03VV-F+LS-18 1m	145000565	

Table 11. Parts list—3-pin power cords (continued)

Region	P/N	CRU ID
Brazil	145000564	*
• Longwell LP-46+H03VV-F+LS-18 1m		
Israel	145000563	
• Longwell LP-41+H03VV-F+LS-18 1m		
UL	145000562	
• Longwell LP-30B+SPT-2 18AWG+LS-18 1m		
UK	145000561	
• Longwell LP-61L+H03VV-F+LS-18 1m		
Indian	145000560	
• Longwell LP-67+BIS+LS-18 1m		
Italy	145000559	
• Longwell LP-22+H03VV-F+LS-18 1m		
Korea	145000558	
• Longwell LP-486+KTLH03VV-F+LS-5 1m		
Australia	145000557	
• Longwell LP-23A+LFC-3R+LS-18 1m		
Taiwan	145000556	
• Longwell LP-71+VCTF+LS-33 1m		
Japan	145000555	
• Longwell LP-54+VCTF+LS-18 1m		
Africa	145000554	
• Longwell LP-39+H03VV-F+LS-18 1m		
CE	145000553	
• Longwell LP-34A+H03VV-F+LS-18 1m		
CCC	145000538	
• VOLEX GB10S3+RVV 300/500+VAC5S 1m		
UL	145000537	
• Volex US15S3+SPT-2 +VAC5S 1m		
Italy	145000535	
• VOLEX IT10S3+H03VV-F+VAC5S 1m		
Denmark	145000534	
• VOLEX MP233D+H03VV-F+VAC5S 1m		
Korea	145000533	
• VOLEX M2511+KETI IEC+VAC5S 1m		
Australia	145000532	
• VOLEX AU10S3+H03VV-F+VAC5S 1m		
Taiwan	145000531	
• VOLEX TW15CS3+VCTF+VAC5S 1m		
Japan	145000530	
• VOLEX VAC5S+VCTF+M755 1m		
Argentina	145000528	
• VOLEX VA2073+H03VV-F+VAC5S 1m		

Lenovo Flex 2-14/Flex 2-14D/Flex 2-15/Flex 2-15D

Table 11. Parts list—3-pin power cords (continued)

Region	P/N	CRU ID
Brazil • VOLEX CH10S3+H03VV-F+VAC5S 1m	145000527	*
Israel • VOLEX SI16S3+H03VV-F+VAC5S 1m	145000526	
CE • VOLEX M2511+H03VV-F+VAC5S 1m	145000525	
Switzerland • VOLEX MP232+H03VV-F+VAC5S 1m	145000524	
UK • VOLEX MP5004+H03VV-F+VAC5S 1m	145000605	
UK • lux 0031+H03VV-F 0.75/3C+0011 1m	145500000	*
CE • lux 0033+H03VV-F 0.75/3C+0011 1m	145500001	*
UL • lux 0014+SPT-2 60°C 18/3C+0016 1m	145500002	*
CCC • lux 0036+RVV 300/300 0.75/3C+0002 1m	145500003	*
Indian • lux 0046+IS694 0.75/3C+0011 1m	145500004	*
Japan • lux 0018(E)+VCTF 0.75/3C+0021 1m	145500005	*
Australia • lux 0038+H03VV-F 0.75/3C+0011 1m	145500006	*
Taiwan • lux 0019+VCTF 0.75/3C+0021 1m	145500007	*
Korea • lux 0033+H03VV-F 0.75/3C+0011 1m	145500008	*
Italy • lux 0029+H03VV-F 0.75/3C+0011 1m	145500009	*
Africa • lux 0044+H03VV-F 0.75/3C+0011 1m	145500010	*
Brazil • lux 0034+H03VV-F 0.75/3C+0011 1m	145500011	*
Israel • lux 0041+H03VV-F 0.75/3C+0011 1m	145500012	*
Switzerland • lux 0027+H03VV-F 0.75/3C+0011 1m	145500013	*
Denmark • lux 0048+H03VV-F 0.75/3C+0011 1m	145500014	*
Argentina • lux 0040+H03VV-F 0.75/3C+0011 1m	145500015	*

Notices

Lenovo may not offer the products, services, or features discussed in this document in all countries. Consult your local Lenovo representative for information on the products and services currently available in your area. Any reference to a Lenovo product, program, or service is not intended to state or imply that only that Lenovo product, program, or service may be used. Any functionally equivalent product, program, or service that does not infringe any Lenovo intellectual property right may be used instead. However, it is the user's responsibility to evaluate and verify the operation of any other product, program, or service.

Lenovo may have patents or pending patent applications covering subject matter described in this document. The furnishing of this document does not give you any license to these patents.

LENOVO GROUP LTD. PROVIDES THIS PUBLICATION "AS IS" WITHOUT WARRANTY OF ANY KIND, EITHER EXPRESS OR IMPLIED, INCLUDING, BUT NOT LIMITED TO, THE IMPLIED WARRANTIES OF NON-INFRINGEMENT, MERCHANTABILITY OR FITNESS FOR A PARTICULAR PURPOSE. Some jurisdictions do not allow disclaimer of express or implied warranties in certain transactions, therefore, this statement may not apply to you.

This information could include technical inaccuracies or typographical errors. Changes are periodically made to the information herein; these changes will be incorporated in new editions of the publication. Lenovo may make improvements and/or changes in the product(s) and/or the program(s) described in this publication at any time without notice.

The products described in this document are not intended for use in implantation or other life support applications where malfunction may result in injury or death to persons. The information contained in this document does not affect or change Lenovo product specifications or warranties. Nothing in this document shall operate as an express or implied license or indemnity under the intellectual property rights of Lenovo or third parties. All information contained in this document was obtained in specific environments and is presented as an illustration. The result obtained in other operating environments may vary.

Lenovo may use or distribute any of the information you supply in any way it believes appropriate without incurring any obligation to you.

Any references in this publication to non-Lenovo Web sites are provided for convenience only and do not in any manner serve as an endorsement of those Web sites. The materials at those Web sites are not part of the materials for this Lenovo product, and use of those Web sites is at your own risk.

Any performance data contained herein was determined in a controlled environment. Therefore, the result obtained in other operating environments may vary significantly. Some measurements may have been made on development-level systems and there is no guarantee that these measurements will be the same on generally available systems. Furthermore, some measurements may have been estimated through extrapolation. Actual results may vary. Users of this document should verify the applicable data for their specific environment.

Trademarks

The following terms are trademarks or registered trademarks of Lenovo in the United States, other countries, or both.

Lenovo
OneKey

Microsoft and Windows are trademarks of Microsoft Corporation in the United States, other countries, or both.

Other company, products, or service names may be trademarks or service marks of others.