

***lenovo***

ThinkStation P500 and P700  
User Guide

ThinkThink**ThinkStation**Think

**Machine Types:** 30A6, 30A7, 30A8, and 30A9

**Note:** Before using this information and the product it supports, be sure to read and understand the “Read this first: Important safety information” on page v and Appendix E “Notices” on page 151.

**First Edition (September 2014)**

**© Copyright Lenovo 2014.**

LIMITED AND RESTRICTED RIGHTS NOTICE: If data or software is delivered pursuant a General Services Administration “GSA” contract, use, reproduction, or disclosure is subject to restrictions set forth in Contract No. GS-35F-05925.

---

# Contents

## Read this first: Important safety information . . . . . **v**

Before using this manual . . . . .	v
Service and upgrades . . . . .	v
Static electricity prevention . . . . .	vi
Power cords and power adapters . . . . .	vi
Extension cords and related devices . . . . .	vi
Plugs and outlets . . . . .	vii
External devices . . . . .	vii
Heat and product ventilation . . . . .	vii
Operating environment . . . . .	viii
Laser compliance statement . . . . .	viii
Power supply statement . . . . .	ix
Cleaning and maintenance . . . . .	ix

## Chapter 1. Product overview . . . . . **1**

Locations . . . . .	1
Locating connectors, controls, and indicators on the front of your computer . . . . .	2
Locating connectors on the rear of your computer . . . . .	2
Locating components . . . . .	6
Locating parts on the system board . . . . .	6
Locating internal drives . . . . .	10
Locating the machine type and model label . . . . .	11
Features . . . . .	11
Specifications . . . . .	15
Lenovo programs . . . . .	15
Accessing Lenovo programs on the Windows 7 operating system . . . . .	15
Accessing Lenovo programs on the Windows 8.1 operating system . . . . .	16
An introduction to Lenovo programs . . . . .	16

## Chapter 2. Using your computer . . . . . **19**

Registering your computer . . . . .	19
Using keyboard shortcuts . . . . .	19
Using the fingerprint reader . . . . .	20
Using the wheel mouse . . . . .	20
Managing power . . . . .	20
Advanced configuration and power interface (ACPI) BIOS . . . . .	21
Automatic Power-on features . . . . .	21
Setting the computer volume . . . . .	21
Setting the volume from the desktop . . . . .	21
Setting the volume from Control Panel . . . . .	22
Using a disc . . . . .	22
Using the optical drive . . . . .	22

Handling and storing a disc . . . . .	23
Playing and removing a disc . . . . .	23
Recording a disc . . . . .	23
Navigating among screens on the Windows 8.1 operating system . . . . .	24
Accessing Control Panel on the Windows 8.1 operating system . . . . .	25
Frequently asked questions . . . . .	25

## Chapter 3. You and your computer . . . . . **27**

Accessibility and comfort . . . . .	27
Arranging your workspace . . . . .	27
Comfort . . . . .	27
Glare and lighting . . . . .	28
Air circulation . . . . .	28
Electrical outlets and cable lengths . . . . .	28
Accessibility information . . . . .	28
Moving your computer to another country or region . . . . .	32

## Chapter 4. Security . . . . . **33**

Security features . . . . .	33
Locking the computer cover . . . . .	33
Attaching a Kensington-style cable lock . . . . .	35
Using passwords . . . . .	35
BIOS passwords . . . . .	35
Windows passwords . . . . .	36
Configuring the fingerprint reader . . . . .	36
Using and understanding firewalls . . . . .	36
Protecting data against viruses . . . . .	36

## Chapter 5. Advanced configuration . . . . . **37**

Using the Setup Utility program . . . . .	37
Starting the Setup Utility program . . . . .	37
Viewing and changing settings . . . . .	37
Using BIOS passwords . . . . .	38
Enabling or disabling a device . . . . .	39
Selecting a startup device . . . . .	40
Enabling ErP LPS compliance mode . . . . .	40
Exiting the Setup Utility program . . . . .	41
Updating or recovering the BIOS . . . . .	41
BIOS levels . . . . .	41
Using system programs . . . . .	42
Changing the BIOS settings before installing a new operating system . . . . .	42
Updating the BIOS from a disc . . . . .	42
Updating the BIOS from your operating system . . . . .	43

Recovering from a BIOS update failure . . . . .	44
Configuring RAID. . . . .	44
Configuring RAID with Intel RSTe. . . . .	44
Quick RAID setup using the LSI MegaRAID BIOS configuration utility . . . . .	47

## **Chapter 6. Preventing problems . . . . . 51**

Keeping your computer current . . . . .	51
Getting the latest device drivers for your computer . . . . .	51
Updating your operating system . . . . .	51
Using the System Update program . . . . .	52
Cleaning and maintenance . . . . .	52
Basics . . . . .	52
Cleaning your computer . . . . .	52
Good maintenance practices . . . . .	53
Moving your computer . . . . .	54

## **Chapter 7. Troubleshooting and diagnostics . . . . . 55**

Basic troubleshooting . . . . .	55
Troubleshooting procedure . . . . .	56
Troubleshooting . . . . .	56
Audio problems . . . . .	57
CD problems . . . . .	57
DVD problems . . . . .	58
Intermittent problems . . . . .	59
Hard disk drive problems. . . . .	59
Problems with the keyboard or mouse . . . . .	60
Monitor problems. . . . .	61
Networking problems . . . . .	62
I have connected an option to my computer, but it does not work . . . . .	63
Performance and lockup problems . . . . .	63
The printer does not work . . . . .	64
Serial connector cannot be accessed . . . . .	64
Software problems . . . . .	65
My USB connectors cannot be accessed . . . . .	65
Diagnostics . . . . .	65
Lenovo Solution Center . . . . .	66
Hardware diagnostics . . . . .	66

## **Chapter 8. Recovery information . . . . . 69**

Recovery information for the Windows 7 operating system. . . . .	69
Creating and using recovery media . . . . .	69
Performing backup and recovery operations . . . . .	70
Creating and using a rescue medium . . . . .	72
Reinstalling programs and device drivers . . . . .	72
Solving recovery problems . . . . .	74
Recovery information for the Windows 8.1 operating system. . . . .	74

Refreshing your computer . . . . .	74
Resetting your computer to the factory-default settings. . . . .	74
Using the advanced startup options . . . . .	75
Recovering your operating system if Windows 8.1 fails to start. . . . .	75

## **Chapter 9. Installing or replacing hardware . . . . . 77**

Handling static-sensitive devices . . . . .	77
Installing or replacing hardware . . . . .	77
Installing external options . . . . .	77
Removing the computer cover. . . . .	77
Removing and reinstalling the direct cooling air baffle . . . . .	78
Installing or replacing a device in the optical drive bay . . . . .	80
Removing and reinstalling the optical drive bracket . . . . .	83
Replacing the cover presence switch . . . . .	84
Replacing the front fan assembly . . . . .	86
Installing or replacing an internal storage drive . . . . .	87
Replacing the power supply assembly . . . . .	113
Installing or replacing a PCI card . . . . .	114
Installing or replacing a full-length PCI card . . . . .	117
Replacing the rear fan assembly . . . . .	120
Replacing the heat sink and fan assembly . . . . .	122
Installing or replacing a memory module. . . . .	124
Installing or replacing a flex adapter . . . . .	126
Replacing the battery . . . . .	128
Replacing the keyboard or mouse . . . . .	130
Completing the parts replacement . . . . .	130

## **Chapter 10. Getting information, help, and service . . . . . 133**

Information resources . . . . .	133
Lenovo ThinkVantage Tools . . . . .	133
Help and Support. . . . .	133
Safety and Warranty. . . . .	133
Lenovo Web site . . . . .	133
Lenovo Support Web site. . . . .	134
Help and service . . . . .	134
Using the documentation and diagnostic program . . . . .	134
Calling for service. . . . .	134
Using other services . . . . .	135
Purchasing additional services . . . . .	135

## **Chapter 11. System memory speed . . . . . 137**

<b>Appendix A. Regulatory information</b>	<b>139</b>
Export classification notice	139
Electronic emissions notices	139
Federal Communications Commission Declaration of Conformity	139
Eurasian compliance mark	141
Brazil regulatory notice	141
Mexico regulatory notice	141
Additional regulatory information	141

<b>Appendix B. WEEE and recycling information</b>	<b>143</b>
Important WEEE information	143
Recycling information for Japan	143
Recycling information for Brazil	144
Battery recycling information for Taiwan	144
Battery recycling information for the European Union	144

<b>Appendix C. Restriction of Hazardous Substances Directive (RoHS)</b>	<b>147</b>
European Union RoHS	147
China RoHS	147
Turkish RoHS	147
Ukraine RoHS	148
India RoHS	148

<b>Appendix D. ENERGY STAR model information</b>	<b>149</b>
--	------------

<b>Appendix E. Notices</b>	<b>151</b>
Trademarks	152

<b>Index</b>	<b>153</b>
--------------	------------



---

## Read this first: Important safety information

This chapter contains the safety information that you must be familiar with.

---

### Before using this manual

**CAUTION:**

**Before using this manual, be sure to read and understand all the related safety information for this product. Refer to the information in this section and the safety information in the *Safety, Warranty, and Setup Guide* that you received with this product. Reading and understanding this safety information reduces the risk of personal injury and damage to your product.**

If you no longer have a copy of the *Safety, Warranty, and Setup Guide*, you can obtain a Portable Document Format (PDF) version from the Lenovo® Support Web site at <http://www.lenovo.com/UserManuals>. The Lenovo Support Web site also provides the *Safety, Warranty, and Setup Guide* and this *User Guide* in additional languages.

---

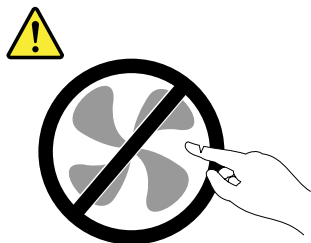
### Service and upgrades

Do not attempt to service a product yourself unless instructed to do so by the Customer Support Center or your documentation. Only use a Service Provider who is approved to repair your particular product.

**Note:** Some computer parts can be upgraded or replaced by the customer. Upgrades typically are referred to as options. Replacement parts approved for customer installation are referred to as Customer Replaceable Units, or CRUs. Lenovo provides documentation with instructions when it is appropriate for customers to install options or replace CRUs. You must closely follow all instructions when installing or replacing parts. The Off state of a power indicator does not necessarily mean that voltage levels inside a product are zero. Before you remove the covers from a product equipped with a power cord, always ensure that the power is turned off and that the product is unplugged from any power source. For more information on CRUs, refer to Chapter 9 “Installing or replacing hardware” on page 77. If you have any questions or concerns, contact the Customer Support Center.

Although there are no moving parts in your computer after the power cord has been disconnected, the following warnings are required for your safety.

**CAUTION:**



**Hazardous moving parts. Keep fingers and other body parts away.**

**CAUTION:**



**Before you open the computer cover, turn off the computer and wait several minutes until the computer is cool.**

---

## Static electricity prevention

Static electricity, although harmless to you, can seriously damage computer components and options. Improper handling of static-sensitive parts can cause damage to the part. When you unpack an option or CRU, do not open the static-protective package containing the part until the instructions direct you to install it.

When you handle options or CRUs, or perform any work inside the computer, take the following precautions to avoid static-electricity damage:

- Limit your movement. Movement can cause static electricity to build up around you.
- Always handle components carefully. Handle adapters, memory modules, and other circuit boards by the edges. Never touch exposed circuitry.
- Prevent others from touching components.
- When you install a static-sensitive option or CRU, touch the static-protective package containing the part to a metal expansion-slot cover or other unpainted metal surface on the computer for at least two seconds. This reduces static electricity in the package and your body.
- When possible, remove the static-sensitive part from the static-protective packaging and install the part without setting it down. When this is not possible, place the static-protective packaging on a smooth, level surface and place the part on it.
- Do not place the part on the computer cover or other metal surface.

---

## Power cords and power adapters

Use only the power cords and power adapters supplied by the product manufacturer.

The power cords shall be safety approved. For Germany, it shall be H05VV-F, 3G, 0.75 mm<sup>2</sup>, or better. For other countries, the suitable types shall be used accordingly.

Never wrap a power cord around a power adapter or other object. Doing so can stress the cord in ways that can cause the cord to fray, crack, or crimp. This can present a safety hazard.

Always route power cords so that they will not be walked on, tripped over, or pinched by objects.

Protect power cord and power adapters from liquids. For instance, do not leave your power cord or power adapter near sinks, tubs, toilets, or on floors that are cleaned with liquid cleansers. Liquids can cause a short circuit, particularly if the power cord or power adapter has been stressed by misuse. Liquids also can cause gradual corrosion of power cord terminals and/or the connector terminals on a power adapter, which can eventually result in overheating.

Ensure that all power cord connectors are securely and completely plugged into receptacles.

Do not use any power adapter that shows corrosion at the ac input pins or shows signs of overheating (such as deformed plastic) at the ac input or anywhere on the power adapter.

Do not use any power cords where the electrical contacts on either end show signs of corrosion or overheating or where the power cord appears to have been damaged in any way.

---

## Extension cords and related devices

Ensure that extension cords, surge protectors, uninterruptible power supplies, and power strips that you use are rated to handle the electrical requirements of the product. Never overload these devices. If power strips



are used, the load should not exceed the power strip input rating. Consult an electrician for more information if you have questions about power loads, power requirements, and input ratings.

---

## Plugs and outlets

If a receptacle (power outlet) that you intend to use with your computer equipment appears to be damaged or corroded, do not use the outlet until it is replaced by a qualified electrician.

Do not bend or modify the plug. If the plug is damaged, contact the manufacturer to obtain a replacement.

Do not share an electrical outlet with other home or commercial appliances that draw large amounts of electricity; otherwise, unstable voltage might damage your computer, data, or attached devices.

Some products are equipped with a three-pronged plug. This plug fits only into a grounded electrical outlet. This is a safety feature. Do not defeat this safety feature by trying to insert it into a non-grounded outlet. If you cannot insert the plug into the outlet, contact an electrician for an approved outlet adapter or to replace the outlet with one that enables this safety feature. Never overload an electrical outlet. The overall system load should not exceed 80 percent of the branch circuit rating. Consult an electrician for more information if you have questions about power loads and branch circuit ratings.

Be sure that the power outlet you are using is properly wired, easily accessible, and located close to the equipment. Do not fully extend power cords in a way that will stress the cords.

Be sure that the power outlet provides the correct voltage and current for the product you are installing.

Carefully connect and disconnect the equipment from the electrical outlet.

---

## External devices

Do not connect or disconnect any external device cables other than Universal Serial Bus (USB) cables while the computer power is on; otherwise, you might damage your computer. To avoid possible damage to attached devices, wait at least five seconds after the computer is shut down to disconnect external devices.

---

## Heat and product ventilation

Computers, power adapters, and many accessories can generate heat when turned on and when batteries are charging. Always follow these basic precautions:

- Do not leave your computer, power adapter, or accessories in contact with your lap or any part of your body for an extended period when the products are functioning or when the battery is charging. Your computer, power adapter, and many accessories produce some heat during normal operation. Extended contact with the body could cause discomfort or, potentially, a skin burn.
- Do not charge the battery or operate your computer, power adapter, or accessories near flammable materials or in explosive environments.
- Ventilation slots, fans, and heat sinks are provided with the product for safety, comfort, and reliable operation. These features might inadvertently become blocked by placing the product on a bed, sofa, carpet, or other flexible surface. Never block, cover, or disable these features.

Inspect your desktop computer for dust accumulation at least once every three months. Before inspecting your computer, turn off the power and unplug the computer's power cord from the electrical outlet; then remove any dust from vents and perforations in the bezel. If you notice external dust accumulation, then examine and remove dust from the inside of the computer including heat sink inlet fins, power supply vents, and fans. Always turn off and unplug the computer before opening the cover. If possible, avoid operating

your computer within two feet of high-traffic areas. If you must operate your computer in or near a high-traffic area, inspect and, if necessary, clean your computer more frequently.

For your safety and to maintain optimum computer performance, always follow these basic precautions with your desktop computer:

- Keep the cover closed whenever the computer is plugged in.
- Regularly inspect the outside of the computer for dust accumulation.
- Remove dust from vents and any perforations in the bezel. More frequent cleanings might be required for computers in dusty or high-traffic areas.
- Do not restrict or block any ventilation openings.
- Do not store or operate your computer inside furniture, as this might increase the risk of overheating.
- Airflow temperatures into the computer should not exceed 35°C (95°F).
- Do not install air filtration devices. They may interfere with proper cooling.

---

## Operating environment

The optimal environment in which to use your computer is 10°C–35°C (50°F–95°F) with humidity ranging between 35% and 80%. If your computer is stored or transported in temperatures less than 10°C (50°F), allow the cold computer to rise slowly to an optimal operating temperature of 10°C–35°C (50°F–95°F) before use. This process could take two hours in extreme conditions. Failure to allow your computer to rise to an optimal operating temperature before use could result in irreparable damage to your computer.

If possible, place your computer in a well-ventilated and dry area without direct exposure to sunshine.

Keep electrical appliances such as an electric fan, radio, high-powered speakers, air conditioner, and microwave oven away from your computer because the strong magnetic fields generated by these appliances can damage the monitor and data on the hard disk drive.

Do not place any beverages on top of or beside the computer or other attached devices. If liquid is spilled on or in the computer or an attached device, a short circuit or other damage might occur.

Do not eat or smoke over your keyboard. Particles that fall into your keyboard can cause damage.

---

## Laser compliance statement



### **CAUTION:**

**When laser products (such as CD-ROMs, DVD drives, fiber optic devices, or transmitters) are installed, note the following:**

- **Do not remove the covers. Removing the covers of the laser product could result in exposure to hazardous laser radiation. There are no serviceable parts inside the device.**
- **Use of controls or adjustments or performance of procedures other than those specified herein might result in hazardous radiation exposure.**



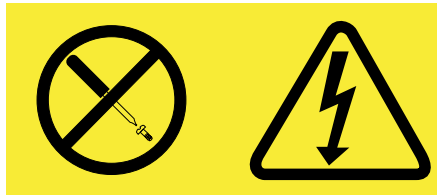
Some laser products contain an embedded Class 3A or Class 3B laser diode. Note the following:

Laser radiation when open. Do not stare into the beam, do not view directly with optical instruments, and avoid direct exposure to the beam.

---

## Power supply statement

Never remove the cover on a power supply or any part that has the following label attached.



Hazardous voltage, current, and energy levels are present inside any component that has this label attached. There are no serviceable parts inside these components. If you suspect a problem with one of these parts, contact a service technician.

---

## Cleaning and maintenance

Keep your computer and workspace clean. Shut down the computer and then disconnect the power cord before cleaning the computer. Do not spray any liquid detergent directly on the computer or use any detergent containing flammable material to clean the computer. Spray the detergent on a soft cloth and then wipe the computer surfaces.



---

## Chapter 1. Product overview

This chapter provides the following information:

- Locations of connectors
- Locations of components
- Locations of parts on the system board
- Locations of internal drives
- Computer features
- Software programs provided by Lenovo

---

### Locations

This section provides the following topics:

- “Locating connectors, controls, and indicators on the front of your computer” on page 2
- “Locating connectors on the rear of your computer” on page 2
- “Locating components” on page 6
- “Locating parts on the system board” on page 6
- “Locating internal drives” on page 10
- “Locating the machine type and model label” on page 11

**Note:** The components in your computer might look slightly different from the illustrations.

## Locating connectors, controls, and indicators on the front of your computer

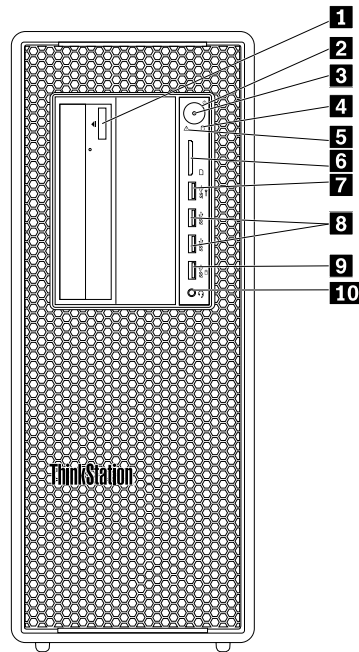


Figure 1. Front connector, control, and indicator locations

<b>1</b> Optical drive eject/close button (available on some models)	<b>2</b> Power button
<b>3</b> Power indicator	<b>4</b> Hard disk drive activity indicator
<b>5</b> Diagnostic indicator	<b>6</b> Secure Digital (SD) card reader slot
<b>7</b> Diagnostic Universal Serial Bus (USB) 3.0 connector	<b>8</b> USB 3.0 connectors (2)
<b>9</b> Always On USB 3.0 connector	<b>10</b> Headset connector

**Note:** The orientation of the ThinkStation® logo plate on the front of your computer is adjustable. When you lay the computer on its side, you can slightly pull out the logo plate, turn it 90° counterclockwise, and then push it back in.

## Locating connectors on the rear of your computer

Your ThinkStation computer comes with one of the following rear panels. Some connectors on the rear of your computer are color-coded to help you determine where to connect the cables on your computer.

## ThinkStation P500

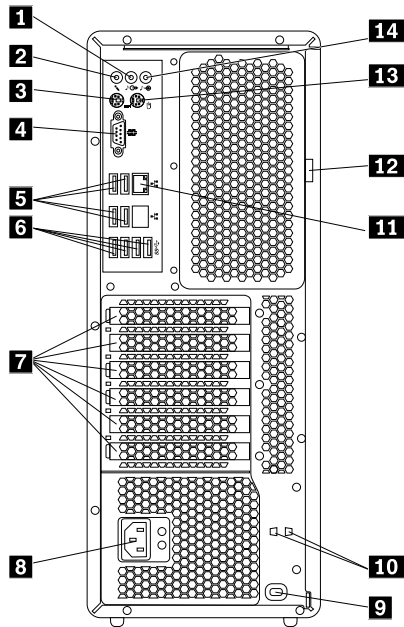


Figure 2. Rear connector locations

<b>1</b> Audio line-out connector	<b>2</b> Microphone connector
<b>3</b> Personal System/2 (PS/2) keyboard connector	<b>4</b> Serial connector
<b>5</b> USB 2.0 connectors (4)	<b>6</b> USB 3.0 connectors (4)
<b>7</b> PCI card area (PCI cards available vary by model)	<b>8</b> Power cord connector
<b>9</b> Security-lock slot	<b>10</b> Key-nest slots
<b>11</b> Ethernet connector	<b>12</b> Padlock loop
<b>13</b> PS/2 mouse connector	<b>14</b> Audio line-in connector

## ThinkStation P700

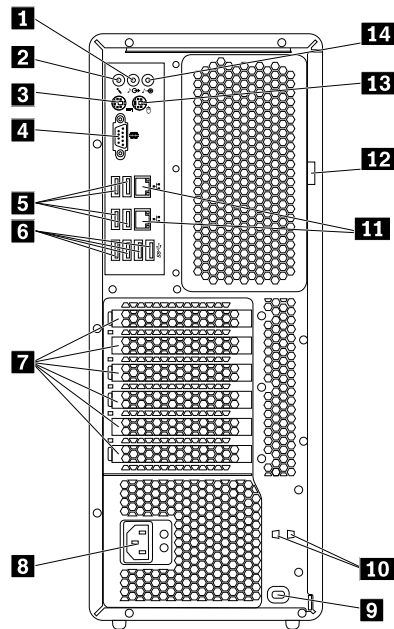


Figure 3. Rear connector locations

<b>1</b> Audio line-out connector	<b>2</b> Microphone connector
<b>3</b> PS/2 keyboard connector	<b>4</b> Serial connector
<b>5</b> USB 2.0 connectors (4)	<b>6</b> USB 3.0 connectors (4)
<b>7</b> PCI card area (PCI cards available vary by model)	<b>8</b> Power cord connector
<b>9</b> Security-lock slot	<b>10</b> Key-nest slots
<b>11</b> Ethernet connectors (2)	<b>12</b> Padlock loop
<b>13</b> PS/2 mouse connector	<b>14</b> Audio line-in connector

**Note:** For both ThinkStation P500 and ThinkStation P700 computers, one or more discrete graphics cards might be installed in the Peripheral Component Interconnect (PCI) card area. Depending on your computer model, the graphics cards might provide the following connectors:

- Digital Visual Interface (DVI) connector
- DisplayPort® connector
- Mini DisplayPort® connector

### Connector

### Description

Audio line-in connector

Used to receive audio signals from an external audio device, such as a stereo system. When you attach an external audio device, a cable is connected between the audio line-out connector of the device and the audio line-in connector of the computer.

Audio line-out connector

Used to send audio signals from the computer to external devices, such as powered stereo speakers (speakers with built-in amplifiers), headphones, multimedia keyboards, or the audio line-in connector on a stereo system or other external recording device.



Connector	Description
DisplayPort connector	Used to attach a high-performance monitor, a direct-drive monitor, or other devices that use a DisplayPort connector.
DVI monitor connector	Used to attach a DVI monitor or other devices that use a DVI monitor connector.
Ethernet connector	Used to attach an Ethernet cable for a local area network (LAN). <b>Note:</b> To operate the computer within FCC Class B limits, use a Category 5 Ethernet cable.
Microphone connector	Used to attach a microphone to your computer when you want to record sound or if you use speech-recognition software.
Mini DisplayPort connector	Used to attach a high-performance monitor, a direct-drive monitor, or other devices that use a mini DisplayPort connector. The mini DisplayPort connector is a miniaturized version of a DisplayPort connector.
PS/2 keyboard connector (optional)	Used to attach a keyboard that uses a PS/2 keyboard connector.
PS/2 mouse connector (optional)	Used to attach a mouse, a trackball, or other pointing devices that use a PS/2 mouse connector.
Serial connector	Used to attach an external modem, a serial printer, or other devices that use a 9-pin serial connector.
USB 2.0 connector	Used to attach a device that requires a USB 2.0 connection, such as a keyboard, a mouse, a scanner, a printer, or a personal digital assistant (PDA).
USB 3.0 connector	Used to attach a device that requires a USB 2.0 or 3.0 connection, such as a keyboard, a mouse, a scanner, a printer, or a PDA.

## Locating components

### Notes:

- Depending on the model, your computer might look slightly different from the illustration.
- To remove the computer cover, see “Removing the computer cover” on page 77.

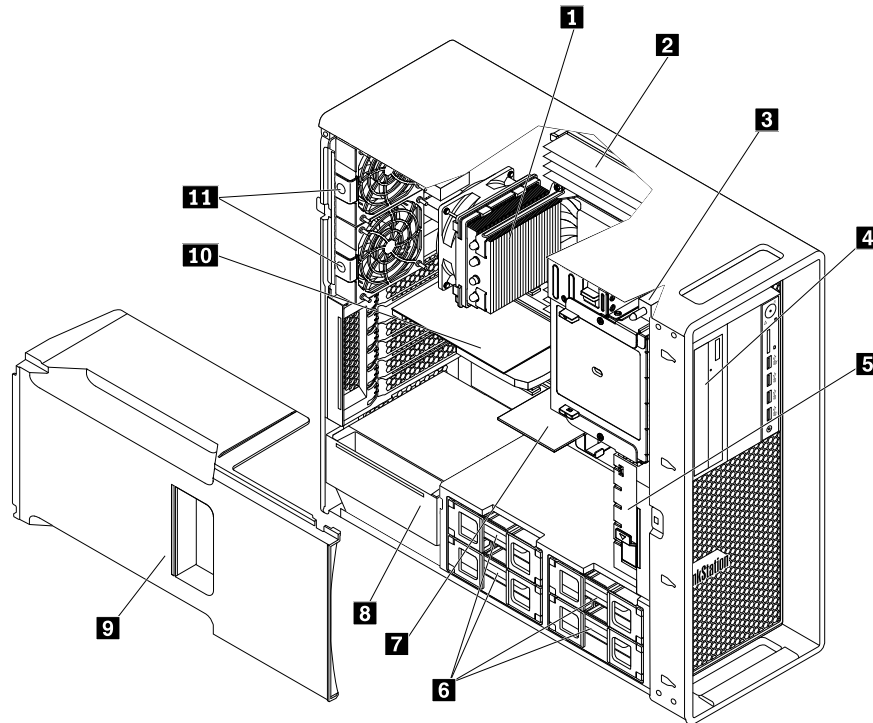


Figure 4. Component locations

<b>1</b> Heat sink and fan assemblies (amount varies by model)	<b>2</b> Memory modules (amount varies by model)
<b>3</b> Cover presence switch (also called intrusion switch)	<b>4</b> Optical drive, flex module, or front-access storage enclosure (amount and combination vary by model)
<b>5</b> Front fan assembly (available on some models)	<b>6</b> Hard disk drives, hybrid drives, or solid-state drives (amount and combination vary by model)
<b>7</b> Flex adapter (available on some models)	<b>8</b> Power supply module
<b>9</b> Direct cooling air baffle	<b>10</b> PCI card (available on some models)
<b>11</b> Rear fan assemblies	

## Locating parts on the system board

**Note:** Your computer comes with one of the following system boards.

## ThinkStation P500

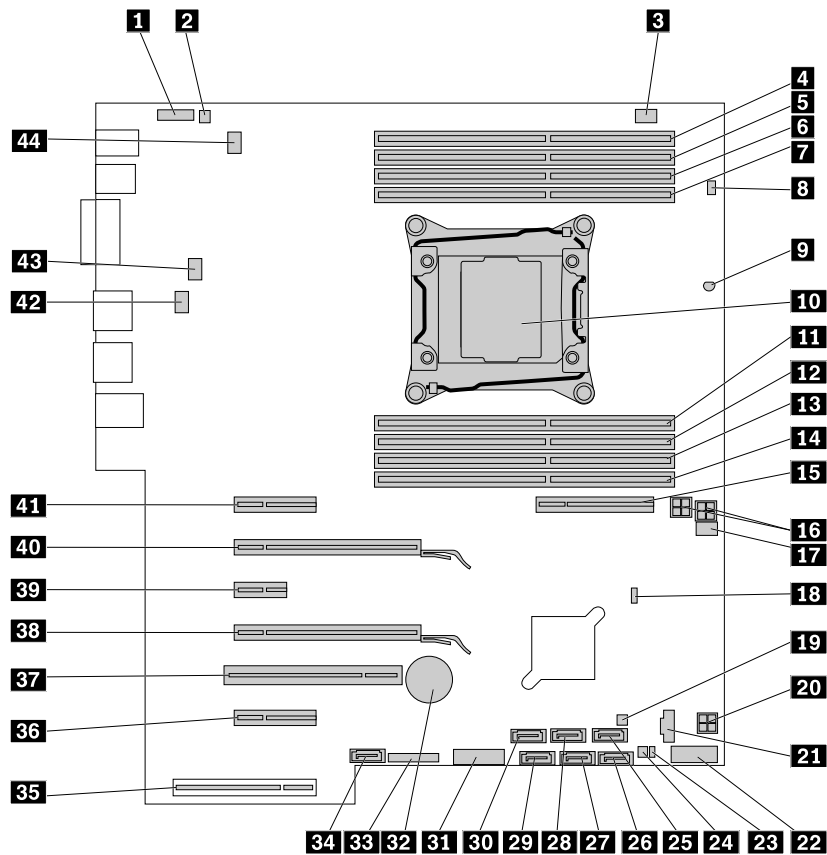


Figure 5. System board part locations

<b>1</b> Front audio connector	<b>2</b> Internal speaker connector
<b>3</b> Optical drive fan connector	<b>4</b> Memory slot
<b>5</b> Memory slot	<b>6</b> Memory slot
<b>7</b> Memory slot	<b>8</b> Cover presence switch connector (Intrusion switch connector)
<b>9</b> Thermal sensor	<b>10</b> Microprocessor
<b>11</b> Memory slot	<b>12</b> Memory slot
<b>13</b> Memory slot	<b>14</b> Memory slot
<b>15</b> Flex adapter slot	<b>16</b> 4-pin power connectors (2)
<b>17</b> Front fan connector	<b>18</b> Clear CMOS (Complementary Metal Oxide Semiconductor) /Recovery jumper
<b>19</b> Front-access storage enclosure control connector	<b>20</b> 4-pin power connector
<b>21</b> Thunderbolt™ connector	<b>22</b> Front USB connector
<b>23</b> Hard disk drive activity indicator connector (used only with a 9364 RAID card)	<b>24</b> Front-access storage enclosure control connector
<b>25</b> SATA 3.0 connector	<b>26</b> SATA 3.0 connector
<b>27</b> SATA 3.0 connector	<b>28</b> SATA 3.0 connector

<b>29</b> SATA 3.0 connector	<b>30</b> SATA 3.0 connector
<b>31</b> 29-in-1 card reader connector	<b>32</b> Battery
<b>33</b> Front panel connector	<b>34</b> eSATA connector
<b>35</b> Power supply connector	<b>36</b> PCI Express 2.0 x4 card slot
<b>37</b> PCI card slot	<b>38</b> PCI Express 3.0 x16 graphics card slot
<b>39</b> PCI Express 2.0 x1 slot	<b>40</b> PCI Express 3.0 x16 graphics card slot
<b>41</b> PCI Express 3.0 x4 card slot	<b>42</b> Rear fan connector
<b>43</b> Microprocessor fan connector	<b>44</b> Rear fan connector

**ThinkStation P700**

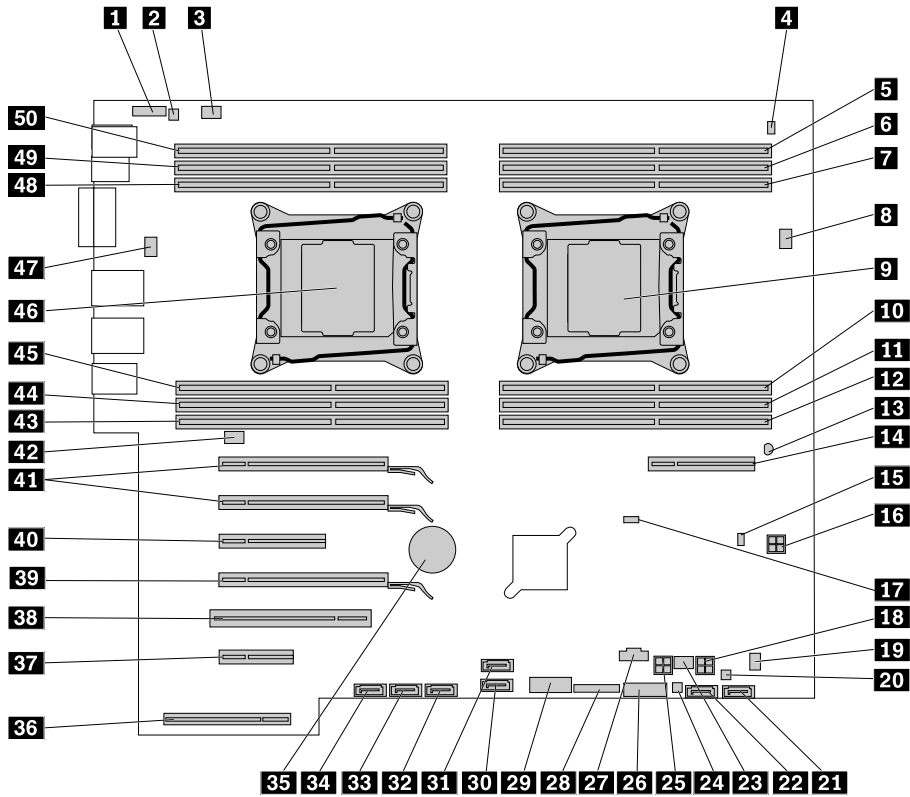


Figure 6. System board part locations

<b>1</b> Front audio connector	<b>2</b> Internal speaker connector
<b>3</b> Rear fan connector	<b>4</b> Cover presence switch connector (Intrusion switch connector) (available on some models)
<b>5</b> Memory slot	<b>6</b> Memory slot
<b>7</b> Memory slot	<b>8</b> Microprocessor fan connector 1
<b>9</b> Microprocessor 1	<b>10</b> Memory slot
<b>11</b> Memory slot	<b>12</b> Memory slot
<b>13</b> Thermal sensor	<b>14</b> Flex adapter slot

<b>15</b> Internal-storage-drive activity indicator connector (used only with a 9364 RAID card)	<b>16</b> 4-pin power connector
<b>17</b> Clear CMOS (Complementary Metal Oxide Semiconductor) /Recovery jumper	<b>18</b> 4-pin power connector
<b>19</b> Optical-drive fan connector	<b>20</b> Front-access storage enclosure control connector
<b>21</b> SATA 3.0 connector	<b>22</b> SATA 3.0 connector
<b>23</b> Front fan connector	<b>24</b> Front-access storage enclosure control connector
<b>25</b> 4-pin power connector	<b>26</b> 29-in-1 card reader connector
<b>27</b> Thunderbolt connector	<b>28</b> Front panel connector
<b>29</b> Front USB 3.0 connector	<b>30</b> SATA 3.0 connector
<b>31</b> eSATA connector	<b>32</b> SATA 3.0 connector
<b>33</b> SATA 3.0 connector	<b>34</b> SATA 3.0 connector
<b>35</b> Battery	<b>36</b> Power supply connector
<b>37</b> PCI Express 2.0 x4 card slot	<b>38</b> PCI card slot
<b>39</b> PCI Express 3.0 x16 graphics card slot	<b>40</b> PCI Express 3.0 x8 slot
<b>41</b> PCI Express 3.0 x16 graphics card slots (2)	<b>42</b> Rear fan connector
<b>43</b> Memory slot	<b>44</b> Memory slot
<b>45</b> Memory slot	<b>46</b> Microprocessor 2
<b>47</b> Microprocessor fan connector 2	<b>48</b> Memory slot
<b>49</b> Memory slot	<b>50</b> Memory slot

## Locating internal drives

Internal drives are devices that your computer uses to read and store data. You can add drives to your computer to increase storage capacity and enable your computer to read other types of media. Internal drives are installed in bays.

When you install or replace an internal drive, note the type and size of the drive that each bay supports and correctly connect the required cables. Refer to the appropriate section in “Installing or replacing hardware” on page 77 for instructions on how to install or replace internal drives for your computer.

The following illustration shows the locations of the drive bays.

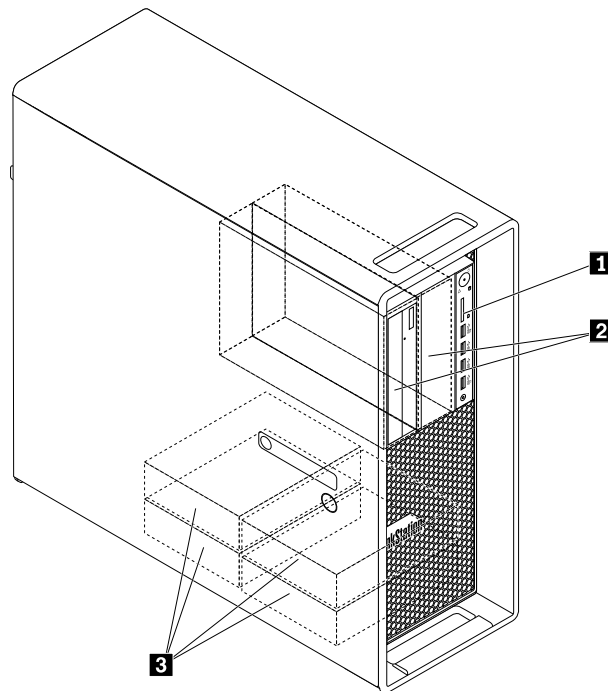


Figure 7. Drive bay locations

<b>1</b> Card reader (for an SD card)
<b>2</b> Optical drive bays (2) (for an optical drive, a flex module, or a front-access storage enclosure)
<b>3</b> Storage drive bays (4) (for a hard disk drive, a hybrid drive, or a solid-state drive)

## Locating the machine type and model label

The machine type and model label identifies your computer. When you contact Lenovo for help, the machine type and model information helps support technicians to identify your computer and provide faster service.

The machine type and model label is attached on the front of your computer as shown.

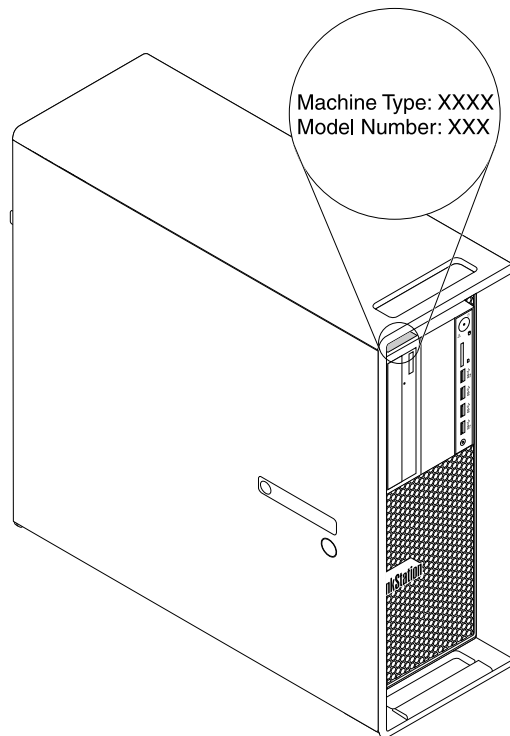


Figure 8. Machine type and model label

---

## Features

This section introduces the computer features. The information covers a variety of models.

### Microprocessor

To view the microprocessor information of your computer, do the following:

- On the Microsoft® Windows® 7 operation system, click **Start**, right-click **Computer**, and select **Properties** to view the information.
- On the Microsoft Windows 8.1 operating system, go to the desktop and move your pointer to the top-right or bottom-right corner of the screen to display the charms. Then click **Settings → PC info** to view the information.

### Memory

- For ThinkStation P500: Up to eight double data rate 4 (DDR4) error correction code (ECC) unbuffered dual inline memory modules (UDIMMs), DDR4 ECC registered DIMMs (RDIMMs), or DDR4 ECC load-reduced DIMMs (LRDIMMs)
- For ThinkStation P700: Up to 12 DDR4 ECC UDIMMs, DDR4 ECC RDIMMs, or DDR4 ECC LRDIMMs

To determine the amount of memory installed on your computer, do the following:

- On the Microsoft Windows 7 operation system, click **Start**, right-click **Computer**, and select **Properties** to view the information.
- On the Microsoft Windows 8.1 operating system, go to the desktop and move your pointer to the top-right or bottom-right corner of the screen to display the charms. Then click **Settings** → **PC info** to view the information.

For more information, see “Installing or replacing a memory module” on page 124.

### **Internal drives**

- Card reader
- Hard disk drive
- Hybrid drive (available on some models)
- Optical drive (available on some models)
- Solid-state drive (available on some models)

### **Video features**

- PCI Express x16 graphics card slots on the system board for a discrete graphics card
- Video connectors on a discrete graphics card:
  - DVI connector (available on some models)
  - DisplayPort connector (available on some models)
  - Mini DisplayPort connector (available on some models)

### **Audio features**

- Integrated audio controller supports the following connectors and devices on your computer:
  - Audio line-in connector
  - Audio line-out connector
  - Headset connector
  - Internal speaker
  - Microphone connectors

### **Input/Output (I/O) features**

- 100/1000 Mbps Ethernet connector
- 9-pin serial connector
- Audio connectors (audio line-in connector, audio line-out connector, microphone connector, and headset connector)
- Display connectors (DisplayPort connector, DVI connector, and Mini DisplayPort connector) (vary by graphics card)
- PS/2 keyboard connector
- PS/2 mouse connector
- USB connectors

For more information, see “Locating connectors, controls, and indicators on the front of your computer” on page 2 and “Locating connectors on the rear of your computer” on page 2.

### **Expansion**

- Card reader slot



- Hard disk drive bays
- Flex adapter slot
- Memory slots
- Optical drive bays
- PCI card slot
- PCI Express x1 card slot (available on ThinkStation P500 only)
- PCI Express x4 card slots
- PCI Express x8 card slots
- PCI Express x16 graphics card slots

For more information, see “Locating internal drives” on page 10 and “Locating parts on the system board” on page 6.

### **Power supply**

Your computer comes with one of the following power supplies:

- 490-watt automatic voltage-sensing power supply
- 650-watt automatic voltage-sensing power supply
- 850-watt automatic voltage-sensing power supply

### **System management features**

- Ability to store power-on self-test (POST) hardware test results
- Desktop Management Interface (DMI)

Desktop Management Interface provides a common path for users to access information about all aspects of a computer, including processor type, installation date, attached printers and other peripherals, power sources, and maintenance history.

- ErP LPS compliance mode

The energy-related products directive (ErP) lowest power state (LPS) compliance mode reduces the consumption of electricity when your computer is in sleep or off mode. For more information, see “Enabling ErP LPS compliance mode” on page 40.

- Intel® Standard Manageability (ISM)

Intel Standard Manageability is hardware and firmware technology that builds certain functionality into computers in order to make them easier and less expensive for businesses to monitor, maintain, update, upgrade, and repair.

- Intel Active Management Technology (AMT)

Intel Active Management Technology is a hardware and firmware technology that builds certain functionality into computers in order to make them easier and less expensive for businesses to monitor, maintain, update, upgrade, and repair.

- Intel Rapid Storage Technology enterprise (RSTe)

Intel RSTe is a device driver that provides support for SATA or SAS Redundant Array of Independent Disks (RAID) 0, 1, 5, and 10 arrays on specific Intel chipset system boards to enhance hard disk drive performance.

- Preboot Execution Environment (PXE)

The Preboot Execution Environment is an environment to start computers using a network interface independent of data storage devices (such as the hard disk drive) or installed operating systems.

- System Management (SM) Basic Input/Output System (BIOS) and SM software

The SM BIOS specification defines data structures and access methods in a BIOS that allows a user or application to store and retrieve information specific about the computer in question.

- Wake on LAN

Wake on LAN is an Ethernet computer networking standard that allows a computer to be turned on or woken up by a network message. The message is usually sent by a program running on another computer on the same local area network.

- Windows Management Instrumentation (WMI)

Windows Management Instrumentation is a set of extensions to the Windows Driver Model. It provides an operating system interface through which instrumented components provide information and notification.

### **Security features**

- Ability to enable and disable a device
- Ability to enable and disable USB connectors individually
- Computrace Agent software embedded in firmware
- Cover presence switch (also called intrusion switch)
- Keyboard with fingerprint reader (shipped with some models)
- Power-on Password (POP), administrator password, and Hard Disk Password to deter unauthorized use of your computer
- Startup sequence control
- Startup without keyboard or mouse
- Support for a Kensington-style cable lock
- Support for a padlock
- Trusted Platform Module (TPM)

For more information, see Chapter 4 “Security” on page 33.

### **Preinstalled operating system**

Your computer is preinstalled with one of the following operating systems:

- Windows 7
- Windows 8.1

### **Operating system(s), certified or tested for compatibility (varies by model type)**

The operating system(s) listed here are being certified or tested for compatibility at the time this publication goes to press. Additional operating systems might be identified by Lenovo as compatible with your computer following the publication of this manual. This list is subject to change. To determine if an operating system has been certified or tested for compatibility, check the Web site of the operating system vendor.

- Linux®

---

## Specifications

This section lists the physical specifications for your computer.

### Dimensions

Width: 175 mm (6.89 inches)

Height: 446 mm (17.56 inches)

Depth: 485 mm (19.09 inches)

### Weight

Maximum configuration as shipped: 24 kg (52.91 lb)

### Environment

- Air temperature:

Operating: From 10°C (50°F) to 35°C (95°F)

Storage in original shipping package: From -40°C (-40°F) to 60°C (140°F)

Storage without package: From -10°C (14°F) to 60°C (140°F)

- Humidity:

Operating: 20%–80% (non-condensing)

Storage: 20%–90% (non-condensing)

- Altitude:

Operating: From -15.2 m (-50 ft) to 3048 m (10 000 ft)

Storage: From -15.2 m (-50 ft) to 10 668 m (35 000 ft)

### Electrical input

Input voltage: From 100 V ac to 240 V ac

Input frequency: 50/60 Hz

---

## Lenovo programs

Your computer comes with Lenovo programs to help you work more easily and securely. Depending on the Windows operating system preinstalled, the programs might vary.

### Accessing Lenovo programs on the Windows 7 operating system

You can access Lenovo programs on the Windows 7 operating system through Windows Search or from Control Panel. The icon name displayed in the search result or Control Panel might be different from the program name. You can find the program by its program name or icon name as shown in the *Lenovo programs available on the Windows 7 operating system* table.

**Note:** If you do not find the program you need, open the Lenovo ThinkVantage® Tools program to find the dimmed icon for the program. Then double-click the icon to install the program.

#### To access Lenovo programs through Windows Search, do the following:

1. Click the **Start** button and then type the program name or the icon name into the search box.
2. Locate the program by the program name or the icon name and then click the program to launch it.

#### To access Lenovo programs from Control Panel, do the following:

**Note:** Some Lenovo programs might not be displayed in Control Panel. To find these programs, use Windows Search.

1. Click **Start** → **Control Panel**. Change the view of Control Panel from Category to Large icons or Small icons.
2. Locate the program by the icon name and then click the program to launch it.

The following table lists the programs available on the Windows 7 operating system.



**Note:** Depending on your computer model, some of the Lenovo programs might not be available.

Table 1. Lenovo programs available on the Windows 7 operating system

Program name	Icon name
Fingerprint Manager Pro or ThinkVantage Fingerprint Software	Lenovo - Fingerprint Manager Pro or Lenovo - Fingerprint Reader
Lenovo Performance Tuner	ThinkStation Performance
Lenovo Reach	Lenovo Reach
Lenovo SHAREit	Lenovo SHAREit
Lenovo Solution Center	Lenovo - System Health and Diagnostics
Lenovo ThinkVantage Tools	Lenovo Thinkvantage Tools
Recovery Media	Lenovo - Factory Recovery Disks or Create Recovery Media
Rescue and Recovery®	Lenovo - Enhanced Backup and Restore
System Update	Lenovo - Update and Drivers

## Accessing Lenovo programs on the Windows 8.1 operating system

If your computer is preinstalled with the Windows 8.1 operating system, you can access Lenovo programs by doing the following:

Press the Windows key  to go to the Start screen. Click a Lenovo program to launch it. If you cannot find the program you need, click the arrow icon  in the bottom-left corner of the screen to go to the Apps screen. Find the desired program in the apps list or search for it in the search box in the top-right corner of the screen.

Depending on your computer model, your computer supports some of the following Lenovo programs:

- Fingerprint Manager Pro or ThinkVantage Fingerprint Software
- Lenovo Companion
- Lenovo Performance Tuner
- Lenovo Reach
- Lenovo SHAREit
- Lenovo Solution Center
- Lenovo Support
- Lenovo Tools
- System Update

## An introduction to Lenovo programs

This topic provides a brief introduction to some Lenovo programs.

**Note:** Depending on your computer model, some of the programs might not be available.

- **Fingerprint Manager Pro or ThinkVantage Fingerprint Software (Windows 7 and Windows 8.1)**

The integrated fingerprint reader provided on some keyboards enables you to enroll your fingerprint and associate it with your power-on password, hard disk password, and Windows password. As a result, fingerprint authentication can replace passwords and enable simple and secure user access. A fingerprint reader keyboard is available with select computers or can be purchased for computers that support this option.

- **Lenovo Companion (Windows 8.1)**

Through the Lenovo Companion program, you can get information about accessories for your computer, view blogs and articles about your computer, and learn about other recommended programs.

- **Lenovo Performance Tuner (Windows 7 and Windows 8.1)**

Use the Lenovo Performance Tuner program to enhance the performance of your computer when computer-aided design (CAD) apps are running. Through Lenovo Performance Tuner, you can monitor the utilization of your computer hardware and software. Then according to the status, you can tune some settings of the graphics-card driver, microprocessor affinity, operating system, and processes priority to enhance the performance. Lenovo Performance Tuner enables you to work faster and smoother when using CAD apps.

- **Lenovo Reach (Windows 7 and Windows 8.1)**

Use the Lenovo Reach program to enhance your cloud experience. Lenovo Reach keeps you connected at all times and enables you to access all your favorite items from personal computers, smartphones, or tablets. As a result, you can access, edit, and share your files from anywhere. With Lenovo Reach, you also can add your favorite Web services to your cloud desktop and stay logged-in to Web sites with the cloud password manager.

- **Lenovo SHAREit (Windows 7 and Windows 8.1)**

The Lenovo SHAREit program provides a quick and easy way to share files and folders among computers, smartphones, tablets, or smart TVs with the Android or the Windows operating system installed. SHAREit uses any type of network or even no network at all to share files and folders.

- **Lenovo Solution Center (Windows 7 and Windows 8.1)**

The Lenovo Solution Center program enables you to troubleshoot and resolve computer problems. It combines diagnostic tests, system information collection, security status, and support information, along with hints and tips for maximum system performance.

- **Lenovo Support (Windows 8.1)**

The Lenovo Support program enables you to register your computer with Lenovo and check the computer health condition and battery status. The program also enables you to download and view user manuals for your computer, get the warranty information, and explore help and support information.

- **Lenovo ThinkVantage Tools (Windows 7)**

The Lenovo ThinkVantage Tools program provides easy access to various tools to help you work more easily and securely.

- **Lenovo Tools (Windows 8.1)**

The Lenovo Tools program guides you to a host of information sources and provides easy access to various tools to help you work more easily and securely.

- **Recovery Media (Windows 7)**

The Recovery Media program enables you to restore the contents of the hard disk drive to the factory-default settings.

- **Rescue and Recovery (Windows 7)**

The Rescue and Recovery program is a one-button recovery and restore solution. It includes a set of self-recovery tools to help you diagnose computer problems, get help, and recover from system crashes, even if you cannot start the Windows operating system.

- **System Update (Windows 7 and Windows 8.1)**

The System Update program helps you keep the software on your computer up-to-date by downloading and installing software update packages. Examples of these software update packages include Lenovo programs, device drivers, UEFI BIOS updates, and other third-party programs.

---

## Chapter 2. Using your computer

This chapter provides information about the following topics:

- “Registering your computer” on page 19
- “Using keyboard shortcuts” on page 19
- “Using the fingerprint reader” on page 20
- “Using the wheel mouse” on page 20
- “Setting the computer volume” on page 21
- “Using a disc” on page 22
- “Navigating among screens on the Windows 8.1 operating system” on page 24
- “Accessing Control Panel on the Windows 8.1 operating system” on page 25
- “Frequently asked questions” on page 25

---

### Registering your computer

When you register your computer, information is entered into a database, which enables Lenovo to contact you in case of a recall or other severe problem. After you register your computer with Lenovo, you will receive quicker service when you call Lenovo for help. In addition, some locations offer extended privileges and services to registered users.

To register your computer with Lenovo, do one of the following:

- Go to <http://www.lenovo.com/register> and follow the instructions on the screen to register your computer.
- Register your computer through a preinstalled registration program with your computer connected to the Internet:
  - For Windows 7: The preinstalled Lenovo Product Registration program launches automatically after you have used your computer for a time. Follow the instructions on the screen to register your computer.
  - For Windows 8.1: Open the Lenovo Support program. Then, click **Registration** and follow the instructions on the screen to register your computer.

**Note:** For detailed information on how to open the Lenovo Support program on Windows 8.1, see “Accessing Lenovo programs on the Windows 8.1 operating system” on page 16.

---

### Using keyboard shortcuts

Depending on the model, your computer comes with either a standard keyboard or a fingerprint-reader keyboard. The Microsoft Windows keyboard shortcuts are provided on both types of keyboards.

A keyboard shortcut is one key or combination of multiple keys. Through keyboard shortcuts, you can perform tasks that would typically require a mouse or other pointing devices. Keyboard shortcuts provide an easier alternative to interact with your computer as you work with the Windows operating system and most applications.

For more information about the keyboard shortcuts, go to <http://windows.microsoft.com/>, and then type any of the following keywords for searching: keyboard shortcuts, key combinations, shortcut keys.

---

## Using the fingerprint reader

The integrated fingerprint reader provided on some keyboards enables you to enroll your fingerprint and associate it with your power-on password, hard disk password, and Windows password. As a result, fingerprint authentication can replace passwords and enable simple and secure user access. A fingerprint reader keyboard is available with select computers or can be purchased for computers that support this option.

To open Fingerprint Manager Pro or ThinkVantage Fingerprint Software and use the fingerprint reader, do the following:

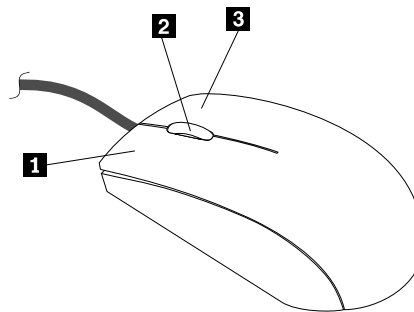
- On the Windows 7 operating system, see “Accessing Lenovo programs on the Windows 7 operating system” on page 15.
- On the Windows 8.1 operating system, see “Accessing Lenovo programs on the Windows 8.1 operating system” on page 16.

Follow the on-screen instruction. For more information about using the fingerprint reader, refer to the help system of Fingerprint Manager Pro or ThinkVantage Fingerprint Software.

---

## Using the wheel mouse

The wheel mouse has the following controls:



- 1** Primary mouse button: Use this button to select or start a program or menu item.
- 2** Wheel: Use the wheel to control the scrolling action of the mouse. The direction in which you rotate the wheel controls the direction of the scrolling action.
- 3** Secondary mouse button: Use this button to display a menu for the active program, icon, or object.

You can view and change the settings of your mouse by doing the following:

1. On the Windows 7 operating system, click **Start → Control Panel → Hardware and Sound**. On the Windows 8.1 operating system, open Control Panel and click **Hardware and Sound**.

**Note:** For detailed information on how to open Control Panel on Windows 8.1, see “Accessing Control Panel on the Windows 8.1 operating system” on page 25.

2. In the **Devices and Printers** section, click **Mouse** to view and change the settings.

---

## Managing power

Power management reduces the power consumption of certain components of the computer such as the system power supply, processor, hard disk drives, and some monitors.



## Advanced configuration and power interface (ACPI) BIOS

Being an ACPI BIOS system, the operating system is allowed to control the power management features of the computer and the setting for Advanced Power Management (APM) BIOS mode is ignored. Not all operating systems support ACPI BIOS mode.

### Automatic Power-on features

The Automatic Power-On features within the Power Management menu allow you to enable and disable features that turn on the computer automatically.

- **Wake Up on Alarm:** You can specify a date and time at which the computer will be turned on automatically. This can be either a single event or a daily event.
- **Wake on LAN:** If the computer has a properly configured token-ring or Ethernet LAN adapter card that is Wake on LAN-enabled and there is remote network management software, you can use the Wake on LAN feature. When you set Wake on LAN to **Enabled**, the computer will turn on when it receives a specific signal from another computer on the local area network (LAN).

To enable the Wake on LAN function or the Wake Up on Alarm function on the Windows 8.1 operating system, do the following:

1. Open Control Panel.
2. Click **Hardware and Sound → Power Options**.
3. In the left panel, click **Choose what the power button does**.
4. In the **Shutdown setting** section, clear **Turn on fast startup**.

**Note:** If the settings are unavailable, click **Change settings that are currently unavailable**.

5. Click **Save changes**.

---

## Setting the computer volume

An audio controller is built into the computer system board to support the audio connectors on your computer. See “Audio features” on page 12. Your computer might also have a high-performance audio card. The audio card enables you to enjoy sound with multimedia applications, record and play back sound, and work with speech-recognition software. The connectors on the audio card vary by audio card.

This section provides instructions on how to set the computer volume from the desktop and Control Panel.

### Setting the volume from the desktop

To set the computer volume from the desktop, do the following:

1. Click the volume icon on the taskbar. You can locate the taskbar at the bottom-right corner of the desktop.
2. Move the slider up to increase or down to decrease the volume. Click the mute-speaker icon to turn off the audio.

If the volume icon is not on the taskbar, add the volume icon to the taskbar. To add the volume icon, do the following:

- For Windows 7:
  1. From the Windows desktop, click **Start → Control Panel → Appearance and Personalization**.
  2. In the **Taskbar and Start Menu** section, click **Customize icons on the taskbar**.
  3. Click **Turn system icons on or off** and change the volume behaviors from **Off** to **On**.

4. Click **OK** to save the new settings.
- For Windows 8.1:
    1. Open Control Panel, and click **Appearance and Personalization**.

**Note:** For detailed information on how to open Control Panel on Windows 8.1, see “Accessing Control Panel on the Windows 8.1 operating system” on page 25.
    2. In the **Taskbar and Navigation** section, click **Customize icons on the taskbar**.
    3. Click **Turn system icons on or off** and change the volume behavior from **Off** to **On**.
    4. Click **OK** to save the new settings.

## Setting the volume from Control Panel

To set the computer volume from Control Panel, do the following:

1. On the Windows 7 operating system, click **Start → Control Panel → Hardware and Sound**. On the Windows 8.1 operating system, open Control Panel and click **Hardware and Sound**.

**Note:** For detailed information on how to open Control Panel on Windows 8.1, see “Accessing Control Panel on the Windows 8.1 operating system” on page 25.

2. In the **Sound** section, click **Adjust system volume**.
3. Move the slider up to increase or down to decrease the volume.

---

## Using a disc

This section provides information about the following topics:

- “Using the optical drive” on page 22
- “Handling and storing a disc” on page 23
- “Playing and removing a disc” on page 23
- “Recording a disc” on page 23

## Using the optical drive

Depending on the model, your computer is equipped with one of the following optical drives:

- CD-ROM drive: Used to read CDs only.
- DVD-ROM drive: Used to read DVDs and CDs.
- BD-ROM drive: Used to read blu-ray discs (BDs), DVDs, and CDs.
- Recordable optical drive: Used to read and record a disc.

When using the optical drive, follow these guidelines:

- Do not place the computer in a location where the drive is exposed to any of the following conditions:
  - High temperature
  - High humidity
  - Excessive dust
  - Excessive vibration or sudden shock
  - An inclined surface
  - Direct sunlight
- Do not insert any object other than a disc into the drive.

- Do not insert damaged discs into the drive. Warped, scratched, or dirty discs can damage the drive.
- Before moving the computer, remove the disc from the drive.

## Handling and storing a disc

When handling and storing a disc, follow these guidelines:

- Hold the disc by its edges. Do not touch the surface of the side that is not labeled.
- To remove dust or fingerprints, wipe the disc with a clean, soft cloth from the center to the outside. Wiping the disc in a circular direction might cause loss of data.
- Do not write or stick paper on the disc.
- Do not scratch or mark the disc.
- Do not place or store the disc in direct sunlight.
- Do not use benzene, thinners, or other cleaners to clean the disc.
- Do not drop or bend the disc.

## Playing and removing a disc

To play a disc, do the following:

1. With the computer on, press the eject/close button on the front of the optical drive. The tray slides out of the drive.
2. Insert a disc into the tray. Some optical drive has a snap hub in the center of the tray. If your drive has a snap hub, support the tray with one hand and then push center of the disc until it snaps into place.
3. Press the eject/close button again or gently push the tray forward to close the tray. The disc player program starts automatically. For more information, refer to the help system of the disc player program.

To remove a disc from the optical drive, do the following:

1. With the computer on, press the eject/close button on the front of the optical drive. The tray slides out of the drive.
2. Carefully remove the disc from the tray.
3. Press the eject/close button again or gently push the tray forward to close the tray.


**Note:** If the tray does not slide out of the drive when you press the eject/close button, turn off your computer. Then, insert a straightened paper clip into the emergency-eject hole adjacent to the eject/close button. Use the emergency eject only in an emergency.

## Recording a disc

If your computer is installed with a recordable optical drive, you can use the drive to record a disc.

To record a disc, do the following:








- On the Windows 7 operating system, use either the Corel DVD MovieFactory Lenovo Edition program or the Power2Go program installed on your computer.
  - To run the Corel DVD MovieFactory Lenovo Edition program, click **Start → All Programs → Corel DVD MovieFactory Lenovo Edition → Corel DVD MovieFactory Lenovo Edition**. Follow the instructions on the screen.
  - To run the Power2Go program, click **Start → All Programs → PowerDVD Create → Power2Go**. Follow the instructions on the screen.
- On the Windows 8.1 operating system, run the Power2Go program by doing the following:

1. On the Start screen, click the down arrow  in the bottom-left corner to go to the Apps screen. Then type Power2Go in the search box in the top-right corner of the screen.
2. Click **Power2Go** in the search result to open the program.
3. Follow the instructions on the screen.

---


## Navigating among screens on the Windows 8.1 operating system

To navigate among the desktop, the Start screen, and applications opened from the Start screen on the Windows 8.1 operating system, do one of the following:

- From the Start screen, do one of the following to navigate to the most recently accessed workspace (application, setting, or desktop):
  - Using a pointing device: Move the pointer to the extreme bottom-left corner of the screen until the Windows screen-control icon  is displayed; then click the icon.
  - Using a touch screen: Swipe in and out on the left edge of the screen. Representations of all available workspaces are displayed along the left edge of the screen. Tap the Windows screen-control icon  at the bottom.
- **Note:** The Windows screen-control icon  is displayed only when you have at least one active workspace in the background of the system.
- From the desktop or any other workspace that is opened from the Start screen, do one of the following to navigate to the Start screen:
  - Using a pointing device:
    - From the desktop, click the Windows screen-control icon  in the bottom-left corner of the screen.
    - From any other workspace, move the pointer to the extreme bottom-left corner of the screen until the Windows screen-control icon  is displayed; then click the icon.
  - Using a touch screen: Do one of the following:
    - From the desktop, tap the Windows screen-control icon  in the bottom-left corner of the screen.
    - From any other workspace, do one of the following:
      - Swipe in and out on the left edge of the screen. Representations of all available workspaces are displayed along the left edge of the screen. Tap the Windows screen-control icon  at the bottom.
      - Swipe in from the right edge of the screen to display the charms; then tap **Start**.
- From any workspace (Start screen, desktop, PC settings, or application opened from the Start screen), go to another previously-opened workspace using any of the following procedures:
  - To navigate to a previously accessed workspace (application, setting, or desktop), do one of the following:
    - Using a pointing device:
      1. Do one of the following:
        - Move the pointer to the extreme top-left corner of the screen and then move the pointer downward along the left edge of the screen.
        - Move the pointer to the extreme bottom-left corner of the screen and then move the pointer upward along the left edge of the screen.

Representations of all available workspaces are displayed along the left edge of the screen.

**Note:** Only active workspaces that you have accessed during the current Windows session are displayed along the left edge. If you close an active workspace, its representation will not be displayed along the left edge of the screen.


2. Click the representation.
- Using a touch screen:
    - Method 1
      1. Swipe in and out on the left edge of the screen. Representations of all available workspaces are displayed along the left edge of the screen.
      2. Tap the desired workspace.
    - Method 2
      1. Swipe in from the left edge of the screen to navigate to the next available workspace.
      2. Repeat step 1 until you navigate to the desired workspace.
  - To navigate to the most recently accessed workspace (application, PC settings, or desktop), do one of the following:
    - Using a pointing device: Move the pointer to the extreme top-left corner of the screen until the Windows screen-control icon  is displayed; then click the icon.
    - Using a touch screen: Swipe in from the left edge of the screen.

For information about using other features of the Windows 8.1 operating system, open the **Help+Tips** application from the Start screen or Apps screen. Alternatively, refer to the Windows Help and Support information system. For more information, see “Help and Support” on page 133.

---

## Accessing Control Panel on the Windows 8.1 operating system

On the Windows operating system, you can view and change computer settings through Control Panel. To access Control Panel on the Windows 8.1 operating system, do one of the following:

- From the desktop
  1. Move the pointer to the top-right or bottom-right corner of the screen to display the charms.
  2. Click **Settings**.
  3. Click **Control Panel**.
- From the Start screen
  1. Click the down arrow  in the bottom-left corner of the screen to go to the Apps screen.
  2. Scroll to the right side, and click **Control Panel** in the **Windows System** section.

---

## Frequently asked questions

The following are some of the frequently asked questions and their answers. The answers can help you optimize the use of your computer.

For the answers to more frequently asked questions about using your computer, go to:  
<http://www.lenovo.com/support/faq>

### How can I get my user guide in another language?

The user guide is available in various languages at:  
<http://www.lenovo.com/UserManuals>

## How can I restore my computer settings?

Your computer provides a program that enables you to restore the computer settings. For more information, see Chapter 8 “Recovery information” on page 69.

Additionally, in case of a hard-disk-drive failure, you can order a recovery disc set from the Lenovo Customer Support Center. For information about contacting the Customer Support Center, see Chapter 10 “Getting information, help, and service” on page 133. Before using the recovery disc set, refer to the documentation that comes with the disc set.

**Note:** A recovery disc set might contain multiple discs. Ensure that you have all of the discs ready before starting the recovery process. During the recovery process, you might be prompted to change discs.

## Where can I find help about the Windows operating system?

The Windows Help and Support information system provides you with detailed information about using the Windows operating system. To access the Windows Help and Support information system, do one of the following:

- On the Windows 7 operating system, click **Start → Help and Support**.
- On the Windows 8.1 operating system, move your pointer to the top-right or bottom-right corner of the screen to display the charms. Then click **Settings → Help**. Additionally, the Windows 8.1 operating system provides a **Help+Tips** application that you can open from the Start screen or Apps screen.

## How can I change the Windows 8.1 startup behavior to open either the desktop or the Start screen?

On the Windows 8.1 operating system, you can set the computer to open either the desktop or the Start screen by default. To set the default startup screen, do the following:

1. On the desktop, right-click on the taskbar at the bottom of the screen.
2. Click **Properties**. The “Taskbar and Navigation properties” window is displayed.
3. On the **Navigation** tab, locate the **Start screen** section, and then do one of the following:
  - To set the desktop as your default startup screen, select **When I sign in or close all apps on a screen, go to the desktop instead of Start**.
  - To set the Start screen as your default startup screen, clear the **When I sign in or close all apps on a screen, go to the desktop instead of Start** check box.
4. Click **OK** to save the new setting.

---

## Chapter 3. You and your computer

This chapter provides information about accessibility, comfort, and relocating your computer to other countries or regions.

---

### Accessibility and comfort

Good ergonomic practice is important to get the most from your personal computer and to avoid discomfort. Arrange your workplace and the equipment you use to suit your individual needs and the kind of work that you perform. In addition, use healthy work habits to maximize your performance and comfort while using your computer.

The following topics provide information about arranging your work area, setting up your computer equipment, and establishing healthy work habits.

### Arranging your workspace

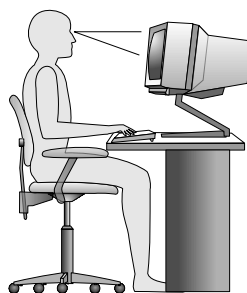
To get the most from your computer, arrange both the equipment you use and your work area to suit your needs and the kind of work you do. Your comfort is of foremost importance, but light sources, air circulation, and the location of electrical outlets can also affect the way you arrange your workspace.

### Comfort

Although no single working position is ideal for everyone, here are a few guidelines to help you find a position that suits you best.

Sitting in the same position for a long time can cause fatigue. The backrest and seat of your chair should adjust independently and provide good support. The seat should have a curved front to relieve pressure on the thighs. Adjust the seat so that your thighs are parallel to the floor and your feet are either flat on the floor or on a footrest.

When using the keyboard, keep your forearms parallel to the floor and your wrists in a comfortable position. Use a light touch on the keyboard and your hands and fingers relaxed. Change the angle of the keyboard for maximum comfort by adjusting the position of the keyboard feet.



Adjust the monitor so the top of the screen is at, or slightly below, eye level. Place the monitor at a comfortable viewing distance, usually 51–61 cm (20–24 inches). Then, position the monitor so that you can view it without twisting your body. Also, position other equipment you use regularly, such as the telephone or a mouse, within easy reach.

## Glare and lighting

Position the monitor to minimize glare and reflections from overhead lights, windows, and other light sources. Reflected light from shiny surfaces can cause annoying reflections on your monitor screen. Place the monitor at right angles to windows and other light sources, when possible. Reduce overhead lighting, if necessary, by turning off lights or using lower wattage bulbs. If you install the monitor near a window, use curtains or blinds to block the sunlight. You can adjust the brightness and contrast controls on the monitor as the room lighting changes throughout the day.

Where it is impossible to avoid reflections or to adjust the lighting, an antiglare filter placed over the screen might be helpful. However, these filters might affect the clarity of the image on the screen; try them only after you have exhausted other methods of reducing glare.

Dust buildup compounds problems associated with glare. Remember to clean your monitor screen periodically using a soft cloth as directed in your monitor documentation.

## Air circulation

Your computer and monitor produce heat. The computer has a fan that pulls in fresh air and forces out hot air. The monitor lets hot air escape through vents. Blocking the air vents can cause overheating, which might result in a malfunction or damage. Place the computer and monitor so that nothing blocks the air vents; usually, 51 mm (2 inches) of air space is sufficient. Also, ensure that the vented air is not blowing on people.

## Electrical outlets and cable lengths

The following factors might determine the final placement of your computer:

- Location of electrical outlets
- Length of power cords
- Length of the cables that are connected to the monitor and other devices

When arranging your workspace:

- Avoid the use of extension cords. When possible, plug the computer power cord directly into an electrical outlet.
- Keep power cords and cables neatly routed away from walkways and other areas where they might get kicked accidentally.

For more information about power cords, see “Power cords and power adapters” on page vi.

## Accessibility information

Lenovo is committed to providing people with disabilities greater access to information and technology. Some technologies are already provided in your operating system. Others can be purchased through vendors.

Users also can use the Ease of Access Center provided in the Windows operating system to configure their computers to suit their physical and cognitive needs. The Ease of Access Center is a central location that you can use to configure the accessibility settings and programs available on the Microsoft Windows operating system. To use the Ease of Access Center, open Control Panel and click **Ease of Access** → **Ease of Access Center**.

The following information provides ways to help users who have hearing, vision, and mobility limitations get the most out of their computer experience.



## On-screen notification

On-screen notification helps hearing-impaired people be aware of the status of their computer. On-screen notification replaces sounds with visual cues or text captions to indicate that activity is happening on the computer. As a result, system alerts are noticeable even when they are not heard. For example, when you select one object with your keyboard, the object is highlighted. When you move the pointer to one object with your mouse, the introductory text of the object is displayed.

To use on-screen notification, open Control Panel, click **Ease of Access → Ease of Access Center**, and then click **Use text or visual alternatives for sounds**.

## Audio notification

Audio notification helps visually impaired people or people with weak sight be aware of the status of their computer.

To use audio notification, open Control Panel, click **Ease of Access → Ease of Access Center → Use the computer without a display**, and then select **Turn on Audio Description**.

## Narrator

Narrator is a screen reader that reads what is displayed on the screen aloud and describes events like error messages.

To open Narrator, do the following:

- For Windows 7: Click the **Start** button. Then, type Narrator into the search field. In the list of results, click **Narrator**.
- For Windows 8.1: Move your pointer to the top-right or bottom-right corner of the screen to display the charms and click **Search**. Then, type Narrator into the search field. In the list of results, click **Narrator**.

For more information about how to use and configure Narrator, see the Windows Help and Support information system.

## Screen-reader technologies

Screen-reader technologies are primarily focused on software program interfaces, help information systems, and a variety of online documents. For additional information about screen readers, see the following:

- Using PDFs with screen readers:  
<http://www.adobe.com/accessibility.html?promoid=DJGVE>
- Using the JAWS screen reader:  
<http://www.freedomscientific.com/jaws-hq.asp>
- Using the NVDA screen reader:  
<http://www.nvaccess.org/>

## Speech Recognition

Speech Recognition enables you to control your computer by voice.

Using only your voice, you can start programs, open menus, click objects on the screen, dictate text into documents, and write and send e-mails. Everything you do with the keyboard and mouse can be done with only your voice.

To open Speech Recognition, do the following:

- For Windows 7: Click the **Start** button. Then, type Speech Recognition into the search field. In the list of results, click **Speech Recognition**.

- For Windows 8.1: Move your pointer to the top-right or bottom-right corner of the screen to display the charms and click **Search**. Then, type Speech Recognition into the search field. In the list of results, click **Speech Recognition**.

For more information about how to use and configure Speech Recognition, see the Windows Help and Support information system.

### Customizable text size

Depending on your preference, you can change only the text size instead of changing the size of everything on the desktop. To change the text size, open Control Panel and click **Appearances and Personalization** → **Display**. Then, go to **Change only the text size** and set a text size that meets your needs.

### Magnifier

Your computer is equipped with the Microsoft Magnifier to help visually impaired people use the computer more comfortably. Magnifier is a useful utility that enlarges the entire screen or part of the screen so that you can see the words and images better. You can open Magnifier from the Ease of Access Center.

To open Magnifier, do the following:

- For Windows 7: Click the **Start** button, click **All Programs** → **Accessories** → **Ease of Access**, and then click **Magnifier**.
- For Windows 8.1: Move your pointer to the top-right or bottom-right corner of the screen to display the charms and click **Search**. Then, type Magnifier into the search field. In the list of results, click **Magnifier**.

For more information about how to use and configure Magnifier, see the Windows Help and Support information system.

**Note:** For touch-screen computer models, you also can zoom in and zoom out by using touch gestures instead of the keyboard. See “Zoom” on page 30.

### Zoom

You can use the zoom feature to enlarge or reduce the size of text, pictures, maps, or other objects.

- From the keyboard:
  - Zoom in: Press the Windows logo key + the plus-sign key (+) to enlarge the size of text, pictures, maps, or other objects.
  - Zoom out: Press the Windows logo key + the minus-sign (-) key to reduce the size of text, pictures, maps, or other objects.
- From the touch screen:
  - Zoom in: Move two fingers farther apart on the touch screen to enlarge the size of text, pictures, maps, or other objects.
  - Zoom out: Move two fingers closer together on the touch screen to reduce the size of text, pictures, maps, or other objects.

### Screen resolution

You can make your documents easier to read by adjusting the screen resolution of your computer. To adjust the screen resolution, right click anywhere on the desktop, click **Screen resolution**, and then adjust the settings as you prefer.

**Note:** Setting too low of a resolution might prevent some items from fitting on the screen.

For alternatives on increasing the size of text and other objects, see the following:

- “Customizable text size” on page 30
- “Magnifier” on page 30
- “Zoom” on page 30

### Ease of Access keyboard shortcuts

The following table contains keyboard shortcuts that can help make your computer easier to use.

Keyboard shortcut	Function
Windows logo key + U	Open the Ease of Access Center
Right Shift for eight seconds	Turn Filter Keys on or off
Shift five times	Turn Sticky Keys on or off
Num Lock for five seconds	Turn Toggle Keys on or off
Left Alt+Left Shift+Num Lock	Turn Mouse Keys on or off
Left Alt+Left Shift+PrtScn (or PrtSc)	Turn High Contrast on or off

For more information, go to <http://windows.microsoft.com/>, and then type any of the following keywords for searching: keyboard shortcuts, key combinations, shortcut keys.

### On-Screen Keyboard

If you prefer to type or enter data into your computer without using a physical keyboard, you can use On-Screen Keyboard. On-Screen Keyboard displays a visual keyboard with all the standard keys. You can select keys using the mouse or another pointing device, or you can tap to select the keys if your computer supports multi-touch screen.

To open On-Screen Keyboard, do the following:

- For Windows 7: Click the **Start** button. Then, type On-Screen Keyboard into the search field. In the list of results, click **On-Screen Keyboard**.
- For Windows 8.1: Move your pointer to the top-right or bottom-right corner of the screen to display the charms and click **Search**. Then, type On-Screen Keyboard into the search field. In the list of results, click **On-Screen Keyboard**.

For more information about how to use and configure On-Screen Keyboard, see the Windows Help and Support information system.

### Personalized keyboard

The tactile bumps on the keyboard provide a reference point from which you can easily locate all keys on the keyboard without visual assistance.

To adjust your keyboard settings, open Control Panel, click **Ease of Access → Ease of Access Center**, and then click **Make the keyboard easier to use**.

### Industry-standard connectors

Your computer provides industry-standard connectors that enable you to connect assistive devices, if needed.

For more information about the location and function of the connectors, see “Locating connectors, controls, and indicators on the front of your computer” on page 2 and “Locating connectors on the rear of your computer” on page 2.

### **TTY/TDD conversion modem**

Your computer supports the use of the text telephone (TTY) or the telecommunications device for the deaf (TDD) conversion modem. The modem must be connected between your computer and a TTY/TDD telephone. Then, you can type a message on your computer and send it to the telephone.

### **Documentation in accessible formats**

Lenovo provides electronic documentation in accessible formats, such as properly tagged PDF files or HyperText Markup Language (HTML) files. Lenovo electronic documentation is developed to ensure that visually impaired users can read the documentation through a screen reader. Each image in the documentation also includes adequate alternative text so that visually impaired users can understand the image when they use a screen reader.

---

## **Moving your computer to another country or region**

When you move your computer to another country or region, you must take local electrical standards into consideration.

If you relocate your computer to a country or region that uses an electrical outlet style different from the type you are currently using, you will have to purchase either electrical plug adapters or new power cords. You can order power cords directly from Lenovo.

For power cord information and part numbers, go to:  
<http://www.lenovo.com/powercordnotice>

---

## Chapter 4. Security

This chapter provides information about how to protect your computer from theft and unauthorized use.

---

### Security features

The following security features are available on your computer:

- Computrace Agent software embedded in firmware

The Computrace Agent software is an IT asset management and computer theft recovery solution. The software detects if changes have been made on the computer, such as hardware, software, or the computer call-in location.

**Note:** You might have to purchase a subscription to activate the Computrace Agent software.

- Cover presence switch (also called intrusion switch)

The cover presence switch prevents your computer from logging in to the operating system when the computer cover is not properly installed or closed. To enable the cover presence switch connector on the system board, do the following:

1. Start the Setup Utility program. See “Starting the Setup Utility program” on page 37.
2. Set the administrator password. See “Setting, changing, and deleting a password” on page 38.
3. From the **Security** submenu, select **Chassis Intrusion Detection → Enabled**. The cover presence switch connector on the system board is enabled.

When you turn on the computer, if the cover presence switch detects that your computer cover is not correctly installed or closed, an error message will be displayed. To bypass the error message and log in to the operating system, do the following:

1. Properly install or close your computer cover. See “Completing the parts replacement” on page 130.
2. Press F1 to enter the Setup Utility program. Then press F10 to save and exit the Setup Utility program. The error message will not be displayed again.

- Ability to enable and disable devices and USB connectors

For more information, see “Enabling or disabling a device” on page 39.

- Integrated fingerprint reader (available on some models)

Fingerprint authentication can replace passwords and enable simple and secure user access. For more information, see “Using the fingerprint reader” on page 20.

- Trusted Platform Module (TPM)

Trusted Platform Module is a secure cryptoprocessor that can store cryptographic keys that protect information stored in your computer.

---

### Locking the computer cover

Locking the computer cover helps prevent unauthorized people from gaining access to the inside of your computer. Your computer comes with a padlock loop and might also come with a key lock that is built into the computer cover.

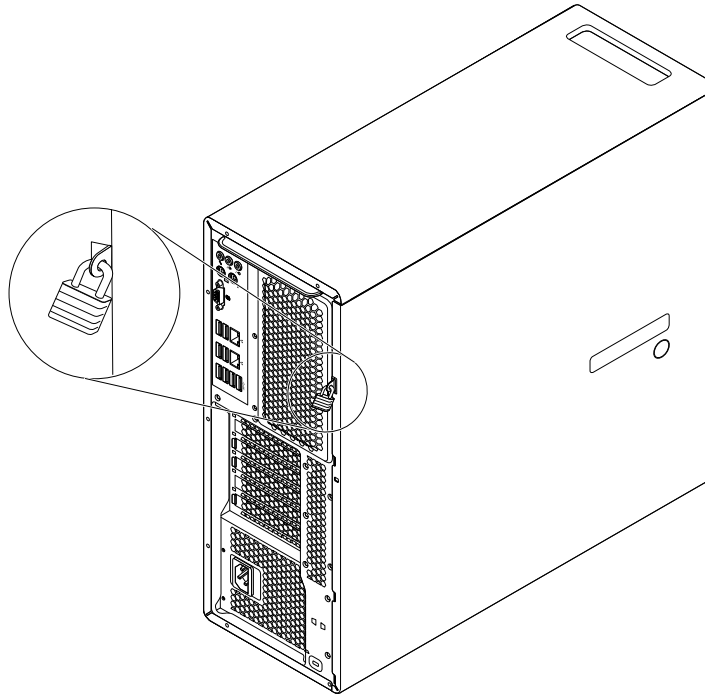


Figure 9. Installing a padlock

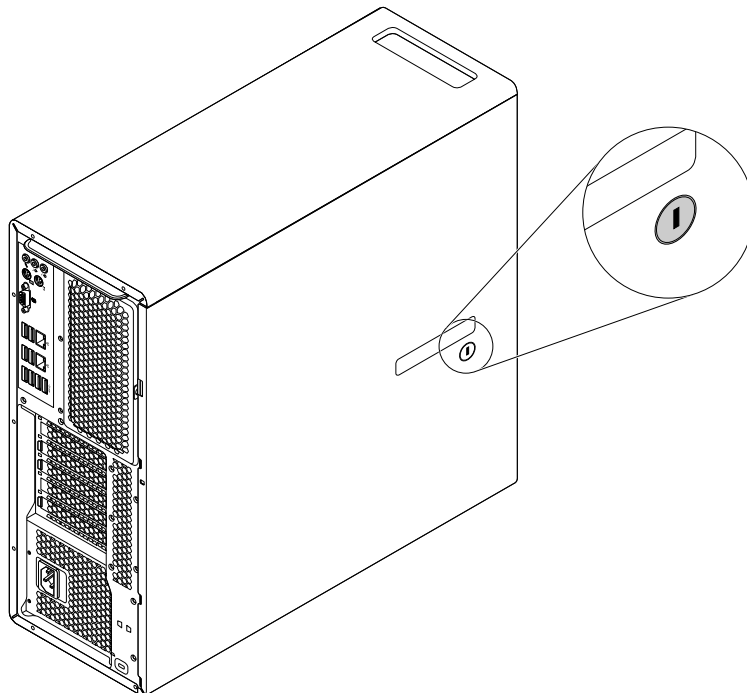


Figure 10. Locking the computer cover

---

## Attaching a Kensington-style cable lock

You can use a Kensington-style cable lock to secure your computer to a desk, table, or other non-permanent fixture. The cable lock attaches to the security-lock slot at the rear of your computer. Depending on the type selected, the cable lock can be operated with a key or combination. The cable lock also locks the buttons used to open the computer cover. This is the same type of lock used with many notebook computers. You can order such a cable lock directly from Lenovo by searching for *Kensington* at: <http://www.lenovo.com/support>

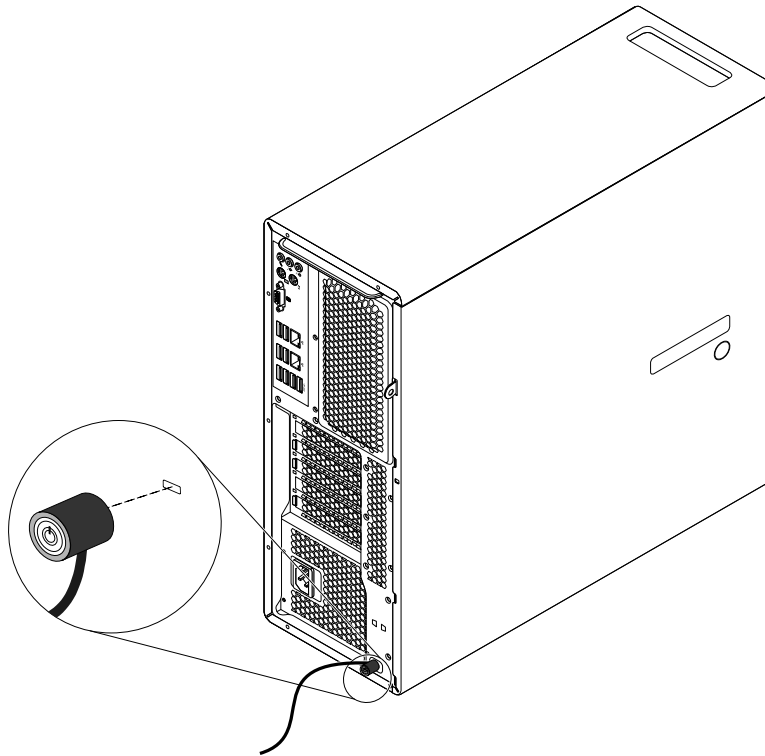


Figure 11. Kensington-style cable lock

---

## Using passwords

You can set a variety of passwords through the Microsoft Windows operating system and through the BIOS of your computer to help deter unauthorized use of your computer.

### BIOS passwords

You can use the BIOS Setup Utility program to set passwords to prevent unauthorized access to your computer and data. The following types of passwords are available:

- Power-on password
- Hard disk password
- Administrator password

For more information about BIOS passwords, see “Using BIOS passwords” on page 38. You do not have to set any passwords to use your computer. However, using passwords improves computing security.

## Windows passwords

Depending on your version of the Windows operating system, you can use Windows passwords for a variety of features, including access control and individual user settings. For more information, see the Windows Help and Support information system.

---

## Configuring the fingerprint reader

If your keyboard has a fingerprint reader, you can configure the fingerprint reader in the Setup Utility program.

The **Fingerprint Setup** submenu under the **Security** menu of the Setup Utility program provides the following options:

- **Preboot Authentication:** enables or disables the fingerprint authentication for accessing the BIOS.
- **Erase Fingerprint Data:** clears the fingerprint data stored in a fingerprint reader.

To configure the fingerprint reader, do the following:

1. Start the Setup Utility program. See “Starting the Setup Utility program” on page 37.
  2. From the Setup Utility program main menu, select **Security → Fingerprint Setup**, and press Enter. The Fingerprint Setup window opens.
  3. Select **Preboot Authentication** or **Erase Fingerprint Data** as desired, and press Enter.
  4. Select the desired settings and press Enter.
  5. Press F10 to save changes and exit the Setup Utility program. Press Enter when prompted to confirm the exit.
- 

## Using and understanding firewalls

A firewall can be hardware, software, or a combination of both depending on the level of security required. Firewalls work on a set of rules to determine which inbound and outbound connections are authorized. If your computer is preinstalled with a firewall program, it helps protect against computer Internet security threats, unauthorized access, intrusions, and Internet attacks. It also protects your privacy. For more information about how to use the firewall program, refer to the help system of your firewall program.

The Windows operating system preinstalled on your computer provides the Windows Firewall. For details on using the Windows Firewall, refer to “Help and Support” on page 133.

---

## Protecting data against viruses

Your computer is preinstalled with an antivirus program to help you guard against, detect, and eliminate viruses.

Lenovo provides a full version of antivirus software on your computer with a free 30-day subscription. After 30 days, you must renew the license to continue receiving the antivirus software updates.

**Note:** Virus definition files must be kept up-to-date to guard against new viruses.

For more information about how to use your antivirus software, refer to the help system of your antivirus software.



---

## Chapter 5. Advanced configuration

This chapter provides the following information to help you configure the computer:

- “Using the Setup Utility program” on page 37
- “Updating or recovering the BIOS” on page 41

---

### Using the Setup Utility program

The Setup Utility program is used to view and change the configuration settings of your computer, regardless of which operating system you are using. However, the operating system settings might override any similar settings in the Setup Utility program.

### Starting the Setup Utility program

To start the Setup Utility program, do the following:

1. Ensure that your computer is turned off.
2. Repeatedly press and release the F1 key when turning on the computer. When you hear multiple beeps or see a logo screen, release the F1 key.

**Note:** If a power-on password or an administrator password has been set, the Setup Utility program menu will not be displayed until you enter the correct password. For more information, see “Using BIOS passwords” on page 38.

When the POST detects that the hard disk drive has been removed from your computer or the memory size has decreased, an error message will be displayed. You must do one of the following:

- Press F1 to enter the Setup Utility program.

**Note:** After you enter the Setup Utility program, press F10 to save changes and exit the Setup Utility program. Press Enter when prompted to confirm the exit. The error message will not be displayed again.

- Press F2 to bypass the error message and log in to the operating system.

**Note:** You have to enable the configuration change detection feature for the POST to detect the removal of the hard disk drive. To enable the configuration change detection feature, do the following:

1. Start the Setup Utility program.
2. From the Setup Utility program main menu, select **Security → Configuration Change Detection**, and press Enter.
3. Select **Enabled** and press Enter.
4. Press F10 to save changes and exit the Setup Utility program. Press Enter when prompted to confirm the exit.

### Viewing and changing settings

The Setup Utility program menu lists various items about the system configuration. To view or change settings, start the Setup Utility program. See “Starting the Setup Utility program” on page 37. Then, follow the instructions on the screen.

You can use either the keyboard or the mouse to navigate through menu choices. The keys used to perform various tasks are displayed at the bottom of each screen.

## Using BIOS passwords

By using the Setup Utility program, you can set passwords to prevent unauthorized access to your computer and data.

You do not have to set any passwords to use your computer. However, using passwords improves computer security. If you decide to set any passwords, read the following topics.

### Setup Utility program password types

The following types of passwords are available:

- **Power-on password**  
When a power-on password is set, you are prompted to enter a valid password each time the computer is turned on. The computer cannot be used until the valid password is entered.
- **Administrator password**  
Setting an administrator password deters unauthorized users from changing configuration settings. If you are responsible for maintaining the configuration settings of several computers, you might want to set an Administrator password.  
When an administrator password is set, you are prompted to enter a valid password each time you try to access the Setup Utility program. The Setup Utility program cannot be accessed until a valid password is entered.  
If both the power-on password and administrator password are set, you can enter either password. However, you must use your Administrator password to change any configuration settings.
- **Hard disk password**  
Setting a hard disk password prevents unauthorized access to the data on the hard disk drive. When a hard disk password is set, you are prompted to enter a valid password each time you try to access the hard disk drive.

#### Notes:

- After you set a hard disk password, your data on the hard disk drive is protected even if the hard disk drive is removed from one computer and installed in another.
- If the hard disk password is forgotten, there is no way to reset the password or recover data from the hard disk drive.

### Password considerations

A password can be any combination of up to 64 alphabetic and numeric characters. For security reasons, it is recommended to use a strong password that cannot be easily compromised.

**Note:** The Setup Utility program passwords are not case sensitive.

To set a strong password, consider the following guidelines:

- Have at least eight characters in length
- Contain at least one alphabetic character and one numeric character
- Not be your name or your user name
- Not be a common word or a common name
- Be significantly different from your previous passwords

### Setting, changing, and deleting a password

To set, change, or delete a password, do the following:

1. Start the Setup Utility program. See “Starting the Setup Utility program” on page 37.
2. From the Setup Utility program main menu, select **Security**.

3. Depending on the password type, select **Set Power-On Password**, **Set Administrator Password**, or **Hard Disk Password**.
4. Follow the instructions on the right side of the screen to set, change, or delete a password.

**Note:** A password can be any combination of up to 64 alphabetic and numeric characters. For more information, see “Password considerations” on page 38.

## Erasing lost or forgotten passwords (clearing CMOS)

This section provides instructions on how to erase lost or forgotten passwords, such as a user password.

To erase a lost or forgotten password, do the following:

1. Remove all media from the drives and turn off all attached devices and the computer. Then, disconnect all power cords from electrical outlets and disconnect all cables that are connected to the computer.
2. Remove the computer cover. See “Removing the computer cover” on page 77.
3. Locate the Clear CMOS /Recovery jumper on the system board. See “Locating parts on the system board” on page 6.
4. Move the jumper from the standard position (pin 1 and pin 2) to the maintenance position (pin 2 and pin 3).
5. Reinstall the computer cover and connect the power cord. See “Completing the parts replacement” on page 130.
6. Turn on the computer and leave it on for approximately 10 seconds. Then, turn off the computer by holding the power button for approximately five seconds.
7. Repeat step 1 through step 2.
8. Move the Clear CMOS /Recovery jumper back to the standard position (pin 1 and pin 2).
9. Reinstall the computer cover and connect the power cord. See “Completing the parts replacement” on page 130.

## Enabling or disabling a device

This section provides information on how to enable or disable user access to the following devices:

<b>USB Setup</b>	Use this option to enable or disable a USB connector. When a USB connector is disabled, the device connected to the USB connector cannot be used.
<b>SATA Controller</b>	When this option is set to <b>Disable</b> , all devices connected to the SATA connectors (such as hard disk drives or optical drives) are disabled and cannot be accessed.

To enable or disable a device, do the following:

1. Start the Setup Utility program. See “Starting the Setup Utility program” on page 37.
2. From the Setup Utility program main menu, select **Devices**.
3. Depending on the device you want to enable or disable, do one of the following:
  - Select **USB Setup** to enable or disable a USB device.
  - Select **ATA Drive Setup** to enable or disable an internal or external SATA device.
4. Select the desired settings and press Enter.
5. Press F10 to save changes and exit the Setup Utility program. See “Exiting the Setup Utility program” on page 41.

## Selecting a startup device

If your computer does not start up from a device as expected, do one of the following to select the startup device you want.

### Selecting a temporary startup device

Use this procedure to select a temporary startup device.

**Note:** Not all discs and hard disk drives are bootable.

1. Turn on or restart your computer.
2. When you see the logo screen, repeatedly press and release the F12 key. The Startup Device Menu window is displayed.
3. Select the desired startup device and press Enter. The computer will start up from the device you selected.

**Note:** Selecting a startup device from the Startup Device Menu window does not permanently change the startup sequence.

### Selecting or changing the startup device sequence

To view or permanently change the configured startup device sequence, do the following:

1. Start the Setup Utility program. See “Starting the Setup Utility program” on page 37.
2. From the Setup Utility program main menu, select **Startup**.
3. Select the devices for the Primary Startup Sequence, the Automatic Startup Sequence, and the Error Startup Sequence. Read the information displayed on the right side of the screen.
4. Press F10 to save changes and exit the Setup Utility program. See “Exiting the Setup Utility program” on page 41.

## Enabling ErP LPS compliance mode

Lenovo computers meet the eco-design requirements of the ErP Lot 3 regulation. For more information, go to:

<http://www.lenovo.com/ecodeclaration>

You can enable ErP LPS compliance mode in the Setup Utility program to reduce the consumption of electricity when your computer is off or in sleep mode.

To enable ErP LPS compliance mode in the Setup Utility program, do the following:

1. Start the Setup Utility program. See “Starting the Setup Utility program” on page 37.
2. From the Setup Utility program main menu, select **Power → Enhanced Power Saving Mode**, and press Enter.
3. Select **Enabled** and press Enter.
4. From the **Power** menu, select **Automatic Power On** and press Enter.
5. Select **Wake on Lan** and press Enter.
6. Select **Disabled** and press Enter.
7. Press F10 to save changes and exit the Setup Utility program. Press Enter when prompted to confirm the exit.

When ErP LPS compliance mode is enabled, you can wake up your computer by doing one of the following:

- Press the power button
- Enable the wake up on alarm feature

The wake up on alarm feature enables your computer to wake up at a set time. To enable the wake up on alarm feature, do the following:

1. Start the Setup Utility program.
  2. From the Setup Utility program main menu, select **Power → Automatic Power On**, and press Enter.
  3. Select **Wake Up on Alarm** and press Enter. Then follow the instructions on the screen.
  4. Press F10 to save changes and exit the Setup Utility program. Press Enter when prompted to confirm the exit.
- Enable the after power loss feature

The after power loss feature enables your computer to wake up when the power supply resumes after a sudden loss of electricity. To enable the after power loss feature, do the following:

1. Start the Setup Utility program.
2. From the Setup Utility program main menu, select **Power → After Power Loss**, and press Enter.
3. Select **Power On** and press Enter.
4. Press F10 to save changes and exit the Setup Utility program. Press Enter when prompted to confirm the exit.

## Exiting the Setup Utility program

After you finish viewing or changing settings, press Esc to return to the Setup Utility program main menu. You might have to press Esc several times. Do one of the following:

- If you want to save the new settings, press F10 to save changes and exit the Setup Utility program.
- If you do not want to save the settings, select **Exit → Discard Changes and Exit**, and then press Enter. When the Reset Without Saving window displays, select **Yes**, and then press Enter to exit the Setup Utility program.
- If you want to return to the default settings, press F9 to load the default settings, and then press F10 to save and exit the Setup Utility program.

---

## Updating or recovering the BIOS

Lenovo might make changes and enhancements to the BIOS. When updates are released, they are available as downloadable files on the Lenovo Web site at <http://www.lenovo.com/drivers>. Instructions for using the BIOS updates are available in a TXT file that is included with the update files. For most models, you can download either an update program to create a system-program-update disc or an update program that can be run from the operating system.

This chapter provides information about updating the BIOS, and how to recover from a BIOS update failure.

## BIOS levels

An incorrect level of BIOS can cause false errors and unnecessary FRU replacement. Use the following information to determine the current level of BIOS installed in the computer, the latest BIOS available for the computer, and where to obtain the latest level of BIOS.

- To determine the current Level of BIOS:
  - Start the Setup Utility.
  - Select Standard CMOS Features.
- Sources for obtaining the latest level BIOS available
  1. Lenovo support web site: <http://www.lenovo.com/support/>
  2. Lenovo Customer Support Center
  3. Levels 1 and 2 Support

To update the BIOS, see “Updating or recovering the BIOS” on page 41.

**Note:** BIOS settings vary by operating system. Change the BIOS settings before installing a new operating system. See “Changing the BIOS settings before installing a new operating system” on page 42.

## Using system programs

System programs are the basic layer of software built into your computer. System programs include the POST, the BIOS, and the Setup Utility program. The POST is a set of tests and procedures that are performed each time you turn on your computer. The BIOS is a layer of software that translates instructions from other layers of software into electrical signals that the computer hardware can execute. You can use the Setup Utility program to view or change the configuration settings of your computer. See “Using the Setup Utility program” on page 37 for detailed information.

The system board of your computer has a module called electrically erasable programmable read-only memory (EEPROM, also referred to as flash memory). It enables you to update the POST, the BIOS, and the Setup Utility program easily. To perform such an update, you can either start your computer with a system-program-update disc or run a special update program from your operating system.

Lenovo might make changes and enhancements to the POST and BIOS. When updates are released, they are available as downloadable files on the Lenovo Web site at <http://www.lenovo.com>. Instructions for using the POST and BIOS updates are available in a TXT file that is included with the update files. For most models, you can download an update program that can be used to create a system-program-update disc or be run from the operating system.

## Changing the BIOS settings before installing a new operating system

BIOS settings vary by operating system. Change the BIOS settings before installing a new operating system.

To change the BIOS settings, do the following:

1. Start the Setup Utility program. See “Starting the Setup Utility program” on page 37.
2. From the Setup Utility program main menu, select **Exit → OS Optimized Default**.
3. Depending on the operating system to be installed, do one of the following:
  - To install the Windows 8.1 (64-bit) operating system, select **Enabled**.
  - To install an operating system other than Windows 8.1 (64-bit), select **Disabled**.
4. Select **Yes** in the window displayed and press Enter to confirm your selection.
5. Press F10 to save changes and exit the Setup Utility program. See “Exiting the Setup Utility program” on page 41.

## Updating the BIOS from a disc

This section provides instructions on how to update (flash) the BIOS from a disc on the Windows 8.1 (64-bit) operating system and on other operating systems.

**Note:** You can download a self-starting bootable disc image (known as an ISO image) with the system program updates to create a system-program-update disc. Go to:  
<http://www.lenovo.com/support>

To update (flash) the BIOS from a disc on the Windows 8.1 (64-bit) operating system, do the following:

1. Start the Setup Utility program. See “Starting the Setup Utility program” on page 37.
2. From the Setup Utility program main menu, select **Exit → OS Optimized Default → Disabled**.
3. Select **Yes** in the window displayed and press Enter to confirm your selection.

4. Press F10 to save changes and exit the Setup Utility program. See “Exiting the Setup Utility program” on page 41.
5. Turn off your computer.
6. Press the power button to turn on the computer. Then repeatedly press and release the F12 key until the Startup Device Menu window opens.
7. From the Startup Device Menu window, select the desired optical drive as the startup device. Then, insert the disc into this optical drive and press Enter. The update begins.
8. When prompted to change the serial number, it is suggested that you do not make this change by pressing N. However, if you do want to change the serial number, press Y, and then type in the serial number and press Enter.
9. When prompted to change the machine type and model, it is suggested that you do not make this change by pressing N. However, if you do want to change the machine type and model, press Y, and then type in the machine type and model and press Enter.
10. Follow the instructions on the screen to complete the update. After the update is completed, remove the disc from the optical drive.
11. Restart your computer and start the Setup Utility program. See “Starting the Setup Utility program” on page 37.
12. From the Setup Utility program main menu, select **Exit → OS Optimized Default → Enabled**.
13. Select **Yes** in the window displayed and press Enter to confirm your selection.
14. Press F10 to save changes and exit the Setup Utility program. See “Exiting the Setup Utility program” on page 41.

To update the BIOS from a disc, do the following:

1. Turn off your computer.
2. Press the power button to turn on the computer. Then repeatedly press and release the F12 key until the Startup Device Menu window opens.
3. From the Startup Device Menu window, select the desired optical drive as the startup device. Then, insert the disc into this optical drive and press Enter. The update begins.
4. When prompted to change the serial number, it is suggested that you do not make this change by pressing N. However, if you do want to change the serial number, press Y, then type in the serial number and press Enter.
5. When prompted to change the machine type and model, it is suggested that you do not make this change by pressing N. However, if you do want to change the machine type and model, press Y, then type in the machine type and model and press Enter.
6. Follow the instructions on the screen to complete the update. After the update is completed, remove the disc from the optical drive.

## Updating the BIOS from your operating system

Lenovo makes constant improvements to its Web sites. The Web page contents are subject to change without notice, including the contents referenced in the following procedure. To update the BIOS from your operating system, do the following:

1. Go to <http://www.lenovo.com/drivers> and follow the instructions on the Web page to locate the BIOS driver that you need.
2. Download the BIOS driver and the TXT file that contains the instructions.
3. Print the TXT file that contains the installation instructions and follow the instructions to update your BIOS.

## Recovering from a BIOS update failure

To recover from a BIOS update failure, do the following:

1. Remove all media from the drives and turn off all attached devices and the computer. Then, disconnect all power cords from electrical outlets and disconnect all cables that are connected to the computer.
2. Remove the computer cover. See “Removing the computer cover” on page 77.
3. Locate the Clear CMOS /Recovery jumper on the system board. See “Locating parts on the system board” on page 6.
4. Remove any cables that impede access to the Clear CMOS /Recovery jumper.
5. Move the jumper from the standard position (pin 1 and pin 2) to the maintenance position (pin 2 and pin 3).
6. Reconnect any cables that were disconnected and reinstall the PCI card if removed.
7. Reinstall the computer cover and reconnect the power cords for the computer and monitor to electrical outlets. See “Completing the parts replacement” on page 130.
8. Press the power button to turn on the computer and insert the BIOS update disc into the optical drive. Wait a few minutes. The recovery process begins. After the recovery process is completed, your computer will be turned off automatically.

**Note:** Depending on the computer model, the recovery process will take two to three minutes.

9. Repeat step 1 through step 4.
10. Move the Clear CMOS /Recovery jumper back to the standard position (pin 1 and pin 2).
11. Reconnect any cables that were disconnected and reinstall the PCI card if removed.
12. Reinstall the computer cover and reconnect any cables that were disconnected.
13. Press the power button to turn on the computer and restart the operating system.

---

## Configuring RAID

This chapter provides instructions on how to install hard disk drives and configure Redundant Array of Independent Disks (RAID) for your computer. Depending on your computer model, RAID can be enabled by Intel Rapid Storage Technology enterprise (RSTe) or the LSI MegaRAID BIOS.

**Note:** The RAID configuration information described in this chapter is only applicable in the Windows environment. For information about configuring RAID in the Linux environment, contact your Linux software provider.

This chapter provides information about the following topics:

- “Configuring RAID with Intel RSTe” on page 44
- “Quick RAID setup using the LSI MegaRAID BIOS configuration utility ” on page 47

### Configuring RAID with Intel RSTe

If your computer comes with Intel RSTe, you can follow the sections below to configure RAID with Intel RSTe.

This section provides information about the following topics:

- “Installing SATA or SAS hard disk drives” on page 44
- “Configuring SATA or SAS RAID functionality with the Intel RSTe configuration utility” on page 45

### Installing SATA or SAS hard disk drives

Ensure that your computer has the minimum number of SATA or SAS hard disk drives installed for the following supported levels of RAID:



- RAID Level 0 - Striped disk array
  - A RAID Level 0 hard disk drive group consisting of at least two hard disk drives
  - Supported strip size: 4 KB, 8 KB, 16 KB, 32 KB, 64 KB, or 128 KB
  - Better performance without fault tolerance
- RAID Level 1 - Mirrored disk array
  - A RAID Level 1 hard disk drive group consisting of two hard disk drives
  - Improved reading performance and 100% redundancy
- RAID Level 10 - Striped and mirrored disk array (a combination of RAID Level 0 and RAID Level 1)
  - A RAID Level 10 hard disk drive group consisting of four hard disk drives
  - Supported strip size: 4 KB, 8 KB, 16 KB, 32 KB, or 64 KB
- RAID Level 5 - Block-level striped disk array with distributed parity
  - A RAID Level 5 hard disk drive group consisting of at least three hard disk drives
  - Supported strip size: 4 KB, 8 KB, 16 KB, 32 KB, or 64 KB
  - Better performance and fault tolerance

Ensure that one of the following hard disk drive enablement modules is installed in your computer:

- If zero to four SATA hard disk drives or solid state drives are installed, no hard disk drive enablement module is needed.
- If five SATA hard disk drives or solid state drives are installed, the SATA hard disk drive enablement module (one to five hard disk drives) is required.
- If any SAS hard disk drives are installed, the SAS hard disk drive enablement module (one to five hard disk drives) is required.

## **Configuring SATA or SAS RAID functionality with the Intel RSTe configuration utility**

This section describes the information about configuring SATA or SAS RAID functionality with the Intel RSTe configuration utility.

**Note:** The Intel RSTe configuration utility assumes that your computer is installed with more than one hard disk drive. Therefore, if only one hard disk drive is installed in your computer, the following information does not apply.

This section provides information about the following topics:

- “Entering the Intel RSTe configuration utility” on page 45
- “Creating RAID volumes using the Intel RSTe configuration utility” on page 46
- “Deleting RAID volumes using the Intel RSTe configuration utility” on page 46
- “Resetting hard disk drives to non-RAID” on page 46

### **Entering the Intel RSTe configuration utility**

This section provides instructions on how to enter the Intel RSTe configuration utility.

During the computer startup, follow the instructions on the screen. Press Ctrl+I to enter the Intel RSTe configuration utility.

The following four options are displayed after you enter the Intel RSTe configuration utility:

1. **Create RAID Volume**
2. **Delete RAID Volume**

### 3. **Reset Disks to Non - RAID**

### 4. **Exit**

Press the up and down arrow keys to select an option. Press Enter to enter the menu for the selected option. Press Esc to exit the Intel RSTe configuration utility, or select **Exit**, and then press Enter to exit the Intel RSTe configuration utility.

#### *Creating RAID volumes using the Intel RSTe configuration utility*

This section provides instructions on how to use the Intel RSTe configuration utility to create RAID volumes.

To create a RAID volume, do the following:

1. Enter the Intel RSTe configuration utility. See “Entering the Intel RSTe configuration utility” on page 45.
2. Press the up and down arrow keys to select **Create RAID Volume**, and then press Enter to view the CREATE VOLUME MENU window.
3. The following five options are displayed. Press the up and down arrow keys to select an option. After you configure an option, press Tab or Enter to go to the next option.
  - a. **Name:** Volume name. You can use the default name or type a preferred name.
  - b. **RAID Level:** You can change the RAID Level to one of the following:
    - **RAID Level 0**
    - **RAID Level 1**
    - **RAID Level 10**
    - **RAID Level 5**
  - c. **Disks:** Press Enter to enter the SELECT DISKS MENU window. Follow the instructions at the bottom of the menu to select hard disk drives, and then press Enter to complete the configuration.
  - d. **Strip Size:** Press the up and down arrow keys to select a strip size.
  - e. **Capacity:** Customize the capacity of the RAID volume. The default RAID volume is the largest value.
4. Press Enter to finish configuring all the five options. When prompted, press Y to confirm the creation of the new RAID volume.
5. After the new RAID volume is created, the information about the RAID volume will be displayed under **DISK/VOLUME INFORMATION**, such as ID number, name, RAID level, strip size, volume size, status, and whether it is a bootable volume.

#### *Deleting RAID volumes using the Intel RSTe configuration utility*

This section provides instructions on how to use the Intel RSTe configuration utility to delete RAID volumes.

To delete a RAID volume, do the following:

1. Enter the Intel RSTe configuration utility. See “Entering the Intel RSTe configuration utility” on page 45.
2. Press the up and down arrow keys to select **Delete RAID Volume**. Press Enter to enter the DELETE VOLUME MENU window.
3. Press the up and down arrow keys to select the RAID volume that is not needed. Press Del to delete it from the **RAID Volumes** list.
4. When prompted, press Y to confirm the deletion of the selected RAID volume.

#### *Resetting hard disk drives to non-RAID*

This section provides instructions on how to reset hard disk drives to non-RAID.

To reset hard disk drives to non-RAID, do the following:

1. Enter the Intel RSTe configuration utility. See “Entering the Intel RSTe configuration utility” on page 45.

2. Press the up and down arrow keys to select **Reset Disks to Non-RAID**. Press Enter to enter the RESET RAID DATA window.
3. Use the up and down arrow keys and the space key to mark individual hard disk drive to be reset, and then press Enter to complete the selection.
4. When prompted, press Y to confirm the reset action.
5. If the hard disk drive you reset is part of a RAID volume, the computer might detect that the RAID volume is degraded. In this case, you are prompted to select a hard disk drive to initiate a rebuild process.
6. Select an available hard disk drive, and then press Enter to initiate the rebuild process.

**Note:** Press Esc to cancel a rebuild process and keep the RAID volume in the degraded status. In the Main Menu window under **DISK/VOLUME INFORMATION**, you will see the status of the RAID volume is changed to **Degraded**.

## Quick RAID setup using the LSI MegaRAID BIOS configuration utility

### Notes:

- The LSI MegaRAID SAS adapter and the LSI MegaRAID BIOS configuration utility are only available on some models.
- The following steps in this section are intended to guide you through a quick setup of basic RAID functions with the LSI MegaRAID SAS adapter. For advanced setup and configuration using this adapter, refer to the complete *MegaRAID SAS Software User Guide* that is available at [http://support.lenovo.com/en\\_US/guides-and-manuals/detail.page?DocID=UM007543](http://support.lenovo.com/en_US/guides-and-manuals/detail.page?DocID=UM007543).

This section provides information about the following topics:

- “Installing SATA or SAS hard disk drives” on page 47
- “Entering the LSI MegaRAID BIOS configuration utility” on page 48
- “Creating RAID volumes using the LSI MegaRAID BIOS configuration utility” on page 48
- “Deleting RAID volumes using the LSI MegaRAID BIOS configuration utility” on page 49
- “Setting the hot spare hard disk drive” on page 49

### Installing SATA or SAS hard disk drives

Ensure that your computer has the minimum number of SATA or SAS hard disk drives installed for the following supported levels of RAID:

- RAID Level 0 - Striped disk array
  - A RAID Level 0 hard disk drive group consisting of at least one hard disk drive
  - Supported strip size: 8 KB to 1 MB
  - Better performance without fault tolerance
- RAID Level 00 - Spanned hard disk drive group with a series of RAID 0 hard disk drive groups
  - A RAID Level 00 hard disk drive group consisting of two or four hard disk drives
  - Supported strip size: 8 KB to 1 MB
  - Better performance without fault tolerance
- RAID Level 1 - Mirrored disk array
  - A RAID Level 1 hard disk drive group consisting of two or four hard disk drives
  - Improved read performance and 100% redundancy
- RAID Level 10 - A combination of RAID Level 0 and RAID Level 1
  - A RAID Level 10 hard disk drive group consisting of four hard disk drives

- Data being striped across hard disk drive groups
- Provides both high data transfer rates and complete data redundancy
- RAID Level 5 - Block-level striped disk array with distributed parity
  - A RAID Level 5 hard disk drive group consisting of at least three hard disk drives
  - Supported strip size: 8 KB to 1 MB
  - Better performance and fault tolerance
  - RAID Level 5 might not be available on all models of LSI MegaRAID adapter
- RAID Level 6 - Block-level striped disk array with dual distributed parity
  - A RAID Level 6 hard disk drive group consisting of at least four hard disk drives
  - Supported strip size: 8 KB to 1 MB
  - Better performance and fault tolerance that can stand up to loss of two hard disk drives
  - RAID Level 6 might not be available on all models of LSI MegaRAID adapter

Ensure that the LSI MegaRAID SAS adapter card is installed in your computer, and that the hard disk drives are connected to this adapter card and not to the connectors on the system board.

## Entering the LSI MegaRAID BIOS configuration utility

This section provides instructions on how to enter the LSI MegaRAID BIOS configuration utility.

To enter the LSI MegaRAID BIOS configuration utility, do the following:

1. During the computer startup, follow the instructions on the screen.
2. Press Ctrl+H to enter the CONTROLLER SELECTION window.
3. Select the controller you want to configure, and then click **Start** to enter the LSI MegaRAID BIOS configuration utility.

## Creating RAID volumes using the LSI MegaRAID BIOS configuration utility

This section provides instructions on how to create RAID volumes using the LSI MegaRAID BIOS configuration utility.

To create RAID volumes using the LSI MegaRAID BIOS configuration utility, do the following:

1. Click **Configuration Wizard** on the WebBIOS main screen to enter the Choosing the Configuration Type window.
2. Press the up and down arrow keys to select one of the three configuration types:
  - **Clear Configuration:** Clear the existing configuration.
  - **New Configuration:** Clear the existing configuration and create new configuration.
  - **Add Configuration:** Retain the existing storage configuration and add new hard disk drives. The new configuration will not cause any data loss.
3. Select **Add Configuration**, and then click **Next**. The following two options are displayed in the Configuration Method window.
  - **Manual Configuration:** Manually create hard disk drive groups and virtual hard disk drives, and set parameters.
  - **Automatic Configuration:** Automatically create an optimal RAID configuration.
4. Select **Manual Configuration**, and then click **Next**. The Drive Group Definition window is displayed. To create hard disk drive groups, do the following:

- a. Select one or more hard disk drives for the group (keep pressing Ctrl while selecting more than one hard disk drive).
  - b. Click **Add To Array** to move the selected hard disk drives to **Drive Groups**.
  - c. Click **Accept DG** to create the hard disk drive group.
  - d. Repeat the above steps if you want to create more than one hard disk drive group.
5. Click **Next**. The Span Definition window is displayed. Select the hard disk drive group that you want to add to a span, and then click **Add to SPAN**. Repeat this step until you have selected all the hard disk drive groups you want.
  6. Click **Next**. The Virtual Drive Definition window is displayed. Change the virtual hard disk drive options from the default settings listed on the screen to the settings you want. Click **Accept**, and then follow the instructions on the screen to customize your settings.
  7. Click **Next**, and the Preview window is displayed.
  8. Verify your settings, and then click **Accept**.
  9. Click **Yes** to save the configuration.

### **Deleting RAID volumes using the LSI MegaRAID BIOS configuration utility**

This section provides instructions on how to delete RAID volumes using the LSI MegaRAID BIOS configuration utility.

To delete RAID volumes using the LSI MegaRAID BIOS configuration utility, do the following:

1. Enter the LSI MegaRAID BIOS configuration utility. See “Entering the LSI MegaRAID BIOS configuration utility” on page 48.
2. Click the virtual hard disk drives you want to delete, and then the Virtual Drive window is displayed.
3. Click **Delete**, and then click **Go**.
4. Click **Yes** to save your changes.

### **Setting the hot spare hard disk drive**

This section provides instructions on how to set the hot spare hard disk drive.

To set the hot space hard disk drive, do the following:

1. Enter the LSI MegaRAID BIOS configuration utility. See “Entering the LSI MegaRAID BIOS configuration utility” on page 48.
2. Click the hard disk drive you want to set as the hot spare hard disk drive. The Drive window is displayed.
3. Select **Make Global HSP** or **Make Dedicated HSP**, and then click **Go**.
4. The main screen of the LSI MegaRAID BIOS configuration utility is displayed, and the hard disk drive you selected is listed as a hot spare hard disk drive in the right pane.



---

## Chapter 6. Preventing problems

This chapter provides information that can help you avoid common problems and keep your computer running smoothly.

---

### Keeping your computer current

In some situations you might find it necessary to have the most current software programs, device drivers, or operating system. This section explains how to get the latest updates for your computer.

### Getting the latest device drivers for your computer

**Note:** Lenovo makes constant improvements to its Web sites. The contents on the Web page are subject to change without notice, including the contents referenced in the following procedure.

To get the latest device drivers for your computer, do the following:

1. Go to <http://www.lenovo.com/support> and follow the instructions on the screen.
2. Select your product by doing one of the following:
  - Enter your machine information in the quick path.
  - Choose from the product options.
3. Select the category of device and the operating system for which you need the device driver.
4. In the filtered list, download and install the appropriate device driver.

**Attention:** Do not download the latest device drivers from the Windows Update Web site. The device drivers provided on the Windows Update Web site have not been tested by Lenovo and using them might cause unexpected problems. Obtain the latest device drivers from Lenovo.

### Updating your operating system

You can update your operating system through the system update feature provided by the operating system. System updates include security fixes, new versions of Windows components, fixes to other portions of the Windows operating system, or enhancements.

To update your operating system, do the following:

**Note:** Ensure that your computer is connected to the Internet.

- For Windows 7:
  1. From the Windows desktop, click **Start → All Programs → Windows Update**.
  2. Click **Check for updates**.
  3. If any updates are available, select the updates you need and click **Install updates**.
- For Windows 8.1:
  1. Move the pointer to the top-right or bottom-right corner of the screen to display the charms. Click **Settings → Change PC settings → Update and recovery → Windows Update**.
  2. Click **Check now**.
  3. If any updates are available, click **View details**, select the updates you need, and click **Install**.

## Using the System Update program

The System Update program (hereinafter referred to as System Update) provides regular access to system and software updates for your computer to keep your system and software up-to-date. System Update gathers information from the Lenovo Help Center about new updates for your computer. Then System Update sorts and displays each update as critical, recommended, or optional to help you understand the importance. You have complete control of which updates to download and install. After you select the updates you want, System Update automatically downloads and installs the updates without any further intervention from you.

System Update is preinstalled on most Lenovo computers and is ready to run. The only prerequisite is an active Internet connection. You can start the program manually, or you can use the schedule feature to enable the program to search for updates automatically at specified intervals. You also can predefine scheduled updates to search by severity (critical updates, critical and recommended updates, or all updates). As a result, the list you choose from contains only those update types that are of interest to you.

To open System Update, see “Accessing Lenovo programs on the Windows 7 operating system” on page 15 or “Accessing Lenovo programs on the Windows 8.1 operating system” on page 16.

If System Update is not currently installed on your computer, you can download it from the Lenovo Support Web site at:

<http://www.lenovo.com/support>

---

## Cleaning and maintenance

With appropriate care and maintenance your computer will serve you reliably. The following topics offer information to help you keep your computer in top working order.

### Basics

Here are some basic points about keeping your computer functioning properly:

- Keep your computer in a clean, dry environment. Ensure that the computer rests on a flat, steady surface.
- Do not cover any of the vents in the computer or monitor. These vents provide airflow to keep your computer from overheating.
- Keep food and drinks away from all parts of your computer. Food particles and spills might make the keyboard and mouse stick and unusable.
- Do not get the power switches or other controls wet. Moisture can damage these parts and cause an electrical hazard.
- Always disconnect a power cord by grasping the plug instead of the cord.

### Cleaning your computer

It is a good practice to clean your computer periodically to protect the surfaces and ensure trouble-free operation.

#### **CAUTION:**

**Be sure to turn off the computer and monitor before cleaning the computer and monitor screen.**

### Computer

Use only mild cleaning solutions and a damp cloth to clean the painted surfaces of the computer.

### Keyboard

To clean your computer keyboard, do the following:



1. Apply some isopropyl rubbing alcohol to a soft, dust-free cloth.
2. Wipe each keytop surface with the cloth. Wipe the keys one by one; if you wipe several keys at a time, the cloth may hook onto an adjacent key and possibly damage it. Ensure that no liquid drips onto or between the keys.
3. To remove any crumbs or dust from beneath the keys, you can use a camera blower with a brush or cool air from a hair dryer.

**Note:** Avoid spraying cleaner directly onto the keyboard.

## Optical mouse

An optical mouse uses a light-emitting diode (LED) and an optical sensor to navigate the pointer. If the pointer on the screen does not move smoothly with the optical mouse, you might need to clean the mouse.

To clean an optical mouse, do the following:

1. Turn off your computer.
2. Disconnect the mouse cable from the computer.
3. Turn the mouse upside down to check the lens.
  - If there is a smudge on the lens, gently clean the area with a plain cotton-tipped swab.
  - If there is debris in the lens, gently blow the debris away from the area.
4. Check the surface on which you are using the mouse. If you have a very intricate picture or pattern beneath the mouse, it might be difficult for the digital signal processor to determine changes in the mouse position.
5. Reconnect the mouse cable to the computer.
6. Turn your computer back on.

## Display screen

Dust buildup compounds problems associated with glare. Remember to clean your monitor screen periodically.

### Cleaning a flat-panel monitor surface

To clean the flexible film surface of a flat-panel computer display, wipe it gently with a soft, dry cloth, or blow on the screen to remove grit and other loose particles. Then moisten a cloth with LCD cleaner and wipe the screen surface.

Many computer supply stores carry the special cleaning fluids for displays. Use cleaning fluids developed for LCD displays only. First apply the fluid to a lint-free, soft cloth, then clean the LCD display. Some computer supply stores carry pre-moistened towelettes for LCD maintenance.

### Cleaning a glass-screen surface

To clean a glass-screen surface, wipe it gently with a soft, dry cloth, or blow on the screen to remove grit and other loose particles. Then use a soft cloth moistened with a nonabrasive liquid glass cleaner.

## Good maintenance practices

By performing a few good maintenance practices, you can maintain good computer performance, protect your data, and be prepared in case of a computer failure.

- Empty your recycle bin on a regular basis.
- Use the disk defragmentation or disk optimization feature of your operating system occasionally to prevent performance problems caused by an excessive number of fragmented files.

- Clean out your Inbox, Sent Items, and Deleted Items folders in your e-mail application on a regular basis.
- Back up critical data regularly on removable media memory, such as discs and USB storage devices, and store the removable media in a safe location. The frequency of making backup copies depends on how critical the data is to you or your business.
- Back up your entire hard disk drive on a regular basis.
- Keep your computer software, device drivers, and operating system up-to-date. See “Keeping your computer current ” on page 51.
- Keep a log book. Entries might include major software or hardware changes, device-driver updates, intermittent problems and what you did to resolve them, and other issues you might have experienced. The cause of a problem might be change in hardware, change in software, or any other actions that might have taken place. A log book can help you or a Lenovo technician determines the cause of a problem.
- Create Product Recovery discs. See “Creating and using recovery media” on page 69 for more information about using Product Recovery discs to restore the hard disk drive to the factory-default settings.
- Create rescue media using discs or USB storage devices as early as possible. You can use a rescue medium to recover from failures that prevent you from gaining access to the Windows environment or the Rescue and Recovery workspace on your hard disk drive.

---

## Moving your computer

Take the following precautions before moving your computer:

1. Back up all files and data from the hard disk drive. There are a variety of backup programs available commercially. If you use the Windows 7 operating system, Lenovo provides the Rescue and Recovery program to help you back up and restore data. See “Performing backup and recovery operations” on page 70.
2. Remove all media from your computer, such as discs, USB storage devices, memory cards, and so on.
3. Turn off the computer and all attached devices. Your hard disk drive automatically parks the read/write head in a nondata area. This prevents damage to the hard disk drive.
4. Unplug the power cords from electrical outlets.
5. Disconnect communication cables, such as modem or network cables, from the outlets first, and then disconnect the other ends from the computer.
6. Note where any remaining cables are attached to the computer; then, remove them.
7. If you saved the original shipping cartons and packing materials, use them to pack the units. If you are using different cartons, cushion the units to avoid damage.

---

## Chapter 7. Troubleshooting and diagnostics

This chapter provides information about diagnosing and troubleshooting computer problems. If your computer problem is not described here, see Chapter 10 “Getting information, help, and service” on page 133 for additional troubleshooting resources.

---

### Basic troubleshooting

The following table provides some basic instructions to help you troubleshoot your computer problems.

**Note:** If you cannot correct the problem, have the computer serviced. For a list of service and support telephone numbers, refer to the *Safety, Warranty, and Setup Guide* that comes with your computer or go to the Lenovo Support Web site at:

<http://www.lenovo.com/support/phone>

Symptom	Action
The computer does not start when you press the power button.	Ensure that: <ul style="list-style-type: none"><li>• The power cord is correctly connected to the rear of the computer and to a working electrical outlet.</li><li>• If your computer has a secondary power switch on the rear of the computer, ensure that it is switched on.</li><li>• The power indicator on the front of the computer is on.</li><li>• The computer voltage matches the voltage available at the electrical outlet for your country or region.</li></ul>
The monitor screen is blank.	Ensure that: <ul style="list-style-type: none"><li>• The monitor signal cable is correctly connected to the monitor and to the appropriate monitor connector on the computer.</li><li>• The monitor power cord is correctly connected to the monitor and to a working electrical outlet.</li><li>• The monitor is turned on and the brightness and contrast is set correctly.</li><li>• The computer voltage matches the voltage available at the electrical outlet for your country or region.</li><li>• If your computer has a discrete graphics card installed, be sure to use a monitor connector on the discrete graphics card.</li></ul>
The keyboard does not work.	Ensure that: <ul style="list-style-type: none"><li>• The computer is turned on.</li><li>• The keyboard is securely connected to a PS/2 keyboard connector or a USB connector on the computer.</li><li>• No keys are stuck.</li></ul>
The mouse does not work.	Ensure that: <ul style="list-style-type: none"><li>• The computer is turned on.</li><li>• The mouse is securely connected to a PS/2 mouse connector or a USB connector on the computer.</li><li>• The mouse is clean. Refer to “Optical mouse” on page 53 for further information.</li></ul>

Symptom	Action
The operating system does not start.	Ensure that the startup sequence includes the device where the operating system resides. Usually, the operating system is on the hard disk drive. For more information, see “Selecting a startup device” on page 40.
The computer beeps multiple times before the operating system starts.	Ensure that no keys are stuck.

---

## Troubleshooting procedure

Use the following procedure as a starting point for diagnosing problems you are experiencing with your computer:

1. Ensure that the cables for all attached devices are connected correctly and securely.
2. Ensure that all attached devices that require ac power are connected to properly grounded, functioning electrical outlets.
3. Ensure that all attached devices are enabled in the BIOS settings of your computer. For more information about accessing and changing the BIOS settings, refer to “Using the Setup Utility program” on page 37.
4. Go to “Troubleshooting” on page 56 and follow the instructions for the type of problem you are experiencing. If the Troubleshooting information does not help you resolve a problem, continue with the next step.
5. Try using a previously captured configuration to see if a recent change to hardware or software settings has caused a problem. Before restoring a previous configuration, capture your current configuration in case the older configuration settings do not solve the problem or have adverse effects. To restore a captured configuration, do the following:
  - For Windows 7: Click **Start → Control Panel → System and Security → System → System Protection → System Restore**.
  - For Windows 8.1: Open Control Panel, and then click **System and Security → System → System Protection → System Restore**.

**Note:** For detailed information on how to open Control Panel on Windows 8.1, see “Accessing Control Panel on the Windows 8.1 operating system” on page 25.

If this does not correct the problem, continue with the next step.

6. Run the diagnostic program. See “Lenovo Solution Center” on page 66 for more information.
  - If the diagnostic program detects a hardware failure or if you are unable to run the diagnostic program, contact the Lenovo Customer Support Center. See Chapter 10 “Getting information, help, and service” on page 133 for more information.
  - If the diagnostic program does not detect a hardware failure, continue with the next step.
7. Use an antivirus program to see if your computer has been infected by a virus. If the program detects a virus, remove the virus.
8. If none of these actions solve the problem, seek technical assistance. See Chapter 10 “Getting information, help, and service” on page 133 for more information.

---

## Troubleshooting

Use the troubleshooting information to find solutions to problems that have definite symptoms.

If the symptom occurred immediately after you installed new software or a new hardware option, do the following before referring to the troubleshooting information:

1. Remove the new hardware option or software. If you must remove the computer cover to remove a hardware option, ensure that you review and follow the electrical safety information provided with your computer. For your safety, do not operate the computer with the cover removed.
2. Run the diagnostic program to ensure your computer is operating correctly.
3. Reinstall the new hardware option or software following the instructions provided by the manufacturer.

## Audio problems

This section provides solutions to audio-related problems.

### No audio in Windows

Solutions:

- If you are using powered external speakers that have an On/Off control, ensure the following:
  - The On/Off control is set to the **On** position.
  - The speaker power cable is connected to a properly grounded, functional ac electrical outlet.
- If your external speakers have a volume control, ensure that the volume is not set too low.
- On the Windows desktop, click the speaker icon in the Windows notification area. Then click **Mixer**. Ensure that the mute speakers settings are not selected and none of the volume settings is set too low.
- Some models have a front audio panel you can use to adjust volume. If you have a front audio panel, ensure that the volume is not set too low.
- Ensure that your external speakers (and headphones, if used) are connected to the correct audio connector on the computer. Most speaker cables are color-coded to match the connector.

**Note:** When external-speaker or headphone cables are attached to the audio connector, the internal speaker, if present, is disabled. In most cases, if an audio adapter is installed in one of the expansion slots, the audio function built into the system board is disabled. Therefore, you must use the audio connectors on the audio adapter.

- Ensure that the program you are running is designed for use in the Microsoft Windows operating system. If the program is designed to run in DOS, the program does not use the Windows sound feature. The program must be configured to use SoundBlaster Pro or SoundBlaster emulation.
- Ensure that the audio device drivers are correctly installed. See Windows Help and Support information system for more information.

### Sound comes from one external speaker only

Solutions:

- Ensure that the speaker cable is inserted completely into the connector on the computer.
- Ensure that the cable that attaches the left speaker to the right speaker is securely connected.
- Click the speaker icon in the Windows notification area. Then click the speaker icon on top of the volume control. Click the **Levels** tab and ensure that the Balance settings are set correctly .

## CD problems

This section provides solutions to CD-related problems.

### An audio disc or AutoPlay-enabled disc does not automatically play when it is inserted into a CD drive

Solutions:

- If you have multiple CD or DVD drives installed (or a combination of CD and DVD drives), try inserting the disc into the other drive. In some cases, only one of the drives is connected to the audio subsystem.

- If this does not correct the problem, follow the solutions for “A CD or DVD does not work” on page 58.

### **A CD or DVD does not work**

Solutions:

- Ensure that the disc is inserted correctly, with its label up.
- Ensure that the disc you are using is clean. To remove dust or fingerprints, wipe the disc clean with a soft cloth from the center to the outside. Wiping a disc in a circular motion might cause loss of data.
- Ensure that the disc you are using is not scratched or damaged. Try inserting another disc that you know is good. If you cannot read from a known-good disc, you might have a problem with your optical drive or the cabling to your optical drive. Ensure that the power cable and signal cable are securely connected to the drive.

### **Unable to use a bootable recovery medium, such as the Product Recovery CD, to start your computer**

Solution: Ensure that the CD or DVD drive is in the startup sequence before the hard disk drive. Refer to “Selecting or changing the startup device sequence” on page 40 for information on viewing and changing the startup sequence. Note that on some models the startup sequence is permanently set and cannot be changed.

## **DVD problems**

This section provides solutions to DVD-related problems.

### **Black screen instead of DVD video**

Solutions:

- Restart the DVD player program.
- Try a lower screen resolution or color depth.
- Close any open files, and then restart the computer.

### **DVD movie does not play**

Solutions:

- Ensure that the disc surface is clean and not scratched.
- Check the disc or package for regional coding. You might need to purchase a disc with coding for the region where you are using your computer.

### **No audio or intermittent audio while playing a DVD movie**

Solutions:

- Check the volume control settings on your computer and on your speakers.
- Ensure that the disc surface is clean and not scratched.
- Check all cable connections to and from the speakers.
- Use the DVD menu for the video to select a different audio track.

### **Playback is slow or choppy**

Solutions:

- Disable any background programs, such as AntiVirus or Desktop Themes.
- Ensure that video resolution is set to less than 1152 x 864 pixels.

## Invalid disc or no disc found message

Solutions:

- Ensure that a DVD disc is in the drive with the shiny side of the disc facing down.
- Ensure that video resolution is set to less than 1152 x 864 pixels.
- On computers that have a CD-ROM or CD-RW drive in addition to a DVD-ROM drive, ensure that the DVD disc is in the drive labeled “DVD”.

## Intermittent problems

Some problems occur only occasionally and are difficult to repeat.

Solutions:

- Ensure that all cables and cords are securely connected to the computer and attached devices.
- Ensure that when the computer is on, the fan grill is not blocked (there is air flow around the grill), and the fans are working. If airflow is blocked or the fans are not working, the computer might overheat.
- If Small Computer System Interface (SCSI) devices are installed, ensure that the last external device in each SCSI chain is terminated correctly. For more information, see your SCSI documentation.

## Hard disk drive problems

Select your symptom from the following list:

- “Some or all hard disk drives missing from the Setup Utility program” on page 59
- ““No Operating System Found” message or the system not starting from the correct hard disk drive” on page 59

### Some or all hard disk drives missing from the Setup Utility program

Symptom: Some or all hard disk drives missing from the Setup Utility program

Actions:

- Ensure that all hard disk drive signal cables and power cables are connected correctly.
- Ensure that your computer is configured correctly to support the hard disk drives.
  - If your computer is installed with five SATA hard disk drives, ensure that the SATA hard disk drive enablement module (one to five hard disk drives) is installed.
  - If your computer is installed with SAS hard disk drives, ensure that the SAS hard disk drive enablement module (one to five hard disk drives) or the LSI MegaRAID SAS adapter is installed.

If these actions do not correct the problem, run the diagnostic program Lenovo Solution Center. See “Lenovo Solution Center” on page 66. If you need technical assistance, see Chapter 10 “Getting information, help, and service” on page 133.

### “No Operating System Found” message or the system not starting from the correct hard disk drive

Symptom: “No Operating System Found” message or the system not starting from the correct hard disk drive

Actions:

- Ensure that all hard disk drive signal cables and power cables are connected correctly. Refer to “Installing or replacing a 3.5-inch storage drive in the storage drive bay” on page 88.

- Ensure that the hard disk drive your computer starts from is listed as the first startup device in the Setup Utility program. Refer to “Selecting a startup device” on page 40.

**Note:** In rare cases, the hard disk drive with the operating system might get corrupted or damaged. In such cases, you might need to replace the hard disk drive. Refer to “Installing or replacing a 3.5-inch storage drive in the storage drive bay” on page 88.

If these actions do not correct the problem, run the diagnostic program Lenovo Solution Center. See “Lenovo Solution Center” on page 66.

## Problems with the keyboard or mouse

This section provides solutions to keyboard-related and mouse-related problems.

### Keys on the keyboard do not work

Solutions:

- Connect the keyboard cable to a USB connector or PS/2 keyboard connector.
- If you are using a USB keyboard, enable the USB connectors in the BIOS settings. For more information, see “Enabling or disabling a device” on page 39.
- If you are using an Enhanced Performance USB keyboard, use the help system in the Enhanced Performance Customization Keyboard program to help diagnose problems.

To open the Enhanced Performance Customization Keyboard program, do one of the following:

- On Windows 7:
  1. Click **Start → Control Panel**.
  2. Click **Hardware and Sound**.
  3. Click **Devices and Printers**.
  4. Double-click **USB Enhanced Performance Keyboard**.
- On Windows 8.1:
  1. Open Control Panel. For more information, see “Accessing Control Panel on the Windows 8.1 operating system” on page 25.
  2. Click **Hardware and Sound**.
  3. Click **Devices and Printers**.
  4. Double-click **USB Enhanced Performance Keyboard**.

### The mouse does not work

Solutions:

- Connect the mouse cable to a USB connector or PS/2 mouse connector.

**Note:** Depending on your keyboard, integrated USB connectors might be available to be used to connect a USB mouse.

- Install the device drivers for the mouse.
- If you are using a USB mouse, enable the USB connectors in the BIOS settings. For more information, see “Enabling or disabling a device” on page 39.

### The pointer on the screen does not move smoothly with the mouse

Solution: Clean the mouse. For more information, see “Optical mouse” on page 53.



## The fingerprint reader on the keyboard does not work

Solutions:

- Enroll your fingerprint correctly.
- Never scratch the surface of the reader with a hard, pointed object.
- Never scarp the surface of the reader with your nail or anything hard.
- Use or touch the reader with a clean finger.
- Ensure that the surface of your finger is the same with the one when you last enrolled.

## The wireless keyboard does not work

Solutions:

- If the transceiver communications LED is not on, reconnect the transceiver and the keyboard.
- If the wireless keyboard does not work when the transceiver communications LED is on, restart your computer.

If the problem persists after the restart, ensure that:

- The batteries are installed correctly.
- The batteries still retain their current.
- The distance from the wireless keyboard to the transceiver is less than 10 m (393.7 inches).
- The transceiver is installed fully.

## Monitor problems

This section provides solutions to monitor-related problems.

### My screen goes blank while the computer is on

Solutions: Your screen saver or power management might have been enabled. Do one of the following:

- Press a key to exit the screen saver.
- Press the power button to resume the computer from sleep or hibernation mode.

### The monitor works when I turn on the computer, but goes blank when I start some application programs

Solutions:

- Connect the monitor signal cable from your monitor to an appropriate connector on the computer. A loose cable might cause intermittent problems.
- Install the device drivers for the application programs. Refer to the documentation for the affected application program to check whether any device drivers are required.

### The image appears to be flickering

Solution: Reset the refresh rate.

1. Open Control Panel.

**Note:** To open Control Panel on Windows 8.1, see “Accessing Control Panel on the Windows 8.1 operating system” on page 25

2. Click **Hardware and Sound** → **Adjust screen resolution** → **Advanced settings**.
3. Click the **Monitor** tab to reset the refresh rate.

Set the refresh rate to be the highest, noninterlaced refresh rate supported on your computer. Refer to the documentation that comes with your monitor for the supported refresh rates.

### **The image is discolored**

Solution: The monitor might be affected by interference from nearby equipment. Move fluorescent desk lighting or any equipment that produces magnetic fields further away from the monitor. If the problem persists, do the following:

1. Turn off the monitor.
2. Adjust the placement of the monitor and other devices so that they are at least 305 mm (12 inches) apart.
3. Turn on the monitor.

## **Networking problems**

This section provides solutions to networking-related problems.

### **Ethernet problems**

#### **My computer cannot be connected to the network**

Solutions:

- Connect the cable from the Ethernet connector to the RJ45 connector of the hub.
- Have the latest device driver installed on your computer.

To check whether you are using the latest device driver, do one of the following:

– On Windows 7:

1. Click **Start → Control Panel**.
2. Click **Hardware and Sound**.
3. Click **Device Manager**. Type the administrator password or provide confirmation if prompted.
4. If an exclamation mark is displayed next to an adapter name under **Network adapters**, the adapter driver might not be the latest or is disabled. Right-click the highlighted adapter to update the driver.
5. Click **Update Driver Software**, and then follow the instructions on the screen.

– On Windows 8.1:

1. Open Control Panel. For more information, see “Accessing Control Panel on the Windows 8.1 operating system” on page 25.
2. Click **Hardware and Sound**.
3. Click **Device Manager**. Type the administrator password or provide confirmation if prompted.
4. If an exclamation mark is displayed next to an adapter name under **Network adapters**, the adapter driver might not be correct or is disabled. Right-click the highlighted adapter to update the driver.
5. Click **Update Driver Software**, and then follow the instructions on the screen.

- Set the same duplex for the switch port and the adapter.

If you configured the adapter for full duplex, ensure that the switch port is also configured for full duplex. Setting the wrong duplex mode might degrade performance, cause data loss, or result in lost connections.

- Install all networking software that is necessary for your network environment.

Check with your LAN administrator for the necessary networking software.

#### **The adapter stops working for no reason**

Solution: The network driver files might be corrupt or missing. Update the driver by referring to the “Solution” description for the previous problem to ensure that the latest device driver is installed.

### **The Wake On LAN feature is not working**

Solution: Enable the Wake On LAN (WOL) feature in the BIOS program.

### **My computer is a Gigabit Ethernet model and I use a speed of 1000 Mbps, but the connection fails or errors occur**

Solution: Connect the network cable to the Ethernet connector using Category 5 wiring and a 100 BASE-T hub/switch (not 100 BASE-X).

### **My computer is a Gigabit Ethernet model, but it cannot be connected to the network at 1000 Mbps, but at only 100 Mbps**

Solutions:

- Try another cable.
- Set the link partner to auto-negotiate.
- Set the switch to be 802.3ab-compliant (gigabit over copper).

### **I have connected an option to my computer, but it does not work**

Solution: Refer to the documentation that comes with the option to ensure that you have connected the option correctly.

## **Performance and lockup problems**

This section provides solutions to performance-related problems of your computer.

### **Insufficient free hard disk drive space**

Solution: Free up hard disk drive space.

- Method 1
  1. Click **Start → Computer** on Windows 7 or open File Explorer on Windows 8.1.
  2. Right-click your C drive entry and then click **Properties**.
  3. Click **Disk Cleanup**, and then follow the instructions on the screen.
- Method 2
  1. Open Control Panel.

**Note:** For detailed information on how to open Control Panel on Windows 8.1, see “Accessing Control Panel on the Windows 8.1 operating system” on page 25.
  2. Click **Programs**.
  3. Click **Turn Windows features on or off**, and then follow the instructions on the screen.
- Method 3
  1. Click **Start → Computer** on Windows 7 or open File Explorer on Windows 8.1.
  2. Right-click your C drive entry and then click **Properties**.
  3. Click **Disk Cleanup**.
  4. Click **Clean up system files**.
  5. Click the **More Options** tab.
  6. Click **Clean up** in the **Programs and Features** area, and then follow the instructions on the screen.
- Clean out your Inbox, Sent Items, and Deleted Items folders from your e-mail application. The folder names and procedures vary depending on your e-mail application. If you need assistance, see the help system for your e-mail application.

## Excessive number of fragmented files

Solution: Use the Windows disk defragmentation or disk optimization feature to clean up the files.

**Note:** Depending on the volume of the hard disk drives and amount of data stored on the hard disk drives, the disk-defragmentation process might take up to several hours.

- On Windows 7:
  1. Close any open programs and windows.
  2. Click **Start → Computer**.
  3. Right-click your C drive entry and then click **Properties**.
  4. Click **Defragment now** under the **Tools** tab to start a disk-defragmentation process.
- On Windows 8.1:
  1. Close any open programs and windows.
  2. Open File Explorer.
  3. Right-click your C drive entry and then click **Properties**.
  4. Click **Optimize** under the **Tools** tab to start a disk-defragmentation process.

## Insufficient memory

Solution: Install additional memory modules. For instructions on installing memory modules, see “Installing or replacing a memory module” on page 124.

To purchase memory modules, go to:  
<http://www.lenovo.com>

## The printer does not work

Solutions:

- If you are using IEEE-approved printer signal cables, do the following:
  1. Connect the printer signal cable firmly to the correct parallel, serial, or USB connector on the computer.
  2. Load the paper correctly.
  3. Turn on the printer and keep the printer online.
- If you are using non-IEEE-approved printer signal cables, do the following:
  1. Correctly install device drivers and software that come with the printer.
  2. Assign the printer port correctly in your operating system, application program, or BIOS settings. For more information about BIOS settings, see “Using the Setup Utility program” on page 37.

If the problem persists, run the tests described in the documentation that comes with your printer. If you cannot correct the problem, have the computer serviced. See Chapter 10 “Getting information, help, and service” on page 133.

## Serial connector cannot be accessed

Solutions:

- Connect the serial cable to the serial connector on the computer and to the serial device. If the serial device has its own power cord, attach the power cord to a grounded electrical outlet.
- Turn on the serial device and keep the device online.

- Install any application programs supplied with the serial device. Refer to the documentation that comes with the serial device for more information.
- If you added one serial-connector adapter, install the adapter correctly.

## Software problems

This section provides solutions to software-related problems.

### When using a sort feature, dates cannot be sorted in the correct order

Solution: Some programs developed before the year 2000 used only the last two digits of a year to sort dates, assuming the first two digits were 19. Consequently, dates cannot be sorted in the correct order. Check with your software manufacturer to see if any updates are available. Many software manufacturers make updates available from the World Wide Web.

### Some application programs do not work as expected

Solutions:

- If you are having difficulty with performing a specific task within an application program, refer to the help system for the program.
- If you are having difficulty with the Windows operating system or one of its components, refer to the Windows help system.
- Check whether the problems are caused by a newly-installed application program.
  1. Ensure that the software is compatible with your computer. Refer to the information supplied with the software for more information.
  2. Verify that other software works correctly on your computer.
  3. Verify that the software you are using works on another computer.
- If you received any error messages while using the program, see the printed documentation that comes with the program or the help system for solutions.
- Check if any updates are available from your manufacturer or Web site. Many software manufacturers make updates available from the World Wide Web.
- If the software program used to work correctly, but does not work correctly now, uninstall the application program and reinstall it.

### My USB connectors cannot be accessed

Solutions:

- Connect the USB cable from the USB connector to the USB device. If the USB device has its own power cord, attach the power cord to a grounded electrical outlet.
- Turn on the USB device and keep the device online.
- Install any device drivers or application programs supplied with the USB device. Refer to the documentation that comes with the USB device for more information.
- Detach and reattach the USB connector to reset the USB device.

---

## Diagnostics

The diagnostic program is used to test hardware components of your computer. The diagnostic program can also report operating-system-controlled settings that interfere with the correct operation of your computer. You can use the preinstalled diagnostic program to diagnose computer problems, if your computer is running the Windows operating system.

**Notes:**

1. Your computer is preinstalled with the Lenovo Solution Center program for diagnostic purposes. For more information about the Lenovo Solution Center program, see “Lenovo Solution Center” on page 66.
2. If you are unable to isolate and repair the problem yourself after running the diagnostic program, save and print the log files created by the diagnostic program. You will need the log files when you speak to a Lenovo technical support representative.

## Lenovo Solution Center

The Lenovo Solution Center program enables you to troubleshoot and resolve computer problems. It combines diagnostic tests, system information collection, security status, and support information, along with hints and tips for maximum system performance.

- You can download the Lenovo Solution Center program from <http://www.lenovo.com/diags>.
- If you are using a Windows operating system other than Windows 7 or Windows 8.1, go to <http://www.lenovo.com/diags> for the latest information on diagnostics for your computer.

To run the Lenovo Solution Center program, see “Lenovo programs” on page 15.

**Note:** If you cannot isolate and repair the problem yourself after running the program, save and print the log files. You will need the log files when you speak to a Lenovo technical support representative.

For additional information, refer to the Lenovo Solution Center help system.

## Hardware diagnostics

Your computer supports the hardware diagnostics function. This function enables your computer to monitor some hardware components in real time for potential issues that might not be easily detectable during normal use. When the computer detects an issue or error, the diagnostic indicator on the front of the computer is illuminated or blinks. See “Locating connectors, controls, and indicators on the front of your computer” on page 2.

For information about the issue or error, do the following:

1. Connect either of the following devices to the diagnostic USB connector on the front of the computer:
  - A USB key
  - An Android™ device with the Lenovo Mobile Diagnostic application installed

See “Locating connectors, controls, and indicators on the front of your computer” on page 2.

2. Wait about 10 to 15 seconds for the diagnostic data to transfer from the computer to the USB device. During the data transfer, the diagnostic indicator blinks quickly. When the data transfer finishes, the indicator stops blinking and stays on.

**Note:** Diagnostic data is available for transfer through the diagnostic USB connector only when the diagnostic indicator is illuminated or blinks at an error detection. In normal conditions, the diagnostic USB connector functions as a standard USB 3.0 connector.

3. Depending on whether you are using a USB key or an Android device (such as a smartphone), do one of the following:
  - If you are using a USB key, go to <http://www.lenovo.com/support> for information about how to read the error data on the USB key.
  - If you are using an Android device with the Lenovo Mobile Diagnostic application installed, open the application for details about the error.

For more information about how to use the diagnostic USB connector on your computer, decipher the error codes, or use the Lenovo Mobile Diagnostic application, go to <http://www.lenovo.com/support>.

The hardware diagnostic function is enabled on your computer by default. To disable the function, do the following:

1. Start the Setup Utility program. See “Starting the Setup Utility program” on page 37.
2. From the Setup Utility program main menu, select **Advanced → Diagnostic function**, and then press Enter.
3. Select **Real-time Diagnostic Monitoring** and press Enter. Then select **Disabled** and press Enter.
4. Press F10 to save changes and exit the Setup Utility program.





---

## Chapter 8. Recovery information

This chapter provides information about the recovery solutions. There are a variety of methods to choose from when considering how to recover from a software- or hardware-related problem. Some methods vary depending on the type of operating system that is installed. You can restore the computer settings using a program or the recovery disc set. For more information about using the recovery disc set, see the documentation that comes with the disc set.

This chapter contains the following topics:

- “Recovery information for the Windows 7 operating system” on page 69
- “Recovery information for the Windows 8.1 operating system” on page 74

---

### Recovery information for the Windows 7 operating system

The recovery information in this section only applies to the computers that have the Rescue and Recovery program or the Product Recovery program installed. If the **Enhanced Backup and Restore** icon in the Lenovo ThinkVantage Tools program is dimmed, it indicates that you must install the Rescue and Recovery program manually before enabling its features. To install the Rescue and Recovery program, do the following:

1. Click **Start** → **All Programs** → **Lenovo ThinkVantage Tools**, and double-click **Enhanced Backup and Restore**.
2. Follow the instructions on the screen.
3. When the installation process finishes, the **Enhanced Backup and Restore** icon is activated.

This section contains the following topics:

- “Creating and using recovery media” on page 69
- “Performing backup and recovery operations” on page 70
- “Creating and using a rescue medium” on page 72
- “Reinstalling programs and device drivers” on page 72
- “Solving recovery problems” on page 74

### Creating and using recovery media

Recovery media enable you to restore the hard disk drive to the factory-default state and put the computer in an operational state after all other recovery methods have failed. Recovery media are useful if you transfer the computer to another area, sell the computer, or recycle the computer. As a precautionary measure, it is important to create recovery media as early as possible. The data on the recovery media can be used for the following purposes:

- Reinstall the programs and device drivers on your computer
- Reinstall the operating system
- Modify the data files on the hard disk drive using the Additional Files

**Note:** The recovery operations you can perform using recovery media vary depending on the operating system from which the recovery media were created. The recovery media might contain a boot medium and a data medium. Your Microsoft Windows license permits you to create only one data medium. It is recommended that you store the recovery media in a safe place after you have made them.

## Creating recovery media

**Note:** On the Windows 7 operating system, you can create recovery media using discs or external USB storage devices.

To create recovery media on the Windows 7 operating system, click **Start → All Programs → Lenovo ThinkVantage Tools → Factory Recovery Disks**. Then, follow the instructions on the screen.

## Using recovery media

**Attention:** When you use recovery media to restore the hard disk drive to the factory-default state, all the files currently on the hard disk drive will be deleted. These files will be replaced by the factory-default files.

To use recovery media on the Windows 7 operating system, do the following:

1. Depending on the type of your recovery media, connect the boot USB storage device to the computer, or insert the boot disc into the optical drive.
2. Turn on or restart your computer.
3. When you see the logo screen, repeatedly press and release the F12 key. The Startup Device Menu window is displayed.
4. Select the desired startup device and press Enter. The restore process begins.
5. Follow the instructions on the screen to complete the operation.

**Note:** After restoring your computer hard disk drive to the factory-default state, you might have to reinstall device drivers for some devices. See “Reinstalling programs and device drivers” on page 72.

## Performing backup and recovery operations

The Rescue and Recovery program enables you to back up all your hard disk drive contents including the operating system, data files, software programs, and personal settings. You can store the backup at the following locations:

- The Rescue and Recovery workspace
- The secondary hard disk drive if a secondary hard disk drive is installed in your computer
- An external USB hard disk drive connected to your computer
- A network drive
- Recordable discs (a recordable optical drive is required for this option)

After you have completed the backup operation, you can restore parts or whole of the data on the hard disk drive.

### Performing a backup operation

To perform a backup operation using the Rescue and Recovery program on the Windows 7 operating system, do the following:

1. From the Windows desktop, click **Start → All Programs → Lenovo ThinkVantage Tools → Enhanced Backup and Restore**. The Rescue and Recovery program opens.
2. In the Rescue and Recovery main window, click the **Launch advanced Rescue and Recovery** arrow.
3. Click **Back up your hard drive** and select backup operation options. Then, follow the instructions on the screen to complete the backup operation.

### Performing a recovery operation

This section provides the following topics:

- “Performing a recovery operation from Windows 7” on page 71

- “Performing a recovery operation from the Rescue and Recovery workspace” on page 71

### Performing a recovery operation from Windows 7

To perform a recovery operation using the Rescue and Recovery program on the Windows 7 operating system, do the following:

1. From the Windows desktop, click **Start → All Programs → Lenovo ThinkVantage Tools → Enhanced Backup and Restore**. The Rescue and Recovery program opens.
2. In the Rescue and Recovery main window, click the **Launch advanced Rescue and Recovery** arrow.
3. Click the **Restore your system from a backup** icon.
4. Follow the instructions on the screen to complete the recovery operation.

### Performing a recovery operation from the Rescue and Recovery workspace

The Rescue and Recovery workspace resides in a protected and hidden area of your hard disk drive that operates independently from the Windows operating system. The Rescue and Recovery workspace enables you to perform recovery operations even if you cannot start the Windows operating system. You can perform the following recovery operations from the Rescue and Recovery workspace:

- **Rescue files from your hard disk drive or from a backup:**  
You can locate files on your hard disk drive and transfer them to a network drive or other recordable media, such as a USB device or a disc. This solution is available even if you did not back up your files or if changes were made to the files since your last backup operation. You also can rescue individual files from a Rescue and Recovery backup located on your local hard disk drive, a USB device, or a network drive.
- **Restore your hard disk drive from a Rescue and Recovery backup:**  
If you have backed up your hard disk drive using the Rescue and Recovery program, you can restore the hard disk drive from a Rescue and Recovery backup, even if you cannot start the Windows operating system.
- **Restore your hard disk drive to the factory-default state:**  
You can restore the complete contents of your hard disk drive to the factory-default state even if you cannot start the Windows operating system. If you have multiple partitions on your hard disk drive, you have the option to restore the C: partition and leave the other partitions intact.

**Attention:** You can restore the hard disk drive from a Rescue and Recovery backup or restore the hard disk drive to the factory-default settings. During either process, all files on the primary hard disk drive partition (usually drive C:) will be deleted. If possible, make copies of important files. If you cannot start the Windows operating system, you can use the rescue files feature of the Rescue and Recovery workspace to copy files from your hard disk drive to other media.

To perform a recovery operation from the Rescue and Recovery workspace, do the following:

1. Turn on or restart your computer.
2. When you see the logo screen, press Enter, and then press F11 to enter the Rescue and Recovery workspace.
3. If you have set a Rescue and Recovery password, enter your password when prompted. The Rescue and Recovery workspace opens after a short delay.

**Note:** If the Rescue and Recovery workspace fails to open, see “Solving recovery problems” on page 74.

4. Do one of the following:
  - To rescue files from your hard disk drive, click **Rescue files** and follow the instructions on the screen.
  - To restore your hard disk drive from a Rescue and Recovery backup or to restore your hard disk drive to the factory-default state, click **Full Restore** and follow the on-screen instructions.

**Note:** After restoring your computer hard disk drive to the factory-default state, you might have to reinstall device drivers for some devices. See “Reinstalling programs and device drivers” on page 72.

For more information about the features of the Rescue and Recovery workspace, click **Help**.

## Creating and using a rescue medium

Create rescue media using discs or USB storage devices as early as possible. You can use a rescue medium to recover from failures that prevent you from gaining access to the Windows environment or the Rescue and Recovery workspace on your hard disk drive.

### Notes:

- The recovery operations you can perform using a rescue medium vary depending on the operating system.
- The rescue disc can be started in all types of optical drives.

## Creating a rescue medium

To create a rescue medium on the Windows 7 operating system, do the following:

1. From the Windows desktop, click **Start → All Programs → Lenovo ThinkVantage Tools → Enhanced Backup and Restore**. The Rescue and Recovery program opens.
2. In the Rescue and Recovery main window, click the **Launch advanced Rescue and Recovery** arrow.
3. Click the **Create Rescue Media** icon. The “Create Rescue and Recovery Media” window opens.
4. In the **Rescue Media** area, select the type of the rescue medium you want to create. You can create a rescue medium using a disc, a USB storage device with sufficient capacity, or a secondary internal hard disk drive.
5. Click **OK** and follow the instructions on the screen to create a rescue medium.

## Using a rescue medium

Depending on whether you have created a rescue medium using a disc or a USB hard disk drive, do one of the following:

- If you have created a rescue medium using a disc, do the following:
  1. Turn on or restart your computer.
  2. When you see the logo screen, repeatedly press and release the F12 key. The Startup Device Menu window is displayed.
  3. Select the desired optical drive as the first boot device. Then, insert the rescue disc into the optical drive and press Enter. The rescue medium starts.
- If you have created a rescue medium using a USB hard disk drive, do the following:
  1. Connect the USB hard disk drive to one of the USB connectors on your computer.
  2. Turn on or restart your computer.
  3. When you see the logo screen, repeatedly press and release the F12 key. The Startup Device Menu window is displayed.
  4. Select the USB hard disk drive as the first boot device and press Enter. The rescue medium starts.

When the rescue medium starts, the Rescue and Recovery workspace opens. The help information for each feature is available from the Rescue and Recovery workspace. Follow the instructions to complete the recovery process.

## Reinstalling programs and device drivers

This section provides the following items:

- “Reinstalling preinstalled programs and device drivers” on page 73
- “Reinstalling programs and device drivers that are not preinstalled” on page 73

## Reinstalling preinstalled programs and device drivers

Your computer enables you to reinstall preinstalled programs and device drivers.

### Reinstalling preinstalled programs

To reinstall programs preinstalled on your Lenovo computer, do the following:

1. Turn on the computer.
2. Go to C:\SWTOOLS.
3. Open the apps folder and locate the subfolder that is named after the program preinstalled on your computer.
4. Open the subfolder and locate the EXE file.
5. Double-click the EXE file and follow the instructions on the screen to complete the installation.

### Reinstalling preinstalled device drivers

**Attention:** Reinstalling device drivers will change the current configuration of your computer. Reinstall device drivers only when it is necessary to correct a problem with your computer.

To reinstall the device driver for a factory-installed device, do the following:

1. Turn on the computer.
2. Go to C:\SWTOOLS.
3. Open the DRIVERS folder and locate the subfolder that is named after the factory-installed device in your computer, such as AUDIO or VIDEO.
4. Open the subfolder.
5. Do one of the following:
  - Locate the EXE file. Double-click the EXE file and follow the instructions on the screen to complete the installation.
  - Locate the readme file with the .txt extension. The device driver installation information is included in the readme file. Follow the instructions to complete the installation.
  - If the device subfolder contains an INF file and you want to install the device driver using the INF file, see the Windows Help and Support information system for detailed information.

**Note:** For more information about the latest device drivers, see “Getting the latest device drivers for your computer” on page 51.

## Reinstalling programs and device drivers that are not preinstalled

Your computer enables you to reinstall programs and device drivers that are not preinstalled.

### Reinstalling programs that are not preinstalled

If a software program you installed on your computer is not working correctly, you might need to uninstall and then reinstall it. Reinstalling a program overwrites the existing program files and usually fixes any problems that you might have had with the program.

To uninstall a program from your system, refer to the Microsoft Windows help system.

To reinstall most commercially available programs on your system, refer to the Microsoft Windows help system together with the documentation provided with the program.

### Reinstalling device drivers that are not preinstalled

To reinstall a device driver for an option you installed, refer to the documentation that comes with the option.

**Note:** Reinstall device drivers will change the current configuration of your computer. Reinstall device drivers only when it is necessary to correct a problem with your computer.

## Solving recovery problems

**Note:** Ensure that your rescue device is set as the first boot device in the startup device sequence in the Setup Utility program. See “Selecting a startup device” on page 40 for detailed information about temporarily or permanently changing the startup device sequence. For more information about the Setup Utility program, see “Using the Setup Utility program” on page 37.

If you cannot access the Rescue and Recovery workspace or the Windows environment, do one of the following:

- Use a rescue medium to start the Rescue and Recovery workspace. See “Creating and using a rescue medium” on page 72.
- Use recovery media if all other methods of recovery have failed and you must restore the hard disk drive to the factory-default settings. See “Creating and using recovery media” on page 69.

It is important to create a rescue medium and a set of recovery media as early as possible and store them in a safe place for future use.

---

## Recovery information for the Windows 8.1 operating system

This section contains the following topics:

- “Refreshing your computer” on page 74
- “Resetting your computer to the factory-default settings” on page 74
- “Using the advanced startup options” on page 75
- “Recovering your operating system if Windows 8.1 fails to start” on page 75

### Refreshing your computer

If your computer does not perform well and the problem might be caused by a recently installed program, you can refresh your computer.

**Attention:** If you refresh your computer, the programs preinstalled on your computer and the programs that you installed from Windows Store will be reinstalled. However, all other programs will be uninstalled.

To refresh your computer, do the following:

1. Move the pointer to the top-right or bottom-right corner of the screen to display the charms. Click **Settings → Change PC settings → Update and recovery → Recovery**.
2. In the **Refresh your PC without affecting your files** section, click **Get started**.

### Resetting your computer to the factory-default settings

You can reset your computer to the factory-default settings. Resetting the computer will reinstall the operating system and all the programs that come with your computer.

**Attention:** If you reset your computer, all your personal files and settings will be deleted. To avoid data loss, make a backup copy of all the data that you want to keep.

To reset your computer, do the following:

1. Move the pointer to the top-right or bottom-right corner of the screen to display the charms. Click **Settings → Change PC settings → Update and recovery → Recovery**.

2. In the **Remove everything and reinstall Windows** section, click **Get started**.

## Using the advanced startup options

Advanced startup options enable you to change the startup settings of your Windows operating system, start the computer from an external device, or restore the Windows operating system from a system image.

To use the advanced startup options, do the following:

1. Move the pointer to the top-right or bottom-right corner of the screen to display the charms. Click **Settings → Change PC settings → Update and recovery → Recovery**.
2. In the **Advanced startup** section, click **Restart now → Troubleshoot → Advanced options**.
3. Restart your computer following the instructions on the screen.

## Recovering your operating system if Windows 8.1 fails to start

The Windows recovery environment on your computer is capable of operating independently from the Windows 8.1 operating system. It enables you to recover or repair the operating system even if the Windows 8.1 operating system fails to start.

After two consecutive failed boot attempts, the Windows recovery environment starts automatically. Then you can choose repair and recovery options by following the instructions on the screen.

**Note:** Ensure that your computer is connected to ac power during the recovery process.

For more details about the recovery solutions provided on computers preinstalled with the Windows 8.1 operating system, refer to the help information system of the Windows 8.1 operating system.





---

## Chapter 9. Installing or replacing hardware

This chapter provides instructions on how to install or replace hardware for your computer.

---

### Handling static-sensitive devices

Do not open the static-protective package containing the new part until the defective part has been removed and you are ready to install the new part. Static electricity, although harmless to you, can seriously damage computer components and parts.

When you handle parts and other computer components, take these precautions to avoid static-electricity damage:

- Limit your movement. Movement can cause static electricity to build up around you.
- Always handle parts and other computer components carefully. Handle PCI cards, memory modules, system boards, and microprocessors by the edges. Never touch any exposed circuitry.
- Prevent others from touching the parts and other computer components.
- Touch the static-protective package containing the part to a metal expansion-slot cover or other unpainted metal surface on the computer for at least two seconds. This reduces static electricity from the package and your body before you install or replace a new part.
- When possible, remove the new part from the static-protective package, and install it directly in the computer without setting the part down. When this is not possible, place the static-protective package that the part came in on a smooth, level surface and place the part on the package.
- Do not place the part on the computer cover or other metal surface.

---

### Installing or replacing hardware

This section provides instructions on how to install or replace hardware for your computer. You can expand the capabilities of your computer and maintain your computer by installing or replacing hardware.

**Attention:** Do not open your computer or attempt any repair before reading and understanding the “Read this first: Important safety information” on page v.

#### Notes:

- Use only computer parts provided by Lenovo.
- When installing or replacing an option, use the appropriate instructions in this section along with the instructions that come with the option.

### Installing external options

You can connect external options to your computer, such as external speakers, a printer, or a scanner. For some external options, you must install additional software in addition to making the physical connection. When installing an external option, see “Locating connectors, controls, and indicators on the front of your computer” on page 2 and “Locating connectors on the rear of your computer” on page 2 to identify the required connector. Use the instructions shipped with the option to help you make the connection and install any software or device drivers that are required for the option.

### Removing the computer cover

**Attention:** Do not open your computer or attempt any repair before reading and understanding the “Read this first: Important safety information” on page v.

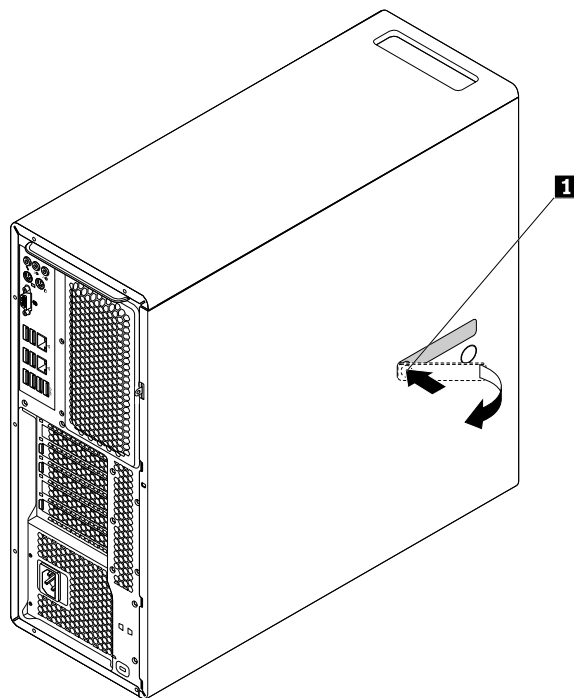
**CAUTION:**



**Before you open the computer cover, turn off the computer and wait several minutes until the computer is cool.**

To remove the computer cover, do the following:

1. Remove all media from the drives and turn off all attached devices and the computer. Then, disconnect all power cords from electrical outlets and disconnect all cables that are connected to the computer.
2. Unlock any locking device that secures the computer cover, such as a key lock, a padlock, or a Kensington-style cable lock. See Chapter 4 “Security” on page 33.
3. Press the pit **1** on the handle of the computer cover latch so that the handle is lifted. Pivot the handle as shown and pull the handle to remove the cover from the chassis.



*Figure 12. Removing the computer cover*

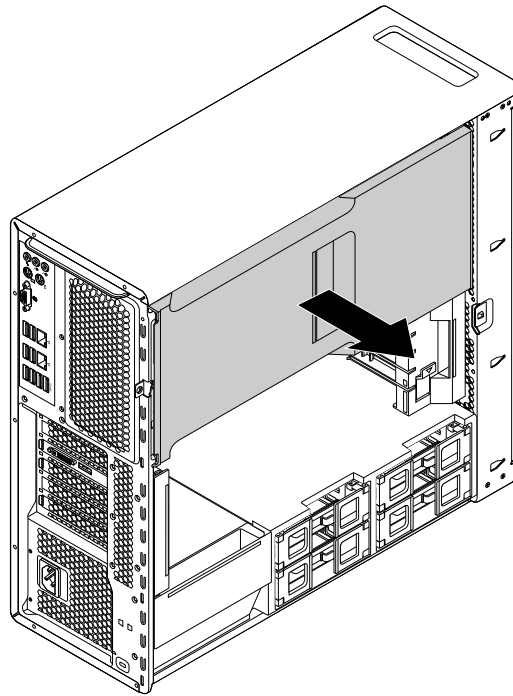
## **Removing and reinstalling the direct cooling air baffle**

**Attention:** Do not open your computer or attempt any repair before reading and understanding the “Read this first: Important safety information” on page v.

To remove the direct cooling air baffle, do the following:

1. Remove all media from the drives and turn off all attached devices and the computer. Then, disconnect all power cords from electrical outlets and disconnect all cables that are connected to the computer.
2. Remove the computer cover. See “Removing the computer cover” on page 77.

3. Grasp the handle in the direct cooling air baffle and pull the direct cooling air baffle out of the computer.



*Figure 13. Removing the direct cooling air baffle*

To reinstall the direct cooling air baffle, do the following:

1. Align the plastic boards on the top and bottom sides of the direct cooling air baffle with the small gaps **1** in the computer chassis.

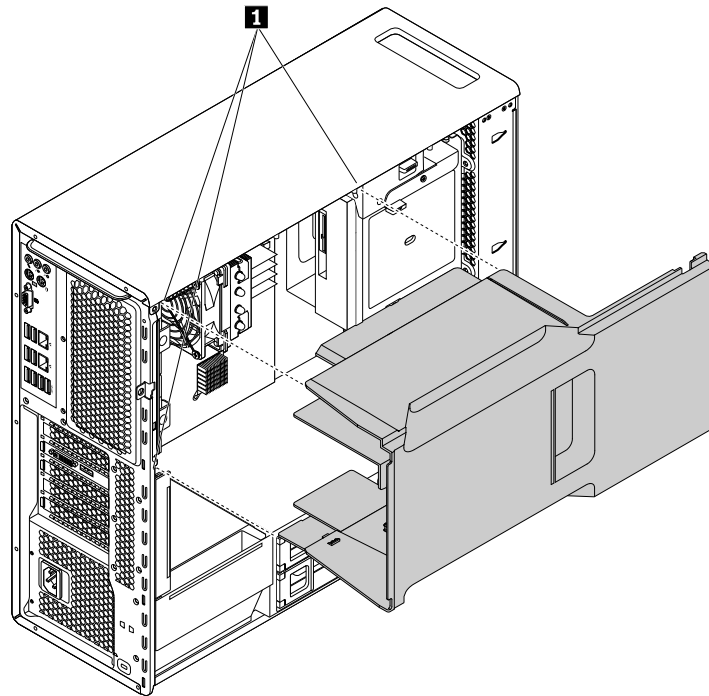


Figure 14. Installing the direct cooling air baffle

2. Push the direct cooling air baffle in until it is placed firmly in position.

**Note:** If necessary, adjust the position of the direct cooling air baffle slightly to avoid the interference from other components in the chassis.

#### What to do next:

- To work with another piece of hardware, go to the appropriate section.
- To complete the installation or replacement, go to “Completing the parts replacement” on page 130.

## Installing or replacing a device in the optical drive bay

**Attention:** Do not open your computer or attempt any repair before reading and understanding the “Read this first: Important safety information” on page v.

The optical drive bay of your computer supports the following devices:

- Optical drive
- Flex module
- Front-access storage enclosure

The following instructions on how to install or replace an optical drive also apply to the other two devices.

To install or replace an optical drive, do the following:

1. Remove all media from the drives and turn off all attached devices and the computer. Then, disconnect all power cords from electrical outlets and disconnect all cables that are connected to the computer.
2. Remove the computer cover. See “Removing the computer cover” on page 77.

3. Remove the direct cooling air baffle. See “Removing and reinstalling the direct cooling air baffle” on page 78.
4. Locate the optical drive bay that you want to use. See “Locating components” on page 6.
5. Depending on whether you are installing or replacing an optical drive, do one of the following:
  - If you are installing a new optical drive, press the clip on the bottom of the optical drive bay from the front of the computer to remove the plastic cover. If there is a metal static shield installed in the optical drive bay, remove the metal static shield.
  - If you are replacing an old optical drive, disconnect the signal cable and the power cable from the rear of the optical drive. Then, press the tabs **1** toward each other as shown, and at the same time push the rear of the optical drive to slide it out of the computer.

**Note:** If you are replacing a flex module or a front-access storage enclosure, remove any additional cables first.

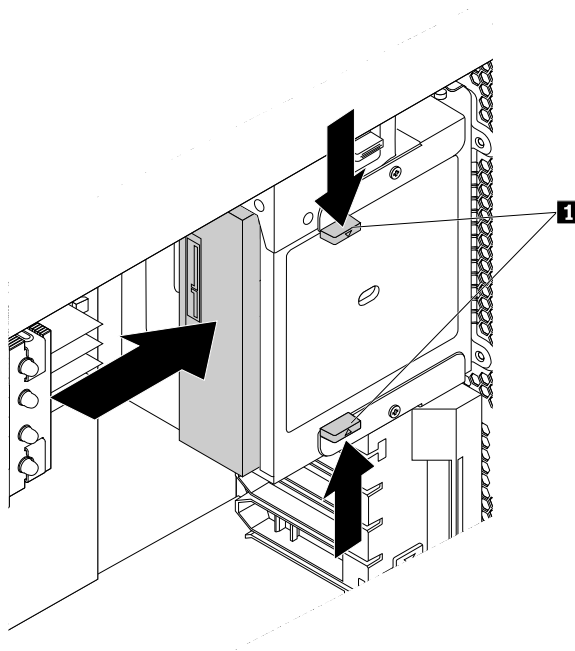


Figure 15. Removing the optical drive

6. Press the tabs **1** toward each other as shown, and at the same time slide the new optical drive halfway into the bay from the front of the computer. Then, release the tabs and continue to slide the optical drive in until it snaps into position.

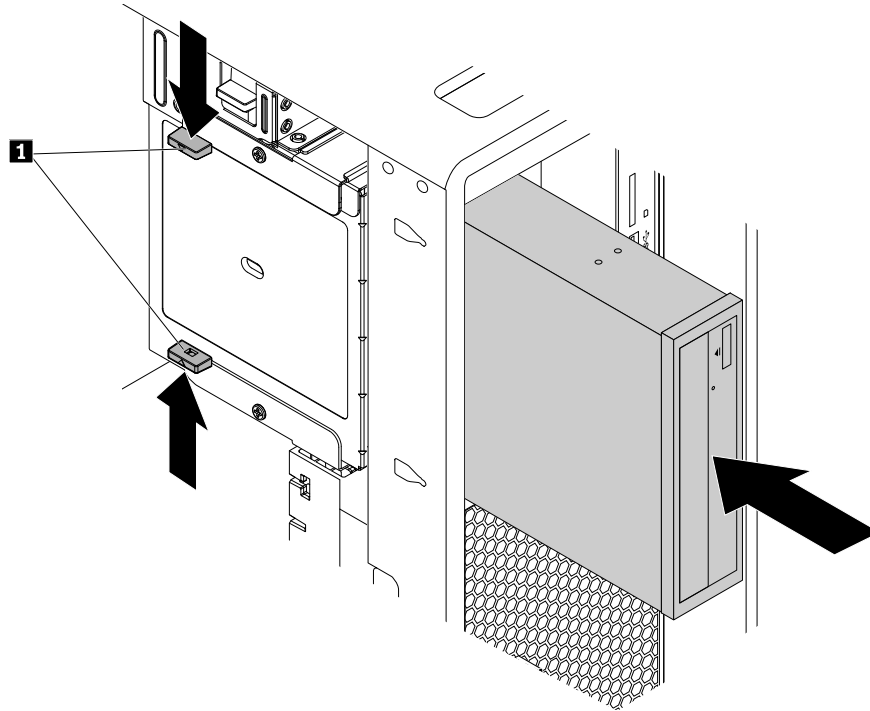


Figure 16. Installing the optical drive

7. Connect the signal cable and the power cable to the new optical drive.

**Note:** If you are replacing a flex module or front-access storage enclosure, connect additional cables between the bay and the system board or adapter cards.

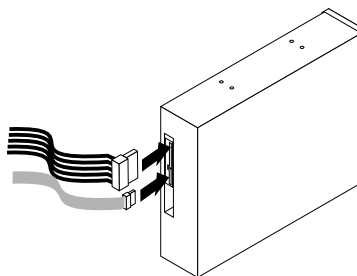


Figure 17. Connecting cables to the optical drive

8. Reinstall the direct cooling air baffle. See “Removing and reinstalling the direct cooling air baffle” on page 78.

**What to do next:**

- To work with another piece of hardware, go to the appropriate section.

- To complete the installation or replacement, go to “Completing the parts replacement” on page 130.

## Removing and reinstalling the optical drive bracket

**Attention:** Do not open your computer or attempt any repair before reading and understanding the “Read this first: Important safety information” on page v.

To remove the optical drive bracket, do the following:

1. Remove all media from the drives and turn off all attached devices and the computer. Then, disconnect all power cords from electrical outlets and disconnect all cables that are connected to the computer.
2. Remove the computer cover. See “Removing the computer cover” on page 77.
3. Remove the direct cooling air baffle. See “Removing and reinstalling the direct cooling air baffle” on page 78.
4. Remove the device that is installed in the bracket. See “Installing or replacing a device in the optical drive bay” on page 80.
5. Press the retaining clip **1** on the top of the optical drive bracket and pivot the bracket outward from the rear to remove it from the computer chassis.

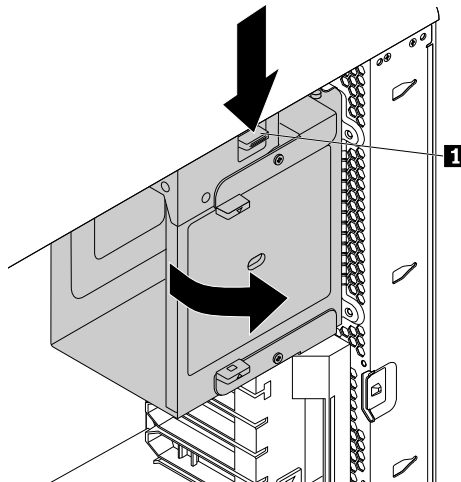


Figure 18. Removing the optical drive bracket

To reinstall the optical drive bracket, do the following:

1. Position the optical drive bay into the chassis at a relative angle of about 45° as shown. Align the two posts on the top and the bottom of the optical drive bracket with the notches in the computer chassis.

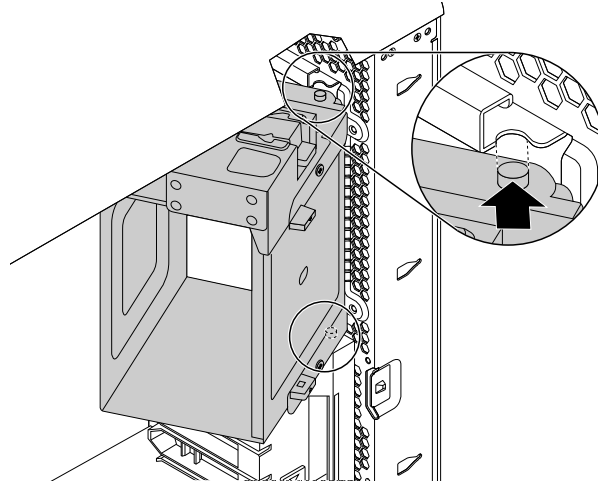


Figure 19. Positioning the optical drive bracket into the chassis

2. Pivot the optical drive bracket inward as shown until it snaps into position.

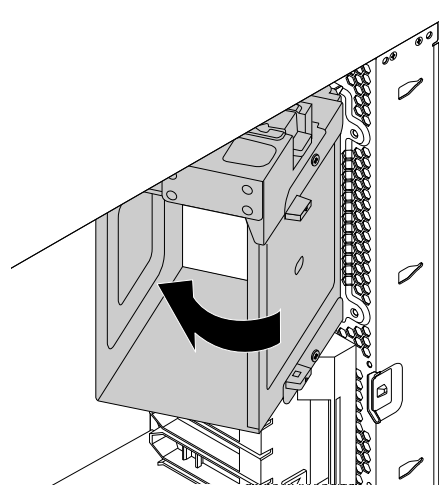


Figure 20. Installing the optical drive bracket

3. Reinstall the direct cooling air baffle. See “Removing and reinstalling the direct cooling air baffle” on page 78.

**What to do next:**

- To work with another piece of hardware, go to the appropriate section.
- To complete the installation or replacement, go to “Completing the parts replacement” on page 130.

## Replacing the cover presence switch

**Attention:** Do not open your computer or attempt any repair before reading and understanding the “Read this first: Important safety information” on page v.



To replace the cover presence switch, do the following:

1. Remove all media from the drives and turn off all attached devices and the computer. Then, disconnect all power cords from electrical outlets and disconnect all cables that are connected to the computer.
2. Remove the computer cover. See “Removing the computer cover” on page 77.
3. Remove the direct cooling air baffle. See “Removing and reinstalling the direct cooling air baffle” on page 78.
4. Remove the optical drive bracket. See “Removing and reinstalling the optical drive bracket” on page 83.
5. Locate the cover presence switch. See “Locating components” on page 6.
6. Disconnect the cover presence switch cable from the system board.
7. Slide the cover presence switch as shown to remove it from the computer chassis.

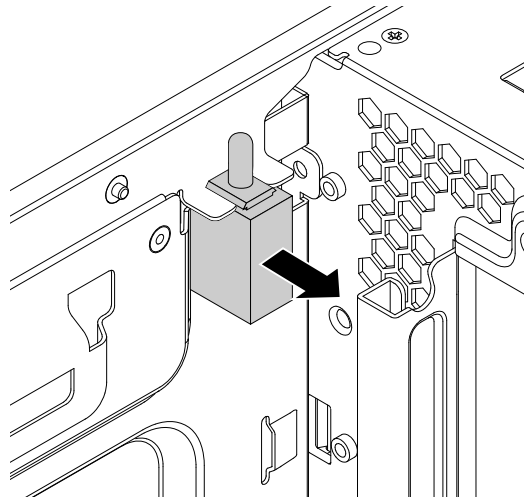


Figure 21. Removing the cover presence switch

8. Align the two notches in the new cover presence switch with the two tabs on the computer chassis, and then push the new cover presence switch in until it is seated securely between the tabs.

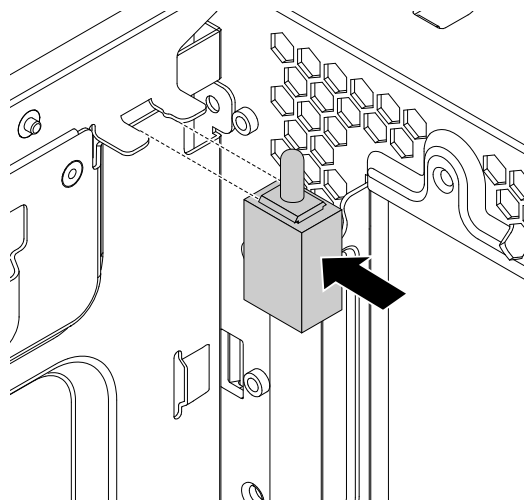


Figure 22. Installing the cover presence switch

9. Connect the cable of the new cover presence switch to the cover presence switch connector on the system board. See “Locating parts on the system board” on page 6.
10. Reinstall the optical drive bracket. See “Removing and reinstalling the optical drive bracket” on page 83.
11. Reinstall the direct cooling air baffle. See “Removing and reinstalling the direct cooling air baffle” on page 78.

**What to do next:**

- To work with another piece of hardware, go to the appropriate section.
- To complete the installation or replacement, go to “Completing the parts replacement” on page 130.

## Replacing the front fan assembly

**Attention:** Do not open your computer or attempt any repair before reading and understanding the “Read this first: Important safety information” on page v.

**Note:** The front fan assembly is only available on some models.

To replace the front fan assembly, do the following:

1. Remove all media from the drives and turn off all attached devices and the computer. Then, disconnect all power cords from electrical outlets and disconnect all cables that are connected to the computer.
2. Remove the computer cover. See “Removing the computer cover” on page 77.
3. Pull the front fan assembly by the handle to slide it out of the computer chassis.

**Note:** When you slide out the front fan assembly, avoid pulling the front fan assembly cable.

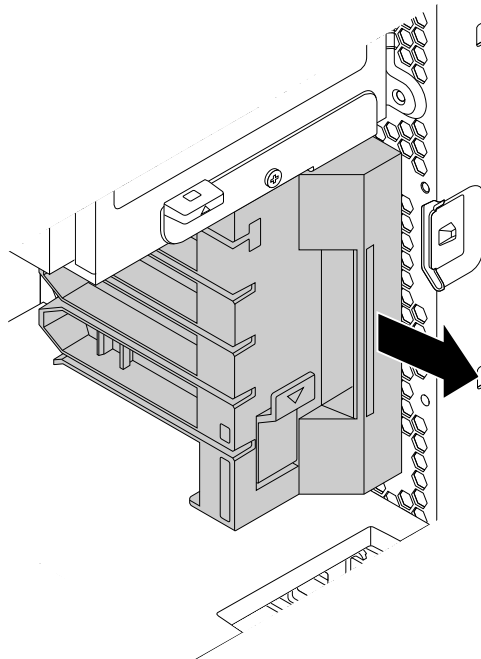


Figure 23. Removing the front fan assembly

4. Disconnect the front fan assembly cable from the front fan connector on the system board.
5. Connect the cable of the new front fan assembly to the front fan connector on the system board. See “Locating parts on the system board” on page 6.

6. Align the top and bottom edges of the new front fan assembly with the two slots in the computer chassis. Then, slide the new front fan assembly in until it cannot be pushed in further.

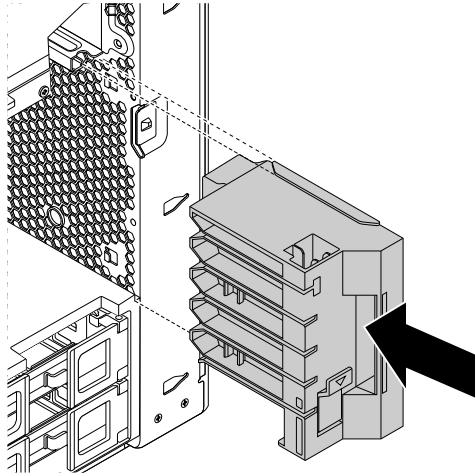


Figure 24. Installing the front fan assembly

#### What to do next:

- To work with another piece of hardware, go to the appropriate section.
- To complete the installation or replacement, go to “Completing the parts replacement” on page 130.

## Installing or replacing an internal storage drive

**Attention:** Do not open your computer or attempt any repair before reading and understanding the “Read this first: Important safety information” on page v.

Depending on your computer model, your computer might come with one or more of the following types of internal storage drives:

- 3.5-inch hard disk drive
- 3.5-inch hybrid drive
- 2.5-inch hard disk drive
- 2.5-inch solid-state drive
- M.2 solid-state drive on a flex adapter
- PCI Express solid-state drive

To install or replace an internal storage drive, refer to the following:

- “Installing or replacing a 3.5-inch storage drive in the storage drive bay” on page 88
- “Installing or replacing a 2.5-inch storage drive in the storage drive bay” on page 96
- “Installing or replacing an M.2 solid-state drive on the flex adapter” on page 112
- “Installing or replacing a PCI card” on page 114

### Installing or replacing a 3.5-inch storage drive

A 3.5-inch storage drive on your computer might be a 3.5-inch hard disk drive or a 3.5-inch hybrid drive.

To install or replace a 3.5-inch storage drive, refer to the following:

- “Installing or replacing a 3.5-inch storage drive in the storage drive bay” on page 88
- “Installing or replacing a 3.5-inch storage drive in the optical drive bay” on page 93

### Installing or replacing a 3.5-inch storage drive in the storage drive bay

Depending on your computer model, one of the following types of storage drive bracket is used in the storage drive bay:

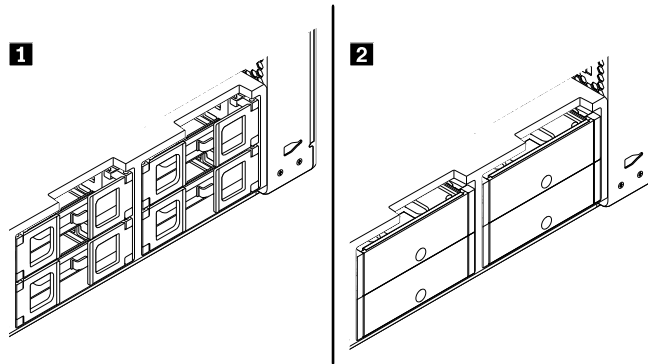


Figure 25. Two types of storage drive bracket

To install or replace a 3.5-inch storage drive in a type **1** bracket, do the following:

1. Remove all media from the drives and turn off all attached devices and the computer. Then, disconnect all power cords from electrical outlets and disconnect all cables that are connected to the computer.
2. Remove the computer cover. See “Removing the computer cover” on page 77.
3. Locate the storage drive bay. See “Locating internal drives” on page 10.
4. Depending on whether you are installing or replacing a 3.5-inch storage drive, do one of the following:
  - If you are installing a 3.5-inch storage drive, open the handles on both sides of the storage drive bracket, and pull out the empty bracket.
  - If you are replacing a 3.5-inch storage drive, open the handles on both sides of the storage drive bracket, disconnect the cables from the storage drive, and pull out the bracket with the storage drive.

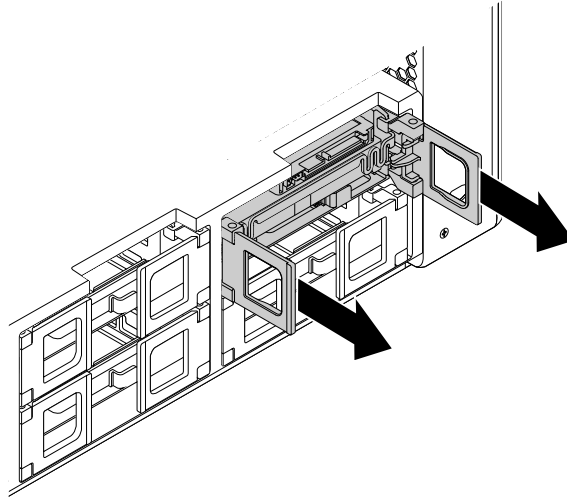


Figure 26. Removing the type **1** storage drive bracket

Then, flex the sides of the bracket to remove the storage drive from the bracket.

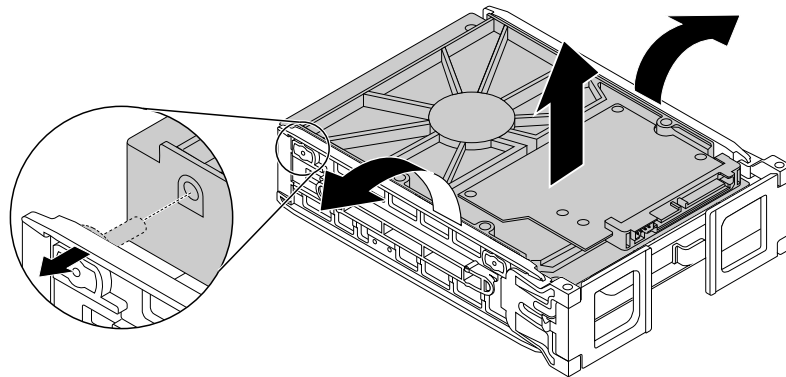


Figure 27. Removing the storage drive from the type **1** bracket

5. Flex the sides of the bracket and align pins **1** on the bracket with the corresponding holes in the new storage drive. Do not touch the circuit board **2** on the storage drive.

**Note:** Ensure that the circuit board **2** faces upward and the connectors **3** face toward the front of the bracket.

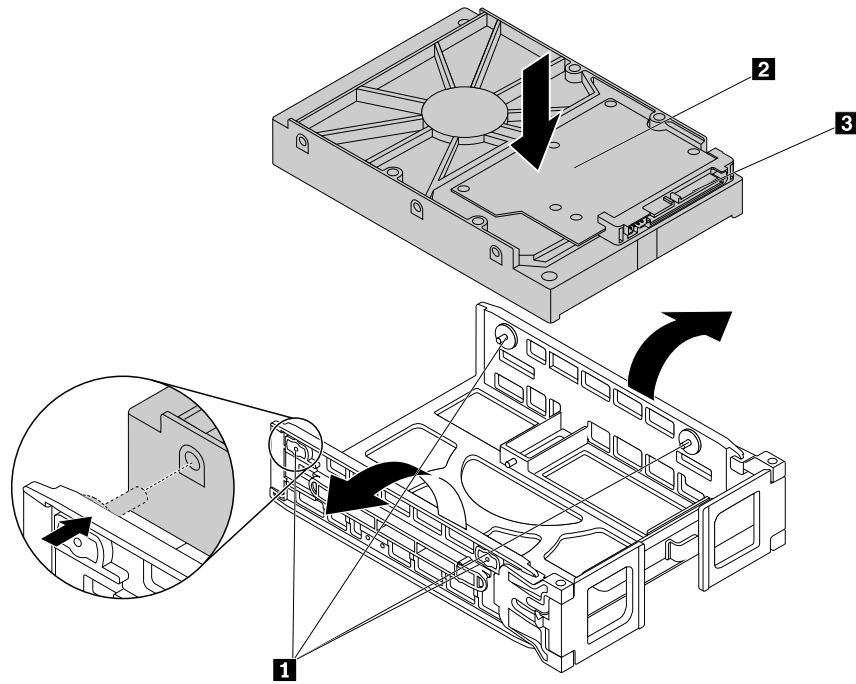


Figure 28. Installing the storage drive into the type **1** bracket

6. Slide the bracket with the new storage drive into the storage drive bay.

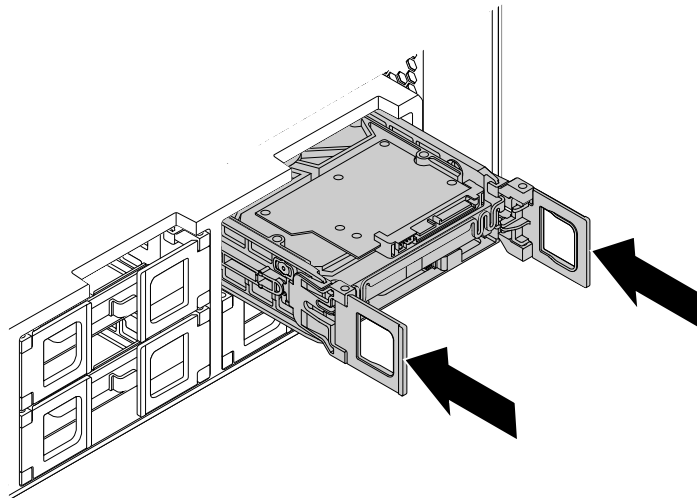


Figure 29. Installing the type **1** storage drive bracket

7. Connect the signal cable and the power cable to the new storage drive, and then close the handles on both sides of the bracket.

To install or replace a 3.5-inch storage drive in a type **2** bracket, do the following:

1. Remove all media from the drives and turn off all attached devices and the computer. Then, disconnect all power cords from electrical outlets and disconnect all cables that are connected to the computer.

2. Remove the computer cover. See “Removing the computer cover” on page 77.
3. Locate the storage drive bay. See “Locating internal drives” on page 10.
1. Press the pit on the bracket cover, and then grasp the tilted cover to pull the bracket out of the storage drive bay.

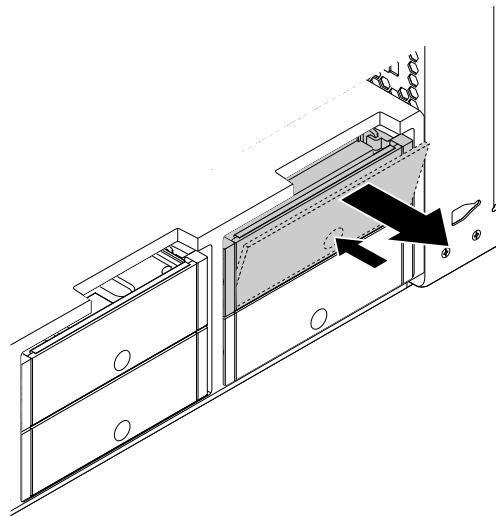


Figure 30. Removing the type **2** storage drive bracket

2. If you are replacing a storage drive, flex the sides of the bracket to remove the storage drive from the bracket.

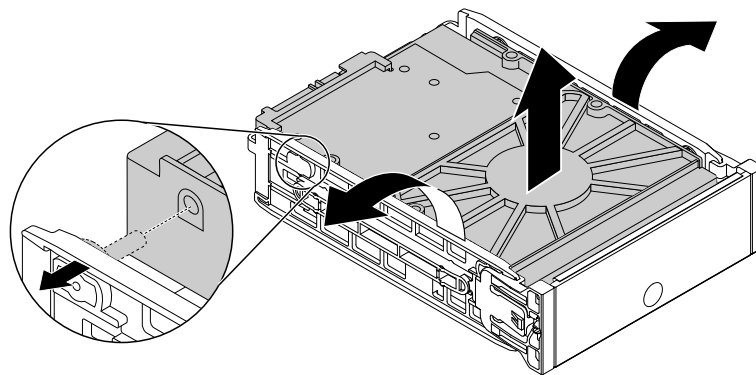


Figure 31. Removing the storage drive from the type **2** bracket

1. Flex the sides of the bracket and align pins **1** on the bracket with the corresponding holes in the new storage drive. Do not touch the circuit board **3** on the storage drive.

**Note:** Ensure that the circuit board **3** faces upward and the connectors **2** face toward the rear of the bracket.

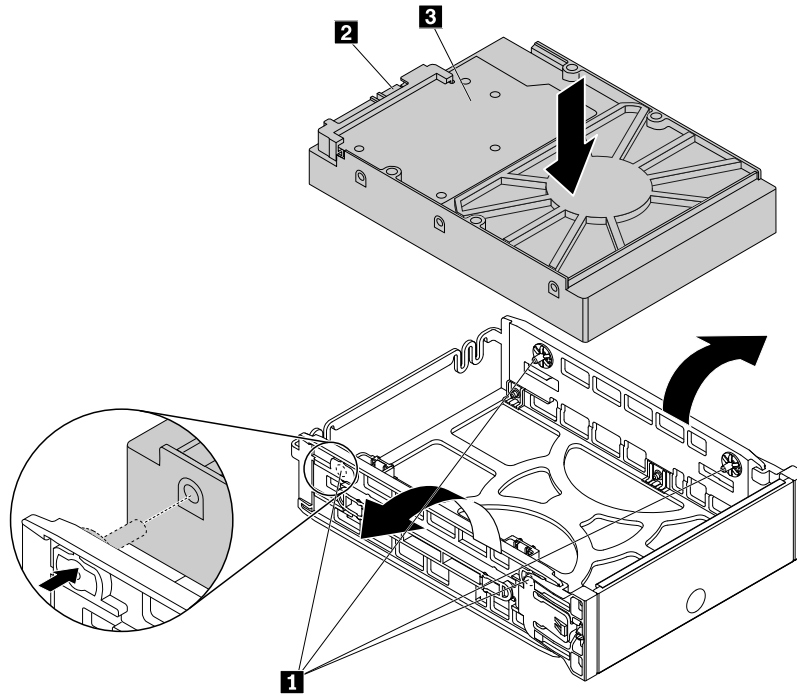


Figure 32. Installing the storage drive into the type **2** bracket

1. Slide the bracket with the new storage drive into the storage drive bay until it snaps into position.

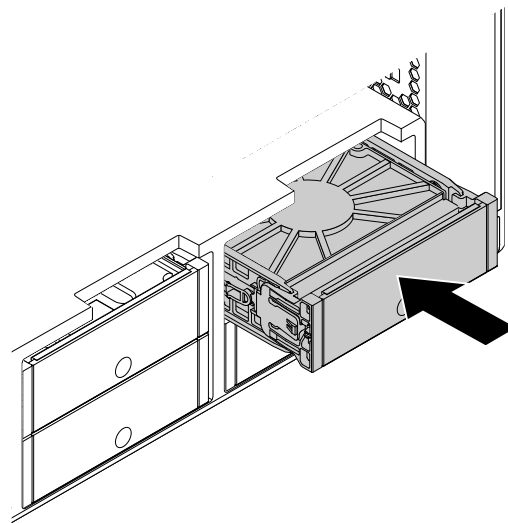


Figure 33. Installing the type **2** storage drive bracket

**What to do next:**

- To work with another piece of hardware, go to the appropriate section.
- To complete the installation or replacement, go to “Completing the parts replacement” on page 130.



### Installing or replacing a 3.5-inch storage drive in the optical drive bay

To install or replace a 3.5-inch storage drive in the optical drive bay, do the following:

1. Remove all media from the drives and turn off all attached devices and the computer. Then, disconnect all power cords from electrical outlets and disconnect all cables that are connected to the computer.
2. Remove the computer cover. See “Removing the computer cover” on page 77.
3. Locate the optical drive bay in which you want to install or replace the storage drive. See “Locating internal drives” on page 10.
4. If your computer has a front-access storage enclosure installed, remove the front-access storage enclosure from the optical drive bay. See “Installing or replacing a device in the optical drive bay” on page 80.
5. Press the tab **1** on the rear of the front-access storage enclosure so that the front cover is opened.

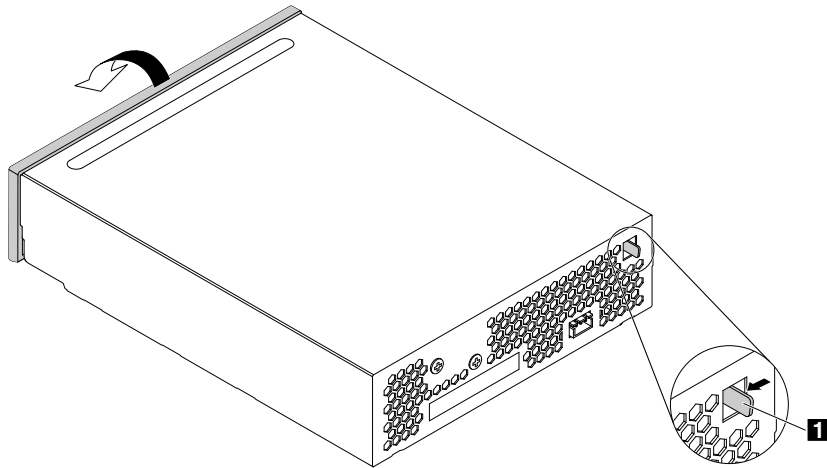


Figure 34. Opening the front cover of the front-access storage enclosure

6. Open the handles on both sides of the storage drive bracket and pull the bracket out of the front-access storage enclosure.

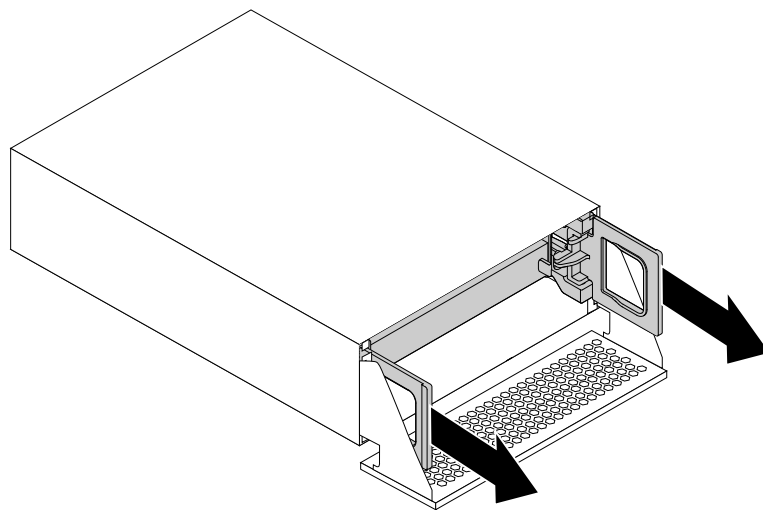


Figure 35. Removing the storage drive bracket

7. If you are replacing a storage drive, flex the sides of the bracket to remove the storage drive from the bracket.

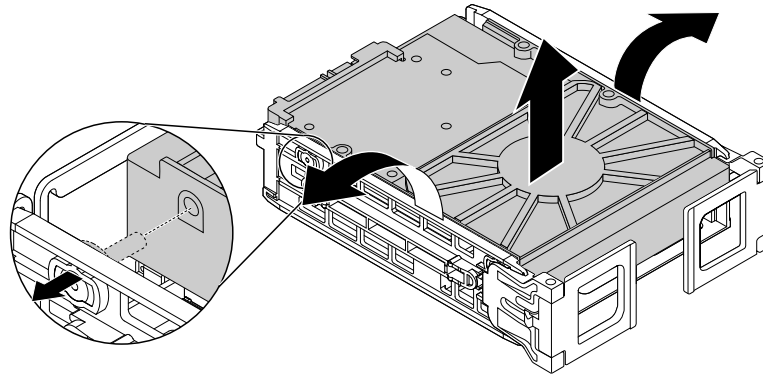


Figure 36. Removing the storage drive from the bracket

8. Flex the sides of the bracket and align pins **1** on the bracket with the corresponding holes in the new storage drive. Do not touch the circuit board **3** on the storage drive.

**Note:** Ensure that the circuit board **3** faces upward and the connectors **2** face toward the rear of the bracket.

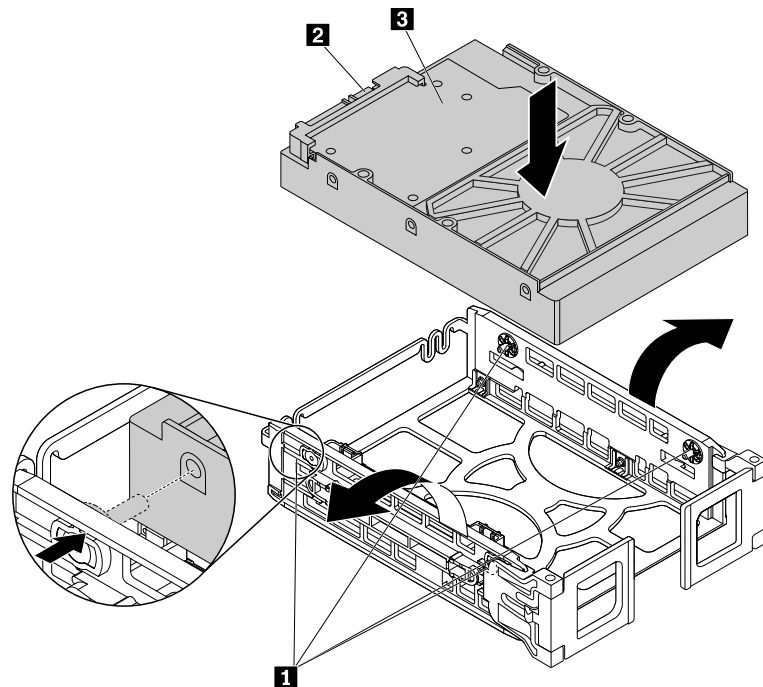
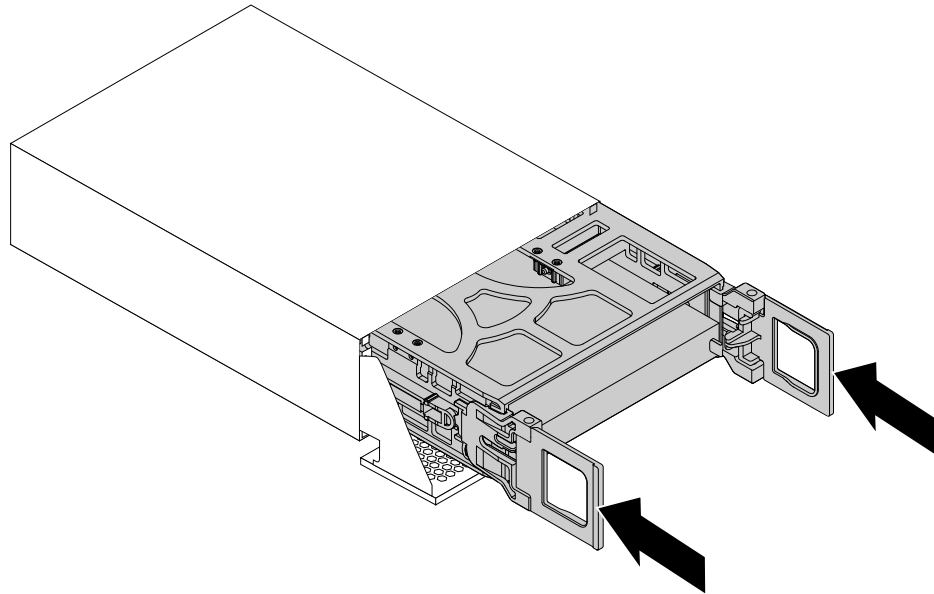


Figure 37. Installing the storage drive into the bracket

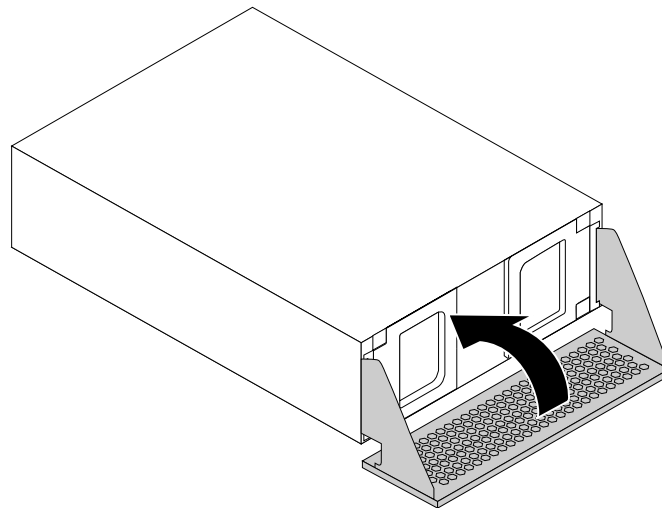
9. Install the bracket with the new storage drive into the front-access storage enclosure, and then close the handles on both sides of the bracket.

**Note:** Ensure that the storage drive connectors are aligned with the corresponding connectors in the front-access storage enclosure.



*Figure 38. Installing the storage drive bracket*

10. Pivot the front cover of the front-access storage enclosure until it snaps into position.



*Figure 39. Closing the front cover of the front-access storage enclosure*

11. Install the front-access storage enclosure into the optical drive bay. See “Installing or replacing a device in the optical drive bay” on page 80.
12. Connect the signal cable, the power cable, and the front-access storage enclosure control cable to the front-access storage enclosure.

### What to do next:

- To work with another piece of hardware, go to the appropriate section.
- To complete the installation or replacement, go to “Completing the parts replacement” on page 130.

## Installing or replacing a 2.5-inch storage drive

A 2.5-inch storage drive on your computer might be a 2.5-inch hard disk drive or a 2.5-inch solid-state drive.

To install or replace a .25-inch storage drive, refer to the following:

- “Installing or replacing a 2.5-inch storage drive in the storage drive bay” on page 96
- “Installing or replacing a 2.5-inch storage drive with a converter in the storage drive bay” on page 101
- “Installing or replacing a 2.5-inch storage drive in the optical drive bay” on page 108

### Installing or replacing a 2.5-inch storage drive in the storage drive bay

Depending on your computer model, one of the following types of storage drive bracket is used in the storage drive bay:

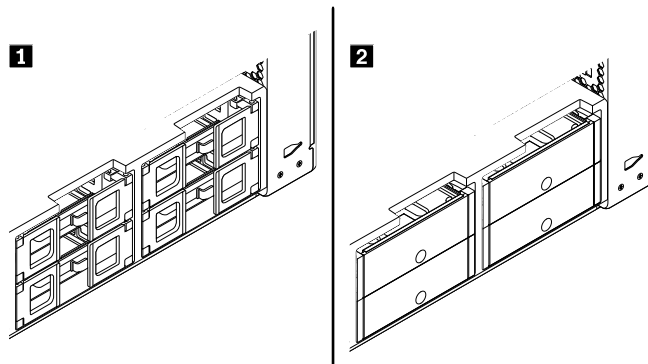


Figure 40. Two types of storage drive bracket

**Note:** This section illustrates only installing or replacing a 2.5-inch solid-state drive.

To install or replace a 2.5-inch storage drive in a type **1** bracket, do the following:

1. Remove all media from the drives and turn off all attached devices and the computer. Then, disconnect all power cords from electrical outlets and disconnect all cables that are connected to the computer.
2. Remove the computer cover. See “Removing the computer cover” on page 77.
3. Locate the storage drive bay in which you want to install or replace a storage drive. See “Locating internal drives” on page 10.
4. Depending on whether you are installing or replacing a 2.5-inch storage drive, do one of the following:
  - If you are installing a 2.5-inch storage drive, open the handles on both sides of the storage drive bracket, and pull out the empty bracket.

- If you are replacing a 2.5-inch storage drive, open the handles on both sides of the storage drive bracket, disconnect the cables from the storage drive, and pull out the bracket with the storage drive.

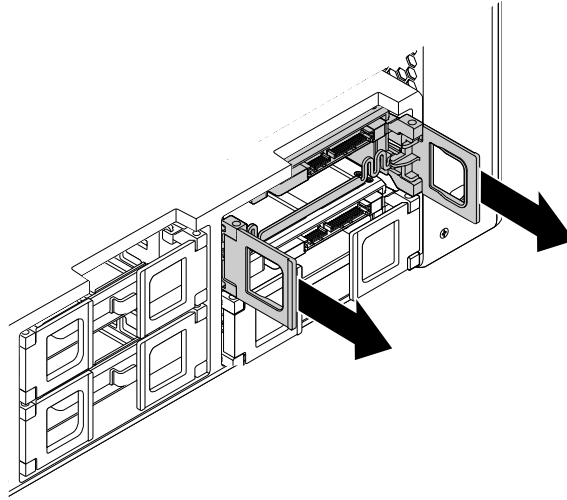


Figure 41. Removing the type **1** storage drive bracket

Then, flex the sides of the bracket to remove the 2.5-inch storage drive from the bracket.

**Note:** If a 3.5-inch storage drive also is installed in the bracket, remove the 3.5-inch storage drive first.

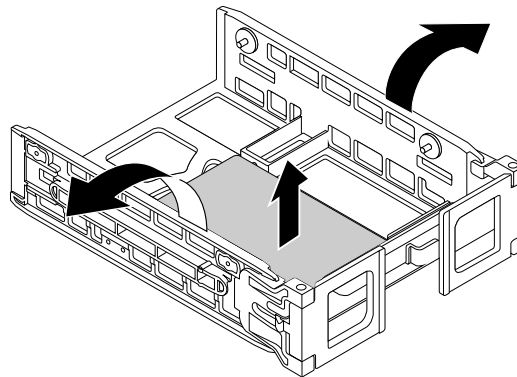


Figure 42. Removing the storage drive from the type **1** bracket

5. Flex the sides of the bracket and align pins **1** on the bracket with the corresponding holes in the new storage drive.

**Note:** If you are installing a 2.5-inch hard disk drive, ensure that the circuit board faces downward and the connectors **2** face toward the front of the bracket.

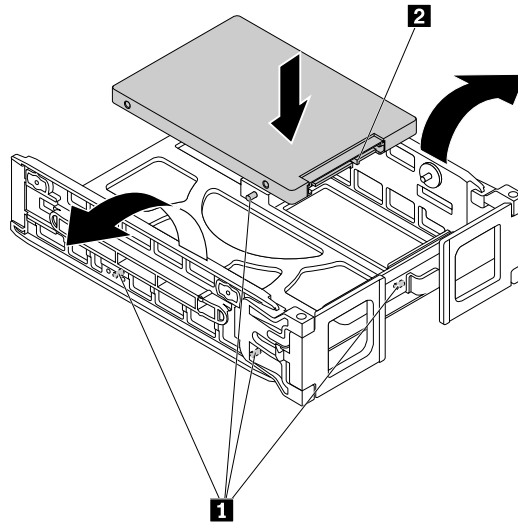


Figure 43. Installing the storage drive into the type **1** bracket

6. Slide the bracket with the new storage drive into the storage drive bay.

**Note:** Ensure that the storage drive is on the upper side. You might need to flip over the storage drive bracket.

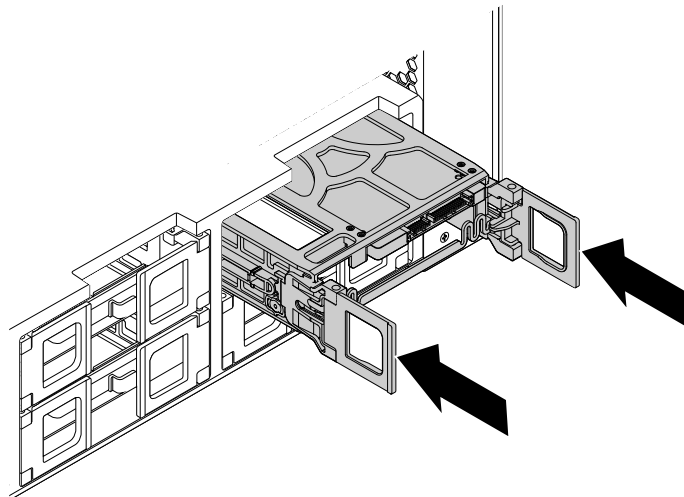


Figure 44. Installing the type **1** storage drive bracket

7. Connect the signal cable and the power cable to the new storage drive, and then close the handles on both sides of the bracket.

To install or replace a 2.5-inch storage drive in a type **2** bracket, do the following:

1. Turn off the computer and disconnect all power cords from electrical outlets.
2. Remove the computer cover. See “Removing the computer cover” on page 77.
3. Locate the storage drive bay. See “Locating internal drives” on page 10.
4. Press the pit on the bracket cover, and then grasp the tilted cover to pull the bracket out of the storage drive bay.

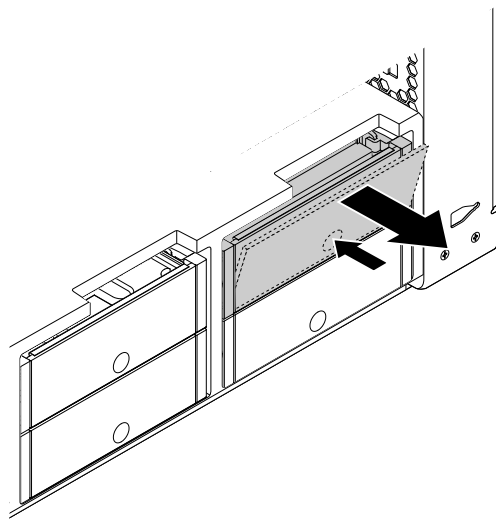


Figure 45. Removing the type **2** storage drive bracket

5. If you are replacing a storage drive, flex the sides of the bracket to remove the storage drive from the bracket.

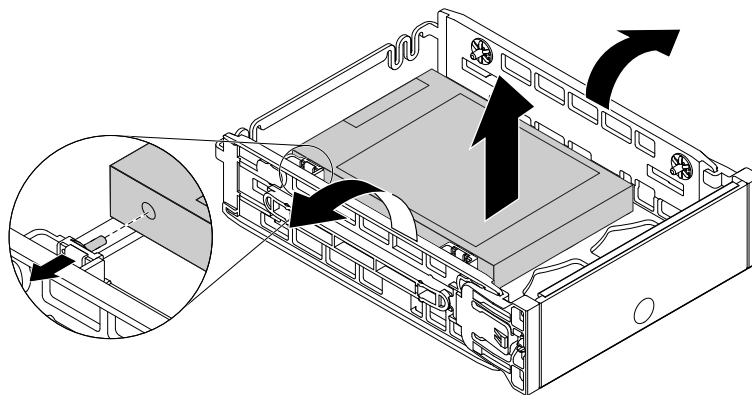


Figure 46. Removing the storage drive from the type **2** bracket

- Flex the sides of the bracket and align pins **1** on the bracket with the corresponding holes in the new storage drive.

**Note:** If you are installing a 2.5-inch hard disk drive, ensure that the circuit board faces downward and the connectors **2** face toward the rear of the bracket.

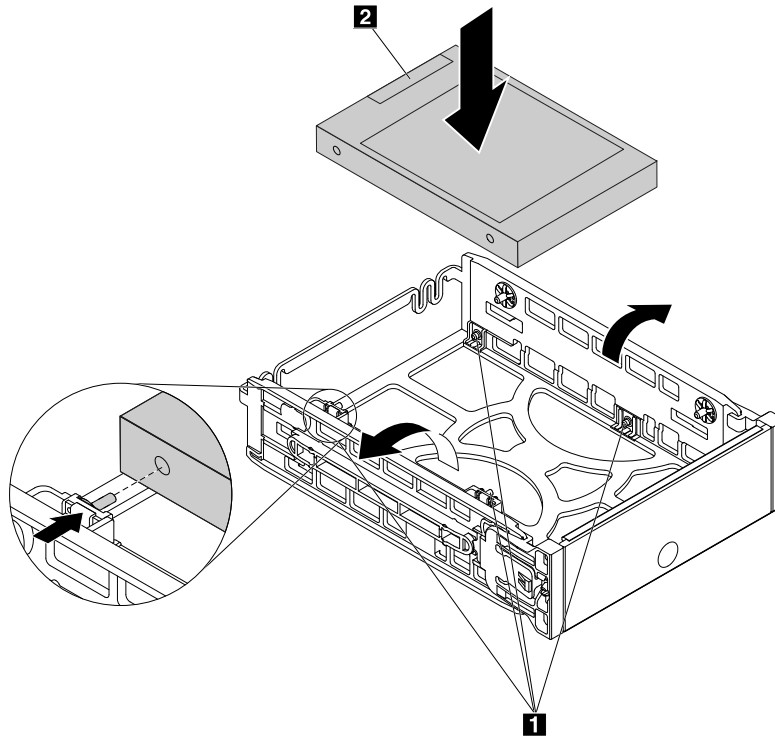


Figure 47. Installing the storage drive into the type **2** bracket

- Slide the bracket with the new storage drive into the storage drive bay until it snaps into position.

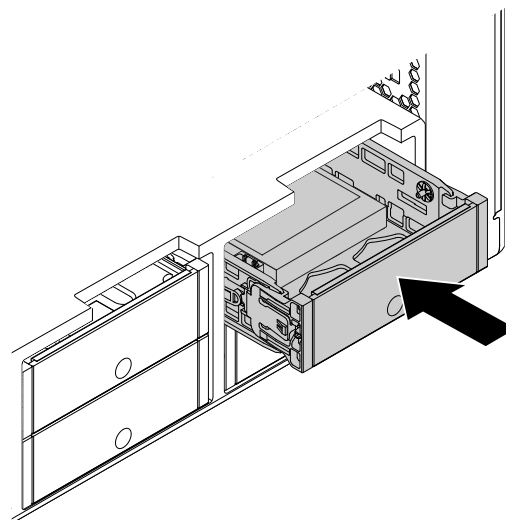


Figure 48. Installing the type **2** storage drive bracket



**What to do next:**

- To work with another piece of hardware, go to the appropriate section.
- To complete the installation or replacement, go to “Completing the parts replacement” on page 130.

**Installing or replacing a 2.5-inch storage drive with a converter in the storage drive bay**

Depending on your computer model, one of the following types of storage drive bracket is used in the storage drive bay:

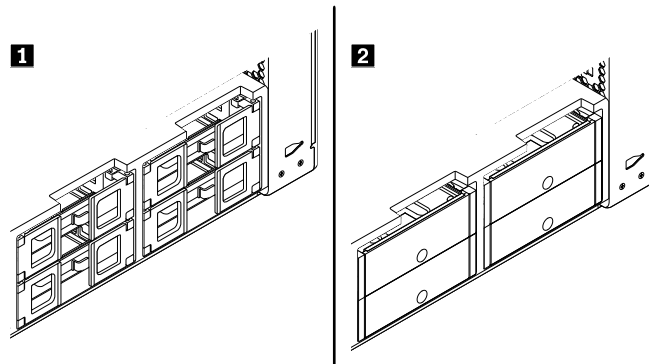


Figure 49. Two types of storage drive bracket

**Note:** This section illustrates only installing or replacing a 2.5-inch solid-state drive with a converter.

To install or replace a 2.5-inch storage drive with a converter in a type **1** bracket, do the following:

1. Remove all media from the drives and turn off all attached devices and the computer. Then, disconnect all power cords from electrical outlets and disconnect all cables that are connected to the computer.
2. Remove the computer cover. See “Removing the computer cover” on page 77.
3. Locate the storage drive bay in which you want to install or replace a storage drive. See “Locating internal drives” on page 10.
4. Depending on whether you are installing or replacing a 2.5-inch storage drive with a converter, do one of the following:
  - If you are installing a 2.5-inch storage drive with a converter, open the handles on both sides of the storage drive bracket, and pull out the empty bracket.
  - If you are replacing a 2.5-inch storage drive with a converter, open the handles on both sides of the storage drive bracket, disconnect the cables from the converter, and pull out the bracket.

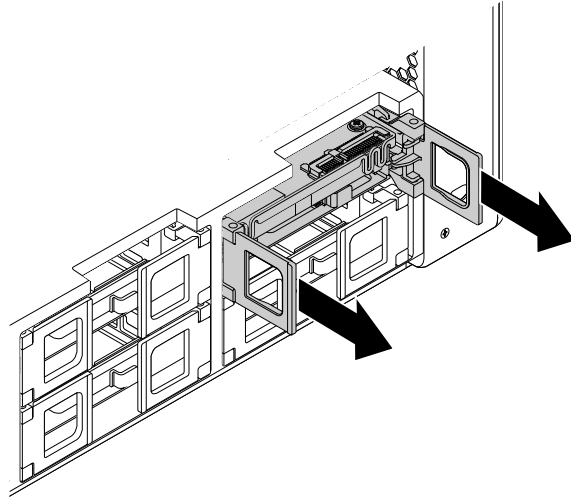


Figure 50. Removing the type **1** storage drive bracket

Then, flex the sides of the bracket to remove the converter from the bracket.

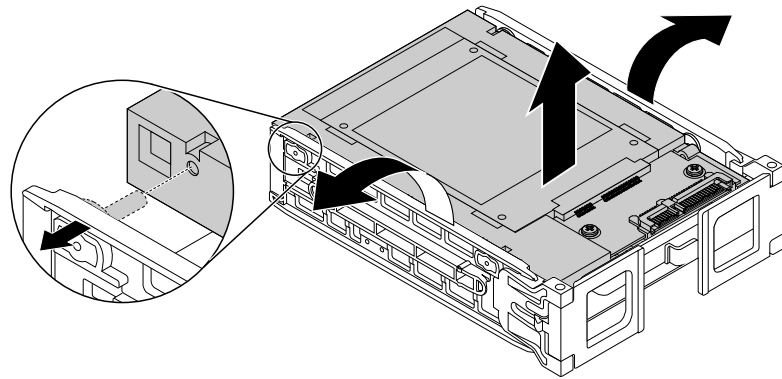


Figure 51. Removing the converter from the type **1** bracket

5. Lift up the tab **1** of the metal bracket and push the tab as shown to slide the bracket and remove it from the plastic frame.

**Note:** If you are replacing a storage drive, push the tab harder to disconnect the storage drive from the plastic frame.

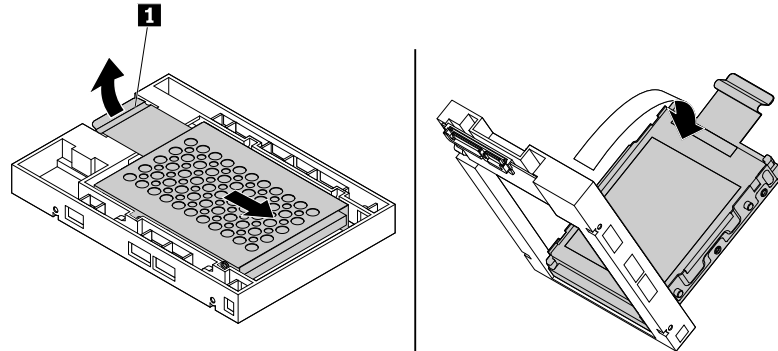


Figure 52. Removing the metal bracket from the plastic frame of the converter

6. If you are replacing a storage drive with a converter, carefully flex the sides of the metal bracket to remove the storage drive from the bracket.

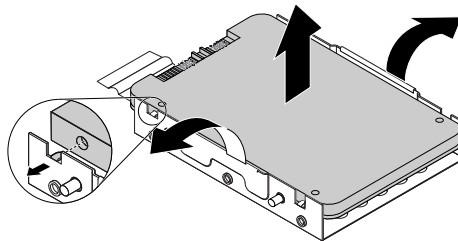


Figure 53. Removing the storage drive from the metal bracket of the converter

- Carefully flex the sides of the metal bracket and align the four tabs **1** on the metal bracket with the corresponding holes in the new storage drive.

**Note:** Ensure that the connectors of the storage drive face toward the tab of the metal bracket.

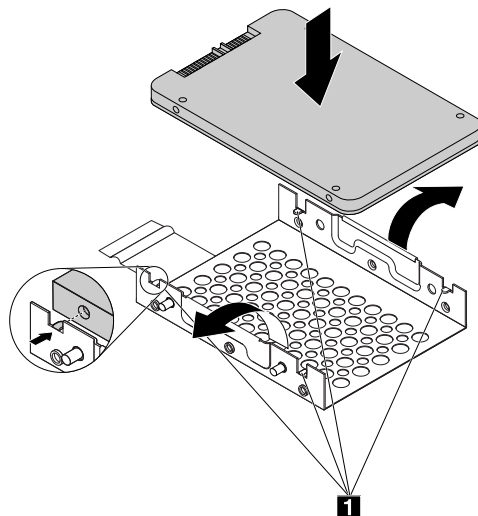


Figure 54. Installing the storage drive into the metal bracket of the converter

- Insert the four posts **1** on the metal bracket into the corresponding slots in the plastic frame as shown.

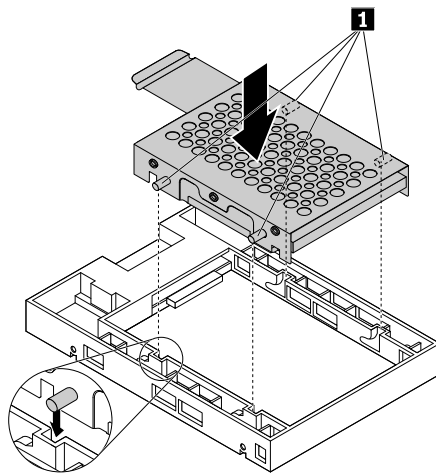


Figure 55. Inserting the metal bracket into the plastic frame of the converter

9. Push the metal bracket down until the tab **1** is slightly curved, and then push the bracket with the storage drive forward as shown until the tab **1** snaps into position.

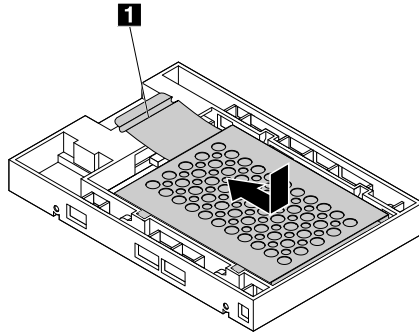


Figure 56. Installing the metal bracket into the plastic frame of the converter

10. Flex the sides of the storage drive bracket and align the four pins **1** on the bracket with the corresponding holes in the converter.

**Note:** Ensure that the circuit board faces upward and the connectors **2** face toward the front of the bracket.

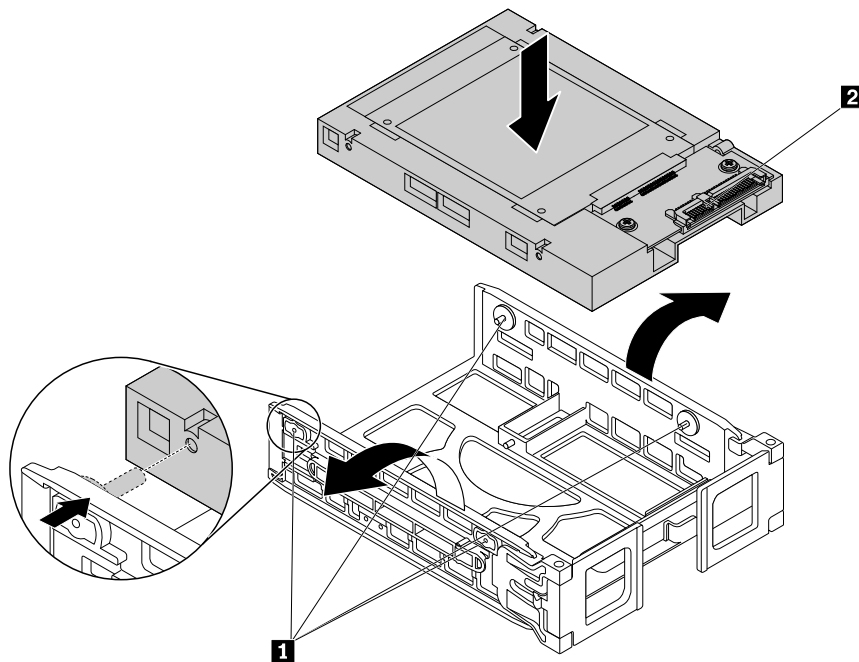


Figure 57. Installing the converter into the type **1** bracket

11. Slide the storage drive bracket with the converter into the storage drive bay.

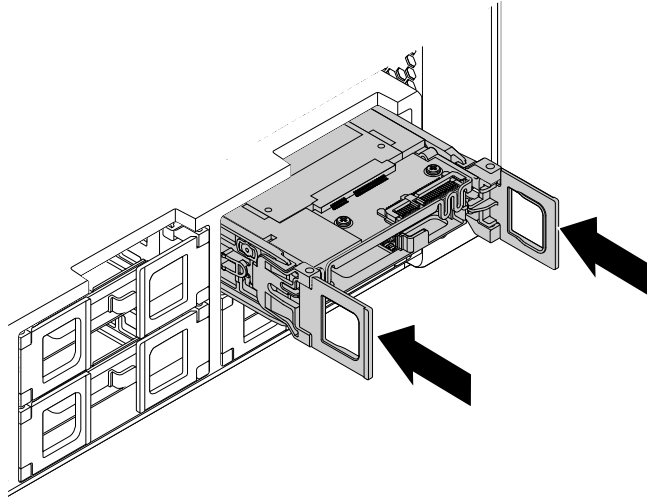


Figure 58. Installing the type **1** storage drive bracket

12. Connect the signal cable and the power cable to the converter, and then close the handles on both sides of the storage drive bracket.

To install or replace a 2.5-inch storage drive with a converter in a type **2** bracket, do the following:

1. Turn off the computer and disconnect all power cords from electrical outlets.
2. Remove the computer cover. See “Removing the computer cover” on page 77.
3. Locate the storage drive bay in which you want to install or replace a storage drive. See “Locating internal drives” on page 10.
4. Press the pit on the bracket cover, and then grasp the tilted cover to pull the bracket out of the storage drive bay.

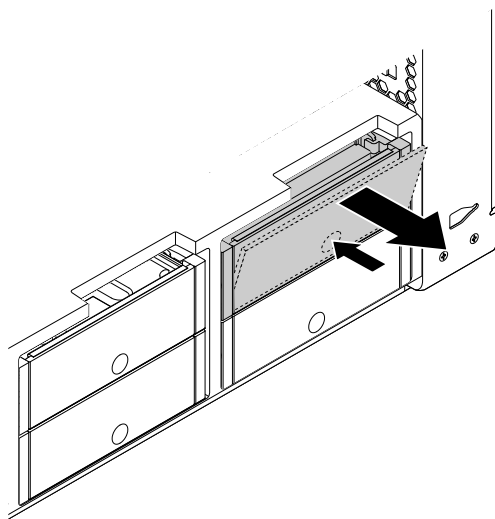


Figure 59. Removing the type **2** storage drive bracket

5. If you are replacing a storage drive with a converter, flex the sides of the bracket to remove the converter from the bracket.

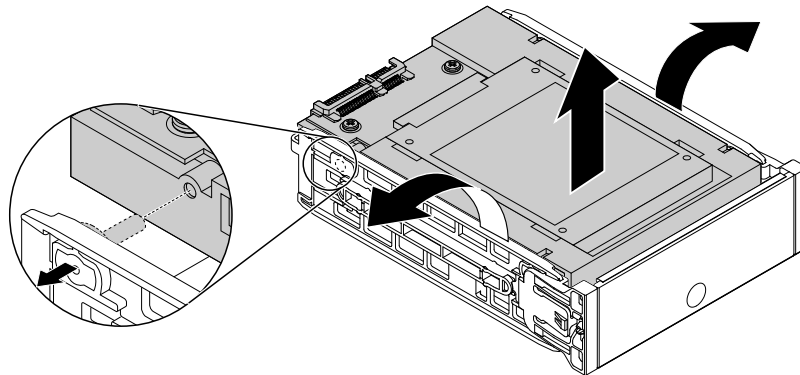


Figure 60. Removing the converter from the type **2** bracket

Remove the storage drive from the converter. See Figure 52 “Removing the metal bracket from the plastic frame of the converter” on page 103.

6. Install the new storage drive into the converter. See Figure 54 “Installing the storage drive into the metal bracket of the converter” on page 104.
7. Flex the sides of the bracket and align pins **1** on the bracket with the corresponding holes in the converter.

**Note:** Ensure that the circuit board face upward and the connectors **2** face toward the rear of the bracket.

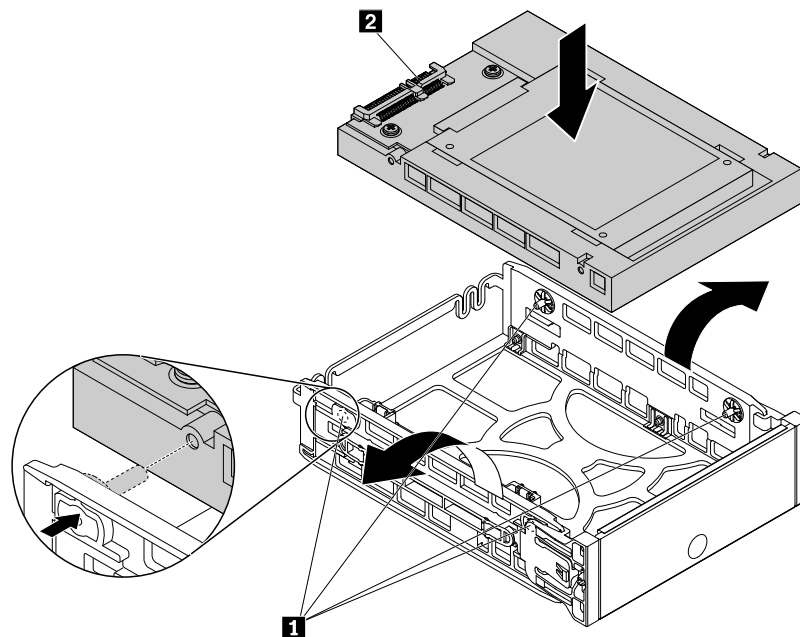


Figure 61. Installing the converter into the type **2** bracket

8. Slide the storage drive bracket with the converter into the storage drive bay until it snaps into position.

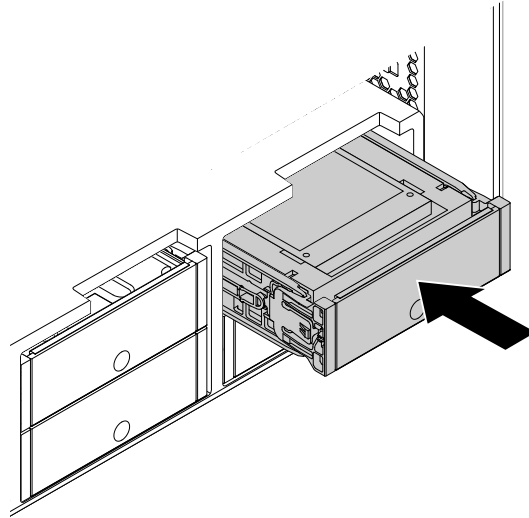


Figure 62. Installing the type **2** storage drive bracket

**What to do next:**

- To work with another piece of hardware, go to the appropriate section.
- To complete the installation or replacement, go to “Completing the parts replacement” on page 130.

**Installing or replacing a 2.5-inch storage drive in the optical drive bay**

**Note:** This section illustrates only installing or replacing a 2.5-inch solid-state drive.

To install or replace a 2.5-inch storage drive in the optical drive bay, do the following:

1. Remove all media from the drives and turn off all attached devices and the computer. Then, disconnect all power cords from electrical outlets and disconnect all cables that are connected to the computer.
2. Remove the computer cover. See “Removing the computer cover” on page 77.
3. Locate the optical drive bay in which you want to install or replace the storage drive. See “Locating internal drives” on page 10.
4. If your computer has a front-access storage enclosure installed, remove the front-access storage enclosure from the optical drive bay. See “Installing or replacing a device in the optical drive bay” on page 80.



5. Press the tab **1** on the rear of the front-access storage enclosure so that the front cover is opened.

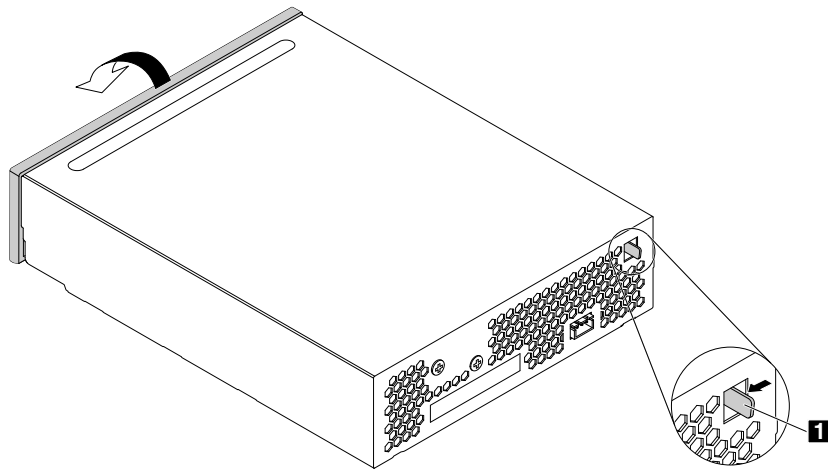


Figure 63. Opening the front cover of the front-access storage enclosure

6. Open the handles on both sides of the storage drive bracket and pull the bracket out of the front-access storage enclosure.

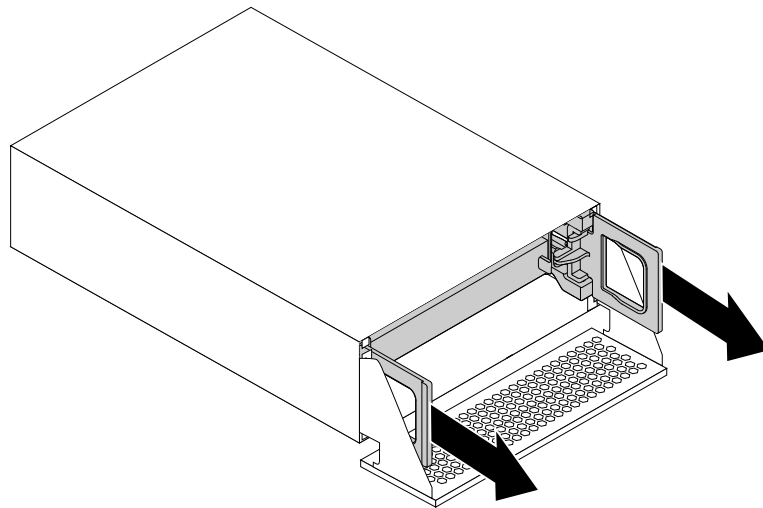


Figure 64. Removing the storage drive bracket

7. If you are replacing a storage drive, flex the sides of the bracket to remove the storage drive from the bracket.

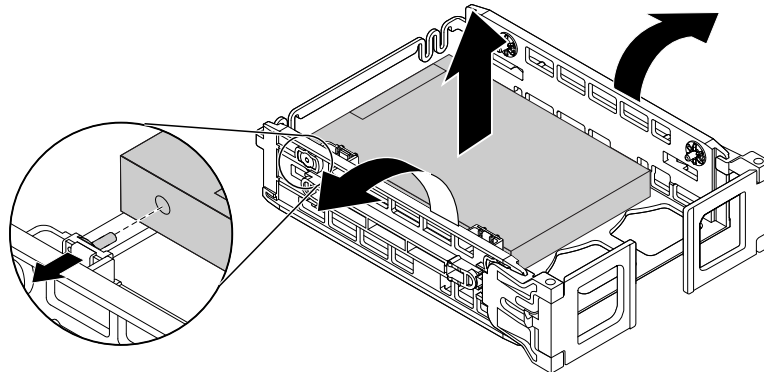


Figure 65. Removing the storage drive from the bracket

8. Flex the sides of the bracket and align pins **1** on the bracket with the corresponding holes in the new storage drive.

**Note:** Ensure that the connectors **2** face toward the rear of the bracket. If you are installing a 2.5-inch hard disk drive, ensure that the circuit board faces downward.

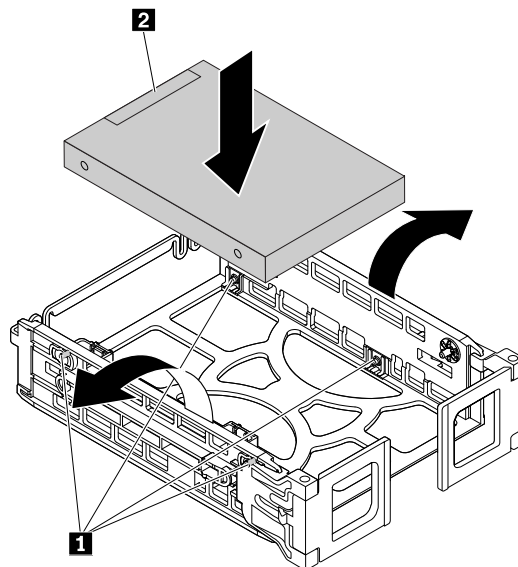


Figure 66. Installing the storage drive into the bracket

9. Install the bracket with the new storage drive into the front-access storage enclosure, and then close the handles on both sides of the bracket.

**Note:** Ensure that the storage drive connectors are aligned with the corresponding connectors in the front-access storage enclosure.

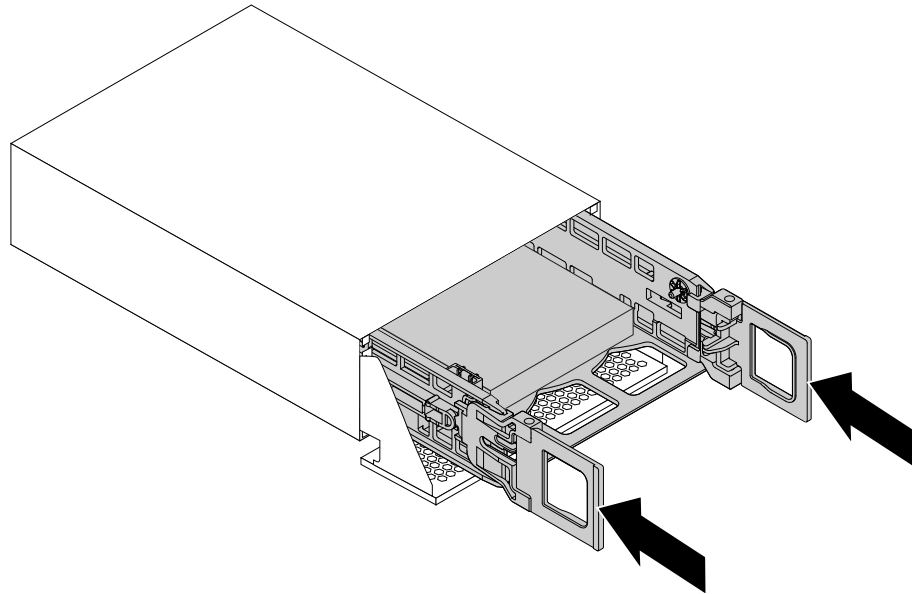


Figure 67. Installing the storage drive bracket

10. Pivot the front cover of the front-access storage enclosure until it snaps into position.

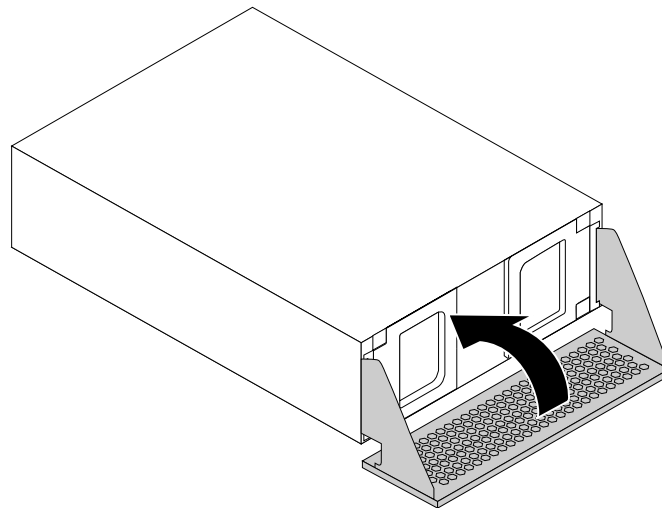


Figure 68. Closing the front cover of the front-access storage enclosure

11. Install the front-access storage enclosure into the optical drive bay. See “Installing or replacing a device in the optical drive bay” on page 80.
12. Connect the signal cable, the power cable, and the front cover control cable to the front-access storage enclosure.

### What to do next:

- To work with another piece of hardware, go to the appropriate section.
- To complete the installation or replacement, go to “Completing the parts replacement” on page 130.

### Installing or replacing an M.2 solid-state drive on the flex adapter

To install or replace an M.2 solid-state drive on the flex adapter, do the following:

1. Remove all media from the drives and turn off all attached devices and the computer. Then, disconnect all power cords from electrical outlets and disconnect all cables that are connected to the computer.
2. Remove the computer cover. See “Removing the computer cover” on page 77.
3. Lay the computer on its side for easier access to the flex adapter.
4. Locate and remove the flex adapter with M.2 slots from the system board. See “Installing or replacing a flex adapter” on page 126.
5. Depending on whether you are installing or replacing an M.2 solid-state drive, do one of the following:
  - If you are replacing an M.2 solid-state drive, remove the screw that secures the M.2 solid-state drive. Then, gently pull the solid-state drive out of the M.2 slot on the flex adapter.

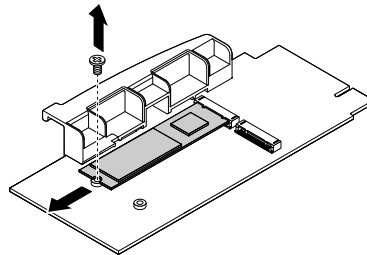


Figure 69. Removing the M.2 solid-state drive

- If you are installing an M.2 solid-state drive, remove the screw corresponding to the M.2 slot where you want to install the new M.2 solid-state drive.
6. Install the new M.2 solid-state drive into the M.2 slot until the notch **1** is aligned with the corresponding screw hole in the flex adapter. Then, install the screw to secure the new solid-state drive.

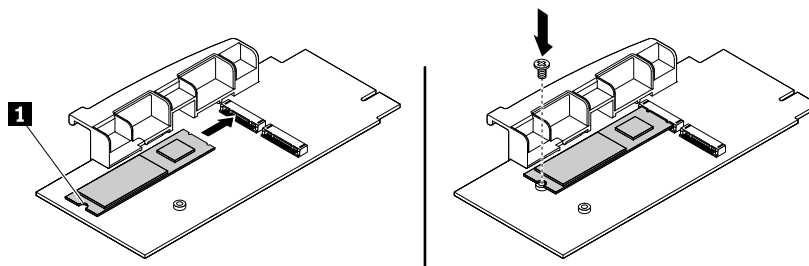


Figure 70. Installing the M.2 solid-state drive

7. Install the flex adapter with the new M.2 solid-state drive into the flex adapter slot on the system board. See “Installing or replacing a flex adapter” on page 126.

### What to do next:

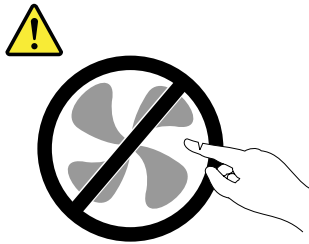
- To work with another piece of hardware, go to the appropriate section.
- To complete the installation or replacement, go to “Completing the parts replacement” on page 130.

## Replacing the power supply assembly

**Attention:** Do not open your computer or attempt any repair before reading and understanding the “Read this first: Important safety information” on page v.

Although there are no moving parts in your computer after the power cord has been disconnected, the following warnings are required for your safety and proper Underwriters Laboratories (UL) certification.

### CAUTION:



**Hazardous moving parts. Keep fingers and other body parts away.**

### CAUTION:

**Never remove the cover on a power supply or any part that has the following label attached.**



**Hazardous voltage, current, and energy levels are present inside any component that has this label attached. There are no serviceable parts inside these components. If you suspect a problem with one of these parts, contact a service technician.**

To replace the power supply assembly, do the following:

1. Remove all media from the drives and turn off all attached devices and the computer. Then, disconnect all power cords from electrical outlets and disconnect all cables that are connected to the computer.
2. Remove the computer cover. See “Removing the computer cover” on page 77.

3. Pull the handle on the power supply assembly and pivot it downward as shown. Then, pull the entire power supply assembly out of the chassis.

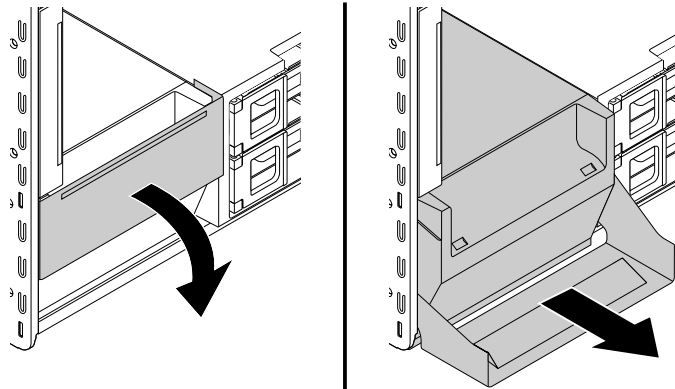


Figure 71. Removing the power supply assembly

4. Ensure that the new power supply assembly is the correct replacement.
5. Insert the new power supply assembly with the handle open into the chassis. Then, pivot the handle as shown to fully install the new power supply assembly into position.

**Note:** You might need to push hard to close the handle if you feel resistance when you pivot the handle to the closed position.

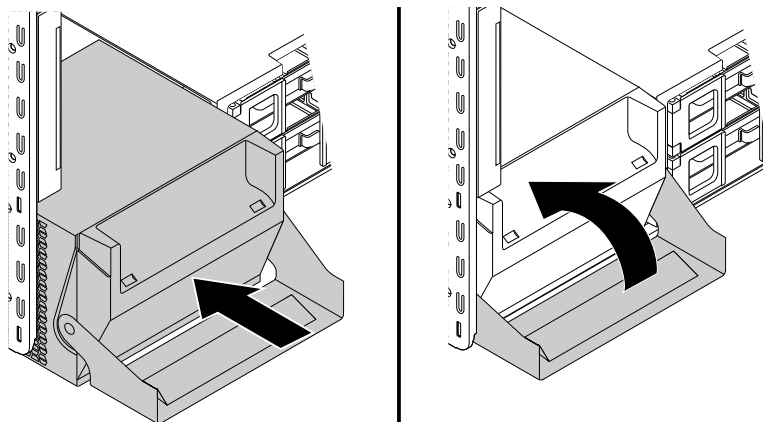


Figure 72. Installing the power supply assembly

#### What to do next:

- To work with another piece of hardware, go to the appropriate section.
- To complete the installation or replacement, go to “Completing the parts replacement” on page 130.

## Installing or replacing a PCI card

**Attention:** Do not open your computer or attempt any repair before reading and understanding the “Read this first: Important safety information” on page v.

Depending on your computer model, your computer comes with one of the following combinations:

- **ThinkStation P500:** One standard PCI card slot, one PCI Express x1 card slot, two PCI Express x4 card slots, and two PCI Express x16 graphics card slots
- **ThinkStation P700:** One standard PCI card slot, one PCI Express x4 card slot, one PCI Express x8 card slot, and three PCI Express x16 graphics card slots

Install PCI Express cards in the following order as illustrated:

- **For ThinkStation P500:**

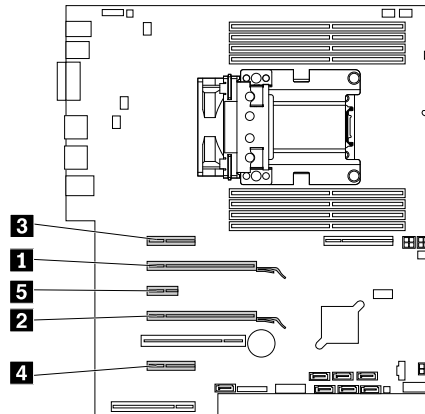


Figure 73. PCI Express card installation order for ThinkStation P500

- **For ThinkStation P700:**

**Note:** If your computer has only one microprocessor installed, only some PCI Express card slots are usable.

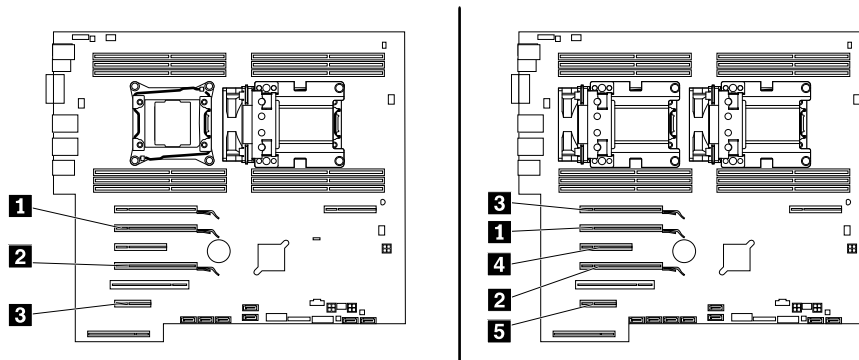


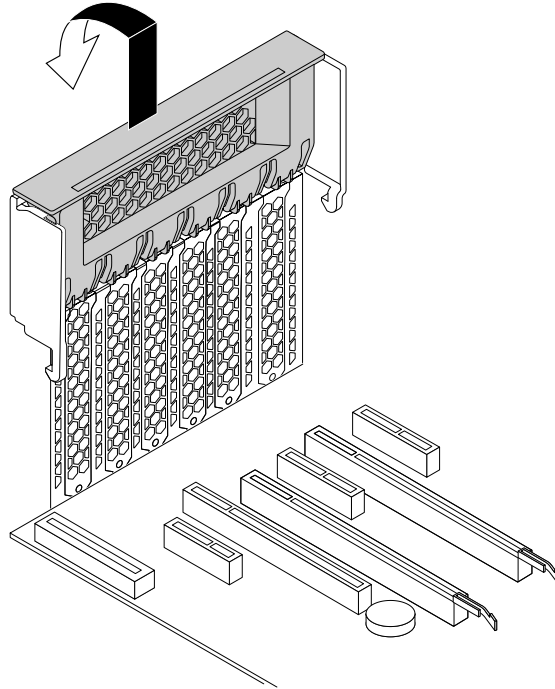
Figure 74. PCI Express card installation order for ThinkStation P700

If your computer comes with a full-length PCI card, refer to “Installing or replacing a full-length PCI card” on page 117 for its replacement instructions.

To install or replace a PCI card, do the following:

1. Remove all media from the drives and turn off all attached devices and the computer. Then, disconnect all power cords from electrical outlets and disconnect all cables that are connected to the computer.

2. Remove the computer cover. See “Removing the computer cover” on page 77.
3. Lay the computer on its side for easier access to the system board.
4. At the rear of the computer, lift up the plastic PCI card latch and pivot it to the left to rest it on the edge of the rear panel.



*Figure 75. Opening the PCI card latch*

5. Depending on whether you are installing or replacing a PCI card, do one of the following:
  - If you are installing a PCI card, remove the appropriate metal slot cover.



- If you are replacing an old PCI card, grasp the old card that is currently installed and gently pull it out of the slot.

**Notes:**

- If the PCI card is connected to another device, disconnect the cable from the card first.
- The card fits tightly into the card slot. If necessary, alternate moving each side of the card a small amount until it is removed from the card slot.
- If the card is held in place by a retaining latch, press the card retaining latch **1** as shown to disengage the latch. Grasp the card and gently pull it out of the slot.

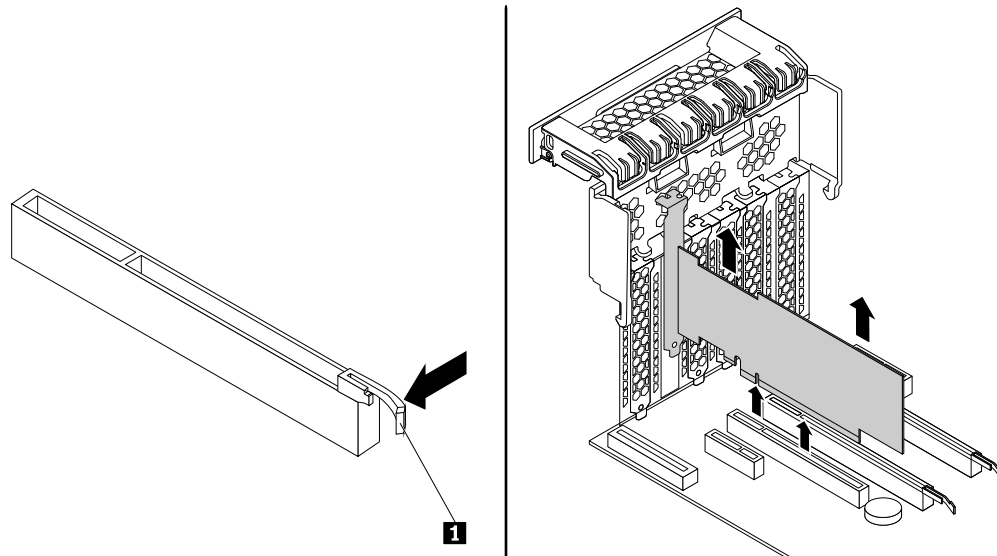


Figure 76. Removing a PCI card

6. Remove the new PCI card from its static-protective package.
7. Install the new card into the appropriate slot on the system board. See “Locating parts on the system board” on page 6.

**Note:** If the new PCI card needs to be connected to another device, connect the cable of the device to the new PCI card.

8. Pivot the PCI card latch to the right and push it back in until it snaps into position.

**What to do next:**

- To work with another piece of hardware, go to the appropriate section.
- To complete the installation or replacement, go to “Completing the parts replacement” on page 130.

## Installing or replacing a full-length PCI card

**Attention:** Do not open your computer or attempt any repair before reading and understanding the “Read this first: Important safety information” on page v.

Depending on your computer model, your computer comes with one of the following combinations:

- **ThinkStation P500:** One standard PCI card slot, one PCI Express x1 card slot, two PCI Express x4 card slots, and two PCI Express x16 graphics card slots

- **ThinkStation P700:** One standard PCI card slot, one PCI Express x4 card slot, one PCI Express x8 card slot, and three PCI Express x16 graphics card slots

To install or replace a full-length PCI card, do the following:

1. Remove all media from the drives and turn off all attached devices and the computer. Then, disconnect all power cords from electrical outlets and disconnect all cables that are connected to the computer.
2. Remove the computer cover. See “Removing the computer cover” on page 77.
3. Lay the computer on its side for easier access to the system board.
4. At the rear of the computer, lift up the plastic card latch and pivot it to the left to rest it on the edge of the rear panel.

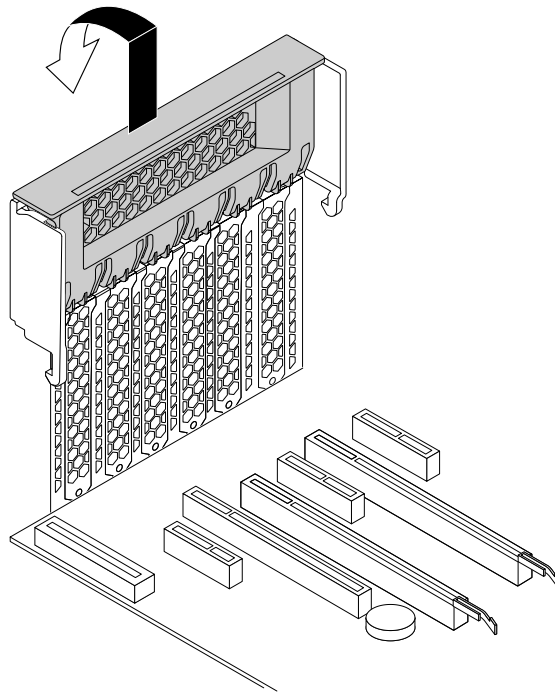


Figure 77. Opening the PCI card latch

5. Pull and pivot the tab on the front fan assembly as shown to open the latch inside.

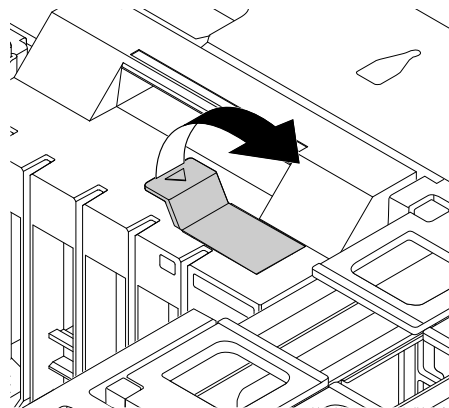
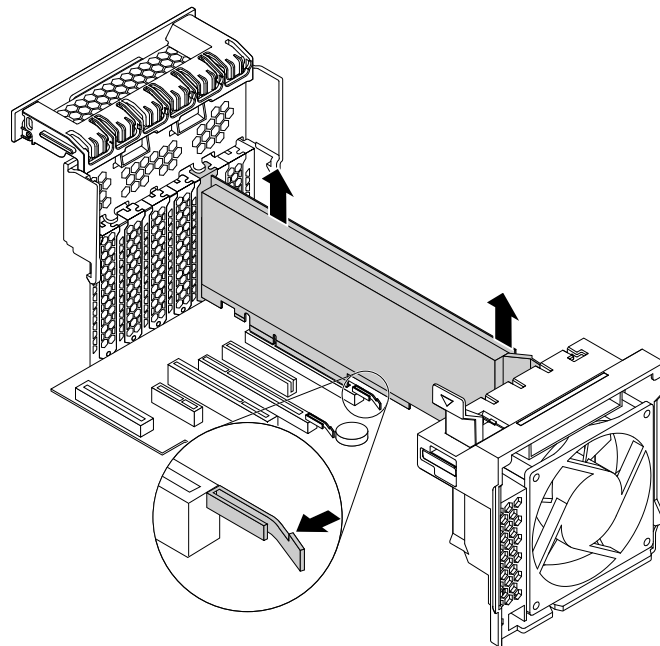


Figure 78. Opening the latch in the front fan assembly

- Depending on whether you are installing or replacing a full-length PCI card, do one of the following:
  - If you are installing a new full-length PCI card, remove the appropriate metal slot cover.
  - If you are replacing an old full-length PCI card, disconnect the power cord from the card, press the card retaining latch as shown to disengage the latch, and then grasp the old card that is currently installed and gently pull it out of the slot.

**Notes:**

- Remove any parts that might prevent your access to the latch.
- The card fits tightly into the card slot. If necessary, alternate moving each side of the card a small amount until it is removed from the card slot.



*Figure 79. Removing a full-length PCI card*

- Remove the new full-length PCI card from its static-protective package.
  - Align the extender on the new full-length PCI card with the corresponding slot in the front fan assembly, and install the new card into the appropriate slot on the system board. See “Locating parts on the system board” on page 6.
- Note:** It is recommended that you install the full-length PCI card into a PCI Express x16 graphics card slot for best performance.
- Pivot the PCI card latch to the right and push it back in until it snaps into position. Then, pivot the tab on the front fan assembly to close the latch inside.
  - Connect one end of the power cable to the new full-length PCI card and the other end to the appropriate power connector on the system board. See “Locating parts on the system board” on page 6.

**What to do next:**

- To work with another piece of hardware, go to the appropriate section.
- To complete the installation or replacement, go to “Completing the parts replacement” on page 130.

## Replacing the rear fan assembly

**Attention:** Do not open your computer or attempt any repair before reading and understanding the “Read this first: Important safety information” on page v.

**Note:** Your computer might come with one or two rear fan assemblies. If your computer comes with two rear fan assemblies, the following instructions apply to either of them.

To replace the rear fan assembly, do the following:

1. Remove all media from the drives and turn off all attached devices and the computer. Then, disconnect all power cords from electrical outlets and disconnect all cables that are connected to the computer.
2. Remove the computer cover. See “Removing the computer cover” on page 77.
3. Remove the direct cooling air baffle. See “Removing and reinstalling the direct cooling air baffle” on page 78.
4. Locate the rear fan assembly. See “Locating components” on page 6.
5. Disconnect the rear fan assembly cable from the rear fan connector on the system board.

**Note:** If your computer comes with two microprocessors, you might remove the heat sink and fan assembly on the left side first for easier access to the rear fan connector. See “Replacing the heat sink and fan assembly” on page 122.

6. Press the retaining clip attached to the edge of the computer rear panel to remove the rear fan assembly as shown from the chassis.

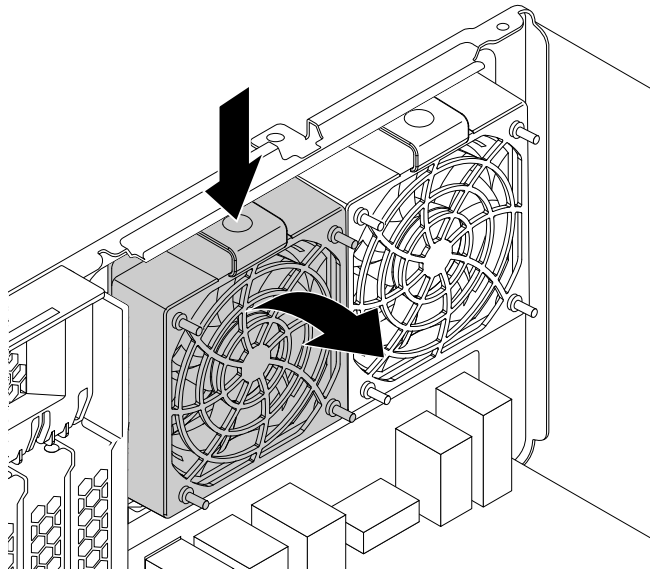


Figure 80. Removing the rear fan assembly

7. Align the two tabs **1** on the new rear fan assembly with the two corresponding slots in the computer chassis.

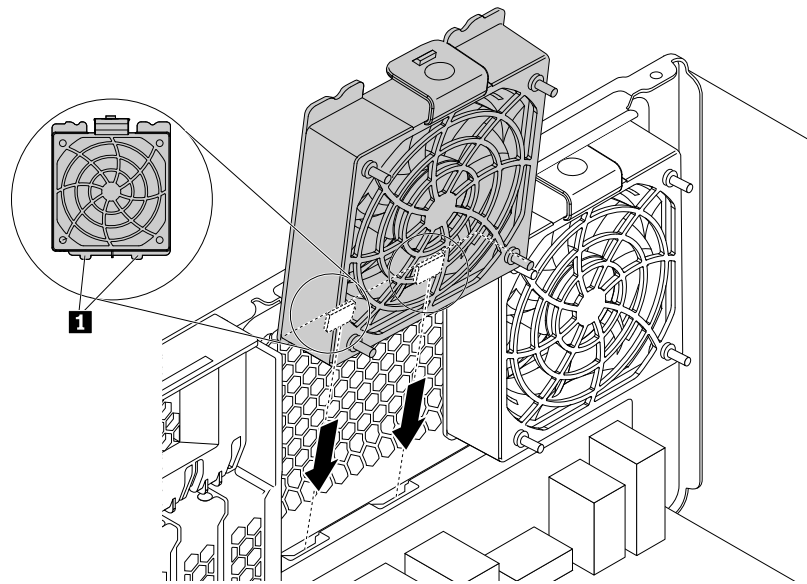


Figure 81. Positioning the rear fan assembly

8. Pivot the new rear fan assembly toward the rear panel as shown until the retaining clip snaps into position.

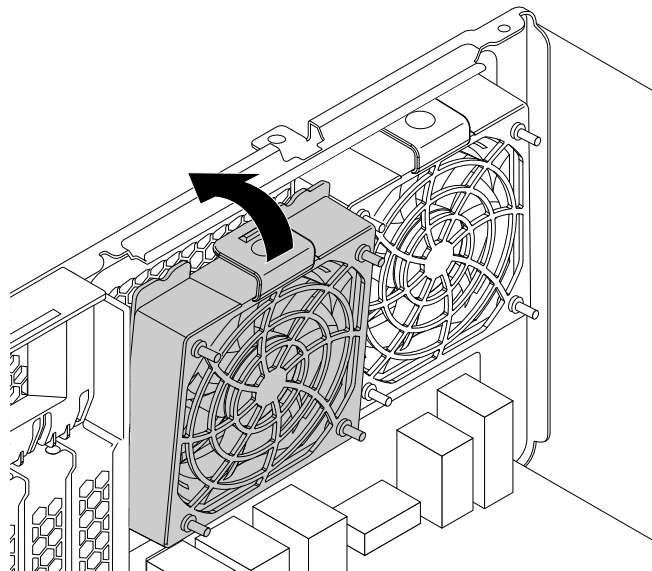


Figure 82. Installing the rear fan assembly

9. Connect the rear fan assembly cable to the rear fan connector on the system board. See “Locating parts on the system board” on page 6.
10. Reinstall the heat sink and fan assembly if you have removed it. See “Replacing the heat sink and fan assembly” on page 122.
11. Reinstall the direct cooling air baffle. See “Removing and reinstalling the direct cooling air baffle” on page 78.

**What to do next:**

- To work with another piece of hardware, go to the appropriate section.
- To complete the installation or replacement, go to “Completing the parts replacement” on page 130.

## Replacing the heat sink and fan assembly

**Attention:** Do not open your computer or attempt any repair before reading and understanding the “Read this first: Important safety information” on page v.

**CAUTION:**

**The heat sink and fan assembly might be very hot. Before you open the computer cover, turn off the computer and wait several minutes until the computer is cool.**

To replace the heat sink and fan assembly, do the following:

1. Remove all media from the drives and turn off all attached devices and the computer. Then, disconnect all power cords from electrical outlets and disconnect all cables that are connected to the computer.
2. Remove the computer cover. See “Removing the computer cover” on page 77.
3. Lay the computer on its side for easier access to the system board.
4. Remove the direct cooling air baffle. See “Removing and reinstalling the direct cooling air baffle” on page 78.
5. Locate the heat sink and fan assembly. See “Locating parts on the system board” on page 6.

**Note:** Depending on your computer model, your computer might come with one or two heat sink and fan assemblies. The illustrations in the following steps might be slightly different from your computer.

6. Disconnect the heat sink and fan assembly cable from the microprocessor fan connector on the system board.

7. Follow the following sequence to remove the four screws that secure the heat sink and fan assembly to the system board:
  - a. Partially remove screw **1**, then fully remove screw **2**, and then fully remove screw **1**.
  - b. Partially remove screw **3**, then fully remove screw **4**, and then fully remove screw **3**.

**Note:** Carefully remove the four screws from the system board to avoid any possible damage to the system board. The four screws cannot be removed from the heat sink and fan assembly.

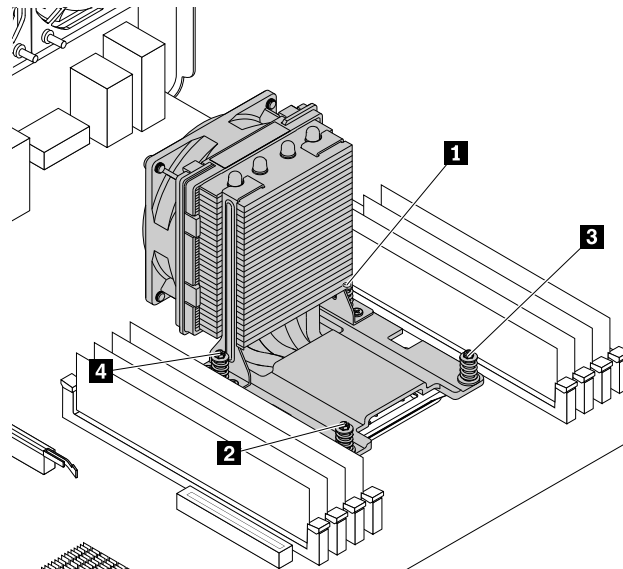


Figure 83. Removing the heat sink and fan assembly

8. Lift the failing heat sink and fan assembly off the system board.

**Notes:**

- You might have to gently twist the heat sink and fan assembly to free it from the microprocessor.
- Do not touch the thermal grease while handling the heat sink and fan assembly.

9. Position the new heat sink and fan assembly on the system board so that the four screws are aligned with the holes on the system board.

**Note:** Position the new heat sink and fan assembly so that the heat sink and fan assembly cable is toward the microprocessor fan connector on the system board.

10. Follow the following sequence to install the four screws to secure the new heat sink and fan assembly. Do not over-tighten the screws.
  - a. Partially tighten screw **1**, then fully tighten screw **2**, and then fully tighten screw **1**.
  - b. Partially tighten screw **3**, then fully tighten screw **4**, and then fully tighten screw **3**.
11. Connect the heat sink and fan assembly cable to the microprocessor fan connector on the system board. See “Locating parts on the system board” on page 6.

**What to do next:**

- To work with another piece of hardware, go to the appropriate section.
- To complete the installation or replacement, go to “Completing the parts replacement” on page 130.

## Installing or replacing a memory module

**Attention:** Do not open your computer or attempt any repair before reading and understanding the “Read this first: Important safety information” on page v.

### For ThinkStation P500:

Your computer has eight slots for installing or replacing DDR4 DIMMs that provide up to a maximum of 256 GB system memory. When installing or replacing a memory module, use the following guidelines:

- Use DDR4 ECC UDIMMs, DDR4 ECC RDIMMs, or DDR4 ECC LRDIMMs for your computer. Do not install any combination of UDIMMs, RDIMMs, and LRDIMMs into the same computer.
- Use 4 GB DDR4 ECC UDIMMs in any combination up to a maximum of 32 GB.
- Use 4 GB, 8 GB, or 16 GB DDR4 ECC RDIMMs in any combination up to a maximum of 128 GB.
- Use 32 GB DDR4 ECC LRDIMMs in any combination up to a maximum of 256 GB.
- Always install DIMMs in the following order as illustrated:

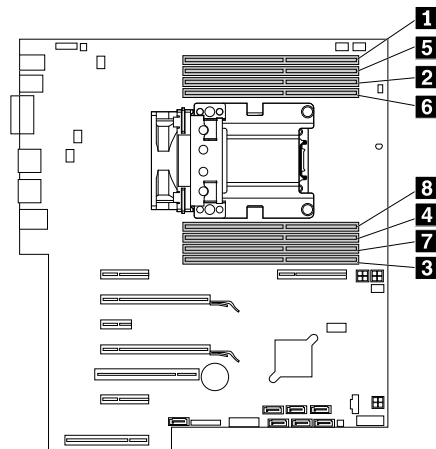


Figure 84. Memory module installation order for ThinkStation P500

### For ThinkStation P700:

Your computer has 12 slots for installing or replacing DDR4 DIMMs that provide up to a maximum of 384 GB system memory. When installing or replacing a memory module, use the following guidelines:

- Use DDR4 ECC UDIMMs, DDR4 ECC RDIMMs, or DDR4 ECC LRDIMMs for your computer. Do not install any combination of UDIMMs, RDIMMs, and LRDIMMs into the same computer.
- Use 4 GB DDR4 ECC UDIMMs in any combination up to a maximum of 48GB.
- Use 4 GB, 8 GB, or 16 GB DDR4 ECC RDIMMs in any combination up to a maximum of 192 GB.
- Use 32 GB DDR4 ECC LRDIMMs in any combination up to a maximum of 384 GB.
- If your computer has only one microprocessor installed, install memory modules only in the memory slots adjacent to that microprocessor.

**Note:** Ensure that the microprocessor is installed into the microprocessor socket on the right side.

- If your computer has two microprocessors installed, install equal numbers of memory modules in both sets of microprocessor DIMM slots for maximum performance.



- Always install DIMMs in the following order as illustrated:

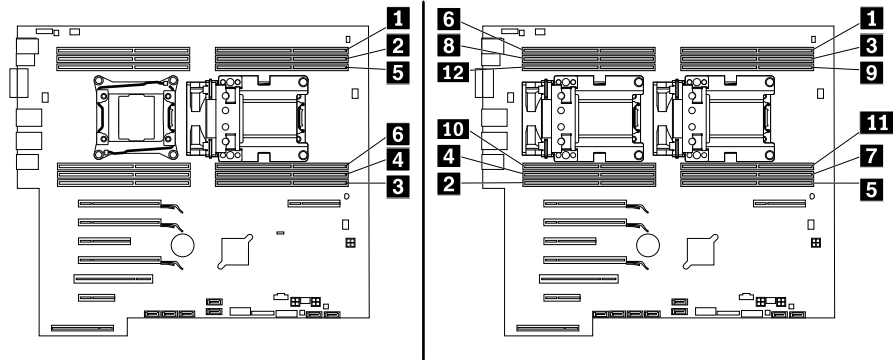


Figure 85. Memory module installation order for ThinkStation P700

To install or replace a memory module, do the following:

1. Remove all media from the drives and turn off all attached devices and the computer. Then, disconnect all power cords from electrical outlets and disconnect all cables that are connected to the computer.
2. Remove the computer cover. See “Removing the computer cover” on page 77.
3. Remove the direct cooling air baffle. See “Removing and reinstalling the direct cooling air baffle” on page 78.
4. Lay the computer on its side for easier access to the system board.
5. Locate the memory slots. See “Locating parts on the system board” on page 6.
6. Remove any parts that might prevent your access to the memory slots. Depending on your computer model, you might need to remove the optical drive bracket for easier access to the memory slots. See “Removing and reinstalling the optical drive bracket” on page 83.
7. Depending on whether you are installing or replacing a memory module, do one of the following:
  - If you are replacing an old memory module, open the retaining clips and gently pull the memory module out of the memory slot.

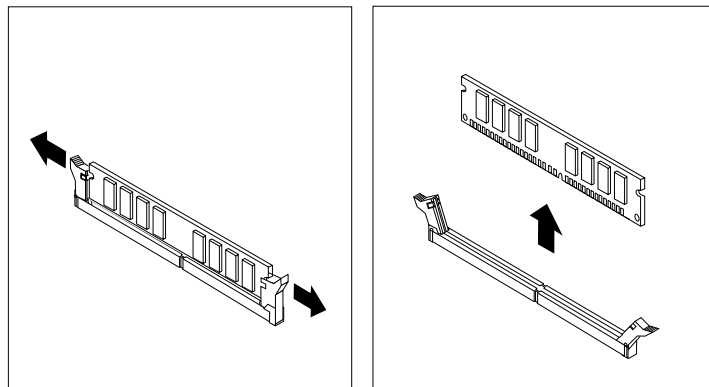


Figure 86. Removing a memory module

- If you are installing a memory module, open the retaining clips of the memory slot into which you want to install the memory module.

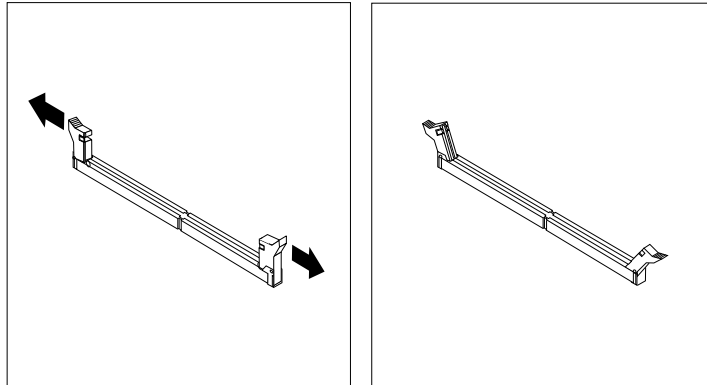


Figure 87. Opening the retaining clips

8. Position the new memory module over the memory slot. Ensure that the notch **1** on the memory module aligns correctly with the slot key **2** on the system board. Push the memory module straight down into the slot until the retaining clips close.

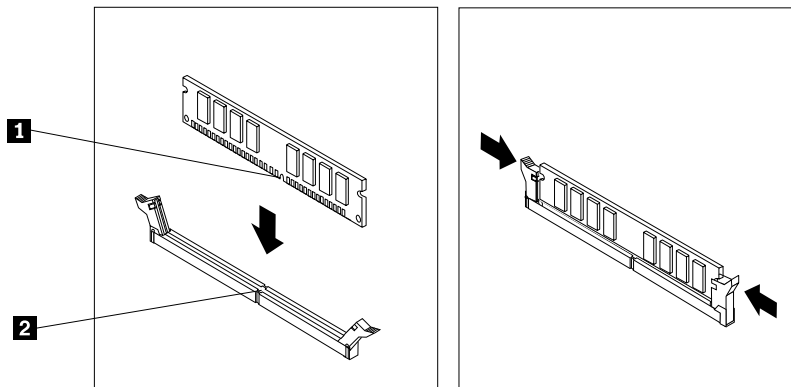


Figure 88. Installing a memory module

9. Reinstall the optical drive bracket if you have removed it. See “Removing and reinstalling the optical drive bracket” on page 83.
10. Reinstall the direct cooling air baffle. See “Removing and reinstalling the direct cooling air baffle” on page 78.

**What to do next:**

- To work with another piece of hardware, go to the appropriate section.
- To complete the installation or replacement, go to “Completing the parts replacement” on page 130.

**Installing or replacing a flex adapter**

**Attention:** Do not open your computer or attempt any repair before reading and understanding the “Read this first: Important safety information” on page v.

Depending on your computer model, the type of flex adapter on your computer varies.

**Note:** This section uses illustrations for installing or replacing a flex adapter on a ThinkStation P500 computer as examples. For a ThinkStation P700 computer, the plastic tab on the flex adapter might be shorter than illustrated.

To install or replace a flex adapter, do the following:

1. Remove all media from the drives and turn off all attached devices and the computer. Then, disconnect all power cords from electrical outlets and disconnect all cables that are connected to the computer.
2. Remove the computer cover. See “Removing the computer cover” on page 77.
3. Lay the computer on its side for easier access to the system board.
4. Locate the flex adapter slot on the system board. See “Locating parts on the system board” on page 6.
5. Pull and pivot the tab on the front fan assembly as shown to open the latch inside.

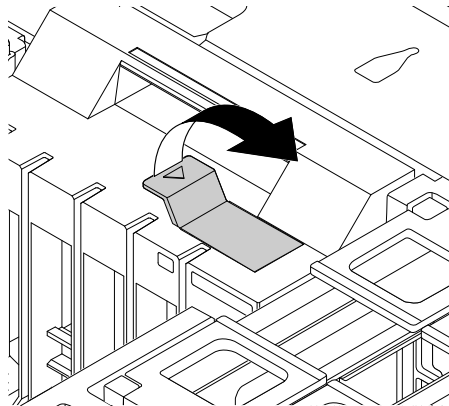


Figure 89. Opening the latch in the front fan assembly

6. If you are replacing an old flex adapter, grasp the old card that is currently installed and gently pull it out of the flex adapter slot.

**Note:** If there is any cable connected to the old flex adapter, disconnect the cable first.

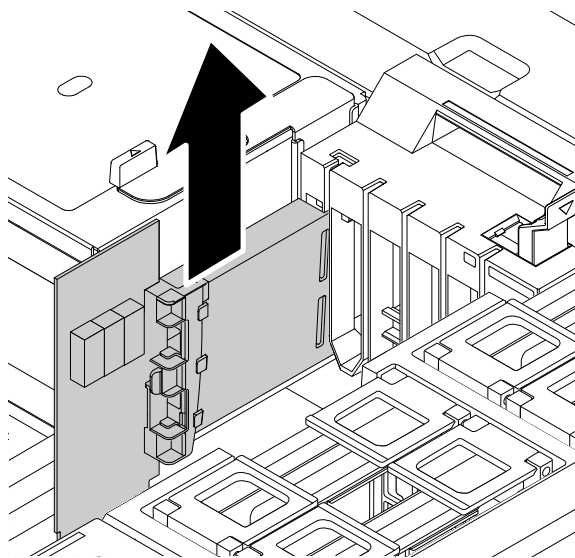


Figure 90. Removing the flex adapter

- Align the plastic tab **1** on the flex adapter with the corresponding slot in the front fan assembly, and install the new flex adapter into the flex adapter slot.

**Note:** Ensure that you install the flex adapter only into a flex adapter slot. Do not install the flex adapter into a PCI or PCI Express card slot.

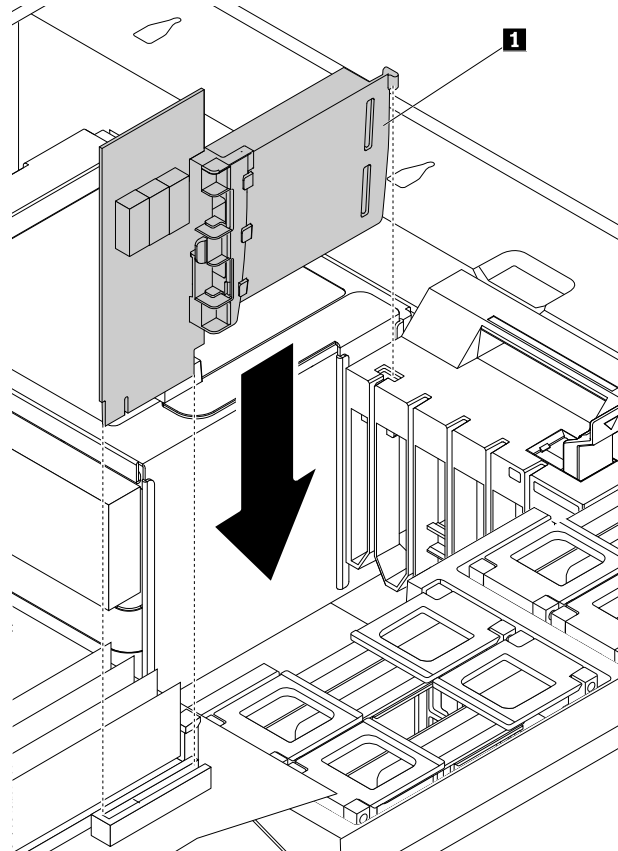


Figure 91. Installing the flex adapter

- Pivot the tab on the front fan assembly to close the latch inside. Ensure that the new flex adapter is secured in position.
- If the new flex adapter only works with a cable connected to it, connect the cable to the new flex adapter.

**What to do next:**

- To work with another piece of hardware, go to the appropriate section.
- To complete the installation or replacement, go to “Completing the parts replacement” on page 130.

## Replacing the battery

**Attention:** Do not open your computer or attempt any repair before reading and understanding the “Read this first: Important safety information” on page v.

Your computer has a special type of memory that maintains the date, time, and settings for built-in features, such as parallel-connector assignments (configuration). A battery keeps this information active when you turn off the computer.

The battery normally requires no charging or maintenance throughout its life; however, no battery lasts forever. If the battery fails, the date, time, and configuration information (including passwords) are lost. An error message is displayed when you turn on the computer.

Refer to the “Lithium coin cell battery notice” in the *Safety, Warranty, and Setup Guide* for information about replacing and disposing of the battery.

To replace the battery, do the following:

1. Remove all media from the drives and turn off all attached devices and the computer. Then, disconnect all power cords from electrical outlets and disconnect all cables that are connected to the computer.
2. Remove the computer cover. See “Removing the computer cover” on page 77.
3. Locate the battery. See “Locating parts on the system board” on page 6.
4. Remove any parts that might impede your access to the battery. Depending on your computer model, you might need to remove the PCI card for easier access to the battery. See “Installing or replacing a PCI card” on page 114 or “Installing or replacing a full-length PCI card” on page 117.
5. Remove the old battery.

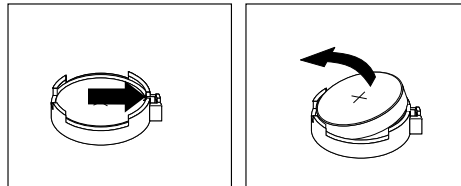


Figure 92. Removing the battery

6. Install a new battery.

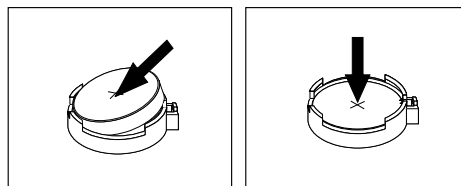


Figure 93. Installing a battery

7. Reinstall the PCI card if you have removed it. See “Installing or replacing a PCI card” on page 114 or “Installing or replacing a full-length PCI card” on page 117.
  8. Reinstall the computer cover and connect the cables. See “Completing the parts replacement” on page 130.
- Note:** When the computer is turned on for the first time after replacing the battery, an error message might be displayed. This is normal after replacing the battery.
9. Turn on the computer and all attached devices.
  10. Use the Setup Utility program to set the date, time, and any passwords. See “Using the Setup Utility program” on page 37.

**What to do next:**

- To work with another piece of hardware, go to the appropriate section.

- To complete the installation or replacement, go to “Completing the parts replacement” on page 130.

## Replacing the keyboard or mouse

**Attention:** Do not open your computer or attempt any repair before reading and understanding the “Read this first: Important safety information” on page v.

To replace the keyboard or mouse, do the following:

1. Disconnect the old keyboard cable or mouse cable from the computer.
2. Connect a new keyboard or mouse to one of the USB connectors on the computer. Depending on where you want to connect the new keyboard or mouse, see “Locating connectors, controls, and indicators on the front of your computer” on page 2 or “Locating connectors on the rear of your computer” on page 2.

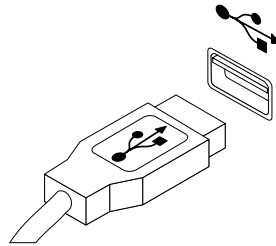


Figure 94. Connecting the USB keyboard or mouse

### What to do next:

- To work with another piece of hardware, go to the appropriate section.
- To complete the installation or replacement, go to “Completing the parts replacement” on page 130.

## Completing the parts replacement

After completing the installation or replacement for all parts, you need to reinstall the computer cover and reconnect cables. Depending on the parts you installed or replaced, you might need to confirm the updated information in the Setup Utility program. See “Using the Setup Utility program” on page 37.

To reinstall the computer cover and reconnect cables to your computer, do the following:

1. Ensure that all components have been reassembled correctly and that no tools or loose screws are left inside your computer. See “Locating components” on page 6 for the locations of various components in your computer.
2. Ensure that the cables are routed correctly before reinstalling the computer cover. Keep cables clear of the hinges and sides of the computer chassis to avoid interference with reinstalling the computer cover.

3. Position the computer cover on the chassis so that the slots on both the top and the bottom of the cover are aligned with the corresponding little posts on the chassis.

**Note:** Keep the handle on the cover latch lifted before you finish reinstalling the computer cover.

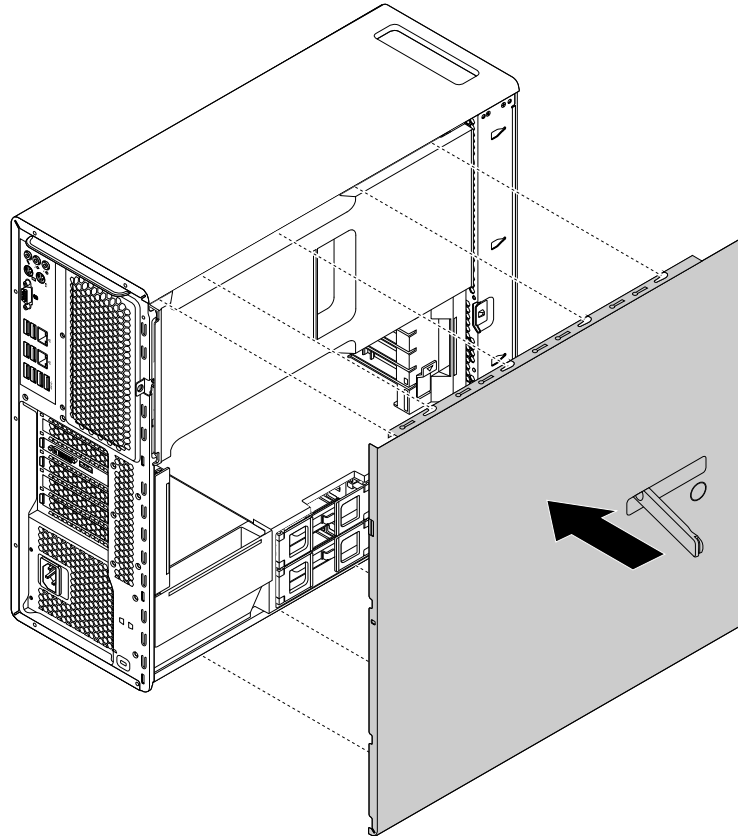
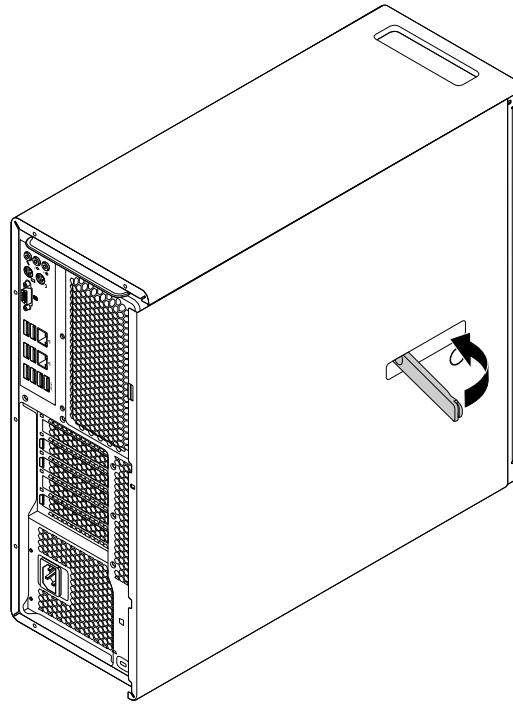


Figure 95. Positioning the computer cover

4. Pivot the lifted handle on the cover latch inward as shown to the closed position so that the computer cover is secured in position.



*Figure 96. Reinstalling the computer cover*

5. If there is any locking device available, such as a key lock, a padlock, or a Kensington-style cable lock, lock the computer cover. See Chapter 4 “Security” on page 33.
6. Reconnect the external cables and power cords to the computer. See “Locating connectors on the rear of your computer” on page 2.
7. To update your configuration, see “Using the Setup Utility program” on page 37.

**Note:** In most areas of the world, Lenovo requires the return of the defective Customer Replaceable Unit (CRU). Information about this will come with the CRU or will come a few days after the CRU arrives.

### **Obtaining device drivers**

You can obtain device drivers that are not preinstalled in your operating system at <http://www.lenovo.com/support>. Installation instructions are provided in readme files with the device-driver files.



---

## Chapter 10. Getting information, help, and service

This chapter contains information about help, service, and technical assistance for products manufactured by Lenovo.

---

### Information resources

You can use the information in this section to access useful resources relating to your computing needs.

### Lenovo ThinkVantage Tools

The Lenovo ThinkVantage Tools program provides easy access to various tools to help you work more easily and securely.

To access the Lenovo ThinkVantage Tools program, click **Start → All Programs → Lenovo ThinkVantage Tools**.

### Help and Support

The Windows Help and Support information system provides you with various help and support information from Lenovo and Microsoft, such as updating drivers, accessing programs, and accessing user manuals.

To access the Windows Help and Support information system, do one of the following:

- On the Windows 7 operating system, click **Start → Help and Support**.
- On the Windows 8.1 operating system, move the pointer to the top-right or bottom-right corner of the screen to display the charms. Then click **Settings → Help**.

### Safety and Warranty

The *Safety, Warranty, and Setup Guide* that is provided with your computer contains information on safety, setup, warranty, and notices. The safety information in the *Safety, Warranty, and Setup Guide* provides information you need to know before setting up and using this product. Read and understand all safety information provided in the *Safety, Warranty, and Setup Guide* before using this product.

The information in “Read this first: Important safety information” on page v of this *User Guide* provides additional safety information that applies to topics and tasks described in this publication. Read and understand all safety information provided in that section before disassembling or upgrading this product.

### Lenovo Web site

The Lenovo Web site (<http://www.lenovo.com>) provides up-to-date information and services to help you buy, upgrade, and maintain your computer. You can also do the following:

- Shop for desktop and notebook computers, monitors, projectors, upgrades and accessories for your computer, and special offers.
- Purchase additional services, such as support for hardware, operating systems, application programs, network setup and configuration, and custom installations.
- Purchase upgrades and extended hardware repair services.
- Download the latest device drivers and software updates for your computer model.
- Access the online manuals for your products.
- Access the Lenovo Limited Warranty.

- Access troubleshooting and support information for your computer model and other supported products.
- Find the service and support phone numbers for your country or region.
- Find a Service Provider located near you.

## Lenovo Support Web site

Technical support information is available on the Lenovo Support Web site at:  
<http://www.lenovo.com/support>

This Web site is updated with the latest support information such as the following:

- Drivers and software
- Diagnostic solutions
- Product and service warranty
- Product and parts details
- User guides and manuals
- Knowledge base and frequently asked questions

---

## Help and service

This section contains information about obtaining help and service.

### Using the documentation and diagnostic program

If you experience a problem with your computer, see Chapter 7 “Troubleshooting and diagnostics” on page 55. For information on additional resources to help you troubleshoot your computer problem, see “Information resources” on page 133.

If you suspect a software problem, see the documentation that comes with the operating system or software program, including readme files and online help.

Most computers come with a diagnostic program that help you identify hardware problems.

You can also get the latest technical information and download device drivers and updates from Lenovo Support Web site at:  
<http://www.lenovo.com/support>

### Calling for service

During the warranty period, you can get help and information by telephone through the Customer Support Center.

The following services are available during the warranty period:

- **Problem determination** - Trained service personnel are available to assist you with determining a hardware problem and deciding what action is necessary to fix the problem.
- **Hardware repair** - If the problem is caused by hardware under warranty, trained service personnel are available to provide the applicable level of service.
- **Engineering Change management** - There might be changes that are required after a product has been sold. Lenovo or your reseller will make selected Engineering Changes (ECs) that apply to your hardware available.

These items are not covered by the warranty:

- Replacement or use of parts not manufactured for or by Lenovo or non-warranted Lenovo parts
- Identification of software problem sources
- Configuration of BIOS as part of an installation or upgrade
- Changes, modifications, or upgrades to device drivers
- Installation and maintenance of network operating systems (NOS)
- Installation and maintenance of application programs

Refer to the *Safety, Warranty, and Setup Guide* that comes with your computer for information about your warranty type and duration. You must retain your proof of purchase to obtain warranty service.

For a list of Lenovo Support phone numbers, go to <http://www.lenovo.com/support/phone> or refer to the *Safety, Warranty, and Setup Guide* that comes with your computer.

**Note:** Phone numbers are subject to change without notice. If the number for your country or region is not provided, contact your Lenovo reseller or Lenovo marketing representative.

If possible, be at your computer when you call. Have the following information available:

- Machine type and model
- Serial numbers of your hardware products
- Description of the problem
- Exact wording of any error messages
- Hardware and software configuration information

## Using other services

You might travel with your computer or relocate it to a country or region where the machine type for your desktop or notebook computer is sold. In such a situation, your computer might be eligible for International Warranty Service, which automatically entitles you to obtain warranty service throughout the warranty period. Service will be performed by service providers authorized to perform warranty service.

Service methods and procedures vary by country, and some services might not be available in all countries. International Warranty Service is delivered through the method of service (such as depot, carry-in, or on-site service) that is provided in the servicing country. Service centers in certain countries might not be able to service all models of a particular machine type. In some countries, fees and restrictions might apply at the time of service.

To determine whether your computer is eligible for International Warranty Service and to view a list of the countries or regions where service is available, go to <http://www.lenovo.com/support>. Then click **Product & Service Warranty**, and follow the instructions on the screen.

For technical assistance with the installation of or questions related to Service Packs for your preinstalled Microsoft Windows product, go to the Microsoft Product Support Web site at <http://support.microsoft.com>. You also can contact the Lenovo Customer Support Center for help. Some fees might apply.

## Purchasing additional services

During and after the warranty period, you can purchase additional services. Examples of these additional services include:

- Support for hardware, operating systems, and application programs
- Network setup and configuration services
- Upgraded or extended hardware repair services
- Custom installation services

Service availability and service name might vary by country or region. For more information about these services, go to the Lenovo Web site at:  
<http://www.lenovo.com>

## Chapter 11. System memory speed

The Intel Xeon® microprocessor families compatible with this ThinkStation computer feature an integrated memory controller, which provides the microprocessor with direct access to the system memory. Because of this design, the system memory speed will be determined by a number of factors, including the microprocessor model and the type, speed, size (capacity), and number of DIMMs installed. Refer to the following table for the information on the supported system memory speed for your own computer model.

Table 2. DIMM type and speed: UDIMM PC4-2133-E

DIMM operating voltage	Microprocessor model	Memory frequency
1.2 V	Intel Xeon E5-2699 v3, E5-2698 v3, E5-2697 v3, E5-2695 V3, E5-2690 v3, E5-2685 v3, E5-2683 v3, E5-2680 v3, E5-2670 v3, E5-2667 v3, E5-2660 v3, E5-2650 v3, E5-2643 v3, E5-2637 v3, E5-2650L v3, E5-1680 v3, E5-1660 v3, E5-1650 v3, E5-1630 v3, E5-1620 v3	2133 MHz
1.2 V	Intel Xeon E5-2640 v3, E5-2630 v3, E5-2623 v3, E5-2620 v3, E5-2630L v3, E5-1607 v3, E5-1603 v3	1866 MHz
1.2 V	Intel Xeon E5-2609 v3, E5-2603 v3	1600 MHz

Table 3. DIMM type and speed: RDIMM PC4-2133-R

DIMM operating voltage	Microprocessor model	Memory frequency
1.2 V	Intel Xeon E5-2699 v3, E5-2698 v3, E5-2697 v3, E5-2695 V3, E5-2690 v3, E5-2685 v3, E5-2683 v3, E5-2680 v3, E5-2670 v3, E5-2667 v3, E5-2660 v3, E5-2650 v3, E5-2643 v3, E5-2637 v3, E5-2650L v3, E5-1680 v3, E5-1660 v3, E5-1650 v3, E5-1630 v3, E5-1620 v3	2133 MHz
1.2 V	Intel Xeon E5-2640 v3, E5-2630 v3, E5-2623 v3, E5-2620 v3, E5-2630L v3, E5-1607 v3, E5-1603 v3	1866 MHz
1.2 V	Intel Xeon E5-2609 v3, E5-2603 v3	1600 MHz

Table 4. DIMM type and speed: LRDIMM PC4-2133-L

DIMM operating voltage	Microprocessor model	Memory frequency
1.2 V	Intel Xeon E5-2699 v3, E5-2698 v3, E5-2697 v3, E5-2695 V3, E5-2690 v3, E5-2685 v3, E5-2683 v3, E5-2680 v3, E5-2670 v3, E5-2667 v3, E5-2660 v3, E5-2650 v3, E5-2643 v3, E5-2637 v3, E5-2650L v3, E5-1680 v3, E5-1660	2133 MHz

Table 4. DIMM type and speed: LRDIMM PC4-2133-L (continued)

DIMM operating voltage	Microprocessor model	Memory frequency
	v3, E5-1650 v3, E5-1630 v3, E5-1620 v3	
1.2 V	Intel Xeon E5-2640 v3, E5-2630 v3, E5-2623 v3, E5-2620 v3, E5-2630L v3, E5-1607 v3, E5-1603 v3	1866 MHz
1.2 V	Intel Xeon E5-2609 v3, E5-2603 v3	1600 MHz

---

## Appendix A. Regulatory information

---

### Export classification notice

This product is subject to the United States Export Administration Regulations (EAR) and has an Export Classification Control Number (ECCN) of 4A994.b. It can be re-exported except to any of the embargoed countries in the EAR E1 country list.

---

### Electronic emissions notices

The following information refers to Lenovo personal computer machine types 30A6, 30A7, 30A8, and 30A9.

### Federal Communications Commission Declaration of Conformity

This equipment has been tested and found to comply with the limits for a Class B digital device, pursuant to Part 15 of the FCC Rules. These limits are designed to provide reasonable protection against harmful interference in a residential installation. This equipment generates, uses, and can radiate radio frequency energy and, if not installed and used in accordance with the instructions, may cause harmful interference to radio communications. However, there is no guarantee that interference will not occur in a particular installation. If this equipment does cause harmful interference to radio or television reception, which can be determined by turning the equipment off and on, the user is encouraged to try to correct the interference by one or more of the following measures:

- Reorient or relocate the receiving antenna.
- Increase the separation between the equipment and receiver.
- Connect the equipment into an outlet on a circuit different from that to which the receiver is connected.
- Consult an authorized dealer or service representative for help.

Lenovo is not responsible for any radio or television interference caused by using other than specified or recommended cables and connectors or by unauthorized changes or modifications to this equipment. Unauthorized changes or modifications could void the user's authority to operate the equipment.

This device complies with Part 15 of the FCC Rules. Operation is subject to the following two conditions: (1) this device may not cause harmful interference, and (2) this device must accept any interference received, including interference that may cause undesired operation.

Responsible Party:  
Lenovo (United States) Incorporated  
1009 Think Place - Building One  
Morrisville, NC 27560  
Phone Number: 919-294-5900



### Industry Canada Class B emission compliance statement

CAN ICES-3(B)/NMB-3(B)

### European Union - Compliance to the Electromagnetic Compatibility Directive

This product is in conformity with the protection requirements of EU Council Directive 2004/108/EC on the approximation of the laws of the Member States relating to electromagnetic compatibility. Lenovo cannot accept responsibility for any failure to satisfy the protection requirements resulting from a non-recommended modification of the product, including the installation of option cards from other manufacturers.

This product has been tested and found to comply with the limits for Class B Information Technology Equipment according to European Standard EN 55022. The limits for Class B equipment were derived for typical residential environments to provide reasonable protection against interference with licensed communication devices.

Lenovo, Einsteinova 21, 851 01 Bratislava, Slovakia



### German Class B compliance statement

#### Deutschsprachiger EU Hinweis:

##### **Hinweis für Geräte der Klasse B EU-Richtlinie zur Elektromagnetischen Verträglichkeit**

Dieses Produkt entspricht den Schutzanforderungen der EU-Richtlinie 2004/108/EG (früher 89/336/EWG) zur Angleichung der Rechtsvorschriften über die elektromagnetische Verträglichkeit in den EU-Mitgliedsstaaten und hält die Grenzwerte der EN 55022 Klasse B ein.

Um dieses sicherzustellen, sind die Geräte wie in den Handbüchern beschrieben zu installieren und zu betreiben. Des Weiteren dürfen auch nur von der Lenovo empfohlene Kabel angeschlossen werden. Lenovo übernimmt keine Verantwortung für die Einhaltung der Schutzanforderungen, wenn das Produkt ohne Zustimmung der Lenovo verändert bzw. wenn Erweiterungskomponenten von Fremdherstellern ohne Empfehlung der Lenovo gesteckt/eingebaut werden.

#### Deutschland:

##### **Einhaltung des Gesetzes über die elektromagnetische Verträglichkeit von Betriebsmitteln**

Dieses Produkt entspricht dem „Gesetz über die elektromagnetische Verträglichkeit von Betriebsmitteln“ EMVG (früher „Gesetz über die elektromagnetische Verträglichkeit von Geräten“). Dies ist die Umsetzung der EU-Richtlinie 2004/108/EG (früher 89/336/EWG) in der Bundesrepublik Deutschland.

##### **Zulassungsbescheinigung laut dem Deutschen Gesetz über die elektromagnetische Verträglichkeit von Betriebsmitteln, EMVG vom 20. Juli 2007 (früher Gesetz über die elektromagnetische Verträglichkeit von Geräten), bzw. der EMV EG Richtlinie 2004/108/EC (früher 89/336/EWG), für Geräte der Klasse B.**

Dieses Gerät ist berechtigt, in Übereinstimmung mit dem Deutschen EMVG das EG-Konformitätszeichen - CE - zu führen. Verantwortlich für die Konformitätserklärung nach Paragraf 5 des EMVG ist die Lenovo (Deutschland) GmbH, Gropiusplatz 10, D-70563 Stuttgart.

Informationen in Hinsicht EMVG Paragraf 4 Abs. (1) 4:

**Das Gerät erfüllt die Schutzanforderungen nach EN 55024 und EN 55022 Klasse B.**

### Korea Class B compliance statement

<b>B급 기기(가정용 방송통신기자재)</b>
이 기기는 가정용(B급) 전자파적합기기로서 주로 가정에서 사용하는 것을 목적으로 하며, 모든 지역에서 사용할 수 있습니다.



## Japan VCCI Class B compliance statement

この装置は、クラスB情報技術装置です。この装置は、家庭環境で使用することを目的としていますが、この装置がラジオやテレビジョン受信機に近接して使用されると、受信障害を引き起こすことがあります。

取扱説明書に従って正しい取り扱いをして下さい。

VCCI-B

## Japan compliance statement for products which connect to the power mains with rated current less than or equal to 20 A per phase

日本の定格電流が 20A/相 以下の機器に対する高調波電流規制  
高調波電流規格 JIS C 61000-3-2 適合品

## Lenovo product service information for Taiwan

台灣 Lenovo 產品服務資訊如下：  
荷蘭商聯想股份有限公司台灣分公司  
台北市內湖區堤頂大道二段89號5樓  
服務電話：0800-000-702

## Keyboard and mouse compliance statement for Taiwan

本產品隨貨附已取得經濟部標準檢驗局認可之PS/2或USB的鍵盤與滑鼠一組

---

## Eurasian compliance mark



---

## Brazil regulatory notice

Ouvir sons com mais de 85 decibéis por longos períodos pode provocar danos ao sistema auditivo.

---

## Mexico regulatory notice

**Advertencia:** En Mexico la operación de este equipo está sujeta a las siguientes dos condiciones: (1) es posible que este equipo o dispositivo no cause interferencia perjudicial y (2) este equipo o dispositivo debe aceptar cualquier interferencia, incluyendo la que pueda causar su operación no deseada.

---

## Additional regulatory information

For additional regulatory information, refer to the *Regulatory Notice* shipped with your computer. Depending on the configuration of your computer and the country or region where the computer was purchased, you might have received additional printed regulatory notices. All regulatory notices are available on the Lenovo Support Web site in electronic format. To access electronic copies of the documentation, go to <http://www.lenovo.com/UserManuals>.



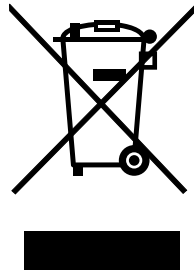
---

## Appendix B. WEEE and recycling information

Lenovo encourages owners of information technology (IT) equipment to responsibly recycle their equipment when it is no longer needed. Lenovo offers a variety of programs and services to assist equipment owners in recycling their IT products. For information on recycling Lenovo products, go to:  
<http://www.lenovo.com/recycling>

---

### Important WEEE information



The WEEE marking on Lenovo products applies to countries with WEEE and e-waste regulations (for example, European Directive 2002/96/EC, India E-Waste Management & Handling Rules, 2011). Appliances are labeled in accordance with local regulations concerning waste electrical and electronic equipment (WEEE). These regulations determine the framework for the return and recycling of used appliances as applicable within each geography. This label is applied to various products to indicate that the product is not to be thrown away, but rather put in the established collection systems for reclaiming these end of life products.

Users of electrical and electronic equipment (EEE) with the WEEE marking must not dispose of end of life EEE as unsorted municipal waste, but use the collection framework available to them for the return, recycle, and recovery of WEEE and to minimize any potential effects of EEE on the environment and human health due to the presence of hazardous substances. For additional WEEE information go to:  
<http://www.lenovo.com/recycling>

---

### Recycling information for Japan

#### Collecting and recycling a disused Lenovo computer or monitor

If you are a company employee and need to dispose of a Lenovo computer or monitor that is the property of the company, you must do so in accordance with the Law for Promotion of Effective Utilization of Resources. Computers and monitors are categorized as industrial waste and should be properly disposed of by an industrial waste disposal contractor certified by a local government. In accordance with the Law for Promotion of Effective Utilization of Resources, Lenovo Japan provides, through its PC Collecting and Recycling Services, for the collecting, reuse, and recycling of disused computers and monitors. For details, visit the Lenovo Web site at <http://www.lenovo.com/recycling/japan>. Pursuant to the Law for Promotion of Effective Utilization of Resources, the collecting and recycling of home-used computers and monitors by the manufacturer was begun on October 1, 2003. This service is provided free of charge for home-used computers sold after October 1, 2003. For details, visit the Lenovo Web site at <http://www.lenovo.com/recycling/japan>.

## Disposing of Lenovo computer components

Some Lenovo computer products sold in Japan may have components that contain heavy metals or other environmental sensitive substances. To properly dispose of disused components, such as a printed circuit board or drive, use the methods described above for collecting and recycling a disused computer or monitor.

## Disposing of disused lithium batteries from Lenovo computers

A button-shaped lithium battery is installed inside your Lenovo computer to provide power to the computer clock while the computer is off or disconnected from the main power source. If you need to replace it with a new one, contact your place of purchase or contact Lenovo for service. If you need to dispose of a disused lithium battery, insulate it with vinyl tape, contact your place of purchase or an industrial-waste-disposal operator, and follow their instructions. Disposal of a lithium battery must comply with local ordinances and regulations.

---

## Recycling information for Brazil

### Declarações de Reciclagem no Brasil

#### Descarte de um Produto Lenovo Fora de Uso

Equipamentos elétricos e eletrônicos não devem ser descartados em lixo comum, mas enviados à pontos de coleta, autorizados pelo fabricante do produto para que sejam encaminhados e processados por empresas especializadas no manuseio de resíduos industriais, devidamente certificadas pelos órgãos ambientais, de acordo com a legislação local.

A Lenovo possui um canal específico para auxiliá-lo no descarte desses produtos. Caso você possua um produto Lenovo em situação de descarte, ligue para o nosso SAC ou encaminhe um e-mail para: [reciclar@lenovo.com](mailto:reciclar@lenovo.com), informando o modelo, número de série e cidade, a fim de enviarmos as instruções para o correto descarte do seu produto Lenovo.

---

## Battery recycling information for Taiwan

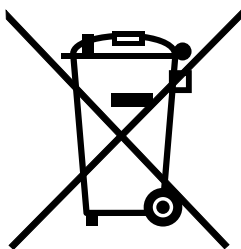


廢電池請回收

---

## Battery recycling information for the European Union

EU



**Notice:** This mark applies only to countries within the European Union (EU).

Batteries or packaging for batteries are labeled in accordance with European Directive 2006/66/EC concerning batteries and accumulators and waste batteries and accumulators. The Directive determines the framework for the return and recycling of used batteries and accumulators as applicable throughout the European Union. This label is applied to various batteries to indicate that the battery is not to be thrown away, but rather reclaimed upon end of life per this Directive.

In accordance with the European Directive 2006/66/EC, batteries and accumulators are labeled to indicate that they are to be collected separately and recycled at end of life. The label on the battery may also include a chemical symbol for the metal concerned in the battery (Pb for lead, Hg for mercury, and Cd for cadmium). Users of batteries and accumulators must not dispose of batteries and accumulators as unsorted municipal waste, but use the collection framework available to customers for the return, recycling, and treatment of batteries and accumulators. Customer participation is important to minimize any potential effects of batteries and accumulators on the environment and human health due to the potential presence of hazardous substances. For proper collection and treatment, go to:  
<http://www.lenovo.com/recycling>



## Appendix C. Restriction of Hazardous Substances Directive (RoHS)

### European Union RoHS

Lenovo products sold in the European Union, on or after 3 January 2013 meet the requirements of Directive 2011/65/EU on the restriction of the use of certain hazardous substances in electrical and electronic equipment (“RoHS recast” or “RoHS 2”).

For more information about Lenovo progress on RoHS, go to:  
[http://www.lenovo.com/social\\_responsibility/us/en/RoHS\\_Communication.pdf](http://www.lenovo.com/social_responsibility/us/en/RoHS_Communication.pdf)

### China RoHS

#### 产品中有害物质的名称及含量

部件名称	有害物质					
	铅(Pb)	汞(Hg)	镉(Cd)	六价铬(Cr(VI))	多溴连苯(PBB)	多溴二苯醚(PBDE)
印刷电路板组件*	X	O	O	O	O	O
硬盘	X	O	O	O	O	O
光驱	X	O	O	O	O	O
内存	X	O	O	O	O	O
电脑I/O 附件	X	O	O	O	O	O
电源	X	O	O	O	O	O
键盘	X	O	O	O	O	O
鼠标	X	O	O	O	O	O
机箱/ 附件	X	O	O	O	O	O

本表格依据 SJ/T 11364 的规定编制。  
O：表示该有害物质在该部件所有均质材料中的含量均在 GB/T 26572 规定的限量要求以下。  
X：表示该有害物质至少在该部件的某一均质材料中的含量超出 GB/T 26572 规定的限量要求。  
注：表中标记“X”的部件，皆因全球技术发展水平限制而无法实现有害物质的替代。  
印刷电路板组件\*：包括印刷电路板及其零部件、电容和连接器  
根据型号的不同，可能不会含有以上的所有部件，请以实际购买机型为准

 在中华人民共和国境内销售的电子信息产品必须标识此标志，标志内的数字代表在正常使用状态下的产品的环保使用期限

### Turkish RoHS

The Lenovo product meets the requirements of the Republic of Turkey Directive on the Restriction of the Use of Certain Hazardous Substances in Electrical and Electronic Equipment (EEE).

#### Türkiye EEE Yönetmeliğine Uygunluk Beyanı

Bu Lenovo ürünü, T.C. Çevre ve Orman Bakanlığı'nın “Elektrik ve Elektronik Eşyalarda Bazı Zararlı Maddelerin Kullanımının Sınırlandırılmasına Dair Yönetmelik (EEE)” direktiflerine uygundur.

EEE Yönetmeliğine Uygundur.

---

## **Ukraine RoHS**

Цим підтверджуємо, що продукція Леново відповідає вимогам нормативних актів України, які обмежують вміст небезпечних речовин

---

## **India RoHS**

RoHS compliant as per E-Waste (Management & Handling) Rules, 2011.



---

## Appendix D. ENERGY STAR model information



ENERGY STAR® is a joint program of the U.S. Environmental Protection Agency and the U.S. Department of Energy aimed at saving money and protecting the environment through energy efficient products and practices.

Lenovo is proud to offer our customers products with an ENERGY STAR compliant designation. Some models of the following machine types have been designed and tested to conform to the ENERGY STAR program requirement for computers at the time of manufacture: 30A6, 30A7, 30A8, and 30A9. For more information about ENERGY STAR ratings for Lenovo computers, go to <http://www.lenovo.com>.

By using ENERGY STAR compliant products and taking advantage of the power-management features of your computer, you reduce the consumption of electricity. Reduced electrical consumption contributes to potential financial savings, a cleaner environment, and the reduction of greenhouse gas emissions.

For more information about ENERGY STAR, go to:  
<http://www.energystar.gov>

Lenovo encourages you to make efficient use of energy an integral part of your day-to-day operations. To help in this endeavor, set the following power-management features to take effect when your computer has been inactive for a specified duration:

Table 5. ENERGY STAR power-management features

Windows 7 or Windows 8.1 operating system
Power plan: ThinkStation Default <ul style="list-style-type: none"><li>• Turn off the display: After 10 minutes</li><li>• Put the computer to sleep: After 25 minutes</li><li>• Advanced power settings:<ul style="list-style-type: none"><li>– Turn off hard disk drives: After 20 minutes</li><li>– Hibernate: Never</li></ul></li></ul>

To awaken your computer from a Sleep mode, press any key on your keyboard. For more information about these settings, refer to your Windows Help and Support information system.



---

## Appendix E. Notices

Lenovo may not offer the products, services, or features discussed in this document in all countries. Consult your local Lenovo representative for information on the products and services currently available in your area. Any reference to a Lenovo product, program, or service is not intended to state or imply that only that Lenovo product, program, or service may be used. Any functionally equivalent product, program, or service that does not infringe any Lenovo intellectual property right may be used instead. However, it is the user's responsibility to evaluate and verify the operation of any other product, program, or service.

Lenovo may have patents or pending patent applications covering subject matter described in this document. The furnishing of this document does not give you any license to these patents. You can send license inquiries, in writing, to:

*Lenovo (United States), Inc.  
1009 Think Place - Building One  
Morrisville, NC 27560  
U.S.A.  
Attention: Lenovo Director of Licensing*

LENOVO PROVIDES THIS PUBLICATION "AS IS" WITHOUT WARRANTY OF ANY KIND, EITHER EXPRESS OR IMPLIED, INCLUDING, BUT NOT LIMITED TO, THE IMPLIED WARRANTIES OF NON-INFRINGEMENT, MERCHANTABILITY OR FITNESS FOR A PARTICULAR PURPOSE. Some jurisdictions do not allow disclaimer of express or implied warranties in certain transactions, therefore, this statement may not apply to you.

This information could include technical inaccuracies or typographical errors. Changes are periodically made to the information herein; these changes will be incorporated in new editions of the publication. Lenovo may make improvements and/or changes in the product(s) and/or the program(s) described in this publication at any time without notice.

The products described in this document are not intended for use in implantation or other life support applications where malfunction may result in injury or death to persons. The information contained in this document does not affect or change Lenovo product specifications or warranties. Nothing in this document shall operate as an express or implied license or indemnity under the intellectual property rights of Lenovo or third parties. All information contained in this document was obtained in specific environments and is presented as an illustration. The result obtained in other operating environments may vary.

Lenovo may use or distribute any of the information you supply in any way it believes appropriate without incurring any obligation to you.

Any references in this publication to non-Lenovo Web sites are provided for convenience only and do not in any manner serve as an endorsement of those Web sites. The materials at those Web sites are not part of the materials for this Lenovo product, and use of those Web sites is at your own risk.

Any performance data contained herein was determined in a controlled environment. Therefore, the result obtained in other operating environments may vary significantly. Some measurements may have been made on development-level systems and there is no guarantee that these measurements will be the same on generally available systems. Furthermore, some measurements may have been estimated through extrapolation. Actual results may vary. Users of this document should verify the applicable data for their specific environment.

---

## Trademarks

The following terms are trademarks of Lenovo in the United States, other countries, or both:

- Lenovo
- The Lenovo logo
- The ThinkStation logo
- Rescue and Recovery
- ThinkStation
- ThinkVantage

Microsoft, Windows, and Windows Media are trademarks of the Microsoft group of companies.

Intel, Thunderbolt, and Xeon are trademarks of Intel Corporation in the U.S. and/or other countries.

Linux is a registered trademark of Linus Torvalds.

DisplayPort and Mini DisplayPort are Trademarks of the Video Electronics Standards Association.

Android is a trademark of Google Inc.

Other company, product, or service names may be trademarks or service marks of others.

---

# Index

2.5-inch, hard disk drive, solid-state drive, replacing 108  
2.5-inch, storage drive, replacing 96  
3.5-inch, hard disk drive, hybrid drive, replacing 88, 93  
3.5-inch, storage drive, replacing 87

## A

a rescue medium, creating and using 72  
Administrator, password 38  
Advance configuration 37  
audio features 12  
audio line-in connector 4  
audio line-out connector 4

## B

backup and recovery operations 70  
basic troubleshooting 55  
battery, replacing 128  
BIOS passwords, using 38  
BIOS settings, changing 42  
boot-block recovery 44

## C

cable lock, security 35  
changing  
    password 38  
    startup device sequence 40  
cleaning an optical mouse 53  
CMOS, clearing 39  
components, internal 6  
computer cover  
    removing 77  
computer cover, reinstalling 130  
connector 4  
connectors  
    rear 2  
connectors, controls, indicators  
    front 2  
considerations, passwords 38  
creating  
    and using a rescue medium 72  
creating and using  
    recovery media 69  
CRU  
    completing the installation 130  
customer support center 134

## D

deleting a password 38  
Description 4  
device drivers 132  
devices, handling static-sensitive 77

diagnostic program 65  
diagnostics program, using 134  
diagnostics, troubleshooting 55  
direct cooling air baffle, removing, installing 78  
DisplayPort connector 5  
documentation, using 134  
drivers, device 132  
drives  
    bays 10  
    specifications 10  
DVI monitor connector 5

## E

environment, operating 15  
Ethernet connector 5  
exiting, Setup Utility 41  
expansion 12  
external options, installing 77

## F

failure, recovering from BIOS 44  
features 11  
flex adapter 126  
    installing, replacing 126  
    slots 126  
front  
    connectors, controls, indicators 2  
front fan assembly, replacing 86  
full-length PCI card 117  
    installing, replacing 117  
    slots 117

## G

getting  
    help 133  
    information 133  
    service 133

## H

Hard disk, password 38  
hardware diagnostics 66  
heat sink and fan assembly, replacing 122  
help  
    and service 134  
    getting 133  
Help and Support 133

## I

important safety information v

- information
  - getting 133
  - important safety v
  - resources 133
  - safety 133
  - warranty 133
- Input/Output (I/O) features 12
- installing
  - operating system 42
  - storage drive 87
- installing options
  - flex adapter 126
  - full-length PCI card 117
  - memory module 124
  - PCI card 114
- installing, replacing, internal storage drive 87
- internal drives 12
- intrusion switch, cover presence switch, replacing 84

## K

- Kensington-style
  - cable lock 35
- keyboard connector 5
- keyboard, replacing 130

## L

- Lenovo Solution Center 66
- Lenovo ThinkVantage Tools 133
- locating components 6

## M

- media, creating and using recovery media 69
- memory 11
- memory module
  - installing, replacing 124
  - system board 124
- microphone connector 5
- Mini DisplayPort connector 5
- mouse connector 5
- mouse, replacing 130

## N

- notices 151

## O

- operations, backup and recovery 70
- optical drive bay 93, 108
- optical drive bracket, removing, installing 83
- optical drive, replacing 80
- optical mouse
  - cleaning 53

## P

- parts replacement, completing 130

- password
  - Administrator 38
  - considerations 38
  - Hard disk 38
  - Power-on password 38
  - setting, changing, deleting 38
- passwords
  - erasing 39
  - lost or forgotten 39
- PCI card 114
  - installing, replacing 114
  - slots 114
- physical specifications 15
- power
  - features 13
  - power supply assembly, replacing 113
  - power-on self-test (POST) 42
  - Power-on, password 38
  - programs, updating system 41
  - purchasing additional services 135

## R

- rear connectors 2
- rear fan assembly, replacing 120
- recovering
  - from a BIOS update failure 44
  - software 69
- recovery
  - boot-block 44
  - operations, backup and 70
  - problems, solving 74
- recovery media, creating and using 69
- removing computer cover 77
- replacing
  - battery 128
  - heat sink and fan assembly 122
  - storage drive 87–88, 93, 96, 108
- Rescue and Recovery 69
  - workspace, Rescue and Recovery 71
- Rescue and Recovery workspace 71
- resources, information 133

## S

- safety v
- safety information 133
- security
  - enabling or disabling 39
  - features 14
- selecting
  - startup device 40
  - temporary startup device 40
- serial connector 5
- service
  - and help 134
  - customer support center 134
  - getting 133
- services
  - other 135

- purchasing additional 135
- setting
  - password 38
- settings
  - changing 37
  - viewing 37
- Setup Utility 37
- Setup Utility program, starting 37
- Setup Utility, exiting 41
- software
  - recovering 69
- solving recovery problems 74
- starting the Setup Utility program 37
- startup device 40
  - sequence, changing 40
  - temporary, selecting 40
- static-sensitive devices, handling 77
- storage drive bay 88
- system
  - management 13
  - programs 42
- system board
  - connectors 7
  - locating parts 6
  - memory module 124

## T

- temporary startup device 40
- the BIOS 42
- the BIOS, updating 42–43
- trademarks 152
- troubleshooting, basic 55
- troubleshooting, diagnostics 55

## U

- updating
  - system programs 41
  - the BIOS 42
- updating the BIOS 43
- USB 2.0 connector 5
- USB 3.0 connector 5
- using
  - a rescue medium, creating and 72
  - BIOS passwords 38
  - diagnostic program 134
  - documentation 134
  - other services 135
  - Setup Utility 37

## V

- video features 12
- viewing and changing settings 37

## W

- warranty information 133
- workspace, backup and recovery 71







***lenovo***<sup>®</sup>