

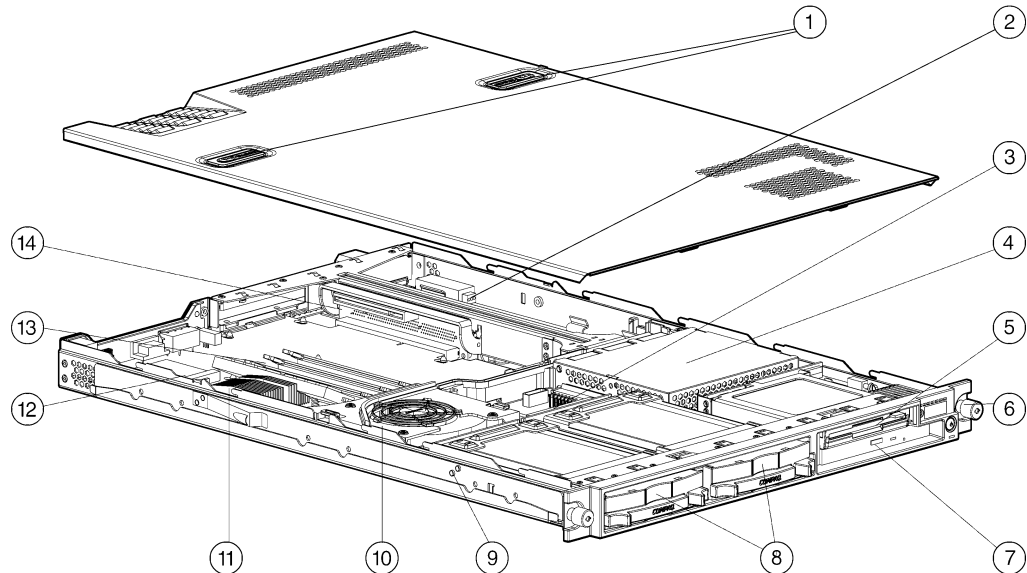
Overview

What's New

- New DC Power Supply for the DL360 (48 V)

At A Glance

- 1U Rack form factor (1.75")
- Intel® Pentium® III 1.26-GHz FC PGA2 Processor (dual capability)
- ServerWorks LE 3.0 Chipset with 133-MHz Front Side Bus
- PC133-MHz Registered ECC SDRAM memory
- Integrated Smart Array Controller
- Two full length expansion PCI slots: One 64-bit/33-MHz and one 32-bit/33-MHz
- 190-Watt Power Supply
- 512-KB level 2 ECC cache
- 128-MB PC133-MHz Registered ECC SDRAM memory, expandable to 4 GB
- Two Compaq NC3163 Fast Ethernet NIC Embedded 10/100 WOL (Wake On LAN)
- Wide Ultra2/Ultra3 SCSI Drive Cage standard supports up to two 1" Wide Ultra2/Ultra3 hot plug hard drives
- Internal hot plug capacity up to 145.6 GB (2 x 72.8 GB 1" HD)
- Exceptional serviceability with optional sliding rails, cable management and in-rack, tool-free service ability access
- Dual Peer PCI Bus Architecture for concurrent memory and processor access from PCI buses
- Integrated Remote Console (IRC), Automatic Server Recovery-2 (ASR-2), *Insight Manager™* and *SmartStart™*
- Protected by HP Services, including a three-year, next business day on-site limited global warranty and extended Pre-Failure Warranty which covers processors, memory, and hard drives — Certain restrictions and exclusions apply. Consult the Customer Support Center at 1-800-345-1518 for details.



1. Thumb Tabs
2. 64-Bit/33MHz PCI Slot (not shown)
3. SCSI Backplane
4. Power Supply
5. 1.44-MB Floppy Drive
6. LED Indicators
7. Low Profile, 24X IDE CD-ROM Drive
8. Wide Ultra2/Ultra3 Hot Plug Drive Bays (2x1")
9. Fixed Rails
10. Fan
11. Processor Slot 1 (populated)
12. Processor Slot 2 (unpopulated)
13. DIMM Memory Slots (4 total)
14. 32-Bit/33MHz PCI Slot

Standard Features

Processor	Intel Pentium III FC PGA2 processor 1.26 GHz (The system board for the 1.26-GHz model supports 1.13 GHz and 1.26 GHz)		
Cache Memory	512-KB second level ECC cache		
Upgradability	Upgradeable to dual processing		
Chipset	ServerWorks LE 3.0 Chipset with 133-MHz Front Side Bus Note: For more information regarding ServerWorks, please see the following URL: http://www.serverworks.com/products/overview.html .		
Memory	Standard	128 MB (PC133-MHz Registered ECC SDRAM memory)	
	Maximum	4 GB	
Network Controller	Two Compaq NC3163 Fast Ethernet NIC (embedded) PCI 10/100 WOL (Wake On LAN)		
Expansion Slots	I/O (2 Total)	PCI Voltage :	
	64-bit /33 MHz PCI	1	5 Volt or universal cards
	32-bit /33 MHz PCI	1	5 Volt or universal cards
Manageability	Remote Insight Lights-Out Edition Note: Optional.		
Storage Controller	Integrated Smart Array Controller Note: This controller is embedded on the system board. Note: The Integrated Smart Array Controller only supports internal drives. The Smart Array 4200/5300 may bypass the Integrated Smart Array Controller and support internal drives when configured with the ProLiant™ DL360 Internal Array Controller Cabling Option Kit (PN 174571-B21).		
Storage	Diskette Drives	1.44 MB	
	CD-ROM	24x IDE CD-ROM Drive (Low-profile)	
	Hard Drives	None	
	Maximum Internal Storage	145.6 GB (internal drive cage) (2 x 72.8-GB Wide Ultra3, 1" drives)	
Interfaces	Serial	1	
	Pointing Device (Mouse)	1	
	Graphics	1	
	Hot Plug Keyboard	1	
	External SCSI (for tape only)	1	
	Network RJ-45	2	
Graphics	Integrated ATI RAGE IIC Video Controller with 4-MB Video Memory		
Form Factor	Rack (1U), (1.75-in/4.45 cm)		
Product Demo	To view the Product Demo, please see the following URL, then click on "PRODUCT DEMO": http://www5.compaq.com/products/servers/proliantdl360/index2.html		

Standard Features

ProLiant Essentials Foundation Pack Software	Insight Manager 7	Insight Manager 7 helps maximize system uptime and performance and reduces the cost of maintaining the IT infrastructure by providing proactive notification of problems before those problems result in costly downtime and reduced productivity. Insight Manager 7 is easy to set up and provides rapid access to detailed fault and performance information gathered by the Management Agents. One-click access to the Integrated Lights-Out or Remote Insight Lights Out Edition board allows systems administrators to take full graphical control of ProLiant servers in remote locations or lights-out data centers. Finally, Insight Manager 7 in concert with the Version Control Agents and Version Control Repository Manager enables systems administrators to version manage and update system software across groups of ProLiant servers.
	SmartStart	SmartStart is a tool that simplifies server setup, providing a rapid way to deploy reliable and consistent server configurations. For more information, please visit the SmartStart website at http://www.compaq.com/smartstart . SmartStart version supported (minimum): SmartStart 4.90 (up to 1.0-GHz Models) SmartStart version supported (minimum): SmartStart 5.10 (1.13-GHz or greater Models)
	Management Agents	The Management Agents form the foundation for HP's Intelligent Manageability strategy. They provide direct, browser-based access to in-depth instrumentation built into HP servers, workstations, desktops, and portables, and send alerts to Insight Manager 7 and other enterprise management applications in case of subsystem or environmental failures. For additional information about the Management Agents and other management products from HP, please visit the management website at: http://www.compaq.com/manage
	ActiveUpdate™	ActiveUpdate is a web-based application that keeps IT managers directly connected to HP for proactive notification and delivery of the latest software updates.
	ROMPaq™, support software, and configuration utilities Survey Utility and diagnostics utilities Optional ProLiant Essentials Value Packs	The latest software, drivers, and firmware fully optimized and tested for your ProLiant server and options. The most advanced configuration analysis, reporting and troubleshooting utilities used by HP and at your fingertips. Optional software offerings that selectively extend the functionality of an Adaptive Infrastructure to address specific business problems and needs: <ul style="list-style-type: none"> • Rapid Deployment Pack – an automated solution for multi-server deployment and provisioning, enabling companies to quickly and easily adapt to changing business demands. • Workload Management Pack – provides easier management of complex environments, improving overall server utilization and enabling Windows® 2000 customers for the first time to confidently deploy multiple applications on a single multiprocessor ProLiant Server.
<p>Note: For more information regarding ProLiant Essentials Software, please see the following URL: http://www.compaq.com/proliantessentials.</p>		

Industry Standard Compliance	ACPI 1.0B Compliant
	PCI 2.2 Compliant
	PXE Support (supported with 9-1-2000 ROM or greater plus System Configuration Utility (2.54a or greater) from SmartStart 5.0.)
	WOL Support
	Microsoft® Logo certifications

Standard Features

Manageability	Automatic Server Recovery-2 (ASR-2) Remote Insight Lights-Out Edition (optional) Insight Manager 7 Management Agent Integrated Remote Console (IRC) Hardware Remote Console Full Remote Server Reboot Capability Reset and Failure Sequence Replay Host Hardware Independent Operating System Independent Communication is out-of-band Integrated Management Log Drive Parameter Tracking (with Smart Array Controllers) Dynamic Sector Repairing (with Smart Array Controllers) Off-Line Backup Processor capability Pre-Failure Warranty (covers processors, hard drives and memory)
Security	Power-on password Keyboard password Diskette drive control Diskette boot control QuickLock, Network Server Mode Removable CD/Floppy Drive Assembly Serial interface control Administrator's password Disk configuration lock
Server Power Cords	One Lowline power cord ships standard.
Power Supply	Dual Input Voltage, Auto-sensing 190-Watt, 292-Watt peak input, 3 integrated fans with failure sensors, CE Mark Compliant
System Fans	1 fan ships standard. 1 total supported internally.
Ultra Thin Rack Deployment Overview	For the Ultra Thin Rack Deployment Overview including best practices for the Compaq ProLiant DL360, please see the following URL: http://www.compaq.com/products/servers/proliantdl360/ .
Required Cabling	For required cabling information, refer to the website at http://www.compaq.com/products/servers/proliantdl360/ .
OS Support	Microsoft Windows NT® Server Microsoft Windows 2000 Novell® NetWare® 5.1 SCO® UnixWare® LINUX® (Red Hat®, S.U.S.E.®, TurboLinux™ Server, Caldera® eServer) Sun® Solaris™ Intel Platform Edition Note: For a more complete and up-to-date listing of supported OSs and versions, please visit our OS Support Matrix page at: ftp://ftp.compaq.com/pub/products/servers/os-support-matrix-310.pdf . Note: For a listing of the latest drivers available for the Compaq ProLiant DL360, please see: http://www.compaq.com/support/files/server/us/index.html

Standard Features

Rack Airflow Requirements

- Rack 9000 and 10000 series Cabinets
The increasing power of new high-performance processor technology requires increased cooling efficiency for rack-mounted servers. The Compaq 9000 Series Rack and 10000 Series Racks provides enhanced airflow for maximum cooling, allowing these racks to be fully loaded with servers using the latest processors.
- Rack 7000 series Cabinets
When installing a server with processors running at speeds of 550 MHz or greater in Compaq Rack 7000 series racks with glass doors (165753-001 (42U), and 163747-001 (22U)), the new processor technology requires the installation of High Airflow Rack Door Inserts (327281-B21 (42U), 327281-B22 (42U 6 pack), or 157847-B21 (22U)) to promote enhanced airflow for maximum cooling.

CAUTION: If a third-party rack is used, observe the following additional requirements to ensure adequate airflow and to prevent damage to the equipment:

- **Front and rear doors:** If your 42U server rack includes closing front and rear doors, you must allow 5,350 sq cm (830 square inches) of hole evenly distributed from top to bottom to permit adequate airflow (equivalent to the required 64 percent open area for ventilation).
- **Side:** The clearance between the installed rack component and the side panels of the rack must be a minimum of 7 cm (2.75 inches)

CAUTION: Always use blanking panels to fill all remaining empty front panel U-spaces in the rack. This arrangement ensures proper airflow. Using a rack without blanking panels results in improper cooling that can lead to thermal damage.

Note: For additional information, refer to the Setup and Installation Guide or the Documentation CD provided with the server, or to the server documentation located in the Support section at the following URL:

<http://www5.compaq.com/products/servers/proliantdl360/index2.html>.

Service and Support

HP Services provides a three-year, limited warranty, including Pre-Failure Warranty (coverage of hard drives, memory and processors) fully supported by a worldwide network of resellers and service providers. HP technical assistance is available 7 x 24, toll free in the United States and Canada. Telephone support services may be covered under warranty or available for an additional fee.

Note: Limited Warranty includes 3 year Parts, 3 year Labor, 3-year on-site support.

- Installation and start up
- Extended coverage hours and enhanced response times
- System management and performance services
- Availability and recovery services

Note: For more information, customer/resellers can contact <http://www.compaq.com/services>.

Please see the following URL regarding Warranty Information For Your Compaq Products:
http://www.compaq.com/support/warranty_upgrades/web_statements/176738.html.

For additional information regarding Worldwide Limited Warranty and Technical Support, please see the following URL: <ftp://ftp.compaq.com/pub/supportinformation/ejourney/176738.pdf>.

Note: Certain restrictions and exclusions apply. Consult the HP Customer Support Center at 1-800-345-1518 for details.

Models

DL360R01 P1266-512 KB, 128MB <i>236084-001</i>	Processor Cache Memory Memory Network Controller Storage Controller Hard Drives Internal Storage Optical Drive Form Factor	(1) Intel Pentium III FC PGA2 processor 1.26-GHz standard (up to 2 supported) 512-KB level 2 ECC cache 128 MB (Standard) to 4 GB (Maximum) PC133-MHz Registered ECC SDRAM Two Compaq NC3163 Fast Ethernet NIC (embedded) PCI 10/100 WOL Integrated Smart Array Controller None ship standard Up to 145.6-GB maximum (with optional hard drives) 24x IDE CD-ROM Drive (Low-profile) Rack (1U), (1.75-in/4.45 cm)
DL360R01 P1266-512 KB, 128 MB, 3-Pack <i>247273-001</i>	Processor Cache Memory Memory Network Controller Storage Controller Hard Drives Internal Storage Optical Drive Form Factor	(1) Intel Pentium III FC PGA2 processor 1.26-GHz standard (up to 2 supported) 512-KB level 2 ECC cache 128 MB (Standard) to 4 GB (Maximum) PC133-MHz Registered ECC SDRAM Two Compaq NC3163 Fast Ethernet NIC (embedded) PCI 10/100 WOL Integrated Smart Array Controller None ship standard Up to 145.6 GB maximum (with optional hard drives) 24x IDE CD-ROM Drive (Low-profile) Rack (1U), (1.75-in/4.45 cm)

Note: 3-Pack includes the following configuration for each DL360 server

Options

ProLiant DL360 Unique Options	Pentium III P1266-512KB Processor Option Kit Note: When upgrading 550 MHz, 800 MHz, 866 MHz, 933 MHz, 1.0 GHz Models to a 1.133 GHz or 1.266 GHz Model, the Compaq ProLiant DL360 P1133/P1266 Upgrade Kit (236122-B21) is required.	236121-B21
	Pentium III P1133-512KB Processor Option Kit Note: When upgrading 550 MHz, 800 MHz, 866 MHz, 933 MHz, 1.0 GHz Models to a 1.133 GHz Model, the Compaq ProLiant DL360 P1133 Upgrade Kit (236122-B21) is required.	232545-B21
	Pentium III P1000-256KB Processor Option Kit Note: When upgrading 550 MHz, 800 MHz, 866 MHz, 933 MHz Models to a 1.0 GHz Model, the Compaq ProLiant DL360 P1000 Upgrade Kit (225352-B21) is required.	210642-B21
	Desktop/Stackable Chassis Option	174573-B21
	Internal Array Controller Cabling Option Kit Note: Internal drive support with the purchase of the Smart Array 4200/5300 Controller.	174571-B21
	DC Power Supply for the DL360 (48 V) Note: The ProLiant DL360 ships with a 100-240VAC power supply.	251244-B21
ProLiant Essentials Value Pack Software	Rapid Deployment Pack, 1 User, V1.x Note: This license allows 1 server to be managed and deployed via the Deployment Server.	267196-B21
	Rapid Deployment Pack, 10 Users, V1.x Note: This license allows 10 servers to be managed and deployed via the Deployment Server.	269817-B21
	ProLiant Essentials Workload Management Pack (Featuring Resource Partitioning Manager version 2.0) Note: Flexible and volume quantity license kits are available for ProLiant Essentials Value Packs. Refer to http://www.compaq.com/proliantessentials or the various ProLiant Essentials Value Pack product QuickSpecs for more information. Note: For more information regarding ProLiant Essentials Software, please see the following URL: http://www.compaq.com/proliantessentials .	303284-B21
NetServer to ProLiant integrations services	HP NetServer to ProLiant integration and assessment service Note: HP identifies current levels of NetServer support, services, and management. This service helps maximize customer's ability to add ProLiant platforms into their current environment	304164-002
	HP TopTools to Insight Manager 7 installation and startup service Note: Provides on-site review, installation and configuration services for Insight Manager 7. HP will also re-create, as closely as possible, the views and reports from the customer's current TopTools configuration. This service assures a smooth transition to the ProLiant Essentials software.	304163-002
	HP NetServer to ProLiant Essentials Rapid Deployment Pack installation and startup service Note: Install and configure Rapid Deployment Pack in a test environment, then deploy a server image to a maximum of 250 systems in the production environment. This service helps to assure successful system deployment.	304162-002

Options

Processor	Pentium III P1266-512-KB Processor Option Kit	236121-B21
	Note: When upgrading 550 MHz, 800 MHz, 866 MHz, 933 MHz, 1.0 GHz Models to a 1.133 GHz or 1.266 GHz Model, the Compaq ProLiant DL360 P1133/P1266 Upgrade Kit (236122-B21) is required.	
	Pentium III P1133-512-KB Processor Option Kit	232545-B21
	Note: When upgrading 550 MHz, 800 MHz, 866 MHz, 933 MHz, 1.0 GHz Models to a 1.133 GHz Model, the Compaq ProLiant DL360 P1133 Upgrade Kit (236122-B21) is required.	
	Pentium III P1000-256KB Processor Option Kit	210642-B21
	Note: When upgrading 550 MHz, 800 MHz, 866 MHz, 933 MHz Models to a 1.0 GHz Model, the Compaq ProLiant DL360 P1000 Upgrade Kit (225352-B21) is required.	
Memory (DIMMs)	2048-MB PC133-MHz Registered ECC SDRAM DIMM Memory Option Kit (2 x 1024MB)	201695-B21
	1024-MB PC133-MHz Registered ECC SDRAM DIMM Memory Option Kit (1 x 1024MB)	128280-B21
	1024-MB PC133-MHz Registered ECC SDRAM DIMM Memory Option Kit (2 x 512 MB)	201694-B21
	512-MB PC133-MHz Registered ECC SDRAM DIMM Memory Option Kit (1 x 512 MB)	128279-B21
	512-MB PC133-MHz Registered ECC SDRAM DIMM Memory Option Kit (2 x 256 MB)	201693-B21
	256-MB PC133-MHz Registered ECC SDRAM DIMM Memory Option Kit (1 x 256 MB)	128278-B21
	256-MB PC133-MHz Registered ECC SDRAM DIMM Memory Option Kit (2 x 128 MB)	201692-B21
	128-MB PC133-MHz Registered ECC SDRAM DIMM Memory Option Kit (1 x 128 MB)	128277-B21
	64-MB PC133-MHz Registered ECC SDRAM DIMM Memory Option Kit (1 x 64 MB)	128276-B21
Internal Storage	DVD-ROM/Diskette Drive Assembly Option Kit	268494-B21
	CD-ROM/Diskette Drive Assembly Option Kit	212691-B21
Hard Drives	Wide Ultra3 SCSI – Universal Hot Plug	
	72.8-GB Wide Ultra3 SCSI 10,000 rpm Drive (1")	232432-B22
	36.4-GB Wide Ultra3 SCSI 10,000 rpm Drive (1")	176496-B22
	18.2-GB Wide Ultra3 SCSI 10,000 rpm Drive (1")	142673-B22
	36.4-GB Wide Ultra3 SCSI 15,000 rpm Drive (1")	232916-B22
	18.2-GB Wide Ultra3 SCSI 15,000 rpm Drive (1")	188122-B22
Storage Controllers	Smart Array 5302/128 Controller	283552-B21
	Note: Supports internal drives with purchase of Internal Array Controller Cabling Option Kit (174571-B21).	
	Smart Array 5304/256 Controller	283551-B21
	Note: Supports internal drives with purchase of Internal Array Controller Cabling Option Kit (174571-B21).	
	Ultra3 Channel Expansion Module for Smart Array 5300 Controller	153507-B21
	128-MB Cache Module for Smart Array 5302 Controller	153506-B21
	Advanced Data Guarding Module for Smart Array 5302 Controller	199371-B21
	RAID ADG Upgrade for Smart Array 5302	288601-B21
	256-MB Battery-Backed Cache Module	254786-B21
	Note: This 256-MB Battery-Backed Cache Module supports the Smart Array 5300 series controllers, MSA 1000 and the Smart Array Cluster Storage.	
	Internal Array Controller Cabling Option Kit	174571-B21
Note: Internal drive support with the purchase of the Smart Array 4200/5300 Controller.		
64-bit/66-MHz Single Channel Wide Ultra3 SCSI Adapter	154457-B21	
Note: For support of external drives. Note: This adapter will run at 33-MHz speeds due to the 33-MHz PCI Bus.		
64-bit/66-MHz Dual Channel Wide Ultra3 SCSI Adapter	129803-B21	
Note: For support of external drives. Note: This adapter will run at 33-MHz speeds due to the 33-MHz PCI Bus.		

Options

Communications	Compaq NC3123 Fast Ethernet NIC PCI 10/100 WOL	174830-B21
	Compaq NC3134 Fast Ethernet NIC 64 PCI Dual Port 10/100	138603-B21
	Compaq NC3135 Fast Ethernet Module Dual 10/100 Upgrade Module for NC3134 and NC3131	138604-B21
	Compaq NC6132 Gigabit Module 1000 SX Upgrade Module for NC3134 and NC3131	338456-B23
	Compaq NC6133 Gigabit Module 1000LX Upgrade Module for NC3134 and NC3131	338456-B24
	Compaq NC3133 Fast Ethernet Module 100FX Upgrade Module for NC3134 and NC3131	338456-B25
	Compaq NC6136 Gigabit Server Adapter, 64-bit/66MHz, PCI, 1000 SX	203539-B21
	Compaq NC7131 Gigabit Server Adapter, 64-bit/66MHz, PCI, 10/100/1000-T	158575-B21
	Note: Any NC31XX NC61XX or NC71XX NIC can be used for redundancy with the embedded NC3163 Network Controller.	
DC Power Supply	DC Power Supply for the DL360 (48 V)	251244-B21
	Note: The ProLiant DL360 ships with a 100-240 VAC power supply.	
Management Options	Remote Insight Lights-Out Edition II	227251-001
	Compaq Remote Insight Lights-Out Edition	157866-001
Security	HP/Atalla AXL600L SSL Accelerator Card for ProLiant Servers	524545-B21
	Compaq AXL300 Accelerator PCI Card for ProLiant Servers	227933-B21
Monitors	Flat Panel TFT8030 18" Color Monitor Two-Tone (Carbon/Silver)	234362-001
	Flat Panel TFT1825 18" Color Monitor Two-Tone (Carbon/Silver)	296751-001
	Flat Panel TFT7020 17" Color Monitor Two-Tone (Carbon/Silver)	253216-001
	Flat Panel TFT1720 17" Color Monitor Two-Tone (Carbon/Silver)	295926-001
	Flat Panel TFT1520 15" Color Monitor Two-Tone (Carbon/Silver)	295925-001
	Flat Panel TFT2025 20" Color Monitor Two-Tone (Carbon/Silver)	285550-001
	TFT5110R Flat Panel Monitor (Carbon)	281683-B21
	TFT5010R Flat Panel Monitor	217248-001
Tape Drives	External AIT Tape Drives	
	HP StorageWorks External AIT 35-GB, LVD Tape Drive (Carbon)	216885-001
	Note: Please see the AIT 35-GB, LVD Tape Drive QuickSpecs for additional options such as adapters, controllers, and cassettes, and for an up-to-date listing of the latest O/S Support details, please see the following: http://www5.compaq.com/products/quickspecs/10712_na/10712_na.HTML	
	HP StorageWorks AIT 50-GB Tape Drive, External (Carbon)	157767-002
	Note: Please see the AIT 50-GB Tape Drive QuickSpecs for additional options such as adapters, controllers, and cassettes, and for an up-to-date listing of the latest O/S Support details, please see the following: http://www5.compaq.com/products/quickspecs/10425_na/10425_na.HTML	
	HP StorageWorks External AIT 100-GB Tape Drive (Carbon)	249160-001
	Note: Please see the AIT 100-GB Tape Drive QuickSpecs for additional options such as adapters, controllers, and cassettes, and for an up-to-date listing of the latest O/S Support details, please see the following: http://www5.compaq.com/products/quickspecs/11062_na/11062_na.HTML	
	External DLT/SDLT Tape Drives	
	HP StorageWorks 40/80-GB DLT Tape Drive, External (Carbon)	146197-B22
	HP StorageWorks Rackmount DLT 40/80, 3U (Single Drive)	274332-B21
	HP StorageWorks Rackmount DLT 40/80, Dual Drive 3U (Two Drives)	274335-B21
	HP StorageWorks Rackmount DLT 40/80, Tape Array III, 5U (Four Drives)	274337-B21
	Note: Please see the 40/80-GB DLT Drive QuickSpecs for additional options such as host bus adapters, controllers, cassettes, and for an up-to-date listing of the latest O/S Support details, please see the following: http://www5.compaq.com/products/quickspecs/10658_na/10658_na.HTML	

Options

Tape Drives (continued)	
Internal and External DLT VS Tape Drives	
HP StorageWorks DLT VS 40/80 Tape Drive, Internal (Carbon)	280129-B21
HP StorageWorks DLT VS 40/80 Tape Drive, External (Carbon)	280129-B22
Note: Please see the DLT VS 40/80 Tape Drive QuickSpecs for additional options such as host bus adapters, controllers, cassettes, and for an up-to-date listing of the latest O/S Support details, please see the following: http://www5.compaq.com/products/quickspecs/11403_na/11403_na.HTML	
HP StorageWorks SDLT 160/320, External (carbon)	257319-001
Note: Please see the SDLT 160/320-GB Tape Drive QuickSpecs for additional options such as adapters, controllers, and media, and for an up-to-date listing of the latest O/S Support details, please see the following: http://www5.compaq.com/products/quickspecs/11406_na/11406_na.HTML	
Rackmount SDLT 110/220, 3U (Single Drive)	274331-B21
Rackmount SDLT 110/220, Dual-Drive, 3U (Two Drives)	274334-B21
Rackmount SDLT 110/220, Tape Array III, 5U (Four Drives)	274336-B21
Note: Please see the SDLT 110/220-GB Tape Drive QuickSpecs for additional options such as adapters, controllers, and media, and for an up-to-date listing of the latest O/S Support details, please see the following: http://www5.compaq.com/products/quickspecs/10772_na/10772_na.HTML	
External SuperLoader	
DLT1 1280 SuperLoader	268664-B21
Note: Please see the StorageWorks DLT1 1280 SuperLoader by Compaq QuickSpecs for additional options and for an up-to-date listing of the latest O/S Support details, please see the following: http://www5.compaq.com/products/quickspecs/11330_na/11330_na.HTML	
External Ultrium 230 Tape Drive for ProLiant	
HP StorageWorks Ultrium 230 Tape Drive for ProLiant, External (Carbon)	Q1516A
Note: Please see the HP StorageWorks Ultrium 230 Tape Drive for ProLiant QuickSpecs for additional options such as controllers, and other related items, and for an up-to-date listing of the latest O/S Support details, please see the following: http://www5.compaq.com/products/quickspecs/11415_na/11415_na.HTML	
External AIT Autoloader	
HP StorageWorks AIT 35 GB Autoloader, Rackmount (Carbon)	280349-001
Note: Please see the AIT 35-GB Autoloader QuickSpecs for additional options such as adapters, controllers, and cassettes, and for an up-to-date listing of the latest O/S Support details, please see the following: http://www5.compaq.com/products/quickspecs/11404_na/11404_na.HTML	
Rackmount Tape Drive Kits	
3U Rackmount Kit	274338-B21
Note: The 3U Rackmount Kit (PN 274338-B21) can support up to (2) full-height or (4) half-height tape drives and compatible with multiple Single-Ended and LVD SCSI Tape Drives including the 12/24-GB DAT, 20/40-GB DAT, 20/40-GB DAT DDS-4 8 Cassette Autoloader, AIT 35-GB LVD, AIT 50 GB, 20/40-GB DLT, 40/80-GB DLT, and the SDLT 110/220-GB Tape Drives.	
5U Rackmount Kit	274339-B21
Note: The 5U Rackmount Kit (PN 274339-B21) can support up to (4) full-height tape drives and is compatible with all Compaq DLT/SDLT tape drives including the 20/40-GB DLT, 35/70-GB DLT, 40/80-GB DLT, and the SDLT 110/220-GB tape drives.	
Note: Please see the Rackmount Tape Drive Kits QuickSpecs for additional information regarding these kits, please see the following: http://www5.compaq.com/products/quickspecs/10854_na/10854_na.HTML	

Options

Tape Drives <i>(continued)</i>	Rackmount Tape Drive Cable Kits	
	LVD Cable Kit, VHDCI/HD68 Note: For use with the 3U RM Storage Enclosure and DLT Tape Array III only.	168048-B21
	LVD Cable Kit, HD68/HD68 Note: For use with the 3U RM Storage Enclosure and DLT Tape Array III only.	242381-B21
Tape Automation	Entry Level Tape Libraries	
	SSL2020 Automated AIT Library	
	SSL2020 AIT Mini-Library 1 drive, 20 slot Rackmount	175196-B21
	SSL2020 AIT Mini-Library 2 drive, 20 slot Rackmount	175196-B22
	SSL2020 AIT Library Pass Thru with Transport	175312-B21
	SSL2020 AIT Library Pass Thru Extender	175312-B22
	AIT 50-GB Drive Add-On LVD Drive for SSL2020 AIT Library	175197-B21
	Required Adapters/Controllers for SSL2020 AIT Library	
	64-Bit/66-Mhz Dual Channel Wide Ultra3 SCSI Adapter	129803-B21
	SAN Access Module for Smart Array 5302 Controller	216687-B21
	Note: Please see the SSL2020 Automated AIT Tape Library Solution QuickSpecs for additional information including Upgrade Kits, Accessories, and SCSI Cable Kits and additional options needed for a complete solution at: http://www5.compaq.com/products/quickspecs/10580_na/10580_na.HTML	
	MSL5000 Libraries	
	Mainstream Tape Library	
	MSL5026DLX DLT Library	
	MSL5026DLX, 1 40/80-GB DLT, LVD Rackmount	231891-B21
	MSL5026DLX, 2 40/80-GB DLT, LVD Rackmount	231891-B22
	MSL5026SL SDLT Library	
	MSL5026SL Library, SDLT 110/220, 1 Drive, LVD, Rackmount	231892-B21
	MSL5026SL Library, SDLT 110/220, 2 Drives, LVD, Rackmount	231892-B22
	MSL5K Field Upgrade SDLT 110/220 Drive, LVD	231823-B22
	Note: Please see the <i>StorageWorks</i> MSL5026DLX or MSL5026SL Library QuickSpecs for additional information including Upgrade Kits, Accessories, and SCSI Cable Kits and additional options needed for a complete solution at: http://www5.compaq.com/products/quickspecs/10860_na/10860_na.HTML	
	MSL5026SL, Rackmount, 1 SDLT Drive (Graphite)	302512-B21
	MSL5026SL, Rackmount, 2 SDLT Drive (Graphite)	302512-B22
Note: Please see the <i>StorageWorks</i> MSL5026SL Library QuickSpecs for additional information including Upgrade Kits, Accessories, and SCSI Cable Kits and additional options needed for a complete solution at: http://www5.compaq.com/products/quickspecs/11440_na/11440_na.HTML		
MSL5026S2 SDLT Library		
MSL5026S2, Rackmount, 0 Drive Library	293472-B21	
MSL5026S2, Rackmount, 1 Drive, SDLT2 Library	293472-B22	
MSL5026S2, Rackmount, 2 Drives, SDLT2 Library	293472-B23	
MSL5026S2FC, Rackmount, 1 Drive, SDLT2 Library	293472-B24	
MSL5026S2FC, Rackmount, 2 Drives, SDLT2 Library	293472-B25	
Note: Please see the <i>StorageWorks</i> MSL5026S2 Library QuickSpecs for additional information including Upgrade Kits, Accessories, and SCSI Cable Kits and additional options needed for a complete solution at: http://www5.compaq.com/products/quickspecs/11453_na/11453_na.HTML		

Options

Tape Automation (continued)

Departmental Tape Library

MSL5052SL SDLT Library

MSL5052, Rackmount, 0 Drive, SDLT ALL	255102-B21
MSL50502SL, SDLT, 110/220, 2 Drives, LVD, Rackmount	249491-B21
MSL5K Field Upgrade SDLT 110/220 Drive, LVD	231823-B22

Note: Please see the *StorageWorks* MSL5052SL Library QuickSpecs for additional information including Upgrade Kits, Accessories, and SCSI Cable Kits and additional options needed for a complete solution at: http://www5.compaq.com/products/quickspecs/11061_na/11061_na.HTML

Note: Please see the *StorageWorks* MSL5052SL Library QuickSpecs for additional information including Upgrade Kits, Accessories, and SCSI Cable Kits and additional options needed for a complete solution at: http://www5.compaq.com/products/quickspecs/11061_na/11061_na.HTML

MSL5052S2 SDLT Library

MSL5052S2, Rackmount, 2 Drives, SDLT2 Library	293474-B21
MSL5052S2FC, Rackmount, 2 Drives, SDLT2 Library	293474-B24

Note: Please see the *StorageWorks* MSL5052S2 Library QuickSpecs for additional information including Upgrade Kits, Accessories, and SCSI Cable Kits and additional options needed for a complete solution at: http://www5.compaq.com/products/quickspecs/11442_na/11442_na.HTML

MSL5030 LTO Library

MSL5030L1, Rackmount, 0 Drive Library	301897-B21
MSL5030L1, Rackmount, 1 Drive, LTO1 Library	301897-B22
MSL5030L1, Rackmount, 2 Drives, LTO1 Library	301897-B23
MSL5030L1FC, Rackmount, 1 Drive, LTO1 Library	301897-B24
MSL5030L1FC, Rackmount, 2 Drives, LTO1 Library	301897-B25
MSL5000 LTO1 Upgrade Drive	301901-B21
MSL5000 Dual Magazine LTO	301902-B21

Note: Please see the *StorageWorks* MSL5030 LTO Library QuickSpecs for additional information including Upgrade Kits, Accessories, and SCSI Cable Kits and additional options needed for a complete solution at: http://www5.compaq.com/products/quickspecs/11439_na/11439_na.HTML

MSL5060 LTO Library

MSL5060L1, Rackmount, 0 Drive Library	301899-B21
MSL5060L1, Rackmount, 2 Drives, LTO1 Library	301899-B22
MSL5060L1FC, Rackmount, 2 Drives, LTO1 Library	301899-B23
MSL5000 LTO1 Upgrade Drive	301901-B21
MSL5000 Dual Magazine LTO	301902-B21

Note: Please see the *StorageWorks* MSL5060 LTO Library QuickSpecs for additional information including Upgrade Kits, Accessories, and SCSI Cable Kits and additional options needed for a complete solution at: http://www5.compaq.com/products/quickspecs/11438_na/11438_na.HTML

MSL5000 series Libraries Options

MSL5K Field Upgrade SDLT 110/220 Drive, LVD	231823-B22
MSL5000 SDLT2 Upgrade Drive	293475-B21
MSL5K Field Upgrade SDLT 110/220 Drive, LVD	231823-B22
MSL5000 Dual Magazine DLT	232136-B21

Required Adapters for MSL5000 series Libraries

64-Bit/66-Mhz Dual Channel Wide Ultra3 SCSI Adapter	129803-B21
---	------------

Options

External Storage - Rack	<i>StorageWorks</i> Enclosure Model 4314R (rack-mountable) by Compaq	190209-001
	<i>StorageWorks</i> Enclosure Model 4354R (rack-mountable)	190211-001
	<i>Note: The <i>StorageWorks</i> Enclosure 4300 Family support the Wide Ultra2/Ultra3 1" Hot Plug Hard Drives.</i>	
	<i>StorageWorks</i> Enclosure 4200 Redundant Power Supply Option	119826-B21
	<i>StorageWorks</i> Enclosure 4200 Ultra3 Single Bus I/O Module Option	190212-B21
	<i>StorageWorks</i> Enclosure 4200 Ultra3 Dual Bus I/O Module Option	190213-B21
	<i>StorageWorks</i> Enclosure 4200 Tower to Rack Conversion Kit	150213-B21
MSA1000	MSA 1000	201723-B21
	MSA 1000 Controller	218231-B21
	MSA Fibre Channel I/O Module	218960-B21
	MSA1000 Fabric Switch	218232-B21
	MSA 1000 Fibre Channel Adapter (FCA) 2101	245299-B21
	<i>Note: Please see the <i>StorageWorks</i> by Compaq Modular SAN Array 1000 QuickSpecs for additional options and configuration information at:</i>	
	http://www5.compaq.com/products/quickspecs/11033_na/11033_na.HTML	
<i>StorageWorks</i> RAID Array 4100	<i>StorageWorks</i> Raid Array 4100 (rack)	146013-001
	Fibre Channel Storage Hub 7	234453-001
	Compaq Storage Hub 7 Universal Rack Mount Kit	136127-B21
	<i>StorageWorks</i> Fibre Channel Arbitrated Loop Switch 8	177862-B21
	<i>StorageWorks</i> Fibre Channel Arbitrated Loop 3-Port Expansion Module	177863-B21
	<i>StorageWorks</i> Fibre Channel SAN Switch 8-EL	176219-B21
	GBIC-SW Connector Kit (two each)	234459-B21
	GBIC-LW Connector Kit (two each)	304412-B21
	Fibre Channel Connection Kit, 3 SW GBICS, 2 Cables	380579-B21
	Fibre Channel Connection Kit, 2 SW GBICS, 2 Cables	380596-B21
	Fibre Channel Short Wave GBIC	380561-B21
	Fibre Channel Long Wave GBIC	127508-B21
	2m Multi-Mode Fibre Channel Cable	234457-B21
	5m Multi-Mode Fibre Channel Cable	234457-B22
	15m Multi-Mode Fibre Channel Cable	234457-B23
	30m Multi-Mode Fibre Channel Cable	234457-B24
	50m Multi-Mode Fibre Channel Cable	234457-B25
<i>Note: Please see the <i>StorageWorks</i> RAID Array 4100 QuickSpecs for FC Hub, FC switches, software support, host adapters/controllers, disks, and options for complete solutions at:</i>		
http://www5.compaq.com/products/quickspecs/10435_na/10435_na.html		
<i>StorageWorks</i> Modular Array 8000/Enterprise Modular Array 12000	EMA12000 D14 60 Hz	175990-B21
	EMA12000 S14 60 Hz	175991-B21
	MA8000 60 Hz	175992-B21
	EMA12000 Blue 60 Hz	175993-B21
	<i>Note: Options include controller, solution kits, ACS. MA8000/EMA12000 includes controller shelf, drive shelves and cabinet. Packaging upgrade to RA8000/ESA12000.</i>	
<i>Note: Please see the <i>StorageWorks</i> MA8000/EMA12000 QuickSpecs for FC Hub, FC switches, platform software, host adapters, disks and options for complete solutions at:</i>		
http://www5.compaq.com/products/quickspecs/10545_na/10545_na.HTML		

Options

StorageWorks Enterprise Modular Array 16000 FC	EMA16000 D14 60 Hz (opal)	238792-B21
	EMA16000 S14 60 Hz (opal)	238791-B21
<p>Note: Models include: Dual HSG80 controllers in each Model 2200 enclosure (2 pairs per single bus configuration, 4 pairs per dual bus configuration) with 1GB cache per controller pair, and 12 14-bay drive enclosures with redundant power supplies. Configure-to-Order (CTO) builds are available. Options include ACS, platform kits and SANworks™ software by Compaq.</p> <p>Note: Please see the <i>StorageWorks</i> EMA16000 QuickSpecs for FC switches, platform software, host adapters, disks and options for complete solutions at: http://www5.compaq.com/products/quickspecs/10812_na/10812_na.HTML</p>		
StorageWorks Options	Fibre Channel SAN Switch/8 with Fabric Operating Software	158222-B21
	<i>StorageWorks</i> Fibre Channel SAN Switches 8-EL	176219-B21
	<i>StorageWorks</i> SAN Switch 2/8-EL	258707-B21
	<i>StorageWorks</i> SAN Switch 2/8-EL Upgrade	288162-B21
	<i>StorageWorks</i> SAN Switch 2/16-EL	283056-B21
	<i>StorageWorks</i> SAN Switch 2/16-EL Upgrade	288250-B21
Compaq UPS Power Cord Reference Guide	<p><i>Please see the Compaq UPS Power Cord Reference Guide for that lists cable descriptions, requirements, and specifications for Compaq UPS units.</i> ftp://ftp.compaq.com/pub/products/servers/proliantstorage/power-protection/powercordmatrix.pdf</p>	
Uninterruptible Power Systems	Compaq UPS R1500 XR (1440VA, 1340 Watt), Low Voltage	204404-001
	Compaq UPS R3000 XR (2880VA, 2700 Watt), Low Voltage	192186-001
	Compaq UPS R3000 XR (3000VA, 2700 Watt), High Voltage	192186-002
	Rack-Mountable UPS R6000 (6000VA, 6000 Watt) High Voltage	347207-001
	Note: The UPS R6000 has a hardwired input.	
	UPS R12000 XR N+x (200-240V) (hardwired)	207552-B22
<p>Note: The UPS R12000 XR has a hardwired input and output.</p>		
UPS Options	SNMP Serial Port Card	192189-B21
	Note: Supports tower and rack UPS XR models ranging from 1000 – 3000VA.	
	Six Port Card	192185-B21
	Note: Supports tower and rack UPS XR models ranging from 1000 – 3000VA.	
	High to Low Voltage Transformer (250VA)	388643-B21
	Note: Supports R6000 UPS series only. 2.5 amps @ 125 Volts max output across two NEMA 5-15.	
	Extended Runtime Module, R1500 XR	218971-B21
	Note: 2U each, two ERM maximum.	
	Extended Runtime Module, R3000 XR	192188-B21
	Note: 2U each, one ERM maximum.	
	Extended Runtime Module, R6000	347224-B21
	Note: 3U each, two ERM maximum.	
	Extended Runtime Module, R12000 XR, 4U	217800-B21
	SNMP-EN Adapter	347225-B21
Note: Supports R6000 UPS series only.		
Multi-Server UPS Card	123508-B21	
Note: Supports R6000 UPS series only.		
Scalable UPS Card	123509-B21	
Note: Supports R6000 UPS series only.		

Options

Rack-Mountable PDUs – 1U/0U (up to 12 outlets) Note: 0U mounting brackets shipped with the unit (separate option kit for 1U mounting).	Compaq Power Distribution Unit-16A (200 to 240V)	207590-B21
	Note: The 16A PDU also connects to the high volt models of the UPS R3000 XR (need cable PN 340653-001) and the UPS R6000 models. Cable PN 340653-001 required if connecting to UPS R3000 XR (192186-002 -High Volt model only).	
	Compaq Power Distribution Unit-24A (200 to 240V)	207590-D72
	Note: This PDU may also be used to connect to the low volt UPS R3000 XR model.	
	Compaq Power Distribution Unit-40A (200 to 240V)	207590-B23
Dual Input PDUs – 1U/0U (up to 12 outlets) Note: 1U/0U mounting brackets shipped with the unit (optimized for 10000 and 9000 series racks).	Compaq Power Distribution Unit-24A (100 to 127V)	207590-D71
	1U PDU Mounting Brackets	215852-B21
	Note: The 1U PDU Mounting Brackets are required when mounting PDU's PN 207590- series in 1U configurations.	
	Note: Please see the following Power Distribution Unit (Zero-U/1U PDU) QuickSpecs for additional options including cables: http://www5.compaq.com/products/quickspecs/10838_na/10838_na.HTML	
	Note: Please see the following Power Distribution Unit (Zero-U/1U PDU) QuickSpecs for additional options including cables: http://www5.compaq.com/products/quickspecs/10838_na/10838_na.HTML	
Modular PDUs – 1U/0U (up to 32 outlets) Note: 1U/0U mounting brackets shipped with the unit (optimized for 10000 and 9000 series racks).	Compaq Dual Input Power Distribution Unit-24A High Voltage	191186-001
	Note: Please see the following Power Distribution Unit (Zero-U/1U PDU) QuickSpecs for additional options including cables: http://www5.compaq.com/products/quickspecs/10838_na/10838_na.HTML	
	Modular Power Distribution Units (mPDU), Low Volt Model, 24A (100-127 VAC)	252663-D71
	Note: This mPDU (252663-D71) may also be used to connect the low volt model of the UPS R3000 XR.	
	Modular Power Distribution Units (mPDU), High Volt Model, 24A (200-240 VAC)	252663-D72
Rack Builder	Modular Power Distribution Units (mPDU), High Volt Model, 40A (200-240 VAC)	252663-B21
	Note: This mPDU (252663-B21), 40A model has a hardwired input.	
	Note: Please see the following Modular Power Distribution Unit (Zero-U/1U Modular PDUs) QuickSpecs for additional options including cables: http://www5.compaq.com/products/quickspecs/11041_na/11041_na.HTML	
	<i>Please see the Compaq Rack Builder for configuration assistance at http://www.compaq.com/rackbuilder/</i>	
	<i>Please see the Compaq Rack Builder for configuration assistance at http://www.compaq.com/rackbuilder/</i>	
ProLiant DL360 Deployment Options	Desktop/Stackable Chassis Option	174573-B21
	Third Party Cabinet Rack Option	174574-B21
	Sliding Rails and Cable Management Solution Option	174575-B21
	Telco Rack Option	174576-B21
Compaq Rack 10000 Series (Graphite Metallic)	Compaq Rack 10842 (42U, 800-mm wide) – Pallet	257415-B21
	Compaq Rack 10647 (47U) – Pallet	245160-B21
	Compaq Rack 10647 (47U) – Crated	245160-B23
	Compaq Rack 10642 (42U) – Pallet	245161-B21
	Compaq Rack 10642 (42U) – Shock Pallet	245161-B22
	Compaq Rack 10642 (42U) – Crated	245161-B23
	Compaq Rack 10636 (36U) – Pallet	245162-B21
	Compaq Rack 10636 (36U) – Shock Pallet	245162-B22
	Compaq Rack 10636 (36U) – Crate	245162-B23
	Compaq Rack 10622 (22U) – Pallet	245163-B21
	Compaq Rack 10622 (22U) – Shock Pallet	245163-B22
	Compaq Rack 10622 (22U) – Crated	245163-B23
	Note: -B21 (pallet) used to ship empty racks shipped on a truck -B22 (shock pallet) used to ship racks with equipment installed (by custom systems, VARs and Channels) -B23 (crated) used for air shipments of empty racks	
	Note: It is mandatory to use a shock pallet in order to ship racks with equipment installed. Not all Compaq equipment is qualified to be shipped in the Rack 10000 series.	

Options

Compaq Rack 9000 Series (Opal)	Compaq Rack 9142 (42U) – Pallet	120663-B21	
	Compaq Rack 9142 (42U) – Shock Pallet	120663-B22	
	Compaq Rack 9142 (42U) – Crated	120663-B23	
	Compaq Rack 9136 (36U) – Pallet	120664-B21	
	Compaq Rack 9136 (36U) – Shock Pallet	120664-B22	
	Compaq Rack 9136 (36U) – Crated	120664-B23	
	Compaq Rack 9122 (22U) – Pallet	120665-B21	
	Compaq Rack 9122 (22U) – Shock Pallet	120665-B22	
	Compaq Rack 9122 (22U) – Crated	120665-B23	
	Compaq Rack 9842 (800-mm wide, 42U) – Pallet	222192-B21	
	Note: -B21 (pallet) used to ship empty racks shipped on a truck -B22 (shock pallet) used to ship racks with equipment installed (by custom systems, VARs and Channels) -B23 (crated) used for air shipments of empty racks **Not all Compaq equipment is qualified to be shipped in the Rack 9000 Series.		

Rack Options for Compaq Rack 10000 Series	Rack Blanking Panels – Graphite (Multi)	253214-B26
	Note: Contains one each of 1U, 2U, 3U, and 4U panel.	
	Rack Blanking Panels – Graphite (1U)	253214-B21
	Note: The Rack Blanking Panels (PN 253214-B21) contains 10 each of (1U).	
	Rack Blanking Panels – Graphite (2U)	253214-B22
	Note: The Rack Blanking Panels (PN 253214-B22) contains 10 each of (2U).	
	Rack Blanking Panels – Graphite (3U)	253214-B23
	Note: The Rack Blanking Panels (PN 253214-B23) contains 10 each of (3U).	
	Rack Blanking Panels – Graphite (4U)	253214-B24
	Note: The Rack Blanking Panels (PN 253214-B24) contains 10 each of (4U).	
	Rack Blanking Panels – Graphite (5U)	253214-B25
	Note: The Rack Blanking Panels (PN 253214-B25) contains 10 each of (5U).	
	600-mm Stabilizer Kit – Graphite	246107-B21
	800-mm Wide Stabilizer Kit (Graphite)	255488-B21
	Note: Supported by the Rack 10842 cabinet only.	
	Baying Kit for Rack 10000 series (Carbon)	248929-B21
	42U Side Panel – Graphite Metallic	246099-B21
	110 V Fan Kit (Graphite)	257413-B21
	Note: Roof Mount Includes power cord with IEC320-C13 to Nema 5-15P.	
220 V Fan Kit (Graphite)	257414-B21	
Note: Roof Mount Includes power cord with IEC320-C13 to Nema 6-15P.		
36U Side Panel – Graphite Metallic	246102-B21	
47U Side Panel – Graphite Metallic	255486-B21	
9000/10000 Series Offset Baying Kit (42U)	248931-B21	
Note: This kit can be used to connect 9000 and 10000 series racks of the same U height together. Kit contents include hardware for connecting racks and a panel to cover the 100-mm gap at the rear of the two racks.		

Options

Rack Options for Compaq Rack 9000 Series	Baying/Coupling Kit	120669-B21
	42U Side Panel	120670-B21
	Note: The 42U Side Panel (PN 120670-B21) supports the Compaq Rack 9142 and Compaq Rack 9842.	
	36U Side Panel	120671-B21
	Note: The 36U Side Panel (PN 120671-B21) supports the Compaq Rack 9136.	
	800-mm Stabilizer Option Kit (Opal)	234493-B21
	Note: The 800mm Stabilizer Kit (PN 234493-B21) supports the Rack 9842 only	
	600-mm Stabilizer Option Kit	120673-B21
	9142 Extension Kit	120679-B21
	Note: The 9142 Extension Kit (PN 120679-B21) supports the Compaq Rack 9142 only.	
	9142 Split Rear Door	254045-B21
	Note: The 9142 Split Rear Door (PN 254045-B21) supports the 600 mm wide, 42U 9000 series rack.	
	9136 Extension Kit	218216-B21
	9142 Short Rear Door	218217-B21
	Note: The 9142 Short Rear Door (PN 218217-B21) supports the Compaq Rack 9142 only.	
	9136 Short Rear Door	218218-B21
	Rack Blanking Panel (Multi)	169940-B21
	Note: Kit includes four panels in 1U, 2U, 4U, and 8U.	
	Rack Blanking Panels (1U)	189453-B21
	Note: The Rack Blanking Panels (PN 189453-B21) contains 10 each of (1U).	
Rack Blanking Panels (2U)	189453-B22	
Note: The Rack Blanking Panels (PN 189453-B22) contains 10 each of (2U).		
Rack Blanking Panels (3U)	189453-B23	
Note: The Rack Blanking Panels (PN 189453-B23) contains 10 each of (3U).		
Rack Blanking Panels (4U)	189453-B24	
Note: The Rack Blanking Panels (PN 189453-B24) contains 10 each of (4U).		
Rack Blanking Panels (5U)	189453-B25	
Note: The Rack Blanking Panels (PN 189453-B25) contains 10 each of (5U).		
9000/10000 Series Offset Baying Kit (42U)	248931-B21	
Note: This kit can be used to connect 9000 and 10000 series racks of the same U height together. Kit contents include hardware for connecting racks and a panel to cover the 100-mm gap at the rear of the two racks.		
Rack Options for Compaq Rack 7000 Series	High Air Flow Rack Door Insert for 7122	157847-B21
	High Air Flow Rack Door Insert for 7142	327281-B21
	High Air Flow Rack Door Insert for 7142 (6 pack)	327281-B22
	Compaq Networking Cable Management Kit	292407-B21
	Compaq Networking Recessed Rail Management Kit	292406-B21
	Compaq Rack Extension Kit for 7142	154392-B21
Rack Options for Compaq Rack 7000, 9000, and 10000 Series	Monitor Utility Shelf	303606-B21
	Ballast Option Kit	120672-B21
	100kg Sliding Shelf	234672-B21
	Monitor/Utility Shelf - Graphite	253449-B21
	Rack Rail Adapter Kit (25" depth)	120675-B21
	Cable Management D-Rings Kit	168233-B21
	Depth Adjustable Fixed Rail	332558-B21
	Console Management Controller (CMC) Option Kit	203039-B21

Options

Rack Options for Compaq Rack 7000, 9000, and 10000 Series (continued)	Console Management Controller (CMC) Sensors Option Kit	203039-B22	
	Console Management Controller (CMC) Locking Option Kit	203039-B23	
	Console Management Controller (CMC) Smoke Sensors Option Kit	203039-B24	
	Server Console Switch 1 x 2-port (100 to 230 VAC)	120206-001	
	Server Console Switch 1 x 4-port (100 to 230 VAC)	400336-001	
	Server Console Switch 1 x 8-port (100 to 230 VAC)	400337-001	
	Server Console Switch 2 x 8-port (100 to 230 VAC)	400338-001	
	Server Console Switch 2 x 8-port (48 VDC)	400542-B21	
	IP Console Switch Box, 1x1x16	262585-B21	
	IP Console Switch Box, 3x1x16	262586-B21	
	IP Console Interface Adapter, 8 pack	262587-B21	
	IP Console Interface Adapter, 1 pack	262588-B21	
	IP Console Expansion Module	262589-B21	
	KVM 9 PIN Adapter (4 Pack)	149361-B21	
	CPU to Server Console Cable, 12'	110936-B21	
	CPU to Server Console Cable, 20'	110936-B22	
	CPU to Server Console Cable, 40'	110936-B23	
	CPU to Server Console Cable, 3'	110936-B24	
	CPU to Server Console Cable, 7'	110936-B25	
	CPU to Server Console Cable (Plenum Rated) 20'	149363-B21	
	CPU to Server Console Cable (Plenum Rated) 40'	149364-B21	
	IP CAT5 Cable 3', 4 pack	263474-B21	
	IP CAT5 Cable 6', 8 pack	263474-B22	
	IP CAT5 Cable 12', 8 pack	263474-B23	
	IP CAT5 Cable 20', 4 pack	263474-B24	
	IP CAT5 Cable 40', 1 pack	263474-B25	
	Switch Box Connector Kit (115 V)	144007-001	
	Switch Box Connector Kit (230 V)	144007-002	
	1U Rack Keyboard & Drawer (Carbon)	257054-001	
	<i>Note: The 1U Rack Keyboard & Drawer (PN 257054-001) is to be used with the Keyboards for Racks with Trackball (PN 158649-001).</i>		
	TFT5600 Rack Keyboard Monitor	221546-001	
	Keyboards for Racks with Trackball	158649-xx1	
	PCI KVM Management Card Kit	232983-B21	
	PCI KVM Remote Card Kit	232984-B21	
	Local Access Cable Kit	232985-B21	
	1U Rack Keyboard Drawer	338056-B21	
	Input Device Adjustable Rails	287139-B21	
	Input Device Telco Rail	287138-B21	
	Keyboard/Monitor/Mouse extension cables	169989-001	
	Service and Support Offerings (CarePak Services)	Hardware Services 4-Hour On-site Service	
		5 x 9 Coverage, 3 Years (6-3 Part Number for U.S.)	162676-002
		5 x 9 Coverage, 3 Years (6-3 Part Number for Canada)	162676-122
		7 x 24 Coverage, 3 Years (6-3 Part Number for U.S.)	162675-002
		7 x 24 Coverage, 3 Years (6-3 Part Number for Canada)	162675-122

Options

Service and Support Offerings (CarePaq Services) <i>(continued)</i>	<i>Installation & Start-up Services</i>	
	Hardware Installation (6-3 Part Number for U.S.)	401791-002
	Hardware Installation (6-3 Part Number for Canada)	401791-122
	Pre-installation planning; unpack equipment, install most current Compaq HW options internal to server at same time of server installation; assemble & test; basic user information provided; Install & configure basic functionality of Win NT Operating System plus up to 2 days start-up activity, configure print & network access services, and orientation (6-3 Part Number for U.S.)	240013-002
	Pre-installation planning; unpack equipment, install most current Compaq HW options internal to server at same time of server installation; assemble & test; basic user information provided; Install & configure basic functionality of Novell NetWare Operating System plus up to 2 days start-up activity, configure print & network access services, and orientation (6-3 Part Number for U.S.)	240008-002
	CarePaq Priority Services for ProLiant Servers – Priority Level	
	9 x 5 HW, 4-hr response, Next Available HW engineer; 9 x 5 Bronze Software Support 2-hr response for Windows NT, Windows 2000, Professional, Server or Advanced Server Operating System, Next Available Specialist (6-3 Part Number for U.S.)	239928-002
	9 x 5 HW, 4-hr response, Next Available HW engineer; 9 x 5 Bronze Software Support 2-hr response for Novell NetWare Operating System, Next Available Specialist (6-3 Part Number for U.S.)	239968-002
	5 x 9 4-hour H/W, 5 x 9 2-hour O/S (NT & NetWare), Three Years (6-3 Part Number for Canada)	155323-122
	CarePaq Priority Services for ProLiant Servers – Priority 24 Level	
	24 x 7 HW, 4-hr response, Named HW engineer; 24 x 7 Bronze Software Support, 2-hr response for Windows NT, Windows 2000, Professional, Server or Advanced Server Operating System, Next Available Specialist (6-3 Part Number for U.S.)	239930-002
	24 x 7 HW, 4-hr response, Named HW engineer; 24 x 7 Bronze Software Support, 2-hr response for Novell NetWare Operating System, Next Available Specialist (6-3 Part Number for U.S.)	239970-002
	CarePaq Priority Services for ProLiant Servers – Priority Plus Level	
	7 x 24 4-hour H/W, 7 x 24 1-hour O/S (NT & NetWare), SPS account review, Three Years (6-3 Part Number for Canada)	155331-122
	CarePaq Priority Services for ProLiant Servers – Priority Silver	
	24 x 7 HW, 4-hr response, Named HW engineer; 24 x 7 Silver Software Support, 1-hr response, Monday – Friday, 8AM – 5PM local time, 2-hr response after hours for Windows NT, Windows 2000, Professional, Server or Advanced Server Operating System, Technical Account Manager, Technical Newsletter, SW activity review, proactive patch notification, 1 System Healthcheck per year (6-3 Part Number for U.S.)	239932-002
	24 x 7 HW, 4-hr response, Named HW engineer; 24 x 7 Silver Subsequent System Support for Windows NT, Windows 2000, Professional, Server or Advanced Server Operating System (6-3 Part Number for U.S.)	239934-002
	24 x 7 HW, 4-hr response, Named HW engineer; 24 x 7 Silver Software Support, 1-hr response, Monday – Friday, 8AM – 5PM local time, 2-hr response after hours for Novell NetWare Operating System, Technical Account Manager, Technical Newsletter, SW activity review (6-3 Part Number for U.S.)	239972-002
	24 x 7 HW, 4-hr response, Named HW engineer; 24 x 7 Silver Subsequent System Support for Novell NetWare Operating System (6-3 Part Number for U.S.)	239974-002
	CarePaq Priority Services for ProLiant Servers – Priority Premier Level	
	7 x 24 2-hour H/W, 7 x 24 1-hour O/S (NT & NetWare), SPS Account Review, Proactive Management Review, named S/w rep, Three Years (6-3 Part Number for Canada)	155335-122
	CarePaq Priority Services for ProLiant Servers – Priority Executive Premier Level	
	7 x 24 2-hour H/W, 7 x 24 30-minutes O/S (NT & NetWare), SPS Account Review, Proactive Management Review, named S/w rep, Three Years (6-3 Part Number for Canada)	155339-122
	Note: For more information, customer/resellers can contact http://www.compaq.com/services .	

Memory

Compaq ProLiant DL360 All Models

STANDARD MEMORY

128-MB PC133-MHz Registered ECC SDRAM DIMM installed (1 x 128-MB SDRAM DIMM)

STANDARD MEMORY PLUS OPTIONAL MEMORY

Up to 3200-MB memory is available with the optional installation of PC-133 MHz Registered ECC SDRAM DIMM memory kits.

STANDARD MEMORY REPLACED WITH OPTIONAL MEMORY

Up to 4096-MB of memory is available with the removal of the standard 128-MB of memory and the optional installation of PC133-MHz Registered ECC SDRAM DIMM memory kits.

Note: Chart does not represent all possible configurations.

Memory		Slot			
		1	2	3	4
Standard	128 MB	128 MB	Empty	Empty	Empty
Optional	3200 MB	128 MB	1024 MB	1024 MB	1024 MB
Maximum	4096 MB	1024 MB	1024 MB	1024 MB	1024 MB

Following are memory options available from Compaq:

- 2048-MB PC133-MHz Registered ECC SDRAM DIMM Memory Option Kit (2 x 1024 MB) 201695-B21
- 1024-MB PC133-MHz Registered ECC SDRAM DIMM Memory Option Kit (1 x 1024 MB) 128280-B21
- 1024-MB PC133-MHz Registered ECC SDRAM DIMM Memory Option Kit (2 x 512 MB) 201694-B21
- 512-MB PC133-MHz Registered ECC SDRAM DIMM Memory Option Kit (1 x 512 MB) 128279-B21
- 512-MB PC133-MHz Registered ECC SDRAM DIMM Memory Option Kit (2 x 256 MB) 201693-B21
- 256-MB PC133-MHz Registered ECC SDRAM DIMM Memory Option Kit (1 x 256 MB) 128278-B21
- 256-MB PC133-MHz Registered ECC SDRAM DIMM Memory Option Kit (2 x 128 MB) 201692-B21
- 128-MB PC133-MHz Registered ECC SDRAM DIMM Memory Option Kit (1 x 128 MB) 128277-B21
- 64-MB PC133-MHz Registered ECC SDRAM DIMM Memory Option Kit (1 x 64 MB) 128276-B21

Storage



- 0, 1 2 x 1 inch Wide Ultra2/Ultra3 SCSI Hot Pluggable Hard Drive Bays
- A Low-profile 24x IDE CD-ROM
- B 3.5 inch Diskette Drive

DRIVE SUPPORT

	Quantity Supported	Position Supported	Controller
Removable Media			
1.44-MB Diskette Drive	Up to 1	B	Integrated
Low-profile 24x IDE CD-ROM Drive	Up to 1	A	Integrated IDE
DVD-ROM/Diskette Drive Assembly Option Kit	Up to 1	A	Integrated IDE

Hard Drives

Wide Ultra3 Hot Pluggable Drives

1-inch	Quantity Supported	Position Supported	Controller
72.8-GB 10,000 rpm	Up to 2	0-1	Integrated Smart Array Controller Smart Array 5304/128 Controller (requires the purchase of the Internal Array Controller Cabling Option Kit 174571-B21) Smart Array 5304/256 Controller (requires the purchase of the Internal Array Controller Cabling Option Kit 174571-B21)
36.4-GB 10,000 rpm			
18.2-GB 10,000 rpm			
36.4-GB 15,000 rpm			
18.2-GB 15,000 rpm			

External Storage

<i>StorageWorks</i> Enclosure 4300 Family (supports Ultra2/Ultra3 drives only)	Up to 8	External	Smart Array 5304/128 Controller Smart Array 5304/256 Controller 64-bit/66-MHz Single Channel Wide Ultra3 SCSI Adapter 64-bit/66-MHz Dual Channel Wide Ultra3 SCSI Adapter
<i>StorageWorks</i> Raid Array 4100 Kit	Up to 10 (with optional <i>StorageWorks</i> Hub or Switches)	External	64-Bit/66MHz Fibre Channel Host Adapter
MSA 1000	Please see the MSA 1000 QuickSpecs below to determine configuration requirements	External	Please see the MSA 1000 QuickSpecs (URL below) for the latest list of supported HBA's
MSA 1000: http://www5.compaq.com/products/quickspecs/11033_div/11033_div.HTML			

Maximum Storage Capacity (*StorageWorks* Enclosure 4300 SCSI Attached)

Internal:	145.6 GB (2 x 72.8 GB Wide Ultra3 1")
External:	8.153TB (8 x (14 x 72.8 GB Wide Ultra3 1" Drives))
Total:	8.299 TB

Maximum Storage Capacity (External RAID Array 4100 Attached)

Internal:	145.6 GB (2 x 72.8 GB Wide Ultra3 1")
External:	8.736 TB (10 x (12 x 72.8 GB Wide Ultra3 Drives))
Total:	8.881 TB

Storage

DRIVE SUPPORT *(continued)*

	Quantity Supported	Position Supported	Controller
Tape Drives			
Note: For an up-to-date listing of the latest O/S Support details for each of the Tape Drives listed below, please see the following: http://www5.compaq.com/products/quickspecs/North_America/10233.html			
Note: For an up-to-date listing of the latest O/S Support details for each of the Tape Storage Systems listed below, please see the following: http://www5.compaq.com/products/quickspecs/North_America/10809.html			
AIT 35GB LVD Tape Drive	Up to 3	External	Integrated Smart Array Controller
AIT 50GB Tape Drive	(for AIT 35 GB)		64-bit/66-MHz Dual Channel Wide Ultra3 SCSI Adapter
AIT 100GB Tape Drive	Up to 2 (for AIT 50 GB, AIT 100 GB)		64-bit/66-MHz Single Channel Wide Ultra3 SCSI Adapter
External 40/80-GB DLT Enhanced	Up to 3	External	Compaq Wide-Ultra SCSI-3 Adapter 64-bit/66-MHz Dual Channel Wide Ultra3 SCSI Adapter 64-bit/66-MHz Single Channel Wide Ultra3 SCSI Adapter
HP StorageWorks AIT 35 GB Autoloader	Up to 1 (for a single HBA) Up to 2 (for a dual HBA)	External	64-bit/66-MHz Dual Channel Wide Ultra3 SCSI Adapter 64-bit/66-MHz Single Channel Wide Ultra3 SCSI Adapter
SDLT 110/220-GB, External	Up to 2	External	64-bit/66-MHz Dual Channel Wide Ultra3 SCSI Adapter 64-bit/66-MHz Single Channel Wide Ultra3 SCSI Adapter
SSL2020 AIT Library	2 drives per SCSI channel	External	64-Bit/66MHz Dual Channel Wide Ultra3 SCSI Adapter SAN Access Module for Smart Array 5302 Controller Smart Array 5302/FC Controller
MSL5026DLX (40/80GB DLT-based) and MSL5026SL (SDLT-based) Library	2 drives per SCSI channel	External	64-Bit Dual Channel Wide Ultra2 SCSI Adapter 64-Bit/66-MHz Dual Channel Wide Ultra3 SCSI Adapter
MSL5052SL (SDLT-based) Library			
MSL5026S2 (SDLT-based) Library			
MSL5052S2 (SDLT-based) Library			
MSL5030L1 (LTO-based) Library			
MSL5060L1 (LOT-based) Library			
DLT1 1280 SuperLoader	Up to 2	External	64-bit/66-MHz Dual Channel Wide Ultra3 SCSI Adapter 64-bit/66-MHz Single Channel Wide Ultra3 SCSI Adapter

Technical Specifications

System Unit	Dimensions (H x W x D)	1.65 x 16.75 x 25 in/4.19 x 42.55 x 63.5 cm
	Weight	
	No hard drives installed, one power supply	26 lb/11.81 kg
	Hard drives installed, one power supply	28.6 lb/13 kg
	Input Requirements	
	Range Line Voltage	100 to 240 VAC
	Nominal Line Voltage	100 to 120 VAC/220 to 240 VAC
	Rated Input Current	2.66A (110 V) to 1.33A (220 V)
	Rated Input Frequency	50 to 60 Hz
	Rated Input Power	292 W
		Note: 292 W of Rated Input Power is for the Maximum Peak Output Power of 190 W.
	BTU Rating	996 BTUs/hr
		Note: The BTU Rating listed is for the Rated Input Power of 292W.
	Power Supply Output Power (per power supply)	
	Rated Steady-State Power	170W
		Note: The Steady State Power of 170 W is when the ProLiant DL360 is fully loaded with two 800-MHz processors, four 1024-MB DIMMs, two 10,000 rpm drives, a Remote Insight Lights-Out Edition and a Smart Array 4200 Controller.
		Maximum Peak Power 190W
	Temperature Range	
	Operating	50° to 95° F/10° to 35° C
	Shipping	-22° to 122° F/-30° to 50° C
	Relative Humidity (non-condensing)	
	Operating	8% to 90%
	Shipping	5% to 95%
	Maximum Wet Bulb Temperature	101.7°F/38.7°C
	Acoustic Noise	
	Idle (Fixed Disk Drives Spinning)	
	L _{wAd} (BELS)	6.5
	L _{pAm} (dBA)	51
	Operating (Random Seeks to Fixed Disks)	
	L _{wAd} (BELS)	6.6
	L _{pAm} (dBA)	52

Technical Specifications

1.44-MB Diskette Drive	Diskette Size	3.5 in		
	LED Indicators (front panel)	Green		
	Read/Write Capacity per Diskette (high/low density)	1.44 MB/720 KB		
	Drive Supported	One		
	Drive Height	11mm		
	Drive Rotation	300 rpm		
	Transfer Rate (high/low)	500/250 Kb/s		
	Bytes/Sector	512		
	Sectors/Track (high/low)	18/9		
	Tracks/Side (high/low)	80/80		
	Access Times	Track-to-Track (high/low)	3/6 ms	
		Average (high/low)	94/169 ms	
		Settling Time	15 ms	
Latency Average		100 ms		
Cylinders (high/low)	80/80			
Read/Write Heads	Two			
Hot Plug Wide Ultra3 SCSI Hard Drives	72.8 GB10K	Capacity	72837.2 MB	
	232432-B22	Height	1 in/25.4 mm	
		Width	4 in/101.6 mm	
		Interface	Wide Ultra3 SCSI	
		Transfer Rate Synchronous (Maximum)	160 MB/s	
		Seek Time (typical reads, including settling)	Single Track	0.7 ms
			Average	5.4 ms
			Full-Stroke	11 ms
			Rotational Speed	10,000 rpm
		Physical Configuration	Bytes/Sector	512
			Logical Blocks	142,264,000
		Operating Temperature	50° to 95° F/10° to 35° C	
		36.4 GB 10K	Capacity	36419.2 MB
		176496-B22	Height	1 in/25.4 mm
			Width	4 in/101.6 mm
			Interface	Wide Ultra3 SCSI
			Transfer Rate Synchronous (Maximum)	160 MB/s
Seek Time (typical reads, including settling)	Single Track		0.7 ms	
	Average		5.4 ms	
	Full-Stroke		11 ms	
	Rotational Speed		10,000 rpm	
Physical Configuration	Logical Blocks		71,132,000	
	Operating Temperature		50° to 95° F/10° to 35° C	

Technical Specifications

Hot Plug Wide Ultra3 SCSI Hard Drives <i>(continued)</i>	18.2 GB 10K	Capacity	18209.3 MB	
	142673-B22	Height	1 in/25.4 mm	
		Width	4 in/101.6 mm	
		Interface	Wide Ultra3 SCSI	
		Transfer Rate Synchronous (Maximum)	80 MB/s	
		Seek Time (typical reads, including settling)	Single Track	0.7 ms
			Average	5.4 ms
			Full-Stroke	11 ms
			Rotational Speed	10,000 rpm
		Physical Configuration	Logical Blocks	35,565,080
	Operating Temperature	50° to 95° F/10° to 35° C		
	36.4 GB 15K	Capacity	36419.2 MB	
	232916-B22	Height	1 in/25.4 mm	
		Width	4 in/101.6 mm	
		Interface	Wide Ultra3 SCSI	
		Transfer Rate Synchronous (Maximum)	160 MB/s	
		Seek Time (typical reads, including settling)	Single Track	0.4 ms
			Average	3.8 ms
			Full-Stroke	8 ms
			Rotational Speed	15,000 rpm
		Physical Configuration	Bytes/Sector	512
		Logical Blocks	71,132,000	
	Operating Temperature	50° to 95° F/10° to 35° C		
	18.2 GB 15K	Capacity	18209.3 MB	
	188122-B22	Height	1 in/25.4 mm	
		Width	4 in/101.6 mm	
		Interface	Wide Ultra3 SCSI	
		Transfer Rate Synchronous (Maximum)	160 MB/s	
		Seek Time (typical reads, including settling)	Single Track	0.4 ms
			Average	3.8 ms
			Full-Stroke	8 ms
			Rotational Speed	15,000 rpm
		Physical Configuration	Logical Blocks	35,565,080
	Operating Temperature	50° to 95° F/10° to 35° C		

Technical Specifications

Low-Profile 24X Max IDE CD-ROM Drive	Disk	Applicable Disk	CD-DA, CD-ROM (Mode 1 and 2) CD-XA, CD-I (Mode 2, Form 1 and 2) CD-I Ready, CD Extra, Video CD, CD-Bridge Photo CD (Single and Multi-session) CD-WO	
		Capacity	550 MB (Mode 1, 12 cm) 640 MB (Mode 2, 12 cm)	
		Diameter	4.7 in, 3.15 in/12 cm, 8 cm	
		Rotational Speed	4200 rpm maximum	
		Center Hole	0.6 in/15 mm diameter	
		Thickness	1.2 mm	
		Track Pitch	1.6 µm	
		Block Size	Mode 0 Mode 1 Mode 2	2,368, 2,352 bytes 2,352, 2,340, 2,336, 2,048 bytes 2,352, 2,340, 2,336, 2,048 bytes
		Interface	IDE (ATAPI)	
		Access Times (typical)	Random Full-Stroke	< 140 ms < 300 ms
	Audio Output Level	Line-Out	0.7 VRMS at 47 kOhms	
	Data Transfer Rate	Sustained Burst	150 KB/s (sustained 1X) 2100 to 4800 KB/s	
	Cache Buffer	128 KB		
	Start-up Time (typical)	< 10 seconds		
	Stop Time	< 5 seconds		
	Operating Conditions	Temperature Humidity	41° to 120° F/5° to 55° C 10% to 80%	
	Dimensions	(H x W x D, maximum) Weight	0.51 x 5.24 x 5.2 in/12.7 x 131 x 130 mm < 340 g	

Technical Specifications

Integrated Smart Array Controller	Data Compatible with all Smart Array Controllers	Yes	
	Instant Upgrades to other Smart Array Controllers	Yes	
	Consistent Software Manageability Tools	Yes	
	PCI Bus	32 bit, 33 MHz (integrated on server board)	
	PCI Peak Data Transfer Rate	133 MB/s	
	SCSI Protocols Supported	Ultra2, Wide-Ultra	
	SCSI Peak Data Transfer Rate	80 MB/s	
	<i>Note: For ProLiant servers having two internal drive bays on separate SCSI ports: SCSI Peak Data Transfer Rate is 160 MB/s total; 80 MB/s per channel and Channels is 2.</i>		
	Channels	2	
	<i>Note: For ProLiant servers having two internal drive bays on separate SCSI ports: SCSI Peak Data Transfer Rate is 160 MB/s total; 80 MB/s per channel and Channels is 2. The second channel on the DL360 is for external tape support only.</i>		
	SCSI Ports (external/internal)	1/1	
	<i>Note: For ProLiant servers having two internal drive bays on separate SCSI ports: SCSI Peak Data Transfer Rate is 160 MB/s total; 80 MB/s per channel and Channels is 2. The DL360 has a SCSI port at the back of the server for external tape support only.</i>		
	Drives Supported (maximum)	Maximum = total number of internal drives	
	<i>Note: Maximum is the total number of internal drives on each specific ProLiant server.</i>		
	Cache	8-MB read only	
	RAID Support	0, 1, 1+0, 5	
	<i>Note: RAID 5 is not supported on the Compaq ProLiant DL360. A minimum of three drives is required for RAID 5 and the Compaq ProLiant DL360 only supports up to two.</i>		
	Logical Drives (maximum)	32	
	Online Configuration	Yes	
	Online Capacity Expansion	Yes	
Logical Drive Capacity Extension	Yes		
Online Stripe Size Migration	Yes		
Online RAID Level Migration	Yes		
Online Spare Support	Yes		
Automatic Data Recovery	Yes		
Drive Roaming	Yes		
Redundant Controllers	No		
Two Compaq NC3163 Fast Ethernet NIC Embedded 10/100 WOL (Wake On LAN)	Network Interface	10Base-T/100Base-TX	
	Compatibility	IEEE 802.3/802.3u compliant	
	Data Transfer Method	32-bit bus-master PCI	
	Network Transfer Rate	10Base-T (Half-Duplex)	10 Mb/s
		10Base-T (Full-Duplex)	20 Mb/s
		100Base-TX (Half-Duplex)	100 Mb/s
		100Base-TX (Full-Duplex)	200 Mb/s
	Connector	RJ-45	
	Cable Support	10Base-T	Categories 3, 4 or 5 UTP; up to 328 feet (100 meters)
		100Base-TX	Category 5 UTP; up to 328 feet (100 meters)

Technical Specifications

Video Controller	Controller Chip	ATI RAGE IIC PCI	
	Video DRAM	4-MB Video SDRAM	
	Data Transfer Method	32-bit PCI	
	Support Resolution	Supported Color Depths:	
		640 x 480	16.7M, 64K, 256, 16
		800 x 600	16.7M, 64K, 256, 16
		1024 x 768	16.7M, 64K, 256, 16
		1152 x 864	16.7M, 64K, 256, 16
	1280 x 1024	16.7M, 64K, 256, 16	
	1600 x 1200	64K, 256, 16	
	Connector	VGA	
Smart Array 5300 Controller	Data Compatible with all Smart Array Controllers	Yes	
	Instant Upgrades to other Smart Array Controllers	Yes	
	Consistent Software Manageability Tools	Yes	
	PCI Bus	64-bit, 66 MHz	
	PCI Peak Data Transfer Rate	533 MB/s	
	SCSI Protocols Supported	Ultra3, Ultra2, Wide-Ultra	
	SCSI Peak Data Transfer Rate	640 MB/s total, 160 MB/s per channel	
	Channels	2, 4	
	SCSI Ports (external/internal)	2 channel model: 2/2 4 channel model: 4/2	
	Drives Supported (maximum)	56	
	<i>Note: Drives Supported (maximum) is based on use of StorageWorks Enclosure 4200/4300 family (14 hard disk drive enclosure).</i>		
	Cache	256, 128, 64 or 32 MB battery backed read-write	
	RAID Support	0, 1, 1+0, 5, Advanced Data Guarding	
	<i>Note: For customers who have purchased the SA-5304/128 a quick firmware upgrades to enable the technology is available from http://www.compaq.com/smartarray.</i>		
	<i>Note: RAID Support: Advanced Data Guarding (RAID ADG) is available with 128-MB versions of the SA-5300 only.</i>		
	Logical Drives (maximum)	32	
	Online Configuration	Yes	
	Online Capacity Expansion	Yes	
	Logical Drive Capacity Extension	Yes	
	Online Stripe Size Migration	Yes	
Online RAID Level Migration	Yes		
Online Spare Support	Yes		
Automatic Data Recovery	Yes		
Drive Roaming	Yes		
Redundant Controllers	No		

Technical Specifications

64-bit/66-MHz Single Channel Wide Ultra3 SCSI Adapter	Drives Supported	Up to 14 SCSI devices
	Storage Capacity	254.8 GB
	Data Transfer Method	64-bit/66-MHz PCI bus-master (The Compaq ProLiant DL360 PCI bus operates at 33 MHz.)
	Maximum SCSI Channel Transfer Rate	160 MB/s per channel
	Maximum Transfer Rate per PCI Bus (peak)	532 MB/s per channel
	SCSI Protocols	Wide Ultra3 SCSI Wide Ultra2 SCSI Wide-Ultra SCSI-3 Fast-Wide SCSI-2 Fast SCSI-2
	Electrical Protocol	Low Voltage Differential (LVD)
	SCSI Termination	Active Termination
	External SCSI Connectors	One 68-Pin Wide Ultra SCSI-3 connector
	Internal SCSI Connectors	Two 68-Pin Wide Ultra SCSI-3 connectors (one LVD and one SE) One 50-Pin Narrow Ultra connector

64-bit/66-MHz Dual Channel Wide Ultra3 SCSI Adapter	Drives Supported	Up to 28 SCSI devices (14 per channel)
	Storage Capacity	509.6 GB
	Data Transfer Method	64-bit/66-MHz PCI bus-master (The Compaq ProLiant DL360 PCI bus operates at 33 MHz.)
	Maximum SCSI Channel Transfer Rate	160 MB/s per channel
	Maximum Transfer Rate per PCI Bus (peak)	532 MB/s per channel
	SCSI Protocols	Wide Ultra3 SCSI Wide Ultra2 SCSI Wide-Ultra SCSI-3 Fast SCSI-2
	Electrical Protocol	Low Voltage Differential (LVD)
	SCSI Termination	Active Termination
	External SCSI Connectors	Two 68-Pin VHDCI connectors
	Internal SCSI Connectors	Two 68-Pin Wide Ultra SCSI-3 connectors One 50-Pin Narrow Ultra connector

Compaq Rack 10842 (42U)(optional)	Dimensions	Total Cabinet	Shipping	Color
	Height	78.7 in/199.90 cm	85in/215.9 cm	
	Depth	39.691 in/100.82 cm	48 in/121.92 cm	Graphite Metallic – doors
	Width	31.5 in/80.01 cm	43.5 in/110.49 cm	Carbon – frame
	Weight	295 lb/133.8 kg	335lb/151.95 kg	

Compaq Rack 10647 (47U)(optional)	Dimensions	Total Cabinet	Shipping	Color
	Height	89.96 in/228.5 cm	95.47 in/242.5 cm	
	Depth	39.691 in/100.82 cm	48 in/121.92 cm	Graphite Metallic – doors
	Width	24 in/61.28 cm	32 in/81.28 cm	Carbon – frame
	Weight	245 lb/111 kg	284 lb/129 kg	

Compaq Rack 10642 (42U)(optional)	Dimensions	Total Cabinet	Shipping	Color
	Height	78.7 in/199.90 cm	86.22 in/219.0 cm	
	Depth	39.691 in/100.82 cm	48 in/121.92 cm	Graphite Metallic – doors
	Width	24 in/61.28 cm	32 in/81.28 cm	Carbon – frame
	Weight	253 lb/114.84 kg	325 lb/147.52 kg	

Technical Specifications

Compaq Rack 10636 (36U)(optional)	Dimensions	Total Cabinet	Shipping	Color
	Height	68.6 in/174.2 cm	75.25 in/191.1 cm	
	Depth	39.691 in/100.82 cm	48 in/121.92 cm	Graphite Metallic – doors
	Width	24 in/61.28 cm	32 in/81.28 cm	Carbon – frame
	Weight	220 lb/100 kg	272 lb/123 kg	
Compaq Rack 10622 (22U)(optional)	Dimensions	Total Cabinet	Shipping	Color
	Height	43 in/109.22 cm	52.25 in/132.72 cm	
	Depth	39.691 in/100.82 cm	48 in/121.92 cm	Graphite Metallic – doors
	Width	24 in/61.28 cm	32 in/81.28 cm	Carbon – frame
	Weight	176 lb/79.89 kg	225 lb/102.13 kg	
Compaq Rack 9842 (42U)(optional)	Dimensions	Total Cabinet	Shipping	Color
	Height	78.7 in/199.90 cm	86.22 in/219 cm	
	Depth	35.8 in/90.93 cm	48 in/121.92 cm	Opal
	Width	31.5 in/80.01 cm	38.8 in/98.55 cm	
	Weight	374 lb/170 kg	440 lb/200 kg	
Compaq Rack 9142 (42U)(optional)	Dimensions	Total Cabinet	Shipping	Color
	Height	78.7 in/199.90 cm	83.38 in/211.79 cm	
	Depth	35.8 in/90.93 cm	48 in/121.92 cm	Opal
	Width	23.7 in/60.2 cm	32 in/81.28 cm	
	Weight	253 lb/114.84 kg	325 lb/147.52 kg	
Compaq Rack 9136 (36U)(optional)	Dimensions	Total Cabinet	Shipping	Color
	Height	68.6 in/174.24 cm	75.25 in/191.14 cm	
	Depth	35.8 in/90.93 cm	48 in/121.92 cm	Opal
	Width	23.7 in/60.2 cm	32 in/81.28 cm	
	Weight	165 lb/75 kg	234 lb/106 kg	
Compaq Rack 9122 (22U)(optional)	Dimensions	Total Cabinet	Shipping	Colour
	Height	43 in/109.22 cm	52.25 in/132.72 cm	
	Depth	35.8 in/90.93 cm	48 in/121.92 cm	Opal
	Width	24 in/60.96 cm	32 in/81.28 cm	
	Weight	176 lb/79.89 kg	225 lb/102.13 kg	

© 2002 Compaq Information Technologies Group, LP.

Compaq, the Compaq logo, ActiveUpdate, CarePaq, Compaq Insight Manager, ProLiant, ROMPaq, SANworks, SmartStart and StorageWorks are trademarks of Compaq Information Technologies Group, L.P. in the U.S. and/or other countries. Microsoft, Windows, Windows 2002 and Windows NT are registered trademarks or trademarks of Microsoft Corporation in the U.S. and/or other countries. Intel and Pentium are registered trademarks or trademarks of Intel Corporation in the U.S. and/or other countries. UnixWare is a registered trademark or trademark of The Open Group in the U.S. and/or other countries. Caldera and SCO are registered trademarks or trademarks of Caldera International, Inc. in the U.S. and/or other countries. Linux is a registered trademark or trademark of Linus Torvalds in the U.S. and/or other countries. Novell and NetWare are registered trademarks or trademarks of Novell Inc., in the U.S. and/or other countries. RedHat is a registered trademark or trademark of RedHat, Inc., in the U.S. and/or other countries. SuSE and its logo are registered trademarks or trademarks of SuSE AG in the U.S. and/or other countries. Turbolinux is a registered trademark or trademark of Turbolinux, Inc., in the U.S. and/or other countries. All other product names mentioned herein may be trademarks of their respective companies.

Compaq shall not be liable for technical or editorial errors or omissions contained herein. The information is provided "as is" without warranty of any kind and is subject to change without notice. The warranties for Compaq products are set forth in the express limited warranty statements accompanying such products. Nothing herein should be construed as constituting an additional warranty.