



Lenovo Flex System x240 M5 Compute Node Installation and Service Guide



Machine Types: 9532, 2591

Note

Before using this information and the product it supports, read the general information in Appendix B “Notices” on page 961, the *Warranty Information* document, and the *Safety Information* and the *Environmental Notices and User Guide* documents on the documentation CD that comes with your product.

(Updated 15 June 2016) Fourth Edition (February 2016)

© Copyright Lenovo 2016.

LIMITED AND RESTRICTED RIGHTS NOTICE: If data or software is delivered pursuant to a General Services Administration “GSA” contract, use, reproduction, or disclosure is subject to restrictions set forth in Contract No. GS-35F-05925

Contents

Safety	v	Installing the operating system without using ServerGuide	39
Guidelines for trained service technicians	vi	Using Lenovo ServerGuide Scripting Toolkit	39
Inspecting for unsafe conditions	vi	Chapter 4. Accessing the IMM2.	41
Guidelines for servicing electrical equipment	vii	Accessing the IMM2 remotely.	41
Safety statements	viii	Viewing the network access tag	41
Chapter 1. Introduction	1	Logging on to the IMM2 web interface	42
Related documentation	2	IMM2 action descriptions	43
Brocade documentation	3	Accessing the IMM2 using the LAN over USB interface	46
Notices and statements in this document	3	Potential conflicts with the LAN over USB interface	47
Features and specifications.	4	Resolving conflicts with the IMM2 LAN over USB interface	47
What your compute node offers	5	Configuring the LAN over USB interface manually	47
Lenovo XClarity Administrator.	9	Chapter 5. Parts listing, Types 9532 and 2951.	51
Reliability, availability, and serviceability features	10	Chapter 6. Troubleshooting	61
Major components of the compute node	11	Service bulletins	61
Power, controls, and indicators	11	Diagnostic tools	61
Compute node controls, connectors, and LEDs.	11	Light path diagnostics	61
Console breakout cable	15	IMM event log	64
Turning on the compute node	15	Lenovo Dynamic System Analysis	66
Turning off the compute node	17	DSA diagnostic test results	68
System-board layouts	17	Event messages	225
System-board connectors	17	IMM messages.	225
System-board LEDs	18	UEFI diagnostic codes.	823
System-board switches	18	Troubleshooting by symptom	852
Chapter 2. Configuring	21	Compute node start problems.	852
Updating firmware and device drivers	21	Connectivity problems	852
Recovering a UEFI image	22	Hard disk drive problems.	865
Configuring the compute node	23	Intermittent problems	866
Using the Setup utility	24	Intermittent connectivity problems	867
Nx boot failure	28	Memory problems	867
Setting the boot protocol to boot from legacy devices using the Setup utility.	29	Observable problems	868
Using the Boot Selection Menu program.	30	Optional device and replaceable component installation problems	869
Updating the Universally Unique Identifier (UUID) and DMI/SMBIOS data with vital product data.	30	Performance problems.	869
Configuring a RAID array	33	Power-on problems	870
Using the LSI Logic Configuration Utility	34	Software problems	871
Features on Demand	34	Undetermined problems	871
Chapter 3. Installing the operating system.	37	Collecting service data	872
Using the ServerGuide Setup and Installation CD	38		
ServerGuide features	38		
Typical operating-system installation	39		

Chapter 7. Installing, removing, and replacing compute node components. 873

Installing an optional device 873

Installation guidelines 873

 System reliability guidelines 873

 Handling static-sensitive devices 874

 Returning a device or component 874

 Updating the compute node configuration 874

Removing a compute node from a chassis. 874

Installing a compute node in a chassis 875

Removing and replacing consumable and structural parts 877

 Removing the front panel. 877

 Installing the front panel 878

 Removing the chassis bulkhead 880

 Installing the chassis bulkhead 881

 Removing the compute node cover. 881

 Installing the compute node cover 883

 Removing the front handle 884

 Installing the front handle. 884

 Removing the hard disk drive cage 885

 Installing the hard disk drive cage 886

Removing and replacing Tier 1 customer replaceable units (CRUs). 887

 Removing the adapter-retention assembly 887

 Installing the adapter-retention assembly 888

 Removing the bezel 890

 Installing the bezel 890

 Removing the ID label plate. 891

 Installing the ID label plate 892

 Removing the CMOS battery 893

 Installing the CMOS battery. 894

 Removing a DIMM 895

 Installing a DIMM 897

 Removing a hard disk drive backplane 905

 Installing a hard disk drive backplane 906

 Removing a hot-swap hard disk drive 907

 Installing a hot-swap hard disk drive 908

 Removing a solid state drive mounting sleeve 909

 Installing a solid state drive mounting sleeve 911

 Removing a 1.8-inch solid state drive 912

 Installing a 1.8-inch solid state drive 914

 Removing a ServeRAID M5215 controller 916

 Installing a ServeRAID M5215 controller 918

 Removing an interposer cable 920

 Installing an interposer cable 921

 Removing an I/O expansion adapter 922

 Installing an I/O expansion adapter 923

 Removing the RFID tag 924

 Installing the RFID tag 925

 Removing the SD Media Adapter for System x 926

 Installing the SD Media Adapter for System x 927

 Removing an SD card 929

 Installing an SD card 930

Removing and replacing Tier 2 customer replaceable units (CRUs). 931

 Removing a microprocessor and heat sink 931

 Installing a microprocessor and heat sink 935

 Thermal grease 942

 Removing and replacing the system-board assembly 943

Appendix A. Getting help and technical assistance 957

Before you call. 957

Using the documentation 958

Getting help and information from the World Wide Web 958

How to send DSA data 958

Creating a personalized support web page 958

Software service and support 958

Hardware service and support 959

Taiwan product service 959

Appendix B. Notices. 961

Trademarks 962

Important notes 962

Recycling information 962

Particulate contamination 963

Telecommunication regulatory statement 963

Electronic emission notices. 963

 Federal Communications Commission (FCC) statement 963

 Industry Canada Class A emission compliance statement 964

 Avis de conformité à la réglementation d'Industrie Canada 964

 Australia and New Zealand Class A statement 964

 Declaración de conformidad de las directivas de EMC de la Unión Europea 964

 Germany Class A statement 964

 Japan VCCI Class A statement 965

 Japan Electronics and Information Technology Industries Association (JEITA) statement. 966

 Korea Communications Commission (KCC) statement 966

 Russia Electromagnetic Interference (EMI) Class A statement 966

People's Republic of China Class A electronic emission statement	966
Taiwan Class A compliance statement	966

Taiwan BSMI RoHS declaration	967
Index.	969

Перед установкой продукта прочтите инструкции по технике безопасности.

Pred inštaláciou tohto zariadenia si pečítajte Bezpečnostné predpisy.

Pred namestitvijo tega proizvoda preberite Varnostne informacije.

Antes de instalar este producto, lea la información de seguridad.

Läs säkerhetsinformationen innan du installerar den här produkten.

ཐོན་རྒྱུ་འདི་བདེ་སྤྱོད་མ་བྱས་གོང་། རྒྱུ་མི་ཡིད་གཟབ་
བྱ་འདྲ་མིན་ཡོད་པའི་འོད་སྤེར་བལྟ་དགོས།

Bu ürünü kurmadan önce güvenlik bilgilerini okuyun.

مەزكۆر مەھسۇلاتنى ئورنىتىشتىن بۇرۇن بىخەتەرلىك ئۇچۇرلىرىنى ئوقۇپ چىقىڭ.

Youq mwngz yungh canjbinj neix gaxgonq, itdingh aeu doeg aen
canjbinj soengq cungj vahgangj ancien siusik.

Guidelines for trained service technicians

This section contains information for trained service technicians.

Inspecting for unsafe conditions

Use this information to help you identify potential unsafe conditions in a device that you are working on.

Each device, as it was designed and manufactured, has required safety items to protect users and service technicians from injury. The information in this section addresses only those items. Use good judgment to identify potential unsafe conditions that might be caused by unsupported alterations or attachment of unsupported features or optional devices that are not addressed in this section. If you identify an unsafe condition, you must determine how serious the hazard is and whether you must correct the problem before you work on the product.

Consider the following conditions and the safety hazards that they present:

- Electrical hazards, especially primary power. Primary voltage on the frame can cause serious or fatal electrical shock.
- Explosive hazards, such as a damaged CRT face or a bulging capacitor.
- Mechanical hazards, such as loose or missing hardware.

To inspect the product for potential unsafe conditions, complete the following steps:

1. Make sure that the power is off and the power cords are disconnected.
2. Make sure that the exterior cover is not damaged, loose, or broken, and observe any sharp edges.
3. Check the power cords:
 - Make sure that the third-wire ground connector is in good condition. Use a meter to measure third-wire ground continuity for 0.1 ohm or less between the external ground pin and the frame ground.
 - Make sure that the power cords are the correct type.
 - Make sure that the insulation is not frayed or worn.
4. Remove the cover.

5. Check for any obvious unsupported alterations. Use good judgment as to the safety of any unsupported alterations.
6. Check inside the system for any obvious unsafe conditions, such as metal filings, contamination, water or other liquid, or signs of fire or smoke damage.
7. Check for worn, frayed, or pinched cables.
8. Make sure that the power-supply cover fasteners (screws or rivets) have not been removed or tampered with.

Guidelines for servicing electrical equipment

Observe these guidelines when you service electrical equipment.

- Check the area for electrical hazards such as moist floors, nongrounded power extension cords, and missing safety grounds.
- Use only approved tools and test equipment. Some hand tools have handles that are covered with a soft material that does not provide insulation from live electrical current.
- Regularly inspect and maintain your electrical hand tools for safe operational condition. Do not use worn or broken tools or testers.
- Do not touch the reflective surface of a dental mirror to a live electrical circuit. The surface is conductive and can cause personal injury or equipment damage if it touches a live electrical circuit.
- Some rubber floor mats contain small conductive fibers to decrease electrostatic discharge. Do not use this type of mat to protect yourself from electrical shock.
- Do not work alone under hazardous conditions or near equipment that has hazardous voltages.
- Locate the emergency power-off (EPO) switch, disconnecting switch, or electrical outlet so that you can turn off the power quickly in the event of an electrical accident.
- Disconnect all power before you perform a mechanical inspection, work near power supplies, or remove or install main units.
- Before you work on the equipment, disconnect the power cord. If you cannot disconnect the power cord, have the customer power-off the wall box that supplies power to the equipment and lock the wall box in the off position.
- Never assume that power has been disconnected from a circuit. Check it to make sure that it has been disconnected.
- If you have to work on equipment that has exposed electrical circuits, observe the following precautions:
 - Make sure that another person who is familiar with the power-off controls is near you and is available to turn off the power if necessary.
 - When you work with powered-on electrical equipment, use only one hand. Keep the other hand in your pocket or behind your back to avoid creating a complete circuit that could cause an electrical shock.
 - When you use a tester, set the controls correctly and use the approved probe leads and accessories for that tester.
 - Stand on a suitable rubber mat to insulate you from grounds such as metal floor strips and equipment frames.
- Use extreme care when you measure high voltages.
- To ensure proper grounding of components such as power supplies, pumps, blowers, fans, and motor generators, do not service these components outside of their normal operating locations.
- If an electrical accident occurs, use caution, turn off the power, and send another person to get medical aid.

Safety statements

These statements provide the caution and danger information that is used in this documentation.

Important: Each caution and danger statement in this documentation is labeled with a number. This number is used to cross reference an English-language caution or danger statement with translated versions of the caution or danger statement in the *Safety Information* document.

For example, if a caution statement is labeled Statement 1, translations for that caution statement are in the *Safety Information* document under Statement 1.

Be sure to read all caution and danger statements in this documentation before you perform the procedures. Read any additional safety information that comes with your system or optional device before you install the device.

Statement 1



Electrical current from power, telephone, and communication cables is hazardous.

To avoid a shock hazard:

- **Do not connect or disconnect any cables or perform installation, maintenance, or reconfiguration of this product during an electrical storm.**
- **Connect all power cords to a properly wired and grounded electrical outlet.**
- **Connect to properly wired outlets any equipment that will be attached to this product.**
- **When possible, use one hand only to connect or disconnect signal cables.**
- **Never turn on any equipment when there is evidence of fire, water, or structural damage.**
- **Disconnect the attached power cords, telecommunications systems, networks, and modems before you open the device covers, unless instructed otherwise in the installation and configuration procedures.**
- **Connect and disconnect cables as described in the following table when installing, moving, or opening covers on this product or attached devices.**

To Connect:

1. Turn everything OFF.
2. First, attach all cables to devices.
3. Attach signal cables to connectors.
4. Attach power cords to outlet.
5. Turn device ON.

To Disconnect:

1. Turn everything OFF.
2. First, remove power cords from outlet.
3. Remove signal cables from connectors.
4. Remove all cables from devices.

Statement 2



CAUTION:

When replacing the lithium battery, use only Part Number 33F8354 or an equivalent type battery recommended by the manufacturer. If your system has a module containing a lithium battery, replace it only with the same module type made by the same manufacturer. The battery contains lithium and can explode if not properly used, handled, or disposed of. *Do not:*

- Throw or immerse into water
- Heat to more than 100°C (212°F)
- Repair or disassemble

Dispose of the battery as required by local ordinances or regulations.

Statement 12



CAUTION:

The following label indicates a hot surface nearby.



Statement 21



CAUTION:

Hazardous energy is present when the blade is connected to the power source. Always replace the blade cover before installing the blade.

UL regulatory information

This device is for use only with Listed Lenovo Flex System Enterprise Chassis.

Chapter 1. Introduction

The Lenovo Flex System™ x240 M5 Compute Node Types 9532 and 2591 is a high-availability, scalable compute node that is optimized to support the next-generation microprocessor technology and is ideally suited for medium and large businesses.

The Lenovo Flex System x240 M5 compute node is supported in the Lenovo Flex System Enterprise Chassis only.

This documentation provides the following information about setting up and troubleshooting the compute node:

- Starting and configuring the compute node
- Installing the operating system
- Diagnosing problems
- Installing, removing, and replacing components

Packaged with the compute node are software CDs that help you configure hardware, install device drivers, and install the operating system.

To download the latest firmware and device drivers, go to <http://www.ibm.com/support/fixcentral> and select **Lenovo Flex System** and **Lenovo Flex System x240 M5**.

The compute node comes with a limited warranty. For information about the terms of the warranty and getting service and assistance, see the *Warranty Information* document for your compute node. This document is available on the documentation CD that comes with your product.

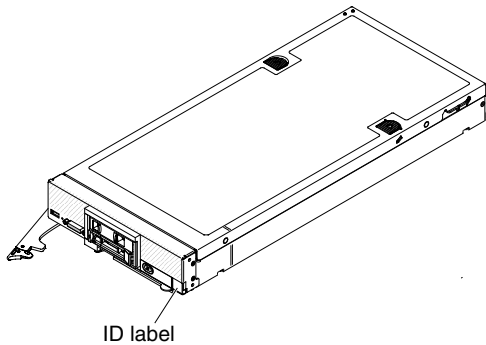
You can obtain up-to-date information about the compute node at <http://www.ibm.com/systems>.

The compute node might have features that are not described in the documentation that comes with the compute node. The documentation might be updated occasionally to include information about those features. Technical updates might also be available to provide additional information that is not included in the compute node documentation. To obtain the most up-to-date documentation for this product, go to <http://pic.dhe.ibm.com/infocenter/flexsys/information/index.jsp>.

You can subscribe to information updates that are specific to your compute node at <http://www.ibm.com/support/mynotifications>.

The model number and serial number are on the ID label on the bezel on the front of the compute node, and on a label on the bottom of the compute node that is visible when the compute node is not in the Lenovo Flex System chassis. If the compute node comes with an RFID tag, the RFID tag covers the ID label on the bezel on the front of the compute node, but you can open the RFID tag to see the ID label behind it.

Note: The illustrations in this document might differ slightly from your hardware.



The system service label, which is on the cover of the server, provides a quick response (QR) code for mobile access to service information. You can scan the QR code using a QR code reader and scanner with a mobile device and get quick access to the Lenovo® Service Information website. The Lenovo Service Information website provides additional information for parts installation and replacement videos, and error codes for server support.

The following illustration shows the QR code for the Lenovo Flex System x240 M5 compute node.



Related documentation

Use this information to identify and locate related compute node documentation.

This *Installation and Service Guide* contains general information about the compute node, including how to install supported optional devices and how to configure the compute node. It also contains information to help you solve problems yourself and instructions for removing and installing components, and it contains information for service technicians. Documents that are in Portable Document Format (PDF) are on the documentation CD that comes with your product. The following documentation is also available:

- *Safety Information*
This document is in PDF. It contains translated caution and danger statements. Each caution and danger statement that appears in the documentation has a number that you can use to locate the corresponding statement in your language in the *Safety Information* document.
- *Lenovo Warranty Information*
This printed document contains the warranty terms and a pointer to the Lenovo Statement of Limited Warranty.
- *Environmental Notices and User Guide*
This document is in PDF. It contains translated environmental notices.
- *License Agreement for Machine Code*
This document provides translated versions of the License Agreement for Machine code for your compute node.
- *Licenses and Attributions Document*
This document is in PDF. It provides information about the open-source notices.

In addition to the documentation in this library, be sure to review the *Installation and Service Guide* for your Lenovo Flex System chassis for information to help you prepare for system installation and configuration.

To check for updated documentation, go to <http://www.lenovo.com/support>.

You can also find documentation that is related to Lenovo Flex System products at <http://pic.dhe.ibm.com/infocenter/flexsys/information/index.jsp>.

Brocade documentation

Use this information to identify and locate related Brocade documentation.

The following section introduces Brocade documents that you might find useful for the installation and administration.

- **EN4023 User Guide**

- *Network OS Layer 2 Switching Configuration Guide* -
<http://www.brocade.com/content/html/en/configuration-guide/nos-601a-l2guide/>
- *Network OS Command Reference Guide* -
<http://www.brocade.com/content/html/en/command-reference-guide/nos-601a-commandref/index.html>
- *Network OS Message Reference* -
<http://www.brocade.com/content/html/en/message-reference-guides/nos-601a-messageref/wwhelp/wwhimpl/js/html/wwhelp.htm>

- **FC5022 User Guide**

- *Fabric OS Administrator's Guide* -
<http://www.brocade.com/content/html/en/administration-guide/fos-740-adminguide/>
- *Fabric OS Command Reference* -
<http://www.brocade.com/content/html/en/command-reference-guide/fos-741-commandref/wwhelp/wwhimpl/js/html/wwhelp.htm>
- *Fabric OS Message Reference* -
http://www.brocade.com/content/html/en/message-reference-guides/FOS_740_MESSAGES/wwhelp/wwhimpl/js/html/wwhelp.htm#href=Title.1.2.html
- *Access Gateway Administrator's Guide* -
<http://www.brocade.com/content/html/en/administration-guide/fos-740-accessgateway/index.html>

Notices and statements in this document

Use this information to understand the most common documentation notices and statements and how they are used.

The caution and danger statements in this document are also in the multilingual *Safety Information* document, which is on the documentation CD that comes with your product. Each statement is numbered for reference to the corresponding statement in the *Safety Information* document.

The following notices and statements are used in this document:

- **Note:** These notices provide important tips, guidance, or advice.
- **Important:** These notices provide information or advice that might help you avoid inconvenient or problem situations.
- **Attention:** These notices indicate possible damage to programs, devices, or data. An attention notice is placed just before the instruction or situation in which damage might occur.

- **Caution:** These statements indicate situations that can be potentially hazardous to you. A caution statement is placed just before the description of a potentially hazardous procedure step or situation.
- **Danger:** These statements indicate situations that can be potentially lethal or hazardous to you. A danger statement is placed just before the description of a potentially lethal or hazardous procedure step or situation.

Features and specifications

Use this information to view specific information about the compute node, such as compute node hardware features and the dimensions of the compute node.

Notes:

1. Power, cooling, and chassis systems management are provided by the Lenovo Flex System chassis.
2. The operating system in the compute node must provide USB support for the compute node to recognize and use USB media drives and devices. The Lenovo Flex System chassis uses USB for internal communication with these devices.

The following table is a summary of the features and specifications of the Lenovo Flex System x240 M5 compute node.

Table 1. Features and specifications

Features and specifications	
<p>Microprocessor: Up to two multi-core Intel Xeon microprocessors.</p> <p>Note: Use the Setup utility to determine the type and speed of the microprocessors in the compute node.</p> <p>Integrated functions:</p> <ul style="list-style-type: none"> • SH7758 (IMM2) baseboard management controller (BMC) with integrated VGA controller • Light path diagnostics • Automatic server restart (ASR) • One LSI 3004 SAS controller with support for RAID level-0 or RAID level-1 • Additional RAID levels supported when an optional RAID controller is installed • One external USB 3.0 port • Support for up to two internal USB 2.0 ports (SD card form factor) when an optional SD Media Adapter for System x® is installed. • Serial over LAN (SOL) • Wake on LAN (WOL) when an optional I/O adapter with WOL capability is installed. <p>Memory:</p> <ul style="list-style-type: none"> • 24 dual inline memory module (DIMM) connectors • Type: Low-profile (LP) double-data rate (DDR4) DRAM • Supports 4 GB, 8 GB, 16 GB, 32 GB, and 64 GB DIMMs with up to 1536 GB of total memory on the system board • Supports 4 GB, 8 GB, 16 GB, and 32GB DIMMs with up to 768 GB of total memory on the system board. • Support for RDIMMs and LRDIMMs (combining is not supported) • Supports RDIMMs 	<p>Size:</p> <ul style="list-style-type: none"> • Height: 55.5 mm (2.19 in) • Depth: 500.54 mm (19.7 in) • Width: 217.35 mm (8.56 in) • Maximum weight: 7.07 kg (15.6 lb) <p>Environment: The Lenovo Flex System x240 M5 compute node complies with ASHRAE class A3 specifications.</p> <ul style="list-style-type: none"> • Power on¹: <ul style="list-style-type: none"> – Temperature: 5°C - 40°C (41°F - 104°F)² – Humidity, non-condensing: -12°C dew point (10.4°F) and 8% - 85% relative humidity^{3,4} – Maximum dew point: 24°C (75°F) – Maximum altitude: 3048 m (10,000 ft) – Maximum rate of temperature change: 5°C/hr (2.78°F/hr)⁵ • Power off⁶: <ul style="list-style-type: none"> – Temperature: 5°C to 45°C (41°F - 113°F) – Relative humidity: 8% - 85% – Maximum dew point: 27°C (80.6°F) • Storage (non-operating): <ul style="list-style-type: none"> – Temperature: 1°C to 60°C (33.8°F - 140°F) – Altitude: 3050 m (10,006 ft) – Relative humidity: 5% - 80% – Maximum dew point: 29°C (84.2°F) • Shipment (non-operating)⁷: <ul style="list-style-type: none"> – Temperature: -40°C to 60°C (-40°F - 140°F) – Altitude: 10,700 m (35,105 ft) – Relative humidity: 5% - 100% – Maximum dew point: 29°C (84.2°F)⁸ • Particulate contamination <p>Attention: Airborne particulates and reactive gases acting alone or in combination with other environmental</p>

Table 1. Features and specifications (continued)

Features and specifications	
<p>Predictive Failure Analysis (PFA) alerts:</p> <ul style="list-style-type: none"> • Microprocessors • Memory • Hard disk drives <p>Drives:</p> <ul style="list-style-type: none"> • Supports up to two hot-swap, small form factor (SFF) Serial Attached SCSI (SAS) or solid-state (SSD) hard disk drives. • Additional hard disk drive types supported when an optional hard disk drive backplane is installed. <p>Upgradeable firmware: All firmware is field upgradeable.</p>	<p>factors such as humidity or temperature might pose a risk to the compute node. For information about the limits for particulates and gases, see “Particulate contamination” on page 963.</p> <p>Security:</p> <p>Fully compliant with NIST 800-131A. The security cryptography mode set by the managing device (CMM, Lenovo XClarity Administrator, or Flex System Manager management node) determines the security mode in which the compute node operates.</p>
<ol style="list-style-type: none"> 1. Chassis is powered on. 2. A3 - Derate maximum allowable temperature 1°C/175 m above 950 m. 3. The minimum humidity level for class A3 is the higher (more moisture) of the -12 °C dew point and the 8% relative humidity. These intersect at approximately 25°C. Below this intersection (~25C), the dew point (-12 °C) represents the minimum moisture level; above the intersection, relative humidity (8%) is the minimum. 4. Moisture levels lower than 0.5°C DP, but not lower -10 °C DP or 8% relative humidity, can be accepted if appropriate control measures are implemented to limit the generation of static electricity on personnel and equipment in the data center. All personnel and mobile furnishings and equipment must be connected to ground via an appropriate static control system. The following items are considered the minimum requirements: <ol style="list-style-type: none"> a. Conductive materials (conductive flooring, conductive footwear on all personnel who go into the datacenter; all mobile furnishings and equipment will be made of conductive or static dissipative materials). b. During maintenance on any hardware, a properly functioning wrist strap must be used by any personnel who contacts IT equipment. 5. 5°C/hr for data centers employing tape drives and 20°C/hr for data centers employing disk drives. 6. Chassis is removed from original shipping container and is installed but not in use, for example, during repair, maintenance, or upgrade. 7. The equipment acclimation period is 1 hour per 20°C of temperature change from the shipping environment to the operating environment. 8. Condensation, but not rain, is acceptable. 	

What your compute node offers

Your compute node offers features such as the integrated management module II (IMM2), hard disk drive support, systems-management support, Lenovo X-Architecture®, microprocessor technology, integrated network support, large system-memory capacity, light path diagnostics LEDs, PCI Express, and power throttling.

- **Features on Demand**

If a Features on Demand feature is integrated in the compute node or in an optional device that is installed in the compute node, you can purchase an activation key to activate the feature. For information about Features on Demand, see “Features on Demand” on page 34.

- **Flexible network support**

The compute node has connectors on the system board for optional expansion adapters for adding network communication capabilities to the compute node. You can install up to two I/O expansion adapters for network support. This provides the flexibility to install expansion adapters that support a variety of network communication technologies.

- **Hard disk drive support**

The compute node supports up to two hot-swap hard disk drives. You can implement RAID 0 or RAID 1 for the drives. Additional hard disk drive types and RAID levels are supported when an optional hard disk drive backplane and RAID controller are installed.

- **LenovoServerGuide Setup and Installation CD**

The *ServerGuide Setup and Installation CD*, which you can download from the web, provides programs to help you set up the compute node and install a Windows operating system. The ServerGuide program detects installed optional hardware devices and provides the correct configuration programs and device drivers. For more information, see “Using the ServerGuide Setup and Installation CD” on page 38.

- **Lenovo X-Architecture**

Lenovo X-Architecture systems combine proven, innovative designs to make your x86-processor-based compute node powerful, scalable, and reliable.

- **Integrated management module II (IMM2)**

The integrated management module II combines systems-management functions, video controller, the remote presence, and blue-screen capture features in a single chip. The IMM2 provides advanced systems-management control, monitoring, and alerting function. If an environmental condition exceeds a threshold or if a system component fails, the IMM2 lights LEDs to help you diagnose the problem, records the error in the IMM event log, and alerts you to the problem.

Optionally, the IMM2 also provides a virtual presence capability for remote systems-management capabilities. The IMM2 provides remote systems management through industry-standard interfaces:

- Common Information Model (CIM)
- Intelligent Platform Management Interface (IPMI) version 2.0
- Simple Network Management Protocol (SNMP) version 3.0
- Web browser

For more information, see Chapter 4 “Accessing the IMM2” on page 41.

- **Large system-memory capacity**

The compute node supports up to 1536 GB of system memory. The memory controller provides support for up to 24 industry-standard registered ECC DDR4 low-profile (LP) DIMMs on the system board. For the most current list of supported DIMMs, see <http://www.lenovo.com/serverproven/>

The compute node supports up to 768 GB of system memory. The memory controller provides support for up to 24 industry-standard registered ECC DDR4 low-profile (LP) DIMMs on the system board. For the most current list of supported DIMMs, see <http://www.lenovo.com/serverproven/>.

- **Light path diagnostics**

Light path diagnostics provides light-emitting diodes (LEDs) to help you diagnose problems. For more information, see “Light path diagnostics” on page 61.

- **Mobile access to Lenovo Service Information website**

The server provides a quick response (QR) code on the system service label, which is on the cover of the server, that you can scan using a QR code reader and scanner with a mobile device to get quick access to the Lenovo Service Information website. The Lenovo Service Information website provides additional information for parts installation and replacement videos, and error codes for server support. For the Lenovo Flex System x240 M5 compute node QR code, see QR code information in Chapter 1 “Introduction” on page 1 or Chapter 5 “Parts listing, Types 9532 and 2951” on page 51.

- **Microprocessor technology**

The compute node supports up to two multi-core Intel Xeon microprocessors. For more information about supported microprocessors, see <http://www.lenovo.com/serverproven/>.

Note: The optional microprocessors that Lenovo supports are limited by the capacity and capability of the compute node. Any microprocessor that you install must have the same specifications as the microprocessor that came with the compute node.

- **PCI Express**

PCI Express is a serial interface that is used for chip-to-chip interconnect and expansion adapter interconnect. You can add optional I/O and storage devices.

The optional Flex System PCIe Expansion Node supports additional PCIe adapters and I/O expansion adapters to provide a cost-effective way for you to increase and customize the capabilities of the compute node. For additional information, see http://pic.dhe.ibm.com/infocenter/flexsys/information/topic/com.lenovo.acc.pme.doc/product_page.html.

- **Power throttling**

By enforcing a power policy known as power-domain oversubscription, the Lenovo Flex System chassis can share the power load between two or more power supply modules to ensure sufficient power for each device in the Lenovo Flex System chassis. This policy is enforced when the initial power is applied to the Lenovo Flex System chassis or when a compute node is inserted into the Lenovo Flex System chassis.

The following settings for this policy are available:

- Basic power management
- Power module redundancy
- Power module redundancy with compute node throttling allowed

You can configure and monitor the power environment by using the Chassis Management Module. For more information, see the the Flex System Chassis Management Module: Command-Line Interface Reference Guide at http://pic.dhe.ibm.com/infocenter/flexsys/information/topic/com.lenovo.acc.cmm.doc/dw1kt_cmm_cli_book.pdf.

- **Systems-management support**

The compute node IMM2 provides a web interface for remote systems-management support. You can use the interface to view system status and to control systems-management functions and IMM management settings.

The IMM2 communicates with the Lenovo Flex System Chassis Management Module 2 (CMM) and the Lenovo XClarity Administrator application (if installed) or Flex System Manager management software (if installed).

- The CMM is a hot-swap module that provides systems-management functions for all components in an Lenovo Flex System chassis. It controls a serial port for remote connection and a 1 Gbps Ethernet remote-management connection. For more information, see the the Flex System Chassis Management Module: Command-Line Interface Reference Guide at http://pic.dhe.ibm.com/infocenter/flexsys/information/topic/com.lenovo.acc.cmm.doc/dw1kt_cmm_cli_book.pdf.
- The Lenovo XClarity Administrator is a virtual appliance that you can use to manage Lenovo Flex System chassis in a secure environment. The Lenovo XClarity Administrator provides a central interface to perform the following functions for all managed endpoints:
 - User management
 - Hardware monitoring and management
 - Configuration management
 - Operating system deployment
 - Firmware management

For more information, see

<https://support.lenovo.com/us/en/documents/LNVO-XCLARIT>.

- The Flex System Manager management software is a platform-management foundation that streamlines the way you manage physical and virtual systems in a heterogeneous environment. By using industry standards, Flex System Manager management

software supports multiple operating systems and virtualization technologies. For more information, see the "Flex System Manager Software: Installation and Service Guide" at http://pic.dhe.ibm.com/infocenter/flexsys/information/topic/com.ibm.acc.8731.doc/product_page.html.

- **Lenovo XClarity Administrator**

Lenovo XClarity Administrator is a centralized resource-management solution that enables administrators to deploy infrastructure faster and with less effort. The solution seamlessly integrates into System x, ThinkServer, and NeXtScale servers, as well as the Flex System converged infrastructure platform.

Lenovo XClarity Administrator provides:

- Automated discovery
- Agent-free hardware management
- Monitoring
- Firmware updates and compliance
- Pattern-based configuration management
- Deployment of operating systems and hypervisors

Administrators are able to find the right information and accomplish critical tasks faster through an uncluttered, dashboard-driven graphical user interface (GUI). Centralizing and automating foundational infrastructure deployment and lifecycle management tasks across large pools of systems frees up administrator time, and makes resources available to end-users faster.

Lenovo XClarity is easily extended into the leading virtualization management platforms from Microsoft and VMware using software plug-ins, called Lenovo XClarity Integrators. The solution improves workload uptime and service-level assurance by dynamically relocating workloads from affected hosts in the cluster during rolling server reboots or firmware updates, or during predicted hardware failures.

For more information about Lenovo XClarity Administrator, see the <http://shop.lenovo.com/us/en/systems/software/systems-management/xclarity/> and the http://pic.dhe.ibm.com/infocenter/flexsys/information/topic/com.lenovo.lxca.doc/aug_product_page.html.

- **Installing Lenovo XClarity Administrator**

- **Installing Lenovo XClarity Administrator for the first time**

The initial setup of Lenovo XClarity Administrator involves preparing the network, installing and configuring the Lenovo XClarity Administrator virtual appliance, managing systems, and optionally setting up automatic problem notification.

There are a number of different ways to connect manageable systems to the network and to set up the Lenovo XClarity Administrator to manage those systems based on the network topology that is implemented in your environment. For guidance for installing the Lenovo XClarity Administrator in VMware ESXi-based and Hyper-V environments, see <http://pic.dhe.ibm.com/infocenter/flexsys/information/index.jsp?topic=%2Fcom.lenovo.lxca.doc%2Fsetup.html>.

- **Free 90-day trial**

Lenovo XClarity Administrator offers a free, 90-day trial license that enables you to use all available features (including operating-system deployment, firmware maintenance, and configuration management) for a limited time.

To continue using Lenovo XClarity Administrator to manage your Lenovo hardware after the 90-day trial period, you are required to purchase a full-function-enablement license for Lenovo XClarity Administrator. You can purchase Lenovo XClarity Administrator licenses from your Lenovo seller or business partner.

For information about installing the license, see http://pic.dhe.ibm.com/infocenter/flexsys/information/index.jsp?topic=%2Fcom.lenovo.lxca.doc%2Fupdate_lxcasw.html.

– **Updating Lenovo XClarity Administrator**

You can download or import Lenovo XClarity Administrator updates and install the updates from the Lenovo XClarity Administrator web interface. For information about updating a Lenovo XClarity Administrator, see http://pic.dhe.ibm.com/infocenter/flexsys/information/index.jsp?topic=%2Fcom.lenovo.lxca.doc%2Fupdate_lxcasw.html. Ensure that you carefully read the Installation and Setup Instructions in the `Invgv_sw_lxca_***_anyos_noarch.txt` file that is provided in the update package .zip file.

Lenovo XClarity Administrator

Lenovo XClarity Administrator is a centralized, resource-management solution that simplifies infrastructure management, speeds responses, and enhances the availability of Lenovo® server systems and solutions. It runs as a virtual appliance that automates discovery, inventory, tracking, monitoring, and provisioning for Lenovo servers, Flex System servers, and RackSwitch switches in a secure environment.

Lenovo XClarity Administrator provides a central interface to perform the following functions for all managed endpoints.

- **Hardware management**

Lenovo XClarity Administrator provides agent-free hardware management. It can automatically discover manageable endpoints, including Flex System chassis and components, System x, NeXtScale, and ThinkServer servers, and RackSwitch switches. Inventory of the discovered endpoints is also gathered, so an at-a-glance view of the managed hardware inventory and status is possible.

- **Hardware monitoring**

Lenovo XClarity Administrator provides a centralized view of all events and alerts that are generated from the managed endpoints. When a CMM or IMM detects an issue, an alert or event is passed to the Lenovo XClarity Administrator and is displayed in the events or alerts log. A summary of all alerts and events is visible from the Dashboard and the Status bar. Events and alerts for a specific endpoint are available from the Alerts and Events detail page for that endpoint.

- **Operating-system deployment**

You can use Lenovo XClarity Administrator to manage the repository of operating-system images and deploy operating-system images to managed servers.

- **Configuration management**

You can quickly provision and pre-provision all of your servers using a consistent configuration. Configuration settings (such as local storage, I/O adapters, boot settings, firmware, ports, and IMM and UEFI settings) are saved as a server pattern that can be applied to one or more managed servers. When the server patterns are updated, the changes are automatically deployed to the applied servers.

- **Firmware compliance and updates**

Firmware management is simplified by assigning firmware-compliance policies to managed endpoints. When you create and assign a compliance policy to managed endpoints, Lenovo XClarity Administrator monitors changes to the inventory for those endpoints and flags any endpoints that are out of compliance.

- **User management**

Lenovo XClarity Administrator provides a centralized authentication server to create and manage user accounts and to manage and authenticate user credentials. The authentication server is created automatically when you start the management server for the first time. The user accounts that you create for Lenovo XClarity Administrator are also used to log in to managed chassis and servers.

- **Security**

If your environment must comply with either NIST SP 800-131A or FIPS 140-2 standards, Lenovo XClarity Administrator can help you achieve a fully compliant environment. It supports self-signed SSL certificates (which are issued by an internal certificate authority) and external SSL certificates (which are issued by a private or commercial CA). Firewalls on chassis and servers can be configured to accept incoming requests from only Lenovo XClarity Administrator.

- **Service and support**

Lenovo XClarity Administrator can be set up to collect and send diagnostic files automatically to your preferred service provider when certain serviceable events occur in Lenovo XClarity Administrator and the managed endpoints. You can choose to send diagnostic files to Lenovo Support using call home or to another service provider using SFTP. You can also manually collect diagnostic files, open a problem record, and send diagnostic files to the Lenovo Support Center.

- **Task automation using scripts**

Lenovo XClarity Administrator can be integrated into external, higher-level management and automation platforms through open REST application programming interfaces (APIs). Using the REST APIs, Lenovo XClarity Administrator can easily integrate with your existing management infrastructure. You can also run Lenovo XClarity *cmdlets* in a Microsoft PowerShell session to automate certain management functions. The cmdlets use Lenovo XClarity Administrator REST APIs and can automate functions

- **Integration with other management software**

Lenovo XClarity Administrator is available stand-alone or as a bundled offering that is known as Lenovo XClarity Pro. Lenovo XClarity Pro is composed of the base Administrator product plus two Lenovo XClarity Integrator modules that provide integration into Microsoft Systems Center or VMware vCenter. Together, these tools provide discovery, monitoring, configuration, and management functions to reduce the cost and complexity of routine system administration for System x, NeXtScale, and Flex System endpoints.

More information about Lenovo XClarity Administrator is available at <http://shop.lenovo.com/us/en/systems/software/systems-management/xclarity/>.

Reliability, availability, and serviceability features

Three of the most important features in compute node design are reliability, availability, and serviceability (RAS). These RAS features help to ensure the integrity of the data that is stored in the compute node, the availability of the compute node when you need it, and the ease with which you can diagnose and correct problems.

The compute node has the following RAS features:

- Advanced Configuration and Power Interface (ACPI)
- Automatic server restart (ASR)
- Built-in diagnostics using DSA Preboot
- Built-in monitoring for temperature, voltage, and hard disk drives
- Customer support center 24 hours per day, 7 days a week¹
- Customer upgrade of flash ROM-resident code and diagnostics
- Customer-upgradeable Unified Extensible Firmware Interface (UEFI) code and diagnostics
- ECC protected DDR4 DIMMs
- ECC protection on the L2 cache
- Error codes and messages
- Integrated management module II (IMM2) that communicates with the Chassis Management Module to enable remote systems management
- Light path diagnostics
- Memory parity testing
- Microprocessor built-in self-test (BIST) during power-on self-test (POST)

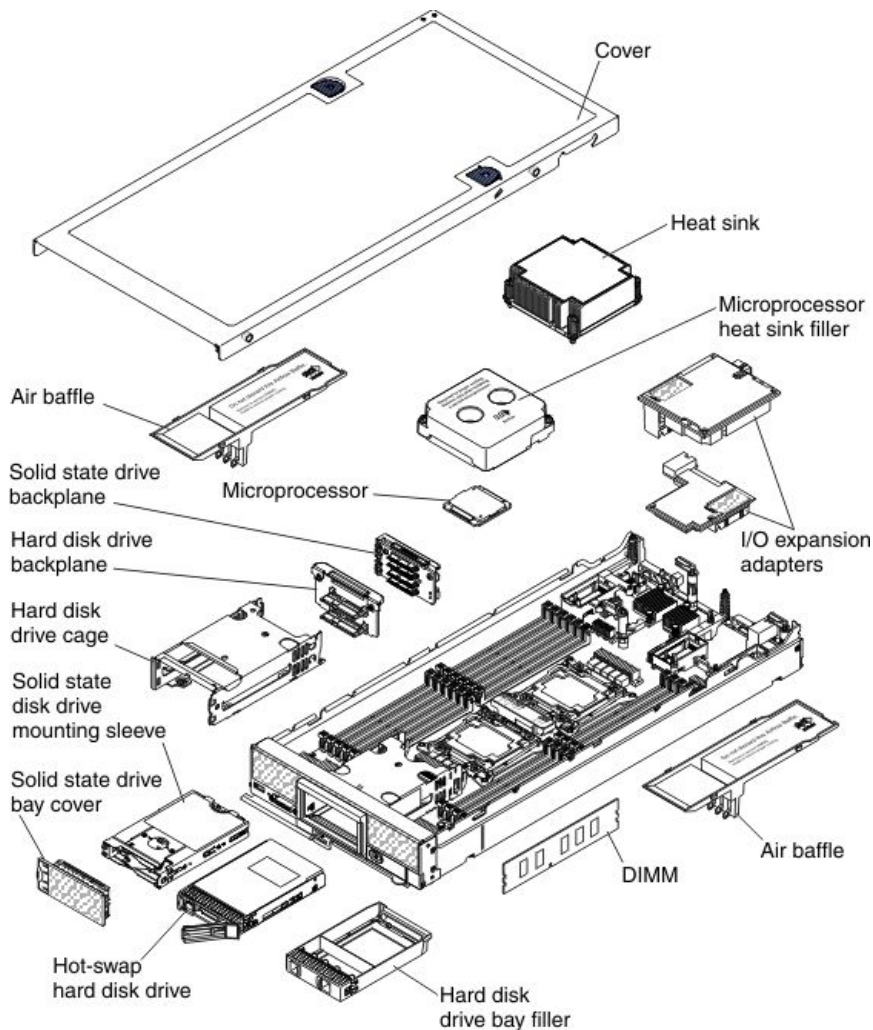
1. Service availability varies by country. Response time varies depending on the number and nature of incoming calls.

- Microprocessor serial number access
- Processor presence detection
- ROM-resident diagnostics
- System-error logging
- Vital product data (VPD) on memory
- Wake on LAN (WOL) capability when an optional I/O adapter with WOL capability is installed
- Wake on PCI (PME) capability

Major components of the compute node

Use this information to locate the major components on the compute node.

The following illustration shows the major components of the compute node.



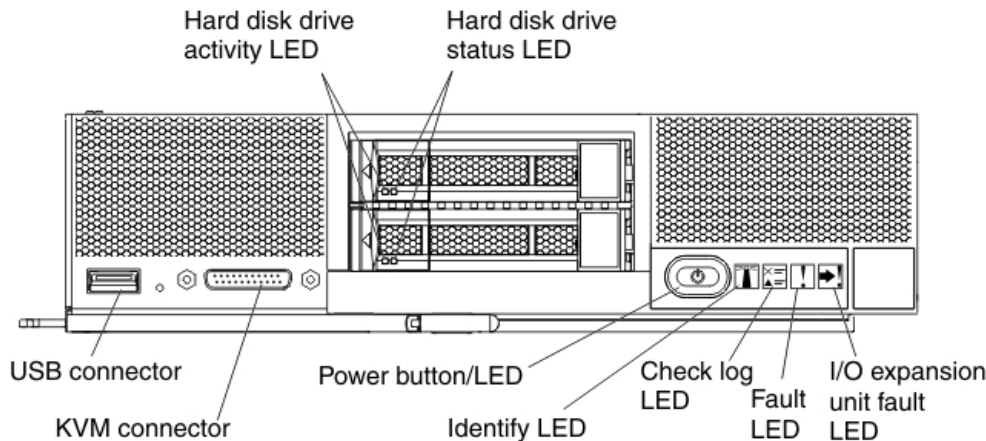
Power, controls, and indicators

Use this information to view power features, turn on and turn off the compute node, and view the functions of the controls and indicators.

Compute node controls, connectors, and LEDs

Use this information for details about the controls, connectors, and LEDs.

The following illustration identifies the buttons, connectors, and LEDs on the control panel.



Power button/LED (green)

When the compute node is connected to power through the Lenovo Flex System chassis, press this button to turn on or turn off the compute node.

Note: The power button works only if local power control is enabled for the compute node. Local power control is enabled and disabled through the CMM **power** command and the CMM web interface.

- For more information about the CMM **power** command, see the "Flex System Chassis Management Module: Command-Line Interface Reference Guide" at http://pic.dhe.ibm.com/infocenter/flexsys/information/topic/com.lenovo.acc.cmm.doc/cli_command_power.html.
- From the CMM web interface, select **Compute Nodes** from the **Chassis Management** menu. For more information, see the "Flex System Chassis Management Module: User's Guide" at http://pic.dhe.ibm.com/infocenter/flexsys/information/topic/com.lenovo.acc.cmm.doc/cmm_user_guide.html. All fields and options are described in the CMM web interface online help.

After the compute node is removed from the chassis, press and hold this button to activate the system-board LEDs (light path diagnostics). See "Compute node controls, connectors, and LEDs" on page 11 for more information.

This button is also the power LED. This green LED indicates the power status of the compute node:

- **Flashing rapidly:** The LED flashes rapidly for one of the following reasons:
 - The compute node has been installed in a powered chassis. When you install the compute node, the LED flashes rapidly while the integrated management module II (IMM2) in the compute node is initializing and synchronizing with the Chassis Management Module. The time required for a compute node to initialize varies by system configuration.
 - Power permissions have not been assigned to the compute node through the Chassis Management Module.
 - The Lenovo Flex System chassis does not have enough power to turn on the compute node.
 - The IMM2 in the compute node is not communicating with the Chassis Management Module.

The power LED blink rate slows when the compute node is ready to be turned on.

- **Flashing slowly:** The compute node is connected to power through the Lenovo Flex System chassis and is ready to be turned on.
- **Lit continuously:** The compute node is connected to power through the Lenovo Flex System chassis and is turned on.

When the compute node is on, pressing this button causes an orderly shutdown of the compute node so that it can be removed safely from the chassis. This includes shutting down the operating system (if possible) and removing power from the compute node.

If an operating system is running, you might have to press the button for approximately 4 seconds to initiate the shutdown.

Attention: Pressing the button for 4 seconds forces the operating system to shut down immediately. Data loss is possible.

Identify LED (blue)

The system administrator can remotely light this blue LED to aid in visually locating the compute node. When this LED is lit, the identify LED on the Lenovo Flex System chassis is also lit. The identify LED can be lit and turned off through the CMM **led** command, the CMM web interface and the Lenovo XClarity Administrator application (if installed) or Flex System Manager management software (if installed).

- For more information about the CMM **led** command, see the "Flex System Chassis Management Module: Command-Line Interface Reference Guide" at http://pic.dhe.ibm.com/infocenter/flexsys/information/topic/com.lenovo.acc.cmm.doc/cli_command_led.html.
- From the CMM web interface, select **Compute Nodes** from the **Chassis Management** menu. For more information, see the the "Flex System Chassis Management Module: User's Guide" at http://pic.dhe.ibm.com/infocenter/flexsys/information/topic/com.lenovo.acc.cmm.doc/cmm_user_guide.html. All fields and options are described in the CMM web interface online help.
- For more information about the Lenovo XClarity Administrator application, see <https://support.lenovo.com/us/en/documents/LNVO-XCLARIT>.
- For more information about Flex System Manager management software, see the "Flex System Manager Software: Installation and Service Guide" at http://pic.dhe.ibm.com/infocenter/flexsys/information/topic/com.ibm.acc.8731.doc/product_page.html.

Check log LED (yellow)

When this yellow LED is lit, it indicates that a condition that causes an event to be logged in the IMM event log has occurred.

The check log LED can be turned off through the CMM **led** command, the CMM web interface and the Lenovo XClarity Administrator application (if installed) or Flex System Manager management software (if installed).

- For more information about the CMM **led** command, see the "Flex System Chassis Management Module: Command-Line Interface Reference Guide" at http://pic.dhe.ibm.com/infocenter/flexsys/information/topic/com.lenovo.acc.cmm.doc/cli_command_led.html.
- From the CMM web interface, select **Compute Nodes** from the **Chassis Management** menu. For more information, see the the "Flex System Chassis Management Module: User's Guide" at http://pic.dhe.ibm.com/infocenter/flexsys/information/topic/com.lenovo.acc.cmm.doc/cmm_user_guide.html. All fields and options are described in the CMM web interface online help.
- For more information about the Lenovo XClarity Administrator application, see <https://support.lenovo.com/us/en/documents/LNVO-XCLARIT>.
- For more information about Flex System Manager management software, see the "Flex System Manager Software: Installation and Service Guide" at http://pic.dhe.ibm.com/infocenter/flexsys/information/topic/com.ibm.acc.8731.doc/product_page.html.

Notes:

1. Alternatively, you can use the **CMM_INDICATES_ITE_ERROR_N** command to light the check log LED. See the the Flex System Chassis Management Module: Command-Line Interface Reference Guide at http://pic.dhe.ibm.com/infocenter/flexsys/information/topic/com.lenovo.acc.cmm.doc/dw1kt_cmm_cli_book.pdf for more information.
2. You can check the CMM event log to determine the source of the condition. For more information, see “Viewing event logs without restarting the compute node” on page 65.

Fault LED (yellow)

When this yellow LED is lit, it indicates that a system error has occurred in the compute node. In addition, the fault LED on the chassis system LED panel is lit. You can check the CMM event log and the light path diagnostics LEDs to determine the source of the condition. For more information, see “Viewing event logs without restarting the compute node” on page 65. See “Light path diagnostics LEDs” on page 63 for more information about the LEDs on the compute node.

The fault LED turns off only after the error is corrected.

Note: When the fault LED turns off, you should also clear the IMM event log. Use the Setup utility to clear the IMM event log.

I/O expansion unit fault LED (yellow)

When this yellow LED is lit, it indicates that an error has occurred in an I/O expansion unit that is installed in the compute node. In addition, the compute node fault LED and the fault LED on the chassis system LED panel are lit. You can check the CMM event log and the light path diagnostics LEDs to determine the source of the condition. For more information, see “Viewing event logs without restarting the compute node” on page 65. See “Light path diagnostics LEDs” on page 63 for more information about the LEDs on the compute node.

The fault LED turns off only after the error is corrected.

Note: When the fault LED turns off, you should also clear the IMM event log. Use the Setup utility to clear the IMM event log.

Hard disk drive activity LED (green)

Green LEDs are on all hot swap drives. When this green LED is lit, it indicates that there is activity on the associated hard disk or solid state drive.

- When this LED is flashing, it indicates that the drive is actively reading or writing data.
- For SAS and SATA drives, this LED is off when the drive is powered but not active.
- For NVMe (PCIe SSD) solid state drives, this LED is on solid when the drive is powered but not active.

Note: The hard disk drive activity LED might be in a different location on the front of the hard disk drive, depending on the drive type that is installed.

Hard disk drive status LED (yellow)

The state of this yellow LED indicates an error condition or the RAID status of the associated hard disk or solid state drive:

- When the yellow LED is lit continuously, it indicates that an error has occurred with the associated drive. The LED turns off only after the error is corrected. You can check the CMM event log to determine the source of the condition. For more information, see “Viewing event logs without restarting the compute node” on page 65.
- When the yellow LED flashes slowly, it indicates that the associated drive is being rebuilt.
- When the yellow LED flashes rapidly, it indicates that the associated drive is being located.

Note: The hard disk drive status LED might be in a different location on the front of the hard disk drive, depending on the drive type that is installed.

KVM connector

Connect the console breakout cable to this connector (see “Console breakout cable” on page 15 for more information).

Attention: Use only the console breakout cable that comes with the compute node. Attempting to connect other console breakout cable types might damage the console breakout cable and the compute node.

Note: It is best practice to connect the console breakout cable to only one compute node at a time in each Lenovo Flex System chassis.

USB connector

Connect a USB device to this USB 3.0 connector.

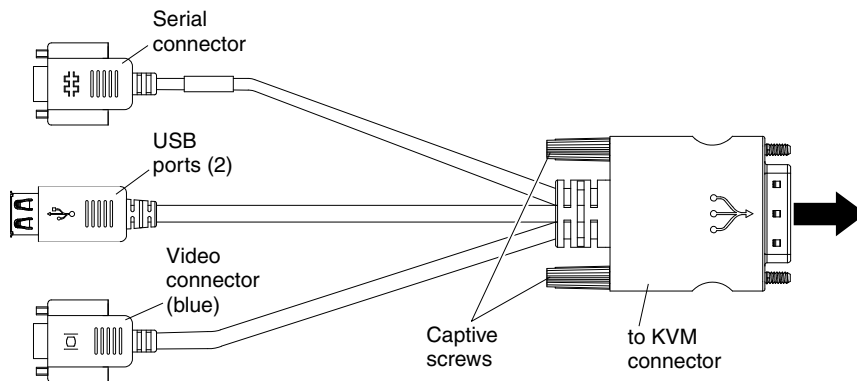
Note: It is best practice to connect a USB device to the front of only one compute node at a time in each Lenovo Flex System chassis.

Console breakout cable

Use this information for details about the console breakout cable.

Use the console breakout cable to connect external I/O devices to the compute node. The console breakout cable connects through the KVM connector (see “Compute node controls, connectors, and LEDs” on page 11). The console breakout cable has connectors for a display device (video), two USB 2.0 connectors for a USB keyboard and mouse, and a serial interface connector.

The following illustration identifies the connectors and components on the console breakout cable.



Turning on the compute node

Use this information for details about turning on the compute node.

After you connect the compute node to power through the Lenovo Flex System chassis, the compute node can be started in any of the following ways.

Important: If an Attention label is on the front panel of the compute node above the power button, read it; then, remove the label and discard it before turning on the compute node.

- You can press the power button on the front of the compute node (see “Compute node controls, connectors, and LEDs” on page 11) to start the compute node. The power button works only if local power control is enabled for the compute node. Local power control is enabled and disabled through the CMM **power** command and the CMM web interface.
 - For more information about the CMM **power** command, see the "Flex System Chassis Management Module: Command-Line Interface Reference Guide" at

http://pic.dhe.ibm.com/infocenter/flexsys/information/topic/com.lenovo.acc.cmm.doc/cli_command_power.html.

- From the CMM web interface, select **Compute Nodes** from the **Chassis Management** menu. For more information, see the the "Flex System Chassis Management Module: User's Guide" at http://pic.dhe.ibm.com/infocenter/flexsys/information/topic/com.lenovo.acc.cmm.doc/cmm_user_guide.html. All fields and options are described in the CMM web interface online help.

Notes:

1. Wait until the power LED on the compute node flashes slowly before you press the power button. While the IMM2 in the compute node is initializing and synchronizing with the Chassis Management Module, the power LED flashes rapidly, and the power button on the compute node does not respond. The time required for a compute node to initialize varies by system configuration; however, the power LED blink rate slows when the compute node is ready to be turned on.
 2. While the compute node is starting, the power LED on the front of the compute node is lit and does not flash. See "Compute node controls, connectors, and LEDs" on page 11 for the power LED states.
- If a power failure occurs, the Lenovo Flex System chassis and the compute node can be configured through the CMM **power** command and the CMM web interface to start automatically when power is restored.
 - For more information about the CMM **power** command, see the "Flex System Chassis Management Module: Command-Line Interface Reference Guide" at http://pic.dhe.ibm.com/infocenter/flexsys/information/topic/com.lenovo.acc.cmm.doc/cli_command_power.html.
 - From the CMM web interface, select **Compute Nodes** from the **Chassis Management** menu. For more information, see the the "Flex System Chassis Management Module: User's Guide" at http://pic.dhe.ibm.com/infocenter/flexsys/information/topic/com.lenovo.acc.cmm.doc/cmm_user_guide.html. All fields and options are described in the CMM web interface online help.
 - You can turn on the compute node through the CMM **power** command, the CMM web interface and the Lenovo XClarity Administrator application (if installed) or Flex System Manager management software (if installed).
 - For more information about the CMM **power** command, see the "Flex System Chassis Management Module: Command-Line Interface Reference Guide" at http://pic.dhe.ibm.com/infocenter/flexsys/information/topic/com.lenovo.acc.cmm.doc/cli_command_power.html.
 - From the CMM web interface, select **Compute Nodes** from the **Chassis Management** menu. For more information, see the the "Flex System Chassis Management Module: User's Guide" at http://pic.dhe.ibm.com/infocenter/flexsys/information/topic/com.lenovo.acc.cmm.doc/cmm_user_guide.html. All fields and options are described in the CMM web interface online help.
 - For more information about the Lenovo XClarity Administrator application, see <https://support.lenovo.com/us/en/documents/LNVO-XCLARIT>.
 - For more information about Flex System Manager management software, see the "Flex System Manager Software: Installation and Service Guide" at http://pic.dhe.ibm.com/infocenter/flexsys/information/topic/com.ibm.acc.8731.doc/product_page.html.
 - You can turn on the compute node through the Wake on LAN (WOL) feature when an optional I/O adapter with WOL capability is installed. The compute node must be connected to power (the power LED is flashing slowly) and must be communicating with the Chassis Management Module. The operating system must support the Wake on LAN feature, and the Wake on LAN feature must be enabled through the Chassis Management Module interface.

Turning off the compute node

Use this information for details about turning off the compute node.

When you turn off the compute node, it is still connected to power through the Lenovo Flex System chassis. The compute node can respond to requests from the IMM2, such as a remote request to turn on the compute node. To remove all power from the compute node, you must remove it from the Lenovo Flex System chassis.

Before you turn off the compute node, shut down the operating system. See the operating-system documentation for information about shutting down the operating system.

The compute node can be turned off in any of the following ways:

- You can press the power button on the compute node (see “Compute node controls, connectors, and LEDs” on page 11). This starts an orderly shutdown of the operating system, if this feature is supported by the operating system.
- If the operating system stops functioning, you can press and hold the power button for more than 4 seconds to turn off the compute node.

Attention: Pressing the power button for 4 seconds forces the operating system to shut down immediately. Data loss is possible.

- You can turn off the compute node through the CMM **power** command, the CMM web interface and the Lenovo XClarity Administrator application (if installed) or Flex System Manager management software (if installed).
 - For more information about the CMM **power** command, see the "Flex System Chassis Management Module: Command-Line Interface Reference Guide" at http://pic.dhe.ibm.com/infocenter/flexsys/information/topic/com.lenovo.acc.cmm.doc/cli_command_power.html.
 - From the CMM web interface, select **Compute Nodes** from the **Chassis Management** menu. For more information, see the the "Flex System Chassis Management Module: User's Guide" at http://pic.dhe.ibm.com/infocenter/flexsys/information/topic/com.lenovo.acc.cmm.doc/cmm_user_guide.html. All fields and options are described in the CMM web interface online help.
 - For more information about the Lenovo XClarity Administrator application, see <https://support.lenovo.com/us/en/documents/LNVO-XCLARIT>.
 - For more information about Flex System Manager management software, see the "Flex System Manager Software: Installation and Service Guide" at http://pic.dhe.ibm.com/infocenter/flexsys/information/topic/com.ibm.acc.8731.doc/product_page.html.

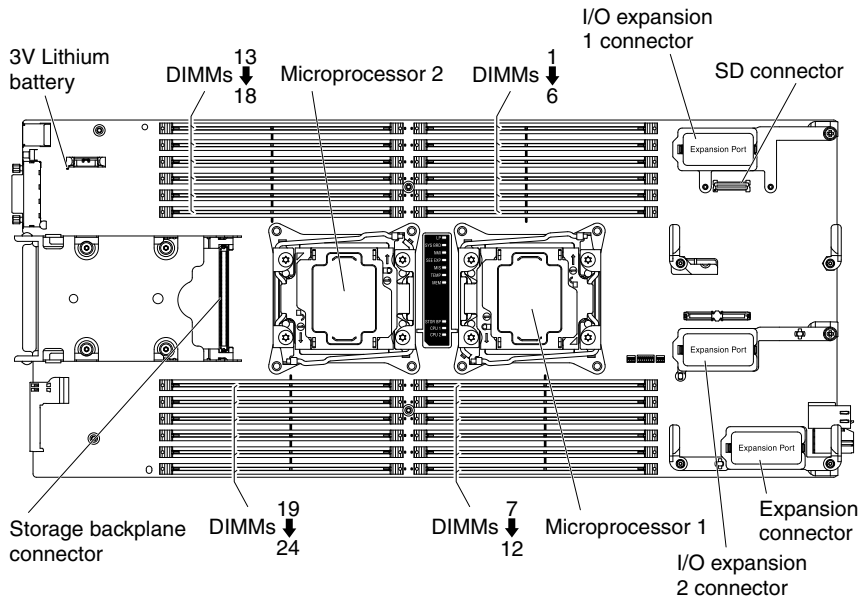
System-board layouts

Use this information to locate the connectors, LEDs, and switches on the system board.

System-board connectors

Use this information to locate compute node system-board components and connectors for optional devices.

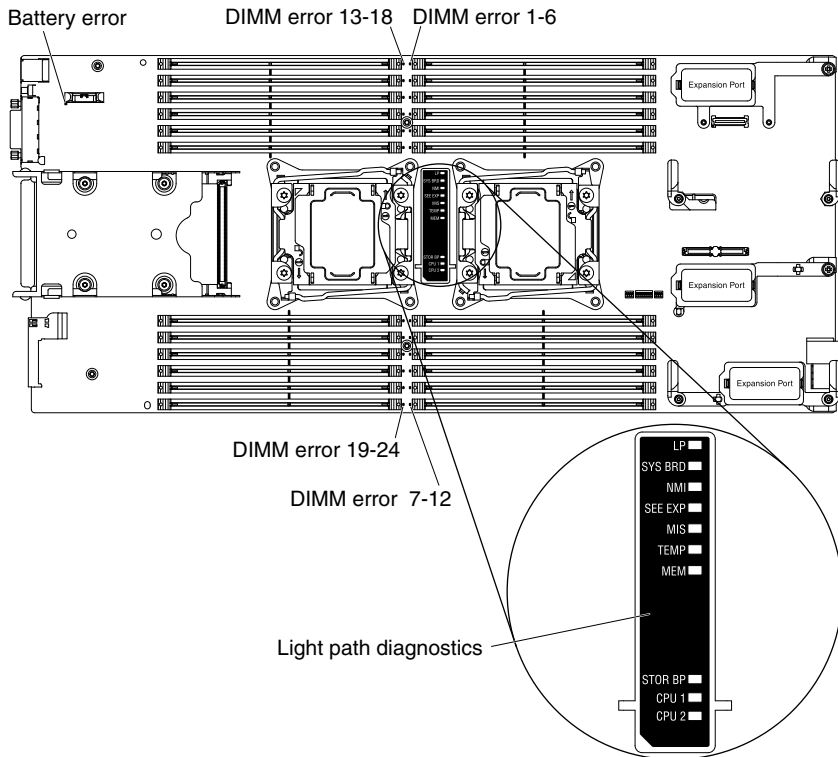
The following illustration shows the system-board components, including connectors for user-installable optional devices, in the compute node.



System-board LEDs

Use this information to locate the system-board LEDs.

The following illustration shows the locations of the LEDs on the system board.

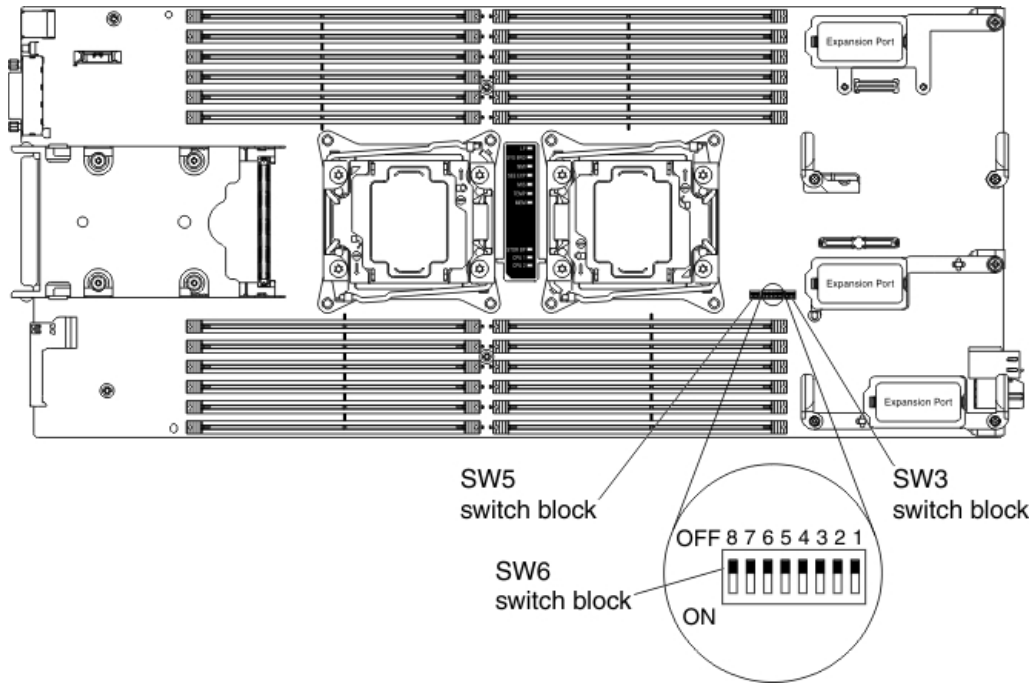


See “Light path diagnostics LEDs” on page 63 for information about how to interpret the system-board LEDs.

System-board switches

Use this information to locate the system-board switches.

The following illustration shows the location of the switch blocks on the system board.



Note: Any system-board switches or jumpers that are not described in this section are reserved.

Switch and jumper functions are as follows:

- All jumpers on the system board are reserved and should be removed.
- All switches on switch block SW3 are reserved and should be in the Off position.
- All switches on switch block SW5 are reserved. Switches SW5-1, SW5-3, and SW5-4 should be in the Off position. Switch SW5-2 should be in the On position.
- The following table describes the functions of the switches on switch block SW6.

Table 2. System-board switch block SW6

Switch number	Description	Definition
SW6-1	Password override	The default position is Off. Changing this switch to the On position overrides the power-on password.
SW6-2	Trusted Platform Module (TPM) physical presence	The default position is Off. Changing this switch to the On position indicates a physical presence to the TPM.
SW6-3	Real time clock (RTC) reset	The default position is Off. Changing this switch to the On position resets the RTC. A momentary toggle is all that is required. To avoid excessive CMOS battery drain, do not leave this switch in the On position.

Table 2. System-board switch block SW6 (continued)

Switch number	Description	Definition
SW6-4	Boot backup IMM2	When the switch is in the default Off position, the compute node will boot by using the primary IMM2 firmware. When the switch is in the On position, the compute node will boot by using a backup of the IMM2 firmware.
SW6-5	Boot backup UEFI	The default position is Off. Changing this switch to the On position forces the compute node to boot from the backup UEFI image.
SW6-6	iBMC force update	The default position is Off. Changing this switch to the On position bypasses the operational firmware image and performs a BMC firmware update, if the normal firmware update procedure results in an inoperative BMC. Note: Use this switch only if the normal firmware update procedure fails and the operational firmware image is corrupted. Use of this switch disables normal baseboard management controller operation.
SW6-7	Reserved	The default position is Off.
SW6-8	IMM Trusted Platform Module (TPM) physical presence	The default position is Off. Changing this switch to the On position indicates a physical presence to the IMM TPM.

Chapter 2. Configuring

Use this information to update the firmware and use the configuration utilities.

Updating firmware and device drivers

Lenovo periodically makes UEFI code, IMM2 firmware, diagnostic firmware updates, and device-driver updates available for the compute node. Provisioning is the set of actions that you take to update the firmware and device drivers and install the operating system. Several tools are available to help you update the firmware and device drivers in the provisioning process.

Attention: Installing the wrong firmware or device-driver update might cause the compute node to malfunction. Before you install a firmware or device-driver update, read any readme and change history files that are provided with the downloaded update. These files contain important information about the update and the procedure for installing the update, including any special procedure for updating from an early firmware or device-driver version to the latest version.

Note: Follow the instructions in the readme file that comes with the firmware update.

- **Lenovo XClarity Administrator**

If a Lenovo XClarity Administrator is available, you can download, install, and manage firmware updates for managed endpoints, including chassis, compute nodes, and I/O modules. You can assign compliance policies to the managed endpoints to ensure that firmware on those endpoints remains compliant.

Note: Firmware updates can be applied to the hardware only. You cannot update device drivers using the Lenovo XClarity Administrator.

For more information about the Lenovo XClarity Administrator application, see <https://support.lenovo.com/us/en/documents/LNVO-XCLARIT>.

- **Flex System Manager Update Manager**

Flex System Manager Update Manager (if installed) acquires, installs, and manages firmware and device driver updates and monitors your compute nodes to ensure that they remain current. For more information about Flex System Manager Update Manager, see http://pic.dhe.ibm.com/infocenter/flexsys/information/topic/com.ibm.acc.8731.doc/updating_firmware_and_software.html.

- **UpdateXpress System Packs**

UpdateXpress System Packs (UXSP) contain an integration-tested bundle of online, updateable firmware and device drivers for your compute node. The Lenovo ToolsCenter Bootable Media Creator uses UpdateXpress System Packs to update the firmware and device drivers.

Typically, use UpdateXpress System Packs to update firmware and devices drivers for a compute node that has previously been provisioned. For more information about UpdateXpress System Packs, see <http://www.ibm.com/support/entry/portal/docdisplay?Indocid=SERV-XPRESS>.

- **Lenovo ToolsCenter Bootable Media Creator**

You can use Lenovo ToolsCenter Bootable Media Creator to create bootable media that is suitable for applying firmware updates and running preboot diagnostics. Using Lenovo ToolsCenter Bootable Media Creator, you can create a single bootable image on supported media (such as CD, DVD, ISO image, USB flash drive, or set of PXE files) that bundles multiple Lenovo Flex System tools and updates from UpdateXpress System Packs, which contain Windows and Linux firmware updates.

Typically, use Lenovo ToolsCenter Bootable Media Creator for the initial setup of a compute node. For more information about the Lenovo Bootable Media Creator, see <https://support.lenovo.com/us/en/documents/LNVO-BOMC>.

To provision a compute node with updated firmware and device drivers by using Lenovo ToolsCenter Bootable Media Creator, complete the following steps:

1. Download Lenovo ToolsCenter Bootable Media Creator to a computer that is connected over the management network to the Flex System Manager management software (if installed) that is managing the compute node.
2. Create the bootable media of firmware and device-driver updates.
3. Connect to the Flex System Manager management software that is managing the Lenovo Flex System chassis in which the compute node is installed.
4. From Flex System Manager Chassis Manager, select the compute node. In the Actions column, select **Remote Control**.

Note: The user ID that you use to log in to Flex System Manager management software must have sufficient user permissions to manage the compute node.

5. From the Remote Control session, mount the bootable media (using Remote Media).
6. Start the compute node to boot the media and install the updates.

Important: To avoid problems and to maintain system performance, always make sure that the UEFI code, IMM2 firmware, and diagnostic firmware levels are consistent in all compute nodes in the Lenovo Flex System chassis.

For additional information about updating firmware and device drivers, see UEFI Compliant Firmware on System x® and BladeCenter® Servers, the Flex System Quick start guides, and the *Firmware Update Guides* at <http://www.ibm.com/support/entry/portal/docdisplay?Indocid=MIGR-5091991> (you might need to register to access this content).

Recovering a UEFI image

Use this information to recover a UEFI image.

The compute node has an advanced recovery feature that automatically switches to a backup UEFI page if the UEFI code in the compute node has become damaged, such as from a power failure during an update. The flash memory of the compute node consists of a primary page and a backup page. If the UEFI code in the primary page is damaged, the integrated management module II detects the error and automatically switches to the backup page to start the compute node. If this happens, a POST message *Booted from backup UEFI image* is displayed, the check log LED is lit, and an automatic BIOS recovery (ABR) condition occurs. The backup page version might not be the same as the primary page version. You can then recover or restore the original primary page UEFI.

Note: Changes are made periodically to the Lenovo website. The actual procedure might vary slightly from what is described in this document.

To recover the UEFI code and restore the compute node operation to the primary page, complete the following steps:

- Step 1. Update the UEFI code (see “Updating firmware and device drivers” on page 21).
- Step 2. Restart the compute node.
- Step 3. At the firmware splash screen, press F3 when prompted to restore to the primary bank. The compute node boots from the primary bank.

Note: The prompt to press F3 is displayed only if the compute node boots from the backup page because of an ABR condition.

If the attempt to flash the primary page results in the compute node not booting and the check log LED is not lit, you can manually restore the UEFI code. To manually restore the UEFI code, complete the following steps.

Note: If the check log LED is lit, the compute node is booting from the backup image, and changing the boot backup UEFI switch to the On position changes nothing.

1. Before you begin, read “Safety” on page v and “Installation guidelines” on page 873.
2. Turn off the compute node (see “Turning off the compute node” on page 17).
3. Remove the compute node from the Lenovo Flex System chassis (see “Removing a compute node from a chassis” on page 874).
4. Remove the cover (see “Removing the compute node cover” on page 881).
5. Locate the boot backup UEFI switch on the switch block and change the switch to the On position (see “System-board switches” on page 18).
6. Replace the cover and reinstall the compute node in the Lenovo Flex System chassis (see “Installing the compute node cover” on page 883 and “Installing a compute node in a chassis” on page 875).
7. Update the UEFI code (see “Updating firmware and device drivers” on page 21).
8. Turn off the compute node and remove it from the Lenovo Flex System chassis (see “Turning off the compute node” on page 17 and “Removing a compute node from a chassis” on page 874).
9. Remove the cover of the compute node (see “Removing the compute node cover” on page 881).
10. Locate the boot backup UEFI switch on the switch block and change the switch to the Off position (see “System-board switches” on page 18).
11. Replace the cover and reinstall the compute node in the Lenovo Flex System chassis (see “Installing the compute node cover” on page 883 and “Installing a compute node in a chassis” on page 875).
12. Restart the compute node (see “Turning on the compute node” on page 15).

Important: If you are unable to manually restore the UEFI code after several attempts, replace the system-board assembly (see “Removing and replacing the system-board assembly” on page 943).

Configuring the compute node

Use this information to configure the compute node.

To perform a typical initial configuration, complete the following steps.

Note: To configure a compute node, you configure the IP address of the IMM through the CMM web interface. For more information, see the “Flex System Chassis Management Module: User’s Guide” at http://pic.dhe.ibm.com/infocenter/flexsys/information/topic/com.lenovo.acc.cmm.doc/cmm_ui_config_chassis_components.html.

- Step 1. Configure the Unified Extensible Firmware Interface (UEFI) firmware for the compute node by using the Setup utility (see “Using the Setup utility” on page 24) or the Advanced Setup Utility (ASU) (see <https://support.lenovo.com/us/en/documents/LNVO-ASU>).

For more information about firmware configuration options, see <http://www.ibm.com/support/entry/portal/docdisplay?Indocid=MIGR-5083207>.

- Step 2. Set the boot protocol by using the Setup utility (see “Setting the boot protocol to boot from legacy devices using the Setup utility” on page 29).

You can temporarily redefine the boot order by using the Boot Selection menu program (see “Using the Boot Selection Menu program” on page 30).

- Step 3. Configure the RAID array.

You can install up to two hard disk drives in the compute node and implement RAID level-0 (striping) or RAID level-1 (mirroring) arrays in operating systems that are listed on the ServerProven list at <http://www.lenovo.com/serverproven/>. For the compute node, you must configure the RAID by using the LSI Configuration Utility program (see “Using the LSI Logic Configuration Utility” on page 34).

If an optional RAID expansion adapter is installed, you can use it to control all the hard disk drives that are installed in the compute node. See the documentation that comes with the expansion adapter for information about how to configure the RAID array.

Important: You must create the RAID array *before* you install the operating system on the compute node.

- Step 4. Configure the integrated management module II (IMM2), using the Setup utility or the Advanced Settings Utility (ASU).
- Step 5. Update the compute node firmware (see “Updating firmware and device drivers” on page 21).

Notes:

1. If you use Flex System Manager Update Manager to update the firmware, you can optionally start the operating-system installation while the firmware updates are installed. It is normal operation for the initial firmware updates to take an unusual length of time.
2. If the Chassis Management Module (CMM) and the compute nodes are set up to use DHCP and the CMM loses connectivity to the network, the CMM attempts to acquire a new IP address when network connectivity is restored. The compute nodes will not attempt to acquire an IP address again; they will continue to use their original IP addresses. Therefore, if you experience network problems on compute nodes after connectivity between the CMM and the network is restored, you might have to reset the system-management processor in each of the compute nodes in the chassis (including the management node). See “Connectivity problems” on page 852 for more information.

After you configure the compute node, you can install the operating system and update device drivers (see Chapter 3 “Installing the operating system” on page 37 for more information).

Using the Setup utility

Use these instructions to start the Setup utility.

You can access the Setup utility remotely through the CMM web interface. From the CMM web interface, select **Launch Compute Node Console**. For more information, see the the "Flex System Chassis Management Module: User's Guide" at http://pic.dhe.ibm.com/infocenter/flexsys/information/topic/com.lenovo.acc.cmm.doc/cmm_user_guide.html. All fields and options are described in the CMM web interface online help.

To start the Setup utility locally, complete the following steps:

- Step 1. If the compute node is turned on, turn off the compute node (see “Turning off the compute node” on page 17).
- Step 2. If necessary, connect a keyboard, monitor, and mouse to the console breakout cable and connect the console breakout cable to the compute node.
- Step 3. Turn on the compute node (see “Turning on the compute node” on page 15).
- Step 4. When the prompt Press <F1> Setup is displayed, press F1. If you have set an administrator password, you must type the administrator password to access the full Setup utility menu. If you do not type the administrator password, a limited Setup utility menu is available.
- Step 5. Follow the instructions on the screen.

The following menu items are on the Setup utility main menu. Depending on the version of the Unified Extensible Firmware Interface (UEFI), some menu items might differ slightly from these descriptions.

- **System Information**

Select this choice to view information about the compute node. When you make changes through other choices in the Setup utility, some of those changes are reflected in the system information; you cannot change settings directly in the system information. This choice is on the full Setup utility menu only.

- **System Summary**

Select this choice to view configuration information, including the ID, speed, and cache size of the microprocessors, machine type and model of the compute node, the serial number, the system Universally Unique Identifier (UUID), and the amount of installed memory.

- **Product Data**

Select this choice to view the system-board identifier, the revision level or issue date of the firmware, the integrated management module II and diagnostics code, and the version and date.

This choice is on the full UEFI Setup utility menu only.

- **System Settings**

Select this choice to view or change the compute node component settings.

- **Adapters and UEFI Drivers**

Select this choice to view information about the adapters and UEFI device drivers in the compute node.

Note: Before you configure a UEFI-compatible device, update the firmware for your compute node. See “Updating firmware and device drivers” on page 21 for information about how to update the firmware for your compute node.

To configure a UEFI-compatible expansion adapter, complete the following steps:

1. Select **Please refresh this page first** and press Enter.
2. Select the device driver that you want to configure, and press Enter.
3. When you have finished changing settings, press Esc to exit from the program; select **Save** to save the settings that you have changed.

- **Processors**

Select this choice to view or change the microprocessor settings.

- **Memory**

Select this choice to view or change the memory settings.

If a memory error is detected during POST or memory configuration, the compute node automatically disables the failing pair of memory connectors and continues operating with reduced memory. After the problem is corrected, you must manually enable the memory connectors. Select **System Memory Details** and use the arrow keys to highlight the pair of memory connectors that you want to enable; then, set the connectors to **Enable**.

- **Devices and I/O Ports**

Select this choice to view or change assignments for devices and input/output (I/O) ports. You can configure the remote console redirection and enable or disable integrated Ethernet controllers. If you disable a device, it cannot be configured, and the operating system cannot detect it (disabling a device is equivalent to disconnecting the device).

You can also choose to enable or disable adapter option ROM support. Disabling support can potentially improve the time it takes the compute node to start.

- **Power**

Select this choice to view or change the power scheme settings.

- **Operating Modes**
Select this choice to determine operational settings, such as operating mode (acoustic, efficiency, or performance) and memory speed.
- **Legacy Support**
Select this choice to view or set legacy support.
- **Force Legacy Video on Boot**
Select this choice to enable or disable force INT video support, if the operating system does not support UEFI video output standards. The default is **Enable**.
- **Rehook INT**
Select this choice to enable or disable devices from taking control of the boot process. The default is **Disable**.
- **Legacy Thunk Support**
Select this choice to enable or disable UEFI to interact with PCI mass storage devices that are not UEFI compliant. The default is **Enable**.
- **Infinite Boot Retry**
Select this choice to enable or disable UEFI to infinitely retry the legacy boot order.
- **Non-Planar PXE**
Select this choice to enable or disable non-system-board PXE for legacy mode.
- **System Security**
Select this choice to view or change the security options for Trusted Platform Module (TPM).
- **Integrated Management Module**
Select this choice to view or change the settings for the integrated management module II (IMM2).
 - **Commands on USB Interface**
Select this choice to specify whether the Ethernet over USB interface is enabled or disabled.

Note: This option is primarily for older operating systems that have problems with USB communications device class (CDC) Ethernet interfaces. Disabling this option will cause the following issues:
 - Online update packages will not work.
 - Updates that use Bootable Media Creator (BoMC) will not work because BoMC uses the LAN over USB interface.
 - You must install the IPMI device driver to use the Advanced Settings Utility (ASU) to change the IMM2 or UEFI configuration.
 - You cannot set the IMM2 OS loader watchdog.
 - **Network Configuration**
Select this choice to view the system-management network interface port, IMM2 MAC address, current IMM2 IP address, and host name; define the static IMM2 IP address, subnet mask, and gateway address; specify whether to use the static IP address or have DHCP assign the IMM2 IP address; save the network changes; and reset the IMM2.
 - **Reset IMM to Defaults**
Select this choice to restore the IMM2 to the manufacturing default settings. The IMM2 controller restarts after you restore the settings.
 - **Reset IMM**
Select this choice to restart the IMM2 controller.
- **Recovery**

Select this choice to view or change the system recovery parameters.

- **POST Attempts**

Select this choice to define the number of times to attempt POST before invoking the recovery procedures. For more information, see “Nx boot failure” on page 28.

- **System Recovery**

Select this choice to configure the recovery settings.

- **POST Watchdog Timer**

Select this choice to view or enable the POST watchdog timer.

- **POST Watchdog Timer Value**

Select this choice to view or set the POST loader watchdog timer value.

- **Reboot System on NMI**

Select this choice to enable or disable restarting the system whenever a nonmaskable interrupt (NMI) occurs. The default is **Disable**.

- **Storage**

Select this choice to view or change the storage device settings.

- **Network**

Select this choice to view or change the network device options, such as iSCSI.

- **Driver Health**

Select this choice to view the health status of the controllers as reported by the device drivers. You can select to perform a repair action on a device driver.

- **Date and Time**

Select this choice to set the date and time for the compute node. The date is set in *month/day/year* format. The time is set in 24-hour format (*hour:minute:second*).

This choice is on the full UEFI Setup utility menu only.

- **Start Options**

Select this choice to view or change the startup sequence. The startup sequence specifies the order in which the compute node checks devices to find a boot record. The compute node starts from the first boot record that it finds. If the compute node has an optional I/O adapter with Wake on LAN (WOL) installed, WOL software, and the operating system supports Wake on LAN functions, you can specify a startup sequence for the Wake on LAN functions. For example, you can define a startup sequence that checks for a disc in the CD or DVD drive, then checks the hard disk drive, and then checks a network adapter.

This choice is on the full UEFI Setup utility menu only.

- **Boot Manager**

Select this choice to view, add, delete, or change the device boot priority, boot from a file, select a one-time boot, or reset the boot order to the default setting.

Select **Boot Modes** to view or change the boot settings. You can set the boot mode and choose UEFI operating-system support only, legacy operating-system support only, or UEFI and legacy operating-system support.

Note: If you select the legacy-only boot mode (which makes boot time much faster), you will not be able to activate any Features on Demand (FoD) keys.

- **System Event Logs**

Select this choice to access the System Event Manager, where you can view the POST event log and the system-event log.

The POST event log contains the three most recent error codes and messages that were generated during POST.

The system-event log contains POST and system management interrupt (SMI) events and all events that are generated by the baseboard management controller that is embedded in the integrated management module II.

Important: If the system-error LED on the front of the compute node is lit but there are no other error indications, clear the system-event log. Also, after you complete a repair or correct an error, clear the system-event log to turn off the system-error LED on the front of the compute node.

- **POST Event Viewer**

Select this choice to enter the POST event viewer to view the UEFI diagnostic codes.

- **System Event Log**

Select this choice to view the system-event log.

- **Clear System Event Log**

Select this choice to clear the system-event log.

- **User Security**

Select this choice to set, change, or clear passwords.

You can set, change, and delete a power-on password and an administrator password through this selection. If you set a power-on password, you must type the power-on password to complete the system startup and to have access to the Configuration/Setup utility menu.

You can use any combination of up to from 6 to 20 characters (A - Z, a - z, and 0 - 9) for passwords. Keep a record of your password in a secure place.

If you forget the power-on password, you can regain access to the compute node by using the power-on password override switch (see “System-board switches” on page 18).

Attention: If you set an administrator password and then forget it, there is no way to change, override, or remove it. You must replace the system board.

You can also regain access to the compute node by removing the CMOS battery and then reinstalling it (see “Removing the CMOS battery” on page 893 and “Installing the CMOS battery” on page 894).

Important: Removing the CMOS battery clears the settings in CMOS memory.

- **Save Settings**

Select this choice to save the changes that you have made in the settings.

- **Restore Settings**

Select this choice to cancel the changes that you have made in the settings and restore the previous settings.

- **Load Default Settings**

Select this choice to cancel the changes that you have made in the settings and restore the manufacturing default settings.

- **Exit Setup**

Select this choice to exit from the Setup utility. If you have not saved the changes that you have made in the settings, you are asked whether you want to save the changes or exit without saving them.

Nx boot failure

Configuration changes, such as added devices or adapter firmware updates, and firmware or application code problems can cause the compute node to fail the power-on self-test (POST).

If the compute node fails POST, it responds in either of the following ways:

- The compute node restarts automatically and attempts POST again.
- The compute node hangs and you must manually restart the compute node for the compute node to attempt POST again.

After a specified number of consecutive attempts (automatic or manual), the Nx boot failure feature causes the compute node to revert to the default UEFI configuration and start the Setup utility, so that you can make the necessary corrections to the configuration and restart the compute node. If the compute node is unable to successfully complete POST with the default configuration, there might be a problem with the system board.

To specify the number of consecutive restart attempts that will trigger the Nx boot failure feature in the Setup utility, click **System Settings → Recovery → Post Attempts**. The available options are 3, 6, 9 and Disable.

Setting the boot protocol to boot from legacy devices using the Setup utility

To use the Setup utility to configure the boot protocol to boot from a non-UEFI legacy network device for all PXE boot attempts, complete the following steps:

Note: This option disables UEFI ROMs from loading and enables the compute node to boot in legacy mode only.

- Step 1. Connect a keyboard, monitor, and mouse to the console breakout cable and connect the console breakout cable to the compute node.
- Step 2. Turn on the compute node (see “Turning on the compute node” on page 15).
- Step 3. When the prompt Press <F1> Setup is displayed, press F1. If you have set an administrator password, you must type the administrator password to access the full Setup utility menu. If you do not type the administrator password, a limited Setup utility menu is available.
- Step 4. From the Setup utility main menu, select **Boot Manager**.
- Step 5. Select **Boot Modes**; then select **Legacy Only**.
- Step 6. Press Esc twice to return to the Boot Manager menu.
- Step 7. Select **Change Boot Order** and move the non-UEFI legacy network device to the top of the boot order.
- Step 8. Press Esc twice to return to the Setup utility main menu.
- Step 9. Select **Save Settings** and then select **Exit Setup**.

To use the Setup utility to configure the boot protocol to boot from a non-UEFI legacy network device for the next boot only, complete the following steps:

- Step 1. Connect a keyboard, monitor, and mouse to the console breakout cable and connect the console breakout cable to the compute node.
- Step 2. Turn on the compute node (see “Turning on the compute node” on page 15).
- Step 3. When the prompt Press <F1> Setup is displayed, press F1. If you have set an administrator password, you must type the administrator password to access the full Setup utility menu. If you do not type the administrator password, a limited Setup utility menu is available.
- Step 4. From the Setup utility main menu, select **Boot Manager**.
- Step 5. Select **Add Boot Option**; then select **Generic Boot Option**.
- Step 6. Select **Legacy Only**.
- Step 7. Press Esc three times to return to the Setup utility main menu.

Step 8. Select **Save Settings** and then select **Exit Setup**.

Using the Boot Selection Menu program

The Boot Selection Menu program is a built-in, menu-driven configuration utility program that you can use to temporarily redefine the first startup device without changing settings in the Setup utility.

To use the Boot Selection Menu program, complete the following steps:

- Step 1. Connect a keyboard, monitor, and mouse to the console breakout cable, and connect the console breakout cable to the compute node.
- Step 2. Turn on the compute node (see “Turning on the compute node” on page 15).
- Step 3. Press F12 (**Select Boot Device**). If a bootable USB mass storage device is installed, a submenu item (**USB Key/Disk**) is displayed.
- Step 4. Use the Up Arrow and Down Arrow keys to select an item from the Boot Selection Menu and press **Enter**.

The next time the compute node starts, it returns to the startup sequence that is set in the Setup utility.

Note: If no functioning boot device is available, the system would shut down automatically after 50 failed booting attempts.

Updating the Universally Unique Identifier (UUID) and DMI/SMBIOS data with vital product data

After the system board is replaced, you must update the Universally Unique Identifier (UUID) and DMI/SMBIOS data with vital product data (VPD).

You can use the Advanced Settings Utility (ASU) and any of the following access methods:

- Locally (in-band)
 - Through the Keyboard Controller Style (KCS) interface
 - Through the LAN over USB interface
- Remotely over a LAN

You can use the ASU under any supported operating system, or you can use the Bootable Media Creator or a Windows- or Linux-based toolkit to create bootable media that contains the ASU. For information about the ASU and instructions for downloading and unpacking the ASU code, see <https://support.lenovo.com/us/en/documents/LNVO-ASU> and the *Advanced Settings Utility User's Guide*.

The following sections provide instructions for updating the UUID and DMI/SMBIOS data, using the different methods for accessing the IMM2. The following conventions apply to the command syntax:

- Variables are shown in *italics*.
- Optional parameters are enclosed in brackets ([]). Do not type the brackets in the commands. If you omit an optional parameter, the default is used.
- Although the command syntax is shown in mixed case, the commands are not case sensitive.

Locally: Keyboard Controller Style (KCS)

This access method uses the IPMI/KCS interface. The IPMI driver must be installed; with some operating systems, the IPMI driver is installed by default. The ASU provides the corresponding mapping layer.

To update the UUID, in the ASU command-line interface, enter the following command:

```
asu set SYSTEM_PROD_DATA.SysInfoUUID uuid
```

where *uuid* is the user-assigned hexadecimal value, up to 16 bytes, that identifies the compute node.

To update the DMI/SMBIOS data, complete the following steps:

Step 1. In the ASU command-line interface, enter the following command:

```
asu set SYSTEM_PROD_DATA.SysInfoProdName xxxxyyy
```

Important: The default machine type and model number in the system-board firmware might not be the machine type and model number of the compute node. Make sure that you enter the correct machine type and model number.

where:

xxxx

is the 4-digit machine type of the compute node.

yyy

is the 3-digit model number of the compute node.

Step 2. Enter the following command:

```
asu set SYSTEM_PROD_DATA.SysInfoSerialNum zzzzzzz
```

where *zzzzzzz* is the 7-character serial number of the compute node.

Step 3. Enter the following command:

```
asu set SYSTEM_PROD_DATA.SysEncloseAssetTag  
aaaaaaaaaaaaaaaaaaaaaaaaaaaaaaaaaaaa
```

where *aaaaaaaaaaaaaaaaaaaaaaaaaaaaaaaaaaaa* is the 33-character asset tag number of the compute node.

Locally: LAN over USB

If you omit any optional parameter, the default value is used. If one or more default values are used and the ASU cannot access the IMM2 by using the LAN over USB access method, the ASU automatically uses the KCS access method.

To update the UUID, in the ASU command-line interface, enter the following command:

```
asu set SYSTEM_PROD_DATA.SysInfoUUID uuid  
[-user userid][-password password]
```

where:

uuid

is the user-assigned hexadecimal value, up to 16 bytes, that identifies the compute node.

userid

is the IMM2 account name (1 of 12 accounts). The default is USERID.

password

is the IMM2 account password (1 of 12 accounts). The default is PASSWORD (with a zero, not the letter O).

To update the DMI/SMBIOS data, complete the following steps:

Step 1. In the ASU command-line interface, enter the following command:

```
asu set SYSTEM_PROD_DATA.SysInfoProdName xxxxyyy  
[-user userid][-password password]
```

Important: The default machine type and model number in the system-board firmware might not be the machine type and model number of the compute node. Make sure that you enter the correct machine type and model number.

where:

xxxx
is the 4-digit machine type of the compute node.

yyy
is the 3-digit model number of the compute node.

userid
is the IMM2 account name (1 of 12 accounts). The default is USERID.

password
is the IMM2 account password (1 of 12 accounts). The default is PASSWORD (with a zero, not the letter O).

Step 2. Enter the following command:

```
asu set SYSTEM_PROD_DATA.SysInfoSerialNum zzzzzzz  
[-user userid][-password password]
```

where *zzzzzzz* is the 7-character serial number of the compute node.

Step 3. Enter the following command:

```
asu set SYSTEM_PROD_DATA.SysEncloseAssetTag  
aaaaaaaaaaaaaaaaaaaaaaaaaaaaaaaaaaaa  
[-user userid][-password password]
```

where *aaaaaaaaaaaaaaaaaaaaaaaaaaaaaaaaaaaa* is the 33-character asset tag number of the compute node.

Remotely over a LAN

If you omit any optional parameter, the default value is used.

To update the UUID, in the ASU command-line interface, enter the following command:

```
asu set SYSTEM_PROD_DATA.SysInfoUUID uuid -host ipaddress  
[-user userid][-password password]
```

where:

uuid
is the user-assigned hexadecimal value, up to 16 bytes, that identifies the compute node.

ipaddress
is the external LAN IP address of the IMM2.

userid
is the IMM2 account name (1 of 12 accounts). The default is USERID.

password
is the IMM2 account password (1 of 12 accounts). The default is PASSWORD (with a zero, not the letter O).

To update the DMI/SMBIOS data, complete the following steps:

Step 1. In the ASU command-line interface, enter the following command:


```
asu set SYSTEM_PROD_DATA.SysInfoProdName xxxxyyy -host ipaddress
[-user userid][-password password]
```

Important: The default machine type and model number in the system-board firmware might not be the machine type and model number of the compute node. Make sure that you enter the correct machine type and model number.

where:

xxxx
is the 4-digit machine type of the compute node.

yyy
is the 3-digit model number of the compute node.

ipaddress
is the external LAN IP address of the IMM2.

userid
is the IMM2 account name (1 of 12 accounts). The default is USERID.

password
is the IMM2 account password (1 or 12 accounts). The default is PASSWORD (with a zero, not the letter O).

Step 2. Enter the following command:

```
asu set SYSTEM_PROD_DATA.SysInfoSerialNum zzzzzzz -host ipaddress
[-user userid][-password password]
```

where *zzzzzzz* is the 7-character serial number of the compute node.

Step 3. Enter the following command:

```
asu set SYSTEM_PROD_DATA.SysEncloseAssetTag
aaaaaaaaaaaaaaaaaaaaaaaaaaaaaaaaaaaa -host ipaddress
[-user userid][-password password]
```

where *aaaaaaaaaaaaaaaaaaaaaaaaaaaaaaaaaaaa* is the 33-character asset tag number of the compute node.

Configuring a RAID array

Use this information to configure a RAID array.

Configuring a RAID array applies only to a compute node in which two or more hard disk drives are installed.

Note: When you configure a RAID array, the hard disk drives must use the same type of interface and must have identical capacity and speed.

RAID level-0 (striping) can be configured on a compute node with a single hard disk drive installed. A minimum of two disk drives must be installed to implement and manage RAID level-1 (mirroring) arrays in operating systems that are listed on the ServerProven list at <http://www.lenovo.com/serverproven/>. For the compute node, you must configure the RAID by using the LSI Configuration Utility program.

If an optional RAID expansion adapter is installed, you can use it to control all of the hard disk drives that are installed in the compute node. See the documentation that comes with the expansion adapter for information about how to configure the RAID array.

Important: You must create the RAID array *before* you install the operating system on the compute node.

You can use the LSI Logic Configuration Utility program to configure the hard disk drives and the SAS controller. To start the LSI Logic Configuration Utility, see “Using the LSI Logic Configuration Utility” on page 34.

Using the LSI Logic Configuration Utility

Use these instructions to start the LSI Logic Configuration Utility.

You can use the LSI Logic Configuration Utility to perform the following tasks:

- Set the device boot order
- Add or remove devices from the boot list
- Manage the RAID configuration

Note: The hard disk drives in the RAID configuration must use the same type of interface and must have identical capacity and speed.

To start the LSI Logic Configuration Utility, complete the following steps:

- Step 1. Connect a keyboard, monitor, and mouse to the console breakout cable and connect the console breakout cable to the compute node.
- Step 2. Turn on the compute node (see “Turning on the compute node” on page 15).
- Step 3. When the prompt Press <F1> Setup is displayed, press F1. If you have set an administrator password, you must type the administrator password to access the full Setup utility menu. If you do not type the administrator password, a limited Setup utility menu is available.
- Step 4. From the Setup utility main menu, select **System Settings**; then select **Storage**.
- Step 5. Use the arrow keys to select the controller from the list of adapters; then, press Enter.
- Step 6. Follow the instructions on the screen to change the settings of the selected items; then, press Enter. If you select **SAS Topology** or **Advanced Adapter Properties**, additional screens are displayed.

Features on Demand

This topic provides information about Features on Demand.

Features on Demand provides optional software that is available for the compute node and other Lenovo Flex System resources. Features on Demand provides a convenient way for you to activate optional software through the Flex System Manager management software (if installed), the IMM2 interface, or the CMM web interface. Any Features on Demand software that you ordered with your compute node is preactivated and does not require manual activation.

If you did not order Features on Demand software when you ordered the compute node, you can purchase Features on Demand as you would any other optional software or hardware. Instructions for obtaining an activation key are provided with your purchase of a Features on Demand authorization code.

For information about Features on Demand, see <http://www.ibm.com/systems/x/fod/>.

Important:

1. If the compute node is configured in the Setup utility to boot in legacy mode, you must leave UEFI option ROM initialization enabled for devices for which Features on Demand feature keys are installed.
2. After you install an activation key for the first time, you might have to restart the compute node for the Feature on Demand to become active. See the documentation that comes with the software for specific activation instructions.

3. Make sure that the UEFI code, IMM2 firmware, and all other firmware in the compute node is at the level that supports the Feature on Demand software.

Chapter 3. Installing the operating system

Use these instructions to install the operating system on the compute node.

To determine which operating systems are supported, see <http://www.lenovo.com/serverproven/>.

Provisioning is the set of actions that you take to install the operating system. To install the operating system on a compute node, you can use any of the following methods:

- **Lenovo ServerGuide Setup and Installation CD**

Use the *ServerGuide Setup and Installation* CD to install a supported Microsoft Windows operating system only. To provision a compute node with an operating system by using the *ServerGuide Setup and Installation* CD, complete the following steps:

1. Download the *ServerGuide Setup and Installation* CD ISO image to a computer that is connected over the management network to the Flex System Manager management software (if installed) that is managing the compute node.
2. Connect to the Flex System Manager management software that is managing the Lenovo Flex System chassis in which the compute node is installed.
3. From Flex System Manager Chassis Manager, select the compute node. In the Actions column, select **Remote Control**.

Note: The user ID that you use to log in to Flex System Manager management software must have sufficient user permissions to manage the compute node.

4. From the Remote Control session, mount the *ServerGuide Setup and Installation* CD bootable media (using Remote Media). When the ServerGuide program prompts you to mount the operating-system image, unmount the *ServerGuide Setup and Installation* CD and mount the operating-system image. You can also install an ISO image of the operating system from an external or portable storage device, such as a USB device, by using Remote Media. For more information, see http://pic.dhe.ibm.com/infocenter/flexsys/information/topic/com.ibm.acc.8731.doc/remote_control_installing_an_operating_system_on_an_x-architecture_compute_node.html.
5. Start the compute node to boot the media and install the operating system.

- **Lenovo ToolsCenter Bootable Media Creator**

Use Lenovo ToolsCenter Bootable Media Creator to create an *Lenovo ServerGuide Setup and Installation* CD for deploying Windows operating systems and updates from UpdateXpress System Packs. For more information about the Lenovo Bootable Media Creator, see <https://support.lenovo.com/us/en/documents/LNVO-BOMC>.

To provision a compute node with an operating system by using Lenovo ToolsCenter Bootable Media Creator, complete the following steps:

1. Download Lenovo ToolsCenter Bootable Media Creator to a computer that is connected over the management network to the Flex System Manager management software (if installed) that is managing the compute node.
2. Connect to the Flex System Manager management software that is managing the Lenovo Flex System chassis in which the compute node is installed.
3. From Flex System Manager Chassis Manager, select the compute node. In the Actions column, select **Remote Control**.

Note: The user ID that you use to log in to Flex System Manager management software must have sufficient user permissions to manage the compute node.

4. From the Remote Control session, mount the *ServerGuide Setup and Installation* CD bootable media (using Remote Media). When the ServerGuide program prompts you to mount the operating-system image, unmount the *ServerGuide Setup and Installation* CD and mount the operating-system image. You can also install an ISO image of the operating system from an external or portable storage device, such as a USB device, by using Remote Media. For more information, see http://pic.dhe.ibm.com/infocenter/flexsys/information/topic/com.ibm.acc.8731.doc/remote_control_installing_an_operating_system_on_an_x-architecture_compute_node.html.
5. Start the compute node to boot the media and install the operating system.

- **Lenovo XClarity Administrator**

You can use the Lenovo XClarity Administrator (if available) to deploy operating systems and virtual images to multiple compute nodes that do not already have an operating system installed. This function allows you to deploy Red Hat Enterprise Linux (RHEL) including Kernel-based Virtual Machine (KVM), VMware vSphere Hypervisor (ESXi) with Lenovo Customization, and Microsoft Windows 2012. For more information, see <https://support.lenovo.com/us/en/documents/LNVO-XCLARIT>.

- **Flex System Manager management software**

You can use Flex System Manager management software (if installed) to deploy operating system and virtual images to multiple compute nodes that do not already have an operating system installed. This function is limited to deploying VMware ESXi and RHEL Kernel-based Virtual Machine (KVM) hypervisors to X-Architecture compute nodes. For more information, see http://pic.dhe.ibm.com/infocenter/flexsys/information/topic/com.ibm.acc.8731.doc/provisioning_a_blade_server_from_the_frm.html.

- **Lenovo ServerGuide Scripting Toolkit**

The ServerGuide Scripting Toolkit is a collection of system-configuration tools and installation scripts that you can use to deploy software to your compute node in a repeatable, predictable manner (see “Using Lenovo ServerGuide Scripting Toolkit” on page 39).

- **Operating-system installation instructions**

Download the latest operating-system installation instructions and install the operating system.

Important: The operating system in the compute node must provide USB support for the compute node to recognize and use the keyboard, mouse, and removable-media drives.

Using the ServerGuide Setup and Installation CD

The *ServerGuide Setup and Installation* CD provides software setup tools and installation tools that are designed for your compute node. The ServerGuide program detects the compute node model and optional hardware devices that are installed and uses that information during setup to configure the hardware. The ServerGuide program simplifies operating-system installations by providing updated device drivers and, in some cases, installing them automatically.

You can download a free image of the *ServerGuide Setup and Installation* CD from <http://www.ibm.com/support/entry/portal/docdisplay?indocid=SERV-GUIDE>.

In addition to the *ServerGuide Setup and Installation* CD, you must have your operating-system CD to install the operating system.

ServerGuide features

This information provides an overview of the ServerGuide features.

Features and functions can vary slightly with different versions of the ServerGuide program. To learn more about the version that you have, start the *ServerGuide Setup and Installation* CD and view the online overview. Not all features are supported on all compute node models.

The ServerGuide program has the following features:

- An easy-to-use interface
- Diskette-free setup, and configuration programs that are based on detected hardware
- Device drivers that are provided for the compute node model and detected hardware
- Operating-system partition size and file-system type that are selectable during setup

The ServerGuide program performs the following tasks:

- Sets system date and time
- Detects installed optional hardware devices and provides updated device drivers for most adapters and devices
- Provides diskette-free installation for supported Windows operating systems
- Includes an online readme file with links to tips for hardware and operating-system installation

Typical operating-system installation

This topic provides information about a typical ServerGuide operating-system installation.

The ServerGuide program can reduce the time it takes to install an operating system. It provides the device drivers that are required for your hardware and for the operating system that you are installing. This section describes a typical ServerGuide operating-system installation.

Note: Features and functions can vary slightly with different versions of the ServerGuide program.

1. After you have completed the setup process, the operating-system installation program starts. (You will need your operating-system CD to complete the installation.)
2. The ServerGuide program stores information about the compute node model, IMM2, hard disk drive controllers, and network adapters. Then, the program checks the CD for newer device drivers. This information is stored and then passed to the operating-system installation program.
3. The ServerGuide program presents operating-system partition options that are based on your operating-system selection and the installed hard disk drives.
4. The ServerGuide program prompts you to insert your operating-system CD and restart the compute node. At this point, the installation program for the operating system takes control to complete the installation.

Installing the operating system without using ServerGuide

Use this information to install the operating system on the compute node without using ServerGuide.

If you have already configured the compute node hardware and you are not using the ServerGuide program to install your operating system, you can download operating-system installation instructions for the compute node from <http://www.lenovo.com/support>.

Using Lenovo ServerGuide Scripting Toolkit

The ServerGuide Scripting Toolkit is a collection of system-configuration tools and installation scripts that you can use to deploy software to your Lenovo Flex System compute node in a repeatable, predictable manner. When the ServerGuide Scripting Toolkit is used with Lenovo ServerGuide, it provides a total solution for deploying Lenovo Flex System compute nodes in an unattended mode.

For more information about using the Lenovo ServerGuide Scripting Toolkit, see <https://support.lenovo.com/us/en/documents/LNVO-CENTER>.

Chapter 4. Accessing the IMM2

Use this information to access the IMM2 remotely using the command-line interface, serial over LAN, or web interface; or locally through the LAN over USB interface.

The integrated management module II (IMM2) is a second generation hardware control device that provides enhanced systems-management processor functions, video controller, and remote presence function in a single chip.

For more information about the IMM2, see http://publib.boulder.ibm.com/infocenter/systemx/documentation/topic/com.lenovo.sysx.imm2.doc/printable_doc.html.

Accessing the IMM2 remotely

This topic provides information about the remote systems-management capabilities.

The integrated management module II (IMM2) provides the following remote systems-management capabilities:

- **Command-line interface**

The command-line interface provides direct access to systems-management functions through the IPMI 2.0 protocol. Use the command-line interface to issue commands to control the compute node power, view system information, and identify the compute node. You can also save one or more commands as a text file and run the file as a script.

For more information about the command-line interface, see http://publib.boulder.ibm.com/infocenter/systemx/documentation/topic/com.lenovo.sysx.imm2.doc/printable_doc.html.

Note: Remote IPMI and SNMP are disabled by default. To get IPMI access so that CMM can manage IPMI/SNMP, create a local IMM user account (separate from the CMM accounts). When this local account is created, the IPMI and SNMP ports are automatically opened.

- **Serial over LAN**

Establish a Serial over LAN (SOL) connection to manage compute nodes from a remote location. You can remotely view and change the UEFI settings, restart the compute node, identify the compute node, and perform other management functions. Any standard Telnet client application can access the SOL connection.

See your operating-system documentation for information about SOL commands that you can enter by using the command-line interface.

- **Web interface**

Use the secure IMM2 web interface to perform systems-management activities within a web browser. For information about accessing the web interface, see “Logging on to the IMM2 web interface” on page 42.

Viewing the network access tag

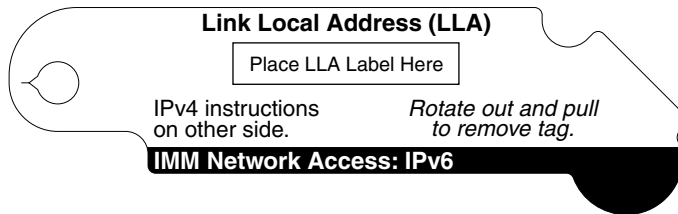
Use information on the network access tag to access the IMM2, or by using the Setup utility or systems-management software.

To access the web interface, you need the IP address of the IMM2. You can determine the IP address from information shown on the network access tag. The network access tag is attached to the front of the compute node and can be pulled to remove it from the compute node.

Note: If the network access tag is missing from the front of the compute node, you can also locate the MAC address on a label located on the bottom of the compute node.

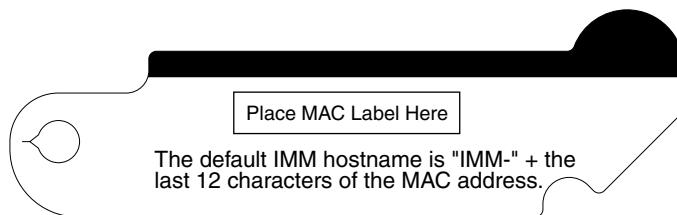
The front (top) of the network access tag lists the IPv6 link local address (LLA), as shown in the following illustration.

Front



The rear (bottom) of the network access tag lists the first of four MAC addresses assigned to the compute node IMM (used for IPv4 access), as shown in the following illustration.

Rear



The MAC address is also available through the Setup utility, the CMM **cinstatus** command, and the CMM web interface.

- For more information about the Setup utility, see "Using the Setup utility" on page 24.
- For more information about the CMM **cinstatus** command, see the "Flex System Chassis Management Module: Command-Line Interface Reference Guide" at http://pic.dhe.ibm.com/infocenter/flexsys/information/topic/com.lenovo.acc.cmm.doc/cli_command_cinstatus.html.
- From the CMM web interface, select **Compute Nodes** from the Chassis Management menu. For more information, see the "Flex System Chassis Management Module: User's Guide" at http://pic.dhe.ibm.com/infocenter/flexsys/information/topic/com.lenovo.acc.cmm.doc/cmm_user_guide.html. All fields and options are described in the CMM web interface online help.

Your network administrator can use the LLA or MAC address to determine the IP address assigned to the IMM by the DHCP server.

Logging on to the IMM2 web interface

To log on to the IMM2 web interface, complete the following steps.

Notes:

- The IMM2 user name and password must be provisioned through the CMM before being set up on the IMM. See the User Accounts page (click **Mgt Module Management > User Accounts**) in the CMM web interface or the CMM **users** command (see the "Flex System Chassis Management Module: Command-Line Interface Reference Guide" at http://pic.dhe.ibm.com/infocenter/flexsys/information/topic/com.lenovo.acc.cmm.doc/cli_command_ifconfig.html) for information

- To use tools such as Advanced Settings Utility (ASU) for out-of-band communications, you must define local user accounts from the IMM web interface. To define local user accounts from the IMM web interface, click **IMM Management → Users**. The local user accounts are valid only for accessing the IMM web interface on this compute node. However, if you back up the IMM configuration, that backup will not contain the local user accounts that were created from the IMM user interface.
- If you are logging on to the IMM2 for the first time after installation, the IMM2 defaults to Dynamic Host Configuration Protocol (DHCP). If a DHCP host is not available, the IMM2 assigns a static IP address between 192.168.70.101 and 192.168.70.114, depending on the bay in which the compute node is installed. You can also assign IP addresses using the CMM:
 - To assign IP addresses using the CMM web interface, click **Mgt Module Management → Network → Ethernet**.
 - To assign IP addresses using the CMM command-line interface, use the **ifconfig** command. For more information about the CMM **ifconfig** command, see the "Flex System Chassis Management Module: Command-Line Interface Reference Guide" at http://pic.dhe.ibm.com/infocenter/flexsys/information/topic/com.lenovo.acc.cmm.doc/cli_command_ifconfig.html.
- If the CMM and compute nodes are set to use DHCP, and the CMM loses connectivity to the network, the CMM attempts to acquire a new IP address when network connectivity is restored. The compute nodes will not attempt to acquire an IP address again and the compute node continues to use their existing IP addresses. Therefore, if you experience network problems on compute nodes after connectivity between the CMM and the network has been restored, you might need to reset the system-management processor on each of the compute nodes in the chassis (including Flex System Manager management software, if it is installed).
- The IMM2 logs you out of the web interface if your browser is inactive for the number of minutes that you have specified for the timeout period. To modify the timeout period, from the IMM web interface, click **IMM Management > User > Global Login Settings > General**.
 1. Open a web browser and in the **Address** or **URL** field, type the IP address or host name of the IMM2 to which you want to connect.
 2. On the Login page, type the CMM user name and CMM password. You are then directed to the main page of the IMM2 web interface. If you are using the IMM2 for the first time, you can obtain the user name and password from your system administrator. All login attempts are documented in the IMM event log.

IMM2 action descriptions

This topic provides information about the IMM2 functions available from the web interface.

Navigate to the top of the IMM2 window to perform activities with the IMM2. The title bar identifies the user name that is logged in. The title bar allows you to configure **Settings** for the status screen refresh rate and a custom trespass message, and **Log out** of the IMM2 web interface as shown in the following illustration. Beneath the title bar are tabs that allow you to access various IMM2 functions, as listed in Table 3 “IMM2 actions” on page 44.

For more information about the IMM2 actions, see http://publib.boulder.ibm.com/infocenter/systemx/documentation/topic/com.lenovo.sysx.imm2.doc/printable_doc.html.

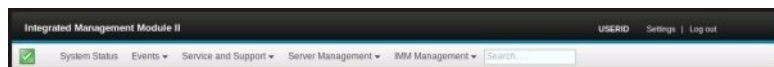


Table 3. IMM2 actions

Tab	Selection	Description
System Status		The System Status page allows you to view system status, active system events, and hardware health information. It provides quick links to the System Information, Server Power Actions, and Remote Control functions of the Server Management tab, and allows you to view an image of the last operating-system-failure screen capture.
Events	Event Log	The Event Log page displays entries that are currently stored in the IMM2 event log. The log includes a text description of system events that are reported, including information about all remote access attempts and configuration changes. All events in the log are time stamped, using the IMM2 date and time settings. Some events also generate alerts, if they are configured to do so. You can sort and filter events in the event log and export them to a text file.
	Event Recipients	The Event Recipients page allows you to manage who will be notified of system events. It allows you to configure each recipient, and manage settings that apply to all event recipients. You can also generate a test event to verify notification feature operation.
Service and Support	Problems	The Problems page allows you to view current unresolved problems that are serviceable by the Support Center. You can also view the status of each problem as related to its resolution.
	Settings	The Settings page configures your server to monitor and report service events.
	Download Service Data	The Download Service Data page creates a compressed file of information that can be used by Lenovo Support to assist you.
Server Management <i>(continued on next page)</i>	Server Firmware	The Server Firmware page displays firmware levels and allows you to update the IMM2 firmware, server firmware, and DSA firmware.
	Remote Control	The Remote Control page allows you to control the server at the operating system level. It provides access to both Remote Disk and Remote Console functionality. You can view and operate the server console from your computer, and you can mount one of your computer disk drives, such as the CD-ROM drive or the diskette drive, on the server. When you have mounted a disk, you can use it to restart the server and to update firmware on the server. The mounted disk appears as a USB disk drive that is attached to the server.
	Server Properties	The Server Properties page provides access to various properties, status conditions, and settings for your server. The following options are available from the Server Properties page: <ul style="list-style-type: none"> • The General Settings tab displays information that identifies the system to operations and support personnel. • The LEDs tab displays the status of all system LEDs. It also allows you to change the state of the location LED. • The Hardware Information tab displays server vital product data (VPD). The IMM2 collects server information, server component information, and network hardware information. • The Environmentals tab displays voltage and temperature information for the server and its components. • The Hardware Activity tab displays a history of Field Replaceable Unit (FRU) components that have been added to or removed from the system.
	Server Power Actions	The Server Power Actions page provides full remote power control over your server with power-on, power-off, and restart actions.

Table 3. IMM2 actions (continued)

Tab	Selection	Description
	Cooling Devices	The Cooling Devices page displays the current speed and status of cooling fans in the server.
	Power Modules	The Power Modules page displays power modules in the system with status and power ratings.
	Local Storage	The Local Storage page displays the physical structure and storage configuration of a storage device.
	Memory	The Memory page displays the memory modules available in the system, along with their status, type, and capacity. You can click on a module name to display an event and additional hardware information for the memory module. If you remove or replace a dual inline memory module (DIMM), the server needs to be powered on at least once after the removal or replacement to display the correct memory information.
Server Management <i>(continued)</i>	Processors	The CPUs page displays the microprocessors in the system, along with their status and clock speed. You can click on a microprocessor name to display events and additional hardware information for the microprocessor.
	Adapters	The Adapters page displays the hardware, firmware, and network adapter information for adapters installed in the server.
	Server Timeouts	The Server Timeouts page allows you to manage server start timeouts to detect and recover from server hang occurrences.
	PXE Network Boot	The PXE Network Boot page allows you to change the host server startup (boot) sequence for the next restart to attempt a Preboot Execution Environment (PXE)/Dynamic Host Configuration Protocol (DHCP) network startup. The host startup sequence will be altered only if the host is not under Privileged Access Protection (PAP).
	Latest OS Failure Screen	The Latest OS Failure Screen page displays a screen image (when available), of the most recent operating system failure on the server. For your IMM2 to capture operating system failure screens, the operating system watchdog must be enabled.
	Power Management	The Server Power Management page allows you to manage power related policies and hardware and contains the history of the amount of power used by the server.
	Scalable Complex	The Scalable Complex page allows you to view and manage a scalable complex.
IMM Management <i>(continued on next page)</i>	IMM Properties	<p>The IMM Properties page provides access to various properties and settings for your IMM2. The following options are available from the IMM Properties page:</p> <ul style="list-style-type: none"> • The Firmware tab provides a link to the Server Firmware section of Server Management. You can also enable automated promotion of the IMM2 backup firmware from this tab. • The IMM Date and Time Settings tab allows you to view and configure date and time settings for the IMM2. • The Serial Port tab configures the IMM2 serial port settings. These settings include the serial port baud rate used by the serial port redirection function and the key sequence to switch between the serial redirection and CLI modes.
	Users	The Users page configures the IMM2 login profiles and global login settings. You can also view user accounts that are currently logged in to the IMM2. Global login settings include enabling Lightweight Directory Access Protocol (LDAP) server authentication, setting the web inactivity timeout, and customizing the account security settings.

Table 3. IMM2 actions (continued)

Tab	Selection	Description
IMM Management (continued)	Network	<p>The Network Protocol Properties page provides access to networking properties, status, and settings for your IMM2:</p> <ul style="list-style-type: none"> • The Ethernet tab manages how the IMM2 communicates using Ethernet. • The SNMP tab configures the SNMPv1 and SNMPv3 agents. • The DNS tab displays the DNS servers that the IMM2 interacts with. • The DDNS tab enables or disables and configures Dynamic DNS for the IMM2. • The SMTP tab configures SMTP server information used for alerts sent via email. • The LDAP tab configures user authentication for use with one or more LDAP servers. • The Telnet tab manages Telnet access to the IMM2. • The USB tab controls the USB interface used for in-band communication between the server and the IMM2. These settings do not affect the USB remote control functions (keyboard, mouse, and mass storage). • The Port Assignments tab allows you to change the port numbers used by some services on the IMM2.
	Security	<p>The IMM Security page provides access to security properties, status, and settings for your IMM2:</p> <ul style="list-style-type: none"> • The HTTPS Server tab allows you to enable or disable the HTTPS server and manage its certificates. • The CIM Over HTTPS tab allows you to enable or disable CIM over HTTPS and manage its certificates. • The LDAP Client tab allows you to enable or disable LDAP security and manage its certificates. • The SSH Server tab allows you to enable or disable the SSH server and manage its certificates. • The Cryptography Management tab allows you to configure the IMM2 firmware to comply with the requirements of SP 800-131A.
	IMM Configuration	The IMM Configuration page displays a summary of the current IMM2 configuration settings.
	Restart IMM	The Restart IMM page allows you to reset the IMM2.
	Reset IMM to factory defaults...	<p>The Reset IMM to factory defaults... page allows you to reset the configuration of the IMM2 to the factory defaults.</p> <p>Attention: When you click Reset IMM to factory defaults..., all modifications that you have made to the IMM2 are lost.</p>
	Activation Key Management	The Activation Key Management page allows you to manage activation keys for optional IMM2 or server Features on Demand (FoD) features.

Accessing the IMM2 using the LAN over USB interface

Unlike a baseboard management controller, the IMM2 does not require IPMI device drivers or USB daemons for in-band IMM2 communication. Instead, a LAN over USB interface enables in-band communication to the IMM2; the IMM2 hardware on the system board presents an internal Ethernet interface from the IMM2 to the operating system. LAN over USB is also called the *USB in-band interface* in the IMM2 web interface.

The following table shows the IP addresses for the IMM2 and the host.

Table 4. LAN over USB addresses

IMM2 IP address	IMM2 IP subnet mask	Host address	Host subnet	Host subnet mask	Keyboard Controller Style (KCS) address
169.254.95.118	255.255.255.0	169.254.95.120	169.254.95.0/24	255.255.255.0	0x0CC0

Potential conflicts with the LAN over USB interface

In some situations, the LAN over USB interface can conflict with certain network configurations, applications, or both. For example, Open MPI attempts to use all the available network interfaces on a server or compute node. Open MPI detects the IMM2 LAN over USB interface and attempts to use it to communicate with other systems in a clustered environment. The LAN over USB interface is an internal interface, so this interface does not work for external communication with other systems in the cluster.

Resolving conflicts with the IMM2 LAN over USB interface

Use any of the following actions to resolve LAN over USB conflicts with network configurations and applications.

Use one of the following methods to resolve LAN over USB conflicts.

Note: For conflicts with Open MPI, configure the application so that it does not attempt to use this interface.

- Take down the interface (run **ifdown** under Linux).
- Remove the device driver (run **rmmmod** under Linux).
- Disable the LAN over USB interface from the CMM web interface.

Note: You cannot update the firmware for a compute node while the LAN over USB interface is disabled. Before updating the firmware, you must re-enable the interface. After updating the firmware, you can disable the interface again.

To disable the LAN over USB interface from the CMM web interface, complete the following steps.

1. Log in to the CMM web interface.
2. From the CMM web interface homepage click **Chassis Management → Compute Nodes**.
3. Click the compute node ID.
4. Click the **General** tab.
5. Uncheck **Enable Ethernet Over USB** to disable the LAN over USB interface.

Configuring the LAN over USB interface manually

An IMM2 must be configured to use the LAN over USB interface. The firmware update package or Advanced Settings Utility attempts to perform the setup automatically, if needed. If the automatic setup fails or if you prefer to set up the LAN over USB manually, use one of the following processes.

For more information about LAN over USB configuration on different operating systems, see <http://www.ibm.com/support/entry/portal/docdisplay?Indocid=MIGR-5083207>.

Installing the LAN over USB Windows device driver

When you install a Windows operating system, there might be an unknown RNDIS device in the Device Manager. Lenovo provides a Windows INF file that identifies this device. The signed version of the INF file is included in all of the Windows versions of the IMM2, UEFI, and DSA update packages. Complete the following steps to install `ibm_rndis_server_os.inf`.

To install the LAN over USB device driver for Windows, complete the following steps.

Note: You only have to perform these steps if the compute node is running a Windows operating system and the `ibm_rndis_server_os.inf` file has not been previously installed. The file only has to be installed once. It is required by Windows operating systems to detect and use the LAN over USB functionality.

Step 1. Obtain a Windows version of the server or compute node UEFI code package (see “Updating firmware and device drivers” on page 21 for more information).

Step 2. Extract the `ibm_rndis_server_os.inf` and `device.cat` files from the firmware update package and copy them to the `\WINDOWS\inf` subdirectory.

Note: You can use the `-x path` command-line interface option to extract the files. For more information about this option, see the readme file that comes with the update package.

Step 3. (Windows 2003) Install the `ibm_rndis_server_os.inf` file by right-clicking the file and clicking **Install**. This generates a PNF file of the same name in `\WINDOWS\inf`.

(Windows 2008) Click **Computer Management → Device Manager** and find the RNDIS Device. Click **Properties → Driver → Reinstall driver**. Point the server or compute node to the `\Windows\inf` directory where it can find the `ibm_rndis_server_os.inf` file and install the device.

Step 4. Click **Computer Management → Device Manager**. Right-click **Network adapters** and select **Scan for hardware changes**. A small pop-up confirms that the Ethernet device is found and installed. The New Hardware Wizard starts automatically.

Step 5. When you are prompted Can Windows connect to Windows Update to search for software?, select **No, not this time**. Click **Next** to continue.

Step 6. When you are prompted What do you want the wizard to do?, select **Install from a list or specific location (Advanced)**. Click **Next** to continue.

Step 7. When you are prompted Please choose your search and installation options, select **Don't search. I will choose the driver to install**. Click **Next** to continue.

Step 8. When you are prompted Select a hardware type, and then click Next, select **Network adapters**. Click **Next** to continue.

Step 9. When you are prompted with the statement Completing the Found New Hardware Wizard, click **Finish**. A new local area connection appears. If the message This connection has limited or no connectivity is displayed, ignore this message.

Step 10. Return to the Device Manager. **IBM USB Remote NDIS Network Device** or **Lenovo USB Remote NDIS Network Device** appears under **Network Adapters**.

Step 11. Use the Setup utility to view or set the IP address. See Table 4 “LAN over USB addresses” on page 47 for information about the IP addresses.

a. Connect a keyboard, monitor, and mouse to the console breakout cable and connect the console breakout cable to the compute node.

b. Turn on the compute node (see “Turning on the compute node” on page 15).

c. When the prompt Press <F1> Setup is displayed, press F1. If you have set an administrator password, you must type the administrator password to access the full Setup utility menu. If you do not type the administrator password, a limited Setup utility menu is available.

d. Select **System Settings® Integrated Management Module® Network Configuration**.

e. Locate the IP address.

f. Exit from the Setup utility.

Installing the LAN over USB Linux device driver

Versions of Linux since RHEL5 Update 3 and SLES10 Service Pack 2 support the LAN over USB interface by default. This interface is detected and displayed during the installation of these operating systems.

See Table 4 “LAN over USB addresses” on page 47 for information about the IP addresses.

Note: Older Linux distributions might not detect the LAN over USB interface, and might require manual configuration. For information about configuring LAN over USB on specific Linux distributions, see <http://www.ibm.com/support/entry/portal/docdisplay?indocid=MIGR-5083207>.

The IMM2 LAN over USB interface requires that the `usbnet` and `cdc_ether` device drivers be loaded. If the drivers have not been installed, use **modprobe** to install them. When these drivers are installed, the IMM2 USB network interface is shown as a network device in the operating system. To discover the name that the operating system has assigned to the IMM2 USB network interface, type:

```
dmesg | grep -i cdc ether
```

Chapter 5. Parts listing, Types 9532 and 2951

The following replaceable components are available for the Lenovo Flex System x240 M5 Compute Node Types 9532 and 2951.

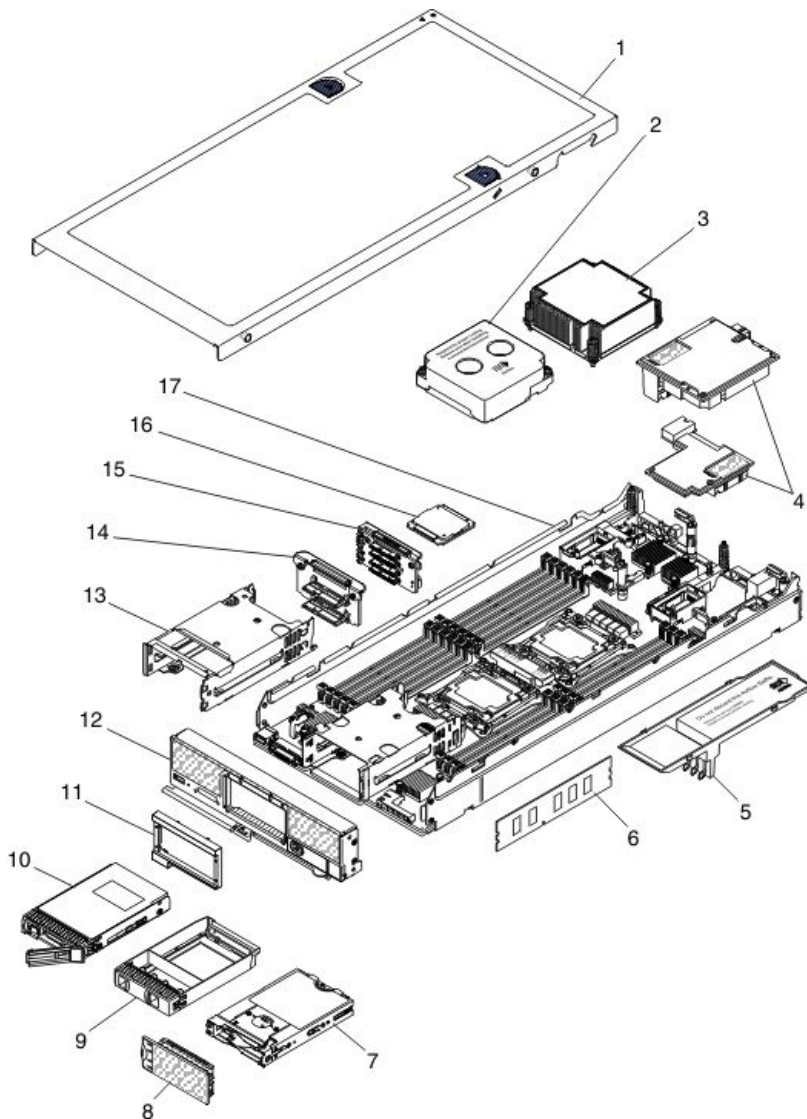
For an updated parts listing on the web, go to <http://www.lenovo.com/support>.

The system service label, which is on the cover of the server, provides a quick response (QR) code for mobile access to service information. You can scan the QR code using a QR code reader and scanner with a mobile device and get quick access to the Lenovo® Service Information website. The Lenovo Service Information website provides additional information for parts installation and replacement videos, and error codes for server support.

The following illustration shows the QR code for the Lenovo Flex System x240 M5 compute node.



Note: The illustrations in this document might differ slightly from your hardware.



Replaceable components consist of consumable parts, structural parts, and customer replaceable units (CRUs):

- **Consumable parts:** Purchase and replacement of consumable parts (components such as printer cartridges, that have depletable life) is your responsibility. If Lenovo acquires or installs a consumable part at your request, you will be charged for the installation.
- **Structural parts:** Purchase and replacement of structural parts (components such as the top cover) is your responsibility. If Lenovo acquires or installs a structural part at your request, you will be charged for the installation.
- **Tier 1 customer replaceable unit (CRU):** Replacement of Tier 1 CRUs is your responsibility. If Lenovo installs a Tier 1 CRU at your request without a service contract, you will be charged for the installation.
- **Tier 2 customer replaceable unit:** You may install a Tier 2 CRU yourself or request Lenovo to install it, at no additional charge, under the type of warranty service that is designated for your compute node.

For information about the terms of the warranty and getting service and assistance, see the *Warranty Information* document.

Table 5. Parts listing, Types 9532 and 2951

Index	Description	CRU part number (Tier 1)	CRU part number (Tier 2)
3	Heat sink, front microprocessor (use with microprocessors that are less than 135W)		00AE666
3	Heat sink (vapor chamber), front microprocessor (use with microprocessors that are 135W or higher)		00KJ000
3	Heat sink, rear microprocessor (use with microprocessors that are less than 135W)		00AE667
3	Heat sink (vapor chamber), rear microprocessor (use with microprocessors that are 135W or higher)		00KJ001
4	Flex System Broadcom 10Gb NIC Adapter (option)	00AG532	
4	Flex System EN6132 2-Port 40 Gb Ethernet Adapter (option)	90Y3485	
4	Flex System CN4054 4-port 10 Gb Virtual Fabric Adapter (option)	90Y3557	
4	Flex System IB6132 2-port FDR Infiniband Adapter (option)	00D8532	
4	Flex System CN4022 2-Port 10 Gb Converged Network Adapter (option)	88Y5922	
4	Flex System CN4052 2-port 10Gb Virtual Fabric Adapter (option)	00JY803	
4	Flex System CN4052R 2-port 10Gb Virtual Fabric Adapter (option)	00AG543	
4	Flex System CN4054S 4-port 10Gb Virtual Fabric Adapter (option)	00AG593	
4	Flex System CN4058 8-Port 10 Gb Virtual Fabric Adapter (option)	94Y5163	
4	Flex System CN4054R 10 Gb Virtual Fabric Adapter (option)	00MN789	
4	Flex System 4-port 1 Gb FC Adapter (option)	49Y7902	
4	Flex System FC3172 2-port 8 Gb FC Adapter (option)	69Y1941	
4	Flex System FC5172 2-Port 16 Gb FC Adapter (option)	69Y1945	
4	Flex System 2-port 8 Gb FC Adapter (option)	00MN779	
4	Flex System FC5024D 4-port 16 Gb FC Adapter (option)	95Y2382	
4	Flex System FC5052 2-Port 16 Gb Network Adapter (option)	00Y5635	
4	Flex System FC5054 4-Port 16 Gb Network Adapter (option)	00Y5637	
4	Flex System FC5022 2-Port 16 Gb FC Adapter (option)	95Y2396	
4	io3 1.25TB Enterprise Mainstream Flash Adapter	00YA801	
4	io3 1.6TB Enterprise Mainstream Flash Adapter	00YA804	
4	io3 3.2TB Enterprise Mainstream Flash Adapter	00YA807	
4	io3 6.4TB Enterprise Mainstream Flash Adapter	00YA810	
4	P3700 1.6TB Enterprise Performance NVMe Flash Adapter	00YA813	
4	P3700 2TB Enterprise Performance NVMe Flash Adapter	00YA816	
4	Flex System EN2024 4-port 1 Gb Ethernet Adapter	49Y7902	
6	Memory, 32 GB (2Rx4, 8 Gbit, 1.2 V) PC4-17000 TruDDR4 2133 MHz, RDIMM	95Y4810	
6	Memory, 32 GB (2Rx4, 4 Gbit, 1.2V) PC4-17000 TruDDR4 2133 MHz LRDIMM	46W0802	
6	Memory, 64GB (4Rx4, 8 Gbit, 1.2V) PC4-17000 TruDDR4 2133MHz LRDIMM	95Y4814	

Table 5. Parts listing, Types 9532 and 2951 (continued)

Index	Description	CRU part number (Tier 1)	CRU part number (Tier 2)
6	Memory, 8GB (1Rx4, 1.2V) PC4-19200 CL17 TruDDR4 2400MHz LP RDIMM	46W0823	
6	Memory, 8GB (2Rx8, 1.2V) PC4-19200 CL17 TruDDR4 2400MHz LP RDIMM	46W0827	
6	Memory, 16GB (2Rx4, 1.2V) PC4-19200 CL17 TruDDR4 2400MHz LP RDIMM	46W0831	
6	Memory, 32GB (2Rx4, 1.2V) PC4-19200 CL17 TruDDR4 2400MHz LP RDIMM	46W0835	
7	Mounting sleeve, 1.8 inch solid-state drive (option)	00AE672	
8	Filler, 1.8 inch solid-state drive (option)	00AE677	
10	Hard disk drive, 2.5 inch hot-swap SAS 146 GB 15K 6 Gbps (option)	42D0678	
10	Hard disk drive, 2.5 inch hot-swap SATA 250 GB 6 Gbit NL (option)	81Y9723	
10	Hard disk drive, 2.5 inch hot-swap SAS 300 GB, 10K 6 Gbps (option)	42D0638	
10	Hard disk drive, 2.5 inch hot-swap SAS 300 GB 15K 6 Gbps (option)	81Y9671	
10	Hard disk drive, 2.5 inch hot-swap SAS 300 GB 15K 6 Gbps (option)	00AJ082	
10	Hard disk drive, 2.5 inch hot-swap SAS 500 GB 6 Gbps NL (option)	42D0708	
10	Hard disk drive, 2.5 inch hot-swap SATA 500 GB 6 Gbit NL (option)	81Y9727	
10	Hard disk drive, 2.5 inch hot-swap SAS 600 GB, 10K 6 Gbps (option)	49Y2004	
10	Hard disk drive, 2.5 inch hot-swap SAS 900 GB 10K 6 Gbps (option)	81Y9651	
10	Hard disk drive, 2.5 inch hot-swap SAS 1 TB 6 Gbps NL (option)	81Y9691	
10	Hard disk drive, 2.5 inch hot-swap SATA 1 TB 7200 6 Gbit NL (option)	81Y9731	
10	Hard disk drive, 2.5 inch hot-swap SAS 1 TB 7200 12 Gbit NL (option)	00NA492	
10	Hard disk drive, 2.5 inch hot-swap SAS 2 TB 7200 12 Gbit NL (option)	00NA497	
10	Hard disk drive, 2.5 inch SAS 300 GB 15K 12 Gbit (option)	00WG661	
10	Hard disk drive, 2.5 inch SAS 600 GB 15K 12 Gbit (option)	00WG666	
10	Hard disk drive, 2.5 inch SAS 300 GB 10K 12 Gbit (option)	00WG686	
10	Hard disk drive, 2.5 inch SAS 600 GB 10K 12 Gbit (option)	00NA242	
10	Hard disk drive, 2.5 inch SAS 600 GB 10K 12 Gbit (option)	00WG691	
10	Hard disk drive, 2.5 inch SAS 900 GB 10K 12 Gbit (option)	00WG696	
10	Hard disk drive, 2.5 inch SAS 300 GB 10K 6 Gbit (option)	00WG701	
10	Hard disk drive, 2.5 inch SAS 1.2 TB 10K 12 Gbit (option)	00AJ097	
10	Solid state drive, 1.8 inch SATA 50 GB SMART SSD (option)	43W7729	
10	Solid state drive, 2.5 inch hot-swap SATA 128 GB SFF Slim SSD (option)	90Y8649	
10	Solid state drive, 2.5 inch SATA 200 GB SFF Slim SSD (option)	43W7721	
10	Solid state drive, 1.8 inch SATA 200 GB SMART E-MLC SSD (option)	40K6897	
10	Solid state drive, 2.5 inch SATA 256 GB SFF Slim SSD (option)	90Y8644	
10	Solid state drive, 2.5 inch SATA 120 GB (option)	00WG621	
10	Solid state drive, 2.5 inch SATA 240 GB (option)	00WG626	
10	Solid state drive, 2.5 inch SATA 420 GB (option)	00WG631	

Table 5. Parts listing, Types 9532 and 2951 (continued)

Index	Description	CRU part number (Tier 1)	CRU part number (Tier 2)
10	Solid state drive, 2.5 inch SATA 800 GB (option)	00WG636	
10	Solid state drive, 2.5 inch SAS 300 GB 10K 12 Gbit SED (option)	00WG706	
10	Solid state drive, 2.5 inch SAS 600 GB 10K 12 Gbit SED (option)	00WG711	
10	Solid state drive, 2.5 inch SAS 900 GB 10K 12 Gbit SED (option)	00WG716	
10	Solid state drive, 2.5 inch SAS 1.2 TB 10K 12 Gbit SED (option)	00WG721	
10	Solid state drive, 2.5 inch SATA 200 GB (option)	00YC321	
10	Solid state drive, 2.5 inch SATA 400 GB (option)	00YC326	
10	Solid state drive, 2.5 inch SATA 800 GB (option)	00YC331	
10	Solid state drive, 2.5 inch SATA 200 GB (option)	00YC351	
10	Solid state drive, 2.5 inch SATA 120 GB (option)	00YC386	
10	Solid state drive, 2.5 inch SATA 240 GB (option)	00YC391	
10	Solid state drive, 2.5 inch SATA 480 GB (option)	00YC396	
10	Solid state drive, 2.5 inch SATA 960 GB (option)	00YC401	
10	Solid state drive, 2.5 inch NVME 400GB (option)	90Y3228	
10	Solid state drive, 2.5 inch NVME 800GB (option)	90Y3231	
10	Solid state drive, 2.5 inch NVME 1.6TB (option)	90Y3234	
10	Solid state drive, 2.5 inch NVME 2TB (option)	90Y3237	
11	Bezel, front assembly	00KF185	
11	Bezel, 1.8 inch solid-state drive (option)	00KF186	
11	Bezel, solid-state drive (option)	00KJ138	
12	Front Panel	00KJ149	
12	Front Panel	00KJ150	
14	Hard disk drive backplane	00MV292	
15	Hard disk drive backplane, 1.8 inch solid-state drive (option)	00MV293	
15	NVMe Enterprise PCIe SSD Enablement Kit for Flex System x240 M5 (option)	00MV294	
16	Intel Xeon Processor E5-2697V3 14C 2.6 GHz 35 MB Cache DDR4 2133 MHz 145W		00AE680
16	Intel Xeon Processor E5-2695V3 14C 2.3 GHz 35 MB Cache DDR4 2133 MHz 120W		00AE681
16	Intel Xeon Processor E5-2690V3 12C 2.6 GHz 30 MB Cache DDR4 2133 MHz 135W		00AE682
16	Intel Xeon Processor E5-2680V3 12C 2.5 GHz 30 MB Cache DDR4 2133 MHz 120W		00AE683
16	Intel Xeon Processor E5-2670V3 12C 2.3 GHz 30 MB Cache DDR4 2133 MHz 120W		00AE684
16	Intel Xeon Processor E5-2660V3 10C 2.6 GHz 25 MB Cache DDR4 2133 MHz 105W		00AE685

Table 5. Parts listing, Types 9532 and 2951 (continued)

Index	Description	CRU part number (Tier 1)	CRU part number (Tier 2)
16	Intel Xeon Processor E5-2650V3 10C 2.3 GHz 25 MB Cache DDR4 2133 MHz 105W		00AE686
16	Intel Xeon Processor E5-2650L V3 12C 1.8 GHz 30 MB Cache DDR4 2133 MHz 65W		00AE687
16	Intel Xeon Processor E5-2640V3 8C 2.6 GHz 20 MB Cache DDR4 1866 MHz 90W		00AE688
16	Intel Xeon Processor E5-2630V3 8C 2.4 GHz 20 MB Cache DDR4 1866 MHz 85W		00AE689
16	Intel Xeon Processor E5-2620V3 6C 2.4 GHz 15 MB Cache DDR4 1866 MHz 85W		00AE690
16	Intel Xeon Processor E5-2630LV3 8C 1.8 GHz 20 MB Cache DDR4 1866 MHz 55W		00AE691
16	Intel Xeon Processor E5-2609V3 6C 1.9 GHz 15 MB Cache DDR4 1600 MHz 85W		00AE692
16	Intel Xeon Processor E5-2603V3 6C 1.6 GHz 15 MB Cache DDR4 1600 MHz 85W		00AE693
16	Intel Xeon Processor E5-2667V3 8C 3.2 GHz 20 MB Cache DDR4 2133 MHz 135W		00AE694
16	Intel Xeon Processor E5-2643V3 6C 3.4 GHz 20 MB Cache DDR4 2133 MHz 135W		00AE695
16	Intel Xeon Processor E5-2637V3 4C 3.5 GHz 15 MB Cache DDR4 2133 MHz 135W		00AE696
16	Intel Xeon Processor E5-2699V3 18C 2.3 GHz 45 MB Cache 2133 MHz 145W		00KJ033
16	Intel Xeon Processor E5-2658V3 12C 2.2 GHz 30 MB Cache 2133 MHz 105W		00KJ034
16	Intel Xeon Processor E5-2698V3 16C 2.3 GHz 40 MB Cache 2133 MHz 135W		00KJ035
16	Intel Xeon Processor E5-2685V3 12C 2.6 GHz 30 MB Cache 2133 MHz 120W		00KJ036
16	Intel Xeon Processor E5-2683V3 14C 2.0 GHz 35 MB Cache 2133 MHz 120W		00KJ037
16	Intel Xeon Processor E5-2623V3 4C 3.0 GHz 10 MB Cache 1866 MHz 75W		00KJ038
16	Intel Xeon Processor E5-2648L V3 12C 1.8 GHz 30 MB Cache 2133 MHz 75W		00KJ039
16	Intel Xeon Processor E5-2628L V3 10C 2.0 GHz 25 MB Cache 1866 MHz 75W		00KJ040
16	Intel Xeon Processor E5-2618L V3 8C 2.3 GHz 20 MB Cache 1866 MHz 75W		00KJ041
16	Intel Xeon Processor E5-2608L V3 6C 2.0 GHz 15 MB Cache 1866 MHz 52W		00KJ042
16	Intel Xeon Processor E5-2698 V4 20C 2.1 GHz 50MB Cache 2400 MHz 135W		00MW771
16	Intel Xeon Processor E5-2695 V4 18C 2.1 GHz 45MB Cache 2400 MHz 120W		00MW772

Table 5. Parts listing, Types 9532 and 2951 (continued)

Index	Description	CRU part number (Tier 1)	CRU part number (Tier 2)
16	Intel Xeon Processor E5-2683 V4 16C 2.1 GHz 40MB Cache 2400 MHz 120W		00MW774
16	Intel Xeon Processor E5-2667 V4 8C 3.4 GHz 25MB Cache 2400 MHz 135W		00MW776
16	Intel Xeon Processor E5-2650L V4 14C 1.5 GHz 35MB Cache 2400 MHz 65W		00MW777
16	Intel Xeon Processor E5-2643 V4 6C 3.5 GHz 20MB Cache 2400 MHz 135W		00MW778
16	Intel Xeon Processor E5-2637 V4 4C 3.4 GHz 15MB Cache 2400 MHz 135W		00MW779
16	Intel Xeon Processor E5-2630L V4 10C 1.7 GHz 25MB Cache 2133 MHz 55W		00MW780
16	Intel Xeon Processor E5-2623 V4 4C 2.6 GHz 10MB Cache 2133 MHz 85W		00MW781
16	Intel Xeon Processor E5-2609 V4 8C 1.7 GHz 20MB Cache 1866 MHz 85W		00MW782
16	Intel Xeon Processor E5-2603 V4 6C 1.7 GHz 15MB Cache 1866 MHz 85W		00MW783
16	Intel Xeon Processor E5-2699 V4 22C 2.2 GHz 55MB Cache 2400 MHz 145W		00YD967
16	Intel Xeon Processor E5-2697 V4 18C 2.3 GHz 45MB Cache 2400 MHz 145W		00YD968
16	Intel Xeon Processor E5-2690 V4 14C 2.4 GHz 35MB Cache 2400 MHz 135W		00YD969
16	Intel Xeon Processor E5-2680 V4 14C 2.3 GHz 35MB Cache 2400 MHz 120W		00YD970
16	Intel Xeon Processor E5-2660 V4 14C 2.0 GHz 35MB Cache 2400 MHz 105W		00YD971
16	Intel Xeon Processor E5-2650 V4 12C 2.2 GHz 30MB Cache 2400 MHz 105W		00YD972
16	Intel Xeon Processor E5-2640 V4 10C 2.4 GHz 25MB Cache 2133 MHz 90W		00YD973
16	Intel Xeon Processor E5-2630 V4 10C 2.2 GHz 25MB Cache 2133 MHz 85W		00YD974
16	Intel Xeon Processor E5-2620 V4 8C 2.1 GHz 20MB Cache 2133 MHz 85W		00YD975
16	Intel Xeon Processor E5-2608L V4 8C 2.0 GHz 20MB Cache 1866 MHz 50W		00YE946
16	Intel Xeon Processor E5-2618L V4 10C 2.3 GHz 25MB Cache 2133 MHz 75W		00YE947
16	Intel Xeon Processor E5-2628L V4 12C 2.0 GHz 30MB Cache 2133 MHz 75W		00YE948
16	Intel Xeon Processor E5-2648L V4 14C 1.8 GHz 35MB Cache 2400 MHz 75W		00YE949
16	Intel Xeon Processor E5-2658L V4 14C 2.2 GHz 35MB Cache 2400 MHz 105W		00YE950
17	System-board assembly for Lenovo Flex System x240 M5 Compute Node <ul style="list-style-type: none"> • Tray, system-board • System board • Cover (with replacement instructions on label) • Filler, front microprocessor socket 		00MV291

Table 5. Parts listing, Types 9532 and 2951 (continued)

Index	Description	CRU part number (Tier 1)	CRU part number (Tier 2)
17	System-board assembly for Lenovo Flex System x240 M5 Compute Node <ul style="list-style-type: none"> • Tray, system-board • System board • Cover (with replacement instructions on label) • Filler, front microprocessor socket 		00MW807
	Flex System console breakout cable	81Y5287	
	Power Cable	44E4767	
	1M 6Gbps mini-SAS cable	00YE299	
	1M 6Gbps mini-SAS cable	00YE300	
	4M 6Gbps mini-SAS cable	00YE301	
	6M 6Gbps mini-SAS cable	00YE302	
	0.5M 6Gbps mini-SAS cable	00YE303	
	1M 7Gbps mini-SAS cable	00YE304	
	2M 8Gbps mini-SAS cable	00YE305	
	4M 9Gbps mini-SAS cable	00YE306	
	6M 10Gbps mini-SAS cable	00YE307	
	Clw/TIn V2 Flex Cable	00FE025	
	DPI C13 universal power distribution unit	39Y8914	
	SD media adapter for System x (option)	00YK624	
	32 GB SD flash memory card	00ML701	
	2 GB USB flash key (including VMWare 5.0) (option)	42D0545	
	4 GB USB flash key	00WH143	
	Adapter-retention assembly	00AE668	
	System Service label kit	00AE669	
	System service label kit	00AE670	
	Quebec label kit (option)	00Y2761	
	Microprocessor installation tool		00YJ730
	Alcohol wipes		00MP352
	Thermal grease		41Y9292
	CMOS battery, 3.0 volt (all models)	33F8354	
	RFID label tag assembly (EMEA)	00E6323	
	RFID label tag assembly (US)	74Y8800	
	Light path LED card	81Y5290	
	RID tag (compute node)	00KF228	
	ServeRAID M5100 Series super capacitor	00JY023	
	Titan Raid Card	00JX139	
	Hard disk drive backplane, ServeRAID controller	00JY707	

Table 5. Parts listing, Types 9532 and 2951 (continued)

Index	Description	CRU part number (Tier 1)	CRU part number (Tier 2)
	Expansion shelf	44E4783	
	Storage expansion node	90Y9277	
	Cover, storage expansion node	44E4786	
<p>1. Certain configurations of the Lenovo Flex System x240 M5 compute node will operate at acoustic levels significantly greater than typical Flex System levels, and the following noise hazard warning may apply:</p> <p>Important: Government regulations (such as those prescribed by OSHA or European Community Directives) may govern noise level exposure in the workplace and may apply to you and your server installation. The actual sound pressure levels in your installation depend upon a variety of factors, including the number of racks in the installation; the size, materials, and configuration of the room; the noise levels from other equipment; the room ambient temperature, and employees' location in relation to the equipment. Further, compliance with such government regulations also depends upon a variety of additional factors, including the duration of employees' exposure and whether employees wear hearing protection. You should consult with qualified experts in this field to determine whether you are in compliance with the applicable regulations.</p> <p>2. DIMMs are verified as authentic Lenovo or IBM modules (TruDDR4) by the UEFI software. If any non-authentic DIMMs are detected, an informational message appears in the system event log and memory performance might be limited. Non-authentic DIMMs are not covered by your Lenovo warranty.</p>			

Consumable and structural parts

Consumable and structural parts are not covered by the Lenovo Statement of Limited Warranty.

Table 6. Consumable and structural parts, Types 9532 and 2951

Index	Description	Part number
1	Cover (also order system service label kit 00AE669)	00AE665
2	Filler, front microprocessor socket	81Y5134
5	Air baffle over DIMMs	00JX144
9	Filler, hard disk drive bay	00FW856
13	Hard disk drive cage	00AE673
	Chassis bulkhead	94Y4869
	Front bezel assembly	00Y2899
	Miscellaneous parts kit <ul style="list-style-type: none"> • Lightbox cover • Screws • Support posts • Labels 	00AE671

To order a consumable or structural part, complete the following steps:

1. Go to <http://www.ibm.com>.
2. From the **Products** menu, select **Upgrades, accessories & parts**.
3. Click **Obtain maintenance parts**; then, follow the instructions to order the part from the retail store.

If you need help with your order, call the toll-free number that is listed on the retail parts page, or contact your local Lenovo representative for assistance.

Chapter 6. Troubleshooting

Use this information to diagnose and correct problems that might occur in your Lenovo Flex System x240 M5 compute node.

The information in this section describes tools and procedures for solving hardware and software problems. If you cannot diagnose and correct a problem by using the information, see *Troubleshooting the Flex System* (<http://pic.dhe.ibm.com/infocenter/flexsys/information/index.jsp?topic=%2Fcom.ibm.acc.common.nav.doc%2Ftroubleshooting.html>) and Appendix A “Getting help and technical assistance” on page 957 for more information.

Service bulletins

Lenovo continually updates the support website with tips and techniques that you can use to solve problems that you might have with the Lenovo Flex System x240 M5 compute node.

To find service bulletins that are available for the Lenovo Flex System x240 M5 compute node, go to <http://www.lenovo.com/support> and search for the terms 9532 or 2591 and retain.

Diagnostic tools

Use this information to review the diagnostic tools to diagnose and solve hardware-related problems.

Light path diagnostics

Use this information as an overview of light path diagnostics.

Light path diagnostics is a system of LEDs above the control panel and on various internal components of the compute node. When an error occurs, LEDs can be lit throughout the compute node to help identify the source of the error.

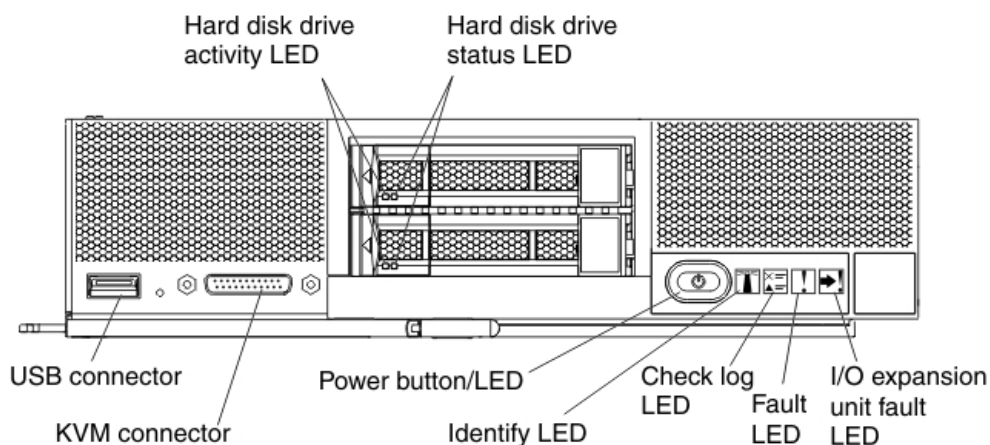
Viewing the light path diagnostics LEDs

Use this information to locate and identify the light path diagnostics LEDs.

Before you work inside the compute node to view light path diagnostics LEDs, read “Safety” on page v and “Installation guidelines” on page 873.

If an error occurs, view the light path diagnostics LEDs in the following order:

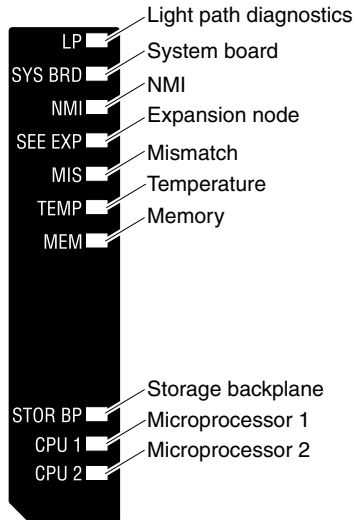
1. Look at the control panel on the front of the compute node.



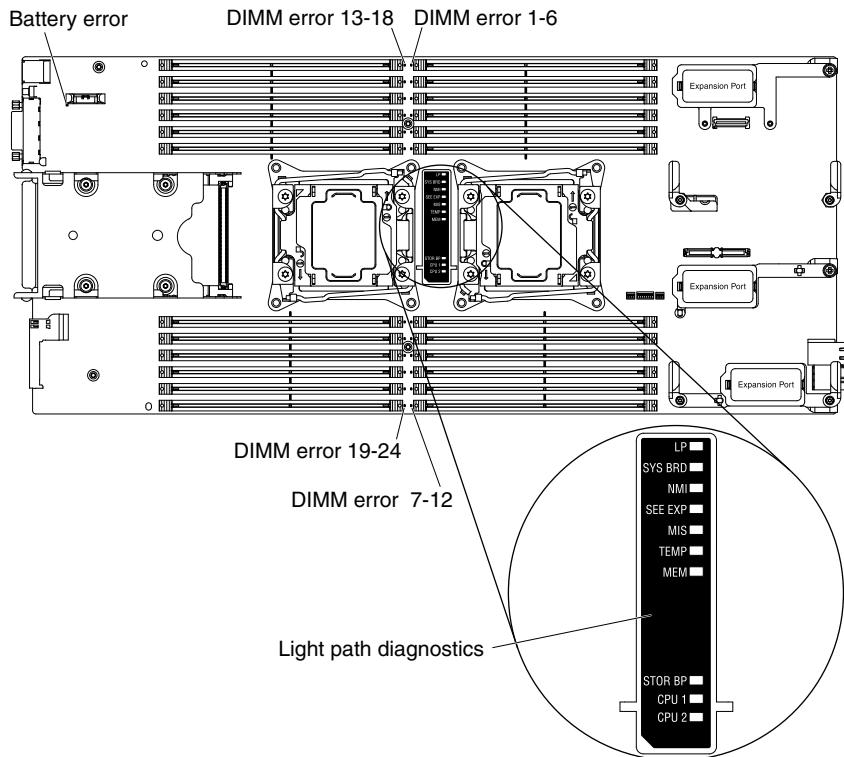
- If the check log LED is lit, it indicates that a condition that causes an event to log in the IMM event log has occurred.
 - If the fault LED is lit, it indicates that an error has occurred; view the light path diagnostics panel and LEDs to isolate the failing component.
 - If the I/O expansion unit fault LED is lit, it indicates that an error has occurred in an I/O expansion unit that is installed in the compute node; check the IMM or CMM event log and the light path diagnostics LEDs to isolate the failing component.
2. To view the light path diagnostics LEDs, select one of the following procedures:
- You can view the LEDs through the CMM **led** command, the CMM web interface and the Lenovo XClarity Administrator application (if installed) or Flex System Manager management software (if installed).
 - For more information about the CMM **led** command, see the "Flex System Chassis Management Module: Command-Line Interface Reference Guide" at http://pic.dhe.ibm.com/infocenter/flexsys/information/topic/com.lenovo.acc.cmm.doc/cli_command_led.html.
 - From the CMM web interface, select **Compute Nodes** from the Chassis Management menu. For more information, see the the "Flex System Chassis Management Module: User's Guide" at http://pic.dhe.ibm.com/infocenter/flexsys/information/topic/com.lenovo.acc.cmm.doc/cmm_user_guide.html. All fields and options are described in the CMM web interface online help.
 - For more information about the Lenovo XClarity Administrator application, see <https://support.lenovo.com/us/en/documents/LNVO-XCLARIT>.
 - For more information about Flex System Manager management software, see the "Flex System Manager Software: Installation and Service Guide" at http://pic.dhe.ibm.com/infocenter/flexsys/information/topic/com.ibm.acc.8731.doc/product_page.html.
 - If you are in the same location as the compute node, you can complete the following steps:
 - a. Remove the compute node from the Lenovo Flex System chassis, (see "Removing a compute node from a chassis" on page 874 for instructions).
 - b. Carefully lay the compute node on a flat, static-protective surface.
 - c. Open the compute node cover (see "Removing the compute node cover" on page 881 for instructions).
 - d. Remove the air baffles installed over the DIMM connectors.
 - e. Press and hold the power button. When you press the power button, LEDs on the light path diagnostics panel and the system board will be lit if there are any hardware-related issues.

Note: The power source for light path diagnostics is designed only to last a short time. If you press the power button and the light path diagnostics LED lights, light path diagnostics is charged to light the LEDs.

The following illustration shows the LEDs on the light path diagnostics panel.



The following illustration shows the locations of the light path diagnostics LEDs on the system board.



Light path diagnostics LEDs

Use this information to diagnose possible errors that are indicated by the light path diagnostics LEDs.

The following table describes the LEDs on the light path diagnostics panel and the light path diagnostics LEDs on the system board. See “Viewing the light path diagnostics LEDs” on page 61 for information about lighting the LEDs.

Note: Additional information about error conditions is in the CMM event log.

Table 7. Light path diagnostics LEDs

Lit light path diagnostics LED	Description
None	The compute node is not sufficiently charged to display the LEDs on the system board.
Battery error	The system CMOS battery is not installed or is not working.
DIMM error x	A memory error occurred.
I/O expansion unit (SEE EXP)	An error has occurred with the I/O expansion unit. Check for error LEDs on the I/O expansion unit.
Light path diagnostics (LP)	The power source for the light path diagnostics LEDs is charged.
Light path diagnostics (LP) only	No errors have occurred.
Memory (MEM)	A memory error has occurred.
Microprocessor x error (CPU X)	The IMM2 lights this LED when a microprocessor has failed or overheated or the start microprocessor (CPU 1) is missing. The fault LED on the front panel is also lit.
Mismatch (MIS)	The microprocessors are mismatched. If the Memory LED is also lit, the DIMMs are mismatched.
NMI	The system board has failed.
SAS backplane error (STOR BP)	A hard disk drive backplane error has occurred.
System board (SYS BRD)	The system board has failed.
Temperature (TEMP)	The system temperature has exceeded a threshold level.

IMM event log

Use this information as an overview of the IMM event log.

The integrated management module II (IMM2) consolidates the system-management processor functionality, video controller, and remote presence capabilities in a single chip on the system board. The IMM2 monitors all components of the compute node and posts events in the IMM event log. In addition, most events are also sent to the Chassis Management Module event log. You can view the IMM event log through the Dynamic System Analysis (DSA) program (as the ASM event log).

To diagnose and resolve IMM error codes, see “IMM messages” on page 225.

Note: When viewing event messages in the CMM event log, look for events that might have occurred earlier in the log that are related to the problem you are experiencing. For example, if you see an event for a microprocessor bus error, look for errors relating to memory that could also be the cause of this error.

Viewing event logs through the Setup utility

You can view the IMM and POST events through the Setup utility.

To view the POST event log or system-event log, complete the following steps:

- Step 1. Connect a keyboard, monitor, and mouse to the console breakout cable and connect the console breakout cable to the compute node.
- Step 2. Turn on the compute node.

- Step 3. When the prompt <F1> Setup is displayed, press F1. If you have set both a power-on password and an administrator password, you must type the administrator password to view the event logs.
- Step 4. Select **System Event Logs** and use one of the following procedures:
- To view the POST event log, select **POST Event Viewer**.
 - To view the system-event log, select **System Event Log**.

Viewing event logs without restarting the compute node

If the compute node is not hung, methods are available for you to view one or more event logs without having to restart the compute node.

You can view the Chassis Management Module event log using the Lenovo XClarity Administrator, in the Flex System Manager Chassis Manager, or through the **Event Log** link in Flex System Manager management software (if installed). For more information about the Lenovo XClarity Administrator application, see <https://support.lenovo.com/us/en/documents/LNVO-XCLARIT>. For more information about Flex System Manager management software, see the "Flex System Manager Software: Installation and Service Guide" at http://pic.dhe.ibm.com/infocenter/flexsys/information/topic/com.ibm.acc.8731.doc/product_page.html.

You can also view the Chassis Management Module event log through the **Event Log** link by using the CMM **displaylog** command or the CMM web interface.

- For more information about the CMM **displaylog** command, see the "Flex System Chassis Management Module: Command-Line Interface Reference Guide" at http://pic.dhe.ibm.com/infocenter/flexsys/information/topic/com.lenovo.acc.cmm.doc/cli_command_displaylog.html.
- From the CMM web interface, select **Event Log** from the Events menu. For more information, see the "Flex System Chassis Management Module: User's Guide" at http://pic.dhe.ibm.com/infocenter/flexsys/information/topic/com.lenovo.acc.cmm.doc/cmm_user_guide.html. All fields and options are described in the CMM web interface online help.

Note: If event IDs are not currently displayed in the Event Log page, you can enable them. To do so, click **Filter Events** and select the **Event ID** check box under **Visible columns**.

If you have installed DSA Portable Edition, you can use it to view the system-event log (as the IPMI event log), the operating-system event logs, or the merged DSA log. You can also use DSA Preboot to view these logs, although you must restart the compute node to use DSA Preboot. To install Portable DSA or DSA Preboot or to download a DSA Preboot CD image, go to <https://support.lenovo.com/us/en/documents/LNVO-DSA>.

If IPMItool is installed in the compute node, you can use it to view the system-event log. Most recent versions of the Linux operating system come with a current version of IPMItool. For information about IPMItool, complete the following steps.

Note: Changes are made periodically to the Lenovo website. The actual procedure might vary slightly from what is described in this document.

1. Go to <http://www.ibm.com/developerworks>.
2. Click **Linux**.
3. Click the **Linux blueprints** tab.
4. Click **Blueprints for Linux on IBM systems** or **Blueprints for Linux on Lenovo systems**, and then click **Using Intelligent Platform Management Interface (IPMI) on IBM Linux platforms** or **Using Intelligent Platform Management Interface (IPMI) on Lenovo Linux platforms**.

The following table describes the methods that you can use to view the event logs, depending on the condition of the compute node. The first two conditions generally do not require that you restart the compute node.

Table 8. Methods for viewing event logs

Condition	Action
The compute node is not hung and is connected to a network.	<p>Use any of the following methods:</p> <ul style="list-style-type: none"> • In a web browser, type the IP address of the Chassis Management Module and go to the Event Log page. • Run Portable or Installable DSA to view the event logs or create an output file that you can send to Lenovo Support. • Use IPMItool to view the system-event log.
The compute node is not hung and is not connected to a network.	Use IPMItool locally to view the system-event log.
The compute node is hung.	<p>Use any of the following methods:</p> <ul style="list-style-type: none"> • If DSA Preboot is installed, restart the compute node and press F2 to start DSA Preboot and view the event logs. • If DSA Preboot is not installed, insert the DSA Preboot CD and restart the compute node to start DSA Preboot and view the event logs. • Alternatively, you can restart the compute node and press F1 to start the Setup utility and view the POST event log or system-event log. For more information, see “Viewing event logs through the Setup utility” on page 64.

Lenovo Dynamic System Analysis

Lenovo Dynamic System Analysis (DSA) collects and analyzes system information to aid in diagnosing compute node problems.

DSA collects the following information about the compute node:

- Drive health information
- Event logs for ServeRAID controllers and system-management processors
- Hardware inventory, including PCI and USB information
- Installed applications and hot fixes
- Kernel modules
- Light path diagnostics status
- Network interfaces and settings
- Performance data and details about processes that are running
- RAID and controller configuration
- Integrated management module II (IMM2) status and configuration
- System configuration
- Vital product data and firmware information

DSA creates a DSA log, which is a chronologically ordered merge of the system-event log (as the IPMI event log), the IMM event log (as the ASM event log), and the operating-system event logs. You can send the DSA log as a file to a support representative or view the information as a text file or HTML file.

In a multi-node environment, each node has a unique DSA interface. You can view node-specific information, such as error logs, from these unique DSA interfaces.

To obtain DSA code and the *Dynamic System Analysis Installation and User's Guide*, go to <https://support.lenovo.com/us/en/documents/LNVO-DSA>.

DSA editions

Two editions of Dynamic System Analysis are available:

- **DSA Portable**

DSA Portable Edition runs within the operating system; you do not have to restart the compute node to run it. It is packaged as a self-extracting file that you download from the Web. When you run the file, it self-extracts to a temporary folder and performs comprehensive collection of hardware and operating-system information. After it runs, it automatically deletes the temporary files and folder and leaves the results of the data collection and diagnostics on the compute node.

If you are able to start the compute node, use DSA Portable.

- **DSA Preboot**

DSA Preboot runs outside of the operating system; you must restart the compute node to run it. It is packaged as an ISO image that you download from the Web, or it is provided in flash memory on the compute node. In addition to the capabilities of the other editions of DSA, DSA Preboot includes diagnostic routines that would be disruptive to run within the operating-system environment (such as resetting devices and causing loss of network connectivity). It has a graphical user interface that you can use to specify which diagnostics to run and to view the diagnostic and data collection results.

If you are unable to restart the compute node or if you need comprehensive diagnostics, use DSA Preboot.

DSA Preboot performs the following tasks:

- Collects system information into a compressed XML file that you can send to Lenovo Support
- Provides a bootable image that you can use to run extended hardware tests independent of the operating system or applications
- Collects the version and license information from local VMware ESXi hypervisor software

Running DSA Preboot

Use this information to run DSA Preboot.

To run the DSA Preboot diagnostic programs, complete the following steps:

1. If the compute node is turned on, turn off the compute node (see “Turning off the compute node” on page 17).
2. If necessary, connect a keyboard, monitor, and mouse to the console breakout cable and connect the console breakout cable to the compute node.
3. Turn on the compute node (see “Turning on the compute node” on page 15).
4. When the prompt <F2> Diagnostics is displayed, press F2.
5. Select **Quit** from the actions available on the Memory Test screen.

Note: After you exit the Memory Test screen, you must restart the compute node to access the stand-alone memory diagnostic environment again.

6. Enter `gui` to start the DSA graphical user interface, or select `cmd` to display the DSA interactive menu.
7. From the diagnostic programs screen, select the test that you want to run, and follow the instructions on the screen. For additional information, see the *Dynamic System Analysis Installation and User's Guide*, which is available at <https://support.lenovo.com/us/en/documents/LNVO-DSA>.

Help for DSA is available. For help about the DSA CLI, enter help in the command line. For help about the DSA user interface, press F1. Pressing F1 within a help panel displays additional online documentation.

Diagnostic text messages

Use this information to understand the diagnostic text messages that are displayed while the tests are running.

A diagnostic text message contains one of the following results:

- **Passed:** The test was completed without any errors.
- **Failed:** The test detected an error.
- **User Aborted:** You stopped the test before it was completed.
- **Not Applicable:** You attempted to test a device that is not present in the compute node.
- **Aborted:** The test could not proceed because of the compute node configuration.
- **Warning:** The test could not be run. There was no failure of the hardware that was being tested, but there might be a hardware failure elsewhere, or another problem prevented the test from running; for example, there might be a configuration problem, or the hardware might be missing or is not being recognized.

The result is followed by an error code or other additional information about the error.

Viewing the test results

Use this information to view the test results.

You can use one of the following methods to access the test log when the tests are completed:

- From the DSA command line, issue the DSA CLI View command or select the **Diagnostic Event Log** option from the DSA graphical user interface (GUI).
- From the DSA interactive menu, select the **getextendedresults** option.
- From the DSA interactive menu, select the **View** option to view all of the collected results and error log data.
- In the DSA GUI, select **DSA Error Log** from the System Information page.

You can send the DSA error log file to Lenovo Support to aid in diagnosing the compute node problems, or you can use the DSA CLI copy command to copy the log to an external USB device.

DSA diagnostic test results

After running the DSA diagnostic tests, use this information to resolve any issues that were found.

DSA CPU stress test results

The following messages can result when you run the CPU stress test.

Test results for the DSA CPU stress test

The following messages can result when you run the DSA CPU stress test.

- **089-000-000 : CPU Stress Test Passed**

CPU Stress Test Passed.

Recoverable

No

Severity

Event

Serviceable

No

Automatically notify support

No

Related links

- IBM Support website
- Latest level of DSA
- Latest level of BMC/IMM

• **089-801-000 : CPU Stress Test Aborted**

CPU Stress Test Aborted. Internal Program Error.

Recoverable

No

Severity

Warning

Serviceable

Yes

Automatically notify support

No

User Response

Complete the following steps:

1. Turn off and restart the system.
2. Make sure that the DSA Diagnostic code is at the latest level.
3. Run the test again.
4. Check system firmware level and upgrade if necessary. The installed firmware level can be found in the DSA Diagnostic Event Log within the Firmware/VPD section for this component. The latest level firmware for this component can be found in reference to this system type at the IBM Support website: <https://www-947.ibm.com/support/entry/portal/docdisplay?Indocid=MIGR-4JTS2T>.
5. Run the test again.
6. If the system has stopped responding, turn off and restart the system and then run the test again.
7. If failure remains, refer to "Troubleshooting by symptom" in the system "Installation and Service Guide" for the next corrective action.

Related links

- IBM Support website
- Latest level of DSA
- Latest level of BMC/IMM

• **089-802-000 : CPU Stress Test Aborted**

CPU Stress Test Aborted. System resource unavailability error.

Recoverable

No

Severity

Warning

Serviceable

Yes

Automatically notify support

No

User Response

Complete the following steps:

1. Turn off and restart the system.
2. Make sure that the DSA Diagnostic code is at the latest level.
3. Run the test again.
4. Check system firmware level and upgrade if necessary. The installed firmware level can be found in the DSA Diagnostic Event Log within the Firmware/VPD section for this component.
5. Run the test again.
6. If the system has stopped responding, turn off and restart the system and then run the test again.
7. If failure remains, refer to "Troubleshooting by symptom" in the system "Installation and Service Guide" for the next corrective action.

Related links

- IBM Support website
- Latest level of DSA
- Latest level of BMC/IMM

• 089-803-000 : CPU Stress Test Aborted

CPU Stress Test Aborted. Memory size is insufficient to run the test. At least 1GB is required.

Recoverable

No

Severity

Warning

Serviceable

Yes

Automatically notify support

No

Related links

- IBM Support website
- Latest level of DSA
- Latest level of BMC/IMM

• 089-804-000 : CPU Stress Test Aborted

CPU Stress Test Aborted. User pressed Ctrl-C.

Recoverable

No

Severity

Warning

Serviceable

Yes

Automatically notify support

No

Related links

- IBM Support website
- Latest level of DSA
- Latest level of BMC/IMM

- **089-901-000 : CPU Stress Test Failed**

CPU Stress Test Failed.

Recoverable

No

Severity

Error

Serviceable

Yes

Automatically notify support

No

User Response

Complete the following steps:

1. If the system has stopped responding, turn off and restart the system and then run the test again.
2. Make sure that the DSA Diagnostic code is at the latest level.
3. Run the test again.
4. Check system firmware level and upgrade if necessary. The installed firmware level can be found in the DSA Diagnostic Event Log within the Firmware/VPD section for this component.
5. Run the test again.
6. If the system has stopped responding, turn off and restart the system and then run the test again.
7. If failure remains, refer to "Troubleshooting by symptom" in the system "Installation and Service Guide" for the next corrective action.

Related links

- IBM Support website
- Latest level of DSA
- Latest level of BMC/IMM

DSA memory stress test results

The following messages can result when you run the memory stress test.

Test results for the DSA memory stress test

The following messages can result when you run the DSA memory stress test.

- **202-000-000 : MemStr Test Passed**

Test Passed.

Recoverable

No

Severity

Event

Serviceable

No

Automatically notify support

No

Related links

- IBM Support website
- Latest level of DSA
- Latest level of BMC/IMM

- **202-801-000 : MemStr Test Aborted**

Internal program error.

Recoverable

No

Severity

Warning

Serviceable

Yes

Automatically notify support

No

User Response

Complete the following steps:

1. Turn off and restart the system.
2. Make sure that the DSA Diagnostic code is at the latest level.
3. Run the test again.
4. If the system has stopped responding, turn off and restart the system.
5. Check the system firmware level and upgrade if necessary.
6. Run the memory diagnostic to identify the specific failing DIMM.
7. If the failure remains, refer to "Troubleshooting by symptom" in the system "Installation and Service Guide" for the next corrective action.

Related links

- IBM Support website
- Latest level of DSA
- Latest level of BMC/IMM

- **202-802-000 : MemStr Test Aborted**

Memory size is insufficient to run the test. At least 1 GB is required.

Recoverable

No

Severity

Warning

Serviceable

Yes

Automatically notify support

No

Related links

- IBM Support website
- Latest level of DSA
- Latest level of BMC/IMM

- **202-803-000 : MemStr Test Aborted**

User pressed Ctrl-C.

Recoverable

No

Severity

Warning

Serviceable

Yes

Automatically notify support

No

Related links

- IBM Support website
- Latest level of DSA
- Latest level of BMC/IMM

- **202-901-000 : MemStr Test Failed**

Test Failed.

Recoverable

No

Severity

Error

Serviceable

Yes

Automatically notify support

No

User Response

Complete the following steps:

1. Execute the standard DSA memory diagnostics to validate all memory.
2. Make sure that the DSA Diagnostic code is at the latest level.
3. Turn off the system and disconnect it from power.
4. Reseat the memory cards and DIMMs.
5. Reconnect the system to power and turn the system on.
6. Run the test again.
7. Execute the standard DSA memory diagnostics to validate all memory.
8. If the failure remains, refer to "Troubleshooting by symptom" in the system "Installation and Service Guide" for the next corrective action.

Related links

- IBM Support website
- Latest level of DSA
- Latest level of BMC/IMM

- **202-902-000 : MemStr Test Failed**

Memory size is insufficient to run the test.

Recoverable

No

Severity

Error

Serviceable

Yes

Automatically notify support

No

User Response

Complete the following steps:

1. Ensure that all memory is enabled by checking the "Available System Memory" in the "Resource Utilization" section of the DSA Diagnostic Event log.
2. If necessary, access the Configuration/Setup Utility program by pressing F1 during system boot and enable all memory.
3. Make sure that the DSA Diagnostic code is at the latest level.
4. Run the test again.
5. Execute the standard DSA memory diagnostics to validate all memory.

6. If the failure remains, refer to "Troubleshooting by symptom" in the system "Installation and Service Guide" for the next corrective action.

Related links

- IBM Support website
- Latest level of DSA
- Latest level of BMC/IMM

DSA memory isolation test results

The following messages can result when you run the memory isolation test.

Test results for the DSA memory isolation test

The following messages can result when you run the DSA memory isolation test.

- **201-000-000 : Standalone Memory Test Passed**

Quick/Full Memory Test All CPUs Passed.

Recoverable

No

Severity

Event

Serviceable

No

Automatically notify support

No

Related links

- IBM Support website
- Latest level of DSA
- Latest level of BMC/IMM

- **201-000-001 : Standalone Memory Test Passed**

Quick/Full Memory Test CPU 1 Passed.

Recoverable

No

Severity

Event

Serviceable

No

Automatically notify support

No

Related links

- IBM Support website
- Latest level of DSA
- Latest level of BMC/IMM

- **201-000-002 : Standalone Memory Test Passed**

Quick/Full Memory Test CPU 2 Passed.

Recoverable

No

Severity

Event

Serviceable

No

Automatically notify support

No

Related links

- IBM Support website
- Latest level of DSA
- Latest level of BMC/IMM

- **201-000-003 : Standalone Memory Test Passed**

Quick/Full Memory Test CPU 3 Passed.

Recoverable

No

Severity

Event

Serviceable

No

Automatically notify support

No

Related links

- IBM Support website
- Latest level of DSA
- Latest level of BMC/IMM

- **201-000-004 : Standalone Memory Test Passed**

Quick/Full Memory Test CPU 4 Passed.

Recoverable

No

Severity

Event

Serviceable

No

Automatically notify support

No

Related links

- IBM Support website
- Latest level of DSA
- Latest level of BMC/IMM

- **201-811-000 : Standalone Memory Test Aborted**

Unable to Locate SMBIOS key "_SM_".

Recoverable

No

Severity

Warning

Serviceable

No

Automatically notify support

No

User Response

Complete the following steps:

1. Perform the actions mentioned one at a time and try the test after each action.
2. If the problem remains, contact your technical-service representative.
3. Turn off the system and disconnect it from power. Wait for 45 seconds. Reseat DIMM(s). Reconnect it to power.
4. Make sure that DSA and BIOS/uEFI are at the latest level.

Related links

- IBM Support website
- Latest level of DSA
- Latest level of BMC/IMM

- **201-811-001 : Standalone Memory Test Aborted**

Unable to Locate SMBIOS key "_SM_".

Recoverable

No

Severity

Warning

Serviceable

No

Automatically notify support

No

User Response

Complete the following steps:

1. Perform the actions mentioned one at a time and try the test after each action.
2. If the problem remains, contact your technical-service representative.
3. Turn off the system and disconnect it from power. Wait for 45 seconds. Reseat DIMM(s). Reconnect it to power.
4. Make sure that DSA and BIOS/uEFI are at the latest level.

Related links

- IBM Support website
- Latest level of DSA
- Latest level of BMC/IMM

• 201-811-002 : Standalone Memory Test Aborted

Unable to Locate SMBIOS key "_SM_".

Recoverable

No

Severity

Warning

Serviceable

No

Automatically notify support

No

User Response

Complete the following steps:

1. Perform the actions mentioned one at a time and try the test after each action.
2. If the problem remains, contact your technical-service representative.
3. Turn off the system and disconnect it from power. Wait for 45 seconds. Reseat DIMM(s). Reconnect it to power.
4. Make sure that DSA and BIOS/uEFI are at the latest level.

Related links

- IBM Support website
- Latest level of DSA
- Latest level of BMC/IMM

• 201-811-003 : Standalone Memory Test Aborted

Unable to Locate SMBIOS key "_SM_".

Recoverable

No

Severity

Warning

Serviceable

No

Automatically notify support

No

User Response

Complete the following steps:

1. Perform the actions mentioned one at a time and try the test after each action.
2. If the problem remains, contact your technical-service representative.
3. Turn off the system and disconnect it from power. Wait for 45 seconds. Reseat DIMM(s). Reconnect it to power.
4. Make sure that DSA and BIOS/uEFI are at the latest level.

Related links

- IBM Support website
- Latest level of DSA
- Latest level of BMC/IMM

- **201-812-000 : Standalone Memory Test Aborted**

Memory test is not supported for this system.

Recoverable

No

Severity

Warning

Serviceable

No

Automatically notify support

No

User Response

Complete the following steps:

1. Perform the actions mentioned one at a time and try the test after each action.
2. If the problem remains, contact your technical-service representative.
3. Turn off the system and disconnect it from power. Wait for 45 seconds. Reseat DIMM(s). Reconnect it to power.
4. Make sure that DSA and BIOS/uEFI are at the latest level.

Related links

- IBM Support website
- Latest level of DSA
- Latest level of BMC/IMM

- **201-812-001 : Standalone Memory Test Aborted**

Memory test is not supported for this system.

Recoverable

No

Severity

Warning

Serviceable

No

Automatically notify support

No

User Response

Complete the following steps:

1. Perform the actions mentioned one at a time and try the test after each action.
2. If the problem remains, contact your technical-service representative.
3. Turn off the system and disconnect it from power. Wait for 45 seconds. Reseat DIMM(s). Reconnect it to power.
4. Make sure that DSA and BIOS/uEFI are at the latest level.

Related links

- IBM Support website
- Latest level of DSA
- Latest level of BMC/IMM

• 201-812-002 : Standalone Memory Test Aborted

Memory test is not supported for this system.

Recoverable

No

Severity

Warning

Serviceable

No

Automatically notify support

No

User Response

Complete the following steps:

1. Perform the actions mentioned one at a time and try the test after each action.
2. If the problem remains, contact your technical-service representative.
3. Turn off the system and disconnect it from power. Wait for 45 seconds. Reseat DIMM(s). Reconnect it to power.
4. Make sure that DSA and BIOS/uEFI are at the latest level.

Related links

- IBM Support website
- Latest level of DSA
- Latest level of BMC/IMM

- **201-812-003 : Standalone Memory Test Aborted**

Memory test is not supported for this system.

Recoverable

No

Severity

Warning

Serviceable

No

Automatically notify support

No

User Response

Complete the following steps:

1. Perform the actions mentioned one at a time and try the test after each action.
2. If the problem remains, contact your technical-service representative.
3. Turn off the system and disconnect it from power. Wait for 45 seconds. Reseat DIMM(s). Reconnect it to power.
4. Make sure that DSA and BIOS/uEFI are at the latest level.

Related links

- IBM Support website
- Latest level of DSA
- Latest level of BMC/IMM

- **201-813-000 : Standalone Memory Test Aborted**

Chipset Error: Can not turn OFF ECC error reporting in CPU.

Recoverable

No

Severity

Warning

Serviceable

No

Automatically notify support

No

User Response

Complete the following steps:

1. Perform the actions mentioned one at a time and try the test after each action.
2. If the problem remains, contact your technical-service representative.
3. Turn off the system and disconnect it from power. Wait for 45 seconds. Reseat DIMM(s). Reconnect it to power.
4. Make sure that DSA and BIOS/uEFI are at the latest level.

Related links

- IBM Support website
- Latest level of DSA
- Latest level of BMC/IMM

- **201-813-001 : Standalone Memory Test Aborted**

Chipset Error: Can not turn OFF ECC error reporting in CPU.

Recoverable

No

Severity

Warning

Serviceable

No

Automatically notify support

No

User Response

Complete the following steps:

1. Perform the actions mentioned one at a time and try the test after each action.
2. If the problem remains, contact your technical-service representative.
3. Turn off the system and disconnect it from power. Wait for 45 seconds. Reseat DIMM(s). Reconnect it to power.
4. Make sure that DSA and BIOS/uEFI are at the latest level.

Related links

- IBM Support website
- Latest level of DSA
- Latest level of BMC/IMM

- **201-813-002 : Standalone Memory Test Aborted**

Chipset Error: Can not turn OFF ECC error reporting in CPU.

Recoverable

No

Severity

Warning

Serviceable

No

Automatically notify support

No

User Response

Complete the following steps:

1. Perform the actions mentioned one at a time and try the test after each action.
2. If the problem remains, contact your technical-service representative.

3. Turn off the system and disconnect it from power. Wait for 45 seconds. Reseat DIMM(s). Reconnect it to power.
4. Make sure that DSA and BIOS/uEFI are at the latest level.

Related links

- IBM Support website
- Latest level of DSA
- Latest level of BMC/IMM

- **201-813-003 : Standalone Memory Test Aborted**

Chipset Error: Can not turn OFF ECC error reporting in CPU.

Recoverable

No

Severity

Warning

Serviceable

No

Automatically notify support

No

User Response

Complete the following steps:

1. Perform the actions mentioned one at a time and try the test after each action.
2. If the problem remains, contact your technical-service representative.
3. Turn off the system and disconnect it from power. Wait for 45 seconds. Reseat DIMM(s). Reconnect it to power.
4. Make sure that DSA and BIOS/uEFI are at the latest level.

Related links

- IBM Support website
- Latest level of DSA
- Latest level of BMC/IMM

- **201-814-000 : Standalone Memory Test Aborted**

Chipset Error: Can not disable Scubbing feature for CPU.

Recoverable

No

Severity

Warning

Serviceable

No

Automatically notify support

No

User Response

Complete the following steps:

1. Perform the actions mentioned one at a time and try the test after each action.
2. If the problem remains, contact your technical-service representative.
3. Turn off the system and disconnect it from power. Wait for 45 seconds. Reseat DIMM(s). Reconnect it to power.
4. Make sure that DSA and BIOS/uEFI are at the latest level.

Related links

- IBM Support website
- Latest level of DSA
- Latest level of BMC/IMM

• 201-814-001 : Standalone Memory Test Aborted

Chipset Error: Can not disable Scubbing feature for CPU.

Recoverable

No

Severity

Warning

Serviceable

No

Automatically notify support

No

User Response

Complete the following steps:

1. Perform the actions mentioned one at a time and try the test after each action.
2. If the problem remains, contact your technical-service representative.
3. Turn off the system and disconnect it from power. Wait for 45 seconds. Reseat DIMM(s). Reconnect it to power.
4. Make sure that DSA and BIOS/uEFI are at the latest level.

Related links

- IBM Support website
- Latest level of DSA
- Latest level of BMC/IMM

• 201-814-002 : Standalone Memory Test Aborted

Chipset Error: Can not disable Scubbing feature for CPU.

Recoverable

No

Severity

Warning

Serviceable

No

Automatically notify support

No

User Response

Complete the following steps:

1. Perform the actions mentioned one at a time and try the test after each action.
2. If the problem remains, contact your technical-service representative.
3. Turn off the system and disconnect it from power. Wait for 45 seconds. Reseat DIMM(s). Reconnect it to power.
4. Make sure that DSA and BIOS/uEFI are at the latest level.

Related links

- IBM Support website
- Latest level of DSA
- Latest level of BMC/IMM

- **201-814-003 : Standalone Memory Test Aborted**

Chipset Error: Can not disable Scubbing feature for CPU.

Recoverable

No

Severity

Warning

Serviceable

No

Automatically notify support

No

User Response

Complete the following steps:

1. Perform the actions mentioned one at a time and try the test after each action.
2. If the problem remains, contact your technical-service representative.
3. Turn off the system and disconnect it from power. Wait for 45 seconds. Reseat DIMM(s). Reconnect it to power.
4. Make sure that DSA and BIOS/uEFI are at the latest level.

Related links

- IBM Support website
- Latest level of DSA
- Latest level of BMC/IMM

- **201-815-000 : Standalone Memory Test Aborted**

Program Error with Quick Memory Menu Option Selection.

Recoverable

No

Severity

Warning

Serviceable

No

Automatically notify support

No

User Response

Complete the following steps:

1. Perform the actions mentioned one at a time and try the test after each action.
2. If the problem remains, contact your technical-service representative.
3. Turn off the system and disconnect it from power. Wait for 45 seconds. Reseat DIMM(s). Reconnect it to power.
4. Make sure that DSA and BIOS/uEFI are at the latest level.

Related links

- IBM Support website
- Latest level of DSA
- Latest level of BMC/IMM

• 201-815-001 : Standalone Memory Test Aborted

Program Error with Quick Memory Menu Option Selection.

Recoverable

No

Severity

Warning

Serviceable

No

Automatically notify support

No

User Response

Complete the following steps:

1. Perform the actions mentioned one at a time and try the test after each action.
2. If the problem remains, contact your technical-service representative.
3. Turn off the system and disconnect it from power. Wait for 45 seconds. Reseat DIMM(s). Reconnect it to power.
4. Make sure that DSA and BIOS/uEFI are at the latest level.

Related links

- IBM Support website
- Latest level of DSA
- Latest level of BMC/IMM

- **201-815-002 : Standalone Memory Test Aborted**

Program Error with Quick Memory Menu Option Selection.

Recoverable

No

Severity

Warning

Serviceable

No

Automatically notify support

No

User Response

Complete the following steps:

1. Perform the actions mentioned one at a time and try the test after each action.
2. If the problem remains, contact your technical-service representative.
3. Turn off the system and disconnect it from power. Wait for 45 seconds. Reseat DIMM(s). Reconnect it to power.
4. Make sure that DSA and BIOS/uEFI are at the latest level.

Related links

- IBM Support website
- Latest level of DSA
- Latest level of BMC/IMM

- **201-815-003 : Standalone Memory Test Aborted**

Program Error with Quick Memory Menu Option Selection.

Recoverable

No

Severity

Warning

Serviceable

No

Automatically notify support

No

User Response

Complete the following steps:

1. Perform the actions mentioned one at a time and try the test after each action.
2. If the problem remains, contact your technical-service representative.
3. Turn off the system and disconnect it from power. Wait for 45 seconds. Reseat DIMM(s). Reconnect it to power.
4. Make sure that DSA and BIOS/uEFI are at the latest level.

Related links

- IBM Support website
- Latest level of DSA
- Latest level of BMC/IMM

- **201-816-000 : Standalone Memory Test Aborted**

Program Error with Full Memory Menu Option Selection.

Recoverable

No

Severity

Warning

Serviceable

No

Automatically notify support

No

User Response

Complete the following steps:

1. Perform the actions mentioned one at a time and try the test after each action.
2. If the problem remains, contact your technical-service representative.
3. Turn off the system and disconnect it from power. Wait for 45 seconds. Reseat DIMM(s). Reconnect it to power.
4. Make sure that DSA and BIOS/uEFI are at the latest level.

Related links

- IBM Support website
- Latest level of DSA
- Latest level of BMC/IMM

- **201-816-001 : Standalone Memory Test Aborted**

Program Error with Full Memory Menu Option Selection.

Recoverable

No

Severity

Warning

Serviceable

No

Automatically notify support

No

User Response

Complete the following steps:

1. Perform the actions mentioned one at a time and try the test after each action.
2. If the problem remains, contact your technical-service representative.

3. Turn off the system and disconnect it from power. Wait for 45 seconds. Reseat DIMM(s). Reconnect it to power.
4. Make sure that DSA and BIOS/uEFI are at the latest level.

Related links

- IBM Support website
- Latest level of DSA
- Latest level of BMC/IMM

- **201-816-002 : Standalone Memory Test Aborted**

Program Error with Full Memory Menu Option Selection.

Recoverable

No

Severity

Warning

Serviceable

No

Automatically notify support

No

User Response

Complete the following steps:

1. Perform the actions mentioned one at a time and try the test after each action.
2. If the problem remains, contact your technical-service representative.
3. Turn off the system and disconnect it from power. Wait for 45 seconds. Reseat DIMM(s). Reconnect it to power.
4. Make sure that DSA and BIOS/uEFI are at the latest level.

Related links

- IBM Support website
- Latest level of DSA
- Latest level of BMC/IMM

- **201-816-003 : Standalone Memory Test Aborted**

Program Error with Full Memory Menu Option Selection.

Recoverable

No

Severity

Warning

Serviceable

No

Automatically notify support

No

User Response

Complete the following steps:

1. Perform the actions mentioned one at a time and try the test after each action.
2. If the problem remains, contact your technical-service representative.
3. Turn off the system and disconnect it from power. Wait for 45 seconds. Reseat DIMM(s). Reconnect it to power.
4. Make sure that DSA and BIOS/uEFI are at the latest level.

Related links

- IBM Support website
- Latest level of DSA
- Latest level of BMC/IMM

• 201-818-000 : Standalone Memory Test Aborted

Unable to Locate SMBIOS key "_SM_".

Recoverable

No

Severity

Warning

Serviceable

No

Automatically notify support

No

User Response

Complete the following steps:

1. Perform the actions mentioned one at a time and try the test after each action.
2. If the problem remains, contact your technical-service representative.
3. Turn off the system and disconnect it from power. Wait for 45 seconds. Reseat DIMM(s). Reconnect it to power.
4. Make sure that DSA and BIOS/uEFI are at the latest level.

Related links

- IBM Support website
- Latest level of DSA
- Latest level of BMC/IMM

• 201-818-001 : Standalone Memory Test Aborted

Unable to Locate SMBIOS key "_SM_".

Recoverable

No

Severity

Warning

Serviceable

No

Automatically notify support

No

User Response

Complete the following steps:

1. Perform the actions mentioned one at a time and try the test after each action.
2. If the problem remains, contact your technical-service representative.
3. Turn off the system and disconnect it from power. Wait for 45 seconds. Reseat DIMM(s). Reconnect it to power.
4. Make sure that DSA and BIOS/uEFI are at the latest level.

Related links

- IBM Support website
- Latest level of DSA
- Latest level of BMC/IMM

• 201-818-002 : Standalone Memory Test Aborted

Unable to Locate SMBIOS key "_SM_".

Recoverable

No

Severity

Warning

Serviceable

No

Automatically notify support

No

User Response

Complete the following steps:

1. Perform the actions mentioned one at a time and try the test after each action.
2. If the problem remains, contact your technical-service representative.
3. Turn off the system and disconnect it from power. Wait for 45 seconds. Reseat DIMM(s). Reconnect it to power.
4. Make sure that DSA and BIOS/uEFI are at the latest level.

Related links

- IBM Support website
- Latest level of DSA
- Latest level of BMC/IMM

• 201-818-003 : Standalone Memory Test Aborted

Unable to Locate SMBIOS key "_SM_".

Recoverable

No

Severity

Warning

Serviceable

No

Automatically notify support

No

User Response

Complete the following steps:

1. Perform the actions mentioned one at a time and try the test after each action.
2. If the problem remains, contact your technical-service representative.
3. Turn off the system and disconnect it from power. Wait for 45 seconds. Reseat DIMM(s). Reconnect it to power.
4. Make sure that DSA and BIOS/uEFI are at the latest level.

Related links

- IBM Support website
- Latest level of DSA
- Latest level of BMC/IMM

• 201-819-000 : Standalone Memory Test Aborted

The start-end address ranges in the restricted area of the memory.

Recoverable

No

Severity

Warning

Serviceable

No

Automatically notify support

No

User Response

Complete the following steps:

1. Perform the actions mentioned one at a time and try the test after each action.
2. If the problem remains, contact your technical-service representative.
3. Turn off the system and disconnect it from power. Wait for 45 seconds. Reseat DIMM(s). Reconnect it to power.
4. Make sure that DSA and BIOS/uEFI are at the latest level.

Related links

- IBM Support website
- Latest level of DSA
- Latest level of BMC/IMM

- **201-819-001 : Standalone Memory Test Aborted**

The start-end address ranges in the restricted area of the memory.

Recoverable

No

Severity

Warning

Serviceable

No

Automatically notify support

No

User Response

Complete the following steps:

1. Perform the actions mentioned one at a time and try the test after each action.
2. If the problem remains, contact your technical-service representative.
3. Turn off the system and disconnect it from power. Wait for 45 seconds. Reseat DIMM(s). Reconnect it to power.
4. Make sure that DSA and BIOS/uEFI are at the latest level.

Related links

- IBM Support website
- Latest level of DSA
- Latest level of BMC/IMM

- **201-819-002 : Standalone Memory Test Aborted**

The start-end address ranges in the restricted area of the memory.

Recoverable

No

Severity

Warning

Serviceable

No

Automatically notify support

No

User Response

Complete the following steps:

1. Perform the actions mentioned one at a time and try the test after each action.
2. If the problem remains, contact your technical-service representative.
3. Turn off the system and disconnect it from power. Wait for 45 seconds. Reseat DIMM(s). Reconnect it to power.
4. Make sure that DSA and BIOS/uEFI are at the latest level.

Related links

- IBM Support website
- Latest level of DSA
- Latest level of BMC/IMM

- **201-819-003 : Standalone Memory Test Aborted**

The start-end address ranges in the restricted area of the memory.

Recoverable

No

Severity

Warning

Serviceable

No

Automatically notify support

No

User Response

Complete the following steps:

1. Perform the actions mentioned one at a time and try the test after each action.
2. If the problem remains, contact your technical-service representative.
3. Turn off the system and disconnect it from power. Wait for 45 seconds. Reseat DIMM(s). Reconnect it to power.
4. Make sure that DSA and BIOS/uEFI are at the latest level.

Related links

- IBM Support website
- Latest level of DSA
- Latest level of BMC/IMM

- **201-820-000 : Standalone Memory Test Aborted**

Memory Upper limit is less than 16 Mbytes.

Recoverable

No

Severity

Warning

Serviceable

No

Automatically notify support

No

User Response

Complete the following steps:

1. Perform the actions mentioned one at a time and try the test after each action.
2. If the problem remains, contact your technical-service representative.

3. Turn off the system and disconnect it from power. Wait for 45 seconds. Reseat DIMM(s). Reconnect it to power.
4. Make sure that DSA and BIOS/uEFI are at the latest level.

Related links

- IBM Support website
- Latest level of DSA
- Latest level of BMC/IMM

• 201-820-001 : Standalone Memory Test Aborted

Memory Upper limit is less than 16 Mbytes.

Recoverable

No

Severity

Warning

Serviceable

No

Automatically notify support

No

User Response

Complete the following steps:

1. Perform the actions mentioned one at a time and try the test after each action.
2. If the problem remains, contact your technical-service representative.
3. Turn off the system and disconnect it from power. Wait for 45 seconds. Reseat DIMM(s). Reconnect it to power.
4. Make sure that DSA and BIOS/uEFI are at the latest level.

Related links

- IBM Support website
- Latest level of DSA
- Latest level of BMC/IMM

• 201-820-002 : Standalone Memory Test Aborted

Memory Upper limit is less than 16 Mbytes.

Recoverable

No

Severity

Warning

Serviceable

No

Automatically notify support

No

User Response

Complete the following steps:

1. Perform the actions mentioned one at a time and try the test after each action.
2. If the problem remains, contact your technical-service representative.
3. Turn off the system and disconnect it from power. Wait for 45 seconds. Reseat DIMM(s). Reconnect it to power.
4. Make sure that DSA and BIOS/uEFI are at the latest level.

Related links

- IBM Support website
- Latest level of DSA
- Latest level of BMC/IMM

• 201-820-003 : Standalone Memory Test Aborted

Memory Upper limit is less than 16 Mbytes.

Recoverable

No

Severity

Warning

Serviceable

No

Automatically notify support

No

User Response

Complete the following steps:

1. Perform the actions mentioned one at a time and try the test after each action.
2. If the problem remains, contact your technical-service representative.
3. Turn off the system and disconnect it from power. Wait for 45 seconds. Reseat DIMM(s). Reconnect it to power.
4. Make sure that DSA and BIOS/uEFI are at the latest level.

Related links

- IBM Support website
- Latest level of DSA
- Latest level of BMC/IMM

• 201-821-000 : Standalone Memory Test Aborted

Variable range MTRR registers are larger than fixed range MTRR registers.

Recoverable

No

Severity

Warning

Serviceable

No

Automatically notify support

No

User Response

Complete the following steps:

1. Perform the actions mentioned one at a time and try the test after each action.
2. If the problem remains, contact your technical-service representative.
3. Turn off the system and disconnect it from power. Wait for 45 seconds. Reseat DIMM(s). Reconnect it to power.
4. Make sure that DSA and BIOS/uEFI are at the latest level.

Related links

- IBM Support website
- Latest level of DSA
- Latest level of BMC/IMM

- **201-821-001 : Standalone Memory Test Aborted**

Variable range MTRR registers are larger than fixed range MTRR registers.

Recoverable

No

Severity

Warning

Serviceable

No

Automatically notify support

No

User Response

Complete the following steps:

1. Perform the actions mentioned one at a time and try the test after each action.
2. If the problem remains, contact your technical-service representative.
3. Turn off the system and disconnect it from power. Wait for 45 seconds. Reseat DIMM(s). Reconnect it to power.
4. Make sure that DSA and BIOS/uEFI are at the latest level.

Related links

- IBM Support website
- Latest level of DSA
- Latest level of BMC/IMM

- **201-821-002 : Standalone Memory Test Aborted**

Variable range MTRR registers are larger than fixed range MTRR registers.

Recoverable

No

Severity

Warning

Serviceable

No

Automatically notify support

No

User Response

Complete the following steps:

1. Perform the actions mentioned one at a time and try the test after each action.
2. If the problem remains, contact your technical-service representative.
3. Turn off the system and disconnect it from power. Wait for 45 seconds. Reseat DIMM(s). Reconnect it to power.
4. Make sure that DSA and BIOS/uEFI are at the latest level.

Related links

- IBM Support website
- Latest level of DSA
- Latest level of BMC/IMM

• 201-821-003 : Standalone Memory Test Aborted

Variable range MTRR registers are larger than fixed range MTRR registers.

Recoverable

No

Severity

Warning

Serviceable

No

Automatically notify support

No

User Response

Complete the following steps:

1. Perform the actions mentioned one at a time and try the test after each action.
2. If the problem remains, contact your technical-service representative.
3. Turn off the system and disconnect it from power. Wait for 45 seconds. Reseat DIMM(s). Reconnect it to power.
4. Make sure that DSA and BIOS/uEFI are at the latest level.

Related links

- IBM Support website
- Latest level of DSA
- Latest level of BMC/IMM

- **201-822-000 : Standalone Memory Test Aborted**

Invalid MTRR service request.

Recoverable

No

Severity

Warning

Serviceable

No

Automatically notify support

No

User Response

Complete the following steps:

1. Perform the actions mentioned one at a time and try the test after each action.
2. If the problem remains, contact your technical-service representative.
3. Turn off the system and disconnect it from power. Wait for 45 seconds. Reseat DIMM(s). Reconnect it to power.
4. Make sure that DSA and BIOS/uEFI are at the latest level.

Related links

- IBM Support website
- Latest level of DSA
- Latest level of BMC/IMM

- **201-822-001 : Standalone Memory Test Aborted**

Invalid MTRR service request.

Recoverable

No

Severity

Warning

Serviceable

No

Automatically notify support

No

User Response

Complete the following steps:

1. Perform the actions mentioned one at a time and try the test after each action.
2. If the problem remains, contact your technical-service representative.
3. Turn off the system and disconnect it from power. Wait for 45 seconds. Reseat DIMM(s). Reconnect it to power.
4. Make sure that DSA and BIOS/uEFI are at the latest level.

Related links

- IBM Support website
- Latest level of DSA
- Latest level of BMC/IMM

- **201-822-002 : Standalone Memory Test Aborted**

Invalid MTRR service request.

Recoverable

No

Severity

Warning

Serviceable

No

Automatically notify support

No

User Response

Complete the following steps:

1. Perform the actions mentioned one at a time and try the test after each action.
2. If the problem remains, contact your technical-service representative.
3. Turn off the system and disconnect it from power. Wait for 45 seconds. Reseat DIMM(s). Reconnect it to power.
4. Make sure that DSA and BIOS/uEFI are at the latest level.

Related links

- IBM Support website
- Latest level of DSA
- Latest level of BMC/IMM

- **201-822-003 : Standalone Memory Test Aborted**

Invalid MTRR service request.

Recoverable

No

Severity

Warning

Serviceable

No

Automatically notify support

No

User Response

Complete the following steps:

1. Perform the actions mentioned one at a time and try the test after each action.
2. If the problem remains, contact your technical-service representative.

3. Turn off the system and disconnect it from power. Wait for 45 seconds. Reseat DIMM(s). Reconnect it to power.
4. Make sure that DSA and BIOS/uEFI are at the latest level.

Related links

- IBM Support website
- Latest level of DSA
- Latest level of BMC/IMM

- **201-824-000 : Standalone Memory Test Aborted**

Node Interleave feature must be OFF. Go to Setup and disable Node Interleave option and then re-run the test.

Recoverable

No

Severity

Warning

Serviceable

No

Automatically notify support

No

User Response

Complete the following steps:

1. Perform the actions mentioned one at a time and try the test after each action.
2. If the problem remains, contact your technical-service representative.
3. Turn off the system and disconnect it from power. Wait for 45 seconds. Reseat DIMM(s). Reconnect it to power.
4. Make sure that DSA and BIOS/uEFI are at the latest level.

Related links

- IBM Support website
- Latest level of DSA
- Latest level of BMC/IMM

- **201-824-001 : Standalone Memory Test Aborted**

Node Interleave feature must be OFF. Go to Setup and disable Node Interleave option and then re-run the test.

Recoverable

No

Severity

Warning

Serviceable

No

Automatically notify support

No

User Response

Complete the following steps:

1. Perform the actions mentioned one at a time and try the test after each action.
2. If the problem remains, contact your technical-service representative.
3. Turn off the system and disconnect it from power. Wait for 45 seconds. Reseat DIMM(s). Reconnect it to power.
4. Make sure that DSA and BIOS/uEFI are at the latest level.

Related links

- IBM Support website
- Latest level of DSA
- Latest level of BMC/IMM

- **201-824-002 : Standalone Memory Test Aborted**

Node Interleave feature must be OFF. Go to Setup and disable Node Interleave option and then re-run the test.

Recoverable

No

Severity

Warning

Serviceable

No

Automatically notify support

No

User Response

Complete the following steps:

1. Perform the actions mentioned one at a time and try the test after each action.
2. If the problem remains, contact your technical-service representative.
3. Turn off the system and disconnect it from power. Wait for 45 seconds. Reseat DIMM(s). Reconnect it to power.
4. Make sure that DSA and BIOS/uEFI are at the latest level.

Related links

- IBM Support website
- Latest level of DSA
- Latest level of BMC/IMM

- **201-824-003 : Standalone Memory Test Aborted**

Node Interleave feature must be OFF. Go to Setup and disable Node Interleave option and then re-run the test.

Recoverable

No

Severity

Warning

Serviceable

No

Automatically notify support

No

User Response

Complete the following steps:

1. Perform the actions mentioned one at a time and try the test after each action.
2. If the problem remains, contact your technical-service representative.
3. Turn off the system and disconnect it from power. Wait for 45 seconds. Reseat DIMM(s). Reconnect it to power.
4. Make sure that DSA and BIOS/uEFI are at the latest level.

Related links

- IBM Support website
- Latest level of DSA
- Latest level of BMC/IMM

- **201-826-000 : Standalone Memory Test Aborted**

BIOS: Memory Controller has been disabled. Go to Setup and Enable Memory Controller.

Recoverable

No

Severity

Warning

Serviceable

No

Automatically notify support

No

User Response

Complete the following steps:

1. Perform the actions mentioned one at a time and try the test after each action.
2. If the problem remains, contact your technical-service representative.
3. Turn off the system and disconnect it from power. Wait for 45 seconds. Reseat DIMM(s). Reconnect it to power.
4. Make sure that DSA and BIOS/uEFI are at the latest level.

Related links

- IBM Support website
- Latest level of DSA
- Latest level of BMC/IMM

- **201-826-001 : Standalone Memory Test Aborted**

BIOS: Memory Controller has been disabled. Go to Setup and Enable Memory Controller.

Recoverable

No

Severity

Warning

Serviceable

No

Automatically notify support

No

User Response

Complete the following steps:

1. Perform the actions mentioned one at a time and try the test after each action.
2. If the problem remains, contact your technical-service representative.
3. Turn off the system and disconnect it from power. Wait for 45 seconds. Reseat DIMM(s). Reconnect it to power.
4. Make sure that DSA and BIOS/uEFI are at the latest level.

Related links

- IBM Support website
- Latest level of DSA
- Latest level of BMC/IMM

• **201-826-002 : Standalone Memory Test Aborted**

BIOS: Memory Controller has been disabled. Go to Setup and Enable Memory Controller.

Recoverable

No

Severity

Warning

Serviceable

No

Automatically notify support

No

User Response

Complete the following steps:

1. Perform the actions mentioned one at a time and try the test after each action.
2. If the problem remains, contact your technical-service representative.
3. Turn off the system and disconnect it from power. Wait for 45 seconds. Reseat DIMM(s). Reconnect it to power.
4. Make sure that DSA and BIOS/uEFI are at the latest level.

Related links

- IBM Support website
- Latest level of DSA

- Latest level of BMC/IMM

- **201-826-003 : Standalone Memory Test Aborted**

BIOS: Memory Controller has been disabled. Go to Setup and Enable Memory Controller.

Recoverable

No

Severity

Warning

Serviceable

No

Automatically notify support

No

User Response

Complete the following steps:

1. Perform the actions mentioned one at a time and try the test after each action.
2. If the problem remains, contact your technical-service representative.
3. Turn off the system and disconnect it from power. Wait for 45 seconds. Reseat DIMM(s). Reconnect it to power.
4. Make sure that DSA and BIOS/uEFI are at the latest level.

Related links

- IBM Support website
- Latest level of DSA
- Latest level of BMC/IMM

- **201-827-000 : Standalone Memory Test Aborted**

BIOS: ECC function has been disabled by BIOS. Go to Setup and enable ECC generation.

Recoverable

No

Severity

Warning

Serviceable

No

Automatically notify support

No

User Response

Complete the following steps:

1. Perform the actions mentioned one at a time and try the test after each action.
2. If the problem remains, contact your technical-service representative.
3. Turn off the system and disconnect it from power. Wait for 45 seconds. Reseat DIMM(s). Reconnect it to power.
4. Make sure that DSA and BIOS/uEFI are at the latest level.

Related links

- IBM Support website
- Latest level of DSA
- Latest level of BMC/IMM

- **201-827-001 : Standalone Memory Test Aborted**

BIOS: ECC function has been disabled by BIOS. Go to Setup and enable ECC generation.

Recoverable

No

Severity

Warning

Serviceable

No

Automatically notify support

No

User Response

Complete the following steps:

1. Perform the actions mentioned one at a time and try the test after each action.
2. If the problem remains, contact your technical-service representative.
3. Turn off the system and disconnect it from power. Wait for 45 seconds. Reseat DIMM(s). Reconnect it to power.
4. Make sure that DSA and BIOS/uEFI are at the latest level.

Related links

- IBM Support website
- Latest level of DSA
- Latest level of BMC/IMM

- **201-827-002 : Standalone Memory Test Aborted**

BIOS: ECC function has been disabled by BIOS. Go to Setup and enable ECC generation.

Recoverable

No

Severity

Warning

Serviceable

No

Automatically notify support

No

User Response

Complete the following steps:

1. Perform the actions mentioned one at a time and try the test after each action.
2. If the problem remains, contact your technical-service representative.

3. Turn off the system and disconnect it from power. Wait for 45 seconds. Reseat DIMM(s). Reconnect it to power.
4. Make sure that DSA and BIOS/uEFI are at the latest level.

Related links

- IBM Support website
- Latest level of DSA
- Latest level of BMC/IMM

- **201-827-003 : Standalone Memory Test Aborted**

BIOS: ECC function has been disabled by BIOS. Go to Setup and enable ECC generation.

Recoverable

No

Severity

Warning

Serviceable

No

Automatically notify support

No

User Response

Complete the following steps:

1. Perform the actions mentioned one at a time and try the test after each action.
2. If the problem remains, contact your technical-service representative.
3. Turn off the system and disconnect it from power. Wait for 45 seconds. Reseat DIMM(s). Reconnect it to power.
4. Make sure that DSA and BIOS/uEFI are at the latest level.

Related links

- IBM Support website
- Latest level of DSA
- Latest level of BMC/IMM

- **201-844-000 : Standalone Memory Test Aborted**

Chipset Error: Problem in masking MSR machine check control MASK registers.

Recoverable

No

Severity

Warning

Serviceable

No

Automatically notify support

No

User Response

Complete the following steps:

1. Perform the actions mentioned one at a time and try the test after each action.
2. If the problem remains, contact your technical-service representative.
3. Turn off the system and disconnect it from power. Wait for 45 seconds. Reseat DIMM(s). Reconnect it to power.
4. Make sure that DSA and BIOS/uEFI are at the latest level.

Related links

- IBM Support website
- Latest level of DSA
- Latest level of BMC/IMM

• 201-844-001 : Standalone Memory Test Aborted

Chipset Error: Problem in masking MSR machine check control MASK registers.

Recoverable

No

Severity

Warning

Serviceable

No

Automatically notify support

No

User Response

Complete the following steps:

1. Perform the actions mentioned one at a time and try the test after each action.
2. If the problem remains, contact your technical-service representative.
3. Turn off the system and disconnect it from power. Wait for 45 seconds. Reseat DIMM(s). Reconnect it to power.
4. Make sure that DSA and BIOS/uEFI are at the latest level.

Related links

- IBM Support website
- Latest level of DSA
- Latest level of BMC/IMM

• 201-844-002 : Standalone Memory Test Aborted

Chipset Error: Problem in masking MSR machine check control MASK registers.

Recoverable

No

Severity

Warning

Serviceable

No

Automatically notify support

No

User Response

Complete the following steps:

1. Perform the actions mentioned one at a time and try the test after each action.
2. If the problem remains, contact your technical-service representative.
3. Turn off the system and disconnect it from power. Wait for 45 seconds. Reseat DIMM(s). Reconnect it to power.
4. Make sure that DSA and BIOS/uEFI are at the latest level.

Related links

- IBM Support website
- Latest level of DSA
- Latest level of BMC/IMM

- **201-844-003 : Standalone Memory Test Aborted**

Chipset Error: Problem in masking MSR machine check control MASK registers.

Recoverable

No

Severity

Warning

Serviceable

No

Automatically notify support

No

User Response

Complete the following steps:

1. Perform the actions mentioned one at a time and try the test after each action.
2. If the problem remains, contact your technical-service representative.
3. Turn off the system and disconnect it from power. Wait for 45 seconds. Reseat DIMM(s). Reconnect it to power.
4. Make sure that DSA and BIOS/uEFI are at the latest level.

Related links

- IBM Support website
- Latest level of DSA
- Latest level of BMC/IMM

- **201-845-000 : Standalone Memory Test Aborted**

Chipset Error: Problem clearing MSR machine check control registers.

Recoverable

No

Severity

Warning

Serviceable

No

Automatically notify support

No

User Response

Complete the following steps:

1. Perform the actions mentioned one at a time and try the test after each action.
2. If the problem remains, contact your technical-service representative.
3. Turn off the system and disconnect it from power. Wait for 45 seconds. Reseat DIMM(s). Reconnect it to power.
4. Make sure that DSA and BIOS/uEFI are at the latest level.

Related links

- IBM Support website
- Latest level of DSA
- Latest level of BMC/IMM

• 201-845-001 : Standalone Memory Test Aborted

Chipset Error: Problem clearing MSR machine check control registers.

Recoverable

No

Severity

Warning

Serviceable

No

Automatically notify support

No

User Response

Complete the following steps:

1. Perform the actions mentioned one at a time and try the test after each action.
2. If the problem remains, contact your technical-service representative.
3. Turn off the system and disconnect it from power. Wait for 45 seconds. Reseat DIMM(s). Reconnect it to power.
4. Make sure that DSA and BIOS/uEFI are at the latest level.

Related links

- IBM Support website
- Latest level of DSA
- Latest level of BMC/IMM

- **201-845-002 : Standalone Memory Test Aborted**

Chipset Error: Problem clearing MSR machine check control registers.

Recoverable

No

Severity

Warning

Serviceable

No

Automatically notify support

No

User Response

Complete the following steps:

1. Perform the actions mentioned one at a time and try the test after each action.
2. If the problem remains, contact your technical-service representative.
3. Turn off the system and disconnect it from power. Wait for 45 seconds. Reseat DIMM(s). Reconnect it to power.
4. Make sure that DSA and BIOS/uEFI are at the latest level.

Related links

- IBM Support website
- Latest level of DSA
- Latest level of BMC/IMM

- **201-845-003 : Standalone Memory Test Aborted**

Chipset Error: Problem clearing MSR machine check control registers.

Recoverable

No

Severity

Warning

Serviceable

No

Automatically notify support

No

User Response

Complete the following steps:

1. Perform the actions mentioned one at a time and try the test after each action.
2. If the problem remains, contact your technical-service representative.
3. Turn off the system and disconnect it from power. Wait for 45 seconds. Reseat DIMM(s). Reconnect it to power.
4. Make sure that DSA and BIOS/uEFI are at the latest level.

Related links

- IBM Support website
- Latest level of DSA
- Latest level of BMC/IMM

- **201-859-000 : Standalone Memory Test Aborted**

INVALID XSECSRAT type.

Recoverable

No

Severity

Warning

Serviceable

No

Automatically notify support

No

User Response

Complete the following steps:

1. Perform the actions mentioned one at a time and try the test after each action.
2. If the problem remains, contact your technical-service representative.
3. Turn off the system and disconnect it from power. Wait for 45 seconds. Reseat DIMM(s). Reconnect it to power.
4. Make sure that DSA and BIOS/uEFI are at the latest level.

Related links

- IBM Support website
- Latest level of DSA
- Latest level of BMC/IMM

- **201-859-001 : Standalone Memory Test Aborted**

INVALID XSECSRAT type.

Recoverable

No

Severity

Warning

Serviceable

No

Automatically notify support

No

User Response

Complete the following steps:

1. Perform the actions mentioned one at a time and try the test after each action.
2. If the problem remains, contact your technical-service representative.

3. Turn off the system and disconnect it from power. Wait for 45 seconds. Reseat DIMM(s). Reconnect it to power.
4. Make sure that DSA and BIOS/uEFI are at the latest level.

Related links

- IBM Support website
- Latest level of DSA
- Latest level of BMC/IMM

- **201-859-002 : Standalone Memory Test Aborted**

INVALID XSECSRAT type.

Recoverable

No

Severity

Warning

Serviceable

No

Automatically notify support

No

User Response

Complete the following steps:

1. Perform the actions mentioned one at a time and try the test after each action.
2. If the problem remains, contact your technical-service representative.
3. Turn off the system and disconnect it from power. Wait for 45 seconds. Reseat DIMM(s). Reconnect it to power.
4. Make sure that DSA and BIOS/uEFI are at the latest level.

Related links

- IBM Support website
- Latest level of DSA
- Latest level of BMC/IMM

- **201-859-003 : Standalone Memory Test Aborted**

INVALID XSECSRAT type.

Recoverable

No

Severity

Warning

Serviceable

No

Automatically notify support

No

User Response

Complete the following steps:

1. Perform the actions mentioned one at a time and try the test after each action.
2. If the problem remains, contact your technical-service representative.
3. Turn off the system and disconnect it from power. Wait for 45 seconds. Reseat DIMM(s). Reconnect it to power.
4. Make sure that DSA and BIOS/uEFI are at the latest level.

Related links

- IBM Support website
- Latest level of DSA
- Latest level of BMC/IMM

• 201-860-000 : Standalone Memory Test Aborted

No OEM0 type 1 found.

Recoverable

No

Severity

Warning

Serviceable

No

Automatically notify support

No

User Response

Complete the following steps:

1. Perform the actions mentioned one at a time and try the test after each action.
2. If the problem remains, contact your technical-service representative.
3. Turn off the system and disconnect it from power. Wait for 45 seconds. Reseat DIMM(s). Reconnect it to power.
4. Make sure that DSA and BIOS/uEFI are at the latest level.

Related links

- IBM Support website
- Latest level of DSA
- Latest level of BMC/IMM

• 201-860-001 : Standalone Memory Test Aborted

No OEM0 type 1 found.

Recoverable

No

Severity

Warning

Serviceable

No

Automatically notify support

No

User Response

Complete the following steps:

1. Perform the actions mentioned one at a time and try the test after each action.
2. If the problem remains, contact your technical-service representative.
3. Turn off the system and disconnect it from power. Wait for 45 seconds. Reseat DIMM(s). Reconnect it to power.
4. Make sure that DSA and BIOS/uEFI are at the latest level.

Related links

- IBM Support website
- Latest level of DSA
- Latest level of BMC/IMM

- **201-860-002 : Standalone Memory Test Aborted**

No OEM0 type 1 found.

Recoverable

No

Severity

Warning

Serviceable

No

Automatically notify support

No

User Response

Complete the following steps:

1. Perform the actions mentioned one at a time and try the test after each action.
2. If the problem remains, contact your technical-service representative.
3. Turn off the system and disconnect it from power. Wait for 45 seconds. Reseat DIMM(s). Reconnect it to power.
4. Make sure that DSA and BIOS/uEFI are at the latest level.

Related links

- IBM Support website
- Latest level of DSA
- Latest level of BMC/IMM

- **201-860-003 : Standalone Memory Test Aborted**

No OEM0 type 1 found.

Recoverable

No

Severity

Warning

Serviceable

No

Automatically notify support

No

User Response

Complete the following steps:

1. Perform the actions mentioned one at a time and try the test after each action.
2. If the problem remains, contact your technical-service representative.
3. Turn off the system and disconnect it from power. Wait for 45 seconds. Reseat DIMM(s). Reconnect it to power.
4. Make sure that DSA and BIOS/uEFI are at the latest level.

Related links

- IBM Support website
- Latest level of DSA
- Latest level of BMC/IMM

• 201-861-000 : Standalone Memory Test Aborted

No SRAT type 1 found.

Recoverable

No

Severity

Warning

Serviceable

No

Automatically notify support

No

User Response

Complete the following steps:

1. Perform the actions mentioned one at a time and try the test after each action.
2. If the problem remains, contact your technical-service representative.
3. Turn off the system and disconnect it from power. Wait for 45 seconds. Reseat DIMM(s). Reconnect it to power.
4. Make sure that DSA and BIOS/uEFI are at the latest level.

Related links

- IBM Support website
- Latest level of DSA
- Latest level of BMC/IMM

- **201-861-001 : Standalone Memory Test Aborted**

No SRAT type 1 found.

Recoverable

No

Severity

Warning

Serviceable

No

Automatically notify support

No

User Response

Complete the following steps:

1. Perform the actions mentioned one at a time and try the test after each action.
2. If the problem remains, contact your technical-service representative.
3. Turn off the system and disconnect it from power. Wait for 45 seconds. Reseat DIMM(s). Reconnect it to power.
4. Make sure that DSA and BIOS/uEFI are at the latest level.

Related links

- IBM Support website
- Latest level of DSA
- Latest level of BMC/IMM

- **201-861-002 : Standalone Memory Test Aborted**

No SRAT type 1 found.

Recoverable

No

Severity

Warning

Serviceable

No

Automatically notify support

No

User Response

Complete the following steps:

1. Perform the actions mentioned one at a time and try the test after each action.
2. If the problem remains, contact your technical-service representative.
3. Turn off the system and disconnect it from power. Wait for 45 seconds. Reseat DIMM(s). Reconnect it to power.
4. Make sure that DSA and BIOS/uEFI are at the latest level.

Related links

- IBM Support website
- Latest level of DSA
- Latest level of BMC/IMM

- **201-861-003 : Standalone Memory Test Aborted**

No SRAT type 1 found.

Recoverable

No

Severity

Warning

Serviceable

No

Automatically notify support

No

User Response

Complete the following steps:

1. Perform the actions mentioned one at a time and try the test after each action.
2. If the problem remains, contact your technical-service representative.
3. Turn off the system and disconnect it from power. Wait for 45 seconds. Reseat DIMM(s). Reconnect it to power.
4. Make sure that DSA and BIOS/uEFI are at the latest level.

Related links

- IBM Support website
- Latest level of DSA
- Latest level of BMC/IMM

- **201-862-000 : Standalone Memory Test Aborted**

No OEM1 structure found.

Recoverable

No

Severity

Warning

Serviceable

No

Automatically notify support

No

User Response

Complete the following steps:

1. Perform the actions mentioned one at a time and try the test after each action.
2. If the problem remains, contact your technical-service representative.

3. Turn off the system and disconnect it from power. Wait for 45 seconds. Reseat DIMM(s). Reconnect it to power.
4. Make sure that DSA and BIOS/uEFI are at the latest level.

Related links

- IBM Support website
- Latest level of DSA
- Latest level of BMC/IMM

- **201-862-001 : Standalone Memory Test Aborted**

No OEM1 structure found.

Recoverable

No

Severity

Warning

Serviceable

No

Automatically notify support

No

User Response

Complete the following steps:

1. Perform the actions mentioned one at a time and try the test after each action.
2. If the problem remains, contact your technical-service representative.
3. Turn off the system and disconnect it from power. Wait for 45 seconds. Reseat DIMM(s). Reconnect it to power.
4. Make sure that DSA and BIOS/uEFI are at the latest level.

Related links

- IBM Support website
- Latest level of DSA
- Latest level of BMC/IMM

- **201-862-002 : Standalone Memory Test Aborted**

No OEM1 structure found.

Recoverable

No

Severity

Warning

Serviceable

No

Automatically notify support

No

User Response

Complete the following steps:

1. Perform the actions mentioned one at a time and try the test after each action.
2. If the problem remains, contact your technical-service representative.
3. Turn off the system and disconnect it from power. Wait for 45 seconds. Reseat DIMM(s). Reconnect it to power.
4. Make sure that DSA and BIOS/uEFI are at the latest level.

Related links

- IBM Support website
- Latest level of DSA
- Latest level of BMC/IMM

• 201-862-003 : Standalone Memory Test Aborted

No OEM1 structure found.

Recoverable

No

Severity

Warning

Serviceable

No

Automatically notify support

No

User Response

Complete the following steps:

1. Perform the actions mentioned one at a time and try the test after each action.
2. If the problem remains, contact your technical-service representative.
3. Turn off the system and disconnect it from power. Wait for 45 seconds. Reseat DIMM(s). Reconnect it to power.
4. Make sure that DSA and BIOS/uEFI are at the latest level.

Related links

- IBM Support website
- Latest level of DSA
- Latest level of BMC/IMM

• 201-863-000 : Standalone Memory Test Aborted

No IBMERROR key in OEM1 structure.

Recoverable

No

Severity

Warning

Serviceable

No

Automatically notify support

No

User Response

Complete the following steps:

1. Perform the actions mentioned one at a time and try the test after each action.
2. If the problem remains, contact your technical-service representative.
3. Turn off the system and disconnect it from power. Wait for 45 seconds. Reseat DIMM(s). Reconnect it to power.
4. Make sure that DSA and BIOS/uEFI are at the latest level.

Related links

- IBM Support website
- Latest level of DSA
- Latest level of BMC/IMM

- **201-863-001 : Standalone Memory Test Aborted**

No IBMERROR key in OEM1 structure.

Recoverable

No

Severity

Warning

Serviceable

No

Automatically notify support

No

User Response

Complete the following steps:

1. Perform the actions mentioned one at a time and try the test after each action.
2. If the problem remains, contact your technical-service representative.
3. Turn off the system and disconnect it from power. Wait for 45 seconds. Reseat DIMM(s). Reconnect it to power.
4. Make sure that DSA and BIOS/uEFI are at the latest level.

Related links

- IBM Support website
- Latest level of DSA
- Latest level of BMC/IMM

- **201-863-002 : Standalone Memory Test Aborted**

No IBMERROR key in OEM1 structure.

Recoverable

No

Severity

Warning

Serviceable

No

Automatically notify support

No

User Response

Complete the following steps:

1. Perform the actions mentioned one at a time and try the test after each action.
2. If the problem remains, contact your technical-service representative.
3. Turn off the system and disconnect it from power. Wait for 45 seconds. Reseat DIMM(s). Reconnect it to power.
4. Make sure that DSA and BIOS/uEFI are at the latest level.

Related links

- IBM Support website
- Latest level of DSA
- Latest level of BMC/IMM

• 201-863-003 : Standalone Memory Test Aborted

No IBMERROR key in OEM1 structure.

Recoverable

No

Severity

Warning

Serviceable

No

Automatically notify support

No

User Response

Complete the following steps:

1. Perform the actions mentioned one at a time and try the test after each action.
2. If the problem remains, contact your technical-service representative.
3. Turn off the system and disconnect it from power. Wait for 45 seconds. Reseat DIMM(s). Reconnect it to power.
4. Make sure that DSA and BIOS/uEFI are at the latest level.

Related links

- IBM Support website
- Latest level of DSA
- Latest level of BMC/IMM

- **201-864-000 : Standalone Memory Test Aborted**

No GAS located in OEM1.

Recoverable

No

Severity

Warning

Serviceable

No

Automatically notify support

No

User Response

Complete the following steps:

1. Perform the actions mentioned one at a time and try the test after each action.
2. If the problem remains, contact your technical-service representative.
3. Turn off the system and disconnect it from power. Wait for 45 seconds. Reseat DIMM(s). Reconnect it to power.
4. Make sure that DSA and BIOS/uEFI are at the latest level.

Related links

- IBM Support website
- Latest level of DSA
- Latest level of BMC/IMM

- **201-864-001 : Standalone Memory Test Aborted**

No GAS located in OEM1.

Recoverable

No

Severity

Warning

Serviceable

No

Automatically notify support

No

User Response

Complete the following steps:

1. Perform the actions mentioned one at a time and try the test after each action.
2. If the problem remains, contact your technical-service representative.
3. Turn off the system and disconnect it from power. Wait for 45 seconds. Reseat DIMM(s). Reconnect it to power.
4. Make sure that DSA and BIOS/uEFI are at the latest level.

Related links

- IBM Support website
- Latest level of DSA
- Latest level of BMC/IMM

- **201-864-002 : Standalone Memory Test Aborted**

No GAS located in OEM1.

Recoverable

No

Severity

Warning

Serviceable

No

Automatically notify support

No

User Response

Complete the following steps:

1. Perform the actions mentioned one at a time and try the test after each action.
2. If the problem remains, contact your technical-service representative.
3. Turn off the system and disconnect it from power. Wait for 45 seconds. Reseat DIMM(s). Reconnect it to power.
4. Make sure that DSA and BIOS/uEFI are at the latest level.

Related links

- IBM Support website
- Latest level of DSA
- Latest level of BMC/IMM

- **201-864-003 : Standalone Memory Test Aborted**

No GAS located in OEM1.

Recoverable

No

Severity

Warning

Serviceable

No

Automatically notify support

No

User Response

Complete the following steps:

1. Perform the actions mentioned one at a time and try the test after each action.
2. If the problem remains, contact your technical-service representative.

3. Turn off the system and disconnect it from power. Wait for 45 seconds. Reseat DIMM(s). Reconnect it to power.
4. Make sure that DSA and BIOS/uEFI are at the latest level.

Related links

- IBM Support website
- Latest level of DSA
- Latest level of BMC/IMM

- **201-865-000 : Standalone Memory Test Aborted**

No XSECSRAT key in OEM0 structure.

Recoverable

No

Severity

Warning

Serviceable

No

Automatically notify support

No

User Response

Complete the following steps:

1. Perform the actions mentioned one at a time and try the test after each action.
2. If the problem remains, contact your technical-service representative.
3. Turn off the system and disconnect it from power. Wait for 45 seconds. Reseat DIMM(s). Reconnect it to power.
4. Make sure that DSA and BIOS/uEFI are at the latest level.

Related links

- IBM Support website
- Latest level of DSA
- Latest level of BMC/IMM

- **201-865-001 : Standalone Memory Test Aborted**

No XSECSRAT key in OEM0 structure.

Recoverable

No

Severity

Warning

Serviceable

No

Automatically notify support

No

User Response

Complete the following steps:

1. Perform the actions mentioned one at a time and try the test after each action.
2. If the problem remains, contact your technical-service representative.
3. Turn off the system and disconnect it from power. Wait for 45 seconds. Reseat DIMM(s). Reconnect it to power.
4. Make sure that DSA and BIOS/uEFI are at the latest level.

Related links

- IBM Support website
- Latest level of DSA
- Latest level of BMC/IMM

• **201-865-002 : Standalone Memory Test Aborted**

No XSECSRAT key in OEM0 structure.

Recoverable

No

Severity

Warning

Serviceable

No

Automatically notify support

No

User Response

Complete the following steps:

1. Perform the actions mentioned one at a time and try the test after each action.
2. If the problem remains, contact your technical-service representative.
3. Turn off the system and disconnect it from power. Wait for 45 seconds. Reseat DIMM(s). Reconnect it to power.
4. Make sure that DSA and BIOS/uEFI are at the latest level.

Related links

- IBM Support website
- Latest level of DSA
- Latest level of BMC/IMM

• **201-865-003 : Standalone Memory Test Aborted**

No XSECSRAT key in OEM0 structure.

Recoverable

No

Severity

Warning

Serviceable

No

Automatically notify support

No

User Response

Complete the following steps:

1. Perform the actions mentioned one at a time and try the test after each action.
2. If the problem remains, contact your technical-service representative.
3. Turn off the system and disconnect it from power. Wait for 45 seconds. Reseat DIMM(s). Reconnect it to power.
4. Make sure that DSA and BIOS/uEFI are at the latest level.

Related links

- IBM Support website
- Latest level of DSA
- Latest level of BMC/IMM

- **201-866-000 : Standalone Memory Test Aborted**

EFI-SAL Invalid parameter from GetMemoryMap function.

Recoverable

No

Severity

Warning

Serviceable

No

Automatically notify support

No

User Response

Complete the following steps:

1. Perform the actions mentioned one at a time and try the test after each action.
2. If the problem remains, contact your technical-service representative.
3. Turn off the system and disconnect it from power. Wait for 45 seconds. Reseat DIMM(s). Reconnect it to power.
4. Make sure that DSA and BIOS/uEFI are at the latest level.

Related links

- IBM Support website
- Latest level of DSA
- Latest level of BMC/IMM

- **201-866-001 : Standalone Memory Test Aborted**

EFI-SAL Invalid parameter from GetMemoryMap function.

Recoverable

No

Severity

Warning

Serviceable

No

Automatically notify support

No

User Response

Complete the following steps:

1. Perform the actions mentioned one at a time and try the test after each action.
2. If the problem remains, contact your technical-service representative.
3. Turn off the system and disconnect it from power. Wait for 45 seconds. Reseat DIMM(s). Reconnect it to power.
4. Make sure that DSA and BIOS/uEFI are at the latest level.

Related links

- IBM Support website
- Latest level of DSA
- Latest level of BMC/IMM

• 201-866-002 : Standalone Memory Test Aborted

EFI-SAL Invalid parameter from GetMemoryMap function.

Recoverable

No

Severity

Warning

Serviceable

No

Automatically notify support

No

User Response

Complete the following steps:

1. Perform the actions mentioned one at a time and try the test after each action.
2. If the problem remains, contact your technical-service representative.
3. Turn off the system and disconnect it from power. Wait for 45 seconds. Reseat DIMM(s). Reconnect it to power.
4. Make sure that DSA and BIOS/uEFI are at the latest level.

Related links

- IBM Support website
- Latest level of DSA
- Latest level of BMC/IMM

- **201-866-003 : Standalone Memory Test Aborted**

EFI-SAL Invalid parameter from GetMemoryMap function.

Recoverable

No

Severity

Warning

Serviceable

No

Automatically notify support

No

User Response

Complete the following steps:

1. Perform the actions mentioned one at a time and try the test after each action.
2. If the problem remains, contact your technical-service representative.
3. Turn off the system and disconnect it from power. Wait for 45 seconds. Reseat DIMM(s). Reconnect it to power.
4. Make sure that DSA and BIOS/uEFI are at the latest level.

Related links

- IBM Support website
- Latest level of DSA
- Latest level of BMC/IMM

- **201-867-000 : Standalone Memory Test Aborted**

EFI/SAL: Buffer not allocated.

Recoverable

No

Severity

Warning

Serviceable

No

Automatically notify support

No

User Response

Complete the following steps:

1. Perform the actions mentioned one at a time and try the test after each action.
2. If the problem remains, contact your technical-service representative.
3. Turn off the system and disconnect it from power. Wait for 45 seconds. Reseat DIMM(s). Reconnect it to power.
4. Make sure that DSA and BIOS/uEFI are at the latest level.

Related links

- IBM Support website
- Latest level of DSA
- Latest level of BMC/IMM

- **201-867-001 : Standalone Memory Test Aborted**

EFI/SAL: Buffer not allocated.

Recoverable

No

Severity

Warning

Serviceable

No

Automatically notify support

No

User Response

Complete the following steps:

1. Perform the actions mentioned one at a time and try the test after each action.
2. If the problem remains, contact your technical-service representative.
3. Turn off the system and disconnect it from power. Wait for 45 seconds. Reseat DIMM(s). Reconnect it to power.
4. Make sure that DSA and BIOS/uEFI are at the latest level.

Related links

- IBM Support website
- Latest level of DSA
- Latest level of BMC/IMM

- **201-867-002 : Standalone Memory Test Aborted**

EFI/SAL: Buffer not allocated.

Recoverable

No

Severity

Warning

Serviceable

No

Automatically notify support

No

User Response

Complete the following steps:

1. Perform the actions mentioned one at a time and try the test after each action.
2. If the problem remains, contact your technical-service representative.

3. Turn off the system and disconnect it from power. Wait for 45 seconds. Reseat DIMM(s). Reconnect it to power.
4. Make sure that DSA and BIOS/uEFI are at the latest level.

Related links

- IBM Support website
- Latest level of DSA
- Latest level of BMC/IMM

- **201-867-003 : Standalone Memory Test Aborted**

EFI/SAL: Buffer not allocated.

Recoverable

No

Severity

Warning

Serviceable

No

Automatically notify support

No

User Response

Complete the following steps:

1. Perform the actions mentioned one at a time and try the test after each action.
2. If the problem remains, contact your technical-service representative.
3. Turn off the system and disconnect it from power. Wait for 45 seconds. Reseat DIMM(s). Reconnect it to power.
4. Make sure that DSA and BIOS/uEFI are at the latest level.

Related links

- IBM Support website
- Latest level of DSA
- Latest level of BMC/IMM

- **201-868-000 : Standalone Memory Test Aborted**

EFI/SAL: Buffer allocated in GetMemoryMap too small.

Recoverable

No

Severity

Warning

Serviceable

No

Automatically notify support

No

User Response

Complete the following steps:

1. Perform the actions mentioned one at a time and try the test after each action.
2. If the problem remains, contact your technical-service representative.
3. Turn off the system and disconnect it from power. Wait for 45 seconds. Reseat DIMM(s). Reconnect it to power.
4. Make sure that DSA and BIOS/uEFI are at the latest level.

Related links

- IBM Support website
- Latest level of DSA
- Latest level of BMC/IMM

• 201-868-001 : Standalone Memory Test Aborted

EFI/SAL: Buffer allocated in GetMemoryMap too small.

Recoverable

No

Severity

Warning

Serviceable

No

Automatically notify support

No

User Response

Complete the following steps:

1. Perform the actions mentioned one at a time and try the test after each action.
2. If the problem remains, contact your technical-service representative.
3. Turn off the system and disconnect it from power. Wait for 45 seconds. Reseat DIMM(s). Reconnect it to power.
4. Make sure that DSA and BIOS/uEFI are at the latest level.

Related links

- IBM Support website
- Latest level of DSA
- Latest level of BMC/IMM

• 201-868-002 : Standalone Memory Test Aborted

EFI/SAL: Buffer allocated in GetMemoryMap too small.

Recoverable

No

Severity

Warning

Serviceable

No

Automatically notify support

No

User Response

Complete the following steps:

1. Perform the actions mentioned one at a time and try the test after each action.
2. If the problem remains, contact your technical-service representative.
3. Turn off the system and disconnect it from power. Wait for 45 seconds. Reseat DIMM(s). Reconnect it to power.
4. Make sure that DSA and BIOS/uEFI are at the latest level.

Related links

- IBM Support website
- Latest level of DSA
- Latest level of BMC/IMM

- **201-868-003 : Standalone Memory Test Aborted**

EFI/SAL: Buffer allocated in GetMemoryMap too small.

Recoverable

No

Severity

Warning

Serviceable

No

Automatically notify support

No

User Response

Complete the following steps:

1. Perform the actions mentioned one at a time and try the test after each action.
2. If the problem remains, contact your technical-service representative.
3. Turn off the system and disconnect it from power. Wait for 45 seconds. Reseat DIMM(s). Reconnect it to power.
4. Make sure that DSA and BIOS/uEFI are at the latest level.

Related links

- IBM Support website
- Latest level of DSA
- Latest level of BMC/IMM

- **201-869-000 : Standalone Memory Test Aborted**

EFI/SAL Invalid parameter from GetMemoryMap function.

Recoverable

No

Severity

Warning

Serviceable

No

Automatically notify support

No

User Response

Complete the following steps:

1. Perform the actions mentioned one at a time and try the test after each action.
2. If the problem remains, contact your technical-service representative.
3. Turn off the system and disconnect it from power. Wait for 45 seconds. Reseat DIMM(s). Reconnect it to power.
4. Make sure that DSA and BIOS/uEFI are at the latest level.

Related links

- IBM Support website
- Latest level of DSA
- Latest level of BMC/IMM

• 201-869-001 : Standalone Memory Test Aborted

EFI/SAL Invalid parameter from GetMemoryMap function.

Recoverable

No

Severity

Warning

Serviceable

No

Automatically notify support

No

User Response

Complete the following steps:

1. Perform the actions mentioned one at a time and try the test after each action.
2. If the problem remains, contact your technical-service representative.
3. Turn off the system and disconnect it from power. Wait for 45 seconds. Reseat DIMM(s). Reconnect it to power.
4. Make sure that DSA and BIOS/uEFI are at the latest level.

Related links

- IBM Support website
- Latest level of DSA
- Latest level of BMC/IMM

- **201-869-002 : Standalone Memory Test Aborted**

EFI/SAL Invalid parameter from GetMemoryMap function.

Recoverable

No

Severity

Warning

Serviceable

No

Automatically notify support

No

User Response

Complete the following steps:

1. Perform the actions mentioned one at a time and try the test after each action.
2. If the problem remains, contact your technical-service representative.
3. Turn off the system and disconnect it from power. Wait for 45 seconds. Reseat DIMM(s). Reconnect it to power.
4. Make sure that DSA and BIOS/uEFI are at the latest level.

Related links

- IBM Support website
- Latest level of DSA
- Latest level of BMC/IMM

- **201-869-003 : Standalone Memory Test Aborted**

EFI/SAL Invalid parameter from GetMemoryMap function.

Recoverable

No

Severity

Warning

Serviceable

No

Automatically notify support

No

User Response

Complete the following steps:

1. Perform the actions mentioned one at a time and try the test after each action.
2. If the problem remains, contact your technical-service representative.
3. Turn off the system and disconnect it from power. Wait for 45 seconds. Reseat DIMM(s). Reconnect it to power.
4. Make sure that DSA and BIOS/uEFI are at the latest level.

Related links

- IBM Support website
- Latest level of DSA
- Latest level of BMC/IMM

- **201-870-000 : Standalone Memory Test Aborted**

CPU Doamin in ACPI not valid.

Recoverable

No

Severity

Warning

Serviceable

No

Automatically notify support

No

User Response

Complete the following steps:

1. Perform the actions mentioned one at a time and try the test after each action.
2. If the problem remains, contact your technical-service representative.
3. Turn off the system and disconnect it from power. Wait for 45 seconds. Reseat DIMM(s). Reconnect it to power.
4. Make sure that DSA and BIOS/uEFI are at the latest level.

Related links

- IBM Support website
- Latest level of DSA
- Latest level of BMC/IMM

- **201-870-001 : Standalone Memory Test Aborted**

CPU Doamin in ACPI not valid.

Recoverable

No

Severity

Warning

Serviceable

No

Automatically notify support

No

User Response

Complete the following steps:

1. Perform the actions mentioned one at a time and try the test after each action.
2. If the problem remains, contact your technical-service representative.

3. Turn off the system and disconnect it from power. Wait for 45 seconds. Reseat DIMM(s). Reconnect it to power.
4. Make sure that DSA and BIOS/uEFI are at the latest level.

Related links

- IBM Support website
- Latest level of DSA
- Latest level of BMC/IMM

- **201-870-002 : Standalone Memory Test Aborted**

CPU Doamin in ACPI not valid.

Recoverable

No

Severity

Warning

Serviceable

No

Automatically notify support

No

User Response

Complete the following steps:

1. Perform the actions mentioned one at a time and try the test after each action.
2. If the problem remains, contact your technical-service representative.
3. Turn off the system and disconnect it from power. Wait for 45 seconds. Reseat DIMM(s). Reconnect it to power.
4. Make sure that DSA and BIOS/uEFI are at the latest level.

Related links

- IBM Support website
- Latest level of DSA
- Latest level of BMC/IMM

- **201-870-003 : Standalone Memory Test Aborted**

CPU Doamin in ACPI not valid.

Recoverable

No

Severity

Warning

Serviceable

No

Automatically notify support

No

User Response

Complete the following steps:

1. Perform the actions mentioned one at a time and try the test after each action.
2. If the problem remains, contact your technical-service representative.
3. Turn off the system and disconnect it from power. Wait for 45 seconds. Reseat DIMM(s). Reconnect it to power.
4. Make sure that DSA and BIOS/uEFI are at the latest level.

Related links

- IBM Support website
- Latest level of DSA
- Latest level of BMC/IMM

• 201-871-000 : Standalone Memory Test Aborted

Data Mis-compare encountered.

Recoverable

No

Severity

Warning

Serviceable

No

Automatically notify support

No

User Response

Complete the following steps:

1. Perform the actions mentioned one at a time and try the test after each action.
2. If the problem remains, contact your technical-service representative.
3. Turn off the system and disconnect it from power. Wait for 45 seconds. Reseat DIMM(s). Reconnect it to power.
4. Make sure that DSA and BIOS/uEFI are at the latest level.

Related links

- IBM Support website
- Latest level of DSA
- Latest level of BMC/IMM

• 201-871-001 : Standalone Memory Test Aborted

Data Mis-compare encountered.

Recoverable

No

Severity

Warning

Serviceable

No

Automatically notify support

No

User Response

Complete the following steps:

1. Perform the actions mentioned one at a time and try the test after each action.
2. If the problem remains, contact your technical-service representative.
3. Turn off the system and disconnect it from power. Wait for 45 seconds. Reseat DIMM(s). Reconnect it to power.
4. Make sure that DSA and BIOS/uEFI are at the latest level.

Related links

- IBM Support website
- Latest level of DSA
- Latest level of BMC/IMM

- **201-871-002 : Standalone Memory Test Aborted**

Data Mis-compare encountered.

Recoverable

No

Severity

Warning

Serviceable

No

Automatically notify support

No

User Response

Complete the following steps:

1. Perform the actions mentioned one at a time and try the test after each action.
2. If the problem remains, contact your technical-service representative.
3. Turn off the system and disconnect it from power. Wait for 45 seconds. Reseat DIMM(s). Reconnect it to power.
4. Make sure that DSA and BIOS/uEFI are at the latest level.

Related links

- IBM Support website
- Latest level of DSA
- Latest level of BMC/IMM

- **201-871-003 : Standalone Memory Test Aborted**

Data Mis-compare encountered.

Recoverable

No

Severity

Warning

Serviceable

No

Automatically notify support

No

User Response

Complete the following steps:

1. Perform the actions mentioned one at a time and try the test after each action.
2. If the problem remains, contact your technical-service representative.
3. Turn off the system and disconnect it from power. Wait for 45 seconds. Reseat DIMM(s). Reconnect it to power.
4. Make sure that DSA and BIOS/uEFI are at the latest level.

Related links

- IBM Support website
- Latest level of DSA
- Latest level of BMC/IMM

• 201-877-000 : Standalone Memory Test Aborted

BIOS: Sparring in Extended PCI reg. must be OFF. Go to setup and disable sparring.

Recoverable

No

Severity

Warning

Serviceable

No

Automatically notify support

No

User Response

Complete the following steps:

1. Perform the actions mentioned one at a time and try the test after each action.
2. If the problem remains, contact your technical-service representative.
3. Turn off the system and disconnect it from power. Wait for 45 seconds. Reseat DIMM(s). Reconnect it to power.
4. Make sure that DSA and BIOS/uEFI are at the latest level.

Related links

- IBM Support website
- Latest level of DSA
- Latest level of BMC/IMM

- **201-877-001 : Standalone Memory Test Aborted**

BIOS: Sparing in Extended PCI reg. must be OFF. Go to setup and disable sparing.

Recoverable

No

Severity

Warning

Serviceable

No

Automatically notify support

No

User Response

Complete the following steps:

1. Perform the actions mentioned one at a time and try the test after each action.
2. If the problem remains, contact your technical-service representative.
3. Turn off the system and disconnect it from power. Wait for 45 seconds. Reseat DIMM(s). Reconnect it to power.
4. Make sure that DSA and BIOS/uEFI are at the latest level.

Related links

- IBM Support website
- Latest level of DSA
- Latest level of BMC/IMM

- **201-877-002 : Standalone Memory Test Aborted**

BIOS: Sparing in Extended PCI reg. must be OFF. Go to setup and disable sparing.

Recoverable

No

Severity

Warning

Serviceable

No

Automatically notify support

No

User Response

Complete the following steps:

1. Perform the actions mentioned one at a time and try the test after each action.
2. If the problem remains, contact your technical-service representative.
3. Turn off the system and disconnect it from power. Wait for 45 seconds. Reseat DIMM(s). Reconnect it to power.
4. Make sure that DSA and BIOS/uEFI are at the latest level.

Related links

- IBM Support website
- Latest level of DSA
- Latest level of BMC/IMM

- **201-877-003 : Standalone Memory Test Aborted**

BIOS: Sparing in Extended PCI reg. must be OFF. Go to setup and disable sparing.

Recoverable

No

Severity

Warning

Serviceable

No

Automatically notify support

No

User Response

Complete the following steps:

1. Perform the actions mentioned one at a time and try the test after each action.
2. If the problem remains, contact your technical-service representative.
3. Turn off the system and disconnect it from power. Wait for 45 seconds. Reseat DIMM(s). Reconnect it to power.
4. Make sure that DSA and BIOS/uEFI are at the latest level.

Related links

- IBM Support website
- Latest level of DSA
- Latest level of BMC/IMM

- **201-878-000 : Standalone Memory Test Aborted**

Sparing feature must be turned OFF. Go to setup and turn the sparing feature OFF.

Recoverable

No

Severity

Warning

Serviceable

No

Automatically notify support

No

User Response

Complete the following steps:

1. Perform the actions mentioned one at a time and try the test after each action.
2. If the problem remains, contact your technical-service representative.

3. Turn off the system and disconnect it from power. Wait for 45 seconds. Reseat DIMM(s). Reconnect it to power.
4. Make sure that DSA and BIOS/uEFI are at the latest level.

Related links

- IBM Support website
- Latest level of DSA
- Latest level of BMC/IMM

- **201-878-001 : Standalone Memory Test Aborted**

Sparing feature must be turned OFF. Go to setup and turn the sparing feature OFF.

Recoverable

No

Severity

Warning

Serviceable

No

Automatically notify support

No

User Response

Complete the following steps:

1. Perform the actions mentioned one at a time and try the test after each action.
2. If the problem remains, contact your technical-service representative.
3. Turn off the system and disconnect it from power. Wait for 45 seconds. Reseat DIMM(s). Reconnect it to power.
4. Make sure that DSA and BIOS/uEFI are at the latest level.

Related links

- IBM Support website
- Latest level of DSA
- Latest level of BMC/IMM

- **201-878-002 : Standalone Memory Test Aborted**

Sparing feature must be turned OFF. Go to setup and turn the sparing feature OFF.

Recoverable

No

Severity

Warning

Serviceable

No

Automatically notify support

No

User Response

Complete the following steps:

1. Perform the actions mentioned one at a time and try the test after each action.
2. If the problem remains, contact your technical-service representative.
3. Turn off the system and disconnect it from power. Wait for 45 seconds. Reseat DIMM(s). Reconnect it to power.
4. Make sure that DSA and BIOS/uEFI are at the latest level.

Related links

- IBM Support website
- Latest level of DSA
- Latest level of BMC/IMM

• 201-878-003 : Standalone Memory Test Aborted

Sparing feature must be turned OFF. Go to setup and turn the sparing feature OFF.

Recoverable

No

Severity

Warning

Serviceable

No

Automatically notify support

No

User Response

Complete the following steps:

1. Perform the actions mentioned one at a time and try the test after each action.
2. If the problem remains, contact your technical-service representative.
3. Turn off the system and disconnect it from power. Wait for 45 seconds. Reseat DIMM(s). Reconnect it to power.
4. Make sure that DSA and BIOS/uEFI are at the latest level.

Related links

- IBM Support website
- Latest level of DSA
- Latest level of BMC/IMM

• 201-885-000 : Standalone Memory Test Aborted

Processor does not support MTRR register manipulation. Can not write to memory without cache.

Recoverable

No

Severity

Warning

Serviceable

No

Automatically notify support

No

User Response

Complete the following steps:

1. Perform the actions mentioned one at a time and try the test after each action.
2. If the problem remains, contact your technical-service representative.
3. Turn off the system and disconnect it from power. Wait for 45 seconds. Reseat DIMM(s). Reconnect it to power.
4. Make sure that DSA and BIOS/uEFI are at the latest level.

Related links

- IBM Support website
- Latest level of DSA
- Latest level of BMC/IMM

- **201-885-001 : Standalone Memory Test Aborted**

Processor does not support MTRR register manipulation. Can not write to memory without cache.

Recoverable

No

Severity

Warning

Serviceable

No

Automatically notify support

No

User Response

Complete the following steps:

1. Perform the actions mentioned one at a time and try the test after each action.
2. If the problem remains, contact your technical-service representative.
3. Turn off the system and disconnect it from power. Wait for 45 seconds. Reseat DIMM(s). Reconnect it to power.
4. Make sure that DSA and BIOS/uEFI are at the latest level.

Related links

- IBM Support website
- Latest level of DSA
- Latest level of BMC/IMM

- **201-885-002 : Standalone Memory Test Aborted**

Processor does not support MTRR register manipulation. Can not write to memory without cache.

Recoverable

No

Severity

Warning

Serviceable

No

Automatically notify support

No

User Response

Complete the following steps:

1. Perform the actions mentioned one at a time and try the test after each action.
2. If the problem remains, contact your technical-service representative.
3. Turn off the system and disconnect it from power. Wait for 45 seconds. Reseat DIMM(s). Reconnect it to power.
4. Make sure that DSA and BIOS/uEFI are at the latest level.

Related links

- IBM Support website
- Latest level of DSA
- Latest level of BMC/IMM

• 201-885-003 : Standalone Memory Test Aborted

Processor does not support MTRR register manipulation. Can not write to memory without cache.

Recoverable

No

Severity

Warning

Serviceable

No

Automatically notify support

No

User Response

Complete the following steps:

1. Perform the actions mentioned one at a time and try the test after each action.
2. If the problem remains, contact your technical-service representative.
3. Turn off the system and disconnect it from power. Wait for 45 seconds. Reseat DIMM(s). Reconnect it to power.
4. Make sure that DSA and BIOS/uEFI are at the latest level.

Related links

- IBM Support website
- Latest level of DSA
- Latest level of BMC/IMM

- **201-886-000 : Standalone Memory Test Aborted**

Memory Upper limit is less than 16 Mbytes.

Recoverable

No

Severity

Warning

Serviceable

No

Automatically notify support

No

User Response

Complete the following steps:

1. Perform the actions mentioned one at a time and try the test after each action.
2. If the problem remains, contact your technical-service representative.
3. Turn off the system and disconnect it from power. Wait for 45 seconds. Reseat DIMM(s). Reconnect it to power.
4. Make sure that DSA and BIOS/uEFI are at the latest level.

Related links

- IBM Support website
- Latest level of DSA
- Latest level of BMC/IMM

- **201-886-001 : Standalone Memory Test Aborted**

Memory Upper limit is less than 16 Mbytes.

Recoverable

No

Severity

Warning

Serviceable

No

Automatically notify support

No

User Response

Complete the following steps:

1. Perform the actions mentioned one at a time and try the test after each action.
2. If the problem remains, contact your technical-service representative.
3. Turn off the system and disconnect it from power. Wait for 45 seconds. Reseat DIMM(s). Reconnect it to power.
4. Make sure that DSA and BIOS/uEFI are at the latest level.

Related links

- IBM Support website
- Latest level of DSA
- Latest level of BMC/IMM

- **201-886-002 : Standalone Memory Test Aborted**

Memory Upper limit is less than 16 Mbytes.

Recoverable

No

Severity

Warning

Serviceable

No

Automatically notify support

No

User Response

Complete the following steps:

1. Perform the actions mentioned one at a time and try the test after each action.
2. If the problem remains, contact your technical-service representative.
3. Turn off the system and disconnect it from power. Wait for 45 seconds. Reseat DIMM(s). Reconnect it to power.
4. Make sure that DSA and BIOS/uEFI are at the latest level.

Related links

- IBM Support website
- Latest level of DSA
- Latest level of BMC/IMM

- **201-886-003 : Standalone Memory Test Aborted**

Memory Upper limit is less than 16 Mbytes.

Recoverable

No

Severity

Warning

Serviceable

No

Automatically notify support

No

User Response

Complete the following steps:

1. Perform the actions mentioned one at a time and try the test after each action.
2. If the problem remains, contact your technical-service representative.

3. Turn off the system and disconnect it from power. Wait for 45 seconds. Reseat DIMM(s). Reconnect it to power.
4. Make sure that DSA and BIOS/uEFI are at the latest level.

Related links

- IBM Support website
- Latest level of DSA
- Latest level of BMC/IMM

- **201-899-000 : Standalone Memory Test Aborted**

Memory Diagnostics Test Aborted by user.

Recoverable

No

Severity

Warning

Serviceable

No

Automatically notify support

No

Related links

- IBM Support website
- Latest level of DSA
- Latest level of BMC/IMM

- **201-899-001 : Standalone Memory Test Aborted**

Memory Diagnostics Test Aborted by user.

Recoverable

No

Severity

Warning

Serviceable

No

Automatically notify support

No

Related links

- IBM Support website
- Latest level of DSA
- Latest level of BMC/IMM

- **201-899-002 : Standalone Memory Test Aborted**

Memory Diagnostics Test Aborted by user.

Recoverable

No

Severity

Warning

Serviceable

No

Automatically notify support

No

Related links

- IBM Support website
- Latest level of DSA
- Latest level of BMC/IMM

- **201-899-003 : Standalone Memory Test Aborted**

Memory Diagnostics Test Aborted by user.

Recoverable

No

Severity

Warning

Serviceable

No

Automatically notify support

No

Related links

- IBM Support website
- Latest level of DSA
- Latest level of BMC/IMM

- **201-901-000 : Standalone Memory Test Failed**

Memory Diagnostics Test Failed.

Recoverable

No

Severity

Error

Serviceable

Yes

Automatically notify support

No

User Response

Complete the following steps:

1. Perform the actions mentioned one at a time and try the test after each action.

2. If the problem remains, contact your technical-service representative.
3. Turn off the system and disconnect it from power. Wait for 45 seconds. Reseat DIMM(s). Reconnect it to power.
4. Make sure that DSA and BIOS/uEFI are at the latest level.
5. Replace any DIMMS(s) mentioned in error, one by one.
6. Make sure that all DIMMs are enabled in the Configuration/Setup Utility program.
7. If failure remains, refer to "Troubleshooting by symptom" in the system "Installation and Service Guide" for the next corrective action.

Related links

- IBM Support website
- Latest level of DSA
- Latest level of BMC/IMM

- **201-901-001 : Standalone Memory Test Failed**

Memory Diagnostics Test Failed.

Recoverable

No

Severity

Error

Serviceable

Yes

Automatically notify support

No

User Response

Complete the following steps:

1. Perform the actions mentioned one at a time and try the test after each action.
2. If the problem remains, contact your technical-service representative.
3. Turn off the system and disconnect it from power. Wait for 45 seconds. Reseat DIMM(s). Reconnect it to power.
4. Make sure that DSA and BIOS/uEFI are at the latest level.
5. Replace any DIMMS(s) mentioned in error, one by one.
6. Make sure that all DIMMs are enabled in the Configuration/Setup Utility program.
7. If failure remains, refer to "Troubleshooting by symptom" in the system "Installation and Service Guide" for the next corrective action.

Related links

- IBM Support website
- Latest level of DSA
- Latest level of BMC/IMM

- **201-901-002 : Standalone Memory Test Failed**

Memory Diagnostics Test Failed.

Recoverable

No

Severity

Error

Serviceable

Yes

Automatically notify support

No

User Response

Complete the following steps:

1. Perform the actions mentioned one at a time and try the test after each action.
2. If the problem remains, contact your technical-service representative.
3. Turn off the system and disconnect it from power. Wait for 45 seconds. Reseat DIMM(s). Reconnect it to power.
4. Make sure that DSA and BIOS/uEFI are at the latest level.
5. Replace any DIMMS(s) mentioned in error, one by one.
6. Make sure that all DIMMs are enabled in the Configuration/Setup Utility program.
7. If failure remains, refer to "Troubleshooting by symptom" in the system "Installation and Service Guide" for the next corrective action.

Related links

- IBM Support website
- Latest level of DSA
- Latest level of BMC/IMM

• 201-901-003 : Standalone Memory Test Failed

Memory Diagnostics Test Failed.

Recoverable

No

Severity

Error

Serviceable

Yes

Automatically notify support

No

User Response

Complete the following steps:

1. Perform the actions mentioned one at a time and try the test after each action.
2. If the problem remains, contact your technical-service representative.
3. Turn off the system and disconnect it from power. Wait for 45 seconds. Reseat DIMM(s). Reconnect it to power.
4. Make sure that DSA and BIOS/uEFI are at the latest level.
5. Replace any DIMMS(s) mentioned in error, one by one.

6. Make sure that all DIMMs are enabled in the Configuration/Setup Utility program.
7. If failure remains, refer to "Troubleshooting by symptom" in the system "Installation and Service Guide" for the next corrective action.

Related links

- IBM Support website
- Latest level of DSA
- Latest level of BMC/IMM

DSA optical drive test results

The following messages can result when you run the optical drive test.

Test results for the DSA optical drive test

The following messages can result when you run the DSA optical drive test.

- **215-000-000 : Optical Drive Test Passed**

Optical Drive Test Passed.

Recoverable

No

Severity

Event

Serviceable

No

Automatically notify support

No

Related links

- IBM Support website
- Latest level of DSA
- Latest level of BMC/IMM

- **215-801-000 : Optical Drive Test Aborted**

Optical Drive Test Aborted. Unable to communicate with driver.

Recoverable

No

Severity

Warning

Serviceable

Yes

Automatically notify support

No

User Response

Complete the following steps:

1. Make sure that the DSA Diagnostic code is at the latest level.
2. Run the test again.
3. Check the drive cabling for loose or broken connections at both ends or damage to the cable. Replace the cable if damage is present.
4. Run the test again.
5. Check system firmware level and upgrade if necessary. The installed firmware level can be found in the DSA Diagnostic Event Log within the Firmware/VPD section for this component.
6. Run the test again.

Related links

- IBM Support website
- Latest level of DSA
- Latest level of BMC/IMM

- **215-802-000 : Optical Drive Test Aborted**

Optical Drive Test Aborted. A read error was encountered.

Recoverable

No

Severity

Warning

Serviceable

Yes

Automatically notify support

No

User Response

Complete the following steps:

1. Insert a new CD or DVD into the drive and wait for 15 seconds for the media to be recognized. Rerun the test.
2. Check the drive cabling for loose or broken connections at both ends or damage to the cable. Replace the cable if damage is present.
3. Run the test again.
4. If failure remains, refer to "Troubleshooting by symptom" in the system "Installation and Service Guide" for the next corrective action.

Related links

- IBM Support website
- Latest level of DSA
- Latest level of BMC/IMM

- **215-803-000 : Optical Drive Test Failed**

Optical Drive Test Failed. Disk may be in use by the operating system.

Recoverable

No

Severity

Error

Serviceable

Yes

Automatically notify support

No

User Response

Complete the following steps:

1. Wait for the system activity to cease
2. Run the test again
3. Turn off and restart the system.
4. Run the test again.

Related links

- IBM Support website
- Latest level of DSA
- Latest level of BMC/IMM

- **215-804-000 : Optical Drive Test Aborted**

Optical Drive Test Aborted. The media tray is open.

Recoverable

No

Severity

Warning

Serviceable

Yes

Automatically notify support

No

User Response

Complete the following steps:

1. Close the media tray and wait for 15 seconds for the media to be recognized. Run the test again.
2. Insert a new CD or DVD into the drive and wait for 15 seconds for the media to be recognized. Rerun the test.
3. Check the drive cabling for loose or broken connections at both ends or damage to the cable. Replace the cable if damage is present.
4. Run the test again.
5. If failure remains, refer to "Troubleshooting by symptom" in the system "Installation and Service Guide" for the next corrective action.

Related links

- IBM Support website

- Latest level of DSA
- Latest level of BMC/IMM

- **215-901-000 : Optical Drive Test Aborted**

Optical Drive Test Aborted. Drive media is not detected.

Recoverable

No

Severity

Warning

Serviceable

Yes

Automatically notify support

No

User Response

Complete the following steps:

1. Insert a new CD or DVD into the drive and wait for 15 seconds for the media to be recognized. Rerun the test.
2. Check the drive cabling for loose or broken connections at both ends or damage to the cable. Replace the cable if damage is present.
3. Run the test again.
4. If failure remains, refer to "Troubleshooting by symptom" in the system "Installation and Service Guide" for the next corrective action.

Related links

- IBM Support website
- Latest level of DSA
- Latest level of BMC/IMM

- **215-902-000 : Optical Drive Test Failed**

Optical Drive Test Failed. Read miscompare.

Recoverable

No

Severity

Error

Serviceable

Yes

Automatically notify support

No

User Response

Complete the following steps:

1. Insert a new CD or DVD into the drive and wait for 15 seconds for the media to be recognized. Rerun the test.

2. Check the drive cabling for loose or broken connections at both ends or damage to the cable. Replace the cable if damage is present.
3. Run the test again.
4. If failure remains, refer to "Troubleshooting by symptom" in the system "Installation and Service Guide" for the next corrective action.

Related links

- IBM Support website
- Latest level of DSA
- Latest level of BMC/IMM

- **215-903-000 : Optical Drive Test Aborted**

Optical Drive Test Aborted. Could not access the device.

Recoverable

No

Severity

Warning

Serviceable

Yes

Automatically notify support

No

User Response

Complete the following steps:

1. Insert a new CD or DVD into the drive and wait for 15 seconds for the media to be recognized. Rerun the test.
2. Check the drive cabling for loose or broken connections at both ends or damage to the cable. Replace the cable if damage is present.
3. Run the test again.
4. Check system firmware level and upgrade if necessary. The installed firmware level can be found in the DSA Diagnostic Event Log within the Firmware/VPD section for this component.
5. Run the test again.
6. If failure remains, refer to "Troubleshooting by symptom" in the system "Installation and Service Guide" for the next corrective action.

Related links

- IBM Support website
- Latest level of DSA
- Latest level of BMC/IMM

DSA tape drive test results

The following messages can result when you run the tape drive test.

Test results for the DSA tape drive test

The following messages can result when you run the DSA tape drive test.

- **264-000-000 : Tape Test Passed**

Tape Test Passed.

Recoverable

No

Severity

Event

Serviceable

No

Automatically notify support

No

Related links

- IBM Support website
- Latest level of DSA
- Latest level of BMC/IMM

- **264-901-000 : Tape Test Failed**

An error was found in the tape alert log.

Recoverable

No

Severity

Error

Serviceable

Yes

Automatically notify support

No

User Response

Complete the following steps:

1. Clean the tape drive using the appropriate cleaning media and install new media.
2. Run the test again.
3. Clear the error log.
4. Run the test again.
5. Make sure that the drive firmware is at the latest level.
6. Rerun the test after upgrading to the latest firmware level.
7. If the failure remains, refer to "Troubleshooting by symptom" in the system "Installation and Service Guide" for the next corrective action.

Related links

- IBM Support website

- Latest level of DSA
- Latest level of BMC/IMM

- **264-902-000 : Tape Test Failed**

Tape Test Failed. Media is not detected.

Recoverable

No

Severity

Error

Serviceable

Yes

Automatically notify support

No

User Response

Complete the following steps:

1. Clean the tape drive using the appropriate cleaning media and install new media.
2. Run the test again.
3. Make sure that the drive firmware is at the latest level.
4. Rerun the test after upgrading to the latest firmware level.
5. If the failure remains, refer to "Troubleshooting by symptom" in the system "Installation and Service Guide" for the next corrective action.

Related links

- IBM Support website
- Latest level of DSA
- Latest level of BMC/IMM

- **264-903-000 : Tape Test Failed**

Tape Test Failed. Media is not detected.

Recoverable

No

Severity

Error

Serviceable

Yes

Automatically notify support

No

User Response

Complete the following steps:

1. Clean the tape drive using the appropriate cleaning media and install new media.
2. Run the test again.
3. Make sure that the drive firmware is at the latest level.

4. Rerun the test after upgrading to the latest firmware level.
5. If the failure remains, refer to "Troubleshooting by symptom" in the system "Installation and Service Guide" for the next corrective action.

Related links

- IBM Support website
- Latest level of DSA
- Latest level of BMC/IMM

- **264-904-000 : Tape Test Failed**

Tape Test Failed. Drive hardware error.

Recoverable

No

Severity

Error

Serviceable

Yes

Automatically notify support

No

User Response

Complete the following steps:

1. Check the tape drive cabling for loose or broken connections or damage to the cable. Replace the cable if damage is present.
2. Clean the tape drive using the appropriate cleaning media and install new media.
3. Run the test again.
4. Make sure that the drive firmware is at the latest level.
5. Rerun the test after upgrading to the latest firmware level.
6. If the failure remains, refer to "Troubleshooting by symptom" in the system "Installation and Service Guide" for the next corrective action.

Related links

- IBM Support website
- Latest level of DSA
- Latest level of BMC/IMM

- **264-905-000 : Tape Test Failed**

Tape Test Failed. Software error: invalid request.

Recoverable

No

Severity

Error

Serviceable

Yes

Automatically notify support

No

User Response

Complete the following steps:

1. If the system has stopped responding, turn off and restart the system.
2. Check the system firmware level and upgrade if necessary. The installed firmware level can be found in the DSA Diagnostic Event Log within the Firmware/VPD section for this component.
3. Run the test again.
4. If the system has stopped responding, turn off and restart the system.
5. Make sure that the drive firmware is at the latest level.
6. Run the test again.
7. If the failure remains, refer to "Troubleshooting by symptom" in the system "Installation and Service Guide" for the next corrective action.

Related links

- IBM Support website
- Latest level of DSA
- Latest level of BMC/IMM

• **264-906-000 : Tape Test Failed**

Tape Test Failed. Unrecognized error.

Recoverable

No

Severity

Error

Serviceable

Yes

Automatically notify support

No

User Response

Complete the following steps:

1. Clean the tape drive using the appropriate cleaning media and install new media.
2. Run the test again.
3. Make sure that the drive firmware is at the latest level.
4. Rerun the test after upgrading to the latest firmware level.
5. Make sure that the DSA Diagnostic code is at the latest level.
6. Run the test again.
7. Check the system firmware level and upgrade if necessary.
8. Run the test again.
9. If the failure remains, refer to "Troubleshooting by symptom" in the system "Installation and Service Guide" for the next corrective action.

Related links

- IBM Support website
- Latest level of DSA
- Latest level of BMC/IMM

- **264-907-000 : Tape Test Failed**

An error was found in the block address somewhere.

Recoverable

No

Severity

Error

Serviceable

Yes

Automatically notify support

No

User Response

Complete the following steps:

1. Clean the tape drive using the appropriate cleaning media and install new media.

Related links

- IBM Support website
- Latest level of DSA
- Latest level of BMC/IMM

- **264-908-000 : Tape Test Failed**

An error was found in getting tape capacity.

Recoverable

No

Severity

Error

Serviceable

Yes

Automatically notify support

No

User Response

Complete the following steps:

1. Make sure that medium is present.
2. Clean the tape drive using the appropriate cleaning media and install new media.

Related links

- IBM Support website
- Latest level of DSA

- Latest level of BMC/IMM

DSA hard drive test results

The following messages can result when you run the hard drive test.

Test results for the DSA hard drive test

The following messages can result when you run the DSA hard drive test.

- **217-000-000 : HDD Test Passed**

HDD Stress Test Passed.

Recoverable

No

Severity

Event

Serviceable

No

Automatically notify support

No

Related links

- IBM Support website
- Latest level of DSA
- Latest level of BMC/IMM

- **217-800-000 : HDD Test Aborted**

HDD Test Aborted. The test was canceled.

Recoverable

No

Severity

Warning

Serviceable

Yes

Automatically notify support

No

User Response

Complete the following steps:

1. Check cable connections.
2. Rerun the test.
3. Verify that Hard drive supports self test and self test logging.
4. If the problem remains, contact your technical-support representative.

Related links

- IBM Support website
- Latest level of DSA
- Latest level of BMC/IMM

- **217-900-000 : HDD Test Failed**

HDD Test Failed. The hard drive self-test detected a failure.

Recoverable

No

Severity

Error

Serviceable

Yes

Automatically notify support

No

User Response

Complete the following steps:

1. Check cable connections.
2. Rerun the test.
3. Verify the firmware is at the latest level.
4. Rerun the test.
5. If the problem remains, contact your technical-support representative.

Related links

- IBM Support website
- Latest level of DSA
- Latest level of BMC/IMM

DSA LSI hard drive test results

The following messages can result when you run the LSI hard drive test.

Test results for the DSA LSI hard driveoutputfilename=DSA_LSI_hard_drive test

The following messages can result when you run the DSA LSI hard driveoutputfilename=DSA_LSI_hard_drive test.

- **407-000-000 : LSIESG:DiskDefaultDiagnostic Test Passed**

The test passed.

Recoverable

No

Severity

Event

Serviceable

No

Automatically notify support

No

Related links

- IBM Support website
- Latest level of DSA
- Latest level of BMC/IMM

• **407-800-000 : LSIESG:DiskDefaultDiagnostic Test Aborted**

The test was canceled.

Recoverable

No

Severity

Warning

Serviceable

No

Automatically notify support

No

Related links

- IBM Support website
- Latest level of DSA
- Latest level of BMC/IMM

• **407-900-000 : LSIESG:DiskDefaultDiagnostic Test Failed**

The hard drive self-test detected a failure.

Recoverable

No

Severity

Error

Serviceable

Yes

Automatically notify support

No

User Response

Complete the following steps:

1. Check cable connections.
2. Rerun the test.
3. Verify whether the firmware is at the latest level.
4. Rerun the test.
5. If the problem remains, contact your IBM technical-support representative.

Related links

- IBM Support website
- Latest level of DSA
- Latest level of BMC/IMM

DSA Nvidia GPU test results

The following messages can result when you run the Nvidia GPU test.

Test results for the DSA Nvidia GPU test

The following messages can result when you run the DSA Nvidia GPU test.

- **409-000-000 : NVIDIA User Diagnostic Test Passed**

NVIDIA User Diagnostic test passed.

Recoverable

No

Severity

Event

Serviceable

No

Automatically notify support

No

Related links

- IBM Support website
- Latest level of DSA
- Latest level of BMC/IMM

- **409-003-000 : Nvidia::DiagnosticServiceProvider::Bandwidth Test Passed**

Nvidia GPU Bandwidth test passed.

Recoverable

No

Severity

Event

Serviceable

No

Automatically notify support

No

Related links

- IBM Support website
- Latest level of DSA
- Latest level of BMC/IMM

- **409-004-000 : Nvidia::DiagnosticServiceProvider::Query Test Passed**

Nvidia GPU Query test passed.

Recoverable

No

Severity

Event

Serviceable

No

Automatically notify support

No

Related links

- IBM Support website
- Latest level of DSA
- Latest level of BMC/IMM

- **409-005-000 : Nvidia::DiagnosticServiceProvider::Matrix Test Passed**

Nvidia GPU Matrix test passed.

Recoverable

No

Severity

Event

Serviceable

No

Automatically notify support

No

Related links

- IBM Support website
- Latest level of DSA
- Latest level of BMC/IMM

- **409-006-000 : Nvidia::DiagnosticServiceProvider::Binomial Test Passed**

Nvidia GPU Binomial test passed.

Recoverable

No

Severity

Event

Serviceable

No

Automatically notify support

No

Related links

- IBM Support website
- Latest level of DSA
- Latest level of BMC/IMM

- **409-800-000 : NVIDIA User Diagnostic Test Aborted**

NVIDIA User Diagnostic test was canceled.

Recoverable

No

Severity

Event

Serviceable

No

Automatically notify support

No

Related links

- IBM Support website
- Latest level of DSA
- Latest level of BMC/IMM

- **409-803-000 : Nvidia::DiagnosticServiceProvider::Bandwidth Test Aborted**

Nvidia GPU Bandwidth test was canceled.

Recoverable

No

Severity

Warning

Serviceable

No

Automatically notify support

No

Related links

- IBM Support website
- Latest level of DSA
- Latest level of BMC/IMM

- **409-804-000 : Nvidia::DiagnosticServiceProvider::Query Test Aborted**

Nvidia GPU Query test was canceled.

Recoverable

No

Severity

Warning

Serviceable

No

Automatically notify support

No

Related links

- IBM Support website
- Latest level of DSA
- Latest level of BMC/IMM

- **409-805-000 : Nvidia::DiagnosticServiceProvider::Matrix Test Aborted**

Nvidia GPU Matrix test was canceled.

Recoverable

No

Severity

Warning

Serviceable

No

Automatically notify support

No

Related links

- IBM Support website
- Latest level of DSA
- Latest level of BMC/IMM

- **409-806-000 : Nvidia::DiagnosticServiceProvider::Binomial Test Aborted**

Nvidia GPU Binomial test was canceled.

Recoverable

No

Severity

Warning

Serviceable

No

Automatically notify support

No

Related links

- IBM Support website
- Latest level of DSA
- Latest level of BMC/IMM

- **409-900-000 : NVIDIA User Diagnostic Test Failed**

NVIDIA User Diagnostic Test Failed.

Recoverable

No

Severity

Event

Serviceable

Yes

Automatically notify support

No

User Response

Complete the following steps:

1. Verify that the GPU is seated in the PCIe slot correctly by reseating the GPU. Then power cycle the system.
2. Verify that the power connectors to the GPU are connected firmly. Then power cycle the system.
3. Run nvidia-smi -q In some cases this will report a poorly connected power cable.
4. Rerun the diagnostics, using the same GPU, on system that is known to be working. A variety of system issues can cause diagnostic failure.
5. If the problem remains, contact your IBM technical-support representative.

Related links

- IBM Support website
- Latest level of DSA
- Latest level of BMC/IMM

- **409-903-000 : Nvidia::DiagnosticServiceProvider::Bandwidth Test Failed**

Nvidia GPU Bandwidth Test Failed.

Recoverable

No

Severity

Error

Serviceable

Yes

Automatically notify support

No

User Response

Complete the following steps:

1. Verify that the GPU is seated in the PCIe slot correctly by reseating the GPU. Then power cycle the system.
2. Verify that the power connectors to the GPU are connected firmly. Then power cycle the system.
3. Run nvidia-smi -q In some cases this will report a poorly connected power cable.

4. Rerun the diagnostics, using the same GPU, on system that is known to be working. A variety of system issues can cause diagnostic failure.
5. If the problem remains, contact your IBM technical-support representative.

Related links

- IBM Support website
- Latest level of DSA
- Latest level of BMC/IMM

- **409-904-000 : Nvidia::DiagnosticServiceProvider::Query Test Failed**

Nvidia GPU Query Test Failed.

Recoverable

No

Severity

Error

Serviceable

Yes

Automatically notify support

No

User Response

Complete the following steps:

1. Verify that the GPU is seated in the PCIe slot correctly by reseating the GPU. Then power cycle the system.
2. Verify that the power connectors to the GPU are connected firmly. Then power cycle the system.
3. Run `nvidia-smi -q` In some cases this will report a poorly connected power cable.
4. Rerun the diagnostics, using the same GPU, on system that is known to be working. A variety of system issues can cause diagnostic failure.
5. If the problem remains, contact your IBM technical-support representative.

Related links

- IBM Support website
- Latest level of DSA
- Latest level of BMC/IMM

- **409-905-000 : Nvidia::DiagnosticServiceProvider::Matrix Test Failed**

Nvidia GPU Matrix Test Failed.

Recoverable

No

Severity

Error

Serviceable

Yes

Automatically notify support

No

User Response

Complete the following steps:

1. Verify that the GPU is seated in the PCIe slot correctly by reseating the GPU. Then power cycle the system.
2. Verify that the power connectors to the GPU are connected firmly. Then power cycle the system.
3. Run `nvidia-smi -q` In some cases this will report a poorly connected power cable.
4. Rerun the diagnostics, using the same GPU, on system that is known to be working. A variety of system issues can cause diagnostic failure.
5. If the problem remains, contact your IBM technical-support representative.

Related links

- IBM Support website
- Latest level of DSA
- Latest level of BMC/IMM

• 409-906-000 : Nvidia::DiagnosticServiceProvider::Binomial Test Failed

Nvidia GPU Binomial Test Failed.

Recoverable

No

Severity

Error

Serviceable

Yes

Automatically notify support

No

User Response

Complete the following steps:

1. Verify that the GPU is seated in the PCIe slot correctly by reseating the GPU. Then power cycle the system.
2. Verify that the power connectors to the GPU are connected firmly. Then power cycle the system.
3. Run `nvidia-smi -q` In some cases this will report a poorly connected power cable.
4. Rerun the diagnostics, using the same GPU, on system that is known to be working. A variety of system issues can cause diagnostic failure.
5. If the problem remains, contact your IBM technical-support representative.

Related links

- IBM Support website
- Latest level of DSA
- Latest level of BMC/IMM

DSA system management test results

The following messages can result when you run the system management test.

Test results for the DSA system management test

The following messages can result when you run the DSA system management test.

- **166-000-001 : IMM I2C Test Passed**

IMM I2C Test Passed.

Recoverable

No

Severity

Event

Serviceable

No

Automatically notify support

No

Related links

- IBM Support website
- Latest level of DSA
- Latest level of BMC/IMM

- **166-801-001 : IMM I2C Test Aborted**

IMM returned incorrect response length.

Recoverable

No

Severity

Warning

Serviceable

Yes

Automatically notify support

No

User Response

Perform the actions mentioned one at a time and try the test after each action:

1. Turn off the system and disconnect it from power. Wait for 45 seconds. Reconnect it to power.
2. Make sure that DSA and BMC/IMM are at the latest level.

Related links

- IBM Support website
- Latest level of DSA
- Latest level of BMC/IMM

- **166-802-001 : IMM I2C Test Aborted**

Test cannot be completed for unknown reason.

Recoverable

No

Severity

Warning

Serviceable

Yes

Automatically notify support

No

User Response

Perform the actions mentioned one at a time and try the test after each action:

1. Turn off the system and disconnect it from power. Wait for 45 seconds. Reconnect it to power.
2. Make sure that DSA and BMC/IMM are at the latest level.

Related links

- IBM Support website
- Latest level of DSA
- Latest level of BMC/IMM

• **166-803-001 : IMM I2C Test Aborted**

Node Busy. Try later.

Recoverable

No

Severity

Warning

Serviceable

Yes

Automatically notify support

No

User Response

Perform the actions mentioned one at a time and try the test after each action:

1. Turn off the system and disconnect it from power. Wait for 45 seconds. Reconnect it to power.
2. Make sure that DSA and BMC/IMM are at the latest level.

Related links

- IBM Support website
- Latest level of DSA
- Latest level of BMC/IMM

• **166-804-001 : IMM I2C Test Aborted**

Invalid Command.

Recoverable

No

Severity

Warning

Serviceable

Yes

Automatically notify support

No

User Response

Perform the actions mentioned one at a time and try the test after each action:

1. Turn off the system and disconnect it from power. Wait for 45 seconds. Reconnect it to power.
2. Make sure that DSA and BMC/IMM are at the latest level.

Related links

- IBM Support website
- Latest level of DSA
- Latest level of BMC/IMM

- **166-805-001 : IMM I2C Test Aborted**

Invalid Command for given LUN.

Recoverable

No

Severity

Warning

Serviceable

Yes

Automatically notify support

No

User Response

Perform the actions mentioned one at a time and try the test after each action:

1. Turn off the system and disconnect it from power. Wait for 45 seconds. Reconnect it to power.
2. Make sure that DSA and BMC/IMM are at the latest level.

Related links

- IBM Support website
- Latest level of DSA
- Latest level of BMC/IMM

- **166-806-001 : IMM I2C Test Aborted**

Timeout while processing command.

Recoverable

No

Severity

Warning

Serviceable

Yes

Automatically notify support

No

User Response

Perform the actions mentioned one at a time and try the test after each action:

1. Turn off the system and disconnect it from power. Wait for 45 seconds. Reconnect it to power.
2. Make sure that DSA and BMC/IMM are at the latest level.

Related links

- IBM Support website
- Latest level of DSA
- Latest level of BMC/IMM

- **166-807-001 : IMM I2C Test Aborted**

Out of space.

Recoverable

No

Severity

Warning

Serviceable

Yes

Automatically notify support

No

User Response

Perform the actions mentioned one at a time and try the test after each action:

1. Turn off the system and disconnect it from power. Wait for 45 seconds. Reconnect it to power.
2. Make sure that DSA and BMC/IMM are at the latest level.

Related links

- IBM Support website
- Latest level of DSA
- Latest level of BMC/IMM

- **166-808-001 : IMM I2C Test Aborted**

Reservation Canceled or Invalid Reservation ID.

Recoverable

No

Severity

Warning

Serviceable

Yes

Automatically notify support

No

User Response

Perform the actions mentioned one at a time and try the test after each action:

1. Turn off the system and disconnect it from power. Wait for 45 seconds. Reconnect it to power.
2. Make sure that DSA and BMC/IMM are at the latest level.

Related links

- IBM Support website
- Latest level of DSA
- Latest level of BMC/IMM

- **166-809-001 : IMM I2C Test Aborted**

Request data truncated.

Recoverable

No

Severity

Warning

Serviceable

Yes

Automatically notify support

No

User Response

Perform the actions mentioned one at a time and try the test after each action:

1. Turn off the system and disconnect it from power. Wait for 45 seconds. Reconnect it to power.
2. Make sure that DSA and BMC/IMM are at the latest level.

Related links

- IBM Support website
- Latest level of DSA
- Latest level of BMC/IMM

- **166-810-001 : IMM I2C Test Aborted**

Request data length invalid.

Recoverable

No

Severity

Warning

Serviceable

Yes

Automatically notify support

No

User Response

Perform the actions mentioned one at a time and try the test after each action:

1. Turn off the system and disconnect it from power. Wait for 45 seconds. Reconnect it to power.
2. Make sure that DSA and BMC/IMM are at the latest level.

Related links

- IBM Support website
- Latest level of DSA
- Latest level of BMC/IMM

- **166-811-001 : IMM I2C Test Aborted**

Request data field length limit exceeded.

Recoverable

No

Severity

Warning

Serviceable

Yes

Automatically notify support

No

User Response

Perform the actions mentioned one at a time and try the test after each action:

1. Turn off the system and disconnect it from power. Wait for 45 seconds. Reconnect it to power.
2. Make sure that DSA and BMC/IMM are at the latest level.

Related links

- IBM Support website
- Latest level of DSA
- Latest level of BMC/IMM

- **166-812-001 : IMM I2C Test Aborted**

Parameter out of range.

Recoverable

No

Severity

Warning

Serviceable

Yes

Automatically notify support

No

User Response

Perform the actions mentioned one at a time and try the test after each action:

1. Turn off the system and disconnect it from power. Wait for 45 seconds. Reconnect it to power.
2. Make sure that DSA and BMC/IMM are at the latest level.

Related links

- IBM Support website
- Latest level of DSA
- Latest level of BMC/IMM

- **166-813-001 : IMM I2C Test Aborted**

Cannot return number of requested data bytes.

Recoverable

No

Severity

Warning

Serviceable

Yes

Automatically notify support

No

User Response

Perform the actions mentioned one at a time and try the test after each action:

1. Turn off the system and disconnect it from power. Wait for 45 seconds. Reconnect it to power.
2. Make sure that DSA and BMC/IMM are at the latest level.

Related links

- IBM Support website
- Latest level of DSA
- Latest level of BMC/IMM

- **166-814-001 : IMM I2C Test Aborted**

Requested Sensor, data, or record not present.

Recoverable

No

Severity

Warning

Serviceable

Yes

Automatically notify support

No

User Response

Perform the actions mentioned one at a time and try the test after each action:

1. Turn off the system and disconnect it from power. Wait for 45 seconds. Reconnect it to power.
2. Make sure that DSA and BMC/IMM are at the latest level.

Related links

- IBM Support website
- Latest level of DSA
- Latest level of BMC/IMM

• 166-815-001 : IMM I2C Test Aborted

Invalid data field in Request.

Recoverable

No

Severity

Warning

Serviceable

Yes

Automatically notify support

No

User Response

Perform the actions mentioned one at a time and try the test after each action:

1. Turn off the system and disconnect it from power. Wait for 45 seconds. Reconnect it to power.
2. Make sure that DSA and BMC/IMM are at the latest level.

Related links

- IBM Support website
- Latest level of DSA
- Latest level of BMC/IMM

• 166-816-001 : IMM I2C Test Aborted

Command illegal for specified sensor or record type.

Recoverable

No

Severity

Warning

Serviceable

Yes

Automatically notify support

No

User Response

Perform the actions mentioned one at a time and try the test after each action:

1. Turn off the system and disconnect it from power. Wait for 45 seconds. Reconnect it to power.
2. Make sure that DSA and BMC/IMM are at the latest level.

Related links

- IBM Support website
- Latest level of DSA
- Latest level of BMC/IMM

- **166-817-001 : IMM I2C Test Aborted**

Command response could not be provided.

Recoverable

No

Severity

Warning

Serviceable

Yes

Automatically notify support

No

User Response

Perform the actions mentioned one at a time and try the test after each action:

1. Turn off the system and disconnect it from power. Wait for 45 seconds. Reconnect it to power.
2. Make sure that DSA and BMC/IMM are at the latest level.

Related links

- IBM Support website
- Latest level of DSA
- Latest level of BMC/IMM

- **166-818-001 : IMM I2C Test Aborted**

Cannot execute duplicated request.

Recoverable

No

Severity

Warning

Serviceable

Yes

Automatically notify support

No

User Response

Perform the actions mentioned one at a time and try the test after each action:

1. Turn off the system and disconnect it from power. Wait for 45 seconds. Reconnect it to power.
2. Make sure that DSA and BMC/IMM are at the latest level.

Related links

- IBM Support website
- Latest level of DSA
- Latest level of BMC/IMM

- **166-819-001 : IMM I2C Test Aborted**

Command response could not be provided. SDR Repository in?update mode.

Recoverable

No

Severity

Warning

Serviceable

Yes

Automatically notify support

No

User Response

Perform the actions mentioned one at a time and try the test after each action:

1. Turn off the system and disconnect it from power. Wait for 45 seconds. Reconnect it to power.
2. Make sure that DSA and BMC/IMM are at the latest level.

Related links

- IBM Support website
- Latest level of DSA
- Latest level of BMC/IMM

- **166-820-001 : IMM I2C Test Aborted**

Command response could not be provided. Device in firmware update mode.

Recoverable

No

Severity

Warning

Serviceable

Yes

Automatically notify support

No

User Response

Perform the actions mentioned one at a time and try the test after each action:

1. Turn off the system and disconnect it from power. Wait for 45 seconds. Reconnect it to power.
2. Make sure that DSA and BMC/IMM are at the latest level.

Related links

- IBM Support website
- Latest level of DSA

- Latest level of BMC/IMM

- **166-821-001 : IMM I2C Test Aborted**

Command response could not be provided. BMC initialization in progress.

Recoverable

No

Severity

Warning

Serviceable

Yes

Automatically notify support

No

User Response

Perform the actions mentioned one at a time and try the test after each action:

1. Turn off the system and disconnect it from power. Wait for 45 seconds. Reconnect it to power.
2. Make sure that DSA and BMC/IMM are at the latest level.

Related links

- IBM Support website
- Latest level of DSA
- Latest level of BMC/IMM

- **166-822-001 : IMM I2C Test Aborted**

Destination unavailable.

Recoverable

No

Severity

Warning

Serviceable

Yes

Automatically notify support

No

User Response

Perform the actions mentioned one at a time and try the test after each action:

1. Turn off the system and disconnect it from power. Wait for 45 seconds. Reconnect it to power.
2. Make sure that DSA and BMC/IMM are at the latest level.

Related links

- IBM Support website
- Latest level of DSA
- Latest level of BMC/IMM

- **166-823-001 : IMM I2C Test Aborted**

Cannot execute command. Insufficient privilege level.

Recoverable

No

Severity

Warning

Serviceable

Yes

Automatically notify support

No

User Response

Perform the actions mentioned one at a time and try the test after each action:

1. Turn off the system and disconnect it from power. Wait for 45 seconds. Reconnect it to power.
2. Make sure that DSA and BMC/IMM are at the latest level.

Related links

- IBM Support website
- Latest level of DSA
- Latest level of BMC/IMM

- **166-824-001 : IMM I2C Test Aborted**

Cannot execute command.

Recoverable

No

Severity

Warning

Serviceable

Yes

Automatically notify support

No

User Response

Perform the actions mentioned one at a time and try the test after each action:

1. Turn off the system and disconnect it from power. Wait for 45 seconds. Reconnect it to power.
2. Make sure that DSA and BMC/IMM are at the latest level.

Related links

- IBM Support website
- Latest level of DSA
- Latest level of BMC/IMM

- **166-901-001 : IMM I2C Test Failed**

IMM Indicates failure in RTMM bus (BUS 0).

Recoverable

No

Severity

Error

Serviceable

Yes

Automatically notify support

No

User Response

Perform the actions mentioned one at a time and try the test after each action:

1. Turn off the system and disconnect it from power. Wait for 45 seconds. Reconnect it to power.
2. Make sure that DSA and BMC/IMM are at the latest level.
3. Run the test again.
4. If failure remains, refer to "Troubleshooting by symptom" in the system "Installation and Service Guide" for the next corrective action.

Related links

- IBM Support website
- Latest level of DSA
- Latest level of BMC/IMM

• **166-902-001 : IMM I2C Test Failed**

IMM Indicates failure in TPM bus (BUS 1).

Recoverable

No

Severity

Error

Serviceable

Yes

Automatically notify support

No

User Response

Perform the actions mentioned one at a time and try the test after each action:

1. Turn off the system and disconnect it from power. Wait for 45 seconds. Reconnect it to power.
2. Make sure that DSA and BMC/IMM are at the latest level.
3. Run the test again.
4. If failure remains, refer to "Troubleshooting by symptom" in the system "Installation and Service Guide" for the next corrective action.

Related links

- IBM Support website
- Latest level of DSA

- Latest level of BMC/IMM

- **166-903-001 : IMM I2C Test Failed**

IMM Indicates failure in SD bus (BUS 2).

Recoverable

No

Severity

Error

Serviceable

Yes

Automatically notify support

No

User Response

Perform the actions mentioned one at a time and try the test after each action:

1. Turn off the system and disconnect it from power. Wait for 45 seconds. Reconnect it to power.
2. Make sure that DSA and BMC/IMM are at the latest level.
3. Run the test again.
4. If failure remains, refer to "Troubleshooting by symptom" in the system "Installation and Service Guide" for the next corrective action.

Related links

- IBM Support website
- Latest level of DSA
- Latest level of BMC/IMM

- **166-905-001 : IMM I2C Test Failed**

IMM Indicates failure in SAS Backplane bus (BUS 4).

Recoverable

No

Severity

Error

Serviceable

Yes

Automatically notify support

No

User Response

Perform the actions mentioned one at a time and try the test after each action:

1. Turn off the system and disconnect it from power. Wait for 45 seconds. Reconnect it to power.
2. Make sure that DSA and BMC/IMM are at the latest level.
3. Run the test again.
4. If failure remains, refer to "Troubleshooting by symptom" in the system "Installation and Service Guide" for the next corrective action.

Related links

- IBM Support website
- Latest level of DSA
- Latest level of BMC/IMM

- **166-906-001 : IMM I2C Test Failed**

IMM Indicates failure in Wellsburg bus (BUS 5).

Recoverable

No

Severity

Error

Serviceable

Yes

Automatically notify support

No

User Response

Perform the actions mentioned one at a time and try the test after each action:

1. Turn off the system and disconnect it from power. Wait for 45 seconds. Reconnect it to power.
2. Make sure that DSA and BMC/IMM are at the latest level.
3. Run the test again.
4. If failure remains, refer to "Troubleshooting by symptom" in the system "Installation and Service Guide" for the next corrective action.

Related links

- IBM Support website
- Latest level of DSA
- Latest level of BMC/IMM

- **166-907-001 : IMM I2C Test Failed**

IMM Indicates failure in I2C mux bus (BUS 6).

Recoverable

No

Severity

Error

Serviceable

Yes

Automatically notify support

No

User Response

Perform the actions mentioned one at a time and try the test after each action:

1. Turn off the system and disconnect it from power. Wait for 45 seconds. Reconnect it to power.
2. Make sure that DSA and BMC/IMM are at the latest level.

3. Run the test again.
4. If failure remains, refer to "Troubleshooting by symptom" in the system "Installation and Service Guide" for the next corrective action.

Related links

- IBM Support website
- Latest level of DSA
- Latest level of BMC/IMM

DSA checkpoint panel test results

The following messages can result when you run the checkpoint panel test.

Test results for the DSA checkpoint panel test

The following messages can result when you run the DSA checkpoint panel test.

- **180-000-000 : Check-point Panel Test Passed**

Check-point Panel Test Passed.

Recoverable

No

Severity

Event

Serviceable

No

Automatically notify support

No

Related links

- IBM Support website
- Latest level of DSA
- Latest level of BMC/IMM

- **180-801-000 : Check-point Panel Test Aborted**

Check-point Panel Test Aborted. BMC is unable to verify that the operator information panel cable is connected.

Recoverable

No

Severity

Warning

Serviceable

Yes

Automatically notify support

No

User Response

Complete the following steps:

1. Inspect and reseat operator information panel cable at both ends.
2. Verify that the Baseboard Management Controller (BMC) is working.
3. Run the test again.
4. If failure remains, refer to "Troubleshooting by symptom" in the system "Installation and Service Guide" for the next corrective action.

Related links

- IBM Support website
- Latest level of DSA
- Latest level of BMC/IMM

• 180-901-000 : Check-point Panel Test Failed

Check-point Panel Test Failed. Operator reported incorrect display.

Recoverable

No

Severity

Error

Serviceable

Yes

Automatically notify support

No

User Response

Complete the following steps:

1. Check the operator information panel cabling for loose or broken connections at both ends or damage to the cable.
2. Replace the information panel cable if damage is present.
3. Run the test again.
4. Replace the operator information panel assembly.
5. Run the test again.
6. If failure remains, refer to "Troubleshooting by symptom" in the system "Installation and Service Guide" for the next corrective action.

Related links

- IBM Support website
- Latest level of DSA
- Latest level of BMC/IMM

DSA Broadcom network test results

The following messages can result when you run the Broadcom network test.

Test results for the DSA Broadcom network test

The following messages can result when you run the DSA Broadcom network test.

- **405-000-000 : BRCM:TestControlRegisters Test Passed**

The test passed.

Recoverable

No

Severity

Event

Serviceable

No

Automatically notify support

No

Related links

- IBM Support website
- Latest level of DSA
- Latest level of BMC/IMM

- **405-001-000 : BRCM:TestMIIRegisters Test Passed**

The test passed.

Recoverable

No

Severity

Event

Serviceable

No

Automatically notify support

No

Related links

- IBM Support website
- Latest level of DSA
- Latest level of BMC/IMM

- **405-002-000 : BRCM:TestEEPROM Test Passed**

The test passed.

Recoverable

No

Severity

Event

Serviceable

No

Automatically notify support

No

Related links

- IBM Support website
- Latest level of DSA
- Latest level of BMC/IMM

• **405-003-000 : BRCM:TestInternalMemory Test Passed**

The test passed.

Recoverable

No

Severity

Event

Serviceable

No

Automatically notify support

No

Related links

- IBM Support website
- Latest level of DSA
- Latest level of BMC/IMM

• **405-004-000 : BRCM:TestInterrupt Test Passed**

The test passed.

Recoverable

No

Severity

Event

Serviceable

No

Automatically notify support

No

Related links

- IBM Support website
- Latest level of DSA
- Latest level of BMC/IMM

• **405-005-000 : BRCM:TestLoopbackMAC Test Passed**

The test passed.

Recoverable

No

Severity

Event

Serviceable

No

Automatically notify support

No

Related links

- IBM Support website
- Latest level of DSA
- Latest level of BMC/IMM

- **405-006-000 : BRCM:TestLoopbackPhysical Test Passed**

The test passed.

Recoverable

No

Severity

Event

Serviceable

No

Automatically notify support

No

Related links

- IBM Support website
- Latest level of DSA
- Latest level of BMC/IMM

- **405-007-000 : BRCM:TestLEDs Test Passed**

The test passed.

Recoverable

No

Severity

Event

Serviceable

No

Automatically notify support

No

Related links

- IBM Support website
- Latest level of DSA

- Latest level of BMC/IMM

- **405-800-000 : BRCM:TestControlRegisters Test Aborted**

The control registers test was canceled.

Recoverable

No

Severity

Warning

Serviceable

No

Automatically notify support

No

Related links

- IBM Support website
- Latest level of DSA
- Latest level of BMC/IMM

- **405-801-000 : BRCM:TestMIIRegisters Test Aborted**

The MII register test was canceled.

Recoverable

No

Severity

Warning

Serviceable

No

Automatically notify support

No

Related links

- IBM Support website
- Latest level of DSA
- Latest level of BMC/IMM

- **405-802-000 : BRCM:TestEEPROM Test Aborted**

The EEPROM test was canceled.

Recoverable

No

Severity

Warning

Serviceable

No

Automatically notify support

No

Related links

- IBM Support website
- Latest level of DSA
- Latest level of BMC/IMM

- **405-803-000 : BRCM:TestInternalMemory Test Aborted**

The internal memory test was canceled.

Recoverable

No

Severity

Warning

Serviceable

No

Automatically notify support

No

Related links

- IBM Support website
- Latest level of DSA
- Latest level of BMC/IMM

- **405-804-000 : BRCM:TestInterrupt Test Aborted**

The interrupt test was canceled.

Recoverable

No

Severity

Warning

Serviceable

No

Automatically notify support

No

Related links

- IBM Support website
- Latest level of DSA
- Latest level of BMC/IMM

- **405-805-000 : BRCM:TestLoopbackMAC Test Aborted**

Loopback testing at the MAC layer was canceled.

Recoverable

No

Severity

Warning

Serviceable

No

Automatically notify support

No

Related links

- IBM Support website
- Latest level of DSA
- Latest level of BMC/IMM

- **405-806-000 : BRCM:TestLoopbackPhysical Test Aborted**

Loopback testing at the physical layer was canceled.

Recoverable

No

Severity

Warning

Serviceable

No

Automatically notify support

No

Related links

- IBM Support website
- Latest level of DSA
- Latest level of BMC/IMM

- **405-807-000 : BRCM:TestLEDs Test Aborted**

Verification of status LEDs was canceled.

Recoverable

No

Severity

Warning

Serviceable

No

Automatically notify support

No

Related links

- IBM Support website
- Latest level of DSA

- Latest level of BMC/IMM

- **405-900-000 : BRCM:TestControlRegisters Test Failed**

A failure was detected while testing internal MAC registers

Recoverable

No

Severity

Error

Serviceable

Yes

Automatically notify support

No

User Response

Complete the following steps:

1. Check component firmware level and upgrade if necessary. The installed firmware level can be found in the DSA Diagnostic Event Log within the Firmware/VPD section for this component.
2. Rerun the test.
3. If failure remains, refer to "Troubleshooting by symptom" in the system "Installation and Service Guide" for the next corrective action.

Related links

- IBM Support website
- Latest level of DSA
- Latest level of BMC/IMM

- **405-901-000 : BRCM:TestMIIRegisters Test Failed**

A failure was detected while testing internal PHY registers.

Recoverable

No

Severity

Error

Serviceable

Yes

Automatically notify support

No

User Response

Complete the following steps:

1. Check component firmware level and upgrade if necessary. The installed firmware level can be found in the DSA Diagnostic Event Log within the Firmware/VPD section for this component.
2. Rerun the test.
3. If failure remains, refer to "Troubleshooting by symptom" in the system "Installation and Service Guide" for the next corrective action.

Related links

- IBM Support website
- Latest level of DSA
- Latest level of BMC/IMM

- **405-902-000 : BRCM:TestEEPROM Test Failed**

A failure was detected while testing non-volatile RAM.

Recoverable

No

Severity

Error

Serviceable

Yes

Automatically notify support

No

User Response

Complete the following steps:

1. Check component firmware level and upgrade if necessary. The installed firmware level can be found in the DSA Diagnostic Event Log within the Firmware/VPD section for this component.
2. Rerun the test.
3. If failure remains, refer to "Troubleshooting by symptom" in the system "Installation and Service Guide" for the next corrective action.

Related links

- IBM Support website
- Latest level of DSA
- Latest level of BMC/IMM

- **405-903-000 : BRCM:TestInternalMemory Test Failed**

A failure was detected while testing internal memory.

Recoverable

No

Severity

Error

Serviceable

Yes

Automatically notify support

No

User Response

Complete the following steps:

1. Check component firmware level and upgrade if necessary. The installed firmware level can be found in the DSA Diagnostic Event Log within the Firmware/VPD section for this component.

2. Rerun the test.
3. If failure remains, refer to "Troubleshooting by symptom" in the system "Installation and Service Guide" for the next corrective action.

Related links

- IBM Support website
- Latest level of DSA
- Latest level of BMC/IMM

- **405-904-000 : BRCM:TestInterrupt Test Failed**

A failure was detected while testing interrupts.

Recoverable

No

Severity

Error

Serviceable

Yes

Automatically notify support

No

User Response

Complete the following steps:

1. Check component firmware level and upgrade if necessary. The installed firmware level can be found in the DSA Diagnostic Event Log within the Firmware/VPD section for this component.
2. Rerun the test.
3. If failure remains, refer to "Troubleshooting by symptom" in the system "Installation and Service Guide" for the next corrective action.

Related links

- IBM Support website
- Latest level of DSA
- Latest level of BMC/IMM

- **405-905-000 : BRCM:TestLoopbackMAC Test Failed**

BRCM:TestLoopbackMAC Test Failed.

Recoverable

No

Severity

Error

Serviceable

Yes

Automatically notify support

No

User Response

Complete the following steps:

1. Check component firmware level and upgrade if necessary. The installed firmware level can be found in the DSA Diagnostic Event Log within the Firmware/VPD section for this component.
2. Rerun the test.
3. If failure remains, refer to "Troubleshooting by symptom" in the system "Installation and Service Guide" for the next corrective action.

Related links

- IBM Support website
- Latest level of DSA
- Latest level of BMC/IMM

- **405-906-000 : BRCM:TestLoopbackPhysical Test Failed**

A failure was detected during the loopback test at the physical layer.

Recoverable

No

Severity

Error

Serviceable

Yes

Automatically notify support

No

User Response

Complete the following steps:

1. Check component firmware level and upgrade if necessary. The installed firmware level can be found in the DSA Diagnostic Event Log within the Firmware/VPD section for this component.
2. Rerun the test.
3. If failure remains, refer to "Troubleshooting by symptom" in the system "Installation and Service Guide" for the next corrective action.

Related links

- IBM Support website
- Latest level of DSA
- Latest level of BMC/IMM

- **405-907-000 : BRCM:TestLEDs Test Failed**

A failure was detected while verifying operation of the status LEDs.

Recoverable

No

Severity

Error

Serviceable

Yes

Automatically notify support

No

User Response

Complete the following steps:

1. Check component firmware level and upgrade if necessary. The installed firmware level can be found in the DSA Diagnostic Event Log within the Firmware/VPD section for this component.
2. Rerun the test.
3. If failure remains, refer to "Troubleshooting by symptom" in the system "Installation and Service Guide" for the next corrective action.

Related links

- IBM Support website
- Latest level of DSA
- Latest level of BMC/IMM

DSA Brocade test results

The following messages can result when you run the Brocade test.

Test results for the DSA Brocade test

The following messages can result when you run the DSA Brocade test.

• **218-000-000 : Brocade:MemoryTest Passed**

The test passed.

Recoverable

No

Severity

Event

Serviceable

No

Automatically notify support

No

Related links

- IBM Support website
- Latest level of DSA
- Latest level of BMC/IMM

• **218-001-000 : Brocade:ExternalLoopbackTest Passed**

The test passed.

Recoverable

No

Severity

Event

Serviceable

No

Automatically notify support

No

Related links

- IBM Support website
- Latest level of DSA
- Latest level of BMC/IMM

- **218-002-000 : Brocade:SerdesLoopbackTest Passed**

The test passed.

Recoverable

No

Severity

Event

Serviceable

No

Automatically notify support

No

Related links

- IBM Support website
- Latest level of DSA
- Latest level of BMC/IMM

- **218-003-000 : Brocade:PCILoopbackTest Passed**

The test passed.

Recoverable

No

Severity

Event

Serviceable

No

Automatically notify support

No

Related links

- IBM Support website
- Latest level of DSA
- Latest level of BMC/IMM

- **218-004-000 : Brocade:ExternalEthLoopbackTest Passed**

The test passed.

Recoverable

No

Severity

Event

Serviceable

No

Automatically notify support

No

Related links

- IBM Support website
- Latest level of DSA
- Latest level of BMC/IMM

- **218-005-000 : Brocade:SerdesEthLoopbackTest Passed**

The test passed.

Recoverable

No

Severity

Event

Serviceable

No

Automatically notify support

No

Related links

- IBM Support website
- Latest level of DSA
- Latest level of BMC/IMM

- **218-006-000 : Brocade:InternalLoopbackTest Passed**

The test passed.

Recoverable

No

Severity

Event

Serviceable

No

Automatically notify support

No

Related links

- IBM Support website
- Latest level of DSA
- Latest level of BMC/IMM

- **218-800-000 : Brocade:MemoryTest Aborted**

The test was canceled.

Recoverable

No

Severity

Warning

Serviceable

No

Automatically notify support

No

Related links

- IBM Support website
- Latest level of DSA
- Latest level of BMC/IMM

- **218-801-000 : Brocade:ExternalLoopbackTest Aborted**

The test was canceled.

Recoverable

No

Severity

Warning

Serviceable

No

Automatically notify support

No

Related links

- IBM Support website
- Latest level of DSA
- Latest level of BMC/IMM

- **218-802-000 : Brocade:SerdesLoopbackTest Aborted**

The test was canceled.

Recoverable

No

Severity

Warning

Serviceable

No

Automatically notify support

No

Related links

- IBM Support website
- Latest level of DSA
- Latest level of BMC/IMM

- **218-803-000 : Brocade:PCILoopbackTest Aborted**

The test was canceled.

Recoverable

No

Severity

Warning

Serviceable

No

Automatically notify support

No

Related links

- IBM Support website
- Latest level of DSA
- Latest level of BMC/IMM

- **218-804-000 : Brocade:ExternalEthLoopbackTest Aborted**

The test was canceled.

Recoverable

No

Severity

Warning

Serviceable

No

Automatically notify support

No

Related links

- IBM Support website
- Latest level of DSA
- Latest level of BMC/IMM

- **218-805-000 : Brocade:SerdesEthLoopbackTest Aborted**

The test was canceled.

Recoverable

No

Severity

Warning

Serviceable

No

Automatically notify support

No

Related links

- IBM Support website
- Latest level of DSA
- Latest level of BMC/IMM

- **218-806-000 : Brocade:InternalLoopbackTest Aborted**

The test was canceled.

Recoverable

No

Severity

Warning

Serviceable

No

Automatically notify support

No

Related links

- IBM Support website
- Latest level of DSA
- Latest level of BMC/IMM

- **218-900-000 : Brocade:MemoryTest Failed**

A failure was detected while testing the adapter memory.

Recoverable

No

Severity

Error

Serviceable

Yes

Automatically notify support

No

User Response

Complete the following steps:

1. Rerun the test.
2. Verify whether the firmware is at proper level.
3. Rerun the test.
4. If the problem remains, contact your IBM technical-support representative.

Related links

- IBM Support website
- Latest level of DSA
- Latest level of BMC/IMM

• 218-901-000 : Brocade:ExternalLoopbackTest Failed

A failure was detected during the Loopback test.

Recoverable

No

Severity

Error

Serviceable

Yes

Automatically notify support

No

User Response

Complete the following steps:

1. Check cable connections.
2. Rerun the test.
3. Verify whether the firmware is at proper level.
4. Rerun the test.
5. If the problem remains, contact your IBM technical-support representative.

Related links

- IBM Support website
- Latest level of DSA
- Latest level of BMC/IMM

• 218-902-000 : Brocade:SerdesLoopbackTest Failed

A failure was detected during the Loopback test.

Recoverable

No

Severity

Error

Serviceable

Yes

Automatically notify support

No

User Response

Complete the following steps:

1. Rerun the test.
2. Verify whether the firmware is at proper level.
3. Rerun the test.
4. If the problem remains, contact your IBM technical-support representative.

Related links

- IBM Support website
- Latest level of DSA
- Latest level of BMC/IMM

• **218-903-000 : Brocade:PCILoopbackTest Failed**

A failure was detected during the Loopback test.

Recoverable

No

Severity

Error

Serviceable

Yes

Automatically notify support

No

User Response

Complete the following steps:

1. Rerun the test.
2. Verify whether the firmware is at proper level.
3. Rerun the test.
4. If the problem remains, contact your IBM technical-support representative.

Related links

- IBM Support website
- Latest level of DSA
- Latest level of BMC/IMM

• **218-904-000 : Brocade:ExternalEthLoopbackTest Failed**

A failure was detected during the Loopback test.

Recoverable

No

Severity

Error

Serviceable

Yes

Automatically notify support

No

User Response

Complete the following steps:

1. Check or replace SFP/cable.
2. Rerun the test.
3. Verify whether the firmware is at proper level.
4. Rerun the test.
5. If the problem remains, contact your IBM technical-support representative.

Related links

- IBM Support website
- Latest level of DSA
- Latest level of BMC/IMM

• **218-905-000 : Brocade:SerdesEthLoopbackTest Failed**

A failure was detected during the Loopback test.

Recoverable

No

Severity

Error

Serviceable

Yes

Automatically notify support

No

User Response

Complete the following steps:

1. Rerun the test.
2. Verify whether the firmware is at proper level.
3. Rerun the test.
4. If the problem remains, contact your IBM technical-support representative.

Related links

- IBM Support website
- Latest level of DSA
- Latest level of BMC/IMM

• **218-906-000 : Brocade:InternalLoopbackTest Failed**

A failure was detected during the Loopback test.

Recoverable

No

Severity

Error

Serviceable

Yes

Automatically notify support

No

User Response

Complete the following steps:

1. Rerun the test.
2. Verify whether the firmware is at proper level.
3. Rerun the test.
4. If the problem remains, contact your IBM technical-support representative.

Related links

- IBM Support website
- Latest level of DSA
- Latest level of BMC/IMM

DSA Emulex adapter test results

The following messages can result when you run the Emulex adapter test.

Test results for the DSA Emulex adapter test

The following messages can result when you run the DSA Emulex adapter test.

- **516-000-000 : ELXUCNA: NIC MAC LoopBackTest Passed**

The test passed.

Recoverable

No

Severity

Event

Serviceable

No

Automatically notify support

No

Related links

- IBM Support website
- Latest level of DSA
- Latest level of BMC/IMM

- **516-001-000 : ELXUCNA: NIC PHY LoopBackTest Passed**

The test passed.

Recoverable

No

Severity

Event

Serviceable

No

Automatically notify support

No

Related links

- IBM Support website
- Latest level of DSA
- Latest level of BMC/IMM

- **516-002-000 : ELXUCNA: ELXUCNA: NIC LED(Beacon)Test Passed**

The test passed.

Recoverable

No

Severity

Event

Serviceable

No

Automatically notify support

No

Related links

- IBM Support website
- Latest level of DSA
- Latest level of BMC/IMM

- **516-800-000 : ELXUCNA: NIC MAC LoopBackTest Aborted**

Loopback testing at the MAC layer was canceled.

Recoverable

No

Severity

Warning

Serviceable

No

Automatically notify support

No

Related links

- IBM Support website
- Latest level of DSA
- Latest level of BMC/IMM

- **516-801-000 : ELXUCNA: NIC PHY LoopBackTest Aborted**

Loopback testing at the physical layer was canceled.

Recoverable

No

Severity

Warning

Serviceable

No

Automatically notify support

No

Related links

- IBM Support website
- Latest level of DSA
- Latest level of BMC/IMM

- **516-802-000 : ELXUCNA: ELXUCNA: NIC LED(Beacon)Test Aborted**

Verification of status LEDs was canceled.

Recoverable

No

Severity

Warning

Serviceable

No

Automatically notify support

No

Related links

- IBM Support website
- Latest level of DSA
- Latest level of BMC/IMM

- **516-900-000 : ELXUCNA: NIC MAC LoopBackTest Failed**

A failure was detected during the loopback test at the MAC layer.

Recoverable

No

Severity

Error

Serviceable

Yes

Automatically notify support

No

User Response

Complete the following steps:

1. Check component firmware level and upgrade if necessary. The installed firmware level can be found in the DSA Diagnostic Event Log within the Firmware/VPD section for this component.
2. Rerun the test.
3. If failure remains, refer to "Troubleshooting by symptom" in the system "Installation and Service Guide" for the next corrective action.

Related links

- IBM Support website
- Latest level of DSA
- Latest level of BMC/IMM

- **516-901-000 : ELXUCNA: NIC PHY LoopBackTest Failed**

A failure was detected during the loopback test at the physical layer.

Recoverable

No

Severity

Error

Serviceable

Yes

Automatically notify support

No

User Response

Complete the following steps:

1. Check component firmware level and upgrade if necessary. The installed firmware level can be found in the DSA Diagnostic Event Log within the Firmware/VPD section for this component.
2. Rerun the test.
3. If failure remains, refer to "Troubleshooting by symptom" in the system "Installation and Service Guide" for the next corrective action.

Related links

- IBM Support website
- Latest level of DSA
- Latest level of BMC/IMM

- **516-902-000 : ELXUCNA: ELXUCNA: NIC LED(Beacon)Test Failed**

A failure was detected while verifying operation of the status LEDs.

Recoverable

No

Severity

Error

Serviceable

Yes

Automatically notify support

No

User Response

Complete the following steps:

1. Check component firmware level and upgrade if necessary. The installed firmware level can be found in the DSA Diagnostic Event Log within the Firmware/VPD section for this component.
2. Rerun the test.
3. If failure remains, refer to "Troubleshooting by symptom" in the system "Installation and Service Guide" for the next corrective action.

Related links

- IBM Support website
- Latest level of DSA
- Latest level of BMC/IMM

DSA Mellanox adapter test results

The following messages can result when you run the Mellanox adapter test.

Test results for the DSA Mellanox adapter test

The following messages can result when you run the DSA Mellanox adapter test.

- **408-000-000 : MLNX:MLNX_DiagnosticTestEthernetPort Test Passed**

Port Test Passed.

Recoverable

No

Severity

Event

Serviceable

No

Automatically notify support

No

Related links

- IBM Support website
- Latest level of DSA
- Latest level of BMC/IMM

- **408-001-000 : MLNX:MLNX_DiagnosticTestIBPort Test Passed**

Port Test Passed.

Recoverable

No

Severity

Event

Serviceable

No

Automatically notify support

No

Related links

- IBM Support website
- Latest level of DSA
- Latest level of BMC/IMM

- **408-800-000 : MLNX:MLNX_DiagnosticTestEthernetPort Test Aborted**

Port Test was canceled.

Recoverable

No

Severity

Warning

Serviceable

No

Automatically notify support

No

Related links

- IBM Support website
- Latest level of DSA
- Latest level of BMC/IMM

- **408-801-000 : MLNX:MLNX_DiagnosticTestIBPort Test Aborted**

Port Test was canceled.

Recoverable

No

Severity

Warning

Serviceable

No

Automatically notify support

No

Related links

- IBM Support website
- Latest level of DSA
- Latest level of BMC/IMM

- **408-900-000 : MLNX:MLNX_DiagnosticTestEthernetPort Test Failed**

Port Test Failed.

Recoverable

No

Severity

Error

Serviceable

Yes

Automatically notify support

No

User Response

Complete the following steps:

1. Make sure that the physical link of the port under test in the active state.
2. If these condition was met but the test keeps failing the port's adapter might be faulty.
3. Try replacing the adapter and repeating the test.

Related links

- IBM Support website
- Latest level of DSA
- Latest level of BMC/IMM

- **408-901-000 : MLNX:MLNX_DiagnosticTestIBPort Test Failed**

Port Test Failed.

Recoverable

No

Severity

Error

Serviceable

Yes

Automatically notify support

No

User Response

Complete the following steps:

1. Make sure that the physical link of the port under test in the active state and a subnet manager running on the fabric to which the port is attached.
2. If these condition was met but the test keeps failing the port's adapter might be faulty.
3. Try replacing the adapter and repeating the test.

Related links

- IBM Support website
- Latest level of DSA
- Latest level of BMC/IMM

DSA EXA port ping test results

The following messages can result when you run the EXA port ping test.

Test results for the DSA EXA port ping test

The following messages can result when you run the DSA EXA port ping test.

- **401-000-000 : EXA Port Ping Test Passed**

EXA Port Ping Test Passed.

Recoverable

No

Severity

Event

Serviceable

No

Automatically notify support

No

Related links

- IBM Support website
- Latest level of DSA
- Latest level of BMC/IMM

- **401-801-000 : EXA Port Ping Test Aborted**

EXA Port Ping Test Aborted. Unable to get device base address.

Recoverable

No

Severity

Warning

Serviceable

Yes

Automatically notify support

No

User Response

Complete the following steps:

1. Remove power cables, wait for 45 seconds, reconnect and rerun the test.
2. Make sure that the scalability cable connections are as per specification.

3. Make sure that DSA and BIOS/uEFI are at the latest level.
4. If the problem remains, contact your technical-service representative.

Related links

- IBM Support website
- Latest level of DSA
- Latest level of BMC/IMM

- **401-802-000 : EXA Port Ping Test Aborted**

EXA Port Ping Test Aborted. Port connections may not be correct.

Recoverable

No

Severity

Warning

Serviceable

Yes

Automatically notify support

No

User Response

Complete the following steps:

1. Remove power cables, wait for 45 seconds, reconnect and rerun the test.
2. Make sure that the scalability cable connections are as per specification.
3. Make sure that DSA and BIOS/uEFI are at the latest level.
4. If the problem remains, contact your technical-service representative.

Related links

- IBM Support website
- Latest level of DSA
- Latest level of BMC/IMM

- **401-901-001 : EXA Port Ping Test Failed**

EXA Port Ping Test Failed.

Recoverable

No

Severity

Error

Serviceable

Yes

Automatically notify support

No

User Response

Complete the following steps:

1. Remove power cables, wait for 45 seconds, reconnect and rerun the test.
2. Make sure that the scalability cable connections are as per specification.
3. Check scalability cables for loose connections.
4. Replace the scalability cable(s) for specified port(s).
5. If the problem remains, contact your technical-service representative.

Related links

- IBM Support website
- Latest level of DSA
- Latest level of BMC/IMM

DSA Intel network test results

The following messages can result when you run the Intel network test.

Test results for the DSA Intel network test

The following messages can result when you run the DSA Intel network test.

- **406-000-000 : IANet:Registers Test Passed**

The test passed.

Recoverable

No

Severity

Event

Serviceable

No

Automatically notify support

No

Related links

- IBM Support website
- Latest level of DSA
- Latest level of BMC/IMM

- **406-001-000 : IANet:EEPROM Test Passed**

The test passed.

Recoverable

No

Severity

Event

Serviceable

No

Automatically notify support

No

Related links

- IBM Support website
- Latest level of DSA
- Latest level of BMC/IMM

- **406-002-000 : IANet:FIFO Test Passed**

The test passed.

Recoverable

No

Severity

Event

Serviceable

No

Automatically notify support

No

Related links

- IBM Support website
- Latest level of DSA
- Latest level of BMC/IMM

- **406-003-000 : IANet:Interrupts Test Passed**

The test passed.

Recoverable

No

Severity

Event

Serviceable

No

Automatically notify support

No

Related links

- IBM Support website
- Latest level of DSA
- Latest level of BMC/IMM

- **406-004-000 : IANet:Loopback Test Passed**

The test passed.

Recoverable

No

Severity

Event

Serviceable

No

Automatically notify support

No

Related links

- IBM Support website
- Latest level of DSA
- Latest level of BMC/IMM

- **406-800-000 : IANet:Registers Test Aborted**

Registers test was canceled.

Recoverable

No

Severity

Warning

Serviceable

No

Automatically notify support

No

Related links

- IBM Support website
- Latest level of DSA
- Latest level of BMC/IMM

- **406-801-000 : IANet:EEPROM Test Aborted**

EEPROM test was canceled.

Recoverable

No

Severity

Warning

Serviceable

No

Automatically notify support

No

Related links

- IBM Support website
- Latest level of DSA

- Latest level of BMC/IMM

- **406-802-000 : IANet:FIFO Test Aborted**

FIFO test was canceled.

Recoverable

No

Severity

Warning

Serviceable

No

Automatically notify support

No

Related links

- IBM Support website
- Latest level of DSA
- Latest level of BMC/IMM

- **406-803-000 : IANet:Interrupts Test Aborted**

Interrupt test was canceled.

Recoverable

No

Severity

Warning

Serviceable

No

Automatically notify support

No

Related links

- IBM Support website
- Latest level of DSA
- Latest level of BMC/IMM

- **406-804-000 : IANet:Loopback Test Aborted**

Loopback test was canceled.

Recoverable

No

Severity

Warning

Serviceable

No

Automatically notify support

No

Related links

- IBM Support website
- Latest level of DSA
- Latest level of BMC/IMM

• 406-900-000 : IANet:Registers Test Failed

A failure was detected during the Registers test.

Recoverable

No

Severity

Error

Serviceable

Yes

Automatically notify support

No

User Response

Complete the following steps:

1. Check component firmware level and upgrade if necessary. The installed firmware level can be found in the DSA Diagnostic Event Log within the Firmware/VPD section for this component.
2. Rerun the test.
3. If failure remains, refer to "Troubleshooting by symptom" in the system "Installation and Service Guide" for the next corrective action.

Related links

- IBM Support website
- Latest level of DSA
- Latest level of BMC/IMM

• 406-901-000 : IANet:EEPROM Test Failed

A failure was detected during the EEPROM test.

Recoverable

No

Severity

Error

Serviceable

Yes

Automatically notify support

No

User Response

Complete the following steps:

1. Check component firmware level and upgrade if necessary. The installed firmware level can be found in the DSA Diagnostic Event Log within the Firmware/VPD section for this component.
2. Rerun the test.
3. If failure remains, refer to "Troubleshooting by symptom" in the system "Installation and Service Guide" for the next corrective action.

Related links

- IBM Support website
- Latest level of DSA
- Latest level of BMC/IMM

- **406-902-000 : IANet:FIFO Test Failed**

A failure was detected during the FIFO test.

Recoverable

No

Severity

Error

Serviceable

Yes

Automatically notify support

No

User Response

Complete the following steps:

1. Check component firmware level and upgrade if necessary. The installed firmware level can be found in the DSA Diagnostic Event Log within the Firmware/VPD section for this component.
2. Rerun the test.
3. If failure remains, refer to "Troubleshooting by symptom" in the system "Installation and Service Guide" for the next corrective action.

Related links

- IBM Support website
- Latest level of DSA
- Latest level of BMC/IMM

- **406-903-000 : IANet:Interrupts Test Failed**

A failure was detected during the Interrupt test.

Recoverable

No

Severity

Error

Serviceable

Yes

Automatically notify support

No

User Response

Complete the following steps:

1. Check component firmware level and upgrade if necessary. The installed firmware level can be found in the DSA Diagnostic Event Log within the Firmware/VPD section for this component.
2. Rerun the test.
3. Check interrupt assignments in the PCI Hardware section of the DSA Diagnostic Log. If the ethernet device is sharing interrupts, if possible modify the interrupt assignments using F1 Setup to assign a unique interrupt to the device.
4. Rerun the test.
5. If failure remains, refer to "Troubleshooting by symptom" in the system "Installation and Service Guide" for the next corrective action.

Related links

- IBM Support website
- Latest level of DSA
- Latest level of BMC/IMM

• 406-904-000 : IANet:Loopback Test Failed

A failure was detected during the Loopback test.

Recoverable

No

Severity

Error

Serviceable

Yes

Automatically notify support

No

User Response

Complete the following steps:

1. Check the Ethernet cable for damage and ensure correct cable type and attachment.
2. Check component firmware level and upgrade if necessary. The installed firmware level can be found in the DSA Diagnostic Event Log within the Firmware/VPD section for this component.
3. Rerun the test.
4. If failure remains, refer to "Troubleshooting by symptom" in the system "Installation and Service Guide" for the next corrective action.

Related links

- IBM Support website
- Latest level of DSA
- Latest level of BMC/IMM

Event messages

Use this information to review event messages and resolve many errors.

Note: IMM and UEFI events related to communications errors can take up to 20 minutes to be displayed in the CMM event log.

When viewing event messages in the CMM event log, look for events that might have occurred earlier in the log that are related to the problem you are experiencing. For example, if you see an event for a microprocessor bus error, look for errors relating to memory that could also be the cause of this error.

IMM messages

When a hardware event is detected by the IMM on a Lenovo Flex System x240 M5 compute node, the IMM logs that event in the system-event log in the compute node. In addition, the IMM sends that event to the CMM and to the Lenovo XClarity Administrator (if installed) or the Flex System Manager management software (if installed).

For each event code, the following fields are displayed:

Event identifier

A hexadecimal identifier that uniquely identifies an event or class of events. In this documentation, the event identifiers are prefixed with 0x and followed by eight characters.

Event description

The logged message string that appears for an event. When the event string is displayed in the system-event log, information such as a specific component is displayed. In this documentation, that additional information appears as variables, such as [arg1] or [arg2].

Explanation

Additional information to explain why the event occurred.

Severity

An indication of the level of concern for the condition. In the system-event log, the severity is abbreviated to the first character. The following severities can be displayed:

- **Info:** The event was recorded for audit purposes. This is usually a user action or a change of states that is normal behavior.
- **Warning:** The event is not as severe as an error, but if possible, the condition should be corrected before it becomes an error. It might also be a condition that requires additional monitoring or maintenance.
- **Error:** The event is a failure or critical condition that impairs service or an expected function.

Alert Category

Similar events are grouped in categories. The alert category is in the following format:

severity - device component

severity is one of the following severity levels:

- **Critical:** A key component in the server is no longer functioning.
- **Warning:** The event might progress to a critical level.
- **System:** The event is the result of a system error or a configuration change.

device component is the specific device in the compute node that caused the event to be generated.

Serviceable

Whether user action is required to correct the problem.

CIM Information

The prefix of the message ID and the sequence number that is used by the CIM message registry.

SNMP Trap ID

The SNMP trap ID that is found in the SNMP alert management information base (MIB).

Automatically notify Support

If this field is set to **Yes** and you have enabled Call Home on the Lenovo XClarity Administrator (if installed) or Electronic Service Agent (ESA) on the Flex System Manager management software (if installed), Lenovo Support will be notified automatically if the event is generated.

If the Lenovo XClarity Administrator or Flex System Manager management software is not installed, you can enable automatic notification of Lenovo Support from the CMM web interface.

While you wait for Lenovo Support to call, you can perform the recommended actions for the event.

User response

The actions that you should perform to solve the event.

Perform the steps listed in this section in the order shown until the problem is solved. After you perform all of the actions that are described in this field, if you cannot solve the problem, contact Lenovo Support.

Note: This list includes error codes and messages that might not apply to this machine type and model.

List of IMM events

This section lists all messages that can be sent from the IMM.

- **40000001-00000000 : Management Controller [arg1] Network Initialization Complete.**

The IMM network subsystem initialization has completed.

Severity

Info

Serviceable

No

Automatically notify support

No

Alert Category

System - IMM Network event

SNMP Trap ID

37

CIM Information

Prefix: IMM ID: 0001

User Response

Information only; no action is required.

- **40000002-00000000 : Certificate Authority [arg1] has detected a [arg2] Certificate Error.**

A problem has occurred with the SSL Server, SSL Client, or SSL Trusted CA certificate that has been imported into the IMM. The imported certificate must contain a public key that corresponds to the key pair that was previously generated by the Generate a New Key and Certificate Signing Request link.

Severity

Error

Serviceable

No

Automatically notify support

No

Alert Category

System - other

SNMP Trap ID

22

CIM Information

Prefix: IMM ID: 0002

User Response

Make sure that the certificate that you are importing is correct and properly generated.

- **40000003-00000000 : Ethernet Data Rate modified from [arg1] to [arg2] by user [arg3].**

The specified user has changed the Ethernet data rate of the Integrated Management Module external network interface to the specified value.

Severity

Info

Serviceable

No

Automatically notify support

No

Alert Category

none

SNMP Trap ID**CIM Information**

Prefix: IMM ID: 0003

User Response

Information only; no action is required.

- **40000004-00000000 : Ethernet Duplex setting modified from [arg1] to [arg2] by user [arg3].**

The specified user has changed the Ethernet duplex setting of the Integrated Management Module external network interface to the specified value.

Severity

Info

Serviceable

No

Automatically notify support

No

Alert Category

none

SNMP Trap ID**CIM Information**

Prefix: IMM ID: 0004

User Response

Information only; no action is required.

- **40000005-00000000 : Ethernet MTU setting modified from [arg1] to [arg2] by user [arg3].**

The specified user has changed the Ethernet maximum transmission unit (MTU) setting of the Integrated Management Module external network interface to the specified value.

Severity

Info

Serviceable

No

Automatically notify support

No

Alert Category

none

SNMP Trap ID**CIM Information**

Prefix: IMM ID: 0005

User Response

Information only; no action is required.

- **40000006-00000000 : Ethernet locally administered MAC address modified from [arg1] to [arg2] by user [arg3].**

The specified user has changed the Ethernet locally administered MAC address of the Integrated Management Module external network interface to the specified value.

Severity

Info

Serviceable

No

Automatically notify support

No

Alert Category

none

SNMP Trap ID**CIM Information**

Prefix: IMM ID: 0006

User Response

Information only; no action is required.

- **40000007-00000000 : Ethernet interface [arg1] by user [arg2].**

The specified user has enabled or disabled the Ethernet interface.

Severity

Info

Serviceable

No

Automatically notify support

No

Alert Category

none

SNMP Trap ID**CIM Information**

Prefix: IMM ID: 0007

User Response

Information only; no action is required.

- **40000008-00000000 : Hostname set to [arg1] by user [arg2].**

The specified user has changed the Integrated Management Module host name.

Severity

Info

Serviceable

No

Automatically notify support

No

Alert Category

System - IMM Network event

SNMP Trap ID

37

CIM Information

Prefix: IMM ID: 0008

User Response

Information only; no action is required.

- **40000009-00000000 : IP address of network interface modified from [arg1] to [arg2] by user [arg3].**

The specified user has changed the IP address of the Integrated Management Module external network interface to the specified value.

Severity

Info

Serviceable

No

Automatically notify support

No

Alert Category

System - IMM Network event

SNMP Trap ID

37

CIM Information

Prefix: IMM ID: 0009

User Response

Information only; no action is required.

- **4000000a-00000000 : IP subnet mask of network interface modified from [arg1] to [arg2] by user [arg3].**

The specified user has changed the subnet mask of the Integrated Management Module external network interface to the specified value.

Severity

Info

Serviceable

No

Automatically notify support

No

Alert Category

none

SNMP Trap ID

CIM Information

Prefix: IMM ID: 0010

User Response

Information only; no action is required.

- **4000000b-00000000 : IP address of default gateway modified from [arg1] to [arg2] by user [arg3].**

The specified user has changed the gateway address of the Integrated Management Module external network interface to the specified value.

Severity

Info

Serviceable

No

Automatically notify support

No

Alert Category

none

SNMP Trap ID**CIM Information**

Prefix: IMM ID: 0011

User Response

Information only; no action is required.

- **4000000c-00000000 : OS Watchdog response [arg1] by [arg2] .**

The OS Watchdog timer has been enabled or disabled by a user.

Severity

Info

Serviceable

No

Automatically notify support

No

Alert Category

none

SNMP Trap ID**CIM Information**

Prefix: IMM ID: 0012

User Response

Information only; no action is required.

- **4000000d-00000000 : DHCP[[arg1]] failure, no IP address assigned.**

A DHCP server has failed to assign an IP address to the IMM.

Severity

Warning

Serviceable

No

Automatically notify support

No

Alert Category

none

SNMP Trap ID**CIM Information**

Prefix: IMM ID: 0013

User Response

Complete the following steps until the problem is solved:

1. Make sure that the IMM network cable is connected.
2. Make sure that there is a DHCP server on the network that can assign an IP address to the IMM.

- **4000000e-00000000 : Remote Login Successful. Login ID: [arg1] from [arg2] at IP address [arg3].**

The specified user has logged in to the Integrated Management Module.

Severity

Info

Serviceable

No

Automatically notify support

No

Alert Category

System - Remote Login

SNMP Trap ID

30

CIM Information

Prefix: IMM ID: 0014

User Response

Information only; no action is required.

- **4000000f-00000000 : Attempting to [arg1] server [arg2] by user [arg3].**

The specified user has initiated a power function on the system using the Management Controller.

Severity

Info

Serviceable

No

Automatically notify support

No

Alert Category

none

SNMP Trap ID

CIM Information

Prefix: IMM ID: 0015

User Response

Information only; no action is required.

- **40000010-00000000 : Security: Userid: [arg1] had [arg2] login failures from WEB client at IP address [arg3].**

A user has exceeded the maximum allowed number of unsuccessful login attempts from a web browser and has been prevented from logging in for the lockout period.

Severity

Warning

Serviceable

No

Automatically notify support

No

Alert Category

System - Remote Login

SNMP Trap ID

30

CIM Information

Prefix: IMM ID: 0016

User Response

Complete the following steps until the problem is solved:

1. Make sure that the correct login ID and password are being used.
2. Have the system administrator reset the login ID or password.

- **40000011-00000000 : Security: Login ID: [arg1] had [arg2] login failures from CLI at [arg3].**

A user has exceeded the maximum allowed number of unsuccessful login attempts from the command-line interface and has been prevented from logging in for the lockout period.

Severity

Warning

Serviceable

No

Automatically notify support

No

Alert Category

System - Remote Login

SNMP Trap ID

30

CIM Information

Prefix: IMM ID: 0017

User Response

Complete the following steps until the problem is solved:

1. Make sure that the correct login ID and password are being used.
2. Have the system administrator reset the login ID or password.

- **40000012-00000000 : Remote access attempt failed. Invalid userid or password received. Userid is [arg1] from WEB browser at IP address [arg2].**

A user has attempted to log in from a web browser by using an invalid login ID or password.

Severity

Info

Serviceable

No

Automatically notify support

No

Alert Category

System - Remote Login

SNMP Trap ID

30

CIM Information

Prefix: IMM ID: 0018

User Response

Make sure that the correct login ID and password are being used.

- **40000013-00000000 : Remote access attempt failed. Invalid userid or password received. Userid is [arg1] from TELNET client at IP address [arg2].**

A user has attempted to log in from a Telnet session by using an invalid login ID or password.

Severity

Info

Serviceable

No

Automatically notify support

No

Alert Category

System - Remote Login

SNMP Trap ID

30

CIM Information

Prefix: IMM ID: 0019

User Response

Make sure that the correct login ID and password are being used.

- **40000014-00000000 : The [arg1] on system [arg2] cleared by user [arg3].**

The specified user has deleted system log events or audit log events.

Severity

Info

Serviceable

No

Automatically notify support

No

Alert Category

none

SNMP Trap ID

CIM Information

Prefix: IMM ID: 0020

User Response

Information only; no action is required.

- **40000015-00000000 : Management Controller [arg1] reset was initiated by user [arg2].**

The Integrated Management Module has been reset. The logs provide additional details.

Severity

Info

Serviceable

No

Automatically notify support

No

Alert Category

none

SNMP Trap ID

CIM Information

Prefix: IMM ID: 0021

User Response

Information only; no action is required.

- **40000016-00000000 : ENET[[arg1]] DHCP-HSTN=[arg2], DN=[arg3], IP@=[arg4], SN=[arg5], GW@=[arg6], DNS1@=[arg7] .**

The DHCP server has assigned an IMM IP address and configuration.

Severity

Info

Serviceable

No

Automatically notify support

No

Alert Category

none

SNMP Trap ID

CIM Information

Prefix: IMM ID: 0022

User Response

Information only; no action is required.

- **40000017-00000000 : ENET[[arg1]] IP-Cfg:HstName=[arg2], IP@[arg3] ,NetMsk=[arg4], GW@[arg5] .**

An IMM IP address and configuration have been assigned using client data.

Severity

Info

Serviceable

No

Automatically notify support

No

Alert Category

none

SNMP Trap ID

CIM Information

Prefix: IMM ID: 0023

User Response

Information only; no action is required.

- **40000018-00000000 : LAN: Ethernet[[arg1]] interface is no longer active.**

The IMM Ethernet interface has been disabled.

Severity

Info

Serviceable

No

Automatically notify support

No

Alert Category

none

SNMP Trap ID

CIM Information

Prefix: IMM ID: 0024

User Response

Information only; no action is required.

- **40000019-00000000 : LAN: Ethernet[[arg1]] interface is now active.**

The IMM Ethernet interface has been enabled.

Severity

Info

Serviceable

No

Automatically notify support

No

Alert Category

none

SNMP Trap ID**CIM Information**

Prefix: IMM ID: 0025

User Response

Information only; no action is required.

- **4000001a-00000000 : DHCP setting changed to [arg1] by user [arg2].**

The specified user has changed the DHCP setting of the Integrated Management Module external network interface.

Severity

Info

Serviceable

No

Automatically notify support

No

Alert Category

none

SNMP Trap ID**CIM Information**

Prefix: IMM ID: 0026

User Response

Information only; no action is required.

- **4000001b-00000000 : Management Controller [arg1]: Configuration restored from a file by user [arg2].**

The specified user has restored the Integrated Management Module (IMM) configuration from a previously saved configuration file. Some configuration settings might require that the IMM be restarted before they take effect.

Severity

Info

Serviceable

No

Automatically notify support

No

Alert Category

none

SNMP Trap ID

CIM Information

Prefix: IMM ID: 0027

User Response

Information only; no action is required.

- **4000001c-00000000 : Watchdog [arg1] Screen Capture Occurred.**

An operating-system error has occurred, and the screen capture was successful.

Severity

Info

Serviceable

No

Automatically notify support

No

Alert Category

System - other

SNMP Trap ID

22

CIM Information

Prefix: IMM ID: 0028

User Response

If there was no operating-system error, complete the following steps until the problem is solved:

1. Reconfigure the watchdog timer to a higher value.
2. Make sure that the IMM Ethernet-over-USB interface is enabled.
3. Reinstall the RNDIS or cdc_ether device driver for the operating system.
4. Disable the watchdog.

If there was an operating-system error, check the integrity of the installed operating system.

Related links

- "Installing the LAN over USB Linux device driver" on page 48
- "Installing the LAN over USB Windows device driver" on page 47

- **4000001d-00000000 : Watchdog [arg1] Failed to Capture Screen.**

An operating-system error has occurred, and the screen capture failed.

Severity

Error

Serviceable

No

Automatically notify support

No

Alert Category

System - other

SNMP Trap ID

22

CIM Information**Prefix:** IMM ID: 0029**User Response**

Complete the following steps until the problem is solved:

1. Reconfigure the watchdog timer to a higher value.
2. Make sure that the IMM Ethernet over USB interface is enabled.
3. Reinstall the RNDIS or cdc_ether device driver for the operating system.
4. Disable the watchdog.
5. Check the integrity of the installed operating system.
6. Update the IMM firmware. **Important:** Some cluster solutions require specific code levels or coordinated code updates. If the device is part of a cluster solution, verify that the latest level of code is supported for the cluster solution before you update the code.

Related links

- "Installing the LAN over USB Linux device driver" on page 48
- "Installing the LAN over USB Windows device driver" on page 47

- **4000001e-00000000 : Running the backup Management Controller [arg1] main application.**

The IMM was unable to run the primary IMM image and has resorted to running the backup image.

Severity

Warning

Serviceable

No

Automatically notify support

No

Alert Category

System - other

SNMP Trap ID

22

CIM Information**Prefix:** IMM ID: 0030**User Response**

Update the IMM firmware. **Important:** Some cluster solutions require specific code levels or coordinated code updates. If the device is part of a cluster solution, verify that the latest level of code is supported for the cluster solution before you update the code.

Related links

- "Updating firmware and device drivers" on page 21
- IBM Flex System and IBM PureFlex Firmware Updates Best Practices

- **4000001f-00000000 : Please ensure that the Management Controller [arg1] is flashed with the correct firmware. The Management Controller is unable to match its firmware to the server.**

The server does not support the installed IMM firmware version.

Severity

Error

Serviceable

No

Automatically notify support

No

Alert Category

System - other

SNMP Trap ID

22

CIM Information

Prefix: IMM ID: 0031

User Response

Update the IMM firmware to a version that the server supports. **Important:** Some cluster solutions require specific code levels or coordinated code updates. If the device is part of a cluster solution, verify that the latest level of code is supported for the cluster solution before you update the code.

Related links

- "Updating firmware and device drivers" on page 21
- IBM Flex System and IBM PureFlex Firmware Updates Best Practices

- **40000020-00000000 : Management Controller [arg1] Reset was caused by restoring default values.**

The default configuration has been restored to the Integrated Management Module.

Severity

Info

Serviceable

No

Automatically notify support

No

Alert Category

none

SNMP Trap ID

CIM Information

Prefix: IMM ID: 0032

User Response

Information only; no action is required.

- **40000021-00000000 : Management Controller [arg1] clock has been set from NTP server [arg2].**

The IMM clock has been set to the date and time that are provided by the Network Time Protocol server.

Severity

Info

Serviceable

No

Automatically notify support

No

Alert Category

none

SNMP Trap ID**CIM Information**

Prefix: IMM ID: 0033

User Response

Information only; no action is required.

- **40000022-00000000 : SSL data in the Management Controller [arg1] configuration data is invalid. Clearing configuration data region and disabling SSL.**

There is a problem with the certificate that has been imported into the IMM. The imported certificate must contain a public key that corresponds to the key pair that was previously generated through the Generate a New Key and Certificate Signing Request link.

Severity

Error

Serviceable

No

Automatically notify support

No

Alert Category

System - other

SNMP Trap ID

22

CIM Information

Prefix: IMM ID: 0034

User Response

Complete the following steps until the problem is solved:

1. Make sure that the certificate that you are importing is correct.
2. Try to import the certificate again.

- **40000023-00000000 : Flash of [arg1] from [arg2] succeeded for user [arg3] .**

The specified firmware update has been completed.

Severity

Info

Serviceable

No

Automatically notify support

No

Alert Category

none

SNMP Trap ID

CIM Information

Prefix: IMM ID: 0035

User Response

Information only; no action is required.

- **40000024-00000000 : Flash of [arg1] from [arg2] failed for user [arg3].**

The specified firmware has not been updated.

Severity

Info

Serviceable

No

Automatically notify support

No

Alert Category

System - other

SNMP Trap ID

22

CIM Information

Prefix: IMM ID: 0036

User Response

Information only; no action is required.

- **40000025-00000000 : The [arg1] on system [arg2] is 75% full.**

The IMM event log is 75% full. When the event log is completely full, the new entries will overwrite the oldest entries. To avoid losing older log entries, save the log as a text file and clear the log.

Severity

Info

Serviceable

No

Automatically notify support

No

Alert Category

System - Event Log Fullness

SNMP Trap ID

35

CIM Information

Prefix: IMM ID: 0037

User Response

Information only; no action is required.

- **40000026-00000000 : The [arg1] on system [arg2] is 100% full.**

The IMM event log is full. New entries in the log will overwrite the oldest entries. To avoid losing older log entries, save the log as a text file and clear the log.

Severity

Info

Serviceable

No

Automatically notify support

No

Alert Category

System - Event Log Fullness

SNMP Trap ID

35

CIM Information

Prefix: IMM ID: 0038

User Response

To avoid losing older log entries, save the log as a text file and clear the log.

- **40000027-00000000 : Platform Watchdog Timer expired for [arg1].**

A Platform Watchdog Timer Expired event has occurred.

Severity

Error

Serviceable

No

Automatically notify support

No

Alert Category

System - OS Timeout

SNMP Trap ID

21

CIM Information

Prefix: IMM ID: 0039

User Response

Complete the following steps until the problem is solved:

1. Reconfigure the watchdog timer to a higher value.
2. Make sure that the IMM Ethernet-over-USB interface is enabled.
3. Reinstall the RNDIS or cdc_ether device driver for the operating system.

4. Disable the watchdog.
5. Check the integrity of the installed operating system.

Related links

- "Installing the LAN over USB Linux device driver" on page 48
- "Installing the LAN over USB Windows device driver" on page 47

- **40000028-00000000 : Management Controller Test Alert Generated by [arg1].**

The Integrated Management Module has sent a test message to help verify connectivity.

Severity

Info

Serviceable

No

Automatically notify support

No

Alert Category

System - other

SNMP Trap ID

22

CIM Information

Prefix: IMM ID: 0040

User Response

Information only; no action is required.

- **40000029-00000000 : Security: Userid: [arg1] had [arg2] login failures from an SSH client at IP address [arg3].**

A user has exceeded the maximum allowed number of unsuccessful login attempts from SSH and has been prevented from logging in for the lockout period.

Severity

Info

Serviceable

No

Automatically notify support

No

Alert Category

System - Remote Login

SNMP Trap ID

30

CIM Information

Prefix: IMM ID: 0041

User Response

Complete the following steps until the problem is solved:

1. Make sure that the correct login ID and password are being used.
2. Have the system administrator reset the login ID or password.

- **4000002a-00000000 : [arg1] firmware mismatch internal to system [arg2]. Please attempt to flash the [arg3] firmware.**

A specific type of firmware mismatch has been detected.

Severity

Error

Serviceable

No

Automatically notify support

No

Alert Category

System - Other

SNMP Trap ID

22

CIM Information

Prefix: IMM ID: 0042

User Response

Update the IMM firmware to the latest version.

Related links

- "Updating firmware and device drivers" on page 21
- IBM Flex System and IBM PureFlex Firmware Updates Best Practices

- **4000002b-00000000 : Domain name set to [arg1].**

Domain name set by user.

Severity

Info

Serviceable

No

Automatically notify support

No

Alert Category

none

SNMP Trap ID

CIM Information

Prefix: IMM ID: 0043

User Response

Information only; no action is required.

- **4000002c-00000000 : Domain Source changed to [arg1] by user [arg2].**

Domain source changed by user.

Severity

Info

Serviceable

No

Automatically notify support

No

Alert Category

none

SNMP Trap ID

CIM Information

Prefix: IMM ID: 0044

User Response

Information only; no action is required.

- **4000002d-00000000 : DDNS setting changed to [arg1] by user [arg2].**

DDNS setting changed by user.

Severity

Info

Serviceable

No

Automatically notify support

No

Alert Category

none

SNMP Trap ID

CIM Information

Prefix: IMM ID: 0045

User Response

Information only; no action is required.

- **4000002e-00000000 : DDNS registration successful. The domain name is [arg1].**

The DDNS registration was successful.

Severity

Info

Serviceable

No

Automatically notify support

No

Alert Category

none

SNMP Trap ID

CIM Information

Prefix: IMM ID: 0046

User Response

Information only; no action is required.

- **4000002f-00000000 : IPv6 enabled by user [arg1] .**

The specified user has enabled IPv6 support on the Integrated Management Module.

Severity

Info

Serviceable

No

Automatically notify support

No

Alert Category

none

SNMP Trap ID

CIM Information

Prefix: IMM ID: 0047

User Response

Information only; no action is required.

- **40000030-00000000 : IPv6 disabled by user [arg1] .**

The specified user has disabled IPv6 support on the Integrated Management Module.

Severity

Info

Serviceable

No

Automatically notify support

No

Alert Category

none

SNMP Trap ID

CIM Information

Prefix: IMM ID: 0048

User Response

Information only; no action is required.

- **40000031-00000000 : IPv6 static IP configuration enabled by user [arg1].**

The specified user has enabled IPv6 static address assignment on the Integrated Management Module.

Severity

Info

Serviceable

No

Automatically notify support

No

Alert Category

none

SNMP Trap ID**CIM Information**

Prefix: IMM ID: 0049

User Response

Information only; no action is required.

- **40000032-00000000 : IPv6 DHCP enabled by user [arg1].**

The specified user has enabled DHCPv6 on the Integrated Management Module.

Severity

Info

Serviceable

No

Automatically notify support

No

Alert Category

none

SNMP Trap ID**CIM Information**

Prefix: IMM ID: 0050

User Response

Information only; no action is required.

- **40000033-00000000 : IPv6 stateless auto-configuration enabled by user [arg1].**

IPv6 stateless address auto-configuration has been enabled on the Integrated Management Module by the specified user.

Severity

Info

Serviceable

No

Automatically notify support

No

Alert Category

none

SNMP Trap ID

CIM Information

Prefix: IMM ID: 0051

User Response

Information only; no action is required.

- **40000034-00000000 : IPv6 static IP configuration disabled by user [arg1].**

The specified user has disabled IPv6 static address assignment on the Integrated Management Module.

Severity

Info

Serviceable

No

Automatically notify support

No

Alert Category

none

SNMP Trap ID

CIM Information

Prefix: IMM ID: 0052

User Response

Information only; no action is required.

- **40000035-00000000 : IPv6 DHCP disabled by user [arg1].**

The specified user has disabled DHCPv6 on the Integrated Management Module.

Severity

Info

Serviceable

No

Automatically notify support

No

Alert Category

none

SNMP Trap ID

CIM Information

Prefix: IMM ID: 0053

User Response

Information only; no action is required.

- **40000036-00000000 : IPv6 stateless auto-configuration disabled by user [arg1].**

IPv6 stateless address auto-configuration has been disabled on the Integrated Management Module by the specified user.

Severity

Info

Serviceable

No

Automatically notify support

No

Alert Category

none

SNMP Trap ID**CIM Information**

Prefix: IMM ID: 0054

User Response

Information only; no action is required.

- **40000037-00000000 : ENET[[arg1]] IPv6-LinkLocal:HstName=[arg2], IP@[arg3], Pref=[arg4] .**

The IPv6 link-local address is active.

Severity

Info

Serviceable

No

Automatically notify support

No

Alert Category

none

SNMP Trap ID**CIM Information**

Prefix: IMM ID: 0055

User Response

Information only; no action is required.

- **40000038-00000000 : ENET[[arg1]] IPv6-Static:HstName=[arg2], IP@=[arg3], Pref=[arg4], GW@=[arg5].**

The IPv6 static address is active.

Severity

Info

Serviceable

No

Automatically notify support

No

Alert Category

none

SNMP Trap ID

CIM Information

Prefix: IMM ID: 0056

User Response

Information only; no action is required.

- **40000039-00000000 : ENET[[arg1]] DHCPv6-HSTN=[arg2], DN=[arg3], IP@=[arg4], Pref=[arg5].**

The IPv6 DHCP-assigned address is active.

Severity

Info

Serviceable

No

Automatically notify support

No

Alert Category

none

SNMP Trap ID

CIM Information

Prefix: IMM ID: 0057

User Response

Information only; no action is required.

- **4000003a-00000000 : IPv6 static address of network interface modified from [arg1] to [arg2] by user [arg3].**

A user has modified the IPv6 static address of a Management Controller.

Severity

Info

Serviceable

No

Automatically notify support

No

Alert Category

none

SNMP Trap ID**CIM Information**

Prefix: IMM ID: 0058

User Response

Information only; no action is required.

- **4000003b-00000000 : DHCPv6 failure, no IP address assigned.**

The DHCPv6 server has failed to assign an IP address to a management controller.

Severity

Warning

Serviceable

No

Automatically notify support

No

Alert Category

none

SNMP Trap ID**CIM Information**

Prefix: IMM ID: 0059

User Response

Complete the following steps until the problem is solved:

1. Make sure that the IMM network cable is connected.
2. Make sure that there is a DHCPv6 server on the network that can assign an IP address to the IMM.

- **4000003c-00000000 : Platform Watchdog Timer expired for [arg1].**

IMM has detected an OS did not start in the expected amount of time.

Severity

Error

Serviceable

No

Automatically notify support

No

Alert Category

System - Loader timeout

SNMP Trap ID

CIM Information

Prefix: IMM ID: 0060

User Response

1. Reconfigure the watchdog timer to a higher value.
2. Make sure that the IMM Ethernet over USB interface is enabled.
3. Reinstall the RNDIS or cdc_ether device driver for the operating system.
4. Disable the watchdog.
5. Check the integrity of the installed operating system

Related links

- "Installing the LAN over USB Linux device driver" on page 48
- "Installing the LAN over USB Windows device driver" on page 47

- **4000003d-00000000 : Telnet port number changed from [arg1] to [arg2] by user [arg3].**

The specified user has changed the Telnet port number.

Severity

Info

Serviceable

No

Automatically notify support

No

Alert Category

none

SNMP Trap ID**CIM Information**

Prefix: IMM ID: 0061

User Response

Information only; no action is required.

- **4000003e-00000000 : SSH port number changed from [arg1] to [arg2] by user [arg3].**

The specified user has changed the Secure Shell (SSH) port number.

Severity

Info

Serviceable

No

Automatically notify support

No

Alert Category

none

SNMP Trap ID

CIM Information

Prefix: IMM ID: 0062

User Response

Information only; no action is required.

- **4000003f-00000000 : Web-HTTP port number changed from [arg1] to [arg2] by user [arg3].**

The specified user has changed the HTTP port number. New HTTP (web) connections must use the new port number.

Severity

Info

Serviceable

No

Automatically notify support

No

Alert Category

none

SNMP Trap ID

CIM Information

Prefix: IMM ID: 0063

User Response

Information only; no action is required.

- **40000040-00000000 : Web-HTTPS port number changed from [arg1] to [arg2] by user [arg3].**

The specified user has changed the HTTPS port number. New HTTPS (secure web) connections must use the new port number.

Severity

Info

Serviceable

No

Automatically notify support

No

Alert Category

none

SNMP Trap ID

CIM Information

Prefix: IMM ID: 0064

User Response

Information only; no action is required.

- **40000041-00000000 : CIM/XML HTTP port number changed from [arg1] to [arg2] by user [arg3].**

The specified user has changed the CIM HTTP port number.

Severity

Info

Serviceable

No

Automatically notify support

No

Alert Category

none

SNMP Trap ID

CIM Information

Prefix: IMM ID: 0065

User Response

Information only; no action is required.

- **40000042-00000000 : CIM/XML HTTPS port number changed from [arg1] to [arg2] by user [arg3].**

The specified user has changed the CIM HTTPS port number.

Severity

Info

Serviceable

No

Automatically notify support

No

Alert Category

none

SNMP Trap ID

CIM Information

Prefix: IMM ID: 0066

User Response

Information only; no action is required.

- **40000043-00000000 : SNMP Agent port number changed from [arg1] to [arg2] by user [arg3].**

The specified user has changed the Simple Network Management Protocol (SNMP) agent port number.

Severity

Info

Serviceable

No

Automatically notify support

No

Alert Category

none

SNMP Trap ID

CIM Information

Prefix: IMM ID: 0067

User Response

Information only; no action is required.

- **40000044-00000000 : SNMP Traps port number changed from [arg1] to [arg2] by user [arg3].**
The specified user has changed the Simple Network Management Protocol (SNMP) traps port number.

Severity

Info

Serviceable

No

Automatically notify support

No

Alert Category

none

SNMP Trap ID

CIM Information

Prefix: IMM ID: 0068

User Response

Information only; no action is required.

- **40000045-00000000 : Syslog port number changed from [arg1] to [arg2] by user [arg3].**
A user has modified the Syslog receiver port number.

Severity

Info

Serviceable

No

Automatically notify support

No

Alert Category

none

SNMP Trap ID

CIM Information

Prefix: IMM ID: 0069

User Response

Information only; no action is required.

- **40000046-00000000 : Remote Presence port number changed from [arg1] to [arg2] by user [arg3].**

A user has modified the Remote Presence port number.

Severity

Info

Serviceable

No

Automatically notify support

No

Alert Category

none

SNMP Trap ID**CIM Information**

Prefix: IMM ID: 0070

User Response

Information only; no action is required.

- **40000047-00000000 : LED [arg1] state changed to [arg2] by [arg3].**

The specified LED has changed state.

Severity

Info

Serviceable

No

Automatically notify support

No

Alert Category

none

SNMP Trap ID**CIM Information**

Prefix: IMM ID: 0071

User Response

Information only; no action is required.

- **40000048-00000000 : Inventory data changed for device [arg1], new device data hash=[arg2], new master data hash=[arg3] .**

The physical inventory has changed.

Severity

Info

Serviceable

No

Automatically notify support

No

Alert Category

none

SNMP Trap ID

CIM Information

Prefix: IMM ID: 0072

User Response

Information only; no action is required.

- **40000049-00000000 : SNMP [arg1] enabled by user [arg2] .**
The specified user has enabled the SNMPv1 or SNMPv3 agent.

Severity

Info

Serviceable

No

Automatically notify support

No

Alert Category

none

SNMP Trap ID

CIM Information

Prefix: IMM ID: 0073

User Response

Information only; no action is required.

- **4000004a-00000000 : SNMP [arg1] disabled by user [arg2] .**
The specified user has disabled the SNMPv1 or SNMPv3 agent.

Severity

Info

Serviceable

No

Automatically notify support

No

Alert Category

none

SNMP Trap ID**CIM Information**

Prefix: IMM ID: 0074

User Response

Information only; no action is required.

- **4000004b-00000000 : SNMPv1 [arg1] set by user [arg2]: Name=[arg3], AccessType=[arg4], Address=[arg5], .**

A user changed the SNMP community string.

Severity

Info

Serviceable

No

Automatically notify support

No

Alert Category

none

SNMP Trap ID**CIM Information**

Prefix: IMM ID: 0075

User Response

Information only; no action is required.

- **4000004c-00000000 : LDAP Server configuration set by user [arg1]: SelectionMethod=[arg2], DomainName=[arg3], Server1=[arg4], Server2=[arg5], Server3=[arg6], Server4=[arg7].**

A user changed the LDAP server configuration.

Severity

Info

Serviceable

No

Automatically notify support

No

Alert Category

none

SNMP Trap ID**CIM Information**

Prefix: IMM ID: 0076

User Response

Information only; no action is required.

- **4000004d-00000000 : LDAP set by user [arg1]: RootDN=[arg2], UIDSearchAttribute=[arg3], BindingMethod=[arg4], EnhancedRBS=[arg5], TargetName=[arg6], GroupFilter=[arg7], GroupAttribute=[arg8], LoginAttribute=[arg9].**

A user configured an LDAP Miscellaneous setting.

Severity

Info

Serviceable

No

Automatically notify support

No

Alert Category

none

SNMP Trap ID**CIM Information**

Prefix: IMM ID: 0077

User Response

Information only; no action is required.

- **4000004e-00000000 : Serial Redirection set by user [arg1]: Mode=[arg2], BaudRate=[arg3], StopBits=[arg4], Parity=[arg5], SessionTerminateSequence=[arg6].**

A user configured the Serial Port mode.

Severity

Info

Serviceable

No

Automatically notify support

No

Alert Category

none

SNMP Trap ID**CIM Information**

Prefix: IMM ID: 0078

User Response

Information only; no action is required.

- **4000004f-00000000 : Date and Time set by user [arg1]: Date=[arg2], Time=[arg3], DST Auto-adjust=[arg4], Timezone=[arg5].**

The specified user has changed the date and time in the Integrated Management Module.

Severity

Info

Serviceable

No

Automatically notify support

No

Alert Category

none

SNMP Trap ID

CIM Information

Prefix: IMM ID: 0079

User Response

Information only; no action is required.

- **40000050-00000000 : Server General Settings set by user [arg1]: Name=[arg2], Contact=[arg3], Location=[arg4], Room=[arg5], RackID=[arg6], Rack U-position=[arg7].**

A user configured the Location setting.

Severity

Info

Serviceable

No

Automatically notify support

No

Alert Category

none

SNMP Trap ID

CIM Information

Prefix: IMM ID: 0080

User Response

Information only; no action is required.

- **40000051-00000000 : Server Power Off Delay set to [arg1] by user [arg2].**

A user configured the Server Power Off Delay.

Severity

Info

Serviceable

No

Automatically notify support

No

Alert Category

none

SNMP Trap ID**CIM Information**

Prefix: IMM ID: 0081

User Response

Information only; no action is required.

- **40000052-00000000 : Server [arg1] scheduled for [arg2] at [arg3] by user [arg4].**

A user configured a Server Power action at a specific time.

Severity

Info

Serviceable

No

Automatically notify support

No

Alert Category

none

SNMP Trap ID**CIM Information**

Prefix: IMM ID: 0082

User Response

Information only; no action is required.

- **40000053-00000000 : Server [arg1] scheduled for every [arg2] at [arg3] by user [arg4].**

A user configured a recurring Server Power Action.

Severity

Info

Serviceable

No

Automatically notify support

No

Alert Category

none

SNMP Trap ID**CIM Information**

Prefix: IMM ID: 0083

User Response

Information only; no action is required.

- **40000054-00000000 : Server [arg1] [arg2] cleared by user [arg3].**

A user cleared a Server Power Action.

Severity

Info

Serviceable

No

Automatically notify support

No

Alert Category

none

SNMP Trap ID

CIM Information

Prefix: IMM ID: 0084

User Response

Information only; no action is required.

- **40000055-00000000 : Synchronize time setting by user [arg1]: Mode=[arg2], NTPServerHost1=[arg3]:[arg4], NTPServerHost2=[arg5]:[arg6], NTPServerHost3=[arg7]:[arg8], NTPServerHost4=[arg9]:[arg10], NTPUpdateFrequency=[arg11].**

A user configured the Date and Time synchronize settings.

Severity

Info

Serviceable

No

Automatically notify support

No

Alert Category

none

SNMP Trap ID

CIM Information

Prefix: IMM ID: 0085

User Response

Information only; no action is required.

- **40000056-00000000 : SMTP Server set by user [arg1] to [arg2]:[arg3].**

A user configured the SMTP server.

Severity

Info

Serviceable

No

Automatically notify support

No

Alert Category

none

SNMP Trap ID

CIM Information

Prefix: IMM ID: 0086

User Response

Information only; no action is required.

- **40000057-00000000 : Telnet [arg1] by user [arg2].**

The specified user has enabled or disabled Telnet.

Severity

Info

Serviceable

No

Automatically notify support

No

Alert Category

none

SNMP Trap ID

CIM Information

Prefix: IMM ID: 0087

User Response

Information only; no action is required.

- **40000058-00000000 : DNS servers set by user [arg1]: UseAdditionalServers=[arg2], PreferredDNStype=[arg3], IPv4Server1=[arg4], IPv4Server2=[arg5], IPv4Server3=[arg6], IPv6Server1=[arg7], IPv6Server2=[arg8], IPv6Server3=[arg9].**

The specified user has configured the DNS servers.

Severity

Info

Serviceable

No

Automatically notify support

No

Alert Category

none

SNMP Trap ID

CIM Information

Prefix: IMM ID: 0088

User Response

Information only; no action is required.

- **40000059-00000000 : LAN over USB [arg1] by user [arg2].**

A user configured USB-LAN.

Severity

Info

Serviceable

No

Automatically notify support

No

Alert Category

none

SNMP Trap ID**CIM Information**

Prefix: IMM ID: 0089

User Response

Information only; no action is required.

- **4000005a-00000000 : LAN over USB Port Forwarding set by user [arg1]: ExternalPort=[arg2], USB-LAN port=[arg3].**

A user configured USB-LAN port forwarding.

Severity

Info

Serviceable

No

Automatically notify support

No

Alert Category

none

SNMP Trap ID**CIM Information**

Prefix: IMM ID: 0090

User Response

Information only; no action is required.

- **4000005b-00000000 : Secure Web services (HTTPS) [arg1] by user [arg2].**

A user enables or disables Secure web services.

Severity

Info

Serviceable

No

Automatically notify support

No

Alert Category

none

SNMP Trap ID

CIM Information

Prefix: IMM ID: 0091

User Response

Information only; no action is required.

- **4000005c-00000000 : Secure CIM/XML(HTTPS) [arg1] by user [arg2].**

The secure CIM-XML port has been enabled or disabled.

Severity

Info

Serviceable

No

Automatically notify support

No

Alert Category

none

SNMP Trap ID

CIM Information

Prefix: IMM ID: 0092

User Response

Information only; no action is required.

- **4000005d-00000000 : Secure LDAP [arg1] by user [arg2].**

A user enables or disables Secure LDAP services.

Severity

Info

Serviceable

No

Automatically notify support

No

Alert Category

none

SNMP Trap ID

CIM Information

Prefix: IMM ID: 0093

User Response

Information only; no action is required.

- **4000005e-00000000 : SSH [arg1] by user [arg2].**

The specified user has enabled or disabled the Secure Shell (SSH) service.

Severity

Info

Serviceable

No

Automatically notify support

No

Alert Category

none

SNMP Trap ID

CIM Information

Prefix: IMM ID: 0094

User Response

Information only; no action is required.

- **4000005f-00000000 : Server timeouts set by user [arg1]: EnableOSWatchdog=[arg2], OSWatchdogTimeout=[arg3], EnableLoaderWatchdog=[arg4], LoaderTimeout=[arg5].**

A user configures Server Timeouts.

Severity

Info

Serviceable

No

Automatically notify support

No

Alert Category

none

SNMP Trap ID

CIM Information

Prefix: IMM ID: 0095

User Response

Information only; no action is required.

- **40000060-00000000 : License key for [arg1] added by user [arg2].**

A Integrated Management Module license that allows access to the specified feature was added to the system.

Severity

Info

Serviceable

No

Automatically notify support

No

Alert Category

none

SNMP Trap ID**CIM Information**

Prefix: IMM ID: 0096

User Response

Information only; no action is required.

- **40000061-00000000 : License key for [arg1] removed by user [arg2].**

The specified user has removed an Integrated Management Module license. Access to the specified feature is no longer allowed.

Severity

Info

Serviceable

No

Automatically notify support

No

Alert Category

none

SNMP Trap ID**CIM Information**

Prefix: IMM ID: 0097

User Response

Information only; no action is required.

- **40000062-00000000 : Global Login General Settings set by user [arg1]: AuthenticationMethod=[arg2], LockoutPeriod=[arg3], SessionTimeout=[arg4].**

A user changes the Global Login General Settings.

Severity

Info

Serviceable

No

Automatically notify support

No

Alert Category

none

SNMP Trap ID**CIM Information**

Prefix: IMM ID: 0098

User Response

Information only; no action is required.

- **40000063-00000000 : Global Login Account Security set by user**
[arg1]: PasswordRequired=[arg2], PasswordExpirationPeriod=[arg3],
MinimumPasswordReuseCycle=[arg4], MinimumPasswordLength=[arg5],
MinimumPasswordChangeInterval=[arg6], MaxmumLoginFailures=[arg7],
LockoutAfterMaxFailures=[arg8], MinimumDifferentCharacters=[arg9], DefaultIDExpired=[arg10],
ChangePasswordFirstAccess=[arg11].

A user changes the Global Login Account Security Settings to Legacy.

Severity

Info

Serviceable

No

Automatically notify support

No

Alert Category

none

SNMP Trap ID**CIM Information**

Prefix: IMM ID: 0099

User Response

Information only; no action is required.

- **40000064-00000000 : User [arg1] created.**

A user account has been created.

Severity

Info

Serviceable

No

Automatically notify support

No

Alert Category

none

SNMP Trap ID

CIM Information

Prefix: IMM ID: 0100

User Response

Information only; no action is required.

- **40000065-00000000 : User [arg1] removed.**

A user account has been removed.

Severity

Info

Serviceable

No

Automatically notify support

No

Alert Category

none

SNMP Trap ID

CIM Information

Prefix: IMM ID: 0101

User Response

Information only; no action is required.

- **40000066-00000000 : User [arg1] password modified.**

The password for the specified user account has been changed.

Severity

Info

Serviceable

No

Automatically notify support

No

Alert Category

none

SNMP Trap ID

CIM Information

Prefix: IMM ID: 0102

User Response

Information only; no action is required.

- **40000067-00000000 : User [arg1] role set to [arg2].**

A user account role assigned.

Severity

Info

Serviceable

No

Automatically notify support

No

Alert Category

none

SNMP Trap ID**CIM Information**

Prefix: IMM ID: 0103

User Response

Information only; no action is required.

- **40000068-00000000 : User [arg1] custom privileges set: [arg2].**

User account privileges assigned.

Severity

Info

Serviceable

No

Automatically notify support

No

Alert Category

none

SNMP Trap ID**CIM Information**

Prefix: IMM ID: 0104

User Response

Information only; no action is required.

- **40000069-00000000 : User [arg1] for SNMPv3 set: AuthenticationProtocol=[arg2], PrivacyProtocol=[arg3], AccessType=[arg4], HostforTraps=[arg5].**

User account SNMPv3 settings changed.

Severity

Info

Serviceable

No

Automatically notify support

No

Alert Category

none

SNMP Trap ID

CIM Information

Prefix: IMM ID: 0105

User Response

Information only; no action is required.

- **4000006a-00000000 : SSH Client key added for user [arg1].**

User locally defined an SSH Client key.

Severity

Info

Serviceable

No

Automatically notify support

No

Alert Category

none

SNMP Trap ID

CIM Information

Prefix: IMM ID: 0106

User Response

Information only; no action is required.

- **4000006b-00000000 : SSH Client key imported for user [arg1] from [arg2].**

User imported an SSH Client key.

Severity

Info

Serviceable

No

Automatically notify support

No

Alert Category

none

SNMP Trap ID

CIM Information

Prefix: IMM ID: 0107

User Response

Information only; no action is required.

- **4000006c-00000000 : SSH Client key removed from user [arg1].**

User removed an SSH Client key.

Severity

Info

Serviceable

No

Automatically notify support

No

Alert Category

none

SNMP Trap ID**CIM Information**

Prefix: IMM ID: 0108

User Response

Information only; no action is required.

- **4000006d-00000000 : Management Controller [arg1]: Configuration saved to a file by user [arg2].**

A user saved a Management Controller configuration to a file.

Severity

Info

Serviceable

No

Automatically notify support

No

Alert Category

none

SNMP Trap ID**CIM Information**

Prefix: IMM ID: 0109

User Response

Information only; no action is required.

- **4000006e-00000000 : Alert Configuration Global Event Notification set by user [arg1]: RetryLimit=[arg2], RetryInterval=[arg3], EntryInterval=[arg4].**

A user changed the Global Event Notification settings.

Severity

Info

Serviceable

No

Automatically notify support

No

Alert Category

none

SNMP Trap ID

CIM Information

Prefix: IMM ID: 0110

User Response

Information only; no action is required.

- **4000006f-00000000 : Alert Recipient Number [arg1] updated: Name=[arg2], DeliveryMethod=[arg3], Address=[arg4], IncludeLog=[arg5], Enabled=[arg6], EnabledAlerts=[arg7], AllowedFilters=[arg8].**

The specified user has changed or reset the remote alert recipient configuration.

Severity

Info

Serviceable

No

Automatically notify support

No

Alert Category

none

SNMP Trap ID

CIM Information

Prefix: IMM ID: 0111

User Response

Information only; no action is required.

- **40000070-00000000 : SNMP Traps enabled by user [arg1]: EnabledAlerts=[arg2], AllowedFilters=[arg3] .**

The specified user has enabled Simple Network Management Protocol (SNMP) traps.

Severity

Info

Serviceable

No

Automatically notify support

No

Alert Category

none

SNMP Trap ID

CIM Information

Prefix: IMM ID: 0112

User Response

Information only; no action is required.

- **40000071-00000000 : The power cap value changed from [arg1] watts to [arg2] watts by user [arg3].**
The power capping level has been changed.

Severity

Info

Serviceable

No

Automatically notify support

No

Alert Category

none

SNMP Trap ID

CIM Information

Prefix: IMM ID: 0113

User Response

Information only; no action is required.

- **40000072-00000000 : The minimum power cap value changed from [arg1] watts to [arg2] watts.**
The minimum power cap value has been changed.

Severity

Info

Serviceable

No

Automatically notify support

No

Alert Category

none

SNMP Trap ID

CIM Information

Prefix: IMM ID: 0114

User Response

Information only; no action is required.

- **40000073-00000000 : The maximum power cap value changed from [arg1] watts to [arg2] watts.**

The maximum power cap value has been changed.

Severity

Info

Serviceable

No

Automatically notify support

No

Alert Category

none

SNMP Trap ID

CIM Information

Prefix: IMM ID: 0115

User Response

Information only; no action is required.

- **40000074-00000000 : The soft minimum power cap value changed from [arg1] watts to [arg2] watts.**

The soft minimum power cap value has been changed.

Severity

Info

Serviceable

No

Automatically notify support

No

Alert Category

none

SNMP Trap ID

CIM Information

Prefix: IMM ID: 0116

User Response

Information only; no action is required.

- **40000075-00000000 : The measured power value exceeded the power cap value.**

The measured power value has exceeded the power cap value.

Severity

Warning

Serviceable

No

Automatically notify support

No

Alert Category

Warning - Power

SNMP Trap ID

164

CIM Information

Prefix: IMM ID: 0117

User Response

- Make sure IMM firmware is at the latest level.
- Raise the system power cap value or adjust the system workload to be less than the currently applied power cap.

Related links

- "Updating firmware and device drivers" on page 21
- IBM Flex System and IBM PureFlex Firmware Updates Best Practices

- **40000076-00000000 : The new minimum power cap value exceeded the power cap value.**

The new minimum power cap value has exceeded the power cap value.

Severity

Warning

Serviceable

No

Automatically notify support

No

Alert Category

Warning - Power

SNMP Trap ID

164

CIM Information

Prefix: IMM ID: 0118

User Response

User may need to adjust the power cap value to be greater or equal to the minimum power cap.

- **40000077-00000000 : Power capping was activated by user [arg1].**

The power capping control has been enabled.

Severity

Info

Serviceable

No

Automatically notify support

No

Alert Category

none

SNMP Trap ID

CIM Information

Prefix: IMM ID: 0119

User Response

Information only; no action is required.

- **40000078-00000000 : Power capping was deactivated by user [arg1].**

The power capping control has been disabled.

Severity

Info

Serviceable

No

Automatically notify support

No

Alert Category

none

SNMP Trap ID

CIM Information

Prefix: IMM ID: 0120

User Response

Information only; no action is required.

- **40000079-00000000 : Static Power Savings mode has been turned on by user [arg1].**

Static Power Savings mode turned on by user.

Severity

Info

Serviceable

No

Automatically notify support

No

Alert Category

none

SNMP Trap ID

CIM Information

Prefix: IMM ID: 0121

User Response

Information only; no action is required.

- **4000007a-00000000 : Static Power Savings mode has been turned off by user [arg1].**

Static Power Savings mode turned off by user.

Severity

Info

Serviceable

No

Automatically notify support

No

Alert Category

none

SNMP Trap ID

CIM Information

Prefix: IMM ID: 0122

User Response

Information only; no action is required.

- **4000007b-00000000 : Dynamic Power Savings mode has been turned on by user [arg1].**

Dynamic Power Savings mode turned on by user.

Severity

Info

Serviceable

No

Automatically notify support

No

Alert Category

none

SNMP Trap ID

CIM Information

Prefix: IMM ID: 0123

User Response

Information only; no action is required.

- **4000007c-00000000 : Dynamic Power Savings mode has been turned off by user [arg1].**

Dynamic Power Savings mode turned off by user.

Severity

Info

Serviceable

No

Automatically notify support

No

Alert Category

none

SNMP Trap ID**CIM Information**

Prefix: IMM ID: 0124

User Response

Information only; no action is required.

- **4000007d-00000000 : Power cap and external throttling occurred.**

Power cap and external throttling has occurred.

Severity

Info

Serviceable

No

Automatically notify support

No

Alert Category

none

SNMP Trap ID**CIM Information**

Prefix: IMM ID: 0125

User Response

Information only; no action is required.

- **4000007e-00000000 : External throttling occurred .**

External throttling has occurred.

Severity

Info

Serviceable

No

Automatically notify support

No

Alert Category

none

SNMP Trap ID

CIM Information

Prefix: IMM ID: 0126

User Response

Information only; no action is required.

- **4000007f-00000000 : Power cap throttling occurred.**

Power cap throttling has occurred.

Severity

Info

Serviceable

No

Automatically notify support

No

Alert Category

none

SNMP Trap ID

CIM Information

Prefix: IMM ID: 0127

User Response

Information only; no action is required.

- **40000080-00000000 : Remote Control session started by user [arg1] in [arg2] mode.**

Remote Control session started.

Severity

Info

Serviceable

No

Automatically notify support

No

Alert Category

none

SNMP Trap ID

CIM Information

Prefix: IMM ID: 0128

User Response

Information only; no action is required.

- **40000081-00000000 : PXE boot requested by user [arg1].**

PXE boot requested.

Severity

Info

Serviceable

No

Automatically notify support

No

Alert Category

none

SNMP Trap ID

CIM Information

Prefix: IMM ID: 0129

User Response

Information only; no action is required.

- **40000082-00000000 : The measured power value has returned below the power cap value.**

The measured power value has returned below the power cap value.

Severity

Info

Serviceable

No

Automatically notify support

No

Alert Category

Warning - Power

SNMP Trap ID

164

CIM Information

Prefix: IMM ID: 0130

User Response

Information only; no action is required.

- **40000083-00000000 : The new minimum power cap value has returned below the power cap value.**

The new minimum power cap value has returned below the power cap value.

Severity

Info

Serviceable

No

Automatically notify support

No

Alert Category

Warning - Power

SNMP Trap ID

164

CIM Information

Prefix: IMM ID: 0131

User Response

Information only; no action is required.

- **40000084-00000000 : IMM firmware mismatch between nodes [arg1] and [arg2]. Please attempt to flash the IMM firmware to the same level on all nodes.**

A mismatch of IMM firmware between nodes has been detected.

Severity

Error

Serviceable

No

Automatically notify support

No

Alert Category

System - Other

SNMP Trap ID

22

CIM Information

Prefix: IMM ID: 0132

User Response

Attempt to update the IMM firmware to the same level on all nodes.

Related links

- "Updating firmware and device drivers" on page 21
- IBM Flex System and IBM PureFlex Firmware Updates Best Practices

- **40000085-00000000 : FPGA firmware mismatch between nodes [arg1] and [arg2]. Please attempt to flash the FPGA firmware to the same level on all nodes.**

A mismatch of FPGA firmware between nodes has been detected.

Severity

Error

Serviceable

No

Automatically notify support

No

Alert Category

System - Other

SNMP Trap ID

22

CIM Information**Prefix: IMM ID:** 0133**User Response**

Attempt to update the FPGA firmware to the same level on all nodes.

Related links

- "Updating firmware and device drivers" on page 21
- IBM Flex System and IBM PureFlex Firmware Updates Best Practices

- **40000086-00000000 : Test Call Home Generated by user [arg1].**

The specified user has generated a test automatic support notification.

Severity

Info

Serviceable

No

Automatically notify support

Yes

Alert Category

none

SNMP Trap ID**CIM Information****Prefix: IMM ID:** 0134**User Response**

Information only; no action is required.

- **40000087-00000000 : Manual Call Home by user [arg1]: [arg2].**

The specified user has submitted a service request.

Severity

Info

Serviceable

No

Automatically notify support

Yes

Alert Category

none

SNMP Trap ID**CIM Information****Prefix: IMM ID:** 0135

User Response

IBM Support will address the problem.

- **40000088-00000000 : Management Controller [arg1]: Configuration restoration from a file by user [arg2] completed.**

The specified user has successfully restored the configuration of the specified management controller from a file.

Severity

Info

Serviceable

No

Automatically notify support

No

Alert Category

none

SNMP Trap ID**CIM Information**

Prefix: IMM ID: 0136

User Response

Information only; no action is required.

- **40000089-00000000 : Management Controller [arg1]: Configuration restoration from a file by user [arg2] failed to complete.**

Restoration of the configuration of the specified management controller from a file by the specified user has not been completed.

Severity

Error

Serviceable

No

Automatically notify support

No

Alert Category

System - Other

SNMP Trap ID

22

CIM Information

Prefix: IMM ID: 0137

User Response

1. Turn off the server and disconnect it from the power source. You must disconnect the server from ac power to reset the IMM.
2. After 45 seconds, reconnect the server to the power source and turn on the server.

3. Retry the operation

- **4000008a-00000000 : Management Controller [arg1]: Configuration restoration from a file by user [arg2] failed to start.**

Restoration of the configuration of the specified management controller from a file by the specified user has failed to start.

Severity

Error

Serviceable

No

Automatically notify support

No

Alert Category

System - Other

SNMP Trap ID

22

CIM Information

Prefix: IMM ID: 0138

User Response

1. Turn off the server and disconnect it from the power source. You must disconnect the server from ac power to reset the IMM.
2. After 45 seconds, reconnect the server to the power source and turn on the server.
3. Retry the operation

- **4000008b-00000000 : One or more of the Storage Management IP addresses has changed.**

One or more of the Storage Management IP addresses has changed.

Severity

Info

Serviceable

No

Automatically notify support

No

Alert Category

System - IMM Network event

SNMP Trap ID

37

CIM Information

Prefix: IMM ID: 0139

User Response

Information only; no action is required.

- **4000008c-00000000 : Security: Userid: [arg1] had [arg2] login failures from a CIM client at IP address [arg3].**

A user has exceeded the maximum allowed number of unsuccessful login attempts from a CIM client and has been prevented from logging in for the lockout period.

Severity

Warning

Serviceable

No

Automatically notify support

No

Alert Category

System - Remote Login

SNMP Trap ID

30

CIM Information

Prefix: IMM ID: 0140

User Response

Complete the following steps until the problem is solved:

1. Make sure that the correct login ID and password are being used.
2. Have the system administrator reset the login ID or password.

- **4000008d-00000000 : Remote access attempt failed. Invalid userid or password received. Userid is [arg1] from a CIM client at IP address [arg2].**

A user has attempted to log in from a CIM client by using an invalid login ID or password.

Severity

Info

Serviceable

No

Automatically notify support

No

Alert Category

System - Remote Login

SNMP Trap ID

30

CIM Information

Prefix: IMM ID: 0141

User Response

Make sure that the correct login ID and password are being used.

- **4000008e-00000000 : Device [arg1] VPD is not valid.**

The VPD for a device is invalid

Severity

Warning

Serviceable

No

Automatically notify support

No

Alert Category

System - Other

SNMP Trap ID

22

CIM Information

Prefix: IMM ID: 0142

User Response

The device with invalid VPD data should be replaced.

- **4000008f-00000000 : The bare metal connection process has been started.**

Bare Metal Connection process has been started

Severity

Info

Serviceable

No

Automatically notify support

No

Alert Category

System - Other

SNMP Trap ID

22

CIM Information

Prefix: IMM ID: 0143

User Response

Information only; no action is required.

- **40000090-00000000 : The bare metal update application reports a status of [arg1].**

Bare Metal Update Application Status

Severity

Info

Serviceable

No

Automatically notify support

No

Alert Category

System - Other

SNMP Trap ID

22

CIM Information

Prefix: IMM ID: 0144

User Response

Information only; no action is required.

- **40000091-00000000 : User [arg1] has terminated an active console session.**

A user has terminated an active console session.

Severity

Info

Serviceable

No

Automatically notify support

No

Alert Category

none

SNMP Trap ID**CIM Information**

Prefix: IMM ID: 0145

User Response

Information only; no action is required.

- **40000092-00000000 : TKLM servers set by user [arg1]: TKLMServer1=[arg2] Port=[arg3], TKLMServer2=[arg4] Port=[arg5], TKLMServer3=[arg6] Port=[arg7], TKLMServer4=[arg8] Port=[arg9].**

A user configured the TKLM servers.

Severity

Info

Serviceable

No

Automatically notify support

No

Alert Category

none

SNMP Trap ID**CIM Information**

Prefix: IMM ID: 0146

User Response

Information only; no action is required.

- **40000093-00000000 : TKLM servers device group set by user [arg1]: TKLMServerDeviceGroup=[arg2] .**

A user configured the TKLM device group.

Severity

Info

Serviceable

No

Automatically notify support

No

Alert Category

none

SNMP Trap ID

CIM Information

Prefix: IMM ID: 0147

User Response

Information only; no action is required.

- **40000094-00000000 : User [arg1] has generated a new encryption key pair and installed a self-signed certificate for the TKLM client.**

User generated a new encryption key pair and installed a self-signed certificate for the TKLM client.

Severity

Info

Serviceable

No

Automatically notify support

No

Alert Category

none

SNMP Trap ID

CIM Information

Prefix: IMM ID: 0148

User Response

Information only; no action is required.

- **40000095-00000000 : User [arg1] has generated a new encryption key and certificate signing request for the TKLM client.**

User generated a new encryption key and certificate signing request for the TKLM client.

Severity

Info

Serviceable

No

Automatically notify support

No

Alert Category

none

SNMP Trap ID

CIM Information

Prefix: IMM ID: 0149

User Response

Information only; no action is required.

- **40000096-00000000 : User [arg1] has imported a signed certificate for the TKLM client from [arg2].**
User imported a signed certificate for the TKLM client.

Severity

Info

Serviceable

No

Automatically notify support

No

Alert Category

none

SNMP Trap ID

CIM Information

Prefix: IMM ID: 0150

User Response

Information only; no action is required.

- **40000097-00000000 : User [arg1] has imported a server certificate for the TKLM server.**
User imported a server certificate for the TKLM Server.

Severity

Info

Serviceable

No

Automatically notify support

No

Alert Category

none

SNMP Trap ID

CIM Information

Prefix: IMM ID: 0151

User Response

Information only; no action is required.

- **40000098-00000000 : The UEFI Definitions have been changed.**

UEFI Definitions change has been detected.

Severity

Info

Serviceable

No

Automatically notify support

No

Alert Category

none

SNMP Trap ID**CIM Information**

Prefix: IMM ID: 0152

User Response

Information only; no action is required.

- **40000099-00000000 : Security: Userid: [arg1] had [arg2] login failures from IPMI client at IP address [arg3].**

A user was not able to log in to a Management Controller from IPMI.

Severity

Info

Serviceable

No

Automatically notify support

No

Alert Category

System - Remote Login

SNMP Trap ID

30

CIM Information

Prefix: IMM ID: 0153

User Response

Information only; no action is required.

- **4000009a-00000000 : Security: Userid: [arg1] had [arg2] login failures from SNMP client at IP address [arg3].**

A user was not able to access a Management Controller from SNMP.

Severity

Info

Serviceable

No

Automatically notify support

No

Alert Category

System - Remote Login

SNMP Trap ID

30

CIM Information

Prefix: IMM ID: 0154

User Response

Information only; no action is required.

- **4000009b-00000000 : Security: Userid: [arg1] had [arg2] login failures from IPMI serial client.**

A user was not able to log in to a Management Controller from an IPMI serial client.

Severity

Info

Serviceable

No

Automatically notify support

No

Alert Category

System - Remote Login

SNMP Trap ID

30

CIM Information

Prefix: IMM ID: 0155

User Response

Information only; no action is required.

- **4000009c-00000000 : Remote Login Successful. Login ID: [arg1] from [arg2] serial interface.**

A user successfully logged in to a Management Controller.

Severity

Info

Serviceable

No

Automatically notify support

No

Alert Category

System - Remote Login

SNMP Trap ID

30

CIM Information

Prefix: IMM ID: 0156

User Response

Information only; no action is required.

- **4000009d-00000000 : Login ID: [arg1] from [arg2] at IP address [arg3] has logged off.**

A user logged off of a Management Controller.

Severity

Info

Serviceable

No

Automatically notify support

No

Alert Category

System - Remote Login

SNMP Trap ID

30

CIM Information

Prefix: IMM ID: 0157

User Response

Information only; no action is required.

- **4000009e-00000000 : Login ID: [arg1] from [arg2] at IP address [arg3] has been logged off.**

A user has been logged off of a Management Controller.

Severity

Info

Serviceable

No

Automatically notify support

No

Alert Category

System - Remote Login

SNMP Trap ID

30

CIM Information

Prefix: IMM ID: 0158

User Response

Information only; no action is required.

- **4000009f-00000000 : User [arg1] has initiated a TKLM Server Connection Test to check connectivity to server [arg2].**

User initiated a TKLM Server Connection test.

Severity

Info

Serviceable

No

Automatically notify support

No

Alert Category

none

SNMP Trap ID

CIM Information

Prefix: IMM ID: 0159

User Response

Information only; no action is required.

- **400000a0-00000000 : User [arg1] has initiated an SMTP Server Connection Test.**

User initiated an SMTP Server Connection test.

Severity

Info

Serviceable

No

Automatically notify support

No

Alert Category

none

SNMP Trap ID

CIM Information

Prefix: IMM ID: 0160

User Response

Information only; no action is required.

- **400000a1-00000000 : UEFI Reported: [arg1].**

UEFI audit event logged.

Severity

Info

Serviceable

No

Automatically notify support

No

Alert Category

none

SNMP Trap ID

CIM Information

Prefix: IMM ID: 0161

User Response

Information only; no action is required.

- **400000a2-00000000 : User [arg1] has [arg2] file [arg3] from [arg4].**

User has mounted/unmounted file from URL or server.

Severity

Info

Serviceable

No

Automatically notify support

No

Alert Category

System - Other

SNMP Trap ID

22

CIM Information

Prefix: IMM ID: 0162

User Response

Information only; no action is required.

- **400000a3-00000000 : User [arg1] has set the SMTP Server reverse-path to [arg2].**

User set SMTP Server reverse-path address.

Severity

Info

Serviceable

No

Automatically notify support

No

Alert Category

System - Other

SNMP Trap ID

22

CIM Information

Prefix: IMM ID: 0163

User Response

Information only; no action is required.

- **400000a4-00000000 : User [arg1] has removed a certificate.**

User removed certificate.

Severity

Info

Serviceable

No

Automatically notify support

No

Alert Category

System - Other

SNMP Trap ID

22

CIM Information

Prefix: IMM ID: 0164

User Response

Information only; no action is required.

- **400000a5-00000000 : A certificate has been revoked .**

A certificate has been revoked.

Severity

Info

Serviceable

No

Automatically notify support

No

Alert Category

System - Other

SNMP Trap ID

22

CIM Information

Prefix: IMM ID: 0165

User Response

Install a new certificate.

- **400000a6-00000000 : The server was restarted for an unknown reason.**

The server was restarted for an unknown reason.

Severity

Info

Serviceable

No

Automatically notify support

No

Alert Category

System - Other

SNMP Trap ID

22

CIM Information

Prefix: IMM ID: 0166

User Response

Information only; no action is required.

- **400000a7-00000000 : The server is restarted by chassis control command.**

Server is restarted by chassis control command.

Severity

Info

Serviceable

No

Automatically notify support

No

Alert Category

System - Other

SNMP Trap ID

22

CIM Information

Prefix: IMM ID: 0167

User Response

Information only; no action is required.

- **400000a8-00000000 : The server was reset via pushbutton.**

Server was reset via pushbutton.

Severity

Info

Serviceable

No

Automatically notify support

No

Alert Category

System - Other

SNMP Trap ID

22

CIM Information

Prefix: IMM ID: 0168

User Response

Information only; no action is required.

- **40000a9-00000000 : The server was powered-up via power pushbutton.**

Server was powered-up via power pushbutton.

Severity

Info

Serviceable

No

Automatically notify support

No

Alert Category

System - Other

SNMP Trap ID

22

CIM Information

Prefix: IMM ID: 0169

User Response

Information only; no action is required.

- **40000aa-00000000 : The server was restarted when the watchdog expired..**

Server was restarted when the watchdog expired.

Severity

Info

Serviceable

No

Automatically notify support

No

Alert Category

System - Other

SNMP Trap ID

22

CIM Information

Prefix: IMM ID: 0170

User Response

Information only; no action is required.

- **40000ab-00000000 : The server was restarted for OEM reason.**

Server was restarted for OEM reason.

Severity

Info

Serviceable

No

Automatically notify support

No

Alert Category

System - Other

SNMP Trap ID

22

CIM Information

Prefix: IMM ID: 0171

User Response

Information only; no action is required.

- **400000ac-00000000 : The server was automatically powered on because the power restore policy is set to always restore..**

Server was automatically powered on because the power restore policy is set to always restore.

Severity

Info

Serviceable

No

Automatically notify support

No

Alert Category

System - Other

SNMP Trap ID

22

CIM Information

Prefix: IMM ID: 0172

User Response

Information only; no action is required.

- **400000ad-00000000 : The server was automatically powered on because the power restore policy is set to restore previous power state..**

Server was automatically powered on because the power restore policy is set to restore previous power state.

Severity

Info

Serviceable

No

Automatically notify support

No

Alert Category

System - Other

SNMP Trap ID

22

CIM Information

Prefix: IMM ID: 0173

User Response

Information only; no action is required.

- **400000ae-00000000 : The server was reset via Platform Event Filter.**

Server was reset via Platform Event Filter.

Severity

Info

Serviceable

No

Automatically notify support

No

Alert Category

System - Other

SNMP Trap ID

22

CIM Information

Prefix: IMM ID: 0174

User Response

Information only; no action is required.

- **400000af-00000000 : The server was power-cycled via Platform Event Filter.**

Server was power-cycled via Platform Event Filter.

Severity

Info

Serviceable

No

Automatically notify support

No

Alert Category

System - Other

SNMP Trap ID

22

CIM Information

Prefix: IMM ID: 0175

User Response

Information only; no action is required.

- **400000b0-00000000 : The server was soft reset.**

Server was soft reset.

Severity

Info

Serviceable

No

Automatically notify support

No

Alert Category

System - Other

SNMP Trap ID

22

CIM Information

Prefix: IMM ID: 0176

User Response

Information only; no action is required.

- **400000b1-00000000 : The server was powered up via Real Time Clock (scheduled power on).**

Server was powered up via Real Time Clock (scheduled power on).

Severity

Info

Serviceable

No

Automatically notify support

No

Alert Category

System - Other

SNMP Trap ID

22

CIM Information

Prefix: IMM ID: 0177

User Response

Information only; no action is required.

- **400000b2-00000000 : The server was powered off for an unknown reason.**

Server was powered off for an unknown reason.

Severity

Info

Serviceable

No

Automatically notify support

No

Alert Category

System - Other

SNMP Trap ID

22

CIM Information

Prefix: IMM ID: 0178

User Response

Information only; no action is required.

- **400000b3-00000000 : The server was powered off by chassis control command.**

Server was powered off by chassis control command.

Severity

Info

Serviceable

No

Automatically notify support

No

Alert Category

System - Other

SNMP Trap ID

22

CIM Information

Prefix: IMM ID: 0179

User Response

Information only; no action is required.

- **400000b4-00000000 : The server was powered off via pushbutton.**

Server was powered off via pushbutton.

Severity

Info

Serviceable

No

Automatically notify support

No

Alert Category

System - Other

SNMP Trap ID

22

CIM Information

Prefix: IMM ID: 0180

User Response

Information only; no action is required.

- **400000b5-00000000 : The server was powered off when the watchdog expired.**

Server was powered off when the watchdog expired.

Severity

Info

Serviceable

No

Automatically notify support

No

Alert Category

System - Other

SNMP Trap ID

22

CIM Information

Prefix: IMM ID: 0181

User Response

Information only; no action is required.

- **400000b6-00000000 : The server stayed powered off because the power restore policy is set to always restore..**

Server stayed powered off because the power restore policy is set to always restore.

Severity

Info

Serviceable

No

Automatically notify support

No

Alert Category

System - Other

SNMP Trap ID

22

CIM Information

Prefix: IMM ID: 0182

User Response

Information only; no action is required.

- **400000b7-00000000 : The server stayed powered off because the power restore policy is set to restore previous power state..**

Server stayed powered off because the power restore policy is set to restore previous power state.

Severity

Info

Serviceable

No

Automatically notify support

No

Alert Category

System - Other

SNMP Trap ID

22

CIM Information**Prefix: IMM ID: 0183****User Response**

Information only; no action is required.

- **400000b8-00000000 : The server was powered off via Platform Event Filter.**

Server was power off via Platform Event Filter.

Severity

Info

Serviceable

No

Automatically notify support

No

Alert Category

System - Other

SNMP Trap ID

22

CIM Information**Prefix: IMM ID: 0184****User Response**

Information only; no action is required.

- **400000b9-00000000 : The server was powered off via Real Time Clock (scheduled power off).**

Server was powered up via Real Time Clock (scheduled power off).

Severity

Info

Serviceable

No

Automatically notify support

No

Alert Category

System - Other

SNMP Trap ID

22

CIM Information

Prefix: IMM ID: 0185

User Response

Information only; no action is required.

- **400000ba-00000000 : Management Controller [arg1] reset was initiated due to Power-On-Reset.**
Management Controller reset was initiated due to Power-On-Reset.

Severity

Info

Serviceable

No

Automatically notify support

No

Alert Category

System - Other

SNMP Trap ID

22

CIM Information

Prefix: IMM ID: 0186

User Response

Information only; no action is required.

- **400000bb-00000000 : Management Controller [arg1] reset was initiated by PRESET.**
Management Controller reset was initiated by PRESET.

Severity

Info

Serviceable

No

Automatically notify support

No

Alert Category

System - Other

SNMP Trap ID

22

CIM Information

Prefix: IMM ID: 0187

User Response

Information only; no action is required.

- **400000bc-00000000 : Management Controller [arg1] reset was initiated by CMM.**

Management Controller reset was initiated by CMM.

Severity

Info

Serviceable

No

Automatically notify support

No

Alert Category

System - Other

SNMP Trap ID

22

CIM Information

Prefix: IMM ID: 0188

User Response

Information only; no action is required.

- **400000bd-00000000 : Management Controller [arg1] reset was initiated by IMM firmware.**

Management Controller reset was initiated by IMM firmware.

Severity

Info

Serviceable

No

Automatically notify support

No

Alert Category

System - Other

SNMP Trap ID

22

CIM Information

Prefix: IMM ID: 0189

User Response

Information only; no action is required.

- **400000be-00000000 : The [arg1] certificate is expired and has been removed.**

Expired certificate has been removed.

Severity

Info

Serviceable

No

Automatically notify support

No

Alert Category

System - Other

SNMP Trap ID

22

CIM Information

Prefix: IMM ID: 0190

User Response

Install a new certificate.

- **400000bf-00000000 : Operating System status has changed to [arg1].**

Operating System status change.

Severity

Info

Serviceable

No

Automatically notify support

No

Alert Category

System - Other

SNMP Trap ID

22

CIM Information

Prefix: IMM ID: 0191

User Response

Information only; no action is required.

- **400000c0-00000000 : Inventory data collecting and processing complete for [arg1].**

Inventory data collecting and processing complete.

Severity

Info

Serviceable

No

Automatically notify support

No

Alert Category

System - Other

SNMP Trap ID

22

CIM Information

Prefix: IMM ID: 0192

User Response

Information only; no action is required.

- **80010202-0701ffff : Numeric sensor [NumericSensorElementName] going low (lower critical) has asserted.**

A voltage has dropped below its specified threshold.

Severity

Error

Serviceable

Yes

Automatically notify support

Yes

Alert Category

Critical - Voltage

SNMP Trap ID

1

CIM Information

Prefix: PLAT ID: 0480

User Response

Use one of the following procedures:

- If the specified sensor is SysBrd 3.3V or SysBrd 5V, replace the system board.
- If the specified sensor is SysBrd 12V, check the Chassis Management Module or Flex System Manager event log for power-supply-related issues, and resolve those issues. If the problem remains, replace the system board.

Related links

- “Removing and replacing the system-board assembly” on page 943

- **80010202-2801ffff : Sensor Planar VBAT has detected low battery voltage.**

The CMOS battery voltage has dropped below its specified threshold.

Severity

Error

Serviceable

Yes

Automatically notify support

No

Alert Category

Critical - Voltage

SNMP Trap ID

1

CIM Information

Prefix: PLAT ID: 0480

User Response

Replace the CMOS battery.

Related links

- “Removing the CMOS battery” on page 893
- “Installing the CMOS battery” on page 894

- **80010701-0400ffff : Numeric sensor Drive 0 Temp going high (upper non-critical) has asserted.**

Drive 0 temperature has exceeded its specified threshold.

Severity

Warning

Serviceable

Yes

Automatically notify support

No

Alert Category

Warning - Temperature

SNMP Trap ID

12

CIM Information

Prefix: PLAT ID: 0490

User Response

Complete the following steps until the problem is solved:

1. Check the Chassis Management Module or Flex System Manager event log for any fan- or cooling-related issues.
2. Make sure that the airflow at the front and rear of the chassis is not obstructed and that fillers are in place and correctly installed.
3. Make sure that the room temperature is within operating specifications.

- **80010701-0401ffff : Numeric sensor Drive 1 Temp going high (upper non-critical) has asserted.**

Drive 1 temperature has exceeded its specified threshold.

Severity

Warning

Serviceable

Yes

Automatically notify support

No

Alert Category

Warning - Temperature

SNMP Trap ID

12

CIM Information

Prefix: PLAT ID: 0490

User Response

Complete the following steps until the problem is solved:

1. Check the Chassis Management Module or Flex System Manager event log for any fan- or cooling-related issues.
2. Make sure that the airflow at the front and rear of the chassis is not obstructed and that fillers are in place and correctly installed.
3. Make sure that the room temperature is within operating specifications.

- **80010701-0402ffff : Numeric sensor Drive 2 Temp going high (upper non-critical) has asserted.**

Drive 2 temperature has exceeded its specified threshold.

Severity

Warning

Serviceable

Yes

Automatically notify support

No

Alert Category

Warning - Temperature

SNMP Trap ID

12

CIM Information

Prefix: PLAT **ID:** 0490

User Response

Complete the following steps until the problem is solved:

1. Check the Chassis Management Module or Flex System Manager event log for any fan- or cooling-related issues.
2. Make sure that the airflow at the front and rear of the chassis is not obstructed and that fillers are in place and correctly installed.
3. Make sure that the room temperature is within operating specifications.

- **80010701-0403ffff : Numeric sensor Drive 3 Temp going high (upper non-critical) has asserted.**

Drive 3 temperature has exceeded its specified threshold.

Severity

Warning

Serviceable

Yes

Automatically notify support

No

Alert Category

Warning - Temperature

SNMP Trap ID

12

CIM Information

Prefix: PLAT ID: 0490

User Response

Complete the following steps until the problem is solved:

1. Check the Chassis Management Module or Flex System Manager event log for any fan- or cooling-related issues.
2. Make sure that the airflow at the front and rear of the chassis is not obstructed and that fillers are in place and correctly installed.
3. Make sure that the room temperature is within operating specifications.

- **80010701-0404ffff : Numeric sensor Drive 4 Temp going high (upper non-critical) has asserted.**

Drive 4 temperature has exceeded its specified threshold.

Severity

Warning

Serviceable

Yes

Automatically notify support

No

Alert Category

Warning - Temperature

SNMP Trap ID

12

CIM Information

Prefix: PLAT ID: 0490

User Response

Complete the following steps until the problem is solved:

1. Check the Chassis Management Module or Flex System Manager event log for any fan- or cooling-related issues.
2. Make sure that the airflow at the front and rear of the chassis is not obstructed and that fillers are in place and correctly installed.
3. Make sure that the room temperature is within operating specifications.

- **80010701-0405ffff : Numeric sensor Drive 5 Temp going high (upper non-critical) has asserted.**

Drive 5 temperature has exceeded its specified threshold.

Severity

Warning

Serviceable

Yes

Automatically notify support

No

Alert Category

Warning - Temperature

SNMP Trap ID

12

CIM Information**Prefix:** PLAT ID: 0490**User Response**

Complete the following steps until the problem is solved:

1. Check the Chassis Management Module or Flex System Manager event log for any fan- or cooling-related issues.
2. Make sure that the airflow at the front and rear of the chassis is not obstructed and that fillers are in place and correctly installed.
3. Make sure that the room temperature is within operating specifications.

- **80010701-0406ffff : Numeric sensor Drive 6 Temp going high (upper non-critical) has asserted.**

Drive 6 temperature has exceeded its specified threshold.

Severity

Warning

Serviceable

Yes

Automatically notify support

No

Alert Category

Warning - Temperature

SNMP Trap ID

12

CIM Information**Prefix:** PLAT ID: 0490**User Response**

Complete the following steps until the problem is solved:

1. Check the Chassis Management Module or Flex System Manager event log for any fan- or cooling-related issues.
2. Make sure that the airflow at the front and rear of the chassis is not obstructed and that fillers are in place and correctly installed.
3. Make sure that the room temperature is within operating specifications.

- **80010701-0407ffff : Numeric sensor Drive 7 Temp going high (upper non-critical) has asserted.**

Drive 7 temperature has exceeded its specified threshold.

Severity

Warning

Serviceable

Yes

Automatically notify support

No

Alert Category

Warning - Temperature

SNMP Trap ID

12

CIM Information

Prefix: PLAT ID: 0490

User Response

Complete the following steps until the problem is solved:

1. Check the Chassis Management Module or Flex System Manager event log for any fan- or cooling-related issues.
2. Make sure that the airflow at the front and rear of the chassis is not obstructed and that fillers are in place and correctly installed.
3. Make sure that the room temperature is within operating specifications.

- **80010701-2d01ffff : Numeric sensor PCH Temp going high (upper non-critical) has asserted.**

The Platform Controller Hub (PCH) temperature has exceeded its specified threshold.

Severity

Warning

Serviceable

Yes

Automatically notify support

No

Alert Category

Warning - Temperature

SNMP Trap ID

12

CIM Information

Prefix: PLAT ID: 0490

User Response

Complete the following steps until the problem is solved:

1. Check the Chassis Management Module or Flex System Manager event log for any fan- or cooling-related issues.
2. Make sure that the airflow at the front and rear of the chassis is not obstructed and that fillers are in place and correctly installed.
3. Make sure that the room temperature is within operating specifications.

- **80010701-3701ffff : Numeric sensor Inlet Temp going high (upper non-critical) has asserted.**

The inlet temperature has exceeded its specified threshold.

Severity

Warning

Serviceable

Yes

Automatically notify support

No

Alert Category

Warning - Temperature

SNMP Trap ID

12

CIM Information

Prefix: PLAT ID: 0490

User Response

Complete the following steps until the problem is solved:

1. Check the Chassis Management Module or Flex System Manager event log for any fan- or cooling-related issues.
2. Make sure that the airflow at the front and rear of the chassis is not obstructed and that fillers are in place and correctly installed.
3. Make sure that the room temperature is within operating specifications.

- **80010901-3701ffff : Numeric sensor [NumericSensorElementName] going high (upper critical) has asserted.**

The inlet temperature has exceeded its specified threshold. The compute node has attempted a soft shutdown.

Severity

Error

Serviceable

Yes

Automatically notify support

No

Alert Category

Critical - Temperature

SNMP Trap ID

0

CIM Information

Prefix: PLAT ID: 0494

User Response

Complete the following steps until the problem is solved:

1. Check the Chassis Management Module or Flex System Manager event log for any fan- or cooling-related issues.
2. Make sure that the airflow at the front and rear of the chassis is not obstructed and that fillers are in place and correctly installed.
3. Make sure that the room temperature is within operating specifications.

- **80010902-0701ffff : Numeric sensor [NumericSensorElementName] going high (upper critical) has asserted.**

A voltage has exceeded its specified threshold.

Severity

Error

Serviceable

Yes

Automatically notify support

Yes

Alert Category

Critical - Voltage

SNMP Trap ID

1

CIM Information

Prefix: PLAT ID: 0494

User Response

Use one of the following procedures:

- If the specified sensor is Planar 3.3V or Planar 5V, replace the system board.
- If the specified sensor is Planar 12V, check the Chassis Management Module or Flex System Manager event log for power-supply-related issues, and resolve those issues. If the problem remains, replace the system board.

Related links

- "Removing and replacing the system-board assembly" on page 943

- **80010b01-3701ffff : Numeric sensor Inlet Temp going high (upper non-recoverable) has asserted. has asserted.**

The inlet temperature has exceeded its specified threshold. The compute node has initiated a hard shutdown.

Severity

Error

Serviceable

Yes

Automatically notify support

No

Alert Category

Critical - Temperature

SNMP Trap ID

0

CIM Information

Prefix: PLAT ID: 0498

User Response

Complete the following steps until the problem is solved:

1. Check the Chassis Management Module or Flex System Manager event log for any fan- or cooling-related issues.
2. Make sure that the airflow at the front and rear of the chassis is not obstructed and that fillers are in place and correctly installed.
3. Make sure that the room temperature is within operating specifications.

- **80030006-2101ffff : Sensor Sig Verify Fail has deasserted.**

The secure UEFI update has been completed.

Severity

Info

Serviceable

No

Automatically notify support

No

Alert Category

System - Other

SNMP Trap ID

CIM Information

Prefix: PLAT ID: 0509

User Response

Information only; no action is required.

- **8003010e-2581ffff : Sensor Memory Resized has asserted.**

System memory has been resized.

Severity

Info

Serviceable

No

Automatically notify support

No

Alert Category

System - Other

SNMP Trap ID

CIM Information

Prefix: PLAT ID: 0508

User Response

This is a UEFI detected event. The UEFI diagnostic code for this event can be found in the logged IMM message text. Please refer to the UEFI diagnostic code in the "UEFI diagnostic code" section of the Information Center for the appropriate user response.

Related links

- “Finding the UEFI diagnostic code” on page 824

- **8003010f-2101ffff : Sensor [SensorElementName] has asserted.**

IMM Firmware is corrupted.

Severity

Info

Serviceable

No

Automatically notify support

No

Alert Category

System - Other

SNMP Trap ID**CIM Information****Prefix:** PLAT ID: 0508**User Response**

Check the primary build level and update primary build to latest level.

- **80030112-0601ffff : Sensor [SensorElementName] has asserted.**

IMM has entered a system maintenance mode (SMM Mode, SMM Monitor) where the current power state is important.

Severity

Info

Serviceable

No

Automatically notify support

No

Alert Category

System - Other

SNMP Trap ID**CIM Information****Prefix:** PLAT ID: 0508**User Response**

Do not change system power state at this time unless directed to do so by the maintenance action.
[like firmware flashing]

- **8007000d-3030ffff : Sensor [SensorElementName] has transitioned to normal state.**

ROMB volume is functioning normally.

Severity

Info

Serviceable

No

Automatically notify support

No

Alert Category

Warning - Other

SNMP Trap ID

60

CIM Information

Prefix: PLAT ID: 0518

User Response

Information Only; no action required.

- **80070101-030101ff : Sensor CPU 1 Overtemp has transitioned from normal to non-critical state.**

The temperature of microprocessor 1 has exceeded its specified threshold.

Severity

Warning

Serviceable

Yes

Automatically notify support

No

Alert Category

Warning - Temperature

SNMP Trap ID

12

CIM Information

Prefix: PLAT ID: 0520

User Response

Complete the following steps until the problem is solved:

1. Check the Chassis Management Module or Flex System Manager event log for any fan- or cooling-related issues.
2. Make sure that the airflow at the front and rear of the chassis is not obstructed and that fillers are in place and correctly installed.
3. Make sure that the room temperature is within operating specifications.

- **80070101-030201ff : Sensor CPU 2 Overtemp has transitioned from normal to non-critical state.**

The temperature of microprocessor 2 has exceeded its specified threshold.

Severity

Warning

Serviceable

Yes

Automatically notify support

No

Alert Category

Warning - Temperature

SNMP Trap ID

CIM Information**Prefix:** PLAT ID: 0520**User Response**

Complete the following steps until the problem is solved:

1. Check the Chassis Management Module or Flex System Manager event log for any fan- or cooling-related issues.
2. Make sure that the airflow at the front and rear of the chassis is not obstructed and that fillers are in place and correctly installed.
3. Make sure that the room temperature is within operating specifications.

- **80070101-2c01ffff : Sensor Mezz Exp 1 temp has transitioned from normal to non-critical state.**

The temperature of the I/O expansion adapter in I/O expansion connector 1 has exceeded its specified threshold.

Severity

Warning

Serviceable

Yes

Automatically notify support

No

Alert Category

Warning - Temperature

SNMP Trap ID

12

CIM Information**Prefix:** PLAT ID: 0520**User Response**

Complete the following steps until the problem is solved:

1. Check the Chassis Management Module or Flex System Manager event log for any fan- or cooling-related issues.
2. Make sure that the airflow at the front and rear of the chassis is not obstructed and that fillers are in place and correctly installed.
3. Make sure that the room temperature is within operating specifications.

- **80070101-2c02ffff : Sensor Mezz Exp 2 temp has transitioned from normal to non-critical state.**

The temperature of the I/O expansion adapter in I/O expansion connector 2 has exceeded its specified threshold.

Severity

Warning

Serviceable

Yes

Automatically notify support

No

Alert Category

Warning - Temperature

SNMP Trap ID

12

CIM Information

Prefix: PLAT ID: 0520

User Response

Complete the following steps until the problem is solved:

1. Check the Chassis Management Module or Flex System Manager event log for any fan- or cooling-related issues.
2. Make sure that the airflow at the front and rear of the chassis is not obstructed and that fillers are in place and correctly installed.
3. Make sure that the room temperature is within operating specifications.

- **80070101-2c03ffff : Sensor PEN MExp 3 Temp has transitioned from normal to non-critical state.**

The temperature of the PEN Mezzanine Expansion adapter has exceeded its specified threshold.

Severity

Warning

Serviceable

Yes

Automatically notify support

No

Alert Category

Warning - Temperature

SNMP Trap ID

12

CIM Information

Prefix: PLAT ID: 0520

User Response

Complete the following steps until the problem is solved:

1. Check the Chassis Management Module or Flex System Manager event log for any fan- or cooling-related issues.
2. Make sure that the airflow at the front and rear of the chassis is not obstructed and that fillers are in place and correctly installed.
3. Make sure that the room temperature is within operating specifications.

- **80070101-2c04ffff : Sensor PEN MExp 4 Temp has transitioned from normal to non-critical state.**

The temperature of the PEN Mezzanine Expansion adapter has exceeded its specified threshold.

Severity

Warning

Serviceable

Yes

Automatically notify support

No

Alert Category

Warning - Temperature

SNMP Trap ID

12

CIM Information

Prefix: PLAT ID: 0520

User Response

Complete the following steps until the problem is solved:

1. Check the Chassis Management Module or Flex System Manager event log for any fan- or cooling-related issues.
2. Make sure that the airflow at the front and rear of the chassis is not obstructed and that fillers are in place and correctly installed.
3. Make sure that the room temperature is within operating specifications.

- **80070101-3101ffff : Sensor PCIE 1 Overtemp has transitioned from normal to non-critical state.**

The temperature of the PCI expansion unit PCIe Card1 has exceeded its specified threshold.

Severity

Warning

Serviceable

Yes

Automatically notify support

No

Alert Category

Warning - Temperature

SNMP Trap ID

12

CIM Information

Prefix: PLAT ID: 0520

User Response

Complete the following steps until the problem is solved:

1. Check the Chassis Management Module or Flex System Manager event log for any fan- or cooling-related issues.
2. Make sure that the airflow at the front and rear of the chassis is not obstructed and that fillers are in place and correctly installed.
3. Make sure that the room temperature is within operating specifications.

- **80070101-3102ffff : Sensor PCIE 2 Overtemp has transitioned from normal to non-critical state.**

The temperature of the PCI expansion unit PCIe Card2 has exceeded its specified threshold.

Severity

Warning

Serviceable

Yes

Automatically notify support

No

Alert Category

Warning - Temperature

SNMP Trap ID

12

CIM Information

Prefix: PLAT ID: 0520

User Response

Complete the following steps until the problem is solved:

1. Check the Chassis Management Module or Flex System Manager event log for any fan- or cooling-related issues.
2. Make sure that the airflow at the front and rear of the chassis is not obstructed and that fillers are in place and correctly installed.
3. Make sure that the room temperature is within operating specifications.

- **80070101-3103ffff : Sensor PCIE 3 Overtemp has transitioned from normal to non-critical state.**

The temperature of the PCI expansion unit PCIe Card3 has exceeded its specified threshold.

Severity

Warning

Serviceable

Yes

Automatically notify support

No

Alert Category

Warning - Temperature

SNMP Trap ID

12

CIM Information

Prefix: PLAT ID: 0520

User Response

Complete the following steps until the problem is solved:

1. Check the Chassis Management Module or Flex System Manager event log for any fan- or cooling-related issues.
2. Make sure that the airflow at the front and rear of the chassis is not obstructed and that fillers are in place and correctly installed.
3. Make sure that the room temperature is within operating specifications.

- **80070101-3104ffff : Sensor PCIE 4 Overtemp has transitioned from normal to non-critical state.**
The temperature of the PCI expansion unit PCIe Card4 has exceeded its specified threshold.

Severity

Warning

Serviceable

Yes

Automatically notify support

No

Alert Category

Warning - Temperature

SNMP Trap ID

12

CIM Information

Prefix: PLAT **ID:** 0520

User Response

Complete the following steps until the problem is solved:

1. Check the Chassis Management Module or Flex System Manager event log for any fan- or cooling-related issues.
2. Make sure that the airflow at the front and rear of the chassis is not obstructed and that fillers are in place and correctly installed.
3. Make sure that the room temperature is within operating specifications.

- **80070101-370202ff : Sensor PEN Inlet Over T has transitioned from normal to non-critical state.**
The PCIe Expansion Node Inlet temperature has exceeded its specified threshold.

Severity

Warning

Serviceable

Yes

Automatically notify support

No

Alert Category

Warning - Temperature

SNMP Trap ID

12

CIM Information

Prefix: PLAT **ID:** 0520

User Response

Complete the following steps until the problem is solved:

1. Check the Chassis Management Module or Flex System Manager event log for any fan- or cooling-related issues.
2. Make sure that the airflow at the front and rear of the chassis is not obstructed and that fillers are in place and correctly installed.

3. Make sure that the room temperature is within operating specifications.

- **8007010f-2201ffff : Sensor [SensorElementName] has transitioned from normal to non-critical state.**

The GPT (GUID Partition Table) in the disk LUN (Logical Unit Number) is corrupt and may make the data in the LUN inaccessible to the system and prevent boot.

Severity

Warning

Serviceable

Yes

Automatically notify support

No

Alert Category

Warning - Other

SNMP Trap ID

60

CIM Information

Prefix: PLAT ID: 0520

User Response

Complete the following steps:

1. Check the IBM support site for service bulletins or firmware updates that apply to this GPT error.
2. Set the UEFI setting "DISK GPT Recovery" to "Automatic".
3. Replace the corrupt disk.

- **8007010f-2582ffff : Sensor [SensorElementName] has transitioned from normal to non-critical state.**

Less than optimal I/O resource configuration.

Severity

Warning

Serviceable

Yes

Automatically notify support

No

Alert Category

Warning - Other

SNMP Trap ID

60

CIM Information

Prefix: PLAT ID: 0520

User Response

This is a UEFI detected event. The UEFI diagnostic code for this event can be found in the logged IMM message text. Please refer to the UEFI diagnostic code in the "UEFI diagnostic code" section of the Information Center for the appropriate user response.

Related links

- "Finding the UEFI diagnostic code" on page 824

- **80070114-2201ffff : Sensor [SensorElementName] has transitioned from normal to non-critical state.**

One of the following sensors has indicated an abnormal condition: TPM Lock, TPM Phy Pres Set. Sensor transitioned to non-critical from normal.

Severity

Warning

Serviceable

Yes

Automatically notify support

No

Alert Category

Warning - Other

SNMP Trap ID

60

CIM Information

Prefix: PLAT **ID:** 0520

User Response

This is a UEFI detected event. The UEFI diagnostic code for this event can be found in the logged IMM message text. Please refer to the UEFI diagnostic code in the "UEFI diagnostic code" section of the Information Center for the appropriate user response.

Related links

- "Finding the UEFI diagnostic code" on page 824

- **80070201-2d0101ff : Sensor PCH Overtemp has transitioned to critical from a less severe state.**

A temperature has exceeded its specified threshold.

Severity

Error

Serviceable

Yes

Automatically notify support

No

Alert Category

Critical - Temperature

SNMP Trap ID

0

CIM Information

Prefix: PLAT ID: 0522

User Response

Complete the following steps until the problem is solved:

1. Check the Chassis Management Module or Flex System Manager event log for any fan- or cooling-related issues.
2. Make sure that the airflow at the front and rear of the chassis is not obstructed and that fillers are in place and correctly installed.
3. Make sure that the room temperature is within operating specifications.

- **80070201-3101ffff : Sensor PCIE 1 Overtemp has transitioned to critical from a less severe state.**

The temperature of the PCI expansion unit PCIe Card1 has exceeded its specified threshold.

Severity

Error

Serviceable

Yes

Automatically notify support

No

Alert Category

Critical - Temperature

SNMP Trap ID

0

CIM Information

Prefix: PLAT ID: 0522

User Response

Complete the following steps until the problem is solved:

1. Check the Chassis Management Module or Flex System Manager event log for any fan- or cooling-related issues.
2. Make sure that the airflow at the front and rear of the chassis is not obstructed and that fillers are in place and correctly installed.
3. Make sure that the room temperature is within operating specifications.

- **80070201-3102ffff : Sensor PCIE 2 Overtemp has transitioned to critical from a less severe state.**

The temperature of the PCI expansion unit PCIe Card2 has exceeded its specified threshold.

Severity

Error

Serviceable

Yes

Automatically notify support

No

Alert Category

Critical - Temperature

SNMP Trap ID

0

CIM Information**Prefix:** PLAT **ID:** 0522**User Response**

Complete the following steps until the problem is solved:

1. Check the Chassis Management Module or Flex System Manager event log for any fan- or cooling-related issues.
2. Make sure that the airflow at the front and rear of the chassis is not obstructed and that fillers are in place and correctly installed.
3. Make sure that the room temperature is within operating specifications.

- **80070201-3103ffff : Sensor PCIE 3 Overtemp has transitioned to critical from a less severe state.**

The temperature of the PCI expansion unit PCIe Card3 has exceeded its specified threshold.

Severity

Error

Serviceable

Yes

Automatically notify support

No

Alert Category

Critical - Temperature

SNMP Trap ID

0

CIM Information**Prefix:** PLAT **ID:** 0522**User Response**

Complete the following steps until the problem is solved:

1. Check the Chassis Management Module or Flex System Manager event log for any fan- or cooling-related issues.
2. Make sure that the airflow at the front and rear of the chassis is not obstructed and that fillers are in place and correctly installed.
3. Make sure that the room temperature is within operating specifications.

- **80070201-3104ffff : Sensor PCIE 4 Overtemp has transitioned to critical from a less severe state.**

The temperature of the PCI expansion unit PCIe Card4 has exceeded its specified threshold.

Severity

Error

Serviceable

Yes

Automatically notify support

No

Alert Category

Critical - Temperature

SNMP Trap ID

0

CIM Information

Prefix: PLAT ID: 0522

User Response

Complete the following steps until the problem is solved:

1. Check the Chassis Management Module or Flex System Manager event log for any fan- or cooling-related issues.
2. Make sure that the airflow at the front and rear of the chassis is not obstructed and that fillers are in place and correctly installed.
3. Make sure that the room temperature is within operating specifications.

- **80070202-070101ff : Sensor SysBrd Fault has gone to Critical state from a less severe state.**

A failure has been detected in the system board.

Severity

Error

Serviceable

Yes

Automatically notify support

No

Alert Category

Critical - Voltage

SNMP Trap ID

1

CIM Information

Prefix: PLAT ID: 0522

User Response

Complete the following steps:

1. Remove any recently installed components.
2. Try to power on the compute node.
 - If the compute node successfully powers on, complete the following steps:
 - a. Check the ServerProven website to make sure that recently installed components are compatible with the compute node.
 - b. Inspect the previously installed components for physical damage.
 - If the compute node does not successfully power on or if this is not the first occurrence of this problem, replace the system board.

Related links

- “Removing and replacing the system-board assembly” on page 943

- **80070202-070102ff : Sensor SysBrd Fault has gone to Critical state from a less severe state.**

A failure has been detected in the system board.

Severity

Error

Serviceable

Yes

Automatically notify support

No

Alert Category

Critical - Voltage

SNMP Trap ID

1

CIM Information

Prefix: PLAT ID: 0522

User Response

Complete the following steps:

1. Remove any recently installed components.
2. Try to power on the compute node.
 - If the compute node successfully powers on, complete the following steps:
 - a. Check the ServerProven website to make sure that recently installed components are compatible with the compute node.
 - b. Inspect the previously installed components for physical damage.
 - If the compute node does not successfully power on or if this is not the first occurrence of this problem, replace the system board.

Related links

- “Removing and replacing the system-board assembly” on page 943

- **80070202-070103ff : Sensor SysBrd Fault has gone to Critical state from a less severe state.**

A failure has been detected in the system board.

Severity

Error

Serviceable

Yes

Automatically notify support

No

Alert Category

Critical - Voltage

SNMP Trap ID

1

CIM Information

Prefix: PLAT ID: 0522

User Response

Complete the following steps:

1. Remove any recently installed components.
2. Try to power on the compute node.
 - If the compute node successfully powers on, complete the following steps:
 - a. Check the ServerProven website to make sure that recently installed components are compatible with the compute node.
 - b. Inspect the previously installed components for physical damage.
 - If the compute node does not successfully power on or if this is not the first occurrence of this problem, replace the system board.

Related links

- “Removing and replacing the system-board assembly” on page 943

- **80070202-070111ff : Sensor SysBrd Fault has gone to Critical state from a less severe state.**

A failure has been detected in the system board.

Severity

Error

Serviceable

Yes

Automatically notify support

No

Alert Category

Critical - Voltage

SNMP Trap ID

1

CIM Information

Prefix: PLAT ID: 0522

User Response

Complete the following steps:

1. Remove any recently installed components.
2. Try to power on the compute node.
 - If the compute node successfully powers on, complete the following steps:
 - a. Check the ServerProven website to make sure that recently installed components are compatible with the compute node.
 - b. Inspect the previously installed components for physical damage.
 - If the compute node does not successfully power on or if system board.

Related links

- "Removing and replacing the system-board assembly" on page 943

- **80070202-070116ff : Sensor SysBrd Fault has gone to Critical state from a less severe state.**

A failure has been detected in the system board.

Severity

Error

Serviceable

Yes

Automatically notify support

No

Alert Category

Critical - Voltage

SNMP Trap ID

1

CIM Information

Prefix: PLAT **ID:** 0522

User Response

Complete the following steps:

1. Remove any recently installed components.
2. Try to power on the compute node.
 - If the compute node successfully powers on, complete the following steps:
 - a. Check the ServerProven website to make sure that recently installed components are compatible with the compute node.
 - b. Inspect the previously installed components for physical damage.
 - If the compute node does not successfully power on or if this is not the first occurrence of this problem, replace the system board.

Related links

- "Removing and replacing the system-board assembly" on page 943

- **80070202-070119ff : Sensor SysBrd Fault has gone to Critical state from a less severe state.**

A failure has been detected in the system board.

Severity

Error

Serviceable

Yes

Automatically notify support

No

Alert Category

Critical - Voltage

SNMP Trap ID

1

CIM Information

Prefix: PLAT ID: 0522

User Response

Complete the following steps:

1. Remove any recently installed components.
2. Try to power on the compute node.
 - If the compute node successfully powers on, complete the following steps:
 - a. Check the ServerProven website to make sure that recently installed components are compatible with the compute node.
 - b. Inspect the previously installed components for physical damage.
 - If the compute node does not successfully power on or if this is not the first occurrence of this problem, replace the system board.

Related links

- “Removing and replacing the system-board assembly” on page 943

- **80070202-0701ffff : Sensor SysBrd Fault has gone to Critical state from a less severe state.**

A voltage fault has been detected with the system board.

Severity

Error

Serviceable

Yes

Automatically notify support

No

Alert Category

Critical - Voltage

SNMP Trap ID

1

CIM Information

Prefix: PLAT ID: 0522

User Response

Complete the following steps:

1. Remove any recently installed components.
2. Try to power on the compute node.
 - If the compute node successfully powers on, complete the following steps:
 - a. Check the ServerProven website to make sure that recently installed components are compatible with the compute node.
 - b. Inspect the previously installed components for physical damage.

- If the compute node does not successfully power on or if this is not the first occurrence of this problem, replace the system board.

Related links

- "Removing and replacing the system-board assembly" on page 943

- **80070202-10020000 : Sensor SEN Vol Fault has transitioned to critical from a less severe state.**

A failure has been detected in the SEN planar board.

Severity

Error

Serviceable

Yes

Automatically notify support

No

Alert Category

Critical - Voltage

SNMP Trap ID

1

CIM Information

Prefix: PLAT ID: 0522

User Response

Complete the following steps:

1. Remove any recently installed components.
2. Try to power on the compute node.
 - If the compute node successfully powers on, complete the following steps:
 - a. Check the ServerProven website to make sure that recently installed components are compatible with the compute node.
 - b. Inspect the previously installed components for physical damage.
 - If the compute node does not successfully power on or if this is not the first occurrence of this problem, replace the system board.

Related links

- "Removing and replacing the system-board assembly" on page 943

- **80070202-10020002 : Sensor SEN Vol Fault has transitioned to critical from a less severe state.**

A failure has been detected in the SEN planar board.

Severity

Error

Serviceable

Yes

Automatically notify support

No

Alert Category

Critical - Voltage

SNMP Trap ID

1

CIM Information

Prefix: PLAT ID: 0522

User Response

Complete the following steps:

1. Remove any recently installed components.
2. Try to power on the compute node.
 - If the compute node successfully powers on, complete the following steps:
 - a. Check the ServerProven website to make sure that recently installed components are compatible with the compute node.
 - b. Inspect the previously installed components for physical damage.
 - If the compute node does not successfully power on or if this is not the first occurrence of this problem, replace the system board.

Related links

- “Removing and replacing the system-board assembly” on page 943

- **80070202-10020004 : Sensor SEN Vol Fault has transitioned to critical from a less severe state.**

A failure has been detected in the SEN planar board.

Severity

Error

Serviceable

Yes

Automatically notify support

No

Alert Category

Critical - Voltage

SNMP Trap ID

1

CIM Information

Prefix: PLAT ID: 0522

User Response

Complete the following steps:

1. Remove any recently installed components.
2. Try to power on the compute node.

- If the compute node successfully powers on, complete the following steps:
 - a. Check the ServerProven website to make sure that recently installed components are compatible with the compute node.
 - b. Inspect the previously installed components for physical damage.
- If the compute node does not successfully power on or if this is not the first occurrence of this problem, replace the system board.

Related links

- “Removing and replacing the system-board assembly” on page 943

- **80070202-10020008 : Sensor SEN Vol Fault has transitioned to critical from a less severe state.**

A failure has been detected in the SEN planar board.

Severity

Error

Serviceable

Yes

Automatically notify support

No

Alert Category

Critical - Voltage

SNMP Trap ID

1

CIM Information

Prefix: PLAT **ID:** 0522

User Response

Complete the following steps:

1. Remove any recently installed components.
2. Try to power on the compute node.
 - If the compute node successfully powers on, complete the following steps:
 - a. Check the ServerProven website to make sure that recently installed components are compatible with the compute node.
 - b. Inspect the previously installed components for physical damage.
 - If the compute node does not successfully power on or if this is not the first occurrence of this problem, replace the system board.

Related links

- “Removing and replacing the system-board assembly” on page 943

- **80070202-10020010 : Sensor SEN Vol Fault has transitioned to critical from a less severe state.**

A failure has been detected in the SEN planar board.

Severity

Error

Serviceable

Yes

Automatically notify support

No

Alert Category

Critical - Voltage

SNMP Trap ID

1

CIM Information

Prefix: PLAT ID: 0522

User Response

Complete the following steps:

1. Remove any recently installed components.
2. Try to power on the compute node.
 - If the compute node successfully powers on, complete the following steps:
 - a. Check the ServerProven website to make sure that recently installed components are compatible with the compute node.
 - b. Inspect the previously installed components for physical damage.
 - If the compute node does not successfully power on or if this is not the first occurrence of this problem, replace the system board.

Related links

- “Removing and replacing the system-board assembly” on page 943

- **80070202-10020040 : Sensor SEN Vol Fault has transitioned to critical from a less severe state.**

A failure has been detected in the SEN planar board.

Severity

Error

Serviceable

Yes

Automatically notify support

No

Alert Category

Critical - Voltage

SNMP Trap ID

1

CIM Information

Prefix: PLAT ID: 0522

User Response

Complete the following steps:

1. Remove any recently installed components.
2. Try to power on the compute node.
 - If the compute node successfully powers on, complete the following steps:
 - a. Check the ServerProven website make sure that recently installed components are compatible with the compute node.
 - b. Inspect the previously installed components for physical damage.
 - If the compute node does not successfully power on or if this is not the first occurrence of this problem, replace the system board.

Related links

- “Removing and replacing the system-board assembly” on page 943

- **80070202-1002ffff : Sensor SEN Vol Fault has transitioned to critical from a less severe state.**

A failure has been detected in the SEN planar board.

Severity

Error

Serviceable

Yes

Automatically notify support

No

Alert Category

Critical - Voltage

SNMP Trap ID

1

CIM Information

Prefix: PLAT ID: 0522

User Response

Complete the following steps:

1. Remove any recently installed components.
2. Try to power on the compute node.
 - If the compute node successfully powers on, complete the following steps:
 - a. Check the ServerProven website to make sure that recently installed components are compatible with the compute node.
 - b. Inspect the previously installed components for physical damage.
 - If the compute node does not successfully power on or if this is not the first occurrence of this problem, replace the system board.

Related links

- “Removing and replacing the system-board assembly” on page 943

- **80070202-190100ff : Sensor PEN Planar Fault has transitioned to critical from a less severe state.**

A failure has been detected in the PEN planar board.

Severity

Error

Serviceable

Yes

Automatically notify support

No

Alert Category

Critical - Voltage

SNMP Trap ID

1

CIM Information

Prefix: PLAT ID: 0522

User Response

Complete the following steps:

1. Remove any recently installed components.
2. Try to power on the compute node.
 - If the compute node successfully powers on, complete the following steps:
 - a. Check the ServerProven website to make sure that recently installed components are compatible with the compute node.
 - b. Inspect the previously installed components for physical damage.
 - If the compute node does not successfully power on or if this is not the first occurrence of this problem, replace the system board.

Related links

- “Removing and replacing the system-board assembly” on page 943

- **80070202-190104ff : Sensor PEN Planar Fault has transitioned to critical from a less severe state.**

A failure has been detected in the PEN planar board.

Severity

Error

Serviceable

Yes

Automatically notify support

No

Alert Category

Critical - Voltage

SNMP Trap ID

1

CIM Information**Prefix:** PLAT **ID:** 0522**User Response**

Complete the following steps:

1. Remove any recently installed components.
2. Try to power on the compute node.
 - If the compute node successfully powers on, complete the following steps:
 - a. Check the ServerProven website to make sure that recently installed components are compatible with the compute node.
 - b. Inspect the previously installed components for physical damage.
 - If the compute node does not successfully power on or if this is not the first occurrence of this problem, replace the system board.

Related links

- “Removing and replacing the system-board assembly” on page 943

- **80070202-1901ffff : Sensor PEN Planar Fault has transitioned to critical from a less severe state.**

A failure has been detected in the PEN planar board.

Severity

Error

Serviceable

Yes

Automatically notify support

No

Alert Category

Critical - Voltage

SNMP Trap ID

1

CIM Information**Prefix:** PLAT **ID:** 0522**User Response**

Complete the following steps:

1. Remove any recently installed components.
2. Try to power on the compute node.
 - If the compute node successfully powers on, complete the following steps:
 - a. Check the ServerProven website to make sure that recently installed components are compatible with the compute node.
 - b. Inspect the previously installed components for physical damage.

- If the compute node does not successfully power on or if this is not the first occurrence of this problem, replace the system board.

Related links

- "Removing and replacing the system-board assembly" on page 943

- **80070202-19020010 : Sensor SEN Vol Fault has transitioned to critical from a less severe state.**

A failure has been detected in the SEN planar board.

Severity

Error

Serviceable

Yes

Automatically notify support

No

Alert Category

Critical - Voltage

SNMP Trap ID

1

CIM Information

Prefix: PLAT ID: 0522

User Response

Complete the following steps:

1. Remove any recently installed components.
2. Try to power on the compute node.
 - If the compute node successfully powers on, complete the following steps:
 - a. Check the ServerProven website to make sure that recently installed components are compatible with the compute node.
 - b. Inspect the previously installed components for physical damage.
 - If the compute node does not successfully power on or if this is not the first occurrence of this problem, replace the system board.

Related links

- "Removing and replacing the system-board assembly" on page 943

- **80070202-1902ffff : Sensor SEN Vol Fault has transitioned to critical from a less severe state.**

A failure has been detected in the SEN planar board.

Severity

Error

Serviceable

Yes

Automatically notify support

No

Alert Category

Critical - Voltage

SNMP Trap ID

1

CIM Information

Prefix: PLAT ID: 0522

User Response

Complete the following steps:

1. Remove any recently installed components.
2. Try to power on the compute node.
 - If the compute node successfully powers on, complete the following steps:
 - a. Check the ServerProven website to make sure that recently installed components are compatible with the compute node.
 - b. Inspect the previously installed components for physical damage.
 - If the compute node does not successfully power on or if this is not the first occurrence of this problem, replace the system board.

Related links

- “Removing and replacing the system-board assembly” on page 943

- **8007020f-2201ffff : Sensor TXT ACM Module has transitioned to critical from a less severe state.**

TXT ACM Module reports it is above a normal state.

Severity

Error

Serviceable

Yes

Automatically notify support

No

Alert Category

Critical - Other

SNMP Trap ID

50

CIM Information

Prefix: PLAT ID: 0522

User Response

This is a UEFI detected event. The UEFI diagnostic code for this event can be found in the logged IMM message text. Please refer to the UEFI diagnostic code in the "UEFI diagnostic code" section of the Info Center for the appropriate user response.

Related links

– “Finding the UEFI diagnostic code” on page 824

- **8007020f-2582ffff : Sensor No I/O Resources has transitioned to critical from a less severe state.**

An I/O resource conflict has been detected.

Severity

Error

Serviceable

Yes

Automatically notify support

No

Alert Category

Critical - Other

SNMP Trap ID

50

CIM Information

Prefix: PLAT ID: 0522

User Response

This is a UEFI detected event. The UEFI diagnostic code for this event can be found in the logged IMM message text. Please refer to the UEFI diagnostic code in the "UEFI diagnostic code" section of the Info Center for the appropriate user response.

Related links

– “Finding the UEFI diagnostic code” on page 824

- **80070215-1002ffff : Sensor [SensorElementName] has transitioned to critical from a less severe state.**

The Storage Expansion Node drawer is open or not closed properly.

Severity

Error

Serviceable

Yes

Automatically notify support

No

Alert Category

Critical - Other

SNMP Trap ID

50

CIM Information

Prefix: PLAT ID: 0522

User Response

Close the Storage Expansion Node drawer or push again to make sure the drawer is closed.

- **80070215-1902ffff : Sensor [SensorElementName] has transitioned to critical from a less severe state.**

The Storage Expansion Node drawer is open or not closed properly.

Severity

Error

Serviceable

Yes

Automatically notify support

No

Alert Category

Critical - Other

SNMP Trap ID

50

CIM Information

Prefix: PLAT **ID:** 0522

User Response

Close the Storage Expansion Node drawer or push again to make sure the drawer is closed.

- **80070217-0b05ffff : Sensor ETE Fault has transitioned to critical from a less severe state.**

A failure has been detected in the interposer card.

Severity

Error

Serviceable

Yes

Automatically notify support

No

Alert Category

Critical - Other

SNMP Trap ID

50

CIM Information

Prefix: PLAT **ID:** 0522

User Response

1. Make sure that the interposer card is connected correctly. If the error remains, check the log for faults on the attached expansion unit and resolve them.
2. Replace the attached expansion unit.

Related links

- "Removing an I/O expansion adapter" on page 922
- "Installing an I/O expansion adapter" on page 923

- **80070217-0b81ffff : Sensor PEN FHR Empty has transitioned to critical from a less severe state.**

The Full Height Riser Card in the PCIe Expansion Node has been detected as missing. The PCIe Expansion Node will not power on without this card installed.

Severity

Error

Serviceable

Yes

Automatically notify support

No

Alert Category

Critical - Other

SNMP Trap ID

50

CIM Information

Prefix: PLAT ID: 0522

User Response

If the Full Height Riser (FHR) is not installed in the PEN, then the FHR needs to be installed in the PCIe Expansion Node (PEN) to remove this alert and allow the system to power on. If the FHR is installed, then remove the Compute Node and PEN from the chassis, and remove the FHR. Reinstall the FHR in the base planar in the PEN, and verify if this alert has been cleared. If this alert continues to occur, then replace the FHR. If after replacing the FHR, the alert continues to occur, then replace the base planar on the PEN.

- **80070217-0b82ffff : Sensor PEN LPR Empty has transitioned to critical from a less severe state.**

The Low Profile Riser Card in the PEN has been detected as missing. The PCIe Expansion Node will not power on without this card installed.

Severity

Error

Serviceable

Yes

Automatically notify support

No

Alert Category

Critical - Other

SNMP Trap ID

50

CIM Information

Prefix: PLAT ID: 0522

User Response

If the Low Profile Riser (LPR) is not installed in the PCIe Expansion Node (PEN), then the LPR needs to be installed in the PEN to remove this alert and allow the system to power on. If the LPR is installed, then remove the Compute Node and PEN from the chassis, and remove the LPR. Reinstall the LPR in the base planar in the PEN, and verify if this alert has been cleared. If this alert continues to occur, then replace the LPR. If after replacing the LPR, the alert continues to occur, then replace the base planar on the PEN.

- **80070217-1002ffff : Sensor [SensorElementName] has transitioned to critical from a less severe state.**

For SEN Adapter : The raid cache adapter card on the Storage Expansion Node is absent or not attached properly. For SEN Ctrl Panel : The LED panel in the front of the Storage Expansion Node is absent or not attached properly.

Severity

Error

Serviceable

Yes

Automatically notify support

No

Alert Category

Critical - Other

SNMP Trap ID

50

CIM Information

Prefix: PLAT **ID:** 0522

User Response

For SEN Adapter : Check the raid cache adapter card cable and make sure it is attached to the main board properly. For SEN Ctrl Panel : Check the LED panel cable and make sure it is attached to the main board properly.

- **80070217-1902ffff : Sensor [SensorElementName] has transitioned to critical from a less severe state.**

For SEN Adapter : The raid cache adapter card on the Storage Expansion Node is absent or not attached properly. For SEN Ctrl Panel : The LED panel in the front of the Storage Expansion Node is absent or not attached properly.

Severity

Error

Serviceable

Yes

Automatically notify support

No

Alert Category

Critical - Other

SNMP Trap ID

50

CIM Information

Prefix: PLAT **ID:** 0522

User Response

For SEN Adapter : Check the raid cache adapter card cable and make sure it is attached to the main board properly. For SEN Ctrl Panel : Check the LED panel cable and make sure it is attached to the main board properly.

- **80070217-1f02ffff : Sensor ETE Fault has transitioned to critical from a less severe state.**

A failure has been detected in the interposer cable.

Severity

Error

Serviceable

Yes

Automatically notify support

No

Alert Category

Critical - Other

SNMP Trap ID

50

CIM Information

Prefix: PLAT ID: 0522

User Response

1. Make sure that the interposer cable is connected correctly. If the error remains, check the log for faults on the attached expansion unit and resolve them.
2. Replace the attached expansion unit.

- **80070217-2c01ffff : Sensor Mezz Exp 1 Fault has transitioned to critical from a less severe state.**

A problem has been detected in the I/O expansion adapter in I/O expansion connector 1. The adapter is unable to initialize.

Severity

Error

Serviceable

Yes

Automatically notify support

No

Alert Category

Critical - Other

SNMP Trap ID

50

CIM Information

Prefix: PLAT ID: 0522

User Response

Complete the following steps:

1. Remove any recently installed components.
2. Try to power on the chassis.

- If the chassis successfully powers on, complete the following steps:
 - a. Check the ServerProven website to make sure that recently installed components are compatible with the chassis.
 - b. Inspect the previously installed components for physical damage.
- If the chassis does not successfully power on or if this is not the first occurrence of this problem, replace the I/O expansion adapter.

- **80070217-2c02ffff : Sensor Mezz Exp 2 Fault has transitioned to critical from a less severe state.**

A problem was detected in the I/O expansion adapter in I/O expansion connector 2. The adapter is unable to initialize.

Severity

Error

Serviceable

Yes

Automatically notify support

No

Alert Category

Critical - Other

SNMP Trap ID

50

CIM Information

Prefix: PLAT **ID:** 0522

User Response

Complete the following steps:

1. Remove any recently installed components from the PCI expansion unit.
2. Try to power on the chassis.
 - If the chassis successfully powers on, complete the following steps:
 - a. Check the ServerProven website to make sure that recently installed components are compatible with the chassis.
 - b. Inspect the previously installed components for physical damage.
 - If the chassis does not successfully power on or if this is not the first occurrence of this problem, replace the I/O expansion adapter.

- **80070217-2c03ffff : Sensor PEN MExp 3 Fault has transitioned to critical from a less severe state.**

A problem was detected in the PEN Mzzanine Expansion adapter in I/O expansion connector 3. The adapter is unable to initialize.

Severity

Error

Serviceable

Yes

Automatically notify support

No

Alert Category

Critical - Other

SNMP Trap ID

50

CIM Information**Prefix:** PLAT ID: 0522**User Response**

Complete the following steps:

1. Remove any recently installed components from the PCI expansion unit.
 2. Try to power on the chassis.
 - If the chassis successfully powers on, complete the following steps:
 - a. Check the ServerProven website to make sure that recently installed components are compatible with the chassis.
 - b. Inspect the previously installed components for physical damage.
 - If the chassis does not successfully power on or if this is not the first occurrence of this problem, replace the PCI expansion unit.
- **80070217-2c04ffff : Sensor PEN MExp 4 Fault has transitioned to critical from a less severe state.**

A problem was detected in the PEN Mzzanine Expansion adapter in I/O expansion connector 4. The adapter is unable to initialize.

Severity

Error

Serviceable

Yes

Automatically notify support

No

Alert Category

Critical - Other

SNMP Trap ID

50

CIM Information**Prefix:** PLAT ID: 0522**User Response**

Complete the following steps:

1. Remove any recently installed components from the PCI expansion unit.
2. Try to power on the chassis.
 - If the chassis successfully powers on, complete the following steps:
 - a. Check the ServerProven website to make sure that recently installed components are compatible with the chassis.
 - b. Inspect the previously installed components for physical damage.
 - If the chassis does not successfully power on or if this is not the first occurrence of this problem, replace the PCI expansion unit.

- **80070217-3101ffff : Sensor PEN Slot1 Empty has transitioned to critical from a less severe state.**
PCIe adapter slot 1 in the PCI expansion unit is empty.

Severity

Error

Serviceable

Yes

Automatically notify support

No

Alert Category

Critical - Other

SNMP Trap ID

50

CIM Information

Prefix: PLAT **ID:** 0522

User Response

PCIe adapter slot 1 in the PCI expansion unit must not be empty. Install either a PCIe adapter or a filler in this slot. If a baffle or PCIe adapter card is installed in the slot, remove the riser and reseat the card, then reinstall the riser into the PEN to clear the critical error. If the error does not clear after reseating the PCIe card or baffle, then replace the riser to resolve the alert. If replacing the riser does not resolve the alert, then replace the PCIe adapter card or baffle. If replacing both the riser and the PCIe adapter card or baffle does not resolve the defect, then replace the system planar in the PEN.

Related links

- “Removing an I/O expansion adapter” on page 922
- “Installing an I/O expansion adapter” on page 923

- **80070217-3102ffff : Sensor PEN Slot2 Empty has transitioned to critical from a less severe state.**
PCIe adapter slot 2 in the PCI expansion unit is empty.

Severity

Error

Serviceable

Yes

Automatically notify support

No

Alert Category

Critical - Other

SNMP Trap ID

50

CIM Information

Prefix: PLAT ID: 0522

User Response

PCIe adapter slot 2 in the PCI expansion unit must not be empty. Install either a PCIe adapter or a filler in this slot. If a baffle or PCIe adapter card is installed in the slot, remove the riser and reseat the card, then reinstall the riser into the PEN to clear the critical error. If the error does not clear after reseating the PCIe card or baffle, then replace the riser to resolve the alert. If replacing the riser does not resolve the alert, then replace the PCIe adapter card or baffle. If replacing both the riser and the PCIe adapter card or baffle does not resolve the defect, then replace the system planar in the PEN.

Related links

- "Removing an I/O expansion adapter" on page 922
- "Installing an I/O expansion adapter" on page 923

- **80070217-3103ffff : Sensor PEN Slot3 Empty has transitioned to critical from a less severe state.**

PCIe adapter slot 3 in the PCI expansion unit is empty.

Severity

Error

Serviceable

Yes

Automatically notify support

No

Alert Category

Critical - Other

SNMP Trap ID

50

CIM Information

Prefix: PLAT ID: 0522

User Response

PCIe adapter slot 3 in the PCI expansion unit must not be empty. Install either a PCIe adapter or a filler in this slot. If a baffle or PCIe adapter card is installed in the slot, remove the riser and reseat the card, then reinstall the riser into the PEN to clear the critical error. If the error does not clear after reseating the PCIe card or baffle, then replace the riser to resolve the alert. If replacing the riser does not resolve the alert, then replace the PCIe adapter card or baffle. If replacing both the riser and the PCIe adapter card or baffle does not resolve the defect, then replace the system planar in the PEN.

Related links

- "Removing an I/O expansion adapter" on page 922
- "Installing an I/O expansion adapter" on page 923

- **80070217-3104ffff : Sensor PEN Slot4 Empty has transitioned to critical from a less severe state.**

PCIe adapter slot 4 in the PCI expansion unit is empty.

Severity

Error

Serviceable

Yes

Automatically notify support

No

Alert Category

Critical - Other

SNMP Trap ID

50

CIM Information

Prefix: PLAT ID: 0522

User Response

PCIe adapter slot 4 in the PCI expansion unit must not be empty. Install either a PCIe adapter or a filler in this slot. If a baffle or PCIe adapter card is installed in the slot, remove the riser and reseat the card, then reinstall the riser into the PEN to clear the critical error. , then replace the system planar in the PEN.

Related links

- "Removing an I/O expansion adapter" on page 922
- "Installing an I/O expansion adapter" on page 923

- **80070219-10020000 : Sensor SEN LSI Fault has transitioned to critical from a less severe state.**

SEN LSI Chipset Fault has been detected on SEN

Severity

Error

Serviceable

Yes

Automatically notify support

No

Alert Category

Critical - Other

SNMP Trap ID

50

CIM Information

Prefix: PLAT ID: 0522

User Response

Complete the following steps:

1. Remove any recently installed components.
2. Try to power on the node.
 - If the node successfully powers on and the drives on SEN are accessible, complete the following steps:
 - a. Check the ServerProven website to make sure that recently installed components are compatible with the compute node.
 - b. Inspect the previously installed components for physical damage.
 - If the node does not successfully power on or if the drives on SEN are unaccessible or if this is not the first occurrence of this problem, (trained service technician only) replace the SEN system board.

Related links

- “Finding the UEFI diagnostic code” on page 824

- **80070219-19020000 : Sensor SEN LSI Fault has transitioned to critical from a less severe state.**
SEN LSI Chipset Fault has been detected on SEN

Severity

Error

Serviceable

Yes

Automatically notify support

No

Alert Category

Critical - Other

SNMP Trap ID

50

CIM Information

Prefix: PLAT **ID:** 0522

User Response

Complete the following steps:

1. Remove any recently installed components.
2. Try to power on the node.
 - If the node successfully powers on and the drives on SEN are accessible, complete the following steps:
 - a. Check the ServerProven website to make sure that recently installed components are compatible with the compute node.

- b. Inspect the previously installed components for physical damage.
- If the node does not successfully power on or if the drives on SEN are unaccessiable or if this is not the first occurrence of this problem, (trained service technician only) replace the SEN system board.

Related links

- "Finding the UEFI diagnostic code" on page 824

- **8007021b-0301ffff : Sensor CPU 1 QPILinkErr has transitioned to critical from a less severe state.**

CPU 1 QPI Link Failure detected.

Severity

Error

Serviceable

Yes

Automatically notify support

Yes

Alert Category

Critical - Other

SNMP Trap ID

50

CIM Information

Prefix: PLAT ID: 0522

User Response

This is a UEFI detected event. The UEFI diagnostic code for this event can be found in the logged IMM message text. Please refer to the UEFI diagnostic code in the "UEFI diagnostic code" section of the Information Center for the appropriate user response.

Related links

- "Finding the UEFI diagnostic code" on page 824

- **8007021b-0302ffff : Sensor CPU 2 QPILinkErr has transitioned to critical from a less severe state.**

CPU 2 QPI Link Failure detected.

Severity

Error

Serviceable

Yes

Automatically notify support

Yes

Alert Category

Critical - Other

SNMP Trap ID

CIM Information**Prefix:** PLAT ID: 0522**User Response**

This is a UEFI detected event. The UEFI diagnostic code for this event can be found in the logged IMM message text. Please refer to the UEFI diagnostic code in the "UEFI diagnostic code" section of the Information Center for the appropriate user response.

Related links

- "Finding the UEFI diagnostic code" on page 824

- **80070301-030101ff : Sensor CPU 1 Overtemp has gone to Nonrecoverable state from a less severe state.**

The microprocessor 1 temperature has risen above its specified threshold, causing a hard shutdown of the node.

Severity

Error

Serviceable

Yes

Automatically notify support

No

Alert Category

Critical - Temperature

SNMP Trap ID

0

CIM Information**Prefix:** PLAT ID: 0524**User Response**

Complete the following steps until the problem is solved:

1. Check the Chassis Management Module or Flex System Manager event log for any fan- or cooling-related issues.
2. Make sure that the airflow at the front and rear of the chassis is not obstructed and that fillers are in place and correctly installed.
3. Make sure that the room temperature is within operating specifications.
4. Make sure that the microprocessor 1 heat sink is securely installed.
5. Make sure that the microprocessor 1 heat sink is installed correctly and the thermal material is correctly applied.
6. Replace microprocessor 1.

Related links

- "Removing a microprocessor and heat sink" on page 931
- "Installing a microprocessor and heat sink" on page 935

- **80070301-030201ff : Sensor CPU 2 Overtemp has gone to Nonrecoverable state from a less severe state.**

The temperature of microprocessor 2 has exceeded its specified threshold, causing a hard shutdown of the compute node.

Severity

Error

Serviceable

Yes

Automatically notify support

No

Alert Category

Critical - Temperature

SNMP Trap ID

0

CIM Information

Prefix: PLAT ID: 0524

User Response

Complete the following steps until the problem is solved:

1. Check the Chassis Management Module or Flex System Manager event log for any fan- or cooling-related issues.
2. Make sure that the airflow at the front and rear of the chassis is not obstructed and that fillers are in place and correctly installed.
3. Make sure that the room temperature is within operating specifications.
4. Make sure that the microprocessor 2 heat sink is securely installed.
5. Make sure that the microprocessor 2 heat sink is installed correctly and the thermal material is correctly applied.
6. Replace microprocessor 2.

Related links

- “Removing a microprocessor and heat sink” on page 931
- “Installing a microprocessor and heat sink” on page 935

- **80070301-2c01ffff : Sensor Mezz Exp 1 temp has transitioned to non-recoverable from a less severe state.**

The temperature of the I/O expansion adapter in I/O expansion connector 1 has exceeded its specified threshold. The compute node has attempted a soft shutdown.

Severity

Error

Serviceable

Yes

Automatically notify support

No

Alert Category

Critical - Temperature

SNMP Trap ID

0

CIM Information

Prefix: PLAT ID: 0524

User Response

Complete the following steps until the problem is solved:

1. Check the Chassis Management Module or Flex System Manager event log for any fan- or cooling-related issues.
2. Make sure that the airflow at the front and rear of the chassis is not obstructed and that fillers are in place and correctly installed.
3. Make sure that the room temperature is within operating specifications.
4. If there are no other thermal issues, replace the I/O expansion adapter.

Related links

- "Removing an I/O expansion adapter" on page 922
- "Installing an I/O expansion adapter" on page 923

- **80070301-2c02ffff : Sensor Mezz Exp 2 temp has transitioned to non-recoverable from a less severe state.**

The temperature of the I/O expansion adapter in I/O expansion connector 2 has exceeded its specified threshold. The compute node has attempted a soft shutdown.

Severity

Error

Serviceable

Yes

Automatically notify support

No

Alert Category

Critical - Temperature

SNMP Trap ID

0

CIM Information

Prefix: PLAT ID: 0524

User Response

Complete the following steps until the problem is solved:

1. Check the Chassis Management Module or Flex System Manager event log for any fan- or cooling-related issues.
2. Make sure that the airflow at the front and rear of the chassis is not obstructed and that fillers are in place and correctly installed.
3. Make sure that the room temperature is within operating specifications.
4. If there are no other thermal issues, replace the I/O expansion adapter.

Related links

- "Removing an I/O expansion adapter" on page 922
- "Installing an I/O expansion adapter" on page 923

- **80070301-2c03ffff : Sensor PEN MExp 3 Temp has transitioned to non-recoverable from a less severe state.**

The temperature of the PEN MEzzanine Expansion adapter in I/O expansion connector 3 has exceeded its specified threshold. The compute node has attempted a soft shutdown.

Severity

Error

Serviceable

Yes

Automatically notify support

No

Alert Category

Critical - Temperature

SNMP Trap ID

0

CIM Information

Prefix: PLAT **ID:** 0524

User Response

Complete the following steps until the problem is solved:

1. Check the Chassis Management Module or Flex System Manager event log for any fan- or cooling-related issues.
2. Make sure that the airflow at the front and rear of the chassis is not obstructed and that fillers are in place and correctly installed.
3. Make sure that the room temperature is within operating specifications.
4. If there are no other thermal issues, replace the I/O expansion adapter.

Related links

- "Removing an I/O expansion adapter" on page 922
- "Installing an I/O expansion adapter" on page 923

- **80070301-2c04ffff : Sensor PEN MExp 4 Temp has transitioned to non-recoverable from a less severe state.**

The temperature of the PEN MEzzanine Expansion adapter in I/O expansion connector 4 has exceeded its specified threshold. The compute node has attempted a soft shutdown.

Severity

Error

Serviceable

Yes

Automatically notify support

No

Alert Category

Critical - Temperature

SNMP Trap ID

0

CIM Information

Prefix: PLAT ID: 0524

User Response

Complete the following steps until the problem is solved:

1. Check the Chassis Management Module or Flex System Manager event log for any fan- or cooling-related issues.
2. Make sure that the airflow at the front and rear of the chassis is not obstructed and that fillers are in place and correctly installed.
3. Make sure that the room temperature is within operating specifications.
4. If there are no other thermal issues, replace the I/O expansion adapter.

Related links

- "Installing an I/O expansion adapter" on page 923

- **80070301-2d0101ff : Sensor PCH Overtemp has transitioned to non-recoverable from a less severe state.**

A temperature has exceeded its specified threshold. The compute node will attempt a soft shutdown.

Severity

Error

Serviceable

Yes

Automatically notify support

No

Alert Category

Critical - Temperature

SNMP Trap ID

0

CIM Information

Prefix: PLAT ID: 0524

User Response

Complete the following steps until the problem is solved:

1. Check the Chassis Management Module or Flex System Manager event log for any fan- or cooling-related issues.
2. Make sure that the airflow at the front and rear of the chassis is not obstructed and that fillers are in place and correctly installed.
3. Make sure that the room temperature is within operating specifications.

- **80070301-3101ffff : Sensor PCIE 1 Overtemp has transitioned to non-recoverable from a less severe state.**

Sensor PCIE 1 Overtemp has transitioned to critical from a less severe state. The compute node has attempted a soft shutdown.

Severity

Error

Serviceable

Yes

Automatically notify support

No

Alert Category

Critical - Temperature

SNMP Trap ID

0

CIM Information

Prefix: PLAT **ID:** 0524

User Response

Complete the following steps until the problem is solved:

1. Check the Chassis Management Module or Flex System Manager event log for any fan- or cooling-related issues.
2. Make sure that the airflow at the front and rear of the chassis is not obstructed and that fillers are in place and correctly installed.
3. Make sure that the room temperature is within operating specifications.
4. If there are no other thermal issues, replace the PCIe Card.

Related links

- "Removing an I/O expansion adapter" on page 922
- "Installing an I/O expansion adapter" on page 923

• **80070301-3102ffff : Sensor PCIE 2 Overtemp has transitioned to non-recoverable from a less severe state.**

Sensor PCIE 2 Overtemp has transitioned to critical from a less severe state. The compute node has attempted a soft shutdown.

Severity

Error

Serviceable

Yes

Automatically notify support

No

Alert Category

Critical - Temperature

SNMP Trap ID

0

CIM Information

Prefix: PLAT **ID:** 0524

User Response

Complete the following steps until the problem is solved:

1. Check the Chassis Management Module or Flex System Manager event log for any fan- or cooling-related issues.
2. Make sure that the airflow at the front and rear of the chassis is not obstructed and that fillers are in place and correctly installed.
3. Make sure that the room temperature is within operating specifications.
4. If there are no other thermal issues, replace the PCIe Card.

Related links

- “Removing an I/O expansion adapter” on page 922
- “Installing an I/O expansion adapter” on page 923

- **80070301-3103ffff : Sensor PCIE 3 Overtemp has transitioned to non-recoverable from a less severe state.**

Sensor PCIE 3 Overtemp has transitioned to critical from a less severe state. The compute node has attempted a soft shutdown.

Severity

Error

Serviceable

Yes

Automatically notify support

No

Alert Category

Critical - Temperature

SNMP Trap ID

0

CIM Information

Prefix: PLAT ID: 0524

User Response

Complete the following steps until the problem is solved:

1. Check the Chassis Management Module or Flex System Manager event log for any fan- or cooling-related issues.
2. Make sure that the airflow at the front and rear of the chassis is not obstructed and that fillers are in place and correctly installed.
3. Make sure that the room temperature is within operating specifications.
4. If there are no other thermal issues, replace the PCIe Card.

Related links

- “Removing an I/O expansion adapter” on page 922
- “Installing an I/O expansion adapter” on page 923

- **80070301-3104ffff : Sensor PCIE 4 Overtemp has transitioned to non-recoverable from a less severe state.**

Sensor PCIE 4 Overtemp has transitioned to critical from a less severe state. The compute node has attempted a soft shutdown.

Severity

Error

Serviceable

Yes

Automatically notify support

No

Alert Category

Critical - Temperature

SNMP Trap ID

0

CIM Information

Prefix: PLAT ID: 0524

User Response

Complete the following steps until the problem is solved:

1. Check the Chassis Management Module or Flex System Manager event log for any fan- or cooling-related issues.
2. Make sure that the airflow at the front and rear of the chassis is not obstructed and that fillers are in place and correctly installed.
3. Make sure that the room temperature is within operating specifications.
4. If there are no other thermal issues, replace the PCIe Card.

Related links

- "Removing an I/O expansion adapter" on page 922
- "Installing an I/O expansion adapter" on page 923

- **80070301-370202ff : Sensor PEN Inlet Over T has transitioned to non-recoverable from a less severe state.**

The PCIe Expansion Node Inlet temperature has exceeded its specified threshold. The compute node has attempted a soft shutdown.

Severity

Error

Serviceable

Yes

Automatically notify support

No

Alert Category

Critical - Temperature

SNMP Trap ID

0

CIM Information

Prefix: PLAT ID: 0524

User Response

Complete the following steps until the problem is solved:

1. Check the Chassis Management Module or Flex System Manager event log for any fan- or cooling-related issues.
2. Make sure that the airflow at the front and rear of the chassis is not obstructed and that fillers are in place and correctly installed.
3. Make sure that the room temperature is within operating specifications.

- **80070319-2201ffff : Sensor S3 Resume Fail has transitioned to non-recoverable from a less severe state.**

The S3 Resume Fail sesor has transitioned to non-recoverable from less severe.

Severity

Error

Serviceable

Yes

Automatically notify support

No

Alert Category

Critical - Other

SNMP Trap ID

50

CIM Information

Prefix: PLAT ID: 0524

User Response

This is a UEFI detected event. The UEFI diagnostic code for this event can be found in the logged IMM message text. Please refer to the UEFI diagnostic code in the "UEFI diagnostic code" section of the Information Center for the appropriate user response.

Related links

- "Finding the UEFI diagnostic code" on page 824

- **80070401-2c01ffff : Sensor Mezz Exp 1 temp has transitioned to non-critical from a more severe state.**

The previously high temperature of the I/O expansion adapter in I/O expansion connector 1 has returned to below its specified threshold.

Severity

Info

Serviceable

No

Automatically notify support

No

Alert Category

System – Other

SNMP Trap ID

22

CIM Information

Prefix: PLAT ID: 0526

User Response

Information only; no action is required.

- **80070401-2c02ffff : Sensor Mezz Exp 2 temp has transitioned to non-critical from a more severe state.**

The previously high temperature of the I/O expansion adapter in I/O expansion connector 2 has returned to below its specified threshold.

Severity

Info

Serviceable

No

Automatically notify support

No

Alert Category

System – Other

SNMP Trap ID

22

CIM Information

Prefix: PLAT ID: 0526

User Response

Information only; no action is required.

- **80070401-2c03ffff : Sensor PEN MExp 3 Temp has transitioned to non-critical from a more severe state.**

The previously high temperature of the PEN Mezzanine Expansion adapter in I/O expansion connector 3 has returned to below its specified threshold.

Severity

Info

Serviceable

No

Automatically notify support

No

Alert Category

System – Other

SNMP Trap ID

22

CIM Information

Prefix: PLAT ID: 0526

User Response

Information only; no action is required.

- **80070401-2c04ffff : Sensor PEN MExp 4 has transitioned to non-critical from a more severe state.**

The previously high temperature of the PEN Mezzanine Expansion adapter in I/O expansion connector 4 has returned to below its specified threshold.

Severity

Info

Serviceable

No

Automatically notify support

No

Alert Category

System – Other

SNMP Trap ID

22

CIM Information

Prefix: PLAT ID: 0526

User Response

Information only; no action is required.

- **80070601-2c01ffff : Sensor Mezz Exp 1 temp has transitioned to non-recoverable.**

The temperature of the I/O expansion adapter in I/O expansion connector 1 has exceeded its specified threshold. The compute node has attempted a soft shutdown.

Severity

Error

Serviceable

Yes

Automatically notify support

No

Alert Category

Critical - Temperature

SNMP Trap ID

0

CIM Information

Prefix: PLAT ID: 0530

User Response

Complete the following steps until the problem is solved:

1. Check the Chassis Management Module or Flex System Manager event log for any fan- or cooling-related issues.

2. Make sure that the airflow at the front and rear of the chassis is not obstructed and that fillers are in place and correctly installed.
3. Make sure that the room temperature is within operating specifications.
4. If there are no other thermal issues, replace the I/O expansion adapter.

- **80070601-2c02ffff : Sensor Mezz Exp 2 temp has transitioned to non-recoverable.**

The temperature of the I/O expansion adapter in I/O expansion connector 2 has exceeded its specified threshold. The compute node has attempted a soft shutdown.

Severity

Error

Serviceable

Yes

Automatically notify support

No

Alert Category

Critical - Temperature

SNMP Trap ID

0

CIM Information

Prefix: PLAT **ID:** 0530

User Response

Complete the following steps until the problem is solved:

1. Check the Chassis Management Module or Flex System Manager event log for any fan- or cooling-related issues.
2. Make sure that the airflow at the front and rear of the chassis is not obstructed and that fillers are in place and correctly installed.
3. Make sure that the room temperature is within operating specifications.
4. If there are no other thermal issues, replace the I/O expansion adapter.

- **80070601-2c03ffff : Sensor PEN MExp 3 Temp has transitioned to non-recoverable.**

The temperature of the PEN Mezzanine Expansion adapter in I/O expansion connector 3 has exceeded its specified threshold. The compute node has attempted a soft shutdown.

Severity

Error

Serviceable

Yes

Automatically notify support

No

Alert Category

Critical - Temperature

SNMP Trap ID

0

CIM Information

Prefix: PLAT ID: 0530

User Response

Complete the following steps until the problem is solved:

1. Check the Chassis Management Module or Flex System Manager event log for any fan- or cooling-related issues.
2. Make sure that the airflow at the front and rear of the chassis is not obstructed and that fillers are in place and correctly installed.
3. Make sure that the room temperature is within operating specifications.
4. If there are no other thermal issues, replace the I/O expansion adapter.

- **80070601-2c04ffff : Sensor PEN MExp 4 Temp has transitioned to non-recoverable.**

The temperature of the I/O expansion adapter in I/O expansion connector 4 has exceeded its specified threshold. The compute node has attempted a soft shutdown.

Severity

Error

Serviceable

Yes

Automatically notify support

No

Alert Category

Critical - Temperature

SNMP Trap ID

0

CIM Information

Prefix: PLAT ID: 0530

User Response

Complete the following steps until the problem is solved:

1. Check the Chassis Management Module or Flex System Manager event log for any fan- or cooling-related issues.
2. Make sure that the airflow at the front and rear of the chassis is not obstructed and that fillers are in place and correctly installed.
3. Make sure that the room temperature is within operating specifications.
4. If there are no other thermal issues, replace the I/O expansion adapter.

- **8007060f-2201ffff : Sensor BOFM Config Err has transitioned to non-recoverable.**

UEFI cannot read the fabric manager configuration from the IMM.

Severity

Error

Serviceable

Yes

Automatically notify support

No

Alert Category

Critical - Other

SNMP Trap ID

50

CIM Information

Prefix: PLAT ID: 0530

User Response

This is a UEFI detected event. The UEFI diagnostic code for this event can be found in the logged IMM message text. Please refer to the UEFI diagnostic code in the "UEFI diagnostic code" section of the Information Center for the appropriate user response.

Related links

- "Finding the UEFI diagnostic code" on page 824

- **80070614-2201ffff : Sensor TPM Phy Pres Set has transitioned to non-recoverable.**

Trusted Platform Module (TPM) initialization error.

Severity

Error

Serviceable

Yes

Automatically notify support

No

Alert Category

Critical - Other

SNMP Trap ID

50

CIM Information

Prefix: PLAT ID: 0530

User Response

This is a UEFI detected event. The UEFI diagnostic code for this event can be found in the logged IMM message text. Please refer to the UEFI diagnostic code in the "UEFI diagnostic code" section of the Information Center for the appropriate user response.

Related links

- "Finding the UEFI diagnostic code" on page 824

- **80070617-2c01ffff : Sensor Mezz Exp 1 Fault has transitioned to non-recoverable.**

A problem has been detected in the I/O expansion adapter in I/O expansion connector 1. The adapter is unable to initialize.

Severity

Error

Serviceable

Yes

Automatically notify support

No

Alert Category

Critical - Other

SNMP Trap ID

50

CIM Information

Prefix: PLAT ID: 0530

User Response

Complete the following steps:

1. Remove the I/O expansion adapter in I/O expansion connector 1.
2. Try to power on the chassis.
 - If the chassis successfully powers on, complete the following steps:
 - a. Check the ServerProven website to make sure that recently installed components are compatible with the chassis.
 - b. Inspect the previously installed components for physical damage.
 - If the chassis does not successfully power on or if this is not the first occurrence of this problem, replace the I/O expansion adapter.

• **80070617-2c02ffff : Sensor Mezz Exp 2 Fault has transitioned to non-recoverable.**

A problem was detected in the I/O expansion adapter in I/O expansion connector 2. The adapter is unable to initialize.

Severity

Error

Serviceable

Yes

Automatically notify support

No

Alert Category

Critical - Other

SNMP Trap ID

50

CIM Information

Prefix: PLAT ID: 0530

User Response

Complete the following steps:

1. Remove the I/O expansion adapter in I/O expansion connector 2.
2. Try to power on the chassis.
 - If the chassis successfully powers on, complete the following steps:
 - a. Check the ServerProven website to make sure that recently installed components are compatible with the chassis.
 - b. Inspect the previously installed components for physical damage.
 - If the chassis does not successfully power on or if this is not the first occurrence of this problem, replace the I/O expansion adapter.

- **80080017-0f01ffff : Device SAS BP has been removed from unit [PhysicalPackageElementName].**

The SAS backplane has been removed.

Severity

Info

Serviceable

No

Automatically notify support

No

Alert Category

System - Other

SNMP Trap ID

CIM Information

Prefix: PLAT **ID:** 0537

User Response

Install the SAS backplane.

- **8008010f-2101ffff : Device [LogicalDeviceElementName] has been added.**

The physical presence jumper has been installed in the compute node.

Severity

Info

Serviceable

No

Automatically notify support

No

Alert Category

System - Other

SNMP Trap ID

CIM Information

Prefix: PLAT **ID:** 0536

User Response

Information only; no action is required.

- **80080128-2101ffff : Device [LogicalDeviceElementName] has been added.**

The specified device has been installed in the compute node.

Severity

Info

Serviceable

No

Automatically notify support

No

Alert Category

System - Other

SNMP Trap ID**CIM Information**

Prefix: PLAT ID: 0536

User Response

Information only; no action is required.

- **8009000c-0701ffff : Device Performance Mode has been disabled.**

The user has switched from Performance mode to Acoustic mode.

Severity

Info

Serviceable

No

Automatically notify support

No

Alert Category

System - Other

SNMP Trap ID**CIM Information**

Prefix: PLAT ID: 0539

User Response

Information only; no action is required.

- **8009010c-0701ffff : Device Performance Mode has been enabled.**

The user has switched from Acoustic mode to Performance mode.

Severity

Info

Serviceable

No

Automatically notify support

No

Alert Category

System - Other

SNMP Trap ID

CIM Information

Prefix: PLAT ID: 0538

User Response

Information only; no action is required.

- **80090112-2101ffff : Device [LogicalDeviceElementName] has been enabled.**

An IPMI or SNMP Account has been enabled.

Severity

Info

Serviceable

No

Automatically notify support

No

Alert Category

System - Other

SNMP Trap ID

CIM Information

Prefix: PLAT ID: 0538

User Response

Information only; no action required.

- **800b010c-2581ffff : Redundancy Lost for Backup Memory has asserted.**

Redundancy lost for backup memory.

Severity

Error

Serviceable

Yes

Automatically notify support

No

Alert Category

Critical - Memory

SNMP Trap ID

41

CIM Information

Prefix: PLAT ID: 0802

User Response

This is a UEFI detected event. To find the UEFI diagnostic code for this event, in the information center, follow the instructions in "Finding the UEFI diagnostic code" under "UEFI diagnostic codes." Then, in the information center, open the topic for the UEFI diagnostic code and follow the instructions under "User response."

Related links

- "Finding the UEFI diagnostic code" on page 824

- **800b030c-2581ffff : Non-redundant:Sufficient Resources from Redundancy Degraded or Fully Redundant for Backup Memory has asserted.**

Backup Memory has transitioned from Redundancy Degraded or Fully Redundant to Non-redundant.

Severity

Warning

Serviceable

Yes

Automatically notify support

No

Alert Category

Warning - Memory

SNMP Trap ID

43

CIM Information

Prefix: PLAT ID: 0806

User Response

This is a UEFI detected event. To find the UEFI diagnostic code for this event, in the information center, follow the instructions in "Finding the UEFI diagnostic code" under "UEFI diagnostic codes." Then, in the information center, open the topic for the UEFI diagnostic code and follow the instructions under "User response."

Related links

- "Finding the UEFI diagnostic code" on page 824

- **800b050c-2581ffff : Non-redundant:Insufficient Resources for Backup Memory has asserted.**

There are insufficient resources for the Backup Memory to have redundancy.

Severity

Error

Serviceable

Yes

Automatically notify support

No

Alert Category

Critical - Memory

SNMP Trap ID

41

CIM Information

Prefix: PLAT ID: 0810

User Response

This is a UEFI detected event. To find the UEFI diagnostic code for this event, in the information center, follow the instructions in "Finding the UEFI diagnostic code" under "UEFI diagnostic codes." Then, in the information center, open the topic for the UEFI diagnostic code and follow the instructions under "User response."

Related links

- "Finding the UEFI diagnostic code" on page 824

- **806f0007-0301ffff : CPU 1 has Failed with IERR.**

A Processor Internal Error (IERR) Condition has been detected for CPU 1.

Severity

Error

Serviceable

Yes

Automatically notify support

No

Alert Category

Critical - CPU

SNMP Trap ID

40

CIM Information

Prefix: PLAT ID: 0042

User Response

This is a UEFI detected event. To find the UEFI diagnostic code for this event, in the information center, follow the instructions in "Finding the UEFI diagnostic code" under "UEFI diagnostic codes." Then, in the information center, open the topic for the UEFI diagnostic code and follow the instructions under "User response."

Related links

- "Finding the UEFI diagnostic code" on page 824

- **806f0007-0302ffff : CPU 2 has Failed with IERR.**

A Processor Internal Error (IERR) Condition has been detected for CPU 2.

Severity

Error

Serviceable

Yes

Automatically notify support

No

Alert Category

Critical - CPU

SNMP Trap ID

40

CIM Information

Prefix: PLAT ID: 0042

User Response

This is a UEFI detected event. To find the UEFI diagnostic code for this event, in the information center, follow the instructions in "Finding the UEFI diagnostic code" under "UEFI diagnostic codes." Then, in the information center, open the topic for the UEFI diagnostic code and follow the instructions under "User response."

Related links

- "Finding the UEFI diagnostic code" on page 824

- **806f0007-2584ffff : [ProcessorElementName] has Failed with IERR.**

A Processor Internal Error (IERR) Condition has been detected for All CPUs or One of CPUs.

Severity

Error

Serviceable

Yes

Automatically notify support

No

Alert Category

Critical - CPU

SNMP Trap ID

40

CIM Information

Prefix: PLAT ID: 0042

User Response

This is a UEFI detected event. To find the UEFI diagnostic code for this event, in the information center, follow the instructions in "Finding the UEFI diagnostic code" under "UEFI diagnostic codes." Then, in the information center, open the topic for the UEFI diagnostic code and follow the instructions under "User response."

Related links

- "Finding the UEFI diagnostic code" on page 824

- **806f0009-0701ffff : [PowerSupplyElementName] has been turned off.**

The compute node has been powered off.

Severity

Info

Serviceable

No

Automatically notify support

No

Alert Category

System - Power Off

SNMP Trap ID

23

CIM Information

Prefix: PLAT ID: 0106

User Response

Information only; no action is required.

- **806f000d-0400ffff : The Drive Drive 0 has been added.**

Hard disk drive 0 has been installed.

Severity

Info

Serviceable

No

Automatically notify support

No

Alert Category

System - Other

SNMP Trap ID

22

CIM Information

Prefix: PLAT ID: 0162

User Response

Information only; no action is required.

- **806f000d-0401ffff : The Drive Drive 1 has been added.**

Hard disk drive 1 has been installed.

Severity

Info

Serviceable

No

Automatically notify support

No

Alert Category

System - Other

SNMP Trap ID

22

CIM Information

Prefix: PLAT ID: 0162

User Response

Information only; no action is required.

- **806f000d-0402ffff : The Drive Drive 2 has been added.**

Hard disk drive 2 has been installed.

Severity

Info

Serviceable

No

Automatically notify support

No

Alert Category

System - Other

SNMP Trap ID

22

CIM Information

Prefix: PLAT ID: 0162

User Response

Information only; no action is required.

- **806f000d-0403ffff : The Drive Drive 3 has been added.**

Hard disk drive 3 has been installed.

Severity

Info

Serviceable

No

Automatically notify support

No

Alert Category

System - Other

SNMP Trap ID

22

CIM Information

Prefix: PLAT ID: 0162

User Response

Information only; no action is required.

- **806f000d-0404ffff : The Drive Drive 4 has been added.**

Hard disk drive 4 has been installed.

Severity

Info

Serviceable

No

Automatically notify support

No

Alert Category

System - Other

SNMP Trap ID

22

CIM Information

Prefix: PLAT ID: 0162

User Response

Information only; no action is required.

- **806f000d-0405ffff : The Drive Drive 5 has been added.**

Hard disk drive 5 has been installed.

Severity

Info

Serviceable

No

Automatically notify support

No

Alert Category

System - Other

SNMP Trap ID

22

CIM Information

Prefix: PLAT ID: 0162

User Response

Information only; no action is required.

- **806f000d-0406ffff : The Drive Drive 6 has been added.**

Hard disk drive 6 has been installed.

Severity

Info

Serviceable

No

Automatically notify support

No

Alert Category

System - Other

SNMP Trap ID

22

CIM Information**Prefix:** PLAT ID: 0162**User Response**

Information only; no action is required.

- **806f000d-0407ffff : The Drive Drive 7 has been added.**

Hard disk drive 7 has been installed.

Severity

Info

Serviceable

No

Automatically notify support

No

Alert Category

System - Other

SNMP Trap ID

22

CIM Information**Prefix:** PLAT ID: 0162**User Response**

Information only; no action is required.

- **806f000d-0408ffff : The SDRAID Drive 1 has been added.**

SDRAID Drive 1 has been installed.

Severity

Info

Serviceable

No

Automatically notify support

No

Alert Category

System - Other

SNMP Trap ID

22

CIM Information**Prefix:** PLAT ID: 0162**User Response**

Information only; no action is required.

- **806f000d-0409ffff : The SDRAID Drive 2 has been added.**

SDRAID Drive 2 has been installed.

Severity

Info

Serviceable

No

Automatically notify support

No

Alert Category

System - Other

SNMP Trap ID

22

CIM Information

Prefix: PLAT ID: 0162

User Response

Information only; no action is required.

- **806f000d-040affff : The SDRAID Drive 3 has been added.**

SDRAID Drive 3 has been installed.

Severity

Info

Serviceable

No

Automatically notify support

No

Alert Category

System - Other

SNMP Trap ID

22

CIM Information

Prefix: PLAT ID: 0162

User Response

Information only; no action is required.

- **806f000d-040bffff : The SDRAID Drive 4 has been added.**

SDRAID Drive 4 has been installed.

Severity

Info

Serviceable

No

Automatically notify support

No

Alert Category

System - Other

SNMP Trap ID

22

CIM Information

Prefix: PLAT ID: 0162

User Response

Information only; no action is required.

- **806f000d-040cffff : The SDRAID Drive 5 has been added.**

SDRAID Drive 5 has been installed.

Severity

Info

Serviceable

No

Automatically notify support

No

Alert Category

System - Other

SNMP Trap ID

22

CIM Information

Prefix: PLAT ID: 0162

User Response

Information only; no action is required.

- **806f000d-040dffff : The SDRAID Drive 6 has been added.**

SDRAID Drive 6 has been installed.

Severity

Info

Serviceable

No

Automatically notify support

No

Alert Category

System - Other

SNMP Trap ID

22

CIM Information

Prefix: PLAT ID: 0162

User Response

Information only; no action is required.

- **806f000d-040effff : The SDRAID Drive 7 has been added.**

SDRAID Drive 7 has been installed.

Severity

Info

Serviceable

No

Automatically notify support

No

Alert Category

System - Other

SNMP Trap ID

22

CIM Information

Prefix: PLAT ID: 0162

User Response

Information only; no action is required.

- **806f000d-040fffff : The SDRAID Drive 8 has been added.**

SDRAID Drive 8 has been installed.

Severity

Info

Serviceable

No

Automatically notify support

No

Alert Category

System - Other

SNMP Trap ID

22

CIM Information

Prefix: PLAT ID: 0162

User Response

Information only; no action is required.

- **806f000d-0410ffff : The SDRAID Drive 9 has been added.**

SDRAID Drive 9 has been installed.

Severity

Info

Serviceable

No

Automatically notify support

No

Alert Category

System - Other

SNMP Trap ID

22

CIM Information

Prefix: PLAT ID: 0162

User Response

Information only; no action is required.

- **806f000d-0411ffff : The SDRAID Drive 10 has been added.**

SDRAID Drive 10 has been installed.

Severity

Info

Serviceable

No

Automatically notify support

No

Alert Category

System - Other

SNMP Trap ID

22

CIM Information

Prefix: PLAT ID: 0162

User Response

Information only; no action is required.

- **806f000d-0412ffff : The SDRAID Drive 11 has been added.**

SDRAID Drive 11 has been installed.

Severity

Info

Serviceable

No

Automatically notify support

No

Alert Category

System - Other

SNMP Trap ID

22

CIM Information

Prefix: PLAT ID: 0162

User Response

Information only; no action is required.

- **806f000d-0413ffff : The SDRAID Drive 12 has been added.**

SDRAID Drive 12 has been installed.

Severity

Info

Serviceable

No

Automatically notify support

No

Alert Category

System - Other

SNMP Trap ID

22

CIM Information

Prefix: PLAT ID: 0162

User Response

Information only; no action is required.

- **806f000d-0414ffff : The SDRAID Drive 13 has been added.**

SDRAID Drive 13 has been installed.

Severity

Info

Serviceable

No

Automatically notify support

No

Alert Category

System - Other

SNMP Trap ID

22

CIM Information

Prefix: PLAT ID: 0162

User Response

Information only; no action is required.

- **806f000d-0415ffff : The SDRAID Drive 14 has been added.**

SDRAID Drive 14 has been installed.

Severity

Info

Serviceable

No

Automatically notify support

No

Alert Category

System - Other

SNMP Trap ID

22

CIM Information

Prefix: PLAT ID: 0162

User Response

Information only; no action is required.

- **806f000d-0416ffff : The SDRAID Drive 15 has been added.**

SDRAID Drive 15 has been installed.

Severity

Info

Serviceable

No

Automatically notify support

No

Alert Category

System - Other

SNMP Trap ID

22

CIM Information

Prefix: PLAT ID: 0162

User Response

Information only; no action is required.

- **806f000d-0417ffff : The SDRAID Drive 16 has been added.**

SDRAID Drive 16 has been installed.

Severity

Info

Serviceable

No

Automatically notify support

No

Alert Category

System - Other

SNMP Trap ID

22

CIM Information**Prefix:** PLAT ID: 0162**User Response**

Information only; no action is required.

- **806f000f-220100ff : The System [ComputerSystemElementName] encountered a POST Error.**

A Post Error has been detected.

Severity

Error

Serviceable

Yes

Automatically notify support

No

Alert Category

Critical - Other

SNMP Trap ID

50

CIM Information**Prefix:** PLAT ID: 0184**User Response**

This is a UEFI detected event. The UEFI diagnostic code for this event can be found in the logged IMM message text. Please refer to the UEFI diagnostic code in the "UEFI diagnostic code" section of the Information Center for the appropriate user response.

Related links

- "Finding the UEFI diagnostic code" on page 824

- **806f000f-220101ff : The System [ComputerSystemElementName] has detected no memory in the system.**

No memory was detected in the system.

Severity

Error

Serviceable

Yes

Automatically notify support

No

Alert Category

Critical - Memory

SNMP Trap ID

41

CIM Information

Prefix: PLAT ID: 0794

User Response

This is a UEFI detected event. To find the UEFI diagnostic code for this event, in the information center, follow the instructions in "Finding the UEFI diagnostic code" under "UEFI diagnostic codes." Then, in the information center, open the topic for the UEFI diagnostic code and follow the instructions under "User response."

Related links

- "Finding the UEFI diagnostic code" on page 824

- **806f000f-220102ff : Subsystem [MemoryElementName] has insufficient memory for operation.**

The usable Memory is insufficient for operation.

Severity

Error

Serviceable

Yes

Automatically notify support

No

Alert Category

Critical - Memory

SNMP Trap ID

41

CIM Information

Prefix: PLAT ID: 0132

User Response

This is a UEFI detected event. The UEFI diagnostic code for this event can be found in the logged IMM message text. Please refer to the UEFI diagnostic code in the "UEFI diagnostic code" section of the Information Center for the appropriate user response.

Related links

- "Finding the UEFI diagnostic code" on page 824

- **806f000f-220103ff : The System [ComputerSystemElementName] encountered firmware error - unrecoverable boot device failure.**

A System Firmware Error Unrecoverable boot device failure has occurred.

Severity

Error

Serviceable

Yes

Automatically notify support

No

Alert Category

Critical - Hard Disk drive

SNMP Trap ID

5

CIM Information**Prefix:** PLAT **ID:** 0770**User Response**

ABR Status : Firmware Error : This is a UEFI detected event. To find the UEFI diagnostic code for this event, in the information center, follow the instructions in "Finding the UEFI diagnostic code" under "UEFI diagnostic codes." Then, in the information center, open the topic for the UEFI diagnostic code and follow the instructions under "User response."

Related links

- "Finding the UEFI diagnostic code" on page 824

- **806f000f-220104ff : The System [ComputerSystemElementName]has encountered a motherboard failure.**

A fatal motherboard failure has been detected in the system due to ABR Status or Firmware Error.

Severity

Error

Serviceable

Yes

Automatically notify support

No

Alert Category

Critical - Other

SNMP Trap ID

50

CIM Information**Prefix:** PLAT **ID:** 0795**User Response**

This is a UEFI detected event. To find the UEFI diagnostic code for this event, in the information center, follow the instructions in "Finding the UEFI diagnostic code" under "UEFI diagnostic codes." Then, in the information center, open the topic for the UEFI diagnostic code and follow the instructions under "User response."

Related links

- "Finding the UEFI diagnostic code" on page 824

- **806f000f-220107ff : The System [ComputerSystemElementName] encountered firmware error - unrecoverable keyboard failure.**

A System Firmware Error Unrecoverable Keyboard failure has occurred.

Severity

Error

Serviceable

Yes

Automatically notify support

No

Alert Category

Critical - Other

SNMP Trap ID

50

CIM Information

Prefix: PLAT ID: 0764

User Response

This is a UEFI detected event. To find the UEFI diagnostic code for this event, in the information center, follow the instructions in "Finding the UEFI diagnostic code" under "UEFI diagnostic codes." Then, in the information center, open the topic for the UEFI diagnostic code and follow the instructions under "User response."

Related links

- "Finding the UEFI diagnostic code" on page 824

- **806f000f-22010aff : The System [ComputerSystemElementName] encountered firmware error - no video device detected.**

A system firmware error No video device detected has occurred.

Severity

Error

Serviceable

Yes

Automatically notify support

No

Alert Category

Critical - Other

SNMP Trap ID

50

CIM Information

Prefix: PLAT ID: 0766

User Response

This is a UEFI detected event. To find the UEFI diagnostic code for this event, in the information center, follow the instructions in "Finding the UEFI diagnostic code" under "UEFI diagnostic codes." Then, in the information center, open the topic for the UEFI diagnostic code and follow the instructions under "User response."

Related links

- "Finding the UEFI diagnostic code" on page 824

- **806f000f-22010bff : Firmware BIOS (ROM) corruption was detected on system [ComputerSystemElementName] during POST.**

Firmware BIOS (ROM) corruption was detected on the system during POST. ABR Status. Firmware Error.

Severity

Error

Serviceable

Yes

Automatically notify support

No

Alert Category

Critical - Other

SNMP Trap ID

50

CIM Information

Prefix: PLAT ID: 0850

User Response

This is a UEFI detected event. To find the UEFI diagnostic code for this event, in the information center, follow the instructions in "Finding the UEFI diagnostic code" under "UEFI diagnostic codes." Then, in the information center, open the topic for the UEFI diagnostic code and follow the instructions under "User response."

Related links

- "Finding the UEFI diagnostic code" on page 824

- **806f000f-22010cff : CPU voltage mismatch detected on [ProcessorElementName].**

A CPU voltage mismatch with the socket voltage has been detected.

Severity

Error

Serviceable

Yes

Automatically notify support

No

Alert Category

Critical - CPU

SNMP Trap ID

40

CIM Information

Prefix: PLAT ID: 0050

User Response

This is a UEFI detected event. To find the UEFI diagnostic code for this event, in the information center, follow the instructions in "Finding the UEFI diagnostic code" under "UEFI diagnostic codes." Then, in the information center, open the topic for the UEFI diagnostic code and follow the instructions under "User response."

Related links

- "Finding the UEFI diagnostic code" on page 824

- **806f000f-2201ffff : The System [ComputerSystemElementName] encountered a POST Error.**
A Post Error has been detected.

Severity
Error

Serviceable
Yes

Automatically notify support
No

Alert Category
Critical - Other

SNMP Trap ID
50

CIM Information
Prefix: PLAT ID: 0184

User Response
This is a UEFI detected event. To find the UEFI diagnostic code for this event, in the information center, follow the instructions in "Finding the UEFI diagnostic code" under "UEFI diagnostic codes." Then, in the information center, open the topic for the UEFI diagnostic code and follow the instructions under "User response."

Related links

- "Finding the UEFI diagnostic code" on page 824

- **806f0013-1701ffff : A diagnostic interrupt has occurred on system [ComputerSystemElementName].**
The user has pressed the NMI button, or the NMI button has malfunctioned.

Severity
Error

Serviceable
Yes

Automatically notify support
No

Alert Category
Critical - Other

SNMP Trap ID
50

CIM Information
Prefix: PLAT ID: 0222

User Response
If the NMI button on the operator information panel has not been pressed, complete the following steps:

1. Make sure that the NMI button is not pressed.
2. Replace the system board.

- **806f0021-22010900 : Fault in slot [PhysicalConnectorSystemElementName] on system [ComputerSystemElementName].**

A fault in a slot has been detected, No Op ROM Space.

Severity

Error

Serviceable

Yes

Automatically notify support

Yes

Alert Category

Critical - Other

SNMP Trap ID

50

CIM Information

Prefix: PLAT **ID:** 0330

User Response

This is a UEFI detected event. To find the UEFI diagnostic code for this event, in the information center, follow the instructions in "Finding the UEFI diagnostic code" under "UEFI diagnostic codes." Then, in the information center, open the topic for the UEFI diagnostic code and follow the instructions under "User response."

Related links

- "Finding the UEFI diagnostic code" on page 824

- **806f0021-22010901 : Fault in slot [PhysicalConnectorSystemElementName] on system [ComputerSystemElementName].**

A fault in a slot has been detected, No Op ROM Space.

Severity

Error

Serviceable

Yes

Automatically notify support

Yes

Alert Category

Critical - Other

SNMP Trap ID

50

CIM Information

Prefix: PLAT **ID:** 0330

User Response

This is a UEFI detected event. To find the UEFI diagnostic code for this event, in the information center, follow the instructions in "Finding the UEFI diagnostic code" under "UEFI diagnostic

codes." Then, in the information center, open the topic for the UEFI diagnostic code and follow the instructions under "User response."

Related links

- "Finding the UEFI diagnostic code" on page 824

- **806f0021-22010902 : Fault in slot [PhysicalConnectorSystemElementName] on system [ComputerSystemElementName].**

A fault in a slot has been detected, No Op ROM Space.

Severity

Error

Serviceable

Yes

Automatically notify support

Yes

Alert Category

Critical - Other

SNMP Trap ID

50

CIM Information

Prefix: PLAT ID: 0330

User Response

This is a UEFI detected event. To find the UEFI diagnostic code for this event, in the information center, follow the instructions in "Finding the UEFI diagnostic code" under "UEFI diagnostic codes." Then, in the information center, open the topic for the UEFI diagnostic code and follow the instructions under "User response."

Related links

- "Finding the UEFI diagnostic code" on page 824

- **806f0021-22010903 : Fault in slot [PhysicalConnectorSystemElementName] on system [ComputerSystemElementName].**

A fault in a slot has been detected, No Op ROM Space.

Severity

Error

Serviceable

Yes

Automatically notify support

Yes

Alert Category

Critical - Other

SNMP Trap ID

50

CIM Information

Prefix: PLAT ID: 0330

User Response

This is a UEFI detected event. To find the UEFI diagnostic code for this event, in the information center, follow the instructions in "Finding the UEFI diagnostic code" under "UEFI diagnostic codes." Then, in the information center, open the topic for the UEFI diagnostic code and follow the instructions under "User response."

Related links

- "Finding the UEFI diagnostic code" on page 824

- **806f0021-22010904 : Fault in slot [PhysicalConnectorSystemElementName] on system [ComputerSystemElementName].**

A fault in a slot has been detected, No Op ROM Space.

Severity

Error

Serviceable

Yes

Automatically notify support

Yes

Alert Category

Critical - Other

SNMP Trap ID

50

CIM Information

Prefix: PLAT ID: 0330

User Response

This is a UEFI detected event. To find the UEFI diagnostic code for this event, in the information center, follow the instructions in "Finding the UEFI diagnostic code" under "UEFI diagnostic codes." Then, in the information center, open the topic for the UEFI diagnostic code and follow the instructions under "User response."

Related links

- "Finding the UEFI diagnostic code" on page 824

- **806f0021-2201ffff : Fault in slot [PhysicalConnectorSystemElementName] on system [ComputerSystemElementName].**

A fault in a slot has been detected, No Op ROM Space.

Severity

Error

Serviceable

Yes

Automatically notify support

Yes

Alert Category

Critical - Other

SNMP Trap ID

50

CIM Information

Prefix: PLAT ID: 0330

User Response

This is a UEFI detected event. To find the UEFI diagnostic code for this event, in the information center, follow the instructions in "Finding the UEFI diagnostic code" under "UEFI diagnostic codes." Then, in the information center, open the topic for the UEFI diagnostic code and follow the instructions under "User response."

Related links

- "Finding the UEFI diagnostic code" on page 824

- **806f0021-25820900 : Fault in slot [PhysicalConnectorSystemElementName] on system [ComputerSystemElementName].**

A fault in a slot has been detected, PCIe Error.

Severity

Error

Serviceable

Yes

Automatically notify support

Yes

Alert Category

Critical - Other

SNMP Trap ID

50

CIM Information

Prefix: PLAT ID: 0330 0330

User Response

This is a UEFI detected event. To find the UEFI diagnostic code for this event, in the information center, follow the instructions in "Finding the UEFI diagnostic code" under "UEFI diagnostic codes." Then, in the information center, open the topic for the UEFI diagnostic code and follow the instructions under "User response."

Related links

- "Finding the UEFI diagnostic code" on page 824

- **806f0021-25820901 : Fault in slot [PhysicalConnectorSystemElementName] on system [ComputerSystemElementName].**

A fault in a slot has been detected, PCIe Error.

Severity

Error

Serviceable

Yes

Automatically notify support

Yes

Alert Category

Critical - Other

SNMP Trap ID

50

CIM Information

Prefix: PLAT ID: 0330

User Response

This is a UEFI detected event. To find the UEFI diagnostic code for this event, in the information center, follow the instructions in "Finding the UEFI diagnostic code" under "UEFI diagnostic codes." Then, in the information center, open the topic for the UEFI diagnostic code and follow the instructions under "User response."

Related links

- "Finding the UEFI diagnostic code" on page 824

- **806f0021-25820902 : Fault in slot [PhysicalConnectorSystemElementName] on system [ComputerSystemElementName].**

A fault in a slot has been detected, PCIe Error.

Severity

Error

Serviceable

Yes

Automatically notify support

Yes

Alert Category

Critical - Other

SNMP Trap ID

50

CIM Information

Prefix: PLAT ID: 0330

User Response

This is a UEFI detected event. To find the UEFI diagnostic code for this event, in the information center, follow the instructions in "Finding the UEFI diagnostic code" under "UEFI diagnostic codes." Then, in the information center, open the topic for the UEFI diagnostic code and follow the instructions under "User response."

Related links

- "Finding the UEFI diagnostic code" on page 824

- **806f0021-25820903 : Fault in slot [PhysicalConnectorSystemElementName] on system [ComputerSystemElementName].**

A fault in a slot has been detected, PCIe Error.

Severity

Error

Serviceable

Yes

Automatically notify support

Yes

Alert Category

Critical - Other

SNMP Trap ID

50

CIM Information

Prefix: PLAT ID: 0330

User Response

This is a UEFI detected event. To find the UEFI diagnostic code for this event, in the information center, follow the instructions in "Finding the UEFI diagnostic code" under "UEFI diagnostic codes." Then, in the information center, open the topic for the UEFI diagnostic code and follow the instructions under "User response."

Related links

- "Finding the UEFI diagnostic code" on page 824

- **806f0021-2582ffff : Fault in slot [PhysicalConnectorSystemElementName] on system [ComputerSystemElementName].**

A fault in a slot has been detected, PCIe Error.

Severity

Error

Serviceable

Yes

Automatically notify support

Yes

Alert Category

Critical - Other

SNMP Trap ID

50

CIM Information

Prefix: PLAT ID: 0330

User Response

This is a UEFI detected event. To find the UEFI diagnostic code for this event, in the information center, follow the instructions in "Finding the UEFI diagnostic code" under "UEFI diagnostic codes." Then, in the information center, open the topic for the UEFI diagnostic code and follow the instructions under "User response."

Related links

- "Finding the UEFI diagnostic code" on page 824

- **806f0023-2101ffff : Watchdog Timer expired for IPMI Watchdog.**

The IPMI watchdog timer has expired.

Severity

Info

Serviceable

No

Automatically notify support

No

Alert Category

System - Other

SNMP Trap ID

CIM Information

Prefix: PLAT ID: 0368

User Response

Information only; no action is required.

- **806f0028-2101ffff : Sensor TPM Cmd Failures is unavailable or degraded on management system [ComputerSystemElementName].**

TPM initialization or start up commands have failed.

Severity

Warning

Serviceable

Yes

Automatically notify support

No

Alert Category

Warning - Other

SNMP Trap ID

60

CIM Information

Prefix: PLAT ID: 0398

User Response

1. Reboot the system.
2. If error persists, or boot is unsuccessful, Replace the system board.

Related links

- “Removing and replacing the system-board assembly” on page 943

- **806f0107-0301ffff : An over-temperature condition has been detected on [ProcessorElementName].**

The temperature of microprocessor 1 has exceeded the critical level, causing a hard shutdown of the compute node.

Severity

Error

Serviceable

Yes

Automatically notify support

No

Alert Category

Critical - Temperature

SNMP Trap ID

0

CIM Information

Prefix: PLAT ID: 0036

User Response

Complete the following steps until the problem is solved:

1. Check the Chassis Management Module or Flex System Manager event log for any fan- or cooling-related issues.
2. Make sure that the airflow at the front and rear of the chassis is not obstructed and that fillers are in place and correctly installed.
3. Make sure that the room temperature is within operating specifications.
4. Make sure that the microprocessor 1 heat sink is securely installed.
5. Make sure that the microprocessor 1 heat sink is installed correctly and the thermal material is correctly applied.
6. Replace microprocessor 1.

Related links

- “Removing a microprocessor and heat sink” on page 931
- “Installing a microprocessor and heat sink” on page 935

- **806f0107-0302ffff : An over-temperature condition has been detected on [ProcessorElementName].**

The temperature of microprocessor 2 has exceeded the critical level, causing a hard shutdown of the compute node.

Severity

Error

Serviceable

Yes

Automatically notify support

No

Alert Category

Critical - Temperature

SNMP Trap ID

0

CIM Information

Prefix: PLAT ID: 0036

User Response

Complete the following steps until the problem is solved:

1. Check the Chassis Management Module or Flex System Manager event log for any fan- or cooling-related issues.
2. Make sure that the airflow at the front and rear of the chassis is not obstructed and that fillers are in place and correctly installed.
3. Make sure that the room temperature is within operating specifications.
4. Make sure that the microprocessor 2 heat sink is securely installed.
5. Make sure that the microprocessor 2 heat sink is installed correctly and the thermal material is correctly applied.
6. Replace microprocessor 2.

Related links

- "Removing a microprocessor and heat sink" on page 931
- "Installing a microprocessor and heat sink" on page 935

- **806f0107-2584ffff : An over-temperature condition has been detected on [ProcessorElementName].**

The temperature of the specified microprocessor has exceeded its specified threshold.

Severity

Error

Serviceable

Yes

Automatically notify support

No

Alert Category

Critical - Temperature

SNMP Trap ID

0

CIM Information

Prefix: PLAT ID: 0036

User Response

Complete the following steps until the problem is solved:

1. Check the Chassis Management Module or Flex System Manager event log for any fan- or cooling-related issues.
2. Make sure that the airflow at the front and rear of the chassis is not obstructed and that fillers are in place and correctly installed.
3. Make sure that the room temperature is within operating specifications.

4. Make sure that the heat sink for the specified microprocessor is securely installed.
5. Make sure that the heat sink for the specified microprocessor is installed correctly and the thermal material is correctly applied.
6. Replace the specified microprocessor.

Related links

- “Removing a microprocessor and heat sink” on page 931
- “Installing a microprocessor and heat sink” on page 935

- **806f0109-0701ffff : [PowerSupplyElementName] has been Power Cycled.**

The compute node has been powered off and powered on.

Severity

Info

Serviceable

No

Automatically notify support

No

Alert Category

System - Other

SNMP Trap ID

CIM Information

Prefix: PLAT ID: 0108

User Response

Information only; no action is required.

- **806f010c-2001ffff : Uncorrectable error detected for DIMM 1 on Subsystem [MemoryElementName].**

An uncorrectable memory error has been detected on DIMM 1.

Severity

Error

Serviceable

Yes

Automatically notify support

Yes

Alert Category

Critical - Memory

SNMP Trap ID

41

CIM Information

Prefix: PLAT ID: 0138

User Response

This is a UEFI detected event. To find the UEFI diagnostic code for this event, in the information center, follow the instructions in "Finding the UEFI diagnostic code" under "UEFI diagnostic codes." Then, in the information center, open the topic for the UEFI diagnostic code and follow the instructions under "User response."

Related links

- "Finding the UEFI diagnostic code" on page 824

- **806f010c-2002ffff : Uncorrectable error detected for DIMM 2 on Subsystem [MemoryElementName].**

An uncorrectable memory error has been detected on DIMM 2.

Severity

Error

Serviceable

Yes

Automatically notify support

Yes

Alert Category

Critical - Memory

SNMP Trap ID

41

CIM Information

Prefix: PLAT **ID:** 0138

User Response

This is a UEFI detected event. To find the UEFI diagnostic code for this event, in the information center, follow the instructions in "Finding the UEFI diagnostic code" under "UEFI diagnostic codes." Then, in the information center, open the topic for the UEFI diagnostic code and follow the instructions under "User response."

Related links

- "Finding the UEFI diagnostic code" on page 824

- **806f010c-2003ffff : Uncorrectable error detected for DIMM 3 on Subsystem [MemoryElementName].**

An uncorrectable memory error has been detected on DIMM 3.

Severity

Error

Serviceable

Yes

Automatically notify support

Yes

Alert Category

Critical - Memory

SNMP Trap ID

41

CIM Information

Prefix: PLAT ID: 0138

User Response

This is a UEFI detected event. To find the UEFI diagnostic code for this event, in the information center, follow the instructions in "Finding the UEFI diagnostic code" under "UEFI diagnostic codes." Then, in the information center, open the topic for the UEFI diagnostic code and follow the instructions under "User response."

Related links

- "Finding the UEFI diagnostic code" on page 824

- **806f010c-2004ffff : Uncorrectable error detected for DIMM 4 on Subsystem [MemoryElementName].**

An uncorrectable memory error has been detected on DIMM 4.

Severity

Error

Serviceable

Yes

Automatically notify support

Yes

Alert Category

Critical - Memory

SNMP Trap ID

41

CIM Information

Prefix: PLAT ID: 0138

User Response

This is a UEFI detected event. To find the UEFI diagnostic code for this event, in the information center, follow the instructions in "Finding the UEFI diagnostic code" under "UEFI diagnostic codes." Then, in the information center, open the topic for the UEFI diagnostic code and follow the instructions under "User response."

Related links

- "Finding the UEFI diagnostic code" on page 824

- **806f010c-2005ffff : Uncorrectable error detected for DIMM 5 on Subsystem [MemoryElementName].**

An uncorrectable memory error has been detected on DIMM 5.

Severity

Error

Serviceable

Yes

Automatically notify support

Yes

Alert Category

Critical - Memory

SNMP Trap ID

41

CIM Information**Prefix:** PLAT ID: 0138**User Response**

This is a UEFI detected event. To find the UEFI diagnostic code for this event, in the information center, follow the instructions in "Finding the UEFI diagnostic code" under "UEFI diagnostic codes." Then, in the information center, open the topic for the UEFI diagnostic code and follow the instructions under "User response."

Related links

- "Finding the UEFI diagnostic code" on page 824

- **806f010c-2006ffff : Uncorrectable error detected for DIMM 6 on Subsystem [MemoryElementName].**

An uncorrectable memory error has been detected on DIMM 6.

Severity

Error

Serviceable

Yes

Automatically notify support

Yes

Alert Category

Critical - Memory

SNMP Trap ID

41

CIM Information**Prefix:** PLAT ID: 0138**User Response**

This is a UEFI detected event. To find the UEFI diagnostic code for this event, in the information center, follow the instructions in "Finding the UEFI diagnostic code" under "UEFI diagnostic codes." Then, in the information center, open the topic for the UEFI diagnostic code and follow the instructions under "User response."

Related links

- "Finding the UEFI diagnostic code" on page 824

- **806f010c-2007ffff : Uncorrectable error detected for DIMM 7 on Subsystem [MemoryElementName].**

An uncorrectable memory error has been detected on DIMM 7.

Severity

Error

Serviceable

Yes

Automatically notify support

Yes

Alert Category

Critical - Memory

SNMP Trap ID

41

CIM Information

Prefix: PLAT ID: 0138

User Response

This is a UEFI detected event. To find the UEFI diagnostic code for this event, in the information center, follow the instructions in "Finding the UEFI diagnostic code" under "UEFI diagnostic codes." Then, in the information center, open the topic for the UEFI diagnostic code and follow the instructions under "User response."

Related links

– "Finding the UEFI diagnostic code" on page 824

- **806f010c-2008ffff : Uncorrectable error detected for DIMM 8 on Subsystem [MemoryElementName].**

An uncorrectable memory error has been detected on DIMM 8.

Severity

Error

Serviceable

Yes

Automatically notify support

Yes

Alert Category

Critical - Memory

SNMP Trap ID

41

CIM Information

Prefix: PLAT ID: 0138

User Response

This is a UEFI detected event. To find the UEFI diagnostic code for this event, in the information center, follow the instructions in "Finding the UEFI diagnostic code" under "UEFI diagnostic codes." Then, in the information center, open the topic for the UEFI diagnostic code and follow the instructions under "User response."

Related links

– "Finding the UEFI diagnostic code" on page 824

- **806f010c-2009ffff : Uncorrectable error detected for DIMM 9 on Subsystem [MemoryElementName].**

An uncorrectable memory error has been detected on DIMM 9.

Severity

Error

Serviceable

Yes

Automatically notify support

Yes

Alert Category

Critical - Memory

SNMP Trap ID

41

CIM Information

Prefix: PLAT ID: 0138

User Response

This is a UEFI detected event. To find the UEFI diagnostic code for this event, in the information center, follow the instructions in "Finding the UEFI diagnostic code" under "UEFI diagnostic codes." Then, in the information center, open the topic for the UEFI diagnostic code and follow the instructions under "User response."

Related links

- "Finding the UEFI diagnostic code" on page 824

- **806f010c-200affff : Uncorrectable error detected for DIMM 10 on Subsystem [MemoryElementName].**

An uncorrectable memory error has been detected on DIMM 10.

Severity

Error

Serviceable

Yes

Automatically notify support

Yes

Alert Category

Critical - Memory

SNMP Trap ID

41

CIM Information

Prefix: PLAT ID: 0138

User Response

This is a UEFI detected event. To find the UEFI diagnostic code for this event, in the information center, follow the instructions in "Finding the UEFI diagnostic code" under "UEFI diagnostic codes." Then, in the information center, open the topic for the UEFI diagnostic code and follow the instructions under "User response."

Related links

- "Finding the UEFI diagnostic code" on page 824

- **806f010c-200bffff : Uncorrectable error detected for DIMM 11 on Subsystem [MemoryElementName].**

An uncorrectable memory error has been detected on DIMM 11.

Severity

Error

Serviceable

Yes

Automatically notify support

Yes

Alert Category

Critical - Memory

SNMP Trap ID

41

CIM Information

Prefix: PLAT ID: 0138

User Response

This is a UEFI detected event. To find the UEFI diagnostic code for this event, in the information center, follow the instructions in "Finding the UEFI diagnostic code" under "UEFI diagnostic codes." Then, in the information center, open the topic for the UEFI diagnostic code and follow the instructions under "User response."

Related links

- "Finding the UEFI diagnostic code" on page 824

- **806f010c-200cffff : Uncorrectable error detected for DIMM 12 on Subsystem [MemoryElementName].**

An uncorrectable memory error has been detected on DIMM 12.

Severity

Error

Serviceable

Yes

Automatically notify support

Yes

Alert Category

Critical - Memory

SNMP Trap ID

41

CIM Information

Prefix: PLAT ID: 0138

User Response

This is a UEFI detected event. To find the UEFI diagnostic code for this event, in the information center, follow the instructions in "Finding the UEFI diagnostic code" under "UEFI diagnostic codes." Then, in the information center, open the topic for the UEFI diagnostic code and follow the instructions under "User response."

Related links

- "Finding the UEFI diagnostic code" on page 824

- **806f010c-200dffff : Uncorrectable error detected for DIMM 13 on Subsystem [MemoryElementName].**

An uncorrectable memory error has been detected on DIMM 13.

Severity

Error

Serviceable

Yes

Automatically notify support

Yes

Alert Category

Critical - Memory

SNMP Trap ID

41

CIM Information

Prefix: PLAT **ID:** 0138

User Response

This is a UEFI detected event. To find the UEFI diagnostic code for this event, in the information center, follow the instructions in "Finding the UEFI diagnostic code" under "UEFI diagnostic codes." Then, in the information center, open the topic for the UEFI diagnostic code and follow the instructions under "User response."

Related links

- "Finding the UEFI diagnostic code" on page 824

- **806f010c-200effff : Uncorrectable error detected for DIMM 14 on Subsystem [MemoryElementName].**

An uncorrectable memory error has been detected on DIMM 14.

Severity

Error

Serviceable

Yes

Automatically notify support

Yes

Alert Category

Critical - Memory

SNMP Trap ID

41

CIM Information

Prefix: PLAT **ID:** 0138

User Response

This is a UEFI detected event. To find the UEFI diagnostic code for this event, in the information center, follow the instructions in "Finding the UEFI diagnostic code" under "UEFI diagnostic

codes." Then, in the information center, open the topic for the UEFI diagnostic code and follow the instructions under "User response."

Related links

- "Finding the UEFI diagnostic code" on page 824

- **806f010c-200ffff : Uncorrectable error detected for DIMM 15 on Subsystem [MemoryElementName].**

An uncorrectable memory error has been detected on DIMM 15.

Severity

Error

Serviceable

Yes

Automatically notify support

Yes

Alert Category

Critical - Memory

SNMP Trap ID

41

CIM Information

Prefix: PLAT ID: 0138

User Response

This is a UEFI detected event. To find the UEFI diagnostic code for this event, in the information center, follow the instructions in "Finding the UEFI diagnostic code" under "UEFI diagnostic codes." Then, in the information center, open the topic for the UEFI diagnostic code and follow the instructions under "User response."

Related links

- "Finding the UEFI diagnostic code" on page 824

- **806f010c-2010ffff : Uncorrectable error detected for DIMM 16 on Subsystem [MemoryElementName].**

An uncorrectable memory error has been detected on DIMM 16.

Severity

Error

Serviceable

Yes

Automatically notify support

Yes

Alert Category

Critical - Memory

SNMP Trap ID

41

CIM Information

Prefix: PLAT ID: 0138

User Response

This is a UEFI detected event. To find the UEFI diagnostic code for this event, in the information center, follow the instructions in "Finding the UEFI diagnostic code" under "UEFI diagnostic codes." Then, in the information center, open the topic for the UEFI diagnostic code and follow the instructions under "User response."

Related links

- "Finding the UEFI diagnostic code" on page 824

- **806f010c-2011ffff : Uncorrectable error detected for DIMM 17 on Subsystem [MemoryElementName].**

An uncorrectable memory error has been detected on DIMM 17.

Severity

Error

Serviceable

Yes

Automatically notify support

Yes

Alert Category

Critical - Memory

SNMP Trap ID

41

CIM Information

Prefix: PLAT ID: 0138

User Response

This is a UEFI detected event. To find the UEFI diagnostic code for this event, in the information center, follow the instructions in "Finding the UEFI diagnostic code" under "UEFI diagnostic codes." Then, in the information center, open the topic for the UEFI diagnostic code and follow the instructions under "User response."

Related links

- "Finding the UEFI diagnostic code" on page 824

- **806f010c-2012ffff : Uncorrectable error detected for DIMM 18 on Subsystem [MemoryElementName].**

An uncorrectable memory error has been detected on DIMM 18.

Severity

Error

Serviceable

Yes

Automatically notify support

Yes

Alert Category

Critical - Memory

SNMP Trap ID

41

CIM Information

Prefix: PLAT ID: 0138

User Response

This is a UEFI detected event. To find the UEFI diagnostic code for this event, in the information center, follow the instructions in "Finding the UEFI diagnostic code" under "UEFI diagnostic codes." Then, in the information center, open the topic for the UEFI diagnostic code and follow the instructions under "User response."

Related links

- "Finding the UEFI diagnostic code" on page 824

- **806f010c-2013ffff : Uncorrectable error detected for DIMM 19 on Subsystem [MemoryElementName].**

An uncorrectable memory error has been detected on DIMM 19.

Severity

Error

Serviceable

Yes

Automatically notify support

Yes

Alert Category

Critical - Memory

SNMP Trap ID

41

CIM Information

Prefix: PLAT ID: 0138

User Response

This is a UEFI detected event. To find the UEFI diagnostic code for this event, in the information center, follow the instructions in "Finding the UEFI diagnostic code" under "UEFI diagnostic codes." Then, in the information center, open the topic for the UEFI diagnostic code and follow the instructions under "User response."

Related links

- "Finding the UEFI diagnostic code" on page 824

- **806f010c-2014ffff : Uncorrectable error detected for DIMM 20 on Subsystem [MemoryElementName].**

An uncorrectable memory error has been detected on DIMM 20.

Severity

Error

Serviceable

Yes

Automatically notify support

Yes

Alert Category

Critical - Memory

SNMP Trap ID

41

CIM Information

Prefix: PLAT ID: 0138

User Response

This is a UEFI detected event. To find the UEFI diagnostic code for this event, in the information center, follow the instructions in "Finding the UEFI diagnostic code" under "UEFI diagnostic codes." Then, in the information center, open the topic for the UEFI diagnostic code and follow the instructions under "User response."

Related links

- "Finding the UEFI diagnostic code" on page 824

- **806f010c-2015ffff : Uncorrectable error detected for DIMM 21 on Subsystem [MemoryElementName].**

An uncorrectable memory error has been detected on DIMM 21.

Severity

Error

Serviceable

Yes

Automatically notify support

Yes

Alert Category

Critical - Memory

SNMP Trap ID

41

CIM Information

Prefix: PLAT ID: 0138

User Response

This is a UEFI detected event. To find the UEFI diagnostic code for this event, in the information center, follow the instructions in "Finding the UEFI diagnostic code" under "UEFI diagnostic codes." Then, in the information center, open the topic for the UEFI diagnostic code and follow the instructions under "User response."

Related links

- "Finding the UEFI diagnostic code" on page 824

- **806f010c-2016ffff : Uncorrectable error detected for DIMM 22 on Subsystem [MemoryElementName].**

An uncorrectable memory error has been detected on DIMM 22.

Severity

Error

Serviceable

Yes

Automatically notify support

Yes

Alert Category

Critical - Memory

SNMP Trap ID

41

CIM Information

Prefix: PLAT ID: 0138

User Response

This is a UEFI detected event. To find the UEFI diagnostic code for this event, in the information center, follow the instructions in "Finding the UEFI diagnostic code" under "UEFI diagnostic codes." Then, in the information center, open the topic for the UEFI diagnostic code and follow the instructions under "User response."

Related links

- "Finding the UEFI diagnostic code" on page 824

- **806f010c-2017ffff : Uncorrectable error detected for DIMM 23 on Subsystem [MemoryElementName].**

An uncorrectable memory error has been detected on DIMM 23.

Severity

Error

Serviceable

Yes

Automatically notify support

Yes

Alert Category

Critical - Memory

SNMP Trap ID

41

CIM Information

Prefix: PLAT ID: 0138

User Response

This is a UEFI detected event. To find the UEFI diagnostic code for this event, in the information center, follow the instructions in "Finding the UEFI diagnostic code" under "UEFI diagnostic codes." Then, in the information center, open the topic for the UEFI diagnostic code and follow the instructions under "User response."

Related links

- "Finding the UEFI diagnostic code" on page 824

- **806f010c-2018ffff : Uncorrectable error detected for DIMM 24 on Subsystem [MemoryElementName].**

An uncorrectable memory error has been detected on DIMM 24.

Severity

Error

Serviceable

Yes

Automatically notify support

Yes

Alert Category

Critical - Memory

SNMP Trap ID

41

CIM Information

Prefix: PLAT ID: 0138

User Response

This is a UEFI detected event. To find the UEFI diagnostic code for this event, in the information center, follow the instructions in "Finding the UEFI diagnostic code" under "UEFI diagnostic codes." Then, in the information center, open the topic for the UEFI diagnostic code and follow the instructions under "User response."

Related links

- "Finding the UEFI diagnostic code" on page 824

- **806f010c-2581ffff : Uncorrectable error detected for [PhysicalMemoryElementName] on Subsystem [MemoryElementName].**

An uncorrectable memory error has been detected.

Severity

Error

Serviceable

Yes

Automatically notify support

Yes

Alert Category

Critical - Memory

SNMP Trap ID

41

CIM Information

Prefix: PLAT ID: 0138

User Response

This is a UEFI detected event. To find the UEFI diagnostic code for this event, in the information center, follow the instructions in "Finding the UEFI diagnostic code" under "UEFI diagnostic codes." Then, in the information center, open the topic for the UEFI diagnostic code and follow the instructions under "User response."

Related links

- "Finding the UEFI diagnostic code" on page 824

- **806f010d-0400ffff : The Drive Drive 0 has been disabled due to a detected fault.**

The hard disk drive controller has detected a fault in hard disk drive 0. Hard disk drive 0 is now defunct.

Severity

Error

Serviceable

Yes

Automatically notify support

Yes

Alert Category

Critical - Hard Disk drive

SNMP Trap ID

5

CIM Information

Prefix: PLAT ID: 0164

User Response

Complete the following steps until the problem is solved:

1. Check the Support Portal for service bulletins and RETAIN tips related to your drive.
2. Check the Support Portal for firmware updates related to your drive.
3. Replace the drive.
4. Check for any other RAID-related errors.

- **806f010d-0401ffff : The Drive Drive 1 has been disabled due to a detected fault.**

The hard disk drive controller has detected a fault in hard disk drive 1. Hard disk drive 1 is now defunct.

Severity

Error

Serviceable

Yes

Automatically notify support

Yes

Alert Category

Critical - Hard Disk drive

SNMP Trap ID

5

CIM Information

Prefix: PLAT ID: 0164

User Response

Complete the following steps until the problem is solved:

1. Check the Support Portal for service bulletins and RETAIN tips related to your drive.
2. Check the Support Portal for firmware updates related to your drive.
3. Replace the drive.
4. Check for any other RAID-related errors.

- **806f010d-0402ffff : The Drive Drive 2 has been disabled due to a detected fault.**

The hard disk drive controller has detected a fault in hard disk drive 2. Hard disk drive 2 is now defunct.

Severity

Error

Serviceable

Yes

Automatically notify support

Yes

Alert Category

Critical - Hard Disk drive

SNMP Trap ID

5

CIM Information

Prefix: PLAT ID: 0164

User Response

Complete the following steps until the problem is solved:

1. Check the Support Portal for service bulletins and RETAIN tips related to your drive.
2. Check the Support Portal for firmware updates related to your drive.
3. Replace the drive.
4. Check for any other RAID-related errors.

- **806f010d-0403ffff : The Drive Drive 3 has been disabled due to a detected fault.**

The hard disk drive controller has detected a fault in hard disk drive 3. Hard disk drive 3 is now defunct.

Severity

Error

Serviceable

Yes

Automatically notify support

Yes

Alert Category

Critical - Hard Disk drive

SNMP Trap ID

CIM Information

Prefix: PLAT ID: 0164

User Response

Complete the following steps until the problem is solved:

1. Check the Support Portal for service bulletins and RETAIN tips related to your drive.
2. Check the Support Portal for firmware updates related to your drive.
3. Replace the drive.
4. Check for any other RAID-related errors.

- **806f010d-0404ffff : The Drive Drive 4 has been disabled due to a detected fault.**

The hard disk drive controller has detected a fault in hard disk drive 4. Hard disk drive 4 is now defunct.

Severity

Error

Serviceable

Yes

Automatically notify support

Yes

Alert Category

Critical - Hard Disk drive

SNMP Trap ID

5

CIM Information

Prefix: PLAT ID: 0164

User Response

Complete the following steps until the problem is solved:

1. Check the Support Portal for service bulletins and RETAIN tips related to your drive.
2. Check the Support Portal for firmware updates related to your drive.
3. Replace the drive.
4. Check for any other RAID-related errors.

- **806f010d-0405ffff : The Drive Drive 5 has been disabled due to a detected fault.**

The hard disk drive controller has detected a fault in hard disk drive 5. Hard disk drive 5 is now defunct.

Severity

Error

Serviceable

Yes

Automatically notify support

Yes

Alert Category

Critical - Hard Disk drive

SNMP Trap ID

5

CIM Information**Prefix:** PLAT **ID:** 0164**User Response**

Complete the following steps until the problem is solved:

1. Check the Support Portal for service bulletins and RETAIN tips related to your drive.
2. Check the Support Portal for firmware updates related to your drive.
3. Replace the drive.
4. Check for any other RAID-related errors.

- **806f010d-0406ffff : The Drive Drive 6 has been disabled due to a detected fault.**

The hard disk drive controller has detected a fault in hard disk drive 6. Hard disk drive 6 is now defunct.

Severity

Error

Serviceable

Yes

Automatically notify support

Yes

Alert Category

Critical - Hard Disk drive

SNMP Trap ID

5

CIM Information**Prefix:** PLAT **ID:** 0164**User Response**

Complete the following steps until the problem is solved:

1. Check the Support Portal for service bulletins and RETAIN tips related to your drive.
2. Check the Support Portal for firmware updates related to your drive.
3. Replace the drive.
4. Check for any other RAID-related errors.

- **806f010d-0407ffff : The Drive Drive 7 has been disabled due to a detected fault.**

The hard disk drive controller has detected a fault in hard disk drive 7. Hard disk drive 7 is now defunct.

Severity

Error

Serviceable

Yes

Automatically notify support

Yes

Alert Category

Critical - Hard Disk drive

SNMP Trap ID

5

CIM Information

Prefix: PLAT ID: 0164

User Response

Complete the following steps until the problem is solved:

1. Check the Support Portal for service bulletins and RETAIN tips related to your drive.
2. Check the Support Portal for firmware updates related to your drive.
3. Replace the drive.
4. Check for any other RAID-related errors.

- **806f010d-0408ffff : The [StorageVolumeElementName] has been disabled due to a detected fault.**

The disk drive controller has detected a fault in disk drive 1. Disk drive 1 is now defunct.

Severity

Error

Serviceable

Yes

Automatically notify support

Yes

Alert Category

Critical - Hard Disk drive

SNMP Trap ID

5

CIM Information

Prefix: PLAT ID: 0164

User Response

Complete the following steps until the problem is solved:

1. Check the Support Portal for service bulletins and RETAIN tips related to your drive.
2. Check the Support Portal for firmware updates related to your drive.
3. Replace the drive.
4. Check for any other RAID-related errors.

- **806f010d-0409ffff : The [StorageVolumeElementName] has been disabled due to a detected fault.**

The disk drive controller has detected a fault in disk drive 2. Disk drive 2 is now defunct.

Severity

Error

Serviceable

Yes

Automatically notify support

Yes

Alert Category

Critical - Hard Disk drive

SNMP Trap ID

5

CIM Information

Prefix: PLAT ID: 0164

User Response

Complete the following steps until the problem is solved:

1. Check the Support Portal for service bulletins and RETAIN tips related to your drive.
2. Check the Support Portal for firmware updates related to your drive.
3. Replace the drive.
4. Check for any other RAID-related errors.

- **806f010d-040affff : The [StorageVolumeElementName] has been disabled due to a detected fault.**

The disk drive controller has detected a fault in disk drive 3. Disk drive 3 is now defunct.

Severity

Error

Serviceable

Yes

Automatically notify support

Yes

Alert Category

Critical - Hard Disk drive

SNMP Trap ID

5

CIM Information

Prefix: PLAT ID: 0164

User Response

Complete the following steps until the problem is solved:

1. Check the Support Portal for service bulletins and RETAIN tips related to your drive.
2. Check the Support Portal for firmware updates related to your drive.
3. Replace the drive.
4. Check for any other RAID-related errors.

- **806f010d-040bffff : The [StorageVolumeElementName] has been disabled due to a detected fault.**

The disk drive controller has detected a fault in disk drive 4. Disk drive 4 is now defunct.

Severity

Error

Serviceable

Yes

Automatically notify support

Yes

Alert Category

Critical - Hard Disk drive

SNMP Trap ID

5

CIM Information

Prefix: PLAT ID: 0164

User Response

Complete the following steps until the problem is solved:

1. Check the Support Portal for service bulletins and RETAIN tips related to your drive.
2. Check the Support Portal for firmware updates related to your drive.
3. Replace the drive.
4. Check for any other RAID-related errors.

- **806f010d-040cffff : The [StorageVolumeElementName] has been disabled due to a detected fault.**

The disk drive controller has detected a fault in disk drive 5. Disk drive 5 is now defunct.

Severity

Error

Serviceable

Yes

Automatically notify support

Yes

Alert Category

Critical - Hard Disk drive

SNMP Trap ID

5

CIM Information

Prefix: PLAT ID: 0164

User Response

Complete the following steps until the problem is solved:

1. Check the Support Portal for service bulletins and RETAIN tips related to your drive.
2. Check the Support Portal for firmware updates related to your drive.
3. Replace the drive.
4. Check for any other RAID-related errors.

- **806f010d-040dffff : The [StorageVolumeElementName] has been disabled due to a detected fault.**

The disk drive controller has detected a fault in disk drive 6. Disk drive 6 is now defunct.

Severity

Error

Serviceable

Yes

Automatically notify support

Yes

Alert Category

Critical - Hard Disk drive

SNMP Trap ID

5

CIM Information

Prefix: PLAT ID: 0164

User Response

Complete the following steps until the problem is solved:

1. Check the Support Portal for service bulletins and RETAIN tips related to your drive.
2. Check the Support Portal for firmware updates related to your drive.
3. Replace the drive.
4. Check for any other RAID-related errors.

- **806f010d-040effff : The [StorageVolumeElementName] has been disabled due to a detected fault.**

The disk drive controller has detected a fault in disk drive 7. Disk drive 7 is now defunct.

Severity

Error

Serviceable

Yes

Automatically notify support

Yes

Alert Category

Critical - Hard Disk drive

SNMP Trap ID

5

CIM Information

Prefix: PLAT ID: 0164

User Response

Complete the following steps until the problem is solved:

1. Check the Support Portal for service bulletins and RETAIN tips related to your drive.
2. Check the Support Portal for firmware updates related to your drive.
3. Replace the drive.
4. Check for any other RAID-related errors.

- **806f010d-040fffff : The [StorageVolumeElementName] has been disabled due to a detected fault.**

The disk drive controller has detected a fault in disk drive 8. Disk drive 8 is now defunct.

Severity

Error

Serviceable

Yes

Automatically notify support

Yes

Alert Category

Critical - Hard Disk drive

SNMP Trap ID

5

CIM Information

Prefix: PLAT ID: 0164

User Response

Complete the following steps until the problem is solved:

1. Check the Support Portal for service bulletins and RETAIN tips related to your drive.
2. Check the Support Portal for firmware updates related to your drive.
3. Replace the drive.
4. Check for any other RAID-related errors.

- **806f010d-0410ffff : The [StorageVolumeElementName] has been disabled due to a detected fault.**

The disk drive controller has detected a fault in disk drive 9. Disk drive 9 is now defunct.

Severity

Error

Serviceable

Yes

Automatically notify support

Yes

Alert Category

Critical - Hard Disk drive

SNMP Trap ID

5

CIM Information

Prefix: PLAT ID: 0164

User Response

Complete the following steps until the problem is solved:

1. Check the Support Portal for service bulletins and RETAIN tips related to your drive.
2. Check the Support Portal for firmware updates related to your drive.
3. Replace the drive.
4. Check for any other RAID-related errors.

- **806f010d-0411ffff : The [StorageVolumeElementName] has been disabled due to a detected fault.**

The disk drive controller has detected a fault in disk drive 10. Disk drive 10 is now defunct.

Severity

Error

Serviceable

Yes

Automatically notify support

Yes

Alert Category

Critical - Hard Disk drive

SNMP Trap ID

5

CIM Information

Prefix: PLAT ID: 0164

User Response

Complete the following steps until the problem is solved:

1. Check the Support Portal for service bulletins and RETAIN tips related to your drive.
2. Check the Support Portal for firmware updates related to your drive.
3. Replace the drive.
4. Check for any other RAID-related errors.

- **806f010d-0412ffff : The [StorageVolumeElementName] has been disabled due to a detected fault.**

The disk drive controller has detected a fault in disk drive 11. Disk drive 11 is now defunct.

Severity

Error

Serviceable

Yes

Automatically notify support

Yes

Alert Category

Critical - Hard Disk drive

SNMP Trap ID

5

CIM Information

Prefix: PLAT ID: 0164

User Response

Complete the following steps until the problem is solved:

1. Check the Support Portal for service bulletins and RETAIN tips related to your drive.
2. Check the Support Portal for firmware updates related to your drive.
3. Replace the drive.
4. Check for any other RAID-related errors.

- **806f010d-0413ffff : The [StorageVolumeElementName] has been disabled due to a detected fault.**

The disk drive controller has detected a fault in disk drive 12. Disk drive 12 is now defunct.

Severity

Error

Serviceable

Yes

Automatically notify support

Yes

Alert Category

Critical - Hard Disk drive

SNMP Trap ID

5

CIM Information

Prefix: PLAT ID: 0164

User Response

Complete the following steps until the problem is solved:

1. Check the Support Portal for service bulletins and RETAIN tips related to your drive.
2. Check the Support Portal for firmware updates related to your drive.
3. Replace the drive.
4. Check for any other RAID-related errors.

- **806f010d-0414ffff : The [StorageVolumeElementName] has been disabled due to a detected fault.**

The disk drive controller has detected a fault in disk drive 13. Disk drive 13 is now defunct.

Severity

Error

Serviceable

Yes

Automatically notify support

Yes

Alert Category

Critical - Hard Disk drive

SNMP Trap ID

5

CIM Information

Prefix: PLAT ID: 0164

User Response

Complete the following steps until the problem is solved:

1. Check the Support Portal for service bulletins and RETAIN tips related to your drive.
2. Check the Support Portal for firmware updates related to your drive.
3. Replace the drive.
4. Check for any other RAID-related errors.

- **806f010d-0415ffff : The [StorageVolumeElementName] has been disabled due to a detected fault.**

The disk drive controller has detected a fault in disk drive 14. Disk drive 14 is now defunct.

Severity

Error

Serviceable

Yes

Automatically notify support

Yes

Alert Category

Critical - Hard Disk drive

SNMP Trap ID

5

CIM Information**Prefix: PLAT ID: 0164****User Response**

Complete the following steps until the problem is solved:

1. Check the Support Portal for service bulletins and RETAIN tips related to your drive.
2. Check the Support Portal for firmware updates related to your drive.
3. Replace the drive.
4. Check for any other RAID-related errors.

- **806f010d-0416ffff : The [StorageVolumeElementName] has been disabled due to a detected fault.**

The disk drive controller has detected a fault in disk drive 15. Disk drive 15 is now defunct.

Severity

Error

Serviceable

Yes

Automatically notify support

Yes

Alert Category

Critical - Hard Disk drive

SNMP Trap ID

5

CIM Information**Prefix: PLAT ID: 0164****User Response**

Complete the following steps until the problem is solved:

1. Check the Support Portal for service bulletins and RETAIN tips related to your drive.
2. Check the Support Portal for firmware updates related to your drive.
3. Replace the drive.
4. Check for any other RAID-related errors.

- **806f010d-0417ffff : The [StorageVolumeElementName] has been disabled due to a detected fault.**

The disk drive controller has detected a fault in disk drive 16. Disk drive 16 is now defunct.

Severity

Error

Serviceable

Yes

Automatically notify support

Yes

Alert Category

Critical - Hard Disk drive

SNMP Trap ID

5

CIM Information

Prefix: PLAT ID: 0164

User Response

Complete the following steps until the problem is solved:

1. Check the Support Portal for service bulletins and RETAIN tips related to your drive.
2. Check the Support Portal for firmware updates related to your drive.
3. Replace the drive.
4. Check for any other RAID-related errors.

- **806f010f-220100ff : The System [ComputerSystemElementName] encountered a firmware hang.**

The system has encountered a firmware hang.

Severity

Error

Serviceable

Yes

Automatically notify support

No

Alert Category

System - Boot failure

SNMP Trap ID

25

CIM Information

Prefix: PLAT ID: 0186

User Response

This is a UEFI detected event. To find the UEFI diagnostic code for this event, in the information center, follow the instructions in "Finding the UEFI diagnostic code" under "UEFI diagnostic codes." Then, in the information center, open the topic for the UEFI diagnostic code and follow the instructions under "User response."

Related links

- "Finding the UEFI diagnostic code" on page 824

- **806f010f-2201ffff : The System [ComputerSystemElementName] encountered a firmware hang.**
The system has encountered a firmware hang.

Severity

Error

Serviceable

Yes

Automatically notify support

No

Alert Category

System - Boot failure

SNMP Trap ID

25

CIM Information

Prefix: PLAT ID: 0186

User Response

This is a UEFI detected event. To find the UEFI diagnostic code for this event, in the information center, follow the instructions in "Finding the UEFI diagnostic code" under "UEFI diagnostic codes." Then, in the information center, open the topic for the UEFI diagnostic code and follow the instructions under "User response."

Related links

- "Finding the UEFI diagnostic code" on page 824

- **806f0123-2101ffff : Reboot of system [ComputerSystemElementName] initiated by IPMI Watchdog.**
The IPMI watchdog timer has expired. The compute node has restarted.

Severity

Info

Serviceable

No

Automatically notify support

No

Alert Category

System - Other

SNMP Trap ID

CIM Information

Prefix: PLAT ID: 0370

User Response

Information only; no action is required.

- **806f0125-1f05ffff : LOM detected as absent.**
The is no LAN on Motherboard (LOM) detected on this system board.

Severity

Info

Serviceable

No

Automatically notify support

No

Alert Category

System - Other

SNMP Trap ID**CIM Information****Prefix:** PLAT ID: 0392**User Response**

Information only; no action is required. Models ship without LOM.

- **806f0207-0301ffff : CPU 1 has Failed with FRB1/BIST condition.**

A processor self test failure has been detected for CPU 1.

Severity

Error

Serviceable

Yes

Automatically notify support

Yes

Alert Category

Critical - CPU

SNMP Trap ID

40

CIM Information**Prefix:** PLAT ID: 0044**User Response**

This is a UEFI detected event. To find the UEFI diagnostic code for this event, in the information center, follow the instructions in "Finding the UEFI diagnostic code" under "UEFI diagnostic codes." Then, in the information center, open the topic for the UEFI diagnostic code and follow the instructions under "User response."

Related links

- "Finding the UEFI diagnostic code" on page 824

- **806f0207-0302ffff : CPU 2 has Failed with FRB1/BIST condition.**

A processor self test failure has been detected for CPU 2.

Severity

Error

Serviceable

Yes

Automatically notify support

Yes

Alert Category

Critical - CPU

SNMP Trap ID

40

CIM Information

Prefix: PLAT ID: 0044

User Response

This is a UEFI detected event. To find the UEFI diagnostic code for this event, in the information center, follow the instructions in "Finding the UEFI diagnostic code" under "UEFI diagnostic codes." Then, in the information center, open the topic for the UEFI diagnostic code and follow the instructions under "User response."

Related links

- "Finding the UEFI diagnostic code" on page 824

- **806f0207-2584ffff : [ProcessorElementName] has Failed with FRB1/BIST condition.**

A processor self test failure has been detected for All CPUs or One of CPUs.

Severity

Error

Serviceable

Yes

Automatically notify support

Yes

Alert Category

Critical - CPU

SNMP Trap ID

40

CIM Information

Prefix: PLAT ID: 0044

User Response

This is a UEFI detected event. To find the UEFI diagnostic code for this event, in the information center, follow the instructions in "Finding the UEFI diagnostic code" under "UEFI diagnostic codes." Then, in the information center, open the topic for the UEFI diagnostic code and follow the instructions under "User response."

Related links

- "Finding the UEFI diagnostic code" on page 824

- **806f020d-0400ffff : Failure Predicted on drive Drive 0 for array [ComputerSystemElementName].**

Failure predicted (PFA) on the hard drive.

Severity

Warning

Serviceable

Yes

Automatically notify support

Yes

Alert Category

System - Predicted Failure

SNMP Trap ID

27

CIM Information

Prefix: PLAT ID: 0168

User Response

Replace hard disk drive 0 at the next maintenance period.

- **806f020d-0401ffff : Failure Predicted on drive Drive 1 for array [ComputerSystemElementName].**
Failure predicted (PFA) on the hard drive.

Severity

Warning

Serviceable

Yes

Automatically notify support

Yes

Alert Category

System - Predicted Failure

SNMP Trap ID

27

CIM Information

Prefix: PLAT ID: 0168

User Response

Replace hard disk drive 1 at the next maintenance period.

- **806f020d-0402ffff : Failure Predicted on drive Drive 2 for array [ComputerSystemElementName].**
Failure predicted (PFA) on the hard drive.

Severity

Warning

Serviceable

Yes

Automatically notify support

Yes

Alert Category

System - Predicted Failure

SNMP Trap ID

27

CIM Information**Prefix: PLAT ID: 0168****User Response**

Replace hard disk drive 2 at the next maintenance period.

- **806f020d-0403ffff : Failure Predicted on drive Drive 3 for array [ComputerSystemElementName].**

Failure predicted (PFA) on the hard drive.

Severity

Warning

Serviceable

Yes

Automatically notify support

Yes

Alert Category

System - Predicted Failure

SNMP Trap ID

27

CIM Information**Prefix: PLAT ID: 0168****User Response**

Replace hard disk drive 3 at the next maintenance period.

- **806f020d-0404ffff : Failure Predicted on drive Drive 4 for array [ComputerSystemElementName].**

Failure predicted (PFA) on the hard drive.

Severity

Warning

Serviceable

Yes

Automatically notify support

Yes

Alert Category

System - Predicted Failure

SNMP Trap ID

27

CIM Information**Prefix: PLAT ID: 0168****User Response**

Replace hard disk drive 4 at the next maintenance period.

- **806f020d-0405ffff : Failure Predicted on drive Drive 5 for array [ComputerSystemElementName].**
Failure predicted (PFA) on the hard drive.

Severity

Warning

Serviceable

Yes

Automatically notify support

Yes

Alert Category

System - Predicted Failure

SNMP Trap ID

27

CIM Information

Prefix: PLAT **ID:** 0168

User Response

Replace hard disk drive 5 at the next maintenance period.

- **806f020d-0406ffff : Failure Predicted on drive Drive 6 for array [ComputerSystemElementName].**
Failure predicted (PFA) on the hard drive.

Severity

Warning

Serviceable

Yes

Automatically notify support

Yes

Alert Category

System - Predicted Failure

SNMP Trap ID

27

CIM Information

Prefix: PLAT **ID:** 0168

User Response

Replace hard disk drive 6 at the next maintenance period.

- **806f020d-0407ffff : Failure Predicted on drive Drive 7 for array [ComputerSystemElementName].**
Failure predicted (PFA) on the hard drive.

Severity

Warning

Serviceable

Yes

Automatically notify support

Yes

Alert Category

System - Predicted Failure

SNMP Trap ID

27

CIM Information

Prefix: PLAT ID: 0168

User Response

Replace hard disk drive 7 at the next maintenance period.

- **806f020d-0408ffff : Failure Predicted on [StorageVolumeElementName] for array [ComputerSystemElementName].**

Failure predicted (PFA) on the drive.

Severity

Warning

Serviceable

Yes

Automatically notify support

Yes

Alert Category

System - Predicted Failure

SNMP Trap ID

27

CIM Information

Prefix: PLAT ID: 0168

User Response

Replace drive 1 at the next maintenance period.

- **806f020d-0409ffff : Failure Predicted on [StorageVolumeElementName] for array [ComputerSystemElementName].**

Failure predicted (PFA) on the drive.

Severity

Warning

Serviceable

Yes

Automatically notify support

Yes

Alert Category

System - Predicted Failure

SNMP Trap ID

27

CIM Information

Prefix: PLAT ID: 0168

User Response

Replace drive 2 at the next maintenance period.

- **806f020d-040affff : Failure Predicted on [StorageVolumeElementName] for array [ComputerSystemElementName].**

Failure predicted (PFA) on the drive.

Severity

Warning

Serviceable

Yes

Automatically notify support

Yes

Alert Category

System - Predicted Failure

SNMP Trap ID

27

CIM Information

Prefix: PLAT ID: 0168

User Response

Replace drive 3 at the next maintenance period.

- **806f020d-040bffff : Failure Predicted on [StorageVolumeElementName] for array [ComputerSystemElementName].**

Failure predicted (PFA) on the drive.

Severity

Warning

Serviceable

Yes

Automatically notify support

Yes

Alert Category

System - Predicted Failure

SNMP Trap ID

27

CIM Information

Prefix: PLAT ID: 0168

User Response

Replace drive 4 at the next maintenance period.

- **806f020d-040cffff : Failure Predicted on [StorageVolumeElementName] for array [ComputerSystemElementName].**

Failure predicted (PFA) on the drive.

Severity

Warning

Serviceable

Yes

Automatically notify support

Yes

Alert Category

System - Predicted Failure

SNMP Trap ID

27

CIM Information

Prefix: PLAT **ID:** 0168

User Response

Replace drive 5 at the next maintenance period.

- **806f020d-040dffff : Failure Predicted on [StorageVolumeElementName] for array [ComputerSystemElementName].**

Failure predicted (PFA) on the drive.

Severity

Warning

Serviceable

Yes

Automatically notify support

Yes

Alert Category

System - Predicted Failure

SNMP Trap ID

27

CIM Information

Prefix: PLAT **ID:** 0168

User Response

Replace drive 6 at the next maintenance period.

- **806f020d-040effff : Failure Predicted on [StorageVolumeElementName] for array [ComputerSystemElementName].**

Failure predicted (PFA) on the drive.

Severity

Warning

Serviceable

Yes

Automatically notify support

Yes

Alert Category

System - Predicted Failure

SNMP Trap ID

27

CIM Information

Prefix: PLAT ID: 0168

User Response

Replace drive 7 at the next maintenance period.

- **806f020d-040ffff : Failure Predicted on [StorageVolumeElementName] for array [ComputerSystemElementName].**

Failure predicted (PFA) on the drive.

Severity

Warning

Serviceable

Yes

Automatically notify support

Yes

Alert Category

System - Predicted Failure

SNMP Trap ID

27

CIM Information

Prefix: PLAT ID: 0168

User Response

Replace drive 8 at the next maintenance period.

- **806f020d-0410ffff : Failure Predicted on [StorageVolumeElementName] for array [ComputerSystemElementName].**

Failure predicted (PFA) on the drive.

Severity

Warning

Serviceable

Yes

Automatically notify support

Yes

Alert Category

System - Predicted Failure

SNMP Trap ID

27

CIM Information

Prefix: PLAT ID: 0168

User Response

Replace drive 9 at the next maintenance period.

- **806f020d-0411ffff : Failure Predicted on [StorageVolumeElementName] for array [ComputerSystemElementName].**

Failure predicted (PFA) on the drive.

Severity

Warning

Serviceable

Yes

Automatically notify support

Yes

Alert Category

System - Predicted Failure

SNMP Trap ID

27

CIM Information

Prefix: PLAT ID: 0168

User Response

Replace drive 10 at the next maintenance period.

- **806f020d-0412ffff : Failure Predicted on [StorageVolumeElementName] for array [ComputerSystemElementName].**

Failure predicted (PFA) on the drive.

Severity

Warning

Serviceable

Yes

Automatically notify support

Yes

Alert Category

System - Predicted Failure

SNMP Trap ID

27

CIM Information

Prefix: PLAT ID: 0168

User Response

Replace drive 11 at the next maintenance period.

- **806f020d-0413ffff : Failure Predicted on [StorageVolumeElementName] for array [ComputerSystemElementName].**

Failure predicted (PFA) on the drive.

Severity

Warning

Serviceable

Yes

Automatically notify support

Yes

Alert Category

System - Predicted Failure

SNMP Trap ID

27

CIM Information

Prefix: PLAT ID: 0168

User Response

Replace drive 12 at the next maintenance period.

- **806f020d-0414ffff : Failure Predicted on [StorageVolumeElementName] for array [ComputerSystemElementName].**

Failure predicted (PFA) on the drive.

Severity

Warning

Serviceable

Yes

Automatically notify support

Yes

Alert Category

System - Predicted Failure

SNMP Trap ID

27

CIM Information

Prefix: PLAT ID: 0168

User Response

Replace drive 13 at the next maintenance period.

- **806f020d-0415ffff : Failure Predicted on [StorageVolumeElementName] for array [ComputerSystemElementName].**

Failure predicted (PFA) on the drive.

Severity

Warning

Serviceable

Yes

Automatically notify support

Yes

Alert Category

System - Predicted Failure

SNMP Trap ID

27

CIM Information

Prefix: PLAT ID: 0168

User Response

Replace drive 14 at the next maintenance period.

- **806f020d-0416ffff : Failure Predicted on [StorageVolumeElementName] for array [ComputerSystemElementName].**

Failure predicted (PFA) on the drive.

Severity

Warning

Serviceable

Yes

Automatically notify support

Yes

Alert Category

System - Predicted Failure

SNMP Trap ID

27

CIM Information

Prefix: PLAT ID: 0168

User Response

Replace drive 15 at the next maintenance period.

- **806f020d-0417ffff : Failure Predicted on [StorageVolumeElementName] for array [ComputerSystemElementName].**

Failure predicted (PFA) on the drive.

Severity

Warning

Serviceable

Yes

Automatically notify support

Yes

Alert Category

System - Predicted Failure

SNMP Trap ID

27

CIM Information

Prefix: PLAT ID: 0168

User Response

Replace drive 16 at the next maintenance period.

- **806f0223-2101ffff : Powering off system [ComputerSystemElementName] initiated by IPMI Watchdog.**

The IPMI watchdog timer has expired. The compute node has been powered off.

Severity

Info

Serviceable

No

Automatically notify support

No

Alert Category

System - Other

SNMP Trap ID

CIM Information

Prefix: PLAT ID: 0372

User Response

Information only; no action is required.

- **806f030c-2001ffff : Scrub Failure for DIMM 1 on Subsystem [MemoryElementName].**

Memory error discovered during boot..(not a runtime error).

Severity

Error

Serviceable

Yes

Automatically notify support

No

Alert Category

Critical - Memory

SNMP Trap ID

41

CIM Information

Prefix: PLAT ID: 0136

User Response

This is a UEFI detected event. The UEFI diagnostic code for this event can be found in the logged IMM message text. Please refer to the UEFI diagnostic code in the "UEFI diagnostic code" section of the Information Center for the appropriate user response.

Related links

- "Finding the UEFI diagnostic code" on page 824

- **806f030c-2002ffff : Scrub Failure for DIMM 2 on Subsystem [MemoryElementName].**

Memory error discovered during boot..(not a runtime error).

Severity

Error

Serviceable

Yes

Automatically notify support

No

Alert Category

Critical - Memory

SNMP Trap ID

41

CIM Information

Prefix: PLAT **ID:** 0136

User Response

This is a UEFI detected event. The UEFI diagnostic code for this event can be found in the logged IMM message text. Please refer to the UEFI diagnostic code in the "UEFI diagnostic code" section of the Information Center for the appropriate user response.

Related links

- "Finding the UEFI diagnostic code" on page 824

- **806f030c-2003ffff : Scrub Failure for DIMM 3 on Subsystem [MemoryElementName].**

Memory error discovered during boot..(not a runtime error).

Severity

Error

Serviceable

Yes

Automatically notify support

No

Alert Category

Critical - Memory

SNMP Trap ID

41

CIM Information

Prefix: PLAT **ID:** 0136

User Response

This is a UEFI detected event. The UEFI diagnostic code for this event can be found in the logged IMM message text. Please refer to the UEFI diagnostic code in the "UEFI diagnostic code" section of the Information Center for the appropriate user response.

Related links

- "Finding the UEFI diagnostic code" on page 824

- **806f030c-2004ffff : Scrub Failure for DIMM 4 on Subsystem [MemoryElementName].**

Memory error discovered during boot..(not a runtime error).

Severity

Error

Serviceable

Yes

Automatically notify support

No

Alert Category

Critical - Memory

SNMP Trap ID

41

CIM Information

Prefix: PLAT ID: 0136

User Response

This is a UEFI detected event. The UEFI diagnostic code for this event can be found in the logged IMM message text. Please refer to the UEFI diagnostic code in the "UEFI diagnostic code" section of the Information Center for the appropriate user response.

Related links

- "Finding the UEFI diagnostic code" on page 824

- **806f030c-2005ffff : Scrub Failure for DIMM 5 on Subsystem [MemoryElementName].**

Memory error discovered during boot..(not a runtime error).

Severity

Error

Serviceable

Yes

Automatically notify support

No

Alert Category

Critical - Memory

SNMP Trap ID

41

CIM Information

Prefix: PLAT ID: 0136

User Response

This is a UEFI detected event. The UEFI diagnostic code for this event can be found in the logged IMM message text. Please refer to the UEFI diagnostic code in the "UEFI diagnostic code" section of the Information Center for the appropriate user response.

Related links

- "Finding the UEFI diagnostic code" on page 824

- **806f030c-2006ffff : Scrub Failure for DIMM 6 on Subsystem [MemoryElementName].**

Memory error discovered during boot..(not a runtime error).

Severity

Error

Serviceable

Yes

Automatically notify support

No

Alert Category

Critical - Memory

SNMP Trap ID

41

CIM Information

Prefix: PLAT **ID:** 0136

User Response

This is a UEFI detected event. The UEFI diagnostic code for this event can be found in the logged IMM message text. Please refer to the UEFI diagnostic code in the "UEFI diagnostic code" section of the Information Center for the appropriate user response.

Related links

- "Finding the UEFI diagnostic code" on page 824

- **806f030c-2007ffff : Scrub Failure for DIMM 7 on Subsystem [MemoryElementName].**

Memory error discovered during boot..(not a runtime error).

Severity

Error

Serviceable

Yes

Automatically notify support

No

Alert Category

Critical - Memory

SNMP Trap ID

41

CIM Information

Prefix: PLAT **ID:** 0136

User Response

This is a UEFI detected event. The UEFI diagnostic code for this event can be found in the logged IMM message text. Please refer to the UEFI diagnostic code in the "UEFI diagnostic code" section of the Information Center for the appropriate user response.

Related links

- "Finding the UEFI diagnostic code" on page 824

- **806f030c-2008ffff : Scrub Failure for DIMM 8 on Subsystem [MemoryElementName].**

Memory error discovered during boot..(not a runtime error).

Severity

Error

Serviceable

Yes

Automatically notify support

No

Alert Category

Critical - Memory

SNMP Trap ID

41

CIM Information

Prefix: PLAT ID: 0136

User Response

This is a UEFI detected event. The UEFI diagnostic code for this event can be found in the logged IMM message text. Please refer to the UEFI diagnostic code in the "UEFI diagnostic code" section of the Information Center for the appropriate user response.

Related links

- "Finding the UEFI diagnostic code" on page 824

- **806f030c-2009ffff : Scrub Failure for DIMM 9 on Subsystem [MemoryElementName].**

Memory error discovered during boot..(not a runtime error).

Severity

Error

Serviceable

Yes

Automatically notify support

No

Alert Category

Critical - Memory

SNMP Trap ID

41

CIM Information

Prefix: PLAT ID: 0136

User Response

This is a UEFI detected event. The UEFI diagnostic code for this event can be found in the logged IMM message text. Please refer to the UEFI diagnostic code in the "UEFI diagnostic code" section of the Information Center for the appropriate user response.

Related links

- "Finding the UEFI diagnostic code" on page 824

- **806f030c-200affff : Scrub Failure for DIMM 10 on Subsystem [MemoryElementName].**

Memory error discovered during boot..(not a runtime error).

Severity

Error

Serviceable

Yes

Automatically notify support

No

Alert Category

Critical - Memory

SNMP Trap ID

41

CIM Information

Prefix: PLAT ID: 0136

User Response

This is a UEFI detected event. The UEFI diagnostic code for this event can be found in the logged IMM message text. Please refer to the UEFI diagnostic code in the "UEFI diagnostic code" section of the Information Center for the appropriate user response.

Related links

- "Finding the UEFI diagnostic code" on page 824

- **806f030c-200bffff : Scrub Failure for DIMM 11 on Subsystem [MemoryElementName].**

Memory error discovered during boot..(not a runtime error).

Severity

Error

Serviceable

Yes

Automatically notify support

No

Alert Category

Critical - Memory

SNMP Trap ID

41

CIM Information

Prefix: PLAT ID: 0136

User Response

This is a UEFI detected event. The UEFI diagnostic code for this event can be found in the logged IMM message text. Please refer to the UEFI diagnostic code in the "UEFI diagnostic code" section of the Information Center for the appropriate user response.

Related links

- "Finding the UEFI diagnostic code" on page 824

- **806f030c-200cffff : Scrub Failure for DIMM 12 on Subsystem [MemoryElementName].**
Memory error discovered during boot..(not a runtime error).

Severity

Error

Serviceable

Yes

Automatically notify support

No

Alert Category

Critical - Memory

SNMP Trap ID

41

CIM Information

Prefix: PLAT ID: 0136

User Response

This is a UEFI detected event. The UEFI diagnostic code for this event can be found in the logged IMM message text. Please refer to the UEFI diagnostic code in the "UEFI diagnostic code" section of the Information Center for the appropriate user response.

Related links

- "Finding the UEFI diagnostic code" on page 824

- **806f030c-200dffff : Scrub Failure for DIMM 13 on Subsystem [MemoryElementName].**
Memory error discovered during boot..(not a runtime error).

Severity

Error

Serviceable

Yes

Automatically notify support

No

Alert Category

Critical - Memory

SNMP Trap ID

41

CIM Information

Prefix: PLAT ID: 0136

User Response

This is a UEFI detected event. The UEFI diagnostic code for this event can be found in the logged IMM message text. Please refer to the UEFI diagnostic code in the "UEFI diagnostic code" section of the Information Center for the appropriate user response.

Related links

- "Finding the UEFI diagnostic code" on page 824

- **806f030c-200effff : Scrub Failure for DIMM 14 on Subsystem [MemoryElementName].**

Memory error discovered during boot..(not a runtime error).

Severity

Error

Serviceable

Yes

Automatically notify support

No

Alert Category

Critical - Memory

SNMP Trap ID

41

CIM Information

Prefix: PLAT **ID:** 0136

User Response

This is a UEFI detected event. The UEFI diagnostic code for this event can be found in the logged IMM message text. Please refer to the UEFI diagnostic code in the "UEFI diagnostic code" section of the Information Center for the appropriate user response.

Related links

- "Finding the UEFI diagnostic code" on page 824

- **806f030c-200fffff : Scrub Failure for DIMM 15 on Subsystem [MemoryElementName].**

Memory error discovered during boot..(not a runtime error).

Severity

Error

Serviceable

Yes

Automatically notify support

No

Alert Category

Critical - Memory

SNMP Trap ID

41

CIM Information

Prefix: PLAT **ID:** 0136

User Response

This is a UEFI detected event. The UEFI diagnostic code for this event can be found in the logged IMM message text. Please refer to the UEFI diagnostic code in the "UEFI diagnostic code" section of the Information Center for the appropriate user response.

Related links

- "Finding the UEFI diagnostic code" on page 824

- **806f030c-2010ffff : Scrub Failure for DIMM 16 on Subsystem [MemoryElementName].**

Memory error discovered during boot..(not a runtime error).

Severity

Error

Serviceable

Yes

Automatically notify support

No

Alert Category

Critical - Memory

SNMP Trap ID

41

CIM Information

Prefix: PLAT ID: 0136

User Response

This is a UEFI detected event. The UEFI diagnostic code for this event can be found in the logged IMM message text. Please refer to the UEFI diagnostic code in the "UEFI diagnostic code" section of the Information Center for the appropriate user response.

Related links

- "Finding the UEFI diagnostic code" on page 824

- **806f030c-2011ffff : Scrub Failure for DIMM 17 on Subsystem [MemoryElementName].**

Memory error discovered during boot..(not a runtime error).

Severity

Error

Serviceable

Yes

Automatically notify support

No

Alert Category

Critical - Memory

SNMP Trap ID

41

CIM Information

Prefix: PLAT ID: 0136

User Response

This is a UEFI detected event. The UEFI diagnostic code for this event can be found in the logged IMM message text. Please refer to the UEFI diagnostic code in the "UEFI diagnostic code" section of the Information Center for the appropriate user response.

Related links

- "Finding the UEFI diagnostic code" on page 824

- **806f030c-2012ffff : Scrub Failure for DIMM 18 on Subsystem [MemoryElementName].**

Memory error discovered during boot..(not a runtime error).

Severity

Error

Serviceable

Yes

Automatically notify support

No

Alert Category

Critical - Memory

SNMP Trap ID

41

CIM Information

Prefix: PLAT **ID:** 0136

User Response

This is a UEFI detected event. The UEFI diagnostic code for this event can be found in the logged IMM message text. Please refer to the UEFI diagnostic code in the "UEFI diagnostic code" section of the Information Center for the appropriate user response.

Related links

- "Finding the UEFI diagnostic code" on page 824

- **806f030c-2013ffff : Scrub Failure for DIMM 19 on Subsystem [MemoryElementName].**

Memory error discovered during boot..(not a runtime error).

Severity

Error

Serviceable

Yes

Automatically notify support

No

Alert Category

Critical - Memory

SNMP Trap ID

41

CIM Information

Prefix: PLAT **ID:** 0136

User Response

This is a UEFI detected event. The UEFI diagnostic code for this event can be found in the logged IMM message text. Please refer to the UEFI diagnostic code in the "UEFI diagnostic code" section of the Information Center for the appropriate user response.

Related links

- "Finding the UEFI diagnostic code" on page 824

- **806f030c-2014ffff : Scrub Failure for DIMM 20 on Subsystem [MemoryElementName].**
Memory error discovered during boot..(not a runtime error).

Severity

Error

Serviceable

Yes

Automatically notify support

No

Alert Category

Critical - Memory

SNMP Trap ID

41

CIM Information

Prefix: PLAT ID: 0136

User Response

This is a UEFI detected event. The UEFI diagnostic code for this event can be found in the logged IMM message text. Please refer to the UEFI diagnostic code in the "UEFI diagnostic code" section of the Information Center for the appropriate user response.

Related links

- "Finding the UEFI diagnostic code" on page 824

- **806f030c-2015ffff : Scrub Failure for DIMM 21 on Subsystem [MemoryElementName].**
Memory error discovered during boot..(not a runtime error).

Severity

Error

Serviceable

Yes

Automatically notify support

No

Alert Category

Critical - Memory

SNMP Trap ID

41

CIM Information

Prefix: PLAT ID: 0136

User Response

This is a UEFI detected event. The UEFI diagnostic code for this event can be found in the logged IMM message text. Please refer to the UEFI diagnostic code in the "UEFI diagnostic code" section of the Information Center for the appropriate user response.

Related links

- "Finding the UEFI diagnostic code" on page 824

- **806f030c-2016ffff : Scrub Failure for DIMM 22 on Subsystem [MemoryElementName].**

Memory error discovered during boot..(not a runtime error).

Severity

Error

Serviceable

Yes

Automatically notify support

No

Alert Category

Critical - Memory

SNMP Trap ID

41

CIM Information

Prefix: PLAT **ID:** 0136

User Response

This is a UEFI detected event. The UEFI diagnostic code for this event can be found in the logged IMM message text. Please refer to the UEFI diagnostic code in the "UEFI diagnostic code" section of the Information Center for the appropriate user response.

Related links

- "Finding the UEFI diagnostic code" on page 824

- **806f030c-2017ffff : Scrub Failure for DIMM 23 on Subsystem [MemoryElementName].**

Memory error discovered during boot..(not a runtime error).

Severity

Error

Serviceable

Yes

Automatically notify support

No

Alert Category

Critical - Memory

SNMP Trap ID

41

CIM Information

Prefix: PLAT **ID:** 0136

User Response

This is a UEFI detected event. The UEFI diagnostic code for this event can be found in the logged IMM message text. Please refer to the UEFI diagnostic code in the "UEFI diagnostic code" section of the Information Center for the appropriate user response.

Related links

- "Finding the UEFI diagnostic code" on page 824

- **806f030c-2018ffff : Scrub Failure for DIMM 24 on Subsystem [MemoryElementName].**

Memory error discovered during boot..(not a runtime error).

Severity

Error

Serviceable

Yes

Automatically notify support

No

Alert Category

Critical - Memory

SNMP Trap ID

41

CIM Information

Prefix: PLAT ID: 0136

User Response

This is a UEFI detected event. The UEFI diagnostic code for this event can be found in the logged IMM message text. Please refer to the UEFI diagnostic code in the "UEFI diagnostic code" section of the Information Center for the appropriate user response.

Related links

- "Finding the UEFI diagnostic code" on page 824

- **806f030c-2581ffff : Scrub Failure for [PhysicalMemoryElementName] on Subsystem [MemoryElementName].**

Memory error discovered during boot..(not a runtime error).

Severity

Error

Serviceable

Yes

Automatically notify support

No

Alert Category

Critical - Memory

SNMP Trap ID

41

CIM Information

Prefix: PLAT ID: 0136

User Response

This is a UEFI detected event. The UEFI diagnostic code for this event can be found in the logged IMM message text. Please refer to the UEFI diagnostic code in the "UEFI diagnostic code" section of the Information Center for the appropriate user response.

Related links

– “Finding the UEFI diagnostic code” on page 824

- **806f030d-0400ffff : Hot Spare enabled for [ComputerSystemElementName].**

A hot spare is available.

Severity

Info

Serviceable

No

Automatically notify support

No

Alert Category

System - Other

SNMP Trap ID

CIM Information

Prefix: PLAT ID: 0170

User Response

Information only; no action required.

- **806f030d-0401ffff : Hot Spare enabled for [ComputerSystemElementName].**

A hot spare is available.

Severity

Info

Serviceable

No

Automatically notify support

No

Alert Category

System - Other

SNMP Trap ID

CIM Information

Prefix: PLAT ID: 0170

User Response

Information only; no action required.

- **806f030d-0402ffff : Hot Spare enabled for [ComputerSystemElementName].**

A hot spare is available.

Severity

Info

Serviceable

No

Automatically notify support

No

Alert Category

System - Other

SNMP Trap ID**CIM Information**

Prefix: PLAT ID: 0170

User Response

Information only; no action required.

- **806f030d-0403ffff : Hot Spare enabled for [ComputerSystemElementName].**

A hot spare is available.

Severity

Info

Serviceable

No

Automatically notify support

No

Alert Category

System - Other

SNMP Trap ID**CIM Information**

Prefix: PLAT ID: 0170

User Response

Information only; no action required.

- **806f030d-0404ffff : Hot Spare enabled for [ComputerSystemElementName].**

A hot spare is available.

Severity

Info

Serviceable

No

Automatically notify support

No

Alert Category

System - Other

SNMP Trap ID

CIM Information

Prefix: PLAT ID: 0170

User Response

Information only; no action required.

- **806f030d-0405ffff : Hot Spare enabled for [ComputerSystemElementName].**

A hot spare is available.

Severity

Info

Serviceable

No

Automatically notify support

No

Alert Category

System - Other

SNMP Trap ID**CIM Information**

Prefix: PLAT ID: 0170

User Response

Information only; no action required.

- **806f030d-0406ffff : Hot Spare enabled for [ComputerSystemElementName].**

A hot spare is available.

Severity

Info

Serviceable

No

Automatically notify support

No

Alert Category

System - Other

SNMP Trap ID**CIM Information**

Prefix: PLAT ID: 0170

User Response

Information only; no action required.

- **806f030d-0407ffff : Hot Spare enabled for [ComputerSystemElementName].**

A hot spare is available.

Severity

Info

Serviceable

No

Automatically notify support

No

Alert Category

System - Other

SNMP Trap ID**CIM Information**

Prefix: PLAT ID: 0170

User Response

Information only; no action required.

- **806f0313-1701ffff : A software NMI has occurred on system [ComputerSystemElementName].**

A software NMI has occurred. The compute node might have restarted, depending on the configuration setting.

Severity

Error

Serviceable

Yes

Automatically notify support

No

Alert Category

Critical - Other

SNMP Trap ID

50

CIM Information

Prefix: PLAT ID: 0228

User Response

Check the operating-system logs and resolve any issues related the NMI.

- **806f0323-2101ffff : Power cycle of system [ComputerSystemElementName] initiated by watchdog IPMI Watchdog.**

The IPMI watchdog timer has expired. The compute node has been powered off and powered on.

Severity

Info

Serviceable

No

Automatically notify support

No

Alert Category
System - Other

SNMP Trap ID

CIM Information
Prefix: PLAT ID: 0374

User Response
Information only; no action is required.

- **806f040c-2001ffff : DIMM 1 Disabled on Subsystem [MemoryElementName].**
Memory DIMM 1 has been disabled.

Severity
Info

Serviceable
No

Automatically notify support
No

Alert Category
System - Other

SNMP Trap ID

CIM Information
Prefix: PLAT ID: 0131

User Response
This is a UEFI detected event. To find the UEFI diagnostic code for this event, in the information center, follow the instructions in "Finding the UEFI diagnostic code" under "UEFI diagnostic codes." Then, in the information center, open the topic for the UEFI diagnostic code and follow the instructions under "User response."

Related links

- "Finding the UEFI diagnostic code" on page 824

- **806f040c-2002ffff : DIMM 2 Disabled on Subsystem [MemoryElementName].**
Memory DIMM 2 has been disabled.

Severity
Info

Serviceable
No

Automatically notify support
No

Alert Category
System - Other

SNMP Trap ID

CIM Information

Prefix: PLAT ID: 0131

User Response

This is a UEFI detected event. To find the UEFI diagnostic code for this event, in the information center, follow the instructions in "Finding the UEFI diagnostic code" under "UEFI diagnostic codes." Then, in the information center, open the topic for the UEFI diagnostic code and follow the instructions under "User response."

Related links

- "Finding the UEFI diagnostic code" on page 824

- **806f040c-2003ffff : DIMM 3 Disabled on Subsystem [MemoryElementName].**

Memory DIMM 3 has been disabled.

Severity

Info

Serviceable

No

Automatically notify support

No

Alert Category

System - Other

SNMP Trap ID**CIM Information**

Prefix: PLAT ID: 0131

User Response

This is a UEFI detected event. To find the UEFI diagnostic code for this event, in the information center, follow the instructions in "Finding the UEFI diagnostic code" under "UEFI diagnostic codes." Then, in the information center, open the topic for the UEFI diagnostic code and follow the instructions under "User response."

Related links

- "Finding the UEFI diagnostic code" on page 824

- **806f040c-2004ffff : DIMM 4 Disabled on Subsystem [MemoryElementName].**

Memory DIMM 4 has been disabled.

Severity

Info

Serviceable

No

Automatically notify support

No

Alert Category

System - Other

SNMP Trap ID**CIM Information**

Prefix: PLAT ID: 0131

User Response

This is a UEFI detected event. To find the UEFI diagnostic code for this event, in the information center, follow the instructions in "Finding the UEFI diagnostic code" under "UEFI diagnostic codes." Then, in the information center, open the topic for the UEFI diagnostic code and follow the instructions under "User response."

Related links

- "Finding the UEFI diagnostic code" on page 824

- **806f040c-2005ffff : DIMM 5 Disabled on Subsystem [MemoryElementName].**

Memory DIMM 5 has been disabled.

Severity

Info

Serviceable

No

Automatically notify support

No

Alert Category

System - Other

SNMP Trap ID**CIM Information**

Prefix: PLAT ID: 0131

User Response

This is a UEFI detected event. To find the UEFI diagnostic code for this event, in the information center, follow the instructions in "Finding the UEFI diagnostic code" under "UEFI diagnostic codes." Then, in the information center, open the topic for the UEFI diagnostic code and follow the instructions under "User response."

Related links

- "Finding the UEFI diagnostic code" on page 824

- **806f040c-2006ffff : DIMM 6 Disabled on Subsystem [MemoryElementName].**

Memory DIMM 6 has been disabled.

Severity

Info

Serviceable

No

Automatically notify support

No

Alert Category

System - Other

SNMP Trap ID**CIM Information**

Prefix: PLAT ID: 0131

User Response

This is a UEFI detected event. To find the UEFI diagnostic code for this event, in the information center, follow the instructions in "Finding the UEFI diagnostic code" under "UEFI diagnostic codes." Then, in the information center, open the topic for the UEFI diagnostic code and follow the instructions under "User response."

Related links

- "Finding the UEFI diagnostic code" on page 824

- **806f040c-2007ffff : DIMM 7 Disabled on Subsystem [MemoryElementName].**

Memory DIMM 7 has been disabled.

Severity

Info

Serviceable

No

Automatically notify support

No

Alert Category

System - Other

SNMP Trap ID**CIM Information**

Prefix: PLAT ID: 0131

User Response

This is a UEFI detected event. To find the UEFI diagnostic code for this event, in the information center, follow the instructions in "Finding the UEFI diagnostic code" under "UEFI diagnostic codes." Then, in the information center, open the topic for the UEFI diagnostic code and follow the instructions under "User response."

Related links

- "Finding the UEFI diagnostic code" on page 824

- **806f040c-2008ffff : DIMM 8 Disabled on Subsystem [MemoryElementName].**

Memory DIMM 8 has been disabled.

Severity

Info

Serviceable

No

Automatically notify support

No

Alert Category

System - Other

SNMP Trap ID**CIM Information**

Prefix: PLAT ID: 0131

User Response

This is a UEFI detected event. To find the UEFI diagnostic code for this event, in the information center, follow the instructions in "Finding the UEFI diagnostic code" under "UEFI diagnostic codes." Then, in the information center, open the topic for the UEFI diagnostic code and follow the instructions under "User response."

Related links

- "Finding the UEFI diagnostic code" on page 824

- **806f040c-2009ffff : DIMM 9 Disabled on Subsystem [MemoryElementName].**

Memory DIMM 9 has been disabled.

Severity

Info

Serviceable

No

Automatically notify support

No

Alert Category

System - Other

SNMP Trap ID**CIM Information**

Prefix: PLAT ID: 0131

User Response

This is a UEFI detected event. To find the UEFI diagnostic code for this event, in the information center, follow the instructions in "Finding the UEFI diagnostic code" under "UEFI diagnostic codes." Then, in the information center, open the topic for the UEFI diagnostic code and follow the instructions under "User response."

Related links

- "Finding the UEFI diagnostic code" on page 824

- **806f040c-200affff : DIMM 10 Disabled on Subsystem [MemoryElementName].**

Memory DIMM 10 has been disabled.

Severity

Info

Serviceable

No

Automatically notify support

No

Alert Category

System - Other

SNMP Trap ID**CIM Information**

Prefix: PLAT ID: 0131

User Response

This is a UEFI detected event. To find the UEFI diagnostic code for this event, in the information center, follow the instructions in "Finding the UEFI diagnostic code" under "UEFI diagnostic codes." Then, in the information center, open the topic for the UEFI diagnostic code and follow the instructions under "User response."

Related links

- "Finding the UEFI diagnostic code" on page 824

- **806f040c-200bffff : DIMM 11 Disabled on Subsystem [MemoryElementName].**

Memory DIMM 11 has been disabled.

Severity

Info

Serviceable

No

Automatically notify support

No

Alert Category

System - Other

SNMP Trap ID**CIM Information**

Prefix: PLAT ID: 0131

User Response

This is a UEFI detected event. To find the UEFI diagnostic code for this event, in the information center, follow the instructions in "Finding the UEFI diagnostic code" under "UEFI diagnostic codes." Then, in the information center, open the topic for the UEFI diagnostic code and follow the instructions under "User response."

Related links

- "Finding the UEFI diagnostic code" on page 824

- **806f040c-200cffff : DIMM 12 Disabled on Subsystem [MemoryElementName].**

Memory DIMM 12 has been disabled.

Severity

Info

Serviceable

No

Automatically notify support

No

Alert Category

System - Other

SNMP Trap ID

CIM Information

Prefix: PLAT **ID:** 0131

User Response

This is a UEFI detected event. To find the UEFI diagnostic code for this event, in the information center, follow the instructions in "Finding the UEFI diagnostic code" under "UEFI diagnostic codes." Then, in the information center, open the topic for the UEFI diagnostic code and follow the instructions under "User response."

Related links

- "Finding the UEFI diagnostic code" on page 824

- **806f040c-200dffff : DIMM 13 Disabled on Subsystem [MemoryElementName].**

Memory DIMM 13 has been disabled.

Severity

Info

Serviceable

No

Automatically notify support

No

Alert Category

System - Other

SNMP Trap ID

CIM Information

Prefix: PLAT **ID:** 0131

User Response

This is a UEFI detected event. To find the UEFI diagnostic code for this event, in the information center, follow the instructions in "Finding the UEFI diagnostic code" under "UEFI diagnostic codes." Then, in the information center, open the topic for the UEFI diagnostic code and follow the instructions under "User response."

Related links

– “Finding the UEFI diagnostic code” on page 824

- **806f040c-200effff : DIMM 14 Disabled on Subsystem [MemoryElementName].**

Memory DIMM 14 has been disabled.

Severity

Info

Serviceable

No

Automatically notify support

No

Alert Category

System - Other

SNMP Trap ID

CIM Information

Prefix: PLAT ID: 0131

User Response

This is a UEFI detected event. To find the UEFI diagnostic code for this event, in the information center, follow the instructions in "Finding the UEFI diagnostic code" under "UEFI diagnostic codes." Then, in the information center, open the topic for the UEFI diagnostic code and follow the instructions under "User response."

Related links

– “Finding the UEFI diagnostic code” on page 824

- **806f040c-200fffff : DIMM 15 Disabled on Subsystem [MemoryElementName].**

Memory DIMM 15 has been disabled.

Severity

Info

Serviceable

No

Automatically notify support

No

Alert Category

System - Other

SNMP Trap ID

CIM Information

Prefix: PLAT ID: 0131

User Response

This is a UEFI detected event. To find the UEFI diagnostic code for this event, in the information center, follow the instructions in "Finding the UEFI diagnostic code" under "UEFI diagnostic

codes." Then, in the information center, open the topic for the UEFI diagnostic code and follow the instructions under "User response."

Related links

- "Finding the UEFI diagnostic code" on page 824

- **806f040c-2010ffff : DIMM 16 Disabled on Subsystem [MemoryElementName].**

Memory DIMM 16 has been disabled.

Severity

Info

Serviceable

No

Automatically notify support

No

Alert Category

System - Other

SNMP Trap ID

CIM Information

Prefix: PLAT ID: 0131

User Response

This is a UEFI detected event. To find the UEFI diagnostic code for this event, in the information center, follow the instructions in "Finding the UEFI diagnostic code" under "UEFI diagnostic codes." Then, in the information center, open the topic for the UEFI diagnostic code and follow the instructions under "User response."

Related links

- "Finding the UEFI diagnostic code" on page 824

- **806f040c-2011ffff : DIMM 17 Disabled on Subsystem [MemoryElementName].**

Memory DIMM 17 has been disabled.

Severity

Info

Serviceable

No

Automatically notify support

No

Alert Category

System - Other

SNMP Trap ID

CIM Information

Prefix: PLAT ID: 0131

User Response

This is a UEFI detected event. To find the UEFI diagnostic code for this event, in the information center, follow the instructions in "Finding the UEFI diagnostic code" under "UEFI diagnostic codes." Then, in the information center, open the topic for the UEFI diagnostic code and follow the instructions under "User response."

Related links

- "Finding the UEFI diagnostic code" on page 824

- **806f040c-2012ffff : DIMM 18 Disabled on Subsystem [MemoryElementName].**

Memory DIMM 18 has been disabled.

Severity

Info

Serviceable

No

Automatically notify support

No

Alert Category

System - Other

SNMP Trap ID**CIM Information**

Prefix: PLAT ID: 0131

User Response

This is a UEFI detected event. To find the UEFI diagnostic code for this event, in the information center, follow the instructions in "Finding the UEFI diagnostic code" under "UEFI diagnostic codes." Then, in the information center, open the topic for the UEFI diagnostic code and follow the instructions under "User response."

Related links

- "Finding the UEFI diagnostic code" on page 824

- **806f040c-2013ffff : DIMM 19 Disabled on Subsystem [MemoryElementName].**

Memory DIMM 19 has been disabled.

Severity

Info

Serviceable

No

Automatically notify support

No

Alert Category

System - Other

SNMP Trap ID

CIM Information

Prefix: PLAT ID: 0131

User Response

This is a UEFI detected event. To find the UEFI diagnostic code for this event, in the information center, follow the instructions in "Finding the UEFI diagnostic code" under "UEFI diagnostic codes." Then, in the information center, open the topic for the UEFI diagnostic code and follow the instructions under "User response."

Related links

- "Finding the UEFI diagnostic code" on page 824

- **806f040c-2014ffff : DIMM 20 Disabled on Subsystem [MemoryElementName].**

Memory DIMM 20 has been disabled.

Severity

Info

Serviceable

No

Automatically notify support

No

Alert Category

System - Other

SNMP Trap ID**CIM Information**

Prefix: PLAT ID: 0131

User Response

This is a UEFI detected event. To find the UEFI diagnostic code for this event, in the information center, follow the instructions in "Finding the UEFI diagnostic code" under "UEFI diagnostic codes." Then, in the information center, open the topic for the UEFI diagnostic code and follow the instructions under "User response."

Related links

- "Finding the UEFI diagnostic code" on page 824

- **806f040c-2015ffff : DIMM 21 Disabled on Subsystem [MemoryElementName].**

Memory DIMM 21 has been disabled.

Severity

Info

Serviceable

No

Automatically notify support

No

Alert Category

System - Other

SNMP Trap ID

CIM Information

Prefix: PLAT ID: 0131

User Response

This is a UEFI detected event. To find the UEFI diagnostic code for this event, in the information center, follow the instructions in "Finding the UEFI diagnostic code" under "UEFI diagnostic codes." Then, in the information center, open the topic for the UEFI diagnostic code and follow the instructions under "User response."

Related links

- "Finding the UEFI diagnostic code" on page 824

- **806f040c-2016ffff : DIMM 22 Disabled on Subsystem [MemoryElementName].**

Memory DIMM 22 has been disabled.

Severity

Info

Serviceable

No

Automatically notify support

No

Alert Category

System - Other

SNMP Trap ID

CIM Information

Prefix: PLAT ID: 0131

User Response

This is a UEFI detected event. To find the UEFI diagnostic code for this event, in the information center, follow the instructions in "Finding the UEFI diagnostic code" under "UEFI diagnostic codes." Then, in the information center, open the topic for the UEFI diagnostic code and follow the instructions under "User response."

Related links

- "Finding the UEFI diagnostic code" on page 824

- **806f040c-2017ffff : DIMM 23 Disabled on Subsystem [MemoryElementName].**

Memory DIMM 23 has been disabled.

Severity

Info

Serviceable

No

Automatically notify support

No

Alert Category

System - Other

SNMP Trap ID**CIM Information**

Prefix: PLAT ID: 0131

User Response

This is a UEFI detected event. To find the UEFI diagnostic code for this event, in the information center, follow the instructions in "Finding the UEFI diagnostic code" under "UEFI diagnostic codes." Then, in the information center, open the topic for the UEFI diagnostic code and follow the instructions under "User response."

Related links

- "Finding the UEFI diagnostic code" on page 824

- **806f040c-2018ffff : DIMM 24 Disabled on Subsystem [MemoryElementName].**

Memory DIMM 24 has been disabled.

Severity

Info

Serviceable

No

Automatically notify support

No

Alert Category

System - Other

SNMP Trap ID**CIM Information**

Prefix: PLAT ID: 0131

User Response

This is a UEFI detected event. To find the UEFI diagnostic code for this event, in the information center, follow the instructions in "Finding the UEFI diagnostic code" under "UEFI diagnostic codes." Then, in the information center, open the topic for the UEFI diagnostic code and follow the instructions under "User response."

Related links

- "Finding the UEFI diagnostic code" on page 824

- **806f040c-2581ffff : [PhysicalMemoryElementName] Disabled on Subsystem [MemoryElementName].**

A Memory DIMM has been disabled, All DIMMs or One of the DIMMs.

Severity

Info

Serviceable

No

Automatically notify support

No

Alert Category

System - Other

SNMP Trap ID

CIM Information

Prefix: PLAT ID: 0131

User Response

This is a UEFI detected event. To find the UEFI diagnostic code for this event, in the information center, follow the instructions in "Finding the UEFI diagnostic code" under "UEFI diagnostic codes." Then, in the information center, open the topic for the UEFI diagnostic code and follow the instructions under "User response."

Related links

- "Finding the UEFI diagnostic code" on page 824

- **806f0413-2582ffff : A PCI PERR has occurred on system [ComputerSystemElementName].**

A PCI Parity Error (PERR) occurred on one of these sensors: All PCI Error, One of PCI Error.

Severity

Error

Serviceable

Yes

Automatically notify support

No

Alert Category

Critical - Other

SNMP Trap ID

50

CIM Information

Prefix: PLAT ID: 0232

User Response

This is a UEFI detected event. To find the UEFI diagnostic code for this event, in the information center, follow the instructions in "Finding the UEFI diagnostic code" under "UEFI diagnostic codes." Then, in the information center, open the topic for the UEFI diagnostic code and follow the instructions under "User response."

Related links

- "Finding the UEFI diagnostic code" on page 824

- **806f0413-2c03ffff : A PCI PERR has occurred on system [ComputerSystemElementName].**

A PCI parity error has been detected in the I/O expansion adapter in PCIe adapter slot 3 in the PCI expansion unit.

Severity

Error

Serviceable

Yes

Automatically notify support

No

Alert Category

Critical - Other

SNMP Trap ID

50

CIM Information

Prefix: PLAT ID: 0232

User Response

This is a UEFI detected event. To find the UEFI diagnostic code for this event, in the information center, follow the instructions in "Finding the UEFI diagnostic code" under "UEFI diagnostic codes." Then, in the information center, open the topic for the UEFI diagnostic code and follow the instructions under "User response."

Related links

- "Finding the UEFI diagnostic code" on page 824

- **806f0413-2c04ffff : A PCI PERR has occurred on system [ComputerSystemElementName].**

A PCI parity error has been detected in the I/O expansion adapter in PCIe adapter slot 4 in the PCI expansion unit.

Severity

Error

Serviceable

Yes

Automatically notify support

No

Alert Category

Critical - Other

SNMP Trap ID

50

CIM Information

Prefix: PLAT ID: 0232

User Response

This is a UEFI detected event. To find the UEFI diagnostic code for this event, in the information center, follow the instructions in "Finding the UEFI diagnostic code" under "UEFI diagnostic codes." Then, in the information center, open the topic for the UEFI diagnostic code and follow the instructions under "User response."

Related links

- "Finding the UEFI diagnostic code" on page 824

- **806f0413-3101ffff : A PCI PERR has occurred on system [ComputerSystemElementName].**

A PCI parity error has been detected in the I/O expansion adapter in PCIe adapter slot 1 in the PCI expansion unit.

Severity

Error

Serviceable

Yes

Automatically notify support

No

Alert Category

Critical - Other

SNMP Trap ID

50

CIM Information

Prefix: PLAT ID: 0232

User Response

This is a UEFI detected event. To find the UEFI diagnostic code for this event, in the information center, follow the instructions in "Finding the UEFI diagnostic code" under "UEFI diagnostic codes." Then, in the information center, open the topic for the UEFI diagnostic code and follow the instructions under "User response."

Related links

- "Finding the UEFI diagnostic code" on page 824

- **806f0413-3102ffff : A PCI PERR has occurred on system [ComputerSystemElementName].**

A PCI parity error has been detected in the I/O expansion adapter in PCIe adapter slot 1 in the PCI expansion unit.

Severity

Error

Serviceable

Yes

Automatically notify support

No

Alert Category

Critical - Other

SNMP Trap ID

50

CIM Information

Prefix: PLAT ID: 0232

User Response

This is a UEFI detected event. To find the UEFI diagnostic code for this event, in the information center, follow the instructions in "Finding the UEFI diagnostic code" under "UEFI diagnostic

codes." Then, in the information center, open the topic for the UEFI diagnostic code and follow the instructions under "User response."

Related links

- "Finding the UEFI diagnostic code" on page 824

- **806f0413-3103ffff : A PCI PERR has occurred on system [ComputerSystemElementName].**

A PCI parity error has been detected in the I/O expansion adapter in PCIe adapter slot 1 in the PCI expansion unit.

Severity

Error

Serviceable

Yes

Automatically notify support

No

Alert Category

Critical - Other

SNMP Trap ID

50

CIM Information

Prefix: PLAT **ID:** 0232

User Response

This is a UEFI detected event. To find the UEFI diagnostic code for this event, in the information center, follow the instructions in "Finding the UEFI diagnostic code" under "UEFI diagnostic codes." Then, in the information center, open the topic for the UEFI diagnostic code and follow the instructions under "User response."

Related links

- "Finding the UEFI diagnostic code" on page 824

- **806f0413-3104ffff : A PCI PERR has occurred on system [ComputerSystemElementName].**

A PCI parity error has been detected in the I/O expansion adapter in PCIe adapter slot 1 in the PCI expansion unit.

Severity

Error

Serviceable

Yes

Automatically notify support

No

Alert Category

Critical - Other

SNMP Trap ID

50

CIM Information

Prefix: PLAT ID: 0232

User Response

This is a UEFI detected event. To find the UEFI diagnostic code for this event, in the information center, follow the instructions in "Finding the UEFI diagnostic code" under "UEFI diagnostic codes." Then, in the information center, open the topic for the UEFI diagnostic code and follow the instructions under "User response."

Related links

- "Finding the UEFI diagnostic code" on page 824

- **806f0507-0301ffff : CPU 1 has a Configuration Mismatch.**

A Microprocessor Configuration Mismatch has been detected on microprocessor 1.

Severity

Error

Serviceable

Yes

Automatically notify support

No

Alert Category

Critical - CPU

SNMP Trap ID

40

CIM Information

Prefix: PLAT ID: 0062

User Response

This is a UEFI detected event. To find the UEFI diagnostic code for this event, in the information center, follow the instructions in "Finding the UEFI diagnostic code" under "UEFI diagnostic codes." Then, in the information center, open the topic for the UEFI diagnostic code and follow the instructions under "User response."

Related links

- "Finding the UEFI diagnostic code" on page 824

- **806f0507-0302ffff : CPU 2 has a Configuration Mismatch.**

A Microprocessor Configuration Mismatch has been detected on microprocessor 2.

Severity

Error

Serviceable

Yes

Automatically notify support

No

Alert Category

Critical - CPU

SNMP Trap ID

40

CIM Information**Prefix:** PLAT **ID:** 0062**User Response**

This is a UEFI detected event. To find the UEFI diagnostic code for this event, in the information center, follow the instructions in "Finding the UEFI diagnostic code" under "UEFI diagnostic codes." Then, in the information center, open the topic for the UEFI diagnostic code and follow the instructions under "User response."

Related links

- "Finding the UEFI diagnostic code" on page 824

- **806f0507-2584ffff : [ProcessorElementName] has a Configuration Mismatch.**

A Microprocessor Configuration Mismatch has been detected, All CPUs or One of CPUs.

Severity

Error

Serviceable

Yes

Automatically notify support

No

Alert Category

Critical - CPU

SNMP Trap ID

40

CIM Information**Prefix:** PLAT **ID:** 0062**User Response**

This is a UEFI detected event. To find the UEFI diagnostic code for this event, in the information center, follow the instructions in "Finding the UEFI diagnostic code" under "UEFI diagnostic codes." Then, in the information center, open the topic for the UEFI diagnostic code and follow the instructions under "User response."

Related links

- "Finding the UEFI diagnostic code" on page 824

- **806f050c-2001ffff : Memory Logging Limit Reached for DIMM 1 on Subsystem [MemoryElementName].**

Memory Logging Limit has been reached for DIMM 1.

Severity

Warning

Serviceable

Yes

Automatically notify support

Yes

Alert Category

Warning - Memory

SNMP Trap ID

43

CIM Information

Prefix: PLAT ID: 0144

User Response

This is a UEFI detected event. To find the UEFI diagnostic code for this event, in the information center, follow the instructions in "Finding the UEFI diagnostic code" under "UEFI diagnostic codes." Then, in the information center, open the topic for the UEFI diagnostic code and follow the instructions under "User response."

Related links

- "Finding the UEFI diagnostic code" on page 824

- **806f050c-2002ffff : Memory Logging Limit Reached for DIMM 2 on Subsystem [MemoryElementName].**

Memory Logging Limit has been reached for DIMM 2.

Severity

Warning

Serviceable

Yes

Automatically notify support

Yes

Alert Category

Warning - Memory

SNMP Trap ID

43

CIM Information

Prefix: PLAT ID: 0144

User Response

This is a UEFI detected event. To find the UEFI diagnostic code for this event, in the information center, follow the instructions in "Finding the UEFI diagnostic code" under "UEFI diagnostic codes." Then, in the information center, open the topic for the UEFI diagnostic code and follow the instructions under "User response."

Related links

- "Finding the UEFI diagnostic code" on page 824

- **806f050c-2003ffff : Memory Logging Limit Reached for DIMM 3 on Subsystem [MemoryElementName].**

Memory Logging Limit has been reached for DIMM 3.

Severity

Warning

Serviceable

Yes

Automatically notify support

Yes

Alert Category

Warning - Memory

SNMP Trap ID

43

CIM Information

Prefix: PLAT ID: 0144

User Response

This is a UEFI detected event. To find the UEFI diagnostic code for this event, in the information center, follow the instructions in "Finding the UEFI diagnostic code" under "UEFI diagnostic codes." Then, in the information center, open the topic for the UEFI diagnostic code and follow the instructions under "User response."

Related links

- "Finding the UEFI diagnostic code" on page 824

- **806f050c-2004ffff : Memory Logging Limit Reached for DIMM 4 on Subsystem [MemoryElementName].**

Memory Logging Limit has been reached for DIMM 4.

Severity

Warning

Serviceable

Yes

Automatically notify support

Yes

Alert Category

Warning - Memory

SNMP Trap ID

43

CIM Information

Prefix: PLAT ID: 0144

User Response

This is a UEFI detected event. To find the UEFI diagnostic code for this event, in the information center, follow the instructions in "Finding the UEFI diagnostic code" under "UEFI diagnostic codes." Then, in the information center, open the topic for the UEFI diagnostic code and follow the instructions under "User response."

Related links

- "Finding the UEFI diagnostic code" on page 824

- **806f050c-2005ffff : Memory Logging Limit Reached for DIMM 5 on Subsystem [MemoryElementName].**

Memory Logging Limit has been reached for DIMM 5.

Severity

Warning

Serviceable

Yes

Automatically notify support

Yes

Alert Category

Warning - Memory

SNMP Trap ID

43

CIM Information

Prefix: PLAT ID: 0144

User Response

This is a UEFI detected event. To find the UEFI diagnostic code for this event, in the information center, follow the instructions in "Finding the UEFI diagnostic code" under "UEFI diagnostic codes." Then, in the information center, open the topic for the UEFI diagnostic code and follow the instructions under "User response."

Related links

- "Finding the UEFI diagnostic code" on page 824

- **806f050c-2006ffff : Memory Logging Limit Reached for DIMM 6 on Subsystem [MemoryElementName].**

Memory Logging Limit has been reached for DIMM 6.

Severity

Warning

Serviceable

Yes

Automatically notify support

Yes

Alert Category

Warning - Memory

SNMP Trap ID

43

CIM Information

Prefix: PLAT ID: 0144

User Response

This is a UEFI detected event. To find the UEFI diagnostic code for this event, in the information center, follow the instructions in "Finding the UEFI diagnostic code" under "UEFI diagnostic codes." Then, in the information center, open the topic for the UEFI diagnostic code and follow the instructions under "User response."

Related links

- "Finding the UEFI diagnostic code" on page 824

- **806f050c-2007ffff : Memory Logging Limit Reached for DIMM 7 on Subsystem [MemoryElementName].**

Memory Logging Limit has been reached for DIMM 7.

Severity

Warning

Serviceable

Yes

Automatically notify support

Yes

Alert Category

Warning - Memory

SNMP Trap ID

43

CIM Information

Prefix: PLAT ID: 0144

User Response

This is a UEFI detected event. To find the UEFI diagnostic code for this event, in the information center, follow the instructions in "Finding the UEFI diagnostic code" under "UEFI diagnostic codes." Then, in the information center, open the topic for the UEFI diagnostic code and follow the instructions under "User response."

Related links

- "Finding the UEFI diagnostic code" on page 824

- **806f050c-2008ffff : Memory Logging Limit Reached for DIMM 8 on Subsystem [MemoryElementName].**

Memory Logging Limit has been reached for DIMM 8.

Severity

Warning

Serviceable

Yes

Automatically notify support

Yes

Alert Category

Warning - Memory

SNMP Trap ID

43

CIM Information

Prefix: PLAT ID: 0144

User Response

This is a UEFI detected event. To find the UEFI diagnostic code for this event, in the information center, follow the instructions in "Finding the UEFI diagnostic code" under "UEFI diagnostic codes." Then, in the information center, open the topic for the UEFI diagnostic code and follow the instructions under "User response."

Related links

- "Finding the UEFI diagnostic code" on page 824

- **806f050c-2009ffff : Memory Logging Limit Reached for DIMM 9 on Subsystem [MemoryElementName].**

Memory Logging Limit has been reached for DIMM 9.

Severity

Warning

Serviceable

Yes

Automatically notify support

Yes

Alert Category

Warning - Memory

SNMP Trap ID

43

CIM Information

Prefix: PLAT **ID:** 0144

User Response

This is a UEFI detected event. To find the UEFI diagnostic code for this event, in the information center, follow the instructions in "Finding the UEFI diagnostic code" under "UEFI diagnostic codes." Then, in the information center, open the topic for the UEFI diagnostic code and follow the instructions under "User response."

Related links

- "Finding the UEFI diagnostic code" on page 824

- **806f050c-200affff : Memory Logging Limit Reached for DIMM 10 on Subsystem [MemoryElementName].**

Memory Logging Limit has been reached for DIMM 10.

Severity

Warning

Serviceable

Yes

Automatically notify support

Yes

Alert Category

Warning - Memory

SNMP Trap ID

43

CIM Information**Prefix:** PLAT ID: 0144**User Response**

This is a UEFI detected event. To find the UEFI diagnostic code for this event, in the information center, follow the instructions in "Finding the UEFI diagnostic code" under "UEFI diagnostic codes." Then, in the information center, open the topic for the UEFI diagnostic code and follow the instructions under "User response."

Related links

- "Finding the UEFI diagnostic code" on page 824

- **806f050c-200bffff : Memory Logging Limit Reached for DIMM 11 on Subsystem [MemoryElementName].**

Memory Logging Limit has been reached for DIMM 11.

Severity

Warning

Serviceable

Yes

Automatically notify support

Yes

Alert Category

Warning - Memory

SNMP Trap ID

43

CIM Information**Prefix:** PLAT ID: 0144**User Response**

This is a UEFI detected event. To find the UEFI diagnostic code for this event, in the information center, follow the instructions in "Finding the UEFI diagnostic code" under "UEFI diagnostic codes." Then, in the information center, open the topic for the UEFI diagnostic code and follow the instructions under "User response."

Related links

- "Finding the UEFI diagnostic code" on page 824

- **806f050c-200cffff : Memory Logging Limit Reached for DIMM 12 on Subsystem [MemoryElementName].**

Memory Logging Limit has been reached for DIMM 12.

Severity

Warning

Serviceable

Yes

Automatically notify support

Yes

Alert Category

Warning - Memory

SNMP Trap ID

43

CIM Information

Prefix: PLAT ID: 0144

User Response

This is a UEFI detected event. To find the UEFI diagnostic code for this event, in the information center, follow the instructions in "Finding the UEFI diagnostic code" under "UEFI diagnostic codes." Then, in the information center, open the topic for the UEFI diagnostic code and follow the instructions under "User response."

Related links

- "Finding the UEFI diagnostic code" on page 824

- **806f050c-200dffff : Memory Logging Limit Reached for DIMM 13 on Subsystem [MemoryElementName].**

Memory Logging Limit has been reached for DIMM 13.

Severity

Warning

Serviceable

Yes

Automatically notify support

Yes

Alert Category

Warning - Memory

SNMP Trap ID

43

CIM Information

Prefix: PLAT ID: 0144

User Response

This is a UEFI detected event. To find the UEFI diagnostic code for this event, in the information center, follow the instructions in "Finding the UEFI diagnostic code" under "UEFI diagnostic codes." Then, in the information center, open the topic for the UEFI diagnostic code and follow the instructions under "User response."

Related links

- "Finding the UEFI diagnostic code" on page 824

- **806f050c-200effff : Memory Logging Limit Reached for DIMM 14 on Subsystem [MemoryElementName].**

Memory Logging Limit has been reached for DIMM 14.

Severity

Warning

Serviceable

Yes

Automatically notify support

Yes

Alert Category

Warning - Memory

SNMP Trap ID

43

CIM Information

Prefix: PLAT ID: 0144

User Response

This is a UEFI detected event. To find the UEFI diagnostic code for this event, in the information center, follow the instructions in "Finding the UEFI diagnostic code" under "UEFI diagnostic codes." Then, in the information center, open the topic for the UEFI diagnostic code and follow the instructions under "User response."

Related links

- "Finding the UEFI diagnostic code" on page 824

- **806f050c-200ffff : Memory Logging Limit Reached for DIMM 15 on Subsystem [MemoryElementName].**

Memory Logging Limit has been reached for DIMM 15.

Severity

Warning

Serviceable

Yes

Automatically notify support

Yes

Alert Category

Warning - Memory

SNMP Trap ID

43

CIM Information

Prefix: PLAT ID: 0144

User Response

This is a UEFI detected event. To find the UEFI diagnostic code for this event, in the information center, follow the instructions in "Finding the UEFI diagnostic code" under "UEFI diagnostic codes." Then, in the information center, open the topic for the UEFI diagnostic code and follow the instructions under "User response."

Related links

- "Finding the UEFI diagnostic code" on page 824

- **806f050c-2010ffff : Memory Logging Limit Reached for DIMM 16 on Subsystem [MemoryElementName].**

Memory Logging Limit has been reached for DIMM 16.

Severity

Warning

Serviceable

Yes

Automatically notify support

Yes

Alert Category

Warning - Memory

SNMP Trap ID

43

CIM Information

Prefix: PLAT ID: 0144

User Response

This is a UEFI detected event. To find the UEFI diagnostic code for this event, in the information center, follow the instructions in "Finding the UEFI diagnostic code" under "UEFI diagnostic codes." Then, in the information center, open the topic for the UEFI diagnostic code and follow the instructions under "User response."

Related links

- "Finding the UEFI diagnostic code" on page 824

- **806f050c-2011ffff : Memory Logging Limit Reached for DIMM 17 on Subsystem [MemoryElementName].**

Memory Logging Limit has been reached for DIMM 17.

Severity

Warning

Serviceable

Yes

Automatically notify support

Yes

Alert Category

Warning - Memory

SNMP Trap ID

43

CIM Information

Prefix: PLAT ID: 0144

User Response

This is a UEFI detected event. To find the UEFI diagnostic code for this event, in the information center, follow the instructions in "Finding the UEFI diagnostic code" under "UEFI diagnostic

codes." Then, in the information center, open the topic for the UEFI diagnostic code and follow the instructions under "User response."

Related links

- "Finding the UEFI diagnostic code" on page 824

- **806f050c-2012ffff : Memory Logging Limit Reached for DIMM 18 on Subsystem [MemoryElementName].**

Memory Logging Limit has been reached for DIMM 18.

Severity

Warning

Serviceable

Yes

Automatically notify support

Yes

Alert Category

Warning - Memory

SNMP Trap ID

43

CIM Information

Prefix: PLAT **ID:** 0144

User Response

This is a UEFI detected event. To find the UEFI diagnostic code for this event, in the information center, follow the instructions in "Finding the UEFI diagnostic code" under "UEFI diagnostic codes." Then, in the information center, open the topic for the UEFI diagnostic code and follow the instructions under "User response."

Related links

- "Finding the UEFI diagnostic code" on page 824

- **806f050c-2013ffff : Memory Logging Limit Reached for DIMM 19 on Subsystem [MemoryElementName].**

Memory Logging Limit has been reached for DIMM 19.

Severity

Warning

Serviceable

Yes

Automatically notify support

Yes

Alert Category

Warning - Memory

SNMP Trap ID

43

CIM Information

Prefix: PLAT ID: 0144

User Response

This is a UEFI detected event. To find the UEFI diagnostic code for this event, in the information center, follow the instructions in "Finding the UEFI diagnostic code" under "UEFI diagnostic codes." Then, in the information center, open the topic for the UEFI diagnostic code and follow the instructions under "User response."

Related links

- "Finding the UEFI diagnostic code" on page 824

- **806f050c-2014ffff : Memory Logging Limit Reached for DIMM 20 on Subsystem [MemoryElementName].**

Memory Logging Limit has been reached for DIMM 20.

Severity

Warning

Serviceable

Yes

Automatically notify support

Yes

Alert Category

Warning - Memory

SNMP Trap ID

43

CIM Information

Prefix: PLAT ID: 0144

User Response

This is a UEFI detected event. To find the UEFI diagnostic code for this event, in the information center, follow the instructions in "Finding the UEFI diagnostic code" under "UEFI diagnostic codes." Then, in the information center, open the topic for the UEFI diagnostic code and follow the instructions under "User response."

Related links

- "Finding the UEFI diagnostic code" on page 824

- **806f050c-2015ffff : Memory Logging Limit Reached for DIMM 21 on Subsystem [MemoryElementName].**

Memory Logging Limit has been reached for DIMM 21.

Severity

Warning

Serviceable

Yes

Automatically notify support

Yes

Alert Category

Warning - Memory

SNMP Trap ID

43

CIM Information

Prefix: PLAT ID: 0144

User Response

This is a UEFI detected event. To find the UEFI diagnostic code for this event, in the information center, follow the instructions in "Finding the UEFI diagnostic code" under "UEFI diagnostic codes." Then, in the information center, open the topic for the UEFI diagnostic code and follow the instructions under "User response."

Related links

- "Finding the UEFI diagnostic code" on page 824

- **806f050c-2016ffff : Memory Logging Limit Reached for DIMM 22 on Subsystem [MemoryElementName].**

Memory Logging Limit has been reached for DIMM 22.

Severity

Warning

Serviceable

Yes

Automatically notify support

Yes

Alert Category

Warning - Memory

SNMP Trap ID

43

CIM Information

Prefix: PLAT ID: 0144

User Response

This is a UEFI detected event. To find the UEFI diagnostic code for this event, in the information center, follow the instructions in "Finding the UEFI diagnostic code" under "UEFI diagnostic codes." Then, in the information center, open the topic for the UEFI diagnostic code and follow the instructions under "User response."

Related links

- "Finding the UEFI diagnostic code" on page 824

- **806f050c-2017ffff : Memory Logging Limit Reached for DIMM 23 on Subsystem [MemoryElementName].**

Memory Logging Limit has been reached for DIMM 23.

Severity

Warning

Serviceable

Yes

Automatically notify support

Yes

Alert Category

Warning - Memory

SNMP Trap ID

43

CIM Information

Prefix: PLAT ID: 0144

User Response

This is a UEFI detected event. To find the UEFI diagnostic code for this event, in the information center, follow the instructions in "Finding the UEFI diagnostic code" under "UEFI diagnostic codes." Then, in the information center, open the topic for the UEFI diagnostic code and follow the instructions under "User response."

Related links

- "Finding the UEFI diagnostic code" on page 824

- **806f050c-2018ffff : Memory Logging Limit Reached for DIMM 24 on Subsystem [MemoryElementName].**

Memory Logging Limit has been reached for DIMM 24.

Severity

Warning

Serviceable

Yes

Automatically notify support

Yes

Alert Category

Warning - Memory

SNMP Trap ID

43

CIM Information

Prefix: PLAT ID: 0144

User Response

This is a UEFI detected event. To find the UEFI diagnostic code for this event, in the information center, follow the instructions in "Finding the UEFI diagnostic code" under "UEFI diagnostic codes." Then, in the information center, open the topic for the UEFI diagnostic code and follow the instructions under "User response."

Related links

- "Finding the UEFI diagnostic code" on page 824

- **806f050c-2581ffff : Memory Logging Limit Reached for [PhysicalMemoryElementName] on Subsystem [MemoryElementName].**

Memory Logging Limit has been reached, All DIMMs. One of the DIMMs.

Severity

Warning

Serviceable

Yes

Automatically notify support

Yes

Alert Category

Warning - Memory

SNMP Trap ID

43

CIM Information

Prefix: PLAT ID: 0144

User Response

This is a UEFI detected event. To find the UEFI diagnostic code for this event, in the information center, follow the instructions in "Finding the UEFI diagnostic code" under "UEFI diagnostic codes." Then, in the information center, open the topic for the UEFI diagnostic code and follow the instructions under "User response."

Related links

- "Finding the UEFI diagnostic code" on page 824

- **806f050d-0400ffff : Array [ComputerSystemElementName] is in critical condition.**

The RAID array is in critical condition. Immediate action is required to avoid a system outage.

Severity

Error

Serviceable

Yes

Automatically notify support

No

Alert Category

Critical - Hard Disk drive

SNMP Trap ID

5

CIM Information

Prefix: PLAT ID: 0174

User Response

Replace the hard disk drive that is indicated by a lit status LED.

- **806f050d-0401ffff : Array [ComputerSystemElementName] is in critical condition.**

The RAID array is in critical condition. Immediate action is required to avoid a system outage.

Severity

Error

Serviceable

Yes

Automatically notify support

No

Alert Category

Critical - Hard Disk drive

SNMP Trap ID

5

CIM Information

Prefix: PLAT ID: 0174

User Response

Replace the hard disk drive that is indicated by a lit status LED.

- **806f050d-0402ffff : Array [ComputerSystemElementName] is in critical condition.**

The RAID array is in critical condition. Immediate action is required to avoid a system outage.

Severity

Error

Serviceable

Yes

Automatically notify support

No

Alert Category

Critical - Hard Disk drive

SNMP Trap ID

5

CIM Information

Prefix: PLAT ID: 0174

User Response

Replace the hard disk drive that is indicated by a lit status LED.

- **806f050d-0403ffff : Array [ComputerSystemElementName] is in critical condition.**

The RAID array is in critical condition. Immediate action is required to avoid a system outage.

Severity

Error

Serviceable

Yes

Automatically notify support

No

Alert Category

Critical - Hard Disk drive

SNMP Trap ID

5

CIM Information**Prefix: PLAT ID: 0174****User Response**

Replace the hard disk drive that is indicated by a lit status LED.

- **806f050d-0404ffff : Array [ComputerSystemElementName] is in critical condition.**

The RAID array is in critical condition. Immediate action is required to avoid a system outage.

Severity

Error

Serviceable

Yes

Automatically notify support

No

Alert Category

Critical - Hard Disk drive

SNMP Trap ID

5

CIM Information**Prefix: PLAT ID: 0174****User Response**

Replace the hard disk drive that is indicated by a lit status LED.

- **806f050d-0405ffff : Array [ComputerSystemElementName] is in critical condition.**

The RAID array is in critical condition. Immediate action is required to avoid a system outage.

Severity

Error

Serviceable

Yes

Automatically notify support

No

Alert Category

Critical - Hard Disk drive

SNMP Trap ID

5

CIM Information**Prefix: PLAT ID: 0174****User Response**

Replace the hard disk drive that is indicated by a lit status LED.

- **806f050d-0406ffff : Array [ComputerSystemElementName] is in critical condition.**
The RAID array is in critical condition. Immediate action is required to avoid a system outage.

Severity

Error

Serviceable

Yes

Automatically notify support

No

Alert Category

Critical - Hard Disk drive

SNMP Trap ID

5

CIM Information

Prefix: PLAT ID: 0174

User Response

Replace the hard disk drive that is indicated by a lit status LED.

- **806f050d-0407ffff : Array [ComputerSystemElementName] is in critical condition.**
The RAID array is in critical condition. Immediate action is required to avoid a system outage.

Severity

Error

Serviceable

Yes

Automatically notify support

No

Alert Category

Critical - Hard Disk drive

SNMP Trap ID

5

CIM Information

Prefix: PLAT ID: 0174

User Response

Replace the hard disk drive that is indicated by a lit status LED.

- **806f050d-0408ffff : Array [ComputerSystemElementName] is in critical condition.**
The RAID array is in critical condition. Immediate action is required to avoid a system outage.

Severity

Error

Serviceable

Yes

Automatically notify support

No

Alert Category

Critical - Hard Disk drive

SNMP Trap ID

5

CIM Information

Prefix: PLAT ID: 0174

User Response

Replace the hard disk drive that is indicated by a lit status LED.

- **806f050d-0409ffff : Array [ComputerSystemElementName] is in critical condition.**

The RAID array is in critical condition. Immediate action is required to avoid a system outage.

Severity

Error

Serviceable

Yes

Automatically notify support

No

Alert Category

Critical - Hard Disk drive

SNMP Trap ID

5

CIM Information

Prefix: PLAT ID: 0174

User Response

Replace the hard disk drive that is indicated by a lit status LED.

- **806f050d-040affff : Array [ComputerSystemElementName] is in critical condition.**

The RAID array is in critical condition. Immediate action is required to avoid a system outage.

Severity

Error

Serviceable

Yes

Automatically notify support

No

Alert Category

Critical - Hard Disk drive

SNMP Trap ID

5

CIM Information

Prefix: PLAT ID: 0174

User Response

Replace the hard disk drive that is indicated by a lit status LED.

- **806f050d-040bffff : Array [ComputerSystemElementName] is in critical condition.**

The RAID array is in critical condition. Immediate action is required to avoid a system outage.

Severity

Error

Serviceable

Yes

Automatically notify support

No

Alert Category

Critical - Hard Disk drive

SNMP Trap ID

5

CIM Information

Prefix: PLAT ID: 0174

User Response

Replace the hard disk drive that is indicated by a lit status LED.

- **806f050d-040cffff : Array [ComputerSystemElementName] is in critical condition.**

The RAID array is in critical condition. Immediate action is required to avoid a system outage.

Severity

Error

Serviceable

Yes

Automatically notify support

No

Alert Category

Critical - Hard Disk drive

SNMP Trap ID

5

CIM Information

Prefix: PLAT ID: 0174

User Response

Replace the hard disk drive that is indicated by a lit status LED.

- **806f050d-040dffff : Array [ComputerSystemElementName] is in critical condition.**

The RAID array is in critical condition. Immediate action is required to avoid a system outage.

Severity

Error

Serviceable

Yes

Automatically notify support

No

Alert Category

Critical - Hard Disk drive

SNMP Trap ID

5

CIM Information

Prefix: PLAT ID: 0174

User Response

Replace the hard disk drive that is indicated by a lit status LED.

- **806f050d-040effff : Array [ComputerSystemElementName] is in critical condition.**

The RAID array is in critical condition. Immediate action is required to avoid a system outage.

Severity

Error

Serviceable

Yes

Automatically notify support

No

Alert Category

Critical - Hard Disk drive

SNMP Trap ID

5

CIM Information

Prefix: PLAT ID: 0174

User Response

Replace the hard disk drive that is indicated by a lit status LED.

- **806f050d-040fffff : Array [ComputerSystemElementName] is in critical condition.**

The RAID array is in critical condition. Immediate action is required to avoid a system outage.

Severity

Error

Serviceable

Yes

Automatically notify support

No

Alert Category

Critical - Hard Disk drive

SNMP Trap ID

5

CIM Information

Prefix: PLAT ID: 0174

User Response

Replace the hard disk drive that is indicated by a lit status LED.

- **806f050d-0410ffff : Array [ComputerSystemElementName] is in critical condition.**

The RAID array is in critical condition. Immediate action is required to avoid a system outage.

Severity

Error

Serviceable

Yes

Automatically notify support

No

Alert Category

Critical - Hard Disk drive

SNMP Trap ID

5

CIM Information

Prefix: PLAT ID: 0174

User Response

Replace the hard disk drive that is indicated by a lit status LED.

- **806f050d-0411ffff : Array [ComputerSystemElementName] is in critical condition.**

The RAID array is in critical condition. Immediate action is required to avoid a system outage.

Severity

Error

Serviceable

Yes

Automatically notify support

No

Alert Category

Critical - Hard Disk drive

SNMP Trap ID

5

CIM Information

Prefix: PLAT ID: 0174

User Response

Replace the hard disk drive that is indicated by a lit status LED.

- **806f050d-0412ffff : Array [ComputerSystemElementName] is in critical condition.**

The RAID array is in critical condition. Immediate action is required to avoid a system outage.

Severity

Error

Serviceable

Yes

Automatically notify support

No

Alert Category

Critical - Hard Disk drive

SNMP Trap ID

5

CIM Information

Prefix: PLAT ID: 0174

User Response

Replace the hard disk drive that is indicated by a lit status LED.

- **806f050d-0413ffff : Array [ComputerSystemElementName] is in critical condition.**

The RAID array is in critical condition. Immediate action is required to avoid a system outage.

Severity

Error

Serviceable

Yes

Automatically notify support

No

Alert Category

Critical - Hard Disk drive

SNMP Trap ID

5

CIM Information

Prefix: PLAT ID: 0174

User Response

Replace the hard disk drive that is indicated by a lit status LED.

- **806f050d-0414ffff : Array [ComputerSystemElementName] is in critical condition.**

The RAID array is in critical condition. Immediate action is required to avoid a system outage.

Severity

Error

Serviceable

Yes

Automatically notify support

No

Alert Category

Critical - Hard Disk drive

SNMP Trap ID

5

CIM Information**Prefix:** PLAT ID: 0174**User Response**

Replace the hard disk drive that is indicated by a lit status LED.

- **806f050d-0415ffff : Array [ComputerSystemElementName] is in critical condition.**

The RAID array is in critical condition. Immediate action is required to avoid a system outage.

Severity

Error

Serviceable

Yes

Automatically notify support

No

Alert Category

Critical - Hard Disk drive

SNMP Trap ID

5

CIM Information**Prefix:** PLAT ID: 0174**User Response**

Replace the hard disk drive that is indicated by a lit status LED.

- **806f050d-0416ffff : Array [ComputerSystemElementName] is in critical condition.**

The RAID array is in critical condition. Immediate action is required to avoid a system outage.

Severity

Error

Serviceable

Yes

Automatically notify support

No

Alert Category

Critical - Hard Disk drive

SNMP Trap ID

5

CIM Information**Prefix:** PLAT ID: 0174**User Response**

Replace the hard disk drive that is indicated by a lit status LED.

- **806f050d-0417ffff : Array [ComputerSystemElementName] is in critical condition.**

The RAID array is in critical condition. Immediate action is required to avoid a system outage.

Severity

Error

Serviceable

Yes

Automatically notify support

No

Alert Category

Critical - Hard Disk drive

SNMP Trap ID

5

CIM Information

Prefix: PLAT **ID:** 0174

User Response

Replace the hard disk drive that is indicated by a lit status LED.

- **806f0513-2582ffff : A PCI SERR has occurred on system [ComputerSystemElementName].**

A PCI System Error (SERR) has been detected on one of these sensors: All PCI Error, One of PCI Error.

Severity

Error

Serviceable

Yes

Automatically notify support

No

Alert Category

Critical - Other

SNMP Trap ID

50

CIM Information

Prefix: PLAT **ID:** 0234

User Response

This is a UEFI detected event. To find the UEFI diagnostic code for this event, in the information center, follow the instructions in "Finding the UEFI diagnostic code" under "UEFI diagnostic codes." Then, in the information center, open the topic for the UEFI diagnostic code and follow the instructions under "User response."

Related links

- "Finding the UEFI diagnostic code" on page 824

- **806f0513-2c03ffff : A PCI SERR has occurred on system [ComputerSystemElementName].**

A PCI system error has been detected in the I/O expansion adapter in PCIe adapter slot 3 in the PCI expansion unit.

Severity

Error

Serviceable

Yes

Automatically notify support

No

Alert Category

Critical - Other

SNMP Trap ID

50

CIM Information

Prefix: PLAT ID: 0234

User Response

This is a UEFI detected event. To find the UEFI diagnostic code for this event, in the information center, follow the instructions in "Finding the UEFI diagnostic code" under "UEFI diagnostic codes." Then, in the information center, open the topic for the UEFI diagnostic code and follow the instructions under "User response."

Related links

- "Finding the UEFI diagnostic code" on page 824

- **806f0513-2c04ffff : A PCI SERR has occurred on system [ComputerSystemElementName].**

A PCI system error has been detected in the I/O expansion adapter in PCIe adapter slot 4 in the PCI expansion unit.

Severity

Error

Serviceable

Yes

Automatically notify support

No

Alert Category

Critical - Other

SNMP Trap ID

50

CIM Information

Prefix: PLAT ID: 0234

User Response

This is a UEFI detected event. To find the UEFI diagnostic code for this event, in the information center, follow the instructions in "Finding the UEFI diagnostic code" under "UEFI diagnostic codes." Then, in the information center, open the topic for the UEFI diagnostic code and follow the instructions under "User response."

Related links

- "Finding the UEFI diagnostic code" on page 824

- **806f0513-3101ffff : A PCI SERR has occurred on system [ComputerSystemElementName].**

A PCI system error has been detected in the I/O expansion adapter in PCIe adapter slot 1 in the PCI expansion unit.

Severity

Error

Serviceable

Yes

Automatically notify support

No

Alert Category

Critical - Other

SNMP Trap ID

50

CIM Information

Prefix: PLAT **ID:** 0234

User Response

This is a UEFI detected event. To find the UEFI diagnostic code for this event, in the information center, follow the instructions in "Finding the UEFI diagnostic code" under "UEFI diagnostic codes." Then, in the information center, open the topic for the UEFI diagnostic code and follow the instructions under "User response."

Related links

- "Finding the UEFI diagnostic code" on page 824

- **806f0513-3102ffff : A PCI SERR has occurred on system [ComputerSystemElementName].**

A PCI system error has been detected in the I/O expansion adapter in PCIe adapter slot 2 in the PCI expansion unit.

Severity

Error

Serviceable

Yes

Automatically notify support

No

Alert Category

Critical - Other

SNMP Trap ID

50

CIM Information

Prefix: PLAT **ID:** 0234

User Response

This is a UEFI detected event. To find the UEFI diagnostic code for this event, in the information center, follow the instructions in "Finding the UEFI diagnostic code" under "UEFI diagnostic

codes." Then, in the information center, open the topic for the UEFI diagnostic code and follow the instructions under "User response."

Related links

- "Finding the UEFI diagnostic code" on page 824

- **806f0513-3103ffff : A PCI SERR has occurred on system [ComputerSystemElementName].**

A PCI system error has been detected in the I/O expansion adapter in PCIe adapter slot 3 in the PCI expansion unit.

Severity

Error

Serviceable

Yes

Automatically notify support

No

Alert Category

Critical - Other

SNMP Trap ID

50

CIM Information

Prefix: PLAT **ID:** 0234

User Response

This is a UEFI detected event. To find the UEFI diagnostic code for this event, in the information center, follow the instructions in "Finding the UEFI diagnostic code" under "UEFI diagnostic codes." Then, in the information center, open the topic for the UEFI diagnostic code and follow the instructions under "User response."

Related links

- "Finding the UEFI diagnostic code" on page 824

- **806f0513-3104ffff : A PCI SERR has occurred on system [ComputerSystemElementName].**

A PCI system error has been detected in the I/O expansion adapter in PCIe adapter slot 4 in the PCI expansion unit.

Severity

Error

Serviceable

Yes

Automatically notify support

No

Alert Category

Critical - Other

SNMP Trap ID

50

CIM Information

Prefix: PLAT ID: 0234

User Response

This is a UEFI detected event. To find the UEFI diagnostic code for this event, in the information center, follow the instructions in "Finding the UEFI diagnostic code" under "UEFI diagnostic codes." Then, in the information center, open the topic for the UEFI diagnostic code and follow the instructions under "User response."

Related links

- "Finding the UEFI diagnostic code" on page 824

- **806f052b-2101ffff : Invalid or Unsupported firmware or software was detected on system [ComputerSystemElementName].**

The IMM primary firmware image has been corrupted. The IMM is running on the backup image.

Severity

Error

Serviceable

Yes

Automatically notify support

No

Alert Category

Critical - Other

SNMP Trap ID

50

CIM Information

Prefix: PLAT ID: 0446

User Response

Update the IMM firmware.

Related links

- "Updating firmware and device drivers" on page 21
- IBM Flex System and IBM PureFlex Firmware Updates Best Practices

- **806f0607-0301ffff : An SM BIOS Uncorrectable CPU complex error for CPU 1 has asserted.**

An SM BIOS Uncorrectable CPU complex error has been detected.

Severity

Error

Serviceable

Yes

Automatically notify support

No

Alert Category

Critical - CPU

SNMP Trap ID

40

CIM Information**Prefix:** PLAT ID: 0816**User Response**

This is a UEFI detected event. To find the UEFI diagnostic code for this event, in the information center, follow the instructions in "Finding the UEFI diagnostic code" under "UEFI diagnostic codes." Then, in the information center, open the topic for the UEFI diagnostic code and follow the instructions under "User response."

Related links

- "Finding the UEFI diagnostic code" on page 824

- **806f0607-0302ffff : An SM BIOS Uncorrectable CPU complex error for CPU 2 has asserted.**

An SM BIOS Uncorrectable CPU complex error has been detected.

Severity

Error

Serviceable

Yes

Automatically notify support

No

Alert Category

Critical - CPU

SNMP Trap ID

40

CIM Information**Prefix:** PLAT ID: 0816**User Response**

This is a UEFI detected event. To find the UEFI diagnostic code for this event, in the information center, follow the instructions in "Finding the UEFI diagnostic code" under "UEFI diagnostic codes." Then, in the information center, open the topic for the UEFI diagnostic code and follow the instructions under "User response."

Related links

- "Finding the UEFI diagnostic code" on page 824

- **806f0607-2584ffff : An SM BIOS Uncorrectable CPU complex error for [ProcessorElementName] has asserted.**

An SM BIOS Uncorrectable CPU complex error has been detected, All CPUs or One of CPUs.

Severity

Error

Serviceable

Yes

Automatically notify support

No

Alert Category

Critical - CPU

SNMP Trap ID

40

CIM Information

Prefix: PLAT ID: 0816

User Response

This is a UEFI detected event. To find the UEFI diagnostic code for this event, in the information center, follow the instructions in "Finding the UEFI diagnostic code" under "UEFI diagnostic codes." Then, in the information center, open the topic for the UEFI diagnostic code and follow the instructions under "User response."

Related links

- "Finding the UEFI diagnostic code" on page 824

- **806f060d-0400ffff : Array [ComputerSystemElementName] has failed.**

The RAID array has failed.

Severity

Error

Serviceable

Yes

Automatically notify support

Yes

Alert Category

Critical - Hard Disk drive

SNMP Trap ID

5

CIM Information

Prefix: PLAT ID: 0176

User Response

Complete the following steps:

- Replace any hard disk drive that is indicated by a lit status LED.
- Re-create the array.
- Restore the data from a backup.

- **806f060d-0401ffff : Array [ComputerSystemElementName] has failed.**

The RAID array has failed.

Severity

Error

Serviceable

Yes

Automatically notify support

Yes

Alert Category

Critical - Hard Disk drive

SNMP Trap ID

5

CIM Information

Prefix: PLAT ID: 0176

User Response

Complete the following steps:

- Replace any hard disk drive that is indicated by a lit status LED.
- Re-create the array.
- Restore the data from a backup.

- **806f060d-0402ffff : Array [ComputerSystemElementName] has failed.**

The RAID array has failed.

Severity

Error

Serviceable

Yes

Automatically notify support

Yes

Alert Category

Critical - Hard Disk drive

SNMP Trap ID

5

CIM Information

Prefix: PLAT ID: 0176

User Response

Complete the following steps:

- Replace any hard disk drive that is indicated by a lit status LED.
- Re-create the array.
- Restore the data from a backup.

- **806f060d-0403ffff : Array [ComputerSystemElementName] has failed.**

The RAID array has failed.

Severity

Error

Serviceable

Yes

Automatically notify support

Yes

Alert Category

Critical - Hard Disk drive

SNMP Trap ID

5

CIM Information**Prefix:** PLAT **ID:** 0176**User Response**

Complete the following steps:

- Replace any hard disk drive that is indicated by a lit status LED.
- Re-create the array.
- Restore the data from a backup.

- **806f060d-0404ffff : Array [ComputerSystemElementName] has failed.**

The RAID array has failed.

Severity

Error

Serviceable

Yes

Automatically notify support

Yes

Alert Category

Critical - Hard Disk drive

SNMP Trap ID

5

CIM Information**Prefix:** PLAT **ID:** 0176**User Response**

Complete the following steps:

- Replace any hard disk drive that is indicated by a lit status LED.
- Re-create the array.
- Restore the data from a backup.

- **806f060d-0405ffff : Array [ComputerSystemElementName] has failed.**

The RAID array has failed.

Severity

Error

Serviceable

Yes

Automatically notify support

Yes

Alert Category

Critical - Hard Disk drive

SNMP Trap ID

5

CIM Information

Prefix: PLAT ID: 0176

User Response

Complete the following steps:

- Replace any hard disk drive that is indicated by a lit status LED.
- Re-create the array.
- Restore the data from a backup.

- **806f060d-0406ffff : Array [ComputerSystemElementName] has failed.**

The RAID array has failed.

Severity

Error

Serviceable

Yes

Automatically notify support

Yes

Alert Category

Critical - Hard Disk drive

SNMP Trap ID

5

CIM Information

Prefix: PLAT ID: 0176

User Response

Complete the following steps:

- Replace any hard disk drive that is indicated by a lit status LED.
- Re-create the array.
- Restore the data from a backup.

- **806f060d-0407ffff : Array [ComputerSystemElementName] has failed.**

The RAID array has failed.

Severity

Error

Serviceable

Yes

Automatically notify support

Yes

Alert Category

Critical - Hard Disk drive

SNMP Trap ID

5

CIM Information

Prefix: PLAT ID: 0176

User Response

Complete the following steps:

- Replace any hard disk drive that is indicated by a lit status LED.
- Re-create the array.
- Restore the data from a backup.

- **806f060d-0408ffff : Array [ComputerSystemElementName] has failed.**

The RAID array has failed.

Severity

Error

Serviceable

Yes

Automatically notify support

Yes

Alert Category

Critical - Hard Disk drive

SNMP Trap ID

5

CIM Information

Prefix: PLAT ID: 0176

User Response

Complete the following steps:

- Replace any hard disk drive that is indicated by a lit status LED.
- Re-create the array.
- Restore the data from a backup.

- **806f060d-0409ffff : Array [ComputerSystemElementName] has failed.**

The RAID array has failed.

Severity

Error

Serviceable

Yes

Automatically notify support

Yes

Alert Category

Critical - Hard Disk drive

SNMP Trap ID

5

CIM Information

Prefix: PLAT ID: 0176

User Response

Complete the following steps:

- Replace any hard disk drive that is indicated by a lit status LED.
- Re-create the array.
- Restore the data from a backup.

- **806f060d-040affff : Array [ComputerSystemElementName] has failed.**

The RAID array has failed.

Severity

Error

Serviceable

Yes

Automatically notify support

Yes

Alert Category

Critical - Hard Disk drive

SNMP Trap ID

5

CIM Information

Prefix: PLAT ID: 0176

User Response

Complete the following steps:

- Replace any hard disk drive that is indicated by a lit status LED.
- Re-create the array.
- Restore the data from a backup.

- **806f060d-040bffff : Array [ComputerSystemElementName] has failed.**

The RAID array has failed.

Severity

Error

Serviceable

Yes

Automatically notify support

Yes

Alert Category

Critical - Hard Disk drive

SNMP Trap ID

5

CIM Information

Prefix: PLAT ID: 0176

User Response

Complete the following steps:

- Replace any hard disk drive that is indicated by a lit status LED.
- Re-create the array.
- Restore the data from a backup.

- **806f060d-040cffff : Array [ComputerSystemElementName] has failed.**

The RAID array has failed.

Severity

Error

Serviceable

Yes

Automatically notify support

Yes

Alert Category

Critical - Hard Disk drive

SNMP Trap ID

5

CIM Information

Prefix: PLAT ID: 0176

User Response

Complete the following steps:

- Replace any hard disk drive that is indicated by a lit status LED.
- Re-create the array.
- Restore the data from a backup.

- **806f060d-040dffff : Array [ComputerSystemElementName] has failed.**

The RAID array has failed.

Severity

Error

Serviceable

Yes

Automatically notify support

Yes

Alert Category

Critical - Hard Disk drive

SNMP Trap ID

5

CIM Information

Prefix: PLAT ID: 0176

User Response

Complete the following steps:

- Replace any hard disk drive that is indicated by a lit status LED.
- Re-create the array.
- Restore the data from a backup.

- **806f060d-040effff : Array [ComputerSystemElementName] has failed.**

The RAID array has failed.

Severity

Error

Serviceable

Yes

Automatically notify support

Yes

Alert Category

Critical - Hard Disk drive

SNMP Trap ID

5

CIM Information

Prefix: PLAT ID: 0176

User Response

Complete the following steps:

- Replace any hard disk drive that is indicated by a lit status LED.
- Re-create the array.
- Restore the data from a backup.

- **806f060d-040ffff : Array [ComputerSystemElementName] has failed.**

The RAID array has failed.

Severity

Error

Serviceable

Yes

Automatically notify support

Yes

Alert Category

Critical - Hard Disk drive

SNMP Trap ID

5

CIM Information

Prefix: PLAT ID: 0176

User Response

Complete the following steps:

- Replace any hard disk drive that is indicated by a lit status LED.
- Re-create the array.
- Restore the data from a backup.

- **806f060d-0410ffff : Array [ComputerSystemElementName] has failed.**

The RAID array has failed.

Severity

Error

Serviceable

Yes

Automatically notify support

Yes

Alert Category

Critical - Hard Disk drive

SNMP Trap ID

5

CIM Information

Prefix: PLAT ID: 0176

User Response

Complete the following steps:

- Replace any hard disk drive that is indicated by a lit status LED.
- Re-create the array.
- Restore the data from a backup.

- **806f060d-0411ffff : Array [ComputerSystemElementName] has failed.**

The RAID array has failed.

Severity

Error

Serviceable

Yes

Automatically notify support

Yes

Alert Category

Critical - Hard Disk drive

SNMP Trap ID

5

CIM Information

Prefix: PLAT ID: 0176

User Response

Complete the following steps:

- Replace any hard disk drive that is indicated by a lit status LED.
- Re-create the array.
- Restore the data from a backup.

- **806f060d-0412ffff : Array [ComputerSystemElementName] has failed.**

The RAID array has failed.

Severity

Error

Serviceable

Yes

Automatically notify support

Yes

Alert Category

Critical - Hard Disk drive

SNMP Trap ID

CIM Information**Prefix:** PLAT ID: 0176**User Response**

Complete the following steps:

- Replace any hard disk drive that is indicated by a lit status LED.
- Re-create the array.
- Restore the data from a backup.

- **806f060d-0413ffff : Array [ComputerSystemElementName] has failed.**

The RAID array has failed.

Severity

Error

Serviceable

Yes

Automatically notify support

Yes

Alert Category

Critical - Hard Disk drive

SNMP Trap ID

5

CIM Information**Prefix:** PLAT ID: 0176**User Response**

Complete the following steps:

- Replace any hard disk drive that is indicated by a lit status LED.
- Re-create the array.
- Restore the data from a backup.

- **806f060d-0414ffff : Array [ComputerSystemElementName] has failed.**

The RAID array has failed.

Severity

Error

Serviceable

Yes

Automatically notify support

Yes

Alert Category

Critical - Hard Disk drive

SNMP Trap ID

5

CIM Information**Prefix:** PLAT ID: 0176

User Response

Complete the following steps:

- Replace any hard disk drive that is indicated by a lit status LED.
- Re-create the array.
- Restore the data from a backup.

- **806f060d-0415ffff : Array [ComputerSystemElementName] has failed.**

The RAID array has failed.

Severity

Error

Serviceable

Yes

Automatically notify support

Yes

Alert Category

Critical - Hard Disk drive

SNMP Trap ID

5

CIM Information

Prefix: PLAT ID: 0176

User Response

Complete the following steps:

- Replace any hard disk drive that is indicated by a lit status LED.
- Re-create the array.
- Restore the data from a backup.

- **806f060d-0416ffff : Array [ComputerSystemElementName] has failed.**

The RAID array has failed.

Severity

Error

Serviceable

Yes

Automatically notify support

Yes

Alert Category

Critical - Hard Disk drive

SNMP Trap ID

5

CIM Information

Prefix: PLAT ID: 0176

User Response

Complete the following steps:

- Replace any hard disk drive that is indicated by a lit status LED.
- Re-create the array.

- Restore the data from a backup.

- **806f060d-0417ffff : Array [ComputerSystemElementName] has failed.**

The RAID array has failed.

Severity

Error

Serviceable

Yes

Automatically notify support

Yes

Alert Category

Critical - Hard Disk drive

SNMP Trap ID

5

CIM Information

Prefix: PLAT ID: 0176

User Response

Complete the following steps:

- Replace any hard disk drive that is indicated by a lit status LED.
- Re-create the array.
- Restore the data from a backup.

- **806f070c-2001ffff : Configuration Error for DIMM 1 on Subsystem [MemoryElementName].**

A Memory DIMM configuration error has been detected.

Severity

Error

Serviceable

Yes

Automatically notify support

No

Alert Category

Critical - Memory

SNMP Trap ID

41

CIM Information

Prefix: PLAT ID: 0126

User Response

This is a UEFI detected event. To find the UEFI diagnostic code for this event, in the information center, follow the instructions in "Finding the UEFI diagnostic code" under "UEFI diagnostic codes." Then, in the information center, open the topic for the UEFI diagnostic code and follow the instructions under "User response."

Related links

– “Finding the UEFI diagnostic code” on page 824

- **806f070c-2002ffff : Configuration Error for DIMM 2 on Subsystem [MemoryElementName].**

A Memory DIMM configuration error has been detected.

Severity

Error

Serviceable

Yes

Automatically notify support

No

Alert Category

Critical - Memory

SNMP Trap ID

41

CIM Information

Prefix: PLAT ID: 0126

User Response

This is a UEFI detected event. To find the UEFI diagnostic code for this event, in the information center, follow the instructions in "Finding the UEFI diagnostic code" under "UEFI diagnostic codes." Then, in the information center, open the topic for the UEFI diagnostic code and follow the instructions under "User response."

Related links

– “Finding the UEFI diagnostic code” on page 824

- **806f070c-2003ffff : A Memory DIMM configuration error has been detected.**

A Memory DIMM configuration error has been detected.

Severity

Error

Serviceable

Yes

Automatically notify support

No

Alert Category

Critical - Memory

SNMP Trap ID

41

CIM Information

Prefix: PLAT ID: 0126

User Response

This is a UEFI detected event. To find the UEFI diagnostic code for this event, in the information center, follow the instructions in "Finding the UEFI diagnostic code" under "UEFI diagnostic

codes." Then, in the information center, open the topic for the UEFI diagnostic code and follow the instructions under "User response."

Related links

- "Finding the UEFI diagnostic code" on page 824

- **806f070c-2004ffff : Configuration Error for DIMM 4 on Subsystem [MemoryElementName].**

A Memory DIMM configuration error has been detected.

Severity

Error

Serviceable

Yes

Automatically notify support

No

Alert Category

Critical - Memory

SNMP Trap ID

41

CIM Information

Prefix: PLAT ID: 0126

User Response

This is a UEFI detected event. To find the UEFI diagnostic code for this event, in the information center, follow the instructions in "Finding the UEFI diagnostic code" under "UEFI diagnostic codes." Then, in the information center, open the topic for the UEFI diagnostic code and follow the instructions under "User response."

Related links

- "Finding the UEFI diagnostic code" on page 824

- **806f070c-2005ffff : Configuration Error for DIMM 5 on Subsystem [MemoryElementName].**

A Memory DIMM configuration error has been detected.

Severity

Error

Serviceable

Yes

Automatically notify support

No

Alert Category

Critical - Memory

SNMP Trap ID

41

CIM Information

Prefix: PLAT ID: 0126

User Response

This is a UEFI detected event. To find the UEFI diagnostic code for this event, in the information center, follow the instructions in "Finding the UEFI diagnostic code" under "UEFI diagnostic codes." Then, in the information center, open the topic for the UEFI diagnostic code and follow the instructions under "User response."

Related links

- "Finding the UEFI diagnostic code" on page 824

- **806f070c-2006ffff : Configuration Error for DIMM 6 on Subsystem [MemoryElementName].**

A Memory DIMM configuration error has been detected.

Severity

Error

Serviceable

Yes

Automatically notify support

No

Alert Category

Critical - Memory

SNMP Trap ID

41

CIM Information

Prefix: PLAT **ID:** 0126

User Response

This is a UEFI detected event. To find the UEFI diagnostic code for this event, in the information center, follow the instructions in "Finding the UEFI diagnostic code" under "UEFI diagnostic codes." Then, in the information center, open the topic for the UEFI diagnostic code and follow the instructions under "User response."

Related links

- "Finding the UEFI diagnostic code" on page 824

- **806f070c-2007ffff : Configuration Error for DIMM 7 on Subsystem [MemoryElementName].**

A Memory DIMM configuration error has been detected.

Severity

Error

Serviceable

Yes

Automatically notify support

No

Alert Category

Critical - Memory

SNMP Trap ID

41

CIM Information

Prefix: PLAT ID: 0126

User Response

This is a UEFI detected event. To find the UEFI diagnostic code for this event, in the information center, follow the instructions in "Finding the UEFI diagnostic code" under "UEFI diagnostic codes." Then, in the information center, open the topic for the UEFI diagnostic code and follow the instructions under "User response."

Related links

- "Finding the UEFI diagnostic code" on page 824

- **806f070c-2008ffff : Configuration Error for DIMM 8 on Subsystem [MemoryElementName].**

A Memory DIMM configuration error has been detected.

Severity

Error

Serviceable

Yes

Automatically notify support

No

Alert Category

Critical - Memory

SNMP Trap ID

41

CIM Information

Prefix: PLAT ID: 0126

User Response

This is a UEFI detected event. To find the UEFI diagnostic code for this event, in the information center, follow the instructions in "Finding the UEFI diagnostic code" under "UEFI diagnostic codes." Then, in the information center, open the topic for the UEFI diagnostic code and follow the instructions under "User response."

Related links

- "Finding the UEFI diagnostic code" on page 824

- **806f070c-2009ffff : Configuration Error for DIMM 9 on Subsystem [MemoryElementName].**

A Memory DIMM configuration error has been detected.

Severity

Error

Serviceable

Yes

Automatically notify support

No

Alert Category

Critical - Memory

SNMP Trap ID

41

CIM Information**Prefix: PLAT ID: 0126****User Response**

This is a UEFI detected event. To find the UEFI diagnostic code for this event, in the information center, follow the instructions in "Finding the UEFI diagnostic code" under "UEFI diagnostic codes." Then, in the information center, open the topic for the UEFI diagnostic code and follow the instructions under "User response."

Related links

- "Finding the UEFI diagnostic code" on page 824

- **806f070c-200affff : Configuration Error for DIMM 10 on Subsystem [MemoryElementName].**

A Memory DIMM configuration error has been detected.

Severity

Error

Serviceable

Yes

Automatically notify support

No

Alert Category

Critical - Memory

SNMP Trap ID

41

CIM Information**Prefix: PLAT ID: 0126****User Response**

This is a UEFI detected event. To find the UEFI diagnostic code for this event, in the information center, follow the instructions in "Finding the UEFI diagnostic code" under "UEFI diagnostic codes." Then, in the information center, open the topic for the UEFI diagnostic code and follow the instructions under "User response."

Related links

- "Finding the UEFI diagnostic code" on page 824

- **806f070c-200bffff : Configuration Error for DIMM 11 on Subsystem [MemoryElementName].**

A Memory DIMM configuration error has been detected.

Severity

Error

Serviceable

Yes

Automatically notify support

No

Alert Category

Critical - Memory

SNMP Trap ID

41

CIM Information

Prefix: PLAT ID: 0126

User Response

This is a UEFI detected event. To find the UEFI diagnostic code for this event, in the information center, follow the instructions in "Finding the UEFI diagnostic code" under "UEFI diagnostic codes." Then, in the information center, open the topic for the UEFI diagnostic code and follow the instructions under "User response."

Related links

- "Finding the UEFI diagnostic code" on page 824

- **806f070c-200cffff : Configuration Error for DIMM 12 on Subsystem [MemoryElementName].**

A Memory DIMM configuration error has been detected.

Severity

Error

Serviceable

Yes

Automatically notify support

No

Alert Category

Critical - Memory

SNMP Trap ID

41

CIM Information

Prefix: PLAT ID: 0126

User Response

This is a UEFI detected event. To find the UEFI diagnostic code for this event, in the information center, follow the instructions in "Finding the UEFI diagnostic code" under "UEFI diagnostic codes." Then, in the information center, open the topic for the UEFI diagnostic code and follow the instructions under "User response."

Related links

- "Finding the UEFI diagnostic code" on page 824

- **806f070c-200dffff : Configuration Error for DIMM 13 on Subsystem [MemoryElementName].**

A Memory DIMM configuration error has been detected.

Severity

Error

Serviceable

Yes

Automatically notify support

No

Alert Category

Critical - Memory

SNMP Trap ID

41

CIM Information

Prefix: PLAT ID: 0126

User Response

This is a UEFI detected event. To find the UEFI diagnostic code for this event, in the information center, follow the instructions in "Finding the UEFI diagnostic code" under "UEFI diagnostic codes." Then, in the information center, open the topic for the UEFI diagnostic code and follow the instructions under "User response."

Related links

- "Finding the UEFI diagnostic code" on page 824

- **806f070c-200effff : Configuration Error for DIMM 14 on Subsystem [MemoryElementName].**

A Memory DIMM configuration error has been detected.

Severity

Error

Serviceable

Yes

Automatically notify support

No

Alert Category

Critical - Memory

SNMP Trap ID

41

CIM Information

Prefix: PLAT ID: 0126

User Response

This is a UEFI detected event. To find the UEFI diagnostic code for this event, in the information center, follow the instructions in "Finding the UEFI diagnostic code" under "UEFI diagnostic codes." Then, in the information center, open the topic for the UEFI diagnostic code and follow the instructions under "User response."

Related links

- "Finding the UEFI diagnostic code" on page 824

- **806f070c-200fffff : Configuration Error for DIMM 15 on Subsystem [MemoryElementName].**

A Memory DIMM configuration error has been detected.

Severity

Error

Serviceable

Yes

Automatically notify support

No

Alert Category

Critical - Memory

SNMP Trap ID

41

CIM Information

Prefix: PLAT ID: 0126

User Response

This is a UEFI detected event. To find the UEFI diagnostic code for this event, in the information center, follow the instructions in "Finding the UEFI diagnostic code" under "UEFI diagnostic codes." Then, in the information center, open the topic for the UEFI diagnostic code and follow the instructions under "User response."

Related links

– "Finding the UEFI diagnostic code" on page 824

- **806f070c-2010ffff : Configuration Error for DIMM 16 on Subsystem [MemoryElementName].**

A Memory DIMM configuration error has been detected.

Severity

Error

Serviceable

Yes

Automatically notify support

No

Alert Category

Critical - Memory

SNMP Trap ID

41

CIM Information

Prefix: PLAT ID: 0126

User Response

This is a UEFI detected event. To find the UEFI diagnostic code for this event, in the information center, follow the instructions in "Finding the UEFI diagnostic code" under "UEFI diagnostic codes." Then, in the information center, open the topic for the UEFI diagnostic code and follow the instructions under "User response."

Related links

– "Finding the UEFI diagnostic code" on page 824

- **806f070c-2011ffff : Configuration Error for DIMM 17 on Subsystem [MemoryElementName].**

A Memory DIMM configuration error has been detected.

Severity

Error

Serviceable

Yes

Automatically notify support

No

Alert Category

Critical - Memory

SNMP Trap ID

41

CIM Information

Prefix: PLAT ID: 0126

User Response

This is a UEFI detected event. To find the UEFI diagnostic code for this event, in the information center, follow the instructions in "Finding the UEFI diagnostic code" under "UEFI diagnostic codes." Then, in the information center, open the topic for the UEFI diagnostic code and follow the instructions under "User response."

Related links

- "Finding the UEFI diagnostic code" on page 824

- **806f070c-2012ffff : Configuration Error for DIMM 18 on Subsystem [MemoryElementName].**

A Memory DIMM configuration error has been detected.

Severity

Error

Serviceable

Yes

Automatically notify support

No

Alert Category

Critical - Memory

SNMP Trap ID

41

CIM Information

Prefix: PLAT ID: 0126

User Response

This is a UEFI detected event. To find the UEFI diagnostic code for this event, in the information center, follow the instructions in "Finding the UEFI diagnostic code" under "UEFI diagnostic codes." Then, in the information center, open the topic for the UEFI diagnostic code and follow the instructions under "User response."

Related links

- "Finding the UEFI diagnostic code" on page 824

- **806f070c-2013ffff : Configuration Error for DIMM 19 on Subsystem [MemoryElementName].**

A Memory DIMM configuration error has been detected.

Severity

Error

Serviceable

Yes

Automatically notify support

No

Alert Category

Critical - Memory

SNMP Trap ID

41

CIM Information

Prefix: PLAT ID: 0126

User Response

This is a UEFI detected event. To find the UEFI diagnostic code for this event, in the information center, follow the instructions in "Finding the UEFI diagnostic code" under "UEFI diagnostic codes." Then, in the information center, open the topic for the UEFI diagnostic code and follow the instructions under "User response."

Related links

- "Finding the UEFI diagnostic code" on page 824

- **806f070c-2014ffff : Configuration Error for DIMM 20 on Subsystem [MemoryElementName].**

A Memory DIMM configuration error has been detected.

Severity

Error

Serviceable

Yes

Automatically notify support

No

Alert Category

Critical - Memory

SNMP Trap ID

41

CIM Information

Prefix: PLAT ID: 0126

User Response

This is a UEFI detected event. To find the UEFI diagnostic code for this event, in the information center, follow the instructions in "Finding the UEFI diagnostic code" under "UEFI diagnostic codes." Then, in the information center, open the topic for the UEFI diagnostic code and follow the instructions under "User response."

Related links

- "Finding the UEFI diagnostic code" on page 824

- **806f070c-2015ffff : Configuration Error for DIMM 21 on Subsystem [MemoryElementName].**

A Memory DIMM configuration error has been detected.

Severity

Error

Serviceable

Yes

Automatically notify support

No

Alert Category

Critical - Memory

SNMP Trap ID

41

CIM Information

Prefix: PLAT ID: 0126

User Response

This is a UEFI detected event. To find the UEFI diagnostic code for this event, in the information center, follow the instructions in "Finding the UEFI diagnostic code" under "UEFI diagnostic codes." Then, in the information center, open the topic for the UEFI diagnostic code and follow the instructions under "User response."

Related links

- "Finding the UEFI diagnostic code" on page 824

- **806f070c-2016ffff : Configuration Error for DIMM 22 on Subsystem [MemoryElementName].**

A Memory DIMM configuration error has been detected.

Severity

Error

Serviceable

Yes

Automatically notify support

No

Alert Category

Critical - Memory

SNMP Trap ID

41

CIM Information

Prefix: PLAT ID: 0126

User Response

This is a UEFI detected event. To find the UEFI diagnostic code for this event, in the information center, follow the instructions in "Finding the UEFI diagnostic code" under "UEFI diagnostic

codes." Then, in the information center, open the topic for the UEFI diagnostic code and follow the instructions under "User response."

Related links

- "Finding the UEFI diagnostic code" on page 824

- **806f070c-2017ffff : Configuration Error for DIMM 23 on Subsystem [MemoryElementName].**

A Memory DIMM configuration error has been detected.

Severity

Error

Serviceable

Yes

Automatically notify support

No

Alert Category

Critical - Memory

SNMP Trap ID

41

CIM Information

Prefix: PLAT ID: 0126

User Response

This is a UEFI detected event. To find the UEFI diagnostic code for this event, in the information center, follow the instructions in "Finding the UEFI diagnostic code" under "UEFI diagnostic codes." Then, in the information center, open the topic for the UEFI diagnostic code and follow the instructions under "User response."

Related links

- "Finding the UEFI diagnostic code" on page 824

- **806f070c-2018ffff : Configuration Error for DIMM 24 on Subsystem [MemoryElementName].**

A Memory DIMM configuration error has been detected.

Severity

Error

Serviceable

Yes

Automatically notify support

No

Alert Category

Critical - Memory

SNMP Trap ID

41

CIM Information

Prefix: PLAT ID: 0126

User Response

This is a UEFI detected event. To find the UEFI diagnostic code for this event, in the information center, follow the instructions in "Finding the UEFI diagnostic code" under "UEFI diagnostic codes." Then, in the information center, open the topic for the UEFI diagnostic code and follow the instructions under "User response."

Related links

- "Finding the UEFI diagnostic code" on page 824

- **806f070c-2581ffff : Configuration Error for [PhysicalMemoryElementName] on Subsystem [MemoryElementName].**

A Memory DIMM configuration error has been detected.

Severity

Error

Serviceable

Yes

Automatically notify support

No

Alert Category

Critical - Memory

SNMP Trap ID

41

CIM Information

Prefix: PLAT **ID:** 0126

User Response

This is a UEFI detected event. To find the UEFI diagnostic code for this event, in the information center, follow the instructions in "Finding the UEFI diagnostic code" under "UEFI diagnostic codes." Then, in the information center, open the topic for the UEFI diagnostic code and follow the instructions under "User response."

Related links

- "Finding the UEFI diagnostic code" on page 824

- **806f070d-0400ffff : Rebuild in progress for Array in system [ComputerSystemElementName].**

The RAID array in the specified system is being rebuilt.

Severity

Info

Serviceable

No

Automatically notify support

No

Alert Category

System - Other

SNMP Trap ID

CIM Information

Prefix: PLAT ID: 0178

User Response

Information only; no action is required.

- **806f070d-0401ffff : Rebuild in progress for Array in system [ComputerSystemElementName].**
The RAID array in the specified system is being rebuilt.

Severity

Info

Serviceable

No

Automatically notify support

No

Alert Category

System - Other

SNMP Trap ID**CIM Information**

Prefix: PLAT ID: 0178

User Response

Information only; no action is required.

- **806f070d-0402ffff : Rebuild in progress for Array in system [ComputerSystemElementName].**
The RAID array in the specified system is being rebuilt.

Severity

Info

Serviceable

No

Automatically notify support

No

Alert Category

System - Other

SNMP Trap ID**CIM Information**

Prefix: PLAT ID: 0178

User Response

Information only; no action is required.

- **806f070d-0403ffff : Rebuild in progress for Array in system [ComputerSystemElementName].**

The RAID array in the specified system is being rebuilt.

Severity

Info

Serviceable

No

Automatically notify support

No

Alert Category

System - Other

SNMP Trap ID

CIM Information

Prefix: PLAT **ID:** 0178

User Response

Information only; no action is required.

- **806f070d-0404ffff : Rebuild in progress for Array in system [ComputerSystemElementName].**

The RAID array in the specified system is being rebuilt.

Severity

Info

Serviceable

No

Automatically notify support

No

Alert Category

System - Other

SNMP Trap ID

CIM Information

Prefix: PLAT **ID:** 0178

User Response

Information only; no action is required.

- **806f070d-0405ffff : Rebuild in progress for Array in system [ComputerSystemElementName].**

The RAID array in the specified system is being rebuilt.

Severity

Info

Serviceable

No

Automatically notify support

No

Alert Category

System - Other

SNMP Trap ID**CIM Information**

Prefix: PLAT ID: 0178

User Response

Information only; no action is required.

- **806f070d-0406ffff : Rebuild in progress for Array in system [ComputerSystemElementName].**

The RAID array in the specified system is being rebuilt.

Severity

Info

Serviceable

No

Automatically notify support

No

Alert Category

System - Other

SNMP Trap ID**CIM Information**

Prefix: PLAT ID: 0178

User Response

Information only; no action is required.

- **806f070d-0407ffff : Rebuild in progress for Array in system [ComputerSystemElementName].**

The RAID array in the specified system is being rebuilt.

Severity

Info

Serviceable

No

Automatically notify support

No

Alert Category

System - Other

SNMP Trap ID**CIM Information**

Prefix: PLAT ID: 0178

User Response

Information only; no action is required.

- **806f070d-0408ffff : Rebuild in progress for Array in system [ComputerSystemElementName].**
The RAID array in the specified system is being rebuilt.

Severity

Info

Serviceable

No

Automatically notify support

No

Alert Category

System - Other

SNMP Trap ID

CIM Information

Prefix: PLAT ID: 0178

User Response

Information only; no action is required.

- **806f070d-0409ffff : Rebuild in progress for Array in system [ComputerSystemElementName].**
The RAID array in the specified system is being rebuilt.

Severity

Info

Serviceable

No

Automatically notify support

No

Alert Category

System - Other

SNMP Trap ID

CIM Information

Prefix: PLAT ID: 0178

User Response

Information only; no action is required.

- **806f070d-040affff : Rebuild in progress for Array in system [ComputerSystemElementName].**
The RAID array in the specified system is being rebuilt.

Severity

Info

Serviceable

No

Automatically notify support

No

Alert Category

System - Other

SNMP Trap ID

CIM Information

Prefix: PLAT ID: 0178

User Response

Information only; no action is required.

- **806f070d-040bffff : Rebuild in progress for Array in system [ComputerSystemElementName].**

The RAID array in the specified system is being rebuilt.

Severity

Info

Serviceable

No

Automatically notify support

No

Alert Category

System - Other

SNMP Trap ID

CIM Information

Prefix: PLAT ID: 0178

User Response

Information only; no action is required.

- **806f070d-040cffff : Rebuild in progress for Array in system [ComputerSystemElementName].**

The RAID array in the specified system is being rebuilt.

Severity

Info

Serviceable

No

Automatically notify support

No

Alert Category

System - Other

SNMP Trap ID

CIM Information

Prefix: PLAT ID: 0178

User Response

Information only; no action is required.

- **806f070d-040dffff : Rebuild in progress for Array in system [ComputerSystemElementName].**

The RAID array in the specified system is being rebuilt.

Severity

Info

Serviceable

No

Automatically notify support

No

Alert Category

System - Other

SNMP Trap ID**CIM Information**

Prefix: PLAT ID: 0178

User Response

Information only; no action is required.

- **806f070d-040effff : Rebuild in progress for Array in system [ComputerSystemElementName].**

The RAID array in the specified system is being rebuilt.

Severity

Info

Serviceable

No

Automatically notify support

No

Alert Category

System - Other

SNMP Trap ID**CIM Information**

Prefix: PLAT ID: 0178

User Response

Information only; no action is required.

- **806f070d-040fffff : Rebuild in progress for Array in system [ComputerSystemElementName].**

The RAID array in the specified system is being rebuilt.

Severity

Info

Serviceable

No

Automatically notify support

No

Alert Category

System - Other

SNMP Trap ID**CIM Information**

Prefix: PLAT ID: 0178

User Response

Information only; no action is required.

- **806f070d-0410ffff : Rebuild in progress for Array in system [ComputerSystemElementName].**

The RAID array in the specified system is being rebuilt.

Severity

Info

Serviceable

No

Automatically notify support

No

Alert Category

System - Other

SNMP Trap ID**CIM Information**

Prefix: PLAT ID: 0178

User Response

Information only; no action is required.

- **806f070d-0411ffff : Rebuild in progress for Array in system [ComputerSystemElementName].**

The RAID array in the specified system is being rebuilt.

Severity

Info

Serviceable

No

Automatically notify support

No

Alert Category

System - Other

SNMP Trap ID

CIM Information

Prefix: PLAT ID: 0178

User Response

Information only; no action is required.

- **806f070d-0412ffff : Rebuild in progress for Array in system [ComputerSystemElementName].**

The RAID array in the specified system is being rebuilt.

Severity

Info

Serviceable

No

Automatically notify support

No

Alert Category

System - Other

SNMP Trap ID**CIM Information**

Prefix: PLAT ID: 0178

User Response

Information only; no action is required.

- **806f070d-0413ffff : Rebuild in progress for Array in system [ComputerSystemElementName].**

The RAID array in the specified system is being rebuilt.

Severity

Info

Serviceable

No

Automatically notify support

No

Alert Category

System - Other

SNMP Trap ID**CIM Information**

Prefix: PLAT ID: 0178

User Response

Information only; no action is required.

- **806f070d-0414ffff : Rebuild in progress for Array in system [ComputerSystemElementName].**

The RAID array in the specified system is being rebuilt.

Severity

Info

Serviceable

No

Automatically notify support

No

Alert Category

System - Other

SNMP Trap ID**CIM Information**

Prefix: PLAT ID: 0178

User Response

Information only; no action is required.

- **806f070d-0415ffff : Rebuild in progress for Array in system [ComputerSystemElementName].**
The RAID array in the specified system is being rebuilt.

Severity

Info

Serviceable

No

Automatically notify support

No

Alert Category

System - Other

SNMP Trap ID**CIM Information**

Prefix: PLAT ID: 0178

User Response

Information only; no action is required.

- **806f070d-0416ffff : Rebuild in progress for Array in system [ComputerSystemElementName].**
The RAID array in the specified system is being rebuilt.

Severity

Info

Serviceable

No

Automatically notify support

No

Alert Category

System - Other

SNMP Trap ID

CIM Information

Prefix: PLAT ID: 0178

User Response

Information only; no action is required.

- **806f070d-0417ffff : Rebuild in progress for Array in system [ComputerSystemElementName].**

The RAID array in the specified system is being rebuilt.

Severity

Info

Serviceable

No

Automatically notify support

No

Alert Category

System - Other

SNMP Trap ID

CIM Information

Prefix: PLAT ID: 0178

User Response

Information only; no action is required.

- **806f072b-2101ffff : A successful software or firmware change was detected on system [ComputerSystemElementName].**

A successful software or firmware change (IMM Promotion or IMM Recovery) has been detected.

Severity

Info

Serviceable

No

Automatically notify support

No

Alert Category

System - Other

SNMP Trap ID

CIM Information

Prefix: PLAT ID: 0450

User Response

Information only; no action is required.

- **806f072b-2201ffff : A successful software or firmware change was detected on system [ComputerSystemElementName].**

A successful software or firmware change occurred for Bkup Auto Update or ROM Recovery.

Severity

Info

Serviceable

No

Automatically notify support

No

Alert Category

System - Other

SNMP Trap ID

CIM Information

Prefix: PLAT ID: 0450

User Response

Information only; no action is required.

- **806f0807-0301ffff : CPU 1 has been Disabled.**

A processor has been disabled.

Severity

Info

Serviceable

No

Automatically notify support

No

Alert Category

System - Other

SNMP Trap ID

CIM Information

Prefix: PLAT ID: 0061

User Response

This is a UEFI detected event. To find the UEFI diagnostic code for this event, in the information center, follow the instructions in "Finding the UEFI diagnostic code" under "UEFI diagnostic codes." Then, in the information center, open the topic for the UEFI diagnostic code and follow the instructions under "User response."

Related links

- "Finding the UEFI diagnostic code" on page 824

- **806f0807-0302ffff : CPU 2 has been Disabled.**

A processor has been disabled.

Severity

Info

Serviceable

No

Automatically notify support

No

Alert Category

System - Other

SNMP Trap ID

CIM Information

Prefix: PLAT ID: 0061

User Response

This is a UEFI detected event. To find the UEFI diagnostic code for this event, in the information center, follow the instructions in "Finding the UEFI diagnostic code" under "UEFI diagnostic codes." Then, in the information center, open the topic for the UEFI diagnostic code and follow the instructions under "User response."

Related links

- "Finding the UEFI diagnostic code" on page 824

- **806f0807-2584ffff : [ProcessorElementName] has been Disabled.**

A processor has been disabled, All CPUs or One of CPUs.

Severity

Info

Serviceable

No

Automatically notify support

No

Alert Category

System - Other

SNMP Trap ID

CIM Information

Prefix: PLAT ID: 0061

User Response

This is a UEFI detected event. To find the UEFI diagnostic code for this event, in the information center, follow the instructions in "Finding the UEFI diagnostic code" under "UEFI diagnostic codes." Then, in the information center, open the topic for the UEFI diagnostic code and follow the instructions under "User response."

Related links

- "Finding the UEFI diagnostic code" on page 824

- **806f0813-2581ffff : A Uncorrectable Bus Error has occurred on system [ComputerSystemElementName].**

A catastrophic system error has occurred. The system firmware will attempt to analyze the failure to determine whether the failure was due to a hardware component or a software component.

Severity

Error

Serviceable

Yes

Automatically notify support

Yes

Alert Category

Critical - Other

SNMP Trap ID

50

CIM Information

Prefix: PLAT ID: 0240

User Response

1. Check the Support Portal for service bulletins and RETAIN tips or firmware updates that might correct the error.
2. Make sure that all I/O expansion adapters have correct and matching levels of device drivers and firmware.
3. Check the system-event log for additional information about failing components.
4. If there are no entries related to the error in the system-event log, contact IBM Support and send DSA data to IBM.

- **806f0813-2584ffff : A Uncorrectable Bus Error has occurred on system [ComputerSystemElementName].**

A catastrophic system error has occurred. The system firmware will attempt to analyze the failure to determine whether the failure was due to a hardware component or a software component.

Severity

Error

Serviceable

Yes

Automatically notify support

Yes

Alert Category

Critical - Other

SNMP Trap ID

50

CIM Information

Prefix: PLAT ID: 0240

User Response

1. Check the Support Portal for service bulletins and RETAIN tips or firmware updates that might correct the error.
2. Make sure that all I/O expansion adapters have correct and matching levels of device drivers and firmware.
3. Check the system-event log for additional information about failing components.
4. If there are no entries related to the error in the system-event log, contact IBM Support and send DSA data to IBM.

- **806f0823-2101ffff : Watchdog Timer interrupt occurred for [WatchdogElementName].**

The IPMI watchdog timer has expired. A watchdog interrupt has occurred.

Severity

Info

Serviceable

No

Automatically notify support

No

Alert Category

System - Other

SNMP Trap ID

CIM Information

Prefix: PLAT ID: 0376

User Response

Information only; no action is required.

- **806f090c-20010101 : Memory device 1 in Group 1 on Subsystem System Memory Throttled**

Memory DIMM has been throttled due to high temperature detected by the DIMM sensor.

Severity

Info

Serviceable

Yes

Automatically notify support

No

Alert Category

System - Other

SNMP Trap ID

CIM Information

Prefix: PLAT ID: 0142

User Response

Complete the following steps:

1. Check the CMM or FSM event log for any fan or cooling related issues.
2. Make sure that the airflow at the front and rear of the chassis is not obstructed and that fillers are in place and correctly installed.
3. Make sure that the room temperature is within operating specifications.
4. Make sure that the DIMM baffles are in place.
5. If the problem persists and there are no other DIMMs with the same indication, replace the DIMM.

Related links

- “Removing a DIMM” on page 895
- “Installing a DIMM ” on page 897

- **806f090c-2001ffff : Memory device 1 in Group 1 on Subsystem System Memory Throttled**

Memory DIMM has been throttled due to high temperature detected by the DIMM sensor.

Severity

Info

Serviceable

Yes

Automatically notify support

No

Alert Category

System - Other

SNMP Trap ID

CIM Information

Prefix: PLAT **ID:** 0142

User Response

Complete the following steps:

1. Check the CMM or FSM event log for any fan or cooling related issues.
2. Make sure that the airflow at the front and rear of the chassis is not obstructed and that fillers are in place and correctly installed.
3. Make sure that the room temperature is within operating specifications.
4. Make sure that the DIMM baffles are in place.
5. If the problem persists and there are no other DIMMs with the same indication, replace the DIMM.

Related links

- “Removing a DIMM” on page 895
- “Installing a DIMM ” on page 897

- **806f090c-20020102 : Memory device 2 in Group 1 on Subsystem System Memory Throttled**

Memory DIMM has been throttled due to high temperature detected by the DIMM sensor.

Severity

Info

Serviceable

No

Automatically notify support

No

Alert Category

System - Other

SNMP Trap ID

CIM Information

Prefix: PLAT ID: 0142

User Response

Complete the following steps:

1. Check the CMM or FSM event log for any fan or cooling related issues.
2. Make sure that the airflow at the front and rear of the chassis is not obstructed and that fillers are in place and correctly installed.
3. Make sure that the room temperature is within operating specifications.
4. Make sure that the DIMM baffles are in place.
5. If the problem persists and there are no other DIMMs with the same indication, replace the DIMM.

Related links

- "Removing a DIMM" on page 895
- "Installing a DIMM " on page 897

- **806f090c-2002ffff : Memory device 2 in Group 1 on Subsystem System Memory Throttled**

Memory DIMM has been throttled due to high temperature detected by the DIMM sensor.

Severity

Info

Serviceable

No

Automatically notify support

No

Alert Category

System - Other

SNMP Trap ID

CIM Information

Prefix: PLAT ID: 0142

User Response

Complete the following steps:

1. Check the CMM or FSM event log for any fan or cooling related issues.
2. Make sure that the airflow at the front and rear of the chassis is not obstructed and that fillers are in place and correctly installed.
3. Make sure that the room temperature is within operating specifications.
4. Make sure that the DIMM baffles are in place.
5. If the problem persists and there are no other DIMMs with the same indication, replace the DIMM.

Related links

- "Removing a DIMM" on page 895
 - "Installing a DIMM " on page 897
- **806f090c-20030103 : Memory device 3 in Group 1 on Subsystem System Memory Throttled**
Memory DIMM has been throttled due to high temperature detected by the DIMM sensor.

Severity

Info

Serviceable

No

Automatically notify support

No

Alert Category

System - Other

SNMP Trap ID**CIM Information**

Prefix: PLAT ID: 0142

User Response

Complete the following steps:

1. Check the CMM or FSM event log for any fan or cooling related issues.
2. Make sure that the airflow at the front and rear of the chassis is not obstructed and that fillers are in place and correctly installed.
3. Make sure that the room temperature is within operating specifications.
4. Make sure that the DIMM baffles are in place.
5. If the problem persists and there are no other DIMMs with the same indication, replace the DIMM.

Related links

- "Removing a DIMM" on page 895
- "Installing a DIMM " on page 897

- **806f090c-2003ffff : Memory device 3 in Group 1 on Subsystem System Memory Throttled**

Memory DIMM has been throttled due to high temperature detected by the DIMM sensor.

Severity

Info

Serviceable

No

Automatically notify support

No

Alert Category

System - Other

SNMP Trap ID

CIM Information

Prefix: PLAT ID: 0142

User Response

Complete the following steps:

1. Check the CMM or FSM event log for any fan or cooling related issues.
2. Make sure that the airflow at the front and rear of the chassis is not obstructed and that fillers are in place and correctly installed.
3. Make sure that the room temperature is within operating specifications.
4. Make sure that the DIMM baffles are in place.
5. If the problem persists and there are no other DIMMs with the same indication, replace the DIMM.

Related links

- "Removing a DIMM" on page 895
- "Installing a DIMM " on page 897

- **806f090c-20040104 : Memory device 4 in Group 1 on Subsystem System Memory Throttled**

Memory DIMM has been throttled due to high temperature detected by the DIMM sensor.

Severity

Info

Serviceable

No

Automatically notify support

No

Alert Category

System - Other

SNMP Trap ID**CIM Information**

Prefix: PLAT ID: 0142

User Response

Complete the following steps:

1. Check the CMM or FSM event log for any fan or cooling related issues.
2. Make sure that the airflow at the front and rear of the chassis is not obstructed and that fillers are in place and correctly installed.
3. Make sure that the room temperature is within operating specifications.
4. Make sure that the DIMM baffles are in place.
5. If the problem persists and there are no other DIMMs with the same indication, replace the DIMM.

Related links

- "Removing a DIMM" on page 895
- "Installing a DIMM " on page 897

- **806f090c-2004ffff : Memory device 4 in Group 1 on Subsystem System Memory Throttled**

Memory DIMM has been throttled due to high temperature detected by the DIMM sensor.

Severity

Info

Serviceable

No

Automatically notify support

No

Alert Category

System - Other

SNMP Trap ID**CIM Information**

Prefix: PLAT ID: 0142

User Response

Complete the following steps:

1. Check the CMM or FSM event log for any fan or cooling related issues.
2. Make sure that the airflow at the front and rear of the chassis is not obstructed and that fillers are in place and correctly installed.

3. Make sure that the room temperature is within operating specifications.
4. Make sure that the DIMM baffles are in place.
5. If the problem persists and there are no other DIMMs with the same indication, replace the DIMM.

Related links

- "Removing a DIMM" on page 895
- "Installing a DIMM " on page 897

- **806f090c-20050105 : Memory device 5 in Group 1 on Subsystem System Memory Throttled**

Memory DIMM has been throttled due to high temperature detected by the DIMM sensor.

Severity

Info

Serviceable

No

Automatically notify support

No

Alert Category

System - Other

SNMP Trap ID

CIM Information

Prefix: PLAT ID: 0142

User Response

Complete the following steps:

1. Check the CMM or FSM event log for any fan or cooling related issues.
2. Make sure that the airflow at the front and rear of the chassis is not obstructed and that fillers are in place and correctly installed.
3. Make sure that the room temperature is within operating specifications.
4. Make sure that the DIMM baffles are in place.
5. If the problem persists and there are no other DIMMs with the same indication, replace the DIMM.

Related links

- "Removing a DIMM" on page 895
- "Installing a DIMM " on page 897

- **806f090c-2005ffff : Memory device 5 in Group 1 on Subsystem System Memory Throttled**

Memory DIMM has been throttled due to high temperature detected by the DIMM sensor.

Severity

Info

Serviceable

No

Automatically notify support

No

Alert Category

System - Other

SNMP Trap ID**CIM Information**

Prefix: PLAT ID: 0142

User Response

Complete the following steps:

1. Check the CMM or FSM event log for any fan or cooling related issues.
2. Make sure that the airflow at the front and rear of the chassis is not obstructed and that fillers are in place and correctly installed.
3. Make sure that the room temperature is within operating specifications.
4. Make sure that the DIMM baffles are in place.
5. If the problem persists and there are no other DIMMs with the same indication, replace the DIMM.

Related links

- "Removing a DIMM" on page 895
 - "Installing a DIMM " on page 897
- **806f090c-20060106 : Memory device 6 in Group 1 on Subsystem System Memory Throttled**
Memory DIMM has been throttled due to high temperature detected by the DIMM sensor.

Severity

Info

Serviceable

No

Automatically notify support

No

Alert Category

System - Other

SNMP Trap ID**CIM Information**

Prefix: PLAT ID: 0142

User Response

Complete the following steps:

1. Check the CMM or FSM event log for any fan or cooling related issues.
2. Make sure that the airflow at the front and rear of the chassis is not obstructed and that fillers are in place and correctly installed.
3. Make sure that the room temperature is within operating specifications.
4. Make sure that the DIMM baffles are in place.
5. If the problem persists and there are no other DIMMs with the same indication, replace the DIMM.

Related links

- “Removing a DIMM” on page 895
- “Installing a DIMM ” on page 897

- **806f090c-2006ffff : Memory device 6 in Group 1 on Subsystem System Memory Throttled**

Memory DIMM has been throttled due to high temperature detected by the DIMM sensor.

Severity

Info

Serviceable

No

Automatically notify support

No

Alert Category

System - Other

SNMP Trap ID

CIM Information

Prefix: PLAT ID: 0142

User Response

Complete the following steps:

1. Check the CMM or FSM event log for any fan or cooling related issues.
2. Make sure that the airflow at the front and rear of the chassis is not obstructed and that fillers are in place and correctly installed.
3. Make sure that the room temperature is within operating specifications.
4. Make sure that the DIMM baffles are in place.
5. If the problem persists and there are no other DIMMs with the same indication, replace the DIMM.

Related links

- “Removing a DIMM” on page 895
- “Installing a DIMM ” on page 897

- **806f090c-20070107 : Memory device 7 in Group 1 on Subsystem System Memory Throttled**

Memory DIMM has been throttled due to high temperature detected by the DIMM sensor.

Severity

Info

Serviceable

No

Automatically notify support

No

Alert Category

System - Other

SNMP Trap ID**CIM Information****Prefix:** PLAT ID: 0142**User Response**

Complete the following steps:

1. Check the CMM or FSM event log for any fan or cooling related issues.
2. Make sure that the airflow at the front and rear of the chassis is not obstructed and that fillers are in place and correctly installed.
3. Make sure that the room temperature is within operating specifications.
4. Make sure that the DIMM baffles are in place.
5. If the problem persists and there are no other DIMMs with the same indication, replace the DIMM.

Related links

- "Removing a DIMM" on page 895
- "Installing a DIMM " on page 897

- **806f090c-2007ffff : Memory device 7 in Group 1 on Subsystem System Memory Throttled**

Memory DIMM has been throttled due to high temperature detected by the DIMM sensor.

Severity

Info

Serviceable

No

Automatically notify support

No

Alert Category

System - Other

SNMP Trap ID**CIM Information****Prefix:** PLAT ID: 0142**User Response**

Complete the following steps:

1. Check the CMM or FSM event log for any fan or cooling related issues.
2. Make sure that the airflow at the front and rear of the chassis is not obstructed and that fillers are in place and correctly installed.
3. Make sure that the room temperature is within operating specifications.
4. Make sure that the DIMM baffles are in place.
5. If the problem persists and there are no other DIMMs with the same indication, replace the DIMM.

Related links

- “Removing a DIMM” on page 895
- “Installing a DIMM ” on page 897

- **806f090c-20080108 : Memory device 8 in Group 1 on Subsystem System Memory Throttled**

Memory DIMM has been throttled due to high temperature detected by the DIMM sensor.

Severity

Info

Serviceable

No

Automatically notify support

No

Alert Category

System - Other

SNMP Trap ID

CIM Information

Prefix: PLAT **ID:** 0142

User Response

Complete the following steps:

1. Check the CMM or FSM event log for any fan or cooling related issues.
2. Make sure that the airflow at the front and rear of the chassis is not obstructed and that fillers are in place and correctly installed.
3. Make sure that the room temperature is within operating specifications.
4. Make sure that the DIMM baffles are in place.
5. If the problem persists and there are no other DIMMs with the same indication, replace the DIMM.

Related links

- “Removing a DIMM” on page 895
- “Installing a DIMM ” on page 897

- **806f090c-2008ffff : Memory device 8 in Group 1 on Subsystem System Memory Throttled**
Memory DIMM has been throttled due to high temperature detected by the DIMM sensor.

Severity

Info

Serviceable

No

Automatically notify support

No

Alert Category

System - Other

SNMP Trap ID

CIM Information

Prefix: PLAT ID: 0142

User Response

Complete the following steps:

1. Check the CMM or FSM event log for any fan or cooling related issues.
2. Make sure that the airflow at the front and rear of the chassis is not obstructed and that fillers are in place and correctly installed.
3. Make sure that the room temperature is within operating specifications.
4. Make sure that the DIMM baffles are in place.
5. If the problem persists and there are no other DIMMs with the same indication, replace the DIMM.

Related links

- "Removing a DIMM" on page 895
- "Installing a DIMM " on page 897

- **806f090c-20090109 : Memory device 9 in Group 1 on Subsystem System Memory Throttled**
Memory DIMM has been throttled due to high temperature detected by the DIMM sensor.

Severity

Info

Serviceable

No

Automatically notify support

No

Alert Category

System - Other

SNMP Trap ID

CIM Information

Prefix: PLAT ID: 0142

User Response

Complete the following steps:

1. Check the CMM or FSM event log for any fan or cooling related issues.
2. Make sure that the airflow at the front and rear of the chassis is not obstructed and that fillers are in place and correctly installed.
3. Make sure that the room temperature is within operating specifications.
4. Make sure that the DIMM baffles are in place.
5. If the problem persists and there are no other DIMMs with the same indication, replace the DIMM.

Related links

- "Removing a DIMM" on page 895
- "Installing a DIMM " on page 897

- **806f090c-2009ffff : Memory device 9 in Group 1 on Subsystem System Memory Throttled**

Memory DIMM has been throttled due to high temperature detected by the DIMM sensor.

Severity

Info

Serviceable

No

Automatically notify support

No

Alert Category

System - Other

SNMP Trap ID

CIM Information

Prefix: PLAT ID: 0142

User Response

Complete the following steps:

1. Check the CMM or FSM event log for any fan or cooling related issues.
2. Make sure that the airflow at the front and rear of the chassis is not obstructed and that fillers are in place and correctly installed.
3. Make sure that the room temperature is within operating specifications.
4. Make sure that the DIMM baffles are in place.
5. If the problem persists and there are no other DIMMs with the same indication, replace the DIMM.

Related links

- “Removing a DIMM” on page 895
- “Installing a DIMM ” on page 897

- **806f090c-200a010a : Memory device 10 in Group 1 on Subsystem System Memory Throttled**

Memory DIMM has been throttled due to high temperature detected by the DIMM sensor.

Severity

Info

Serviceable

No

Automatically notify support

No

Alert Category

System - Other

SNMP Trap ID

CIM Information

Prefix: PLAT ID: 0142

User Response

Complete the following steps:

1. Check the CMM or FSM event log for any fan or cooling related issues.
2. Make sure that the airflow at the front and rear of the chassis is not obstructed and that fillers are in place and correctly installed.
3. Make sure that the room temperature is within operating specifications.
4. Make sure that the DIMM baffles are in place.
5. If the problem persists and there are no other DIMMs with the same indication, replace the DIMM.

Related links

- “Removing a DIMM” on page 895
- “Installing a DIMM ” on page 897

- **806f090c-200affff : Memory device 10 in Group 1 on Subsystem System Memory Throttled**

Memory DIMM has been throttled due to high temperature detected by the DIMM sensor.

Severity

Info

Serviceable

No

Automatically notify support

No

Alert Category

System - Other

SNMP Trap ID

CIM Information

Prefix: PLAT ID: 0142

User Response

Complete the following steps:

1. Check the CMM or FSM event log for any fan or cooling related issues.
2. Make sure that the airflow at the front and rear of the chassis is not obstructed and that fillers are in place and correctly installed.
3. Make sure that the room temperature is within operating specifications.
4. Make sure that the DIMM baffles are in place.
5. If the problem persists and there are no other DIMMs with the same indication, replace the DIMM.

Related links

- "Removing a DIMM" on page 895
- "Installing a DIMM " on page 897

- **806f090c-200b010b : Memory device 11 in Group 1 on Subsystem System Memory Throttled**
Memory DIMM has been throttled due to high temperature detected by the DIMM sensor.

Severity

Info

Serviceable

No

Automatically notify support

No

Alert Category

System - Other

SNMP Trap ID

CIM Information

Prefix: PLAT ID: 0142

User Response

Complete the following steps:

1. Check the CMM or FSM event log for any fan or cooling related issues.
2. Make sure that the airflow at the front and rear of the chassis is not obstructed and that fillers are in place and correctly installed.
3. Make sure that the room temperature is within operating specifications.

4. Make sure that the DIMM baffles are in place.
5. If the problem persists and there are no other DIMMs with the same indication, replace the DIMM.

Related links

- "Removing a DIMM" on page 895
- "Installing a DIMM " on page 897

- **806f090c-200bffff : Memory device 11 in Group 1 on Subsystem System Memory Throttled**

Memory DIMM has been throttled due to high temperature detected by the DIMM sensor.

Severity

Info

Serviceable

No

Automatically notify support

No

Alert Category

System - Other

SNMP Trap ID

CIM Information

Prefix: PLAT ID: 0142

User Response

Complete the following steps:

1. Check the CMM or FSM event log for any fan or cooling related issues.
2. Make sure that the airflow at the front and rear of the chassis is not obstructed and that fillers are in place and correctly installed.
3. Make sure that the room temperature is within operating specifications.
4. Make sure that the DIMM baffles are in place.
5. If the problem persists and there are no other DIMMs with the same indication, replace the DIMM.

Related links

- "Removing a DIMM" on page 895
- "Installing a DIMM " on page 897

- **806f090c-200c010c : Memory device 12 in Group 1 on Subsystem System Memory Throttled**

Memory DIMM has been throttled due to high temperature detected by the DIMM sensor.

Severity

Info

Serviceable

No

Automatically notify support

No

Alert Category

System - Other

SNMP Trap ID

CIM Information

Prefix: PLAT ID: 0142

User Response

Complete the following steps:

1. Check the CMM or FSM event log for any fan or cooling related issues.
2. Make sure that the airflow at the front and rear of the chassis is not obstructed and that fillers are in place and correctly installed.
3. Make sure that the room temperature is within operating specifications.
4. Make sure that the DIMM baffles are in place.
5. If the problem persists and there are no other DIMMs with the same indication, replace the DIMM.

Related links

- "Removing a DIMM" on page 895
 - "Installing a DIMM " on page 897
- **806f090c-200cffff : Memory device 12 in Group 1 on Subsystem System Memory Throttled**
Memory DIMM has been throttled due to high temperature detected by the DIMM sensor.

Severity

Info

Serviceable

No

Automatically notify support

No

Alert Category

System - Other

SNMP Trap ID

CIM Information

Prefix: PLAT ID: 0142

User Response

Complete the following steps:

1. Check the CMM or FSM event log for any fan or cooling related issues.
2. Make sure that the airflow at the front and rear of the chassis is not obstructed and that fillers are in place and correctly installed.
3. Make sure that the room temperature is within operating specifications.
4. Make sure that the DIMM baffles are in place.
5. If the problem persists and there are no other DIMMs with the same indication, replace the DIMM.

Related links

- “Removing a DIMM” on page 895
- “Installing a DIMM ” on page 897

- **806f090c-200d010d : Memory device 13 in Group 1 on Subsystem System Memory Throttled**

Memory DIMM has been throttled due to high temperature detected by the DIMM sensor.

Severity

Info

Serviceable

No

Automatically notify support

No

Alert Category

System - Other

SNMP Trap ID

CIM Information

Prefix: PLAT ID: 0142

User Response

Complete the following steps:

1. Check the CMM or FSM event log for any fan or cooling related issues.
2. Make sure that the airflow at the front and rear of the chassis is not obstructed and that fillers are in place and correctly installed.
3. Make sure that the room temperature is within operating specifications.
4. Make sure that the DIMM baffles are in place.
5. If the problem persists and there are no other DIMMs with the same indication, replace the DIMM.

Related links

- “Removing a DIMM” on page 895
- “Installing a DIMM ” on page 897

- **806f090c-200dffff : Memory device 13 in Group 1 on Subsystem System Memory Throttled**

Memory DIMM has been throttled due to high temperature detected by the DIMM sensor.

Severity

Info

Serviceable

No

Automatically notify support

No

Alert Category

System - Other

SNMP Trap ID**CIM Information****Prefix:** PLAT ID: 0142**User Response**

Complete the following steps:

1. Check the CMM or FSM event log for any fan or cooling related issues.
2. Make sure that the airflow at the front and rear of the chassis is not obstructed and that fillers are in place and correctly installed.
3. Make sure that the room temperature is within operating specifications.
4. Make sure that the DIMM baffles are in place.
5. If the problem persists and there are no other DIMMs with the same indication, replace the DIMM.

Related links

- "Removing a DIMM" on page 895
- "Installing a DIMM " on page 897

- **806f090c-200e010e : Memory device 14 in Group 1 on Subsystem System Memory Throttled**

Memory DIMM has been throttled due to high temperature detected by the DIMM sensor.

Severity

Info

Serviceable

No

Automatically notify support

No

Alert Category

System - Other

SNMP Trap ID**CIM Information****Prefix:** PLAT ID: 0142**User Response**

Complete the following steps:

1. Check the CMM or FSM event log for any fan or cooling related issues.
2. Make sure that the airflow at the front and rear of the chassis is not obstructed and that fillers are in place and correctly installed.
3. Make sure that the room temperature is within operating specifications.
4. Make sure that the DIMM baffles are in place.
5. If the problem persists and there are no other DIMMs with the same indication, replace the DIMM.

Related links

- "Removing a DIMM" on page 895
- "Installing a DIMM " on page 897

- **806f090c-200effff : Memory device 14 in Group 1 on Subsystem System Memory Throttled**

Memory DIMM has been throttled due to high temperature detected by the DIMM sensor.

Severity

Info

Serviceable

No

Automatically notify support

No

Alert Category

System - Other

SNMP Trap ID

CIM Information

Prefix: PLAT **ID:** 0142

User Response

Complete the following steps:

1. Check the CMM or FSM event log for any fan or cooling related issues.
2. Make sure that the airflow at the front and rear of the chassis is not obstructed and that fillers are in place and correctly installed.
3. Make sure that the room temperature is within operating specifications.
4. Make sure that the DIMM baffles are in place.
5. If the problem persists and there are no other DIMMs with the same indication, replace the DIMM.

Related links

- "Removing a DIMM" on page 895
- "Installing a DIMM " on page 897

- **806f090c-200f010f : Memory device 15 in Group 1 on Subsystem System Memory Throttled**
Memory DIMM has been throttled due to high temperature detected by the DIMM sensor.

Severity

Info

Serviceable

No

Automatically notify support

No

Alert Category

System - Other

SNMP Trap ID

CIM Information

Prefix: PLAT ID: 0142

User Response

Complete the following steps:

1. Check the CMM or FSM event log for any fan or cooling related issues.
2. Make sure that the airflow at the front and rear of the chassis is not obstructed and that fillers are in place and correctly installed.
3. Make sure that the room temperature is within operating specifications.
4. Make sure that the DIMM baffles are in place.
5. If the problem persists and there are no other DIMMs with the same indication, replace the DIMM.

Related links

- "Removing a DIMM" on page 895
- "Installing a DIMM " on page 897

- **806f090c-200fffff : Memory device 15 in Group 1 on Subsystem System Memory Throttled**
Memory DIMM has been throttled due to high temperature detected by the DIMM sensor..

Severity

Info

Serviceable

No

Automatically notify support

No

Alert Category

System - Other

SNMP Trap ID

CIM Information

Prefix: PLAT ID: 0142

User Response

Complete the following steps:

1. Check the CMM or FSM event log for any fan or cooling related issues.
2. Make sure that the airflow at the front and rear of the chassis is not obstructed and that fillers are in place and correctly installed.
3. Make sure that the room temperature is within operating specifications.
4. Make sure that the DIMM baffles are in place.
5. If the problem persists and there are no other DIMMs with the same indication, replace the DIMM.

Related links

- "Removing a DIMM" on page 895
- "Installing a DIMM " on page 897

- **806f090c-20100110 : Memory device 16 in Group 1 on Subsystem System Memory Throttled**

Memory DIMM has been throttled due to high temperature detected by the DIMM sensor.

Severity

Info

Serviceable

No

Automatically notify support

No

Alert Category

System - Other

SNMP Trap ID

CIM Information

Prefix: PLAT ID: 0142

User Response

Complete the following steps:

1. Check the CMM or FSM event log for any fan or cooling related issues.
2. Make sure that the airflow at the front and rear of the chassis is not obstructed and that fillers are in place and correctly installed.
3. Make sure that the room temperature is within operating specifications.
4. Make sure that the DIMM baffles are in place.
5. If the problem persists and there are no other DIMMs with the same indication, replace the DIMM.

Related links

- "Removing a DIMM" on page 895
- "Installing a DIMM " on page 897

- **806f090c-2010ffff : Memory device 16 in Group 1 on Subsystem System Memory Throttled**

Memory DIMM has been throttled due to high temperature detected by the DIMM sensor.

Severity

Info

Serviceable

No

Automatically notify support

No

Alert Category

System - Other

SNMP Trap ID

CIM Information

Prefix: PLAT **ID:** 0142

User Response

Complete the following steps:

1. Check the CMM or FSM event log for any fan or cooling related issues.
2. Make sure that the airflow at the front and rear of the chassis is not obstructed and that fillers are in place and correctly installed.
3. Make sure that the room temperature is within operating specifications.
4. Make sure that the DIMM baffles are in place.
5. If the problem persists and there are no other DIMMs with the same indication, replace the DIMM.

Related links

- "Removing a DIMM" on page 895
- "Installing a DIMM " on page 897

- **806f090c-20110111 : Memory device 17 in Group 1 on Subsystem System Memory Throttled**

Memory DIMM has been throttled due to high temperature detected by the DIMM sensor.

Severity

Info

Serviceable

No

Automatically notify support

No

Alert Category

System - Other

SNMP Trap ID

CIM Information

Prefix: PLAT ID: 0142

User Response

Complete the following steps:

1. Check the CMM or FSM event log for any fan or cooling related issues.
2. Make sure that the airflow at the front and rear of the chassis is not obstructed and that fillers are in place and correctly installed.
3. Make sure that the room temperature is within operating specifications.
4. Make sure that the DIMM baffles are in place.
5. If the problem persists and there are no other DIMMs with the same indication, replace the DIMM.

Related links

- "Removing a DIMM" on page 895
 - "Installing a DIMM " on page 897
- **806f090c-2011ffff : Memory device 17 in Group 1 on Subsystem System Memory Throttled**
Memory DIMM has been throttled due to high temperature detected by the DIMM sensor.

Severity

Info

Serviceable

No

Automatically notify support

No

Alert Category

System - Other

SNMP Trap ID

CIM Information

Prefix: PLAT ID: 0142

User Response

Complete the following steps:

1. Check the CMM or FSM event log for any fan or cooling related issues.
2. Make sure that the airflow at the front and rear of the chassis is not obstructed and that fillers are in place and correctly installed.
3. Make sure that the room temperature is within operating specifications.

4. Make sure that the DIMM baffles are in place.
5. If the problem persists and there are no other DIMMs with the same indication, replace the DIMM.

Related links

- "Removing a DIMM" on page 895
- "Installing a DIMM " on page 897

- **806f090c-20120112 : Memory device 18 in Group 1 on Subsystem System Memory Throttled**

Memory DIMM has been throttled due to high temperature detected by the DIMM sensor.

Severity

Info

Serviceable

No

Automatically notify support

No

Alert Category

System - Other

SNMP Trap ID

CIM Information

Prefix: PLAT ID: 0142

User Response

Complete the following steps:

1. Check the CMM or FSM event log for any fan or cooling related issues.
2. Make sure that the airflow at the front and rear of the chassis is not obstructed and that fillers are in place and correctly installed.
3. Make sure that the room temperature is within operating specifications.
4. Make sure that the DIMM baffles are in place.
5. If the problem persists and there are no other DIMMs with the same indication, replace the DIMM.

Related links

- "Removing a DIMM" on page 895
- "Installing a DIMM " on page 897

- **806f090c-2012ffff : Memory device 18 in Group 1 on Subsystem System Memory Throttled**

Memory DIMM has been throttled due to high temperature detected by the DIMM sensor.

Severity

Info

Serviceable

No

Automatically notify support

No

Alert Category

System - Other

SNMP Trap ID

CIM Information

Prefix: PLAT ID: 0142

User Response

Complete the following steps:

1. Check the CMM or FSM event log for any fan or cooling related issues.
2. Make sure that the airflow at the front and rear of the chassis is not obstructed and that fillers are in place and correctly installed.
3. Make sure that the room temperature is within operating specifications.
4. Make sure that the DIMM baffles are in place.
5. If the problem persists and there are no other DIMMs with the same indication, replace the DIMM.

Related links

- "Removing a DIMM" on page 895
 - "Installing a DIMM " on page 897
- **806f090c-20130113 : Memory device 19 in Group 1 on Subsystem System Memory Throttled**
Memory DIMM has been throttled due to high temperature detected by the DIMM sensor.

Severity

Info

Serviceable

No

Automatically notify support

No

Alert Category

System - Other

SNMP Trap ID

CIM Information

Prefix: PLAT ID: 0142

User Response

Complete the following steps:

1. Check the CMM or FSM event log for any fan or cooling related issues.
2. Make sure that the airflow at the front and rear of the chassis is not obstructed and that fillers are in place and correctly installed.
3. Make sure that the room temperature is within operating specifications.
4. Make sure that the DIMM baffles are in place.
5. If the problem persists and there are no other DIMMs with the same indication, replace the DIMM.

Related links

- “Removing a DIMM” on page 895
- “Installing a DIMM ” on page 897

- **806f090c-2013ffff : Memory device 19 in Group 1 on Subsystem System Memory Throttled**

Memory DIMM has been throttled due to high temperature detected by the DIMM sensor.

Severity

Info

Serviceable

No

Automatically notify support

No

Alert Category

System - Other

SNMP Trap ID

CIM Information

Prefix: PLAT ID: 0142

User Response

Complete the following steps:

1. Check the CMM or FSM event log for any fan or cooling related issues.
2. Make sure that the airflow at the front and rear of the chassis is not obstructed and that fillers are in place and correctly installed.
3. Make sure that the room temperature is within operating specifications.
4. Make sure that the DIMM baffles are in place.
5. If the problem persists and there are no other DIMMs with the same indication, replace the DIMM.

Related links

- “Removing a DIMM” on page 895
- “Installing a DIMM ” on page 897

- **806f090c-20140114 : Memory device 20 in Group 1 on Subsystem System Memory Throttled**

Memory DIMM has been throttled due to high temperature detected by the DIMM sensor.

Severity

Info

Serviceable

No

Automatically notify support

No

Alert Category

System - Other

SNMP Trap ID**CIM Information****Prefix:** PLAT ID: 0142**User Response**

Complete the following steps:

1. Check the CMM or FSM event log for any fan or cooling related issues.
2. Make sure that the airflow at the front and rear of the chassis is not obstructed and that fillers are in place and correctly installed.
3. Make sure that the room temperature is within operating specifications.
4. Make sure that the DIMM baffles are in place.
5. If the problem persists and there are no other DIMMs with the same indication, replace the DIMM.

Related links

- "Removing a DIMM" on page 895
- "Installing a DIMM " on page 897

- **806f090c-2014ffff : Memory device 20 in Group 1 on Subsystem System Memory Throttled**

Memory DIMM has been throttled due to high temperature detected by the DIMM sensor.

Severity

Info

Serviceable

No

Automatically notify support

No

Alert Category

System - Other

SNMP Trap ID**CIM Information****Prefix:** PLAT ID: 0142**User Response**

Complete the following steps:

1. Check the CMM or FSM event log for any fan or cooling related issues.
2. Make sure that the airflow at the front and rear of the chassis is not obstructed and that fillers are in place and correctly installed.
3. Make sure that the room temperature is within operating specifications.
4. Make sure that the DIMM baffles are in place.
5. If the problem persists and there are no other DIMMs with the same indication, replace the DIMM.

Related links

- “Removing a DIMM” on page 895
- “Installing a DIMM ” on page 897

- **806f090c-20150115 : Memory device 21 in Group 1 on Subsystem System Memory Throttled**

Memory DIMM has been throttled due to high temperature detected by the DIMM sensor.

Severity

Info

Serviceable

No

Automatically notify support

No

Alert Category

System - Other

SNMP Trap ID

CIM Information

Prefix: PLAT **ID:** 0142

User Response

Complete the following steps:

1. Check the CMM or FSM event log for any fan or cooling related issues.
2. Make sure that the airflow at the front and rear of the chassis is not obstructed and that fillers are in place and correctly installed.
3. Make sure that the room temperature is within operating specifications.
4. Make sure that the DIMM baffles are in place.
5. If the problem persists and there are no other DIMMs with the same indication, replace the DIMM.

Related links

- “Removing a DIMM” on page 895
- “Installing a DIMM ” on page 897

- **806f090c-2015ffff : Memory device 21 in Group 1 on Subsystem System Memory Throttled**
Memory DIMM has been throttled due to high temperature detected by the DIMM sensor.

Severity

Info

Serviceable

No

Automatically notify support

No

Alert Category

System - Other

SNMP Trap ID

CIM Information

Prefix: PLAT ID: 0142

User Response

Complete the following steps:

1. Check the CMM or FSM event log for any fan or cooling related issues.
2. Make sure that the airflow at the front and rear of the chassis is not obstructed and that fillers are in place and correctly installed.
3. Make sure that the room temperature is within operating specifications.
4. Make sure that the DIMM baffles are in place.
5. If the problem persists and there are no other DIMMs with the same indication, replace the DIMM.

Related links

- "Removing a DIMM" on page 895
- "Installing a DIMM " on page 897

- **806f090c-20160116 : Memory device 22 in Group 1 on Subsystem System Memory Throttled**
Memory DIMM has been throttled due to high temperature detected by the DIMM sensor.

Severity

Info

Serviceable

No

Automatically notify support

No

Alert Category

System - Other

SNMP Trap ID

CIM Information

Prefix: PLAT ID: 0142

User Response

Complete the following steps:

1. Check the CMM or FSM event log for any fan or cooling related issues.
2. Make sure that the airflow at the front and rear of the chassis is not obstructed and that fillers are in place and correctly installed.
3. Make sure that the room temperature is within operating specifications.
4. Make sure that the DIMM baffles are in place.
5. If the problem persists and there are no other DIMMs with the same indication, replace the DIMM.

Related links

- "Removing a DIMM" on page 895
- "Installing a DIMM " on page 897

- **806f090c-2016ffff : Memory device 22 in Group 1 on Subsystem System Memory Throttled**

Memory DIMM has been throttled due to high temperature detected by the DIMM sensor.

Severity

Info

Serviceable

No

Automatically notify support

No

Alert Category

System - Other

SNMP Trap ID

CIM Information

Prefix: PLAT ID: 0142

User Response

Complete the following steps:

1. Check the CMM or FSM event log for any fan or cooling related issues.
2. Make sure that the airflow at the front and rear of the chassis is not obstructed and that fillers are in place and correctly installed.
3. Make sure that the room temperature is within operating specifications.
4. Make sure that the DIMM baffles are in place.
5. If the problem persists and there are no other DIMMs with the same indication, replace the DIMM.

Related links

- "Removing a DIMM" on page 895
- "Installing a DIMM " on page 897

- **806f090c-20170117 : Memory device 23 in Group 1 on Subsystem System Memory Throttled**

Memory DIMM has been throttled due to high temperature detected by the DIMM sensor.

Severity

Info

Serviceable

No

Automatically notify support

No

Alert Category

System - Other

SNMP Trap ID

CIM Information

Prefix: PLAT ID: 0142

User Response

Complete the following steps:

1. Check the CMM or FSM event log for any fan or cooling related issues.
2. Make sure that the airflow at the front and rear of the chassis is not obstructed and that fillers are in place and correctly installed.
3. Make sure that the room temperature is within operating specifications.
4. Make sure that the DIMM baffles are in place.
5. If the problem persists and there are no other DIMMs with the same indication, replace the DIMM.

Related links

- "Removing a DIMM" on page 895
- "Installing a DIMM " on page 897

- **806f090c-2017ffff : Memory device 23 in Group 1 on Subsystem System Memory Throttled**

Memory DIMM has been throttled due to high temperature detected by the DIMM sensor.

Severity

Info

Serviceable

No

Automatically notify support

No

Alert Category

System - Other

SNMP Trap ID

CIM Information

Prefix: PLAT ID: 0142

User Response

Complete the following steps:

1. Check the CMM or FSM event log for any fan or cooling related issues.
2. Make sure that the airflow at the front and rear of the chassis is not obstructed and that fillers are in place and correctly installed.
3. Make sure that the room temperature is within operating specifications.
4. Make sure that the DIMM baffles are in place.
5. If the problem persists and there are no other DIMMs with the same indication, replace the DIMM.

Related links

- "Removing a DIMM" on page 895
- "Installing a DIMM " on page 897

- **806f090c-20180118 : Memory device 24 in Group 1 on Subsystem System Memory Throttled**
Memory DIMM has been throttled due to high temperature detected by the DIMM sensor.

Severity

Info

Serviceable

No

Automatically notify support

No

Alert Category

System - Other

SNMP Trap ID

CIM Information

Prefix: PLAT ID: 0142

User Response

Complete the following steps:

1. Check the CMM or FSM event log for any fan or cooling related issues.
2. Make sure that the airflow at the front and rear of the chassis is not obstructed and that fillers are in place and correctly installed.
3. Make sure that the room temperature is within operating specifications.

4. Make sure that the DIMM baffles are in place.
5. If the problem persists and there are no other DIMMs with the same indication, replace the DIMM.

Related links

- "Removing a DIMM" on page 895
- "Installing a DIMM " on page 897

- **806f090c-2018ffff : Memory device 24 in Group 1 on Subsystem System Memory Throttled**

Memory DIMM has been throttled due to high temperature detected by the DIMM sensor.

Severity

Info

Serviceable

No

Automatically notify support

No

Alert Category

System - Other

SNMP Trap ID

CIM Information

Prefix: PLAT ID: 0142

User Response

Complete the following steps:

1. Check the CMM or FSM event log for any fan or cooling related issues.
2. Make sure that the airflow at the front and rear of the chassis is not obstructed and that fillers are in place and correctly installed.
3. Make sure that the room temperature is within operating specifications.
4. Make sure that the DIMM baffles are in place.
5. If the problem persists and there are no other DIMMs with the same indication, replace the DIMM.

Related links

- "Removing a DIMM" on page 895
- "Installing a DIMM " on page 897

- **806f0a07-0301ffff : CPU 1 is operating in a Degraded State.**

The processor is being throttled due to thermal or power conditions.

Severity

Warning

Serviceable

Yes

Automatically notify support

No

Alert Category

Warning - CPU

SNMP Trap ID

42

CIM Information

Prefix: PLAT ID: 0038

User Response

Complete the following steps:

1. Check the CMM or FSM event log for any fan- or cooling-related issues or power-related issues..
2. Make sure that the airflow at the front and rear of the chassis is not obstructed and that fillers are in place and correctly installed.
3. Make sure that the room temperature is within operating specifications.

- **806f0a07-0302ffff : CPU 2 is operating in a Degraded State.**

The processor is being throttled.

Severity

Warning

Serviceable

Yes

Automatically notify support

No

Alert Category

Warning - CPU

SNMP Trap ID

42

CIM Information

Prefix: PLAT ID: 0038

User Response

Complete the following steps:

1. Check the CMM or FSM event log for any fan- or cooling-related issues or power-related issues..
2. Make sure that the airflow at the front and rear of the chassis is not obstructed and that fillers are in place and correctly installed.
3. Make sure that the room temperature is within operating specifications.

- **806f0a07-2584ffff : [ProcessorElementName] is operating in a Degraded State.**

Processor(s) are being throttled due to thermal or power conditions.

Severity

Warning

Serviceable

Yes

Automatically notify support

No

Alert Category

Warning - CPU

SNMP Trap ID

42

CIM Information

Prefix: PLAT ID: 0038

User Response

Complete the following steps:

1. Check the CMM or FSM event log for any fan- or cooling-related issues or power-related issues..
2. Make sure that the airflow at the front and rear of the chassis is not obstructed and that fillers are in place and correctly installed.
3. Make sure that the room temperature is within operating specifications.

- **806f0a0c-20010101 : An Over-Temperature Condition has been detected on the memory device 1 in Group 1 on Subsystem System Memory.**

An overtemperature condition has been detected in the DIMM in DIMM connector 1.

Severity

Error

Serviceable

Yes

Automatically notify support

No

Alert Category

Critical - Temperature

SNMP Trap ID

0

CIM Information

Prefix: PLAT ID: 0146

User Response

Complete the following steps until the problem is solved:

1. Check the Chassis Management Module or Flex System Manager event log for any fan- or cooling-related issues.

2. Make sure that the airflow at the front and rear of the chassis is not obstructed and that fillers are in place and correctly installed.
3. Make sure that the room temperature is within operating specifications.
4. Make sure that the DIMM baffles are in place.
5. If the problem remains and no other DIMMs have the same indication, replace the DIMM.

Related links

- "Removing a DIMM" on page 895
- "Installing a DIMM " on page 897

- **806f0a0c-2001ffff : An Over-Temperature Condition has been detected on the memory device 1 in Group 1 on Subsystem System Memory.**

An overtemperature condition has been detected in the DIMM in DIMM connector 1.

Severity

Error

Serviceable

Yes

Automatically notify support

No

Alert Category

Critical - Temperature

SNMP Trap ID

0

CIM Information

Prefix: PLAT ID: 0146

User Response

Complete the following steps until the problem is solved:

1. Check the Chassis Management Module or Flex System Manager event log for any fan- or cooling-related issues.
2. Make sure that the airflow at the front and rear of the chassis is not obstructed and that fillers are in place and correctly installed.
3. Make sure that the room temperature is within operating specifications.
4. Make sure that the DIMM baffles are in place.
5. If the problem remains and no other DIMMs have the same indication, replace the DIMM.

Related links

- "Removing a DIMM" on page 895
- "Installing a DIMM " on page 897

- **806f0a0c-20020102 : An Over-Temperature Condition has been detected on the memory device 2 in Group 1 on Subsystem System Memory.**

An overtemperature condition has been detected in the DIMM in DIMM connector 2.

Severity

Error

Serviceable

Yes

Automatically notify support

No

Alert Category

Critical - Temperature

SNMP Trap ID

0

CIM Information

Prefix: PLAT ID: 0146

User Response

Complete the following steps until the problem is solved:

1. Check the Chassis Management Module or Flex System Manager event log for any fan- or cooling-related issues.
2. Make sure that the airflow at the front and rear of the chassis is not obstructed and that fillers are in place and correctly installed.
3. Make sure that the room temperature is within operating specifications.
4. Make sure that the DIMM baffles are in place.
5. If the problem remains and no other DIMMs have the same indication, replace the DIMM.

Related links

- "Removing a DIMM" on page 895
- "Installing a DIMM " on page 897

- **806f0a0c-2002ffff : An Over-Temperature Condition has been detected on the memory device 2 in Group 1 on Subsystem System Memory.**

An overtemperature condition has been detected in the DIMM in DIMM connector 2.

Severity

Error

Serviceable

Yes

Automatically notify support

No

Alert Category

Critical - Temperature

SNMP Trap ID

0

CIM Information

Prefix: PLAT ID: 0146

User Response

Complete the following steps until the problem is solved:

1. Check the Chassis Management Module or Flex System Manager event log for any fan- or cooling-related issues.
2. Make sure that the airflow at the front and rear of the chassis is not obstructed and that fillers are in place and correctly installed.
3. Make sure that the room temperature is within operating specifications.
4. Make sure that the DIMM baffles are in place.
5. If the problem remains and no other DIMMs have the same indication, replace the DIMM.

Related links

- “Removing a DIMM” on page 895
- “Installing a DIMM ” on page 897

- **806f0a0c-20030103 : An Over-Temperature Condition has been detected on the memory device 3 in Group 1 on Subsystem System Memory.**

An overtemperature condition has been detected in the DIMM in DIMM connector 3.

Severity

Error

Serviceable

Yes

Automatically notify support

No

Alert Category

Critical - Temperature

SNMP Trap ID

0

CIM Information

Prefix: PLAT **ID:** 0146

User Response

Complete the following steps until the problem is solved:

1. Check the Chassis Management Module or Flex System Manager event log for any fan- or cooling-related issues.
2. Make sure that the airflow at the front and rear of the chassis is not obstructed and that fillers are in place and correctly installed.
3. Make sure that the room temperature is within operating specifications.
4. Make sure that the DIMM baffles are in place.
5. If the problem remains and no other DIMMs have the same indication, replace the DIMM.

Related links

- “Removing a DIMM” on page 895
- “Installing a DIMM ” on page 897

- **806f0a0c-2003ffff : An Over-Temperature Condition has been detected on the memory device 3 in Group 1 on Subsystem System Memory.**

An overtemperature condition has been detected in the DIMM in DIMM connector 3.

Severity

Error

Serviceable

Yes

Automatically notify support

No

Alert Category

Critical - Temperature

SNMP Trap ID

0

CIM Information

Prefix: PLAT ID: 0146

User Response

Complete the following steps until the problem is solved:

1. Check the Chassis Management Module or Flex System Manager event log for any fan- or cooling-related issues.
2. Make sure that the airflow at the front and rear of the chassis is not obstructed and that fillers are in place and correctly installed.
3. Make sure that the room temperature is within operating specifications.
4. Make sure that the DIMM baffles are in place.
5. If the problem remains and no other DIMMs have the same indication, replace the DIMM.

Related links

- "Removing a DIMM" on page 895
- "Installing a DIMM " on page 897

- **806f0a0c-20040104 : An Over-Temperature Condition has been detected on the memory device 4 in Group 1 on Subsystem System Memory.**

An overtemperature condition has been detected in the DIMM in DIMM connector 4.

Severity

Error

Serviceable

Yes

Automatically notify support

No

Alert Category

Critical - Temperature

SNMP Trap ID

0

CIM Information

Prefix: PLAT ID: 0146

User Response

Complete the following steps until the problem is solved:

1. Check the Chassis Management Module or Flex System Manager event log for any fan- or cooling-related issues.
2. Make sure that the airflow at the front and rear of the chassis is not obstructed and that fillers are in place and correctly installed.
3. Make sure that the room temperature is within operating specifications.
4. Make sure that the DIMM baffles are in place.
5. If the problem remains and no other DIMMs have the same indication, replace the DIMM.

Related links

- "Removing a DIMM" on page 895
- "Installing a DIMM " on page 897

- **806f0a0c-2004ffff : An Over-Temperature Condition has been detected on the memory device 4 in Group 1 on Subsystem System Memory.**

An overtemperature condition has been detected in the DIMM in DIMM connector 4.

Severity

Error

Serviceable

Yes

Automatically notify support

No

Alert Category

Critical - Temperature

SNMP Trap ID

0

CIM Information

Prefix: PLAT ID: 0146

User Response

Complete the following steps until the problem is solved:

1. Check the Chassis Management Module or Flex System Manager event log for any fan- or cooling-related issues.
2. Make sure that the airflow at the front and rear of the chassis is not obstructed and that fillers are in place and correctly installed.
3. Make sure that the room temperature is within operating specifications.
4. Make sure that the DIMM baffles are in place.
5. If the problem remains and no other DIMMs have the same indication, replace the DIMM.

Related links

- "Removing a DIMM" on page 895
- "Installing a DIMM " on page 897

- **806f0a0c-20050105 : An Over-Temperature Condition has been detected on the memory device 5 in Group 1 on Subsystem System Memory.**

An overtemperature condition has been detected in the DIMM in DIMM connector 5.

Severity

Error

Serviceable

Yes

Automatically notify support

No

Alert Category

Critical - Temperature

SNMP Trap ID

0

CIM Information

Prefix: PLAT ID: 0146

User Response

Complete the following steps until the problem is solved:

1. Check the Chassis Management Module or Flex System Manager event log for any fan- or cooling-related issues.
2. Make sure that the airflow at the front and rear of the chassis is not obstructed and that fillers are in place and correctly installed.
3. Make sure that the room temperature is within operating specifications.
4. Make sure that the DIMM baffles are in place.
5. If the problem remains and no other DIMMs have the same indication, replace the DIMM.

Related links

- "Removing a DIMM" on page 895
- "Installing a DIMM " on page 897

- **806f0a0c-2005ffff : An Over-Temperature Condition has been detected on the memory device 5 in Group 1 on Subsystem System Memory.**

An overtemperature condition has been detected in the DIMM in DIMM connector 5.

Severity

Error

Serviceable

Yes

Automatically notify support

No

Alert Category

Critical - Temperature

SNMP Trap ID

0

CIM Information

Prefix: PLAT ID: 0146

User Response

Complete the following steps until the problem is solved:

1. Check the Chassis Management Module or Flex System Manager event log for any fan- or cooling-related issues.
2. Make sure that the airflow at the front and rear of the chassis is not obstructed and that fillers are in place and correctly installed.
3. Make sure that the room temperature is within operating specifications.
4. Make sure that the DIMM baffles are in place.
5. If the problem remains and no other DIMMs have the same indication, replace the DIMM.

Related links

- "Removing a DIMM" on page 895
- "Installing a DIMM " on page 897

- **806f0a0c-20060106 : An Over-Temperature Condition has been detected on the memory device 6 in Group 1 on Subsystem System Memory.**

An overtemperature condition has been detected in the DIMM in DIMM connector 6.

Severity

Error

Serviceable

Yes

Automatically notify support

No

Alert Category

Critical - Temperature

SNMP Trap ID

0

CIM Information

Prefix: PLAT ID: 0146

User Response

Complete the following steps until the problem is solved:

1. Check the Chassis Management Module or Flex System Manager event log for any fan- or cooling-related issues.
2. Make sure that the airflow at the front and rear of the chassis is not obstructed and that fillers are in place and correctly installed.
3. Make sure that the room temperature is within operating specifications.
4. Make sure that the DIMM baffles are in place.
5. If the problem remains and no other DIMMs have the same indication, replace the DIMM.

Related links

- "Removing a DIMM" on page 895
- "Installing a DIMM " on page 897

- **806f0a0c-2006ffff : An Over-Temperature Condition has been detected on the memory device 6 in Group 1 on Subsystem System Memory.**

An overtemperature condition has been detected in the DIMM in DIMM connector 6.

Severity

Error

Serviceable

Yes

Automatically notify support

No

Alert Category

Critical - Temperature

SNMP Trap ID

0

CIM Information

Prefix: PLAT ID: 0146

User Response

Complete the following steps until the problem is solved:

1. Check the Chassis Management Module or Flex System Manager event log for any fan- or cooling-related issues.
2. Make sure that the airflow at the front and rear of the chassis is not obstructed and that fillers are in place and correctly installed.
3. Make sure that the room temperature is within operating specifications.
4. Make sure that the DIMM baffles are in place.
5. If the problem remains and no other DIMMs have the same indication, replace the DIMM.

Related links

- "Removing a DIMM" on page 895
- "Installing a DIMM " on page 897

- **806f0a0c-20070107 : An Over-Temperature Condition has been detected on the memory device 7 in Group 1 on Subsystem System Memory.**

An overtemperature condition has been detected in the DIMM in DIMM connector 7.

Severity

Error

Serviceable

Yes

Automatically notify support

No

Alert Category

Critical - Temperature

SNMP Trap ID

0

CIM Information

Prefix: PLAT ID: 0146

User Response

Complete the following steps until the problem is solved:

1. Check the Chassis Management Module or Flex System Manager event log for any fan- or cooling-related issues.
2. Make sure that the airflow at the front and rear of the chassis is not obstructed and that fillers are in place and correctly installed.
3. Make sure that the room temperature is within operating specifications.
4. Make sure that the DIMM baffles are in place.
5. If the problem remains and no other DIMMs have the same indication, replace the DIMM.

Related links

- "Removing a DIMM" on page 895
- "Installing a DIMM " on page 897

- **806f0a0c-2007ffff : An Over-Temperature Condition has been detected on the memory device 7 in Group 1 on Subsystem System Memory.**

An overtemperature condition has been detected in the DIMM in DIMM connector 7.

Severity

Error

Serviceable

Yes

Automatically notify support

No

Alert Category

Critical - Temperature

SNMP Trap ID

0

CIM Information

Prefix: PLAT ID: 0146

User Response

Complete the following steps until the problem is solved:

1. Check the Chassis Management Module or Flex System Manager event log for any fan- or cooling-related issues.
2. Make sure that the airflow at the front and rear of the chassis is not obstructed and that fillers are in place and correctly installed.
3. Make sure that the room temperature is within operating specifications.
4. Make sure that the DIMM baffles are in place.
5. If the problem remains and no other DIMMs have the same indication, replace the DIMM.

Related links

- "Removing a DIMM" on page 895
- "Installing a DIMM " on page 897

- **806f0a0c-20080108 : An Over-Temperature Condition has been detected on the memory device 8 in Group 1 on Subsystem System Memory.**

An overtemperature condition has been detected in the DIMM in DIMM connector 8.

Severity

Error

Serviceable

Yes

Automatically notify support

No

Alert Category

Critical - Temperature

SNMP Trap ID

0

CIM Information

Prefix: PLAT ID: 0146

User Response

Complete the following steps until the problem is solved:

1. Check the Chassis Management Module or Flex System Manager event log for any fan- or cooling-related issues.
2. Make sure that the airflow at the front and rear of the chassis is not obstructed and that fillers are in place and correctly installed.
3. Make sure that the room temperature is within operating specifications.
4. Make sure that the DIMM baffles are in place.
5. If the problem remains and no other DIMMs have the same indication, replace the DIMM.

Related links

- "Removing a DIMM" on page 895
- "Installing a DIMM " on page 897

- **806f0a0c-2008ffff : An Over-Temperature Condition has been detected on the memory device 8 in Group 1 on Subsystem System Memory.**

An overtemperature condition has been detected in the DIMM in DIMM connector 8.

Severity

Error

Serviceable

Yes

Automatically notify support

No

Alert Category

Critical - Temperature

SNMP Trap ID

0

CIM Information

Prefix: PLAT ID: 0146

User Response

Complete the following steps until the problem is solved:

1. Check the Chassis Management Module or Flex System Manager event log for any fan- or cooling-related issues.
2. Make sure that the airflow at the front and rear of the chassis is not obstructed and that fillers are in place and correctly installed.
3. Make sure that the room temperature is within operating specifications.
4. Make sure that the DIMM baffles are in place.
5. If the problem remains and no other DIMMs have the same indication, replace the DIMM.

Related links

- "Removing a DIMM" on page 895
- "Installing a DIMM " on page 897

- **806f0a0c-20090109 : An Over-Temperature Condition has been detected on the memory device 9 in Group 1 on Subsystem System Memory.**

An overtemperature condition has been detected in the DIMM in DIMM connector 9.

Severity

Error

Serviceable

Yes

Automatically notify support

No

Alert Category

Critical - Temperature

SNMP Trap ID

0

CIM Information

Prefix: PLAT ID: 0146

User Response

Complete the following steps until the problem is solved:

1. Check the Chassis Management Module or Flex System Manager event log for any fan- or cooling-related issues.
2. Make sure that the airflow at the front and rear of the chassis is not obstructed and that fillers are in place and correctly installed.
3. Make sure that the room temperature is within operating specifications.
4. Make sure that the DIMM baffles are in place.
5. If the problem remains and no other DIMMs have the same indication, replace the DIMM.

Related links

- "Removing a DIMM" on page 895
- "Installing a DIMM " on page 897

- **806f0a0c-2009ffff : An Over-Temperature Condition has been detected on the memory device 9 in Group 1 on Subsystem System Memory.**

An overtemperature condition has been detected in the DIMM in DIMM connector 9.

Severity

Error

Serviceable

Yes

Automatically notify support

No

Alert Category

Critical - Temperature

SNMP Trap ID

0

CIM Information

Prefix: PLAT ID: 0146

User Response

Complete the following steps until the problem is solved:

1. Check the Chassis Management Module or Flex System Manager event log for any fan- or cooling-related issues.
2. Make sure that the airflow at the front and rear of the chassis is not obstructed and that fillers are in place and correctly installed.
3. Make sure that the room temperature is within operating specifications.
4. Make sure that the DIMM baffles are in place.
5. If the problem remains and no other DIMMs have the same indication, replace the DIMM.

Related links

- "Removing a DIMM" on page 895
- "Installing a DIMM " on page 897

- **806f0a0c-200a010a : An Over-Temperature Condition has been detected on the memory device 10 in Group 1 on Subsystem System Memory.**

An overtemperature condition has been detected in the DIMM in DIMM connector 10.

Severity

Error

Serviceable

Yes

Automatically notify support

No

Alert Category

Critical - Temperature

SNMP Trap ID

0

CIM Information

Prefix: PLAT ID: 0146

User Response

Complete the following steps until the problem is solved:

1. Check the Chassis Management Module or Flex System Manager event log for any fan- or cooling-related issues.
2. Make sure that the airflow at the front and rear of the chassis is not obstructed and that fillers are in place and correctly installed.
3. Make sure that the room temperature is within operating specifications.
4. Make sure that the DIMM baffles are in place.
5. If the problem remains and no other DIMMs have the same indication, replace the DIMM.

Related links

- "Removing a DIMM" on page 895
- "Installing a DIMM " on page 897

- **806f0a0c-200affff : An Over-Temperature Condition has been detected on the memory device 10 in Group 1 on Subsystem System Memory.**

An overtemperature condition has been detected in the DIMM in DIMM connector 10.

Severity

Error

Serviceable

Yes

Automatically notify support

No

Alert Category

Critical - Temperature

SNMP Trap ID

0

CIM Information

Prefix: PLAT ID: 0146

User Response

Complete the following steps until the problem is solved:

1. Check the Chassis Management Module or Flex System Manager event log for any fan- or cooling-related issues.
2. Make sure that the airflow at the front and rear of the chassis is not obstructed and that fillers are in place and correctly installed.
3. Make sure that the room temperature is within operating specifications.
4. Make sure that the DIMM baffles are in place.
5. If the problem remains and no other DIMMs have the same indication, replace the DIMM.

Related links

- "Removing a DIMM" on page 895
- "Installing a DIMM " on page 897

- **806f0a0c-200b010b : An Over-Temperature Condition has been detected on the memory device 11 in Group 1 on Subsystem System Memory.**

An overtemperature condition has been detected in the DIMM in DIMM connector 11.

Severity

Error

Serviceable

Yes

Automatically notify support

No

Alert Category

Critical - Temperature

SNMP Trap ID

0

CIM Information

Prefix: PLAT ID: 0146

User Response

Complete the following steps until the problem is solved:

1. Check the Chassis Management Module or Flex System Manager event log for any fan- or cooling-related issues.
2. Make sure that the airflow at the front and rear of the chassis is not obstructed and that fillers are in place and correctly installed.
3. Make sure that the room temperature is within operating specifications.
4. Make sure that the DIMM baffles are in place.
5. If the problem remains and no other DIMMs have the same indication, replace the DIMM.

Related links

- "Removing a DIMM" on page 895
- "Installing a DIMM " on page 897

- **806f0a0c-200bffff : An Over-Temperature Condition has been detected on the memory device 11 in Group 1 on Subsystem System Memory.**

An overtemperature condition has been detected in the DIMM in DIMM connector 11.

Severity

Error

Serviceable

Yes

Automatically notify support

No

Alert Category

Critical - Temperature

SNMP Trap ID

0

CIM Information

Prefix: PLAT ID: 0146

User Response

Complete the following steps until the problem is solved:

1. Check the Chassis Management Module or Flex System Manager event log for any fan- or cooling-related issues.
2. Make sure that the airflow at the front and rear of the chassis is not obstructed and that fillers are in place and correctly installed.
3. Make sure that the room temperature is within operating specifications.
4. Make sure that the DIMM baffles are in place.
5. If the problem remains and no other DIMMs have the same indication, replace the DIMM.

Related links

- "Removing a DIMM" on page 895
- "Installing a DIMM " on page 897

- **806f0a0c-200c010c : An Over-Temperature Condition has been detected on the memory device 12 in Group 1 on Subsystem System Memory.**

An overtemperature condition has been detected in the DIMM in DIMM connector 12.

Severity

Error

Serviceable

Yes

Automatically notify support

No

Alert Category

Critical - Temperature

SNMP Trap ID

0

CIM Information

Prefix: PLAT ID: 0146

User Response

Complete the following steps until the problem is solved:

1. Check the Chassis Management Module or Flex System Manager event log for any fan- or cooling-related issues.
2. Make sure that the airflow at the front and rear of the chassis is not obstructed and that fillers are in place and correctly installed.
3. Make sure that the room temperature is within operating specifications.
4. Make sure that the DIMM baffles are in place.
5. If the problem remains and no other DIMMs have the same indication, replace the DIMM.

Related links

- "Removing a DIMM" on page 895
- "Installing a DIMM " on page 897

- **806f0a0c-200cffff : An Over-Temperature Condition has been detected on the memory device 12 in Group 1 on Subsystem System Memory.**

An overtemperature condition has been detected in the DIMM in DIMM connector 12.

Severity

Error

Serviceable

Yes

Automatically notify support

No

Alert Category

Critical - Temperature

SNMP Trap ID

0

CIM Information

Prefix: PLAT ID: 0146

User Response

Complete the following steps until the problem is solved:

1. Check the Chassis Management Module or Flex System Manager event log for any fan- or cooling-related issues.
2. Make sure that the airflow at the front and rear of the chassis is not obstructed and that fillers are in place and correctly installed.
3. Make sure that the room temperature is within operating specifications.
4. Make sure that the DIMM baffles are in place.
5. If the problem remains and no other DIMMs have the same indication, replace the DIMM.

Related links

- "Removing a DIMM" on page 895
- "Installing a DIMM " on page 897

- **806f0a0c-200d010d : An Over-Temperature Condition has been detected on the memory device 13 in Group 1 on Subsystem System Memory.**

An overtemperature condition has been detected in the DIMM in DIMM connector 13.

Severity

Error

Serviceable

Yes

Automatically notify support

No

Alert Category

Critical - Temperature

SNMP Trap ID

0

CIM Information

Prefix: PLAT ID: 0146

User Response

Complete the following steps until the problem is solved:

1. Check the Chassis Management Module or Flex System Manager event log for any fan- or cooling-related issues.
2. Make sure that the airflow at the front and rear of the chassis is not obstructed and that fillers are in place and correctly installed.
3. Make sure that the room temperature is within operating specifications.
4. Make sure that the DIMM baffles are in place.
5. If the problem remains and no other DIMMs have the same indication, replace the DIMM.

Related links

- "Removing a DIMM" on page 895
- "Installing a DIMM " on page 897

- **806f0a0c-200dffff : An Over-Temperature Condition has been detected on the memory device 13 in Group 1 on Subsystem System Memory.**

An overtemperature condition has been detected in the DIMM in DIMM connector 13.

Severity

Error

Serviceable

Yes

Automatically notify support

No

Alert Category

Critical - Temperature

SNMP Trap ID

0

CIM Information

Prefix: PLAT ID: 0146

User Response

Complete the following steps until the problem is solved:

1. Check the Chassis Management Module or Flex System Manager event log for any fan- or cooling-related issues.
2. Make sure that the airflow at the front and rear of the chassis is not obstructed and that fillers are in place and correctly installed.
3. Make sure that the room temperature is within operating specifications.
4. Make sure that the DIMM baffles are in place.
5. If the problem remains and no other DIMMs have the same indication, replace the DIMM.

Related links

- "Removing a DIMM" on page 895
- "Installing a DIMM " on page 897

- **806f0a0c-200e010e : An Over-Temperature Condition has been detected on the memory device 14 in Group 1 on Subsystem System Memory.**

An overtemperature condition has been detected in the DIMM in DIMM connector 14.

Severity

Error

Serviceable

Yes

Automatically notify support

No

Alert Category

Critical - Temperature

SNMP Trap ID

0

CIM Information

Prefix: PLAT ID: 0146

User Response

Complete the following steps until the problem is solved:

1. Check the Chassis Management Module or Flex System Manager event log for any fan- or cooling-related issues.
2. Make sure that the airflow at the front and rear of the chassis is not obstructed and that fillers are in place and correctly installed.
3. Make sure that the room temperature is within operating specifications.
4. Make sure that the DIMM baffles are in place.
5. If the problem remains and no other DIMMs have the same indication, replace the DIMM.

Related links

- "Removing a DIMM" on page 895
- "Installing a DIMM " on page 897

- **806f0a0c-200effff : An Over-Temperature Condition has been detected on the memory device 14 in Group 1 on Subsystem System Memory.**

An overtemperature condition has been detected in the DIMM in DIMM connector 14.

Severity

Error

Serviceable

Yes

Automatically notify support

No

Alert Category

Critical - Temperature

SNMP Trap ID

0

CIM Information

Prefix: PLAT ID: 0146

User Response

Complete the following steps until the problem is solved:

1. Check the Chassis Management Module or Flex System Manager event log for any fan- or cooling-related issues.
2. Make sure that the airflow at the front and rear of the chassis is not obstructed and that fillers are in place and correctly installed.
3. Make sure that the room temperature is within operating specifications.
4. Make sure that the DIMM baffles are in place.
5. If the problem remains and no other DIMMs have the same indication, replace the DIMM.

Related links

- "Removing a DIMM" on page 895
- "Installing a DIMM " on page 897

- **806f0a0c-200f010f : An Over-Temperature Condition has been detected on the memory device 15 in Group 1 on Subsystem System Memory.**

An overtemperature condition has been detected in the DIMM in DIMM connector 15.

Severity

Error

Serviceable

Yes

Automatically notify support

No

Alert Category

Critical - Temperature

SNMP Trap ID

0

CIM Information

Prefix: PLAT ID: 0146

User Response

Complete the following steps until the problem is solved:

1. Check the Chassis Management Module or Flex System Manager event log for any fan- or cooling-related issues.
2. Make sure that the airflow at the front and rear of the chassis is not obstructed and that fillers are in place and correctly installed.
3. Make sure that the room temperature is within operating specifications.
4. Make sure that the DIMM baffles are in place.
5. If the problem remains and no other DIMMs have the same indication, replace the DIMM.

Related links

- "Removing a DIMM" on page 895
- "Installing a DIMM " on page 897

- **806f0a0c-200ffff : An Over-Temperature Condition has been detected on the memory device 15 in Group 1 on Subsystem System Memory.**

An overtemperature condition has been detected in the DIMM in DIMM connector 15.

Severity

Error

Serviceable

Yes

Automatically notify support

No

Alert Category

Critical - Temperature

SNMP Trap ID

0

CIM Information

Prefix: PLAT ID: 0146

User Response

Complete the following steps until the problem is solved:

1. Check the Chassis Management Module or Flex System Manager event log for any fan- or cooling-related issues.
2. Make sure that the airflow at the front and rear of the chassis is not obstructed and that fillers are in place and correctly installed.
3. Make sure that the room temperature is within operating specifications.
4. Make sure that the DIMM baffles are in place.
5. If the problem remains and no other DIMMs have the same indication, replace the DIMM.

Related links

- "Removing a DIMM" on page 895
- "Installing a DIMM " on page 897

- **806f0a0c-20100110 : An Over-Temperature Condition has been detected on the memory device 16 in Group 1 on Subsystem System Memory.**

An overtemperature condition has been detected in the DIMM in DIMM connector 16.

Severity

Error

Serviceable

Yes

Automatically notify support

No

Alert Category

Critical - Temperature

SNMP Trap ID

0

CIM Information

Prefix: PLAT ID: 0146

User Response

Complete the following steps until the problem is solved:

1. Check the Chassis Management Module or Flex System Manager event log for any fan- or cooling-related issues.
2. Make sure that the airflow at the front and rear of the chassis is not obstructed and that fillers are in place and correctly installed.
3. Make sure that the room temperature is within operating specifications.
4. Make sure that the DIMM baffles are in place.
5. If the problem remains and no other DIMMs have the same indication, replace the DIMM.

Related links

- "Removing a DIMM" on page 895
- "Installing a DIMM " on page 897

- **806f0a0c-2010ffff : An Over-Temperature Condition has been detected on the memory device 16 in Group 1 on Subsystem System Memory.**

An overtemperature condition has been detected in the DIMM in DIMM connector 16.

Severity

Error

Serviceable

Yes

Automatically notify support

No

Alert Category

Critical - Temperature

SNMP Trap ID

0

CIM Information

Prefix: PLAT ID: 0146

User Response

Complete the following steps until the problem is solved:

1. Check the Chassis Management Module or Flex System Manager event log for any fan- or cooling-related issues.
2. Make sure that the airflow at the front and rear of the chassis is not obstructed and that fillers are in place and correctly installed.
3. Make sure that the room temperature is within operating specifications.
4. Make sure that the DIMM baffles are in place.
5. If the problem remains and no other DIMMs have the same indication, replace the DIMM.

Related links

- "Removing a DIMM" on page 895
- "Installing a DIMM " on page 897

- **806f0a0c-20110111 : An Over-Temperature Condition has been detected on the memory device 17 in Group 1 on Subsystem System Memory.**

An overtemperature condition has been detected in the DIMM in DIMM connector 17.

Severity

Error

Serviceable

Yes

Automatically notify support

No

Alert Category

Critical - Temperature

SNMP Trap ID

0

CIM Information

Prefix: PLAT ID: 0146

User Response

Complete the following steps until the problem is solved:

1. Check the Chassis Management Module or Flex System Manager event log for any fan- or cooling-related issues.
2. Make sure that the airflow at the front and rear of the chassis is not obstructed and that fillers are in place and correctly installed.
3. Make sure that the room temperature is within operating specifications.
4. Make sure that the DIMM baffles are in place.
5. If the problem remains and no other DIMMs have the same indication, replace the DIMM.

Related links

- "Removing a DIMM" on page 895
- "Installing a DIMM " on page 897

- **806f0a0c-2011ffff : An Over-Temperature Condition has been detected on the memory device 17 in Group 1 on Subsystem System Memory.**

An overtemperature condition has been detected in the DIMM in DIMM connector 17.

Severity

Error

Serviceable

Yes

Automatically notify support

No

Alert Category

Critical - Temperature

SNMP Trap ID

0

CIM Information

Prefix: PLAT ID: 0146

User Response

Complete the following steps until the problem is solved:

1. Check the Chassis Management Module or Flex System Manager event log for any fan- or cooling-related issues.
2. Make sure that the airflow at the front and rear of the chassis is not obstructed and that fillers are in place and correctly installed.
3. Make sure that the room temperature is within operating specifications.
4. Make sure that the DIMM baffles are in place.
5. If the problem remains and no other DIMMs have the same indication, replace the DIMM.

Related links

- "Removing a DIMM" on page 895
- "Installing a DIMM " on page 897

- **806f0a0c-20120112 : An Over-Temperature Condition has been detected on the memory device 18 in Group 1 on Subsystem System Memory.**

An overtemperature condition has been detected in the DIMM in DIMM connector 18.

Severity

Error

Serviceable

Yes

Automatically notify support

No

Alert Category

Critical - Temperature

SNMP Trap ID

0

CIM Information

Prefix: PLAT ID: 0146

User Response

Complete the following steps until the problem is solved:

1. Check the Chassis Management Module or Flex System Manager event log for any fan- or cooling-related issues.
2. Make sure that the airflow at the front and rear of the chassis is not obstructed and that fillers are in place and correctly installed.
3. Make sure that the room temperature is within operating specifications.
4. Make sure that the DIMM baffles are in place.
5. If the problem remains and no other DIMMs have the same indication, replace the DIMM.

Related links

- "Removing a DIMM" on page 895
- "Installing a DIMM " on page 897

- **806f0a0c-2012ffff : An Over-Temperature Condition has been detected on the memory device 18 in Group 1 on Subsystem System Memory.**

An overtemperature condition has been detected in the DIMM in DIMM connector 18.

Severity

Error

Serviceable

Yes

Automatically notify support

No

Alert Category

Critical - Temperature

SNMP Trap ID

0

CIM Information

Prefix: PLAT ID: 0146

User Response

Complete the following steps until the problem is solved:

1. Check the Chassis Management Module or Flex System Manager event log for any fan- or cooling-related issues.
2. Make sure that the airflow at the front and rear of the chassis is not obstructed and that fillers are in place and correctly installed.
3. Make sure that the room temperature is within operating specifications.
4. Make sure that the DIMM baffles are in place.
5. If the problem remains and no other DIMMs have the same indication, replace the DIMM.

Related links

- "Removing a DIMM" on page 895
- "Installing a DIMM " on page 897

- **806f0a0c-20130113 : An Over-Temperature Condition has been detected on the memory device 19 in Group 1 on Subsystem System Memory.**

An overtemperature condition has been detected in the DIMM in DIMM connector 19.

Severity

Error

Serviceable

Yes

Automatically notify support

No

Alert Category

Critical - Temperature

SNMP Trap ID

0

CIM Information

Prefix: PLAT ID: 0146

User Response

Complete the following steps until the problem is solved:

1. Check the Chassis Management Module or Flex System Manager event log for any fan- or cooling-related issues.
2. Make sure that the airflow at the front and rear of the chassis is not obstructed and that fillers are in place and correctly installed.
3. Make sure that the room temperature is within operating specifications.
4. Make sure that the DIMM baffles are in place.
5. If the problem remains and no other DIMMs have the same indication, replace the DIMM.

Related links

- "Removing a DIMM" on page 895
- "Installing a DIMM " on page 897

- **806f0a0c-2013ffff : An Over-Temperature Condition has been detected on the memory device 19 in Group 1 on Subsystem System Memory.**

An overtemperature condition has been detected in the DIMM in DIMM connector 19.

Severity

Error

Serviceable

Yes

Automatically notify support

No

Alert Category

Critical - Temperature

SNMP Trap ID

0

CIM Information

Prefix: PLAT ID: 0146

User Response

Complete the following steps until the problem is solved:

1. Check the Chassis Management Module or Flex System Manager event log for any fan- or cooling-related issues.
2. Make sure that the airflow at the front and rear of the chassis is not obstructed and that fillers are in place and correctly installed.
3. Make sure that the room temperature is within operating specifications.
4. Make sure that the DIMM baffles are in place.
5. If the problem remains and no other DIMMs have the same indication, replace the DIMM.

Related links

- "Removing a DIMM" on page 895
- "Installing a DIMM " on page 897

- **806f0a0c-20140114 : An Over-Temperature Condition has been detected on the memory device 20 in Group 1 on Subsystem System Memory.**

An overtemperature condition has been detected in the DIMM in DIMM connector 20.

Severity

Error

Serviceable

Yes

Automatically notify support

No

Alert Category

Critical - Temperature

SNMP Trap ID

0

CIM Information

Prefix: PLAT ID: 0146

User Response

Complete the following steps until the problem is solved:

1. Check the Chassis Management Module or Flex System Manager event log for any fan- or cooling-related issues.
2. Make sure that the airflow at the front and rear of the chassis is not obstructed and that fillers are in place and correctly installed.
3. Make sure that the room temperature is within operating specifications.
4. Make sure that the DIMM baffles are in place.
5. If the problem remains and no other DIMMs have the same indication, replace the DIMM.

Related links

- "Removing a DIMM" on page 895
- "Installing a DIMM " on page 897

- **806f0a0c-2014ffff : An Over-Temperature Condition has been detected on the memory device 20 in Group 1 on Subsystem System Memory.**

An overtemperature condition has been detected in the DIMM in DIMM connector 20.

Severity

Error

Serviceable

Yes

Automatically notify support

No

Alert Category

Critical - Temperature

SNMP Trap ID

0

CIM Information

Prefix: PLAT ID: 0146

User Response

Complete the following steps until the problem is solved:

1. Check the Chassis Management Module or Flex System Manager event log for any fan- or cooling-related issues.
2. Make sure that the airflow at the front and rear of the chassis is not obstructed and that fillers are in place and correctly installed.
3. Make sure that the room temperature is within operating specifications.
4. Make sure that the DIMM baffles are in place.
5. If the problem remains and no other DIMMs have the same indication, replace the DIMM.

Related links

- "Removing a DIMM" on page 895
- "Installing a DIMM " on page 897

- **806f0a0c-20150115 : An Over-Temperature Condition has been detected on the memory device 21 in Group 1 on Subsystem System Memory.**

An overtemperature condition has been detected in the DIMM in DIMM connector 21.

Severity

Error

Serviceable

Yes

Automatically notify support

No

Alert Category

Critical - Temperature

SNMP Trap ID

0

CIM Information

Prefix: PLAT ID: 0146

User Response

Complete the following steps until the problem is solved:

1. Check the Chassis Management Module or Flex System Manager event log for any fan- or cooling-related issues.
2. Make sure that the airflow at the front and rear of the chassis is not obstructed and that fillers are in place and correctly installed.
3. Make sure that the room temperature is within operating specifications.
4. Make sure that the DIMM baffles are in place.
5. If the problem remains and no other DIMMs have the same indication, replace the DIMM.

Related links

- "Removing a DIMM" on page 895
- "Installing a DIMM " on page 897

- **806f0a0c-2015ffff : An Over-Temperature Condition has been detected on the memory device 21 in Group 1 on Subsystem System Memory.**

An overtemperature condition has been detected in the DIMM in DIMM connector 21.

Severity

Error

Serviceable

Yes

Automatically notify support

No

Alert Category

Critical - Temperature

SNMP Trap ID

0

CIM Information

Prefix: PLAT ID: 0146

User Response

Complete the following steps until the problem is solved:

1. Check the Chassis Management Module or Flex System Manager event log for any fan- or cooling-related issues.
2. Make sure that the airflow at the front and rear of the chassis is not obstructed and that fillers are in place and correctly installed.
3. Make sure that the room temperature is within operating specifications.
4. Make sure that the DIMM baffles are in place.
5. If the problem remains and no other DIMMs have the same indication, replace the DIMM.

Related links

- "Removing a DIMM" on page 895
- "Installing a DIMM " on page 897

- **806f0a0c-20160116 : An Over-Temperature Condition has been detected on the memory device 22 in Group 1 on Subsystem System Memory.**

An overtemperature condition has been detected in the DIMM in DIMM connector 22.

Severity

Error

Serviceable

Yes

Automatically notify support

No

Alert Category

Critical - Temperature

SNMP Trap ID

0

CIM Information

Prefix: PLAT ID: 0146

User Response

Complete the following steps until the problem is solved:

1. Check the Chassis Management Module or Flex System Manager event log for any fan- or cooling-related issues.
2. Make sure that the airflow at the front and rear of the chassis is not obstructed and that fillers are in place and correctly installed.
3. Make sure that the room temperature is within operating specifications.
4. Make sure that the DIMM baffles are in place.
5. If the problem remains and no other DIMMs have the same indication, replace the DIMM.

Related links

- "Removing a DIMM" on page 895
- "Installing a DIMM " on page 897

- **806f0a0c-2016ffff : An Over-Temperature Condition has been detected on the memory device 22 in Group 1 on Subsystem System Memory.**

An overtemperature condition has been detected in the DIMM in DIMM connector 22.

Severity

Error

Serviceable

Yes

Automatically notify support

No

Alert Category

Critical - Temperature

SNMP Trap ID

0

CIM Information

Prefix: PLAT ID: 0146

User Response

Complete the following steps until the problem is solved:

1. Check the Chassis Management Module or Flex System Manager event log for any fan- or cooling-related issues.
2. Make sure that the airflow at the front and rear of the chassis is not obstructed and that fillers are in place and correctly installed.
3. Make sure that the room temperature is within operating specifications.
4. Make sure that the DIMM baffles are in place.
5. If the problem remains and no other DIMMs have the same indication, replace the DIMM.

Related links

- "Removing a DIMM" on page 895
- "Installing a DIMM " on page 897

- **806f0a0c-20170117 : An Over-Temperature Condition has been detected on the memory device 23 in Group 1 on Subsystem System Memory.**

An overtemperature condition has been detected in the DIMM in DIMM connector 23.

Severity

Error

Serviceable

Yes

Automatically notify support

No

Alert Category

Critical - Temperature

SNMP Trap ID

0

CIM Information

Prefix: PLAT ID: 0146

User Response

Complete the following steps until the problem is solved:

1. Check the Chassis Management Module or Flex System Manager event log for any fan- or cooling-related issues.
2. Make sure that the airflow at the front and rear of the chassis is not obstructed and that fillers are in place and correctly installed.
3. Make sure that the room temperature is within operating specifications.
4. Make sure that the DIMM baffles are in place.
5. If the problem remains and no other DIMMs have the same indication, replace the DIMM.

Related links

- "Removing a DIMM" on page 895
- "Installing a DIMM " on page 897

- **806f0a0c-2017ffff : An Over-Temperature Condition has been detected on the memory device 23 in Group 1 on Subsystem System Memory.**

An overtemperature condition has been detected in the DIMM in DIMM connector 23.

Severity

Error

Serviceable

Yes

Automatically notify support

No

Alert Category

Critical - Temperature

SNMP Trap ID

0

CIM Information

Prefix: PLAT ID: 0146

User Response

Complete the following steps until the problem is solved:

1. Check the Chassis Management Module or Flex System Manager event log for any fan- or cooling-related issues.
2. Make sure that the airflow at the front and rear of the chassis is not obstructed and that fillers are in place and correctly installed.
3. Make sure that the room temperature is within operating specifications.
4. Make sure that the DIMM baffles are in place.
5. If the problem remains and no other DIMMs have the same indication, replace the DIMM.

Related links

- "Removing a DIMM" on page 895
- "Installing a DIMM " on page 897

- **806f0a0c-20180118 : An Over-Temperature Condition has been detected on the memory device 24 in Group 1 on Subsystem System Memory.**

An overtemperature condition has been detected in the DIMM in DIMM connector 24.

Severity

Error

Serviceable

Yes

Automatically notify support

No

Alert Category

Critical - Temperature

SNMP Trap ID

0

CIM Information

Prefix: PLAT ID: 0146

User Response

Complete the following steps until the problem is solved:

1. Check the Chassis Management Module or Flex System Manager event log for any fan- or cooling-related issues.
2. Make sure that the airflow at the front and rear of the chassis is not obstructed and that fillers are in place and correctly installed.
3. Make sure that the room temperature is within operating specifications.
4. Make sure that the DIMM baffles are in place.
5. If the problem remains and no other DIMMs have the same indication, replace the DIMM.

Related links

- "Removing a DIMM" on page 895
- "Installing a DIMM " on page 897

- **806f0a0c-2018ffff : An Over-Temperature Condition has been detected on the memory device 24 in Group 1 on Subsystem System Memory.**

An overtemperature condition has been detected in the DIMM in DIMM connector 24.

Severity

Error

Serviceable

Yes

Automatically notify support

No

Alert Category

Critical - Temperature

SNMP Trap ID

0

CIM Information

Prefix: PLAT ID: 0146

User Response

Complete the following steps until the problem is solved:

1. Check the Chassis Management Module or Flex System Manager event log for any fan- or cooling-related issues.
2. Make sure that the airflow at the front and rear of the chassis is not obstructed and that fillers are in place and correctly installed.
3. Make sure that the room temperature is within operating specifications.
4. Make sure that the DIMM baffles are in place.
5. If the problem remains and no other DIMMs have the same indication, replace the DIMM.

Related links

- "Removing a DIMM" on page 895
- "Installing a DIMM " on page 897

- **806f0a13-2401ffff : A Fatal Bus Error has occurred on bus SMBus.**

A fatal bus error has been detected on the System Management Bus.

Severity

Error

Serviceable

Yes

Automatically notify support

No

Alert Category

Critical - Other

SNMP Trap ID

50

CIM Information

Prefix: PLAT ID: 0244

User Response

This is a UEFI detected event. To find the UEFI diagnostic code for this event, in the information center, follow the instructions in "Finding the UEFI diagnostic code" under "UEFI diagnostic codes." Then, in the information center, open the topic for the UEFI diagnostic code and follow the instructions under "User response."

Related links

- "Finding the UEFI diagnostic code" on page 824

- **806f0a13-2582ffff : A Fatal Bus Error has occurred on system [ComputerSystemElementName].**

A Bus Fatal Error has been detected from one of these sensors: All PCI Error, One of PCI Error, PCIs.

Severity

Error

Serviceable

Yes

Automatically notify support

No

Alert Category

Critical - Other

SNMP Trap ID

50

CIM Information

Prefix: PLAT ID: 0244

User Response

This is a UEFI detected event. The UEFI diagnostic code for this event can be found in the logged IMM message text. Please refer to the UEFI diagnostic code in the "UEFI diagnostic code" section of the Information Center for the appropriate user response.

Related links

- "Finding the UEFI diagnostic code" on page 824

- **806f0a13-2c03ffff : A Fatal Bus Error has occurred on bus PEN Mezz3.**

A fatal bus error has been detected in the I/O expansion adapter in PCIe adapter slot 3 in the PCI expansion unit.

Severity

Error

Serviceable

Yes

Automatically notify support

No

Alert Category

Critical - Other

SNMP Trap ID

50

CIM Information**Prefix:** PLAT ID: 0244**User Response**

This is a UEFI detected event. To find the UEFI diagnostic code for this event, in the information center, follow the instructions in "Finding the UEFI diagnostic code" under "UEFI diagnostic codes." Then, in the information center, open the topic for the UEFI diagnostic code and follow the instructions under "User response."

Related links

- "Finding the UEFI diagnostic code" on page 824

- **806f0a13-2c04ffff : A Fatal Bus Error has occurred on bus PEN Mezz4.**

A fatal bus error has been detected in the I/O expansion adapter in PCIe adapter slot 4 in the PCI expansion unit.

Severity

Error

Serviceable

Yes

Automatically notify support

No

Alert Category

Critical - Other

SNMP Trap ID

50

CIM Information**Prefix:** PLAT ID: 0244**User Response**

This is a UEFI detected event. To find the UEFI diagnostic code for this event, in the information center, follow the instructions in "Finding the UEFI diagnostic code" under "UEFI diagnostic codes." Then, in the information center, open the topic for the UEFI diagnostic code and follow the instructions under "User response."

Related links

- "Finding the UEFI diagnostic code" on page 824

- **806f0a13-3101ffff : A Fatal Bus Error has occurred on bus PEN Slot1.**

A fatal bus error has been detected in the I/O expansion adapter in PCIe adapter slot 1 in the PCI expansion unit.

Severity

Error

Serviceable

Yes

Automatically notify support

No

Alert Category

Critical - Other

SNMP Trap ID

50

CIM Information

Prefix: PLAT ID: 0244

User Response

This is a UEFI detected event. To find the UEFI diagnostic code for this event, in the information center, follow the instructions in "Finding the UEFI diagnostic code" under "UEFI diagnostic codes." Then, in the information center, open the topic for the UEFI diagnostic code and follow the instructions under "User response."

Related links

- "Finding the UEFI diagnostic code" on page 824

- **806f0a13-3102ffff : A Fatal Bus Error has occurred on bus PEN Slot2.**

A fatal bus error has been detected in the I/O expansion adapter in PCIe adapter slot 2 in the PCI expansion unit.

Severity

Error

Serviceable

Yes

Automatically notify support

No

Alert Category

Critical - Other

SNMP Trap ID

50

CIM Information

Prefix: PLAT ID: 0244

User Response

This is a UEFI detected event. To find the UEFI diagnostic code for this event, in the information center, follow the instructions in "Finding the UEFI diagnostic code" under "UEFI diagnostic codes." Then, in the information center, open the topic for the UEFI diagnostic code and follow the instructions under "User response."

Related links

- "Finding the UEFI diagnostic code" on page 824

- **806f0a13-3103ffff : A Fatal Bus Error has occurred on bus PEN Slot3.**

A fatal bus error has been detected in the I/O expansion adapter in PCIe adapter slot 3 in the PCI expansion unit.

Severity

Error

Serviceable

Yes

Automatically notify support

No

Alert Category

Critical - Other

SNMP Trap ID

50

CIM Information

Prefix: PLAT ID: 0244

User Response

This is a UEFI detected event. To find the UEFI diagnostic code for this event, in the information center, follow the instructions in "Finding the UEFI diagnostic code" under "UEFI diagnostic codes." Then, in the information center, open the topic for the UEFI diagnostic code and follow the instructions under "User response."

Related links

- "Finding the UEFI diagnostic code" on page 824

- **806f0a13-3104ffff : A Fatal Bus Error has occurred on bus PEN Slot4.**

A fatal bus error has been detected in the I/O expansion adapter in PCIe adapter slot 4 in the PCI expansion unit.

Severity

Error

Serviceable

Yes

Automatically notify support

No

Alert Category

Critical - Other

SNMP Trap ID

50

CIM Information

Prefix: PLAT ID: 0244

User Response

This is a UEFI detected event. To find the UEFI diagnostic code for this event, in the information center, follow the instructions in "Finding the UEFI diagnostic code" under "UEFI diagnostic codes." Then, in the information center, open the topic for the UEFI diagnostic code and follow the instructions under "User response."

Related links

- "Finding the UEFI diagnostic code" on page 824

- **81010202-0701ffff : Numeric sensor [NumericSensorElementName] going low (lower critical) has deasserted.**

A previously low voltage has returned to above its specified threshold (sensor SysBrd 12V, SysBrd 3.3V, or SysBrd 5V).

Severity

Info

Serviceable

No

Automatically notify support

No

Alert Category

Critical - Voltage

SNMP Trap ID

1

CIM Information

Prefix: PLAT ID: 0481

User Response

Information only; no action is required.

- **81010202-2801ffff : Numeric sensor [NumericSensorElementName] going low (lower critical) has deasserted.**

The previously low CMOS battery voltage has returned to above its specified threshold.

Severity

Info

Serviceable

No

Automatically notify support

No

Alert Category

Critical - Voltage

SNMP Trap ID

1

CIM Information

Prefix: PLAT ID: 0481

User Response

Information only; no action is required.

- **81010701-0400ffff : Numeric sensor Drive 0 Temp going high (upper non-critical) has deasserted.**

Drive 0 temperature no longer exceeds its specified threshold.

Severity

Info

Serviceable

No

Automatically notify support

No

Alert Category

Warning - Temperature

SNMP Trap ID

12

CIM Information

Prefix: PLAT ID: 0491

User Response

Information only; no action is required.

- **81010701-0401ffff : Numeric sensor Drive 1 Temp going high (upper non-critical) has deasserted.**

Drive 1 temperature no longer exceeds its specified threshold.

Severity

Info

Serviceable

No

Automatically notify support

No

Alert Category

Warning - Temperature

SNMP Trap ID

12

CIM Information

Prefix: PLAT ID: 0491

User Response

Information only; no action is required.

- **81010701-0402ffff : Numeric sensor Drive 2 Temp going high (upper non-critical) has deasserted.**

Drive 2 temperature no longer exceeds its specified threshold.

Severity

Info

Serviceable

No

Automatically notify support

No

Alert Category

Warning - Temperature

SNMP Trap ID

12

CIM Information

Prefix: PLAT ID: 0491

User Response

Information only; no action is required.

- **81010701-0403ffff : Numeric sensor Drive 3 Temp going high (upper non-critical) has deasserted.**
Drive 3 temperature no longer exceeds its specified threshold.

Severity

Info

Serviceable

No

Automatically notify support

No

Alert Category

Warning - Temperature

SNMP Trap ID

12

CIM Information

Prefix: PLAT ID: 0491

User Response

Information only; no action is required.

- **81010701-0404ffff : Numeric sensor Drive 4 Temp going high (upper non-critical) has deasserted.**
Drive 4 temperature no longer exceeds its specified threshold.

Severity

Info

Serviceable

No

Automatically notify support

No

Alert Category

Warning - Temperature

SNMP Trap ID

12

CIM Information

Prefix: PLAT ID: 0491

User Response

Information only; no action is required.

- **81010701-0405ffff : Numeric sensor Drive 5 Temp going high (upper non-critical) has deasserted.**
Drive 5 temperature no longer exceeds its specified threshold.

Severity

Info

Serviceable

No

Automatically notify support

No

Alert Category

Warning - Temperature

SNMP Trap ID

12

CIM Information**Prefix:** PLAT ID: 0491**User Response**

Information only; no action is required.

- **81010701-0406ffff : Numeric sensor Drive 6 Temp going high (upper non-critical) has deasserted.**

Drive 6 temperature no longer exceeds its specified threshold.

Severity

Info

Serviceable

No

Automatically notify support

No

Alert Category

Warning - Temperature

SNMP Trap ID

12

CIM Information**Prefix:** PLAT ID: 0491**User Response**

Information only; no action is required.

- **81010701-0407ffff : Numeric sensor Drive 7 Temp going high (upper non-critical) has deasserted.**

Drive 7 temperature no longer exceeds its specified threshold.

Severity

Info

Serviceable

No

Automatically notify support

No

Alert Category

Warning - Temperature

SNMP Trap ID

12

CIM Information

Prefix: PLAT ID: 0491

User Response

Information only; no action is required.

- **81010701-2d01ffff : Numeric sensor PCH Temp going high (upper non-critical) has deasserted.**

The Platform Controller Hub (PCH) temperature no longer exceeds its specified threshold.

Severity

Info

Serviceable

No

Automatically notify support

No

Alert Category

Warning - Temperature

SNMP Trap ID

12

CIM Information

Prefix: PLAT ID: 0491

User Response

Information only; no action is required.

- **81010701-3701ffff : Numeric sensor [NumericSensorElementName] going high (upper non-critical) has deasserted.**

The previously high inlet temperature no longer exceeds its specified threshold.

Severity

Info

Serviceable

No

Automatically notify support

No

Alert Category

Warning - Temperature

SNMP Trap ID

12

CIM Information

Prefix: PLAT ID: 0491

User Response

Information only; no action is required.

- **81010901-0400ffff : Numeric sensor Drive 0 Temp going high (upper critical) has deasserted.**
Drive 0 temperature no longer exceeds its specified threshold.

Severity

Info

Serviceable

No

Automatically notify support

No

Alert Category

Critical - Temperature

SNMP Trap ID

0

CIM Information

Prefix: PLAT ID: 0495

User Response

Information only; no action is required.

- **81010901-0401ffff : Numeric sensor Drive 1 Temp going high (upper critical) has deasserted.**
Drive 1 temperature no longer exceeds its specified threshold.

Severity

Info

Serviceable

No

Automatically notify support

No

Alert Category

Critical - Temperature

SNMP Trap ID

0

CIM Information

Prefix: PLAT ID: 0495

User Response

Information only; no action is required.

- **81010901-0402ffff : Numeric sensor Drive 2 Temp going high (upper critical) has deasserted.**
Drive 2 temperature no longer exceeds its specified threshold.

Severity

Info

Serviceable

No

Automatically notify support

No

Alert Category

Critical - Temperature

SNMP Trap ID

0

CIM Information

Prefix: PLAT ID: 0495

User Response

Information only; no action is required.

- **81010901-0403ffff : Numeric sensor Drive 3 Temp going high (upper critical) has deasserted.**
Drive 3 temperature no longer exceeds its specified threshold.

Severity

Info

Serviceable

No

Automatically notify support

No

Alert Category

Critical - Temperature

SNMP Trap ID

0

CIM Information

Prefix: PLAT ID: 0495

User Response

Information only; no action is required.

- **81010901-0404ffff : Numeric sensor Drive 4 Temp going high (upper critical) has deasserted.**
Drive 4 temperature no longer exceeds its specified threshold.

Severity

Info

Serviceable

No

Automatically notify support

No

Alert Category

Critical - Temperature

SNMP Trap ID

0

CIM Information

Prefix: PLAT ID: 0495

User Response

Information only; no action is required.

- **81010901-0405ffff : Numeric sensor Drive 5 Temp going high (upper critical) has deasserted.**

Drive 5 temperature no longer exceeds its specified threshold.

Severity

Info

Serviceable

No

Automatically notify support

No

Alert Category

Critical - Temperature

SNMP Trap ID

0

CIM Information

Prefix: PLAT ID: 0495

User Response

Information only; no action is required.

- **81010901-0406ffff : Numeric sensor Drive 6 Temp going high (upper critical) has deasserted.**

Drive 6 temperature no longer exceeds its specified threshold.

Severity

Info

Serviceable

No

Automatically notify support

No

Alert Category

Critical - Temperature

SNMP Trap ID

0

CIM Information

Prefix: PLAT ID: 0495

User Response

Information only; no action is required.

- **81010901-0407ffff : Numeric sensor Drive 7 Temp going high (upper critical) has deasserted.**

Drive 7 temperature no longer exceeds its specified threshold.

Severity

Info

Serviceable

No

Automatically notify support

No

Alert Category

Critical - Temperature

SNMP Trap ID

0

CIM Information

Prefix: PLAT ID: 0495

User Response

Information only; no action is required.

- **81010901-2d01ffff : Numeric sensor PCH Temp going high (upper critical) has deasserted.**

The Platform Controller Hub (PCH) temperature no longer exceeds its specified threshold.

Severity

Info

Serviceable

No

Automatically notify support

No

Alert Category

Critical - Temperature

SNMP Trap ID

0

CIM Information

Prefix: PLAT ID: 0495

User Response

Information only; no action is required.

- **81010901-3701ffff : Numeric sensor Inlet Temp going high (upper critical) has deasserted.**

The previously high inlet temperature no longer exceeds its specified threshold.

Severity

Info

Serviceable

No

Automatically notify support

No

Alert Category

Critical - Temperature

SNMP Trap ID

0

CIM Information

Prefix: PLAT ID: 0495

User Response

Information only; no action is required.

- **81010902-0701ffff : Numeric sensor [NumericSensorElementName] going high (upper critical) has deasserted.**

A previously high voltage has returned to above its specified threshold (sensor SysBrd 12V, SysBrd 3.3V, or SysBrd 5V).

Severity

Info

Serviceable

No

Automatically notify support

No

Alert Category

Critical - Voltage

SNMP Trap ID

1

CIM Information

Prefix: PLAT ID: 0495

User Response

Information only; no action is required.

- **81010b01-0400ffff : Numeric sensor [NumericSensorElementName] going high (upper non-recoverable) has deasserted.**

The drive temperature no longer exceeds its specified threshold.

Severity

Info

Serviceable

No

Automatically notify support

No

Alert Category

Critical - Temperature

SNMP Trap ID

0

CIM Information

Prefix: PLAT ID: 0499

User Response

Information only; no action is required.

- **81010b01-0401ffff : Numeric sensor [NumericSensorElementName] going high (upper non-recoverable) has deasserted.**

The drive temperature no longer exceeds its specified threshold.

Severity

Info

Serviceable

No

Automatically notify support

No

Alert Category

Critical - Temperature

SNMP Trap ID

0

CIM Information

Prefix: PLAT ID: 0499

User Response

Information only; no action is required.

- **81010b01-0402ffff : Numeric sensor [NumericSensorElementName] going high (upper non-recoverable) has deasserted.**

The drive temperature no longer exceeds its specified threshold.

Severity

Info

Serviceable

No

Automatically notify support

No

Alert Category

Critical - Temperature

SNMP Trap ID

0

CIM Information

Prefix: PLAT ID: 0499

User Response

Information only; no action is required.

- **81010b01-0403ffff : Numeric sensor [NumericSensorElementName] going high (upper non-recoverable) has deasserted.**

The drive temperature no longer exceeds its specified threshold.

Severity

Info

Serviceable

No

Automatically notify support

No

Alert Category

Critical - Temperature

SNMP Trap ID

0

CIM Information

Prefix: PLAT ID: 0499

User Response

Information only; no action is required.

- **81010b01-0404ffff : Numeric sensor [NumericSensorElementName] going high (upper non-recoverable) has deasserted.**

The drive temperature no longer exceeds its specified threshold.

Severity

Info

Serviceable

No

Automatically notify support

No

Alert Category

Critical - Temperature

SNMP Trap ID

0

CIM Information

Prefix: PLAT ID: 0499

User Response

Information only; no action is required.

- **81010b01-0405ffff : Numeric sensor [NumericSensorElementName] going high (upper non-recoverable) has deasserted.**

The drive temperature no longer exceeds its specified threshold.

Severity

Info

Serviceable

No

Automatically notify support

No

Alert Category

Critical - Temperature

SNMP Trap ID

0

CIM Information

Prefix: PLAT ID: 0499

User Response

Information only; no action is required.

- **81010b01-0406ffff : Numeric sensor [NumericSensorElementName] going high (upper non-recoverable) has deasserted.**

The drive temperature no longer exceeds its specified threshold.

Severity

Info

Serviceable

No

Automatically notify support

No

Alert Category

Critical - Temperature

SNMP Trap ID

0

CIM Information

Prefix: PLAT ID: 0499

User Response

Information only; no action is required.

- **81010b01-0407ffff : Numeric sensor [NumericSensorElementName] going high (upper non-recoverable) has deasserted.**

The drive temperature no longer exceeds its specified threshold.

Severity

Info

Serviceable

No

Automatically notify support

No

Alert Category

Critical - Temperature

SNMP Trap ID

0

CIM Information

Prefix: PLAT ID: 0499

User Response

Information only; no action is required.

- **81010b01-2d01ffff : Numeric sensor PCH Temp going high (upper non-recoverable) has deasserted.**
The Platform Controller Hub (PCH) temperature no longer exceeds its specified threshold.

Severity

Info

Serviceable

No

Automatically notify support

No

Alert Category

Critical - Temperature

SNMP Trap ID

0

CIM Information

Prefix: PLAT ID: 0499

User Response

Information only; no action is required.

- **81010b01-3701ffff : Numeric sensor Inlet Temp going high (upper non-recoverable) has deasserted.**
The previously high inlet temperature no longer exceeds its specified threshold.

Severity

Info

Serviceable

No

Automatically notify support

No

Alert Category

Critical - Temperature

SNMP Trap ID

0

CIM Information

Prefix: PLAT ID: 0499

User Response

Information only; no action is required.

- **81030006-2101ffff : Sensor Sig Verify Fail has asserted.**
Signature verification of one of the Firmware Volumes or Capsules in UEFI BIOS failed.

Severity

Info

Serviceable

No

Automatically notify support

No

Alert Category

System - Other

SNMP Trap ID**CIM Information**

Prefix: PLAT ID: 0508

User Response

Automatic BIOS Recovery (ABR) should cause system to come up from UEFI image in backup bank. Reflash UEFI image in the primary bank. If error does not persist no additional recovery action is required.

- **8103000f-2101ffff : Sensor [SensorElementName] has asserted.**

IMM Firmware is corrupted.

Severity

Info

Serviceable

No

Automatically notify support

No

Alert Category

System - Other

SNMP Trap ID**CIM Information**

Prefix: PLAT ID: 0508

User Response

Check the primary build level and update primary build to latest level.

- **8103010e-2581ffff : Sensor Memory Resized has deasserted.**

System Memory Resized sensor has deasserted.

Severity

Info

Serviceable

No

Automatically notify support

No

Alert Category

System - Other

SNMP Trap ID

CIM Information

Prefix: PLAT ID: 0509

User Response

This is a UEFI detected event. The UEFI diagnostic code for this event can be found in the logged IMM message text. Please refer to the UEFI diagnostic code in the "UEFI diagnostic code" section of the Information Center for the appropriate user response.

Related links

- "Finding the UEFI diagnostic code" on page 824

- **81030112-0601ffff : Sensor [SensorElementName] has deasserted.**

IMM has exited a system maintenance mode (SMM Mode, SMM Monitor) where the current power state is important.

Severity

Info

Serviceable

No

Automatically notify support

No

Alert Category

System - Other

SNMP Trap ID**CIM Information**

Prefix: PLAT ID: 0509

User Response

Information only; no action required.

- **81070101-0301ffff : Sensor CPU 1 Overtemp has deasserted the transition from normal to non-critical state.**

The previously high microprocessor 1 temperature has returned to below its specified threshold.

Severity

Info

Serviceable

No

Automatically notify support

No

Alert Category

Warning - Temperature

SNMP Trap ID

12

CIM Information

Prefix: PLAT ID: 0521

User Response

Information only; no action is required.

- **81070101-0302ffff : Sensor CPU 2 Overtemp has deasserted the transition from normal to non-critical state.**

The previously high microprocessor 2 temperature has returned to below its specified threshold.

Severity

Info

Serviceable

No

Automatically notify support

No

Alert Category

Warning - Temperature

SNMP Trap ID

12

CIM Information

Prefix: PLAT ID: 0521

User Response

Information only; no action is required.

- **81070101-2c01ffff : Sensor Mezz Exp 1 temp has deasserted the transition from normal to non-critical state.**

The previously high I/O Expansion card temperature has returned to below its specified threshold.

Severity

Info

Serviceable

No

Automatically notify support

No

Alert Category

Warning - Temperature

SNMP Trap ID

12

CIM Information

Prefix: PLAT ID: 0521

User Response

Information only; no action is required.

- **81070101-2c02ffff : Sensor [SensorElementName] has deasserted the transition from normal to non-critical state.**

The previously high I/O Expansion card temperature has returned to below its specified threshold.

Severity

Info

Serviceable

No

Automatically notify support

No

Alert Category

Warning - Temperature

SNMP Trap ID

12

CIM Information**Prefix: PLAT ID: 0521****User Response**

Information only; no action is required.

- **8107010f-2201ffff : Sensor [SensorElementName] has deasserted the transition from normal to non-critical state.**

The GPT (GUID Partition Table) in the disk LUN (Logical Unit Number) has returned to normal.

Severity

Info

Serviceable

No

Automatically notify support

No

Alert Category

Warning - Other

SNMP Trap ID

60

CIM Information**Prefix: PLAT ID: 0521****User Response**

Information only; no action is required.

- **8107010f-2582ffff : Sensor [SensorElementName] has deasserted the transition from normal to non-critical state.**

The prior condition of less than optimal I/O resource configuration has been cleared.

Severity

Info

Serviceable

No

Automatically notify support

No

Alert Category

Warning - Other

SNMP Trap ID

60

CIM Information

Prefix: PLAT ID: 0521

User Response

Information only; no action is required.

- **81070114-2201ffff : Sensor [SensorElementName] has deasserted the transition from normal to non-critical state.**

The sensor has returned to normal.

Severity

Info

Serviceable

No

Automatically notify support

No

Alert Category

Warning - Other

SNMP Trap ID

60

CIM Information

Prefix: PLAT ID: 0521

User Response

Information only; no action required.

- **81070201-2d01ffff : Sensor PCH Overtemp has transitioned to a less severe state from critical.**

The PCH Overtemp temperature no longer exceeds its specified threshold.

Severity

Info

Serviceable

No

Automatically notify support

No

Alert Category

Critical - Temperature

SNMP Trap ID

0

CIM Information

Prefix: PLAT ID: 0523

User Response

Information only; no action required.

- **81070202-0701ffff : Sensor SysBrd Vol Fault has transitioned to a less severe state from critical.**

A voltage fault is no longer detected with the system board.

Severity

Info

Serviceable

No

Automatically notify support

No

Alert Category

Critical - Voltage

SNMP Trap ID

1

CIM Information

Prefix: PLAT ID: 0523

User Response

Information only; no action is required.

- **8107020f-2201ffff : Sensor TXT ACM Module has transitioned to a less severe state from critical.**

TXT ACM Module has returned to a normal state.

Severity

Info

Serviceable

No

Automatically notify support

No

Alert Category

Critical - Other

SNMP Trap ID

50

CIM Information

Prefix: PLAT ID: 0523

User Response

Information only; no action is required.

- **8107020f-2582ffff : Sensor No I/O Resources has transitioned to a less severe state from critical.**

The prior I/O resource conflict has been resolved.

Severity

Info

Serviceable

No

Automatically notify support

No

Alert Category

Critical - Other

SNMP Trap ID

50

CIM Information

Prefix: PLAT ID: 0523

User Response

Information only; no action is required.

Related links

- "Finding the UEFI diagnostic code" on page 824

- **81070217-0b05ffff : Sensor ETE Fault has transitioned to a less severe state from critical.**

The ETE Fault sensor has transitioned to a less severe level.

Severity

Info

Serviceable

No

Automatically notify support

No

Alert Category

Critical - Other

SNMP Trap ID

50

CIM Information

Prefix: PLAT ID: 0523

User Response

Information only; no action is required.

- **81070217-2c01ffff : Sensor Mezz Exp 1 Fault has transitioned to a less severe state from critical.**

The I/O Expansion card is no longer in a fault condition.

Severity

Info

Serviceable

No

Automatically notify support

No

Alert Category

Critical - Other

SNMP Trap ID

50

CIM Information

Prefix: PLAT ID: 0523

User Response

Information only; no action is required.

- **81070217-2c02ffff : Sensor Mezz Exp 2 Fault has transitioned to a less severe state from critical.**

The I/O Expansion card is no longer in a fault condition.

Severity

Info

Serviceable

No

Automatically notify support

No

Alert Category

Critical - Other

SNMP Trap ID

50

CIM Information

Prefix: PLAT ID: 0523

User Response

Information only; no action is required.

- **81070219-0701ffff : Sensor Sys Board Fault has transitioned to a less severe state from critical.**

The system board critical fault has cleared.

Severity

Info

Serviceable

No

Automatically notify support

No

Alert Category

Critical - Other

SNMP Trap ID

50

CIM Information

Prefix: PLAT ID: 0523

User Response

Information only; no action is required.

Related links

- "Finding the UEFI diagnostic code" on page 824

- **8107021b-0301ffff : Sensor [SensorElementName] has transitioned to a less severe state from critical.**

IMM has detected that CPU 1 has recovered from a QPI Link Error.

Severity

Info

Serviceable

No

Automatically notify support

No

Alert Category

Critical - Other

SNMP Trap ID

50

CIM Information

Prefix: PLAT ID: 0523

User Response

Information only; no action is required.

- **8107021b-0302ffff : Sensor CPU 2 QPILinkErr has transitioned to a less severe state from critical.**

IMM has detected that CPU 2 has recovered from a QPI Link Error.

Severity

Info

Serviceable

No

Automatically notify support

No

Alert Category

Critical - Other

SNMP Trap ID

50

CIM Information

Prefix: PLAT ID: 0523

User Response

Information only; no action is required.

- **81070301-0301ffff : Sensor CPU 1 Overtemp has deasserted the transition to non-recoverable from a less severe state.**

The previously high microprocessor 1 temperature has returned to below its specified threshold.

Severity

Info

Serviceable

No

Automatically notify support

No

Alert Category

Critical - Temperature

SNMP Trap ID

0

CIM Information**Prefix:** PLAT ID: 0525**User Response**

Information only; no action is required.

- **81070301-0302ffff : Sensor CPU 2 Overtemp has deasserted the transition to non-recoverable from a less severe state.**

The previously high microprocessor 2 temperature has returned to below its specified threshold.

Severity

Info

Serviceable

No

Automatically notify support

No

Alert Category

Critical - Temperature

SNMP Trap ID

0

CIM Information**Prefix:** PLAT ID: 0525**User Response**

Information only; no action is required.

- **81070301-2c01ffff : Sensor Mezz Exp 1 temp has deasserted the transition to non-recoverable from a less severe state.**

The previously high I/O Expansion card temperature has returned below its specified threshold.

Severity

Info

Serviceable

No

Automatically notify support

No

Alert Category

Critical - Temperature

SNMP Trap ID

0

CIM Information

Prefix: PLAT ID: 0525

User Response

Information only; no action is required.

- **81070301-2c02ffff : Sensor Mezz Exp 2 temp has deasserted the transition to non-recoverable from a less severe state.**

The previously high I/O Expansion card temperature has returned below its specified threshold.

Severity

Info

Serviceable

No

Automatically notify support

No

Alert Category

Critical - Temperature

SNMP Trap ID

0

CIM Information

Prefix: PLAT ID: 0525

User Response

Information only; no action is required.

- **81070301-2d01ffff : Sensor PCH Overtemp has deasserted the transition to non-recoverable from a less severe state.**

The PCH Overtemp temperature no longer exceeds its specified threshold.

Severity

Info

Serviceable

No

Automatically notify support

No

Alert Category

Critical - Temperature

SNMP Trap ID

0

CIM Information

Prefix: PLAT ID: 0525

User Response

Information only; no action required.

- **81070601-2c01ffff : Sensor Mezz Exp 1 temp has deasserted the transition to non-recoverable.**

The previously high I/O Expansion card temperature has returned below its specified threshold.

Severity

Info

Serviceable

No

Automatically notify support

No

Alert Category

Critical - Temperature

SNMP Trap ID

0

CIM Information

Prefix: PLAT ID: 0531

User Response

Information only; no action is required.

- **81070601-2c02ffff : Sensor Mezz Exp 2 temp has deasserted the transition to non-recoverable.**

The previously high I/O Expansion card temperature has returned below its specified threshold.

Severity

Info

Serviceable

No

Automatically notify support

No

Alert Category

Critical - Temperature

SNMP Trap ID

0

CIM Information

Prefix: PLAT ID: 0531

User Response

Information only; no action is required.

- **8107060f-2201ffff : Sensor BOFM Config Err has deasserted the transition to non-recoverable.**

The issue with UEFI not able to read the fabric manager configuration from the IMM has cleared.

Severity

Info

Serviceable

No

Automatically notify support

No

Alert Category

Critical - Other

SNMP Trap ID

50

CIM Information

Prefix: PLAT ID: 0531

User Response

Information only; no user action required.

- **81070614-2201ffff : Sensor TPM Phy Pres Set has deasserted the transition to non-recoverable.**

The TPM Phy Pres Set sensor is not longer asserted.

Severity

Info

Serviceable

No

Automatically notify support

No

Alert Category

Critical - Other

SNMP Trap ID

50

CIM Information

Prefix: PLAT ID: 0531

User Response

Information only; no user action required.

- **81070617-2c01ffff : Sensor Mezz Exp 1 Fault has deasserted the transition to non-recoverable.**

The I/O expansion adapter in I/O expansion connector 1 no longer reports a non-recoverable condition.

Severity

Info

Serviceable

No

Automatically notify support

No

Alert Category

Critical - Other

SNMP Trap ID

50

CIM Information

Prefix: PLAT ID: 0531

User Response

Information only; no action is required.

- **81070617-2c02ffff : Sensor Mezz Exp 2 Fault has deasserted the transition to non-recoverable.**

The I/O expansion adapter in I/O expansion connector 2 no longer reports a non-recoverable condition.

Severity

Info

Serviceable

No

Automatically notify support

No

Alert Category

Critical - Other

SNMP Trap ID

50

CIM Information

Prefix: PLAT ID: 0531

User Response

Information only; no action is required.

- **81080017-0f01ffff : Device SAS BP has been added.**

The SAS backplane has been added.

Severity

Info

Serviceable

No

Automatically notify support

No

Alert Category

System - Other

SNMP Trap ID

CIM Information

Prefix: PLAT ID: 0536

User Response

Information only; no action is required.

- **81090112-2101ffff : Device [LogicalDeviceElementName] has been disabled.**

An account with IPMI / SNMP access has been disabled.

Severity

Info

Serviceable

No

Automatically notify support

No

Alert Category

System - Other

SNMP Trap ID**CIM Information**

Prefix: PLAT ID: 0539

User Response

Information only; no action is required.

- **810b010c-2581ffff : Redundancy Lost for [RedundancySetElementName] has deasserted.**

Backup Memory has regained its redundancy.

Severity

Info

Serviceable

No

Automatically notify support

No

Alert Category

Critical - Memory

SNMP Trap ID

41

CIM Information

Prefix: PLAT ID: 0803

User Response

Information only; no action is required.

Related links

- "Finding the UEFI diagnostic code" on page 824

- **810b030c-2581ffff : Non-redundant:Sufficient Resources from Redundancy Degraded or Fully Redundant for [RedundancySetElementName] has deasserted.**

Memory component group has regained its redundancy.

Severity

Info

Serviceable

No

Automatically notify support

No

Alert Category

Warning - Memory

SNMP Trap ID

43

CIM Information

Prefix: PLAT ID: 0807

User Response

Information only; no action is required.

Related links

- "Finding the UEFI diagnostic code" on page 824

- **810b050c-2581ffff : Non-redundant:Insufficient Resources for [RedundancySetElementName] has deasserted.**

Backup Memory has sufficient resources for redundancy.

Severity

Info

Serviceable

No

Automatically notify support

No

Alert Category

Critical - Memory

SNMP Trap ID

41

CIM Information

Prefix: PLAT ID: 0811

User Response

Information only; no action is required.

Related links

- "Finding the UEFI diagnostic code" on page 824

- **816f0007-0301ffff : [ProcessorElementName] has Recovered from IERR.**

A processor has recovered - IERR Condition.

Severity

Info

Serviceable

No

Automatically notify support

No

Alert Category
Critical - CPU

SNMP Trap ID
40

CIM Information
Prefix: PLAT ID: 0043

User Response
Information only; no action is required.

Related links

- "Finding the UEFI diagnostic code" on page 824

- **816f0007-0302ffff : [ProcessorElementName] has Recovered from IERR.**

A processor has recovered - IERR Condition.

Severity
Info

Serviceable
No

Automatically notify support
No

Alert Category
Critical - CPU

SNMP Trap ID
40

CIM Information
Prefix: PLAT ID: 0043

User Response
Information only; no action is required.

Related links

- "Finding the UEFI diagnostic code" on page 824

- **816f0007-2584ffff : [ProcessorElementName] has Recovered from IERR.**

A processor has recovered - IERR Condition.

Severity
Info

Serviceable
No

Automatically notify support
No

Alert Category
Critical - CPU

SNMP Trap ID

40

CIM Information**Prefix:** PLAT ID: 0043**User Response**

Information only; no action is required.

Related links

- "Finding the UEFI diagnostic code" on page 824

- **816f0009-0701ffff : [PowerSupplyElementName] has been turned on.**

IMM has detected that the system power has been turned on.

Severity

Info

Serviceable

No

Automatically notify support

No

Alert Category

System - Power On

SNMP Trap ID

24

CIM Information**Prefix:** PLAT ID: 0107**User Response**

Information only; no action is required.

- **816f000d-0400ffff : The [StorageVolumeElementName] has been removed from unit [PhysicalPackageElementName].**

Presence of drive 0 is no longer detected. If hard drive is absent from drive bay a filler is required.

Severity

Info

Serviceable

No

Automatically notify support

No

Alert Category

System - Other

SNMP Trap ID

22

CIM Information**Prefix:** PLAT ID: 0163

User Response

- If drive was intentionally removed, no action required.
- Make sure that the drive properly seated.
- If drive is properly seated, replace the drive.

- **816f000d-0401ffff : The Drive [StorageVolumeElementName] has been removed from unit [PhysicalPackageElementName].**

Presence of drive 1 is no longer detected. If hard drive is absent from drive bay a filler is required.

Severity

Info

Serviceable

No

Automatically notify support

No

Alert Category

System - Other

SNMP Trap ID

22

CIM Information

Prefix: PLAT ID: 0163

User Response

- If drive was intentionally removed, no action required.
- Make sure that the drive properly seated.
- If drive is properly seated, replace the drive.

- **816f000d-0402ffff : The [StorageVolumeElementName] has been removed from unit [PhysicalPackageElementName].**

Presence of drive 2 is no longer detected. If hard drive is absent from drive bay a filler is required.

Severity

Info

Serviceable

No

Automatically notify support

No

Alert Category

System - Other

SNMP Trap ID

22

CIM Information

Prefix: PLAT ID: 0163

User Response

- If drive was intentionally removed, no action required.
- Make sure that the drive properly seated.
- If drive is properly seated, replace the drive.

- **816f000d-0403ffff : The [StorageVolumeElementName] has been removed from unit [PhysicalPackageElementName].**

Presence of drive 3 is no longer detected. If hard drive is absent from drive bay a filler is required.

Severity

Info

Serviceable

No

Automatically notify support

No

Alert Category

System - Other

SNMP Trap ID

22

CIM Information

Prefix: PLAT ID: 0163

User Response

- If drive was intentionally removed, no action required.
- Make sure that the drive properly seated.
- If drive is properly seated, replace the drive.

- **816f000d-0404ffff : The [StorageVolumeElementName] has been removed from unit [PhysicalPackageElementName].**

Presence of drive 4 is no longer detected. If hard drive is absent from drive bay a filler is required.

Severity

Info

Serviceable

No

Automatically notify support

No

Alert Category

System - Other

SNMP Trap ID

22

CIM Information

Prefix: PLAT ID: 0163

User Response

- If drive was intentionally removed, no action required.
- Make sure that the drive properly seated.

- If drive is properly seated, replace the drive.

- **816f000d-0405ffff : The [StorageVolumeElementName] has been removed from unit [PhysicalPackageElementName].**

Presence of drive 5 is no longer detected. If hard drive is absent from drive bay a filler is required.

Severity

Info

Serviceable

No

Automatically notify support

No

Alert Category

System - Other

SNMP Trap ID

22

CIM Information

Prefix: PLAT ID: 0163

User Response

- If drive was intentionally removed, no action required.
- Make sure that the drive properly seated.
- If drive is properly seated, replace the drive.

- **816f000d-0406ffff : The [StorageVolumeElementName] has been removed from unit [PhysicalPackageElementName].**

Presence of drive 6 is no longer detected. If hard drive is absent from drive bay a filler is required.

Severity

Info

Serviceable

No

Automatically notify support

No

Alert Category

System - Other

SNMP Trap ID

22

CIM Information

Prefix: PLAT ID: 0163

User Response

- If drive was intentionally removed, no action required.
- Make sure that the drive properly seated.
- If drive is properly seated, replace the drive.

- **816f000d-0407ffff : The [StorageVolumeElementName] has been removed from unit [PhysicalPackageElementName].**

Presence of drive 7 is no longer detected. If hard drive is absent from drive bay a filler is required.

Severity

Info

Serviceable

No

Automatically notify support

No

Alert Category

System - Other

SNMP Trap ID

22

CIM Information

Prefix: PLAT ID: 0163

User Response

- If drive was intentionally removed, no action required.
- Make sure that the drive properly seated.
- If drive is properly seated, replace the drive.

- **816f000d-0408ffff : The [StorageVolumeElementName] has been removed from unit [PhysicalPackageElementName].**

Presence of drive 1 is no longer detected. If hard drive is absent from drive bay a filler is required.

Severity

Info

Serviceable

No

Automatically notify support

No

Alert Category

System - Other

SNMP Trap ID

22

CIM Information

Prefix: PLAT ID: 0163

User Response

- If drive was intentionally removed, no action required.
- Make sure that the drive properly seated.
- If drive is properly seated, replace the drive.

- **816f000d-0409ffff : The [StorageVolumeElementName] has been removed from unit [PhysicalPackageElementName].**

Presence of drive 2 is no longer detected. If hard drive is absent from drive bay a filler is required.

Severity

Info

Serviceable

No

Automatically notify support

No

Alert Category

System - Other

SNMP Trap ID

22

CIM Information

Prefix: PLAT ID: 0163

User Response

- If drive was intentionally removed, no action required.
- Make sure that the drive properly seated.
- If drive is properly seated, replace the drive.

- **816f000d-040affff : The [StorageVolumeElementName] has been removed from unit [PhysicalPackageElementName].**

Presence of drive 3 is no longer detected. If hard drive is absent from drive bay a filler is required.

Severity

Info

Serviceable

No

Automatically notify support

No

Alert Category

System - Other

SNMP Trap ID

22

CIM Information

Prefix: PLAT ID: 0163

User Response

- If drive was intentionally removed, no action required.
- Make sure that the drive properly seated.
- If drive is properly seated, replace the drive.

- **816f000d-040bffff : The [StorageVolumeElementName] has been removed from unit [PhysicalPackageElementName].**

Presence of drive 4 is no longer detected. If hard drive is absent from drive bay a filler is required.

Severity

Info

Serviceable

No

Automatically notify support

No

Alert Category

System - Other

SNMP Trap ID

22

CIM Information

Prefix: PLAT ID: 0163

User Response

- If drive was intentionally removed, no action required.
- Make sure that the drive properly seated.
- If drive is properly seated, replace the drive.

- **816f000d-040cffff : The [StorageVolumeElementName] has been removed from unit [PhysicalPackageElementName].**

Presence of drive 5 is no longer detected. If hard drive is absent from drive bay a filler is required.

Severity

Info

Serviceable

No

Automatically notify support

No

Alert Category

System - Other

SNMP Trap ID

22

CIM Information

Prefix: PLAT ID: 0163

User Response

- If drive was intentionally removed, no action required.
- Make sure that the drive properly seated.
- If drive is properly seated, replace the drive.

- **816f000d-040dffff : The [StorageVolumeElementName] has been removed from unit [PhysicalPackageElementName].**

Presence of drive 6 is no longer detected. If hard drive is absent from drive bay a filler is required.

Severity

Info

Serviceable

No

Automatically notify support

No

Alert Category

System - Other

SNMP Trap ID

22

CIM Information

Prefix: PLAT ID: 0163

User Response

- If drive was intentionally removed, no action required.
- Make sure that the drive properly seated.
- If drive is properly seated, replace the drive.

- **816f000d-040effff : The [StorageVolumeElementName] has been removed from unit [PhysicalPackageElementName].**

Presence of drive 7 is no longer detected. If hard drive is absent from drive bay a filler is required.

Severity

Info

Serviceable

No

Automatically notify support

No

Alert Category

System - Other

SNMP Trap ID

22

CIM Information

Prefix: PLAT ID: 0163

User Response

- If drive was intentionally removed, no action required.
- Make sure that the drive properly seated.
- If drive is properly seated, replace the drive.

- **816f000d-040fffff : The [StorageVolumeElementName] has been removed from unit [PhysicalPackageElementName].**

Presence of drive 8 is no longer detected. If hard drive is absent from drive bay a filler is required.

Severity

Info

Serviceable

No

Automatically notify support

No

Alert Category

System - Other

SNMP Trap ID

22

CIM Information

Prefix: PLAT ID: 0163

User Response

- If drive was intentionally removed, no action required.
- Make sure that the drive properly seated.
- If drive is properly seated, replace the drive.

- **816f000d-0410ffff : The [StorageVolumeElementName] has been removed from unit [PhysicalPackageElementName].**

Presence of drive 9 is no longer detected. If hard drive is absent from drive bay a filler is required.

Severity

Info

Serviceable

No

Automatically notify support

No

Alert Category

System - Other

SNMP Trap ID

22

CIM Information

Prefix: PLAT ID: 0163

User Response

- If drive was intentionally removed, no action required.
- Make sure that the drive properly seated.
- If drive is properly seated, replace the drive.

- **816f000d-0411ffff : The [StorageVolumeElementName] has been removed from unit [PhysicalPackageElementName].**

Presence of drive 10 is no longer detected. If hard drive is absent from drive bay a filler is required.

Severity

Info

Serviceable

No

Automatically notify support

No

Alert Category

System - Other

SNMP Trap ID

22

CIM Information

Prefix: PLAT ID: 0163

User Response

- If drive was intentionally removed, no action required.
- Make sure that the drive properly seated.
- If drive is properly seated, replace the drive.

- **816f000d-0412ffff : The [StorageVolumeElementName] has been removed from unit [PhysicalPackageElementName].**

Presence of drive 11 is no longer detected. If hard drive is absent from drive bay a filler is required.

Severity

Info

Serviceable

No

Automatically notify support

No

Alert Category

System - Other

SNMP Trap ID

22

CIM Information

Prefix: PLAT ID: 0163

User Response

- If drive was intentionally removed, no action required.
- Make sure that the drive properly seated.
- If drive is properly seated, replace the drive.

- **816f000d-0413ffff : The [StorageVolumeElementName] has been removed from unit [PhysicalPackageElementName].**

Presence of drive 12 is no longer detected. If hard drive is absent from drive bay a filler is required.

Severity

Info

Serviceable

No

Automatically notify support

No

Alert Category

System - Other

SNMP Trap ID

22

CIM Information

Prefix: PLAT ID: 0163

User Response

- If drive was intentionally removed, no action required.
- Make sure that the drive properly seated.
- If drive is properly seated, replace the drive.

- **816f000d-0414ffff : The [StorageVolumeElementName] has been removed from unit [PhysicalPackageElementName].**

Presence of drive 13 is no longer detected. If hard drive is absent from drive bay a filler is required.

Severity

Info

Serviceable

No

Automatically notify support

No

Alert Category

System - Other

SNMP Trap ID

22

CIM Information

Prefix: PLAT ID: 0163

User Response

- If drive was intentionally removed, no action required.
- Make sure that the drive properly seated.
- If drive is properly seated, replace the drive.

- **816f000d-0415ffff : The [StorageVolumeElementName] has been removed from unit [PhysicalPackageElementName].**

Presence of drive 14 is no longer detected. If hard drive is absent from drive bay a filler is required.

Severity

Info

Serviceable

No

Automatically notify support

No

Alert Category

System - Other

SNMP Trap ID

22

CIM Information

Prefix: PLAT ID: 0163

User Response

- If drive was intentionally removed, no action required.
- Make sure that the drive properly seated.
- If drive is properly seated, replace the drive.

- **816f000d-0416ffff : The [StorageVolumeElementName] has been removed from unit [PhysicalPackageElementName].**

Presence of drive 15 is no longer detected. If hard drive is absent from drive bay a filler is required.

Severity

Info

Serviceable

No

Automatically notify support

No

Alert Category

System - Other

SNMP Trap ID

22

CIM Information

Prefix: PLAT ID: 0163

User Response

- If drive was intentionally removed, no action required.
- Make sure that the drive properly seated.
- If drive is properly seated, replace the drive.

- **816f000d-0417ffff : The [StorageVolumeElementName] has been removed from unit [PhysicalPackageElementName].**

Presence of drive 16 is no longer detected. If hard drive is absent from drive bay a filler is required.

Severity

Info

Serviceable

No

Automatically notify support

No

Alert Category

System - Other

SNMP Trap ID

22

CIM Information

Prefix: PLAT ID: 0163

User Response

- If drive was intentionally removed, no action required.
- Make sure that the drive properly seated.
- If drive is properly seated, replace the drive.

- **816f000f-2201ffff : The System [ComputerSystemElementName] has detected a POST Error deassertion.**

A Post Error has recovered.

Severity

Info

Serviceable

No

Automatically notify support

No

Alert Category

Critical - Other

SNMP Trap ID

50

CIM Information

Prefix: PLAT ID: 0185

User Response

This is a UEFI detected event. The UEFI diagnostic code for this event can be found in the logged IMM message text. Please refer to the UEFI diagnostic code in the "UEFI diagnostic code" section of the Information Center for the appropriate user response.

Related links

- "Finding the UEFI diagnostic code" on page 824

- **816f0013-1701ffff : System [ComputerSystemElementName] has recovered from a diagnostic interrupt.**

The system has recovered from a Front Panel NMI / Diagnostic Interrupt.

Severity

Info

Serviceable

No

Automatically notify support

No

Alert Category

Critical - Other

SNMP Trap ID

50

CIM Information

Prefix: PLAT ID: 0223

User Response

Information only; no action is required.

- **816f0021-2201ffff : Fault condition removed on slot [PhysicalConnectorElementName] on system [ComputerSystemElementName].**

A fault in a slot has been removed. No Op ROM Space.

Severity

Info

Serviceable

No

Automatically notify support

No

Alert Category

Critical - Other

SNMP Trap ID

50

CIM Information

Prefix: PLAT ID: 0331

User Response

Information only; no action is required.

Related links

- "Finding the UEFI diagnostic code" on page 824

- **816f0021-2582ffff : Fault condition removed on slot [PhysicalConnectorElementName] on system [ComputerSystemElementName].**

A fault in a slot has been recovered, PCIe Error.

Severity

Info

Serviceable

No

Automatically notify support

No

Alert Category

Critical - Other

SNMP Trap ID

50

CIM Information

Prefix: PLAT ID: 0331

User Response

This is a UEFI detected event. The UEFI diagnostic code for this event can be found in the logged IMM message text. Please refer to the UEFI diagnostic code in the "UEFI diagnostic code" section of the Information Center for the appropriate user response.

Related links

- "Finding the UEFI diagnostic code" on page 824

- **816f0028-2101ffff : Sensor TPM Cmd Failures has returned to normal on management system [ComputerSystemElementName].**

TPM was initialized and started successfully.

Severity

Info

Serviceable

No

Automatically notify support

No

Alert Category

Warning - Other

SNMP Trap ID

60

CIM Information

Prefix: PLAT ID: 0399

User Response

Information Only; no action is required.

- **816f0107-0301ffff : An Over-Temperature Condition has been removed on [ProcessorElementName].**

The microprocessor 1 temperature has returned to below the critical level.

Severity

Info

Serviceable

No

Automatically notify support

No

Alert Category

Critical - Temperature

SNMP Trap ID

0

CIM Information

Prefix: PLAT ID: 0037

User Response

Information only; no action is required.

- **816f0107-0302ffff : An Over-Temperature Condition has been removed on [ProcessorElementName].**
The microprocessor 2 temperature has returned to below the critical level.

Severity

Info

Serviceable

No

Automatically notify support

No

Alert Category

Critical - Temperature

SNMP Trap ID

0

CIM Information

Prefix: PLAT ID: 0037

User Response

Information only; no action is required.

- **816f0107-2584ffff : An Over-Temperature Condition has been removed on [ProcessorElementName].**
The previously high temperature of the specified microprocessor has returned to below its specified threshold.

Severity

Info

Serviceable

No

Automatically notify support

No

Alert Category

Critical - Temperature

SNMP Trap ID

0

CIM Information

Prefix: PLAT ID: 0037

User Response

Information only; no action is required.

- **816f010c-2001ffff : Uncorrectable error recovery detected for [PhysicalMemoryElementName] on Subsystem [MemoryElementName].**
A memory uncorrectable error has recovered.

Severity

Info

Serviceable

No

Automatically notify support

No

Alert Category

Critical - Memory

SNMP Trap ID

41

CIM Information

Prefix: PLAT ID: 0139

User Response

Information only; no action is required.

Related links

- "Finding the UEFI diagnostic code" on page 824

- **816f010c-2002ffff : Uncorrectable error recovery detected for [PhysicalMemoryElementName] on Subsystem [MemoryElementName].**

A memory uncorrectable error has recovered.

Severity

Info

Serviceable

No

Automatically notify support

No

Alert Category

Critical - Memory

SNMP Trap ID

41

CIM Information

Prefix: PLAT ID: 0139

User Response

Information only; no action is required.

Related links

- "Finding the UEFI diagnostic code" on page 824

- **816f010c-2003ffff : Uncorrectable error recovery detected for [PhysicalMemoryElementName] on Subsystem [MemoryElementName].**

A memory uncorrectable error has recovered.

Severity

Info

Serviceable

No

Automatically notify support

No

Alert Category

Critical - Memory

SNMP Trap ID

41

CIM Information

Prefix: PLAT ID: 0139

User Response

Information only; no action is required.

Related links

- "Finding the UEFI diagnostic code" on page 824

- **816f010c-2004ffff : Uncorrectable error recovery detected for [PhysicalMemoryElementName] on Subsystem [MemoryElementName].**

A memory uncorrectable error has recovered.

Severity

Info

Serviceable

No

Automatically notify support

No

Alert Category

Critical - Memory

SNMP Trap ID

41

CIM Information

Prefix: PLAT ID: 0139

User Response

Information only; no action is required.

Related links

- "Finding the UEFI diagnostic code" on page 824

- **816f010c-2005ffff : Uncorrectable error recovery detected for [PhysicalMemoryElementName] on Subsystem [MemoryElementName].**

A memory uncorrectable error has recovered.

Severity

Info

Serviceable

No

Automatically notify support

No

Alert Category

Critical - Memory

SNMP Trap ID

41

CIM Information

Prefix: PLAT ID: 0139

User Response

Information only; no action is required.

Related links

- "Finding the UEFI diagnostic code" on page 824

- **816f010c-2006ffff : Uncorrectable error recovery detected for [PhysicalMemoryElementName] on Subsystem [MemoryElementName].**

A memory uncorrectable error has recovered.

Severity

Info

Serviceable

No

Automatically notify support

No

Alert Category

Critical - Memory

SNMP Trap ID

41

CIM Information

Prefix: PLAT ID: 0139

User Response

Information only; no action is required.

Related links

- "Finding the UEFI diagnostic code" on page 824

- **816f010c-2007ffff : Uncorrectable error recovery detected for [PhysicalMemoryElementName] on Subsystem [MemoryElementName].**

A memory uncorrectable error has recovered.

Severity

Info

Serviceable

No

Automatically notify support

No

Alert Category

Critical - Memory

SNMP Trap ID

41

CIM Information

Prefix: PLAT ID: 0139

User Response

Information only; no action is required.

Related links

- "Finding the UEFI diagnostic code" on page 824

- **816f010c-2008ffff : Uncorrectable error recovery detected for [PhysicalMemoryElementName] on Subsystem [MemoryElementName].**

A memory uncorrectable error has recovered.

Severity

Info

Serviceable

No

Automatically notify support

No

Alert Category

Critical - Memory

SNMP Trap ID

41

CIM Information

Prefix: PLAT ID: 0139

User Response

Information only; no action is required.

Related links

- "Finding the UEFI diagnostic code" on page 824

- **816f010c-2009ffff : Uncorrectable error recovery detected for [PhysicalMemoryElementName] on Subsystem [MemoryElementName].**

A memory uncorrectable error has recovered.

Severity

Info

Serviceable

No

Automatically notify support

No

Alert Category

Critical - Memory

SNMP Trap ID

41

CIM Information**Prefix:** PLAT ID: 0139**User Response**

Information only; no action is required.

Related links

- "Finding the UEFI diagnostic code" on page 824

- **816f010c-200affff : Uncorrectable error recovery detected for [PhysicalMemoryElementName] on Subsystem [MemoryElementName].**

A memory uncorrectable error has recovered.

Severity

Info

Serviceable

No

Automatically notify support

No

Alert Category

Critical - Memory

SNMP Trap ID

41

CIM Information**Prefix:** PLAT ID: 0139**User Response**

Information only; no action is required.

Related links

- "Finding the UEFI diagnostic code" on page 824

- **816f010c-200bffff : Uncorrectable error recovery detected for [PhysicalMemoryElementName] on Subsystem [MemoryElementName].**

A memory uncorrectable error has recovered.

Severity

Info

Serviceable

No

Automatically notify support

No

Alert Category

Critical - Memory

SNMP Trap ID

41

CIM Information

Prefix: PLAT **ID:** 0139

User Response

Information only; no action is required.

Related links

- "Finding the UEFI diagnostic code" on page 824

- **816f010c-200cffff : Uncorrectable error recovery detected for [PhysicalMemoryElementName] on Subsystem [MemoryElementName].**

A memory uncorrectable error has recovered.

Severity

Info

Serviceable

No

Automatically notify support

No

Alert Category

Critical - Memory

SNMP Trap ID

41

CIM Information

Prefix: PLAT **ID:** 0139

User Response

Information only; no action is required.

Related links

- "Finding the UEFI diagnostic code" on page 824

- **816f010c-200dffff : Uncorrectable error recovery detected for [PhysicalMemoryElementName] on Subsystem [MemoryElementName].**

A memory uncorrectable error has recovered.

Severity

Info

Serviceable

No

Automatically notify support

No

Alert Category

Critical - Memory

SNMP Trap ID

41

CIM Information

Prefix: PLAT ID: 0139

User Response

Information only; no action is required.

Related links

- "Finding the UEFI diagnostic code" on page 824

- **816f010c-200effff : Uncorrectable error recovery detected for [PhysicalMemoryElementName] on Subsystem [MemoryElementName].**

A memory uncorrectable error has recovered.

Severity

Info

Serviceable

No

Automatically notify support

No

Alert Category

Critical - Memory

SNMP Trap ID

41

CIM Information

Prefix: PLAT ID: 0139

User Response

Information only; no action is required.

Related links

- "Finding the UEFI diagnostic code" on page 824

- **816f010c-200fffff : Uncorrectable error recovery detected for [PhysicalMemoryElementName] on Subsystem [MemoryElementName].**

A memory uncorrectable error has recovered.

Severity

Info

Serviceable

No

Automatically notify support

No

Alert Category

Critical - Memory

SNMP Trap ID

41

CIM Information

Prefix: PLAT ID: 0139

User Response

Information only; no action is required.

Related links

- "Finding the UEFI diagnostic code" on page 824

- **816f010c-2010ffff : Uncorrectable error recovery detected for [PhysicalMemoryElementName] on Subsystem [MemoryElementName].**

A memory uncorrectable error has recovered.

Severity

Info

Serviceable

No

Automatically notify support

No

Alert Category

Critical - Memory

SNMP Trap ID

41

CIM Information

Prefix: PLAT ID: 0139

User Response

Information only; no action is required.

Related links

- "Finding the UEFI diagnostic code" on page 824

- **816f010c-2011ffff : Uncorrectable error recovery detected for [PhysicalMemoryElementName] on Subsystem [MemoryElementName].**

A memory uncorrectable error has recovered.

Severity

Info

Serviceable

No

Automatically notify support

No

Alert Category

Critical - Memory

SNMP Trap ID

41

CIM Information

Prefix: PLAT ID: 0139

User Response

Information only; no action is required.

Related links

- "Finding the UEFI diagnostic code" on page 824

- **816f010c-2012ffff : Uncorrectable error recovery detected for [PhysicalMemoryElementName] on Subsystem [MemoryElementName].**

A memory uncorrectable error has recovered.

Severity

Info

Serviceable

No

Automatically notify support

No

Alert Category

Critical - Memory

SNMP Trap ID

41

CIM Information

Prefix: PLAT ID: 0139

User Response

Information only; no action is required.

Related links

- "Finding the UEFI diagnostic code" on page 824

- **816f010c-2013ffff : Uncorrectable error recovery detected for [PhysicalMemoryElementName] on Subsystem [MemoryElementName].**

A memory uncorrectable error has recovered.

Severity

Info

Serviceable

No

Automatically notify support

No

Alert Category

Critical - Memory

SNMP Trap ID

41

CIM Information

Prefix: PLAT ID: 0139

User Response

Information only; no action is required.

Related links

- "Finding the UEFI diagnostic code" on page 824

- **816f010c-2014ffff : Uncorrectable error recovery detected for [PhysicalMemoryElementName] on Subsystem [MemoryElementName].**

A memory uncorrectable error has recovered.

Severity

Info

Serviceable

No

Automatically notify support

No

Alert Category

Critical - Memory

SNMP Trap ID

41

CIM Information

Prefix: PLAT ID: 0139

User Response

Information only; no action is required.

Related links

- "Finding the UEFI diagnostic code" on page 824

- **816f010c-2015ffff : Uncorrectable error recovery detected for [PhysicalMemoryElementName] on Subsystem [MemoryElementName].**

A memory uncorrectable error has recovered.

Severity

Info

Serviceable

No

Automatically notify support

No

Alert Category

Critical - Memory

SNMP Trap ID

41

CIM Information

Prefix: PLAT ID: 0139

User Response

Information only; no action is required.

Related links

- "Finding the UEFI diagnostic code" on page 824

- **816f010c-2016ffff : Uncorrectable error recovery detected for [PhysicalMemoryElementName] on Subsystem [MemoryElementName].**

A memory uncorrectable error has recovered.

Severity

Info

Serviceable

No

Automatically notify support

No

Alert Category

Critical - Memory

SNMP Trap ID

41

CIM Information

Prefix: PLAT ID: 0139

User Response

Information only; no action is required.

Related links

- "Finding the UEFI diagnostic code" on page 824

- **816f010c-2017ffff : Uncorrectable error recovery detected for [PhysicalMemoryElementName] on Subsystem [MemoryElementName].**

A memory uncorrectable error has recovered.

Severity

Info

Serviceable

No

Automatically notify support

No

Alert Category

Critical - Memory

SNMP Trap ID

41

CIM Information

Prefix: PLAT ID: 0139

User Response

Information only; no action is required.

Related links

– “Finding the UEFI diagnostic code” on page 824

- **816f010c-2018ffff : Uncorrectable error recovery detected for [PhysicalMemoryElementName] on Subsystem [MemoryElementName].**

A memory uncorrectable error has recovered.

Severity

Info

Serviceable

No

Automatically notify support

No

Alert Category

Critical - Memory

SNMP Trap ID

41

CIM Information

Prefix: PLAT ID: 0139

User Response

Information only; no action is required.

Related links

– “Finding the UEFI diagnostic code” on page 824

- **816f010c-2581ffff : Uncorrectable error recovery detected for [PhysicalMemoryElementName] on Subsystem [MemoryElementName].**

A memory uncorrectable error has recovered.

Severity

Info

Serviceable

No

Automatically notify support

No

Alert Category

Critical - Memory

SNMP Trap ID

41

CIM Information

Prefix: PLAT ID: 0139

User Response

Information only; no action is required.

Related links

- "Finding the UEFI diagnostic code" on page 824

- **816f010d-0400ffff : The [StorageVolumeElementName] has been enabled.**

The previously disabled drive 0 has been enabled.

Severity

Info

Serviceable

No

Automatically notify support

No

Alert Category

Critical - Hard Disk drive

SNMP Trap ID

5

CIM Information

Prefix: PLAT ID: 0167

User Response

Information only; no action is required.

- **816f010d-0401ffff : The [StorageVolumeElementName] has been enabled.**

The previously disabled drive 1 has been enabled.

Severity

Info

Serviceable

No

Automatically notify support

No

Alert Category

Critical - Hard Disk drive

SNMP Trap ID

5

CIM Information

Prefix: PLAT ID: 0167

User Response

Information only; no action is required.

- **816f010d-0402ffff : The [StorageVolumeElementName] has been enabled.**

The previously disabled drive 2 has been enabled.

Severity

Info

Serviceable

No

Automatically notify support

No

Alert Category

Critical - Hard Disk drive

SNMP Trap ID

5

CIM Information

Prefix: PLAT ID: 0167

User Response

Information only; no action is required.

- **816f010d-0403ffff : The [StorageVolumeElementName] has been enabled.**

The previously disabled drive 3 has been enabled.

Severity

Info

Serviceable

No

Automatically notify support

No

Alert Category

Critical - Hard Disk drive

SNMP Trap ID

5

CIM Information

Prefix: PLAT ID: 0167

User Response

Information only; no action is required.

- **816f010d-0404ffff : The [StorageVolumeElementName] has been enabled.**

The previously disabled drive 4 has been enabled.

Severity

Info

Serviceable

No

Automatically notify support

No

Alert Category

Critical - Hard Disk drive

SNMP Trap ID

5

CIM Information

Prefix: PLAT ID: 0167

User Response

Information only; no action is required.

- **816f010d-0405ffff : The [StorageVolumeElementName] has been enabled.**

The previously disabled drive 5 has been enabled.

Severity

Info

Serviceable

No

Automatically notify support

No

Alert Category

Critical - Hard Disk drive

SNMP Trap ID

5

CIM Information

Prefix: PLAT ID: 0167

User Response

Information only; no action is required.

- **816f010d-0406ffff : The [StorageVolumeElementName] has been enabled.**

The previously disabled drive 6 has been enabled.

Severity

Info

Serviceable

No

Automatically notify support

No

Alert Category

Critical - Hard Disk drive

SNMP Trap ID

5

CIM Information

Prefix: PLAT ID: 0167

User Response

Information only; no action is required.

- **816f010d-0407ffff : The [StorageVolumeElementName] has been enabled.**

The previously disabled drive 7 has been enabled.

Severity

Info

Serviceable

No

Automatically notify support

No

Alert Category

Critical - Hard Disk drive

SNMP Trap ID

5

CIM Information

Prefix: PLAT ID: 0167

User Response

Information only; no action is required.

- **816f010d-0408ffff : The [StorageVolumeElementName] has been enabled.**

The previously disabled drive has been enabled.

Severity

Info

Serviceable

No

Automatically notify support

No

Alert Category

Critical - Hard Disk drive

SNMP Trap ID

5

CIM Information

Prefix: PLAT ID: 0167

User Response

Information only; no action is required.

- **816f010d-0409ffff : The [StorageVolumeElementName] has been enabled.**

The previously disabled drive has been enabled.

Severity

Info

Serviceable

No

Automatically notify support

No

Alert Category

Critical - Hard Disk drive

SNMP Trap ID

5

CIM Information**Prefix:** PLAT ID: 0167**User Response**

Information only; no action is required.

- **816f010d-040affff : The [StorageVolumeElementName] has been enabled.**

The previously disabled drive has been enabled.

Severity

Info

Serviceable

No

Automatically notify support

No

Alert Category

Critical - Hard Disk drive

SNMP Trap ID

5

CIM Information**Prefix:** PLAT ID: 0167**User Response**

Information only; no action is required.

- **816f010d-040bffff : The [StorageVolumeElementName] has been enabled.**

The previously disabled drive has been enabled.

Severity

Info

Serviceable

No

Automatically notify support

No

Alert Category

Critical - Hard Disk drive

SNMP Trap ID

5

CIM Information**Prefix:** PLAT ID: 0167**User Response**

Information only; no action is required.

- **816f010d-040cffff : The [StorageVolumeElementName] has been enabled.**

The previously disabled drive has been enabled.

Severity

Info

Serviceable

No

Automatically notify support

No

Alert Category

Critical - Hard Disk drive

SNMP Trap ID

5

CIM Information

Prefix: PLAT ID: 0167

User Response

Information only; no action is required.

- **816f010d-040dffff : The [StorageVolumeElementName] has been enabled.**

The previously disabled drive has been enabled.

Severity

Info

Serviceable

No

Automatically notify support

No

Alert Category

Critical - Hard Disk drive

SNMP Trap ID

5

CIM Information

Prefix: PLAT ID: 0167

User Response

Information only; no action is required.

- **816f010d-040effff : The [StorageVolumeElementName] has been enabled.**

The previously disabled drive has been enabled.

Severity

Info

Serviceable

No

Automatically notify support

No

Alert Category

Critical - Hard Disk drive

SNMP Trap ID

5

CIM Information

Prefix: PLAT ID: 0167

User Response

Information only; no action is required.

- **816f010d-040fffff : The [StorageVolumeElementName] has been enabled.**

The previously disabled drive has been enabled.

Severity

Info

Serviceable

No

Automatically notify support

No

Alert Category

Critical - Hard Disk drive

SNMP Trap ID

5

CIM Information

Prefix: PLAT ID: 0167

User Response

Information only; no action is required.

- **816f010d-0410ffff : The [StorageVolumeElementName] has been enabled.**

The previously disabled drive has been enabled.

Severity

Info

Serviceable

No

Automatically notify support

No

Alert Category

Critical - Hard Disk drive

SNMP Trap ID

5

CIM Information

Prefix: PLAT ID: 0167

User Response

Information only; no action is required.

- **816f010d-0411ffff : The [StorageVolumeElementName] has been enabled.**

The previously disabled drive has been enabled.

Severity

Info

Serviceable

No

Automatically notify support

No

Alert Category

Critical - Hard Disk drive

SNMP Trap ID

5

CIM Information

Prefix: PLAT ID: 0167

User Response

Information only; no action is required.

- **816f010d-0412ffff : The [StorageVolumeElementName] has been enabled.**

The previously disabled drive has been enabled.

Severity

Info

Serviceable

No

Automatically notify support

No

Alert Category

Critical - Hard Disk drive

SNMP Trap ID

5

CIM Information

Prefix: PLAT ID: 0167

User Response

Information only; no action is required.

- **816f010d-0413ffff : The [StorageVolumeElementName] has been enabled.**

The previously disabled drive has been enabled.

Severity

Info

Serviceable

No

Automatically notify support

No

Alert Category

Critical - Hard Disk drive

SNMP Trap ID

5

CIM Information

Prefix: PLAT ID: 0167

User Response

Information only; no action is required.

- **816f010d-0414ffff : The [StorageVolumeElementName] has been enabled.**

The previously disabled drive has been enabled.

Severity

Info

Serviceable

No

Automatically notify support

No

Alert Category

Critical - Hard Disk drive

SNMP Trap ID

5

CIM Information

Prefix: PLAT ID: 0167

User Response

Information only; no action is required.

- **816f010d-0415ffff : The [StorageVolumeElementName] has been enabled.**

The previously disabled drive has been enabled.

Severity

Info

Serviceable

No

Automatically notify support

No

Alert Category

Critical - Hard Disk drive

SNMP Trap ID

5

CIM Information

Prefix: PLAT ID: 0167

User Response

Information only; no action is required.

- **816f010d-0416ffff : The [StorageVolumeElementName] has been enabled.**

The previously disabled drive has been enabled.

Severity

Info

Serviceable

No

Automatically notify support

No

Alert Category

Critical - Hard Disk drive

SNMP Trap ID

5

CIM Information

Prefix: PLAT ID: 0167

User Response

Information only; no action is required.

- **816f010d-0417ffff : The [StorageVolumeElementName] has been enabled.**

The previously disabled drive has been enabled.

Severity

Info

Serviceable

No

Automatically notify support

No

Alert Category

Critical - Hard Disk drive

SNMP Trap ID

5

CIM Information

Prefix: PLAT ID: 0167

User Response

Information only; no action is required.

- **816f010f-2201ffff : The System [ComputerSystemElementName] has recovered from a firmware hang.**

A System Firmware hang has recovered.

Severity

Info

Serviceable

No

Automatically notify support

No

Alert Category

Critical - Other

SNMP Trap ID

50

CIM Information

Prefix: PLAT ID: 0187

User Response

Information only; no action is required.

Related links

- "Finding the UEFI diagnostic code" on page 824

- **816f0125-1f05ffff : [ManagedElementName] detected as present.**

The LAN on Motherboard (LOM) has detected been present.

Severity

Info

Serviceable

No

Automatically notify support

No

Alert Category

System - Other

SNMP Trap ID

CIM Information

Prefix: PLAT ID: 0390

User Response

Information only; no action is required.

- **816f0207-0301ffff : [ProcessorElementName] has Recovered from FRB1/BIST condition.**

A processor has recovered - FRB1/BIST condition.

Severity

Info

Serviceable

No

Automatically notify support

No

Alert Category

Critical - CPU

SNMP Trap ID

40

CIM Information

Prefix: PLAT ID: 0045

User Response

Information only; no action is required.

Related links

- "Finding the UEFI diagnostic code" on page 824

- **816f0207-0302ffff : [ProcessorElementName] has Recovered from FRB1/BIST condition.**

A processor has recovered - FRB1/BIST condition.

Severity

Info

Serviceable

No

Automatically notify support

No

Alert Category

Critical - CPU

SNMP Trap ID

40

CIM Information

Prefix: PLAT ID: 0045

User Response

Information only; no action is required.

Related links

- "Finding the UEFI diagnostic code" on page 824

- **816f0207-2584ffff : [ProcessorElementName] has Recovered from FRB1/BIST condition.**

A processor has recovered - FRB1/BIST condition.

Severity

Info

Serviceable

No

Automatically notify support

No

Alert Category

Critical - CPU

SNMP Trap ID

40

CIM Information

Prefix: PLAT ID: 0045

User Response

Information only; no action is required.

Related links

- "Finding the UEFI diagnostic code" on page 824

- **816f020d-0400ffff : Failure no longer Predicted on [StorageVolumeElementName] for array [ComputerSystemElementName].**

The predicted failure for Drive 0 no longer exists.

Severity

Info

Serviceable

No

Automatically notify support

No

Alert Category

System - Predicted Failure

SNMP Trap ID

27

CIM Information

Prefix: PLAT ID: 0169

User Response

Information only; no action is required.

- **816f020d-0401ffff : Failure no longer Predicted on [StorageVolumeElementName] for array [ComputerSystemElementName].**

The predicted failure for Drive 1 no longer exists.

Severity

Info

Serviceable

No

Automatically notify support

No

Alert Category

System - Predicted Failure

SNMP Trap ID

27

CIM Information

Prefix: PLAT ID: 0169

User Response

Information only; no action is required.

- **816f020d-0402ffff : Failure no longer Predicted on [StorageVolumeElementName] for array [ComputerSystemElementName].**

The predicted failure for Drive 2 no longer exists.

Severity

Info

Serviceable

No

Automatically notify support

No

Alert Category

System - Predicted Failure

SNMP Trap ID

27

CIM Information

Prefix: PLAT ID: 0169

User Response

Information only; no action is required.

- **816f020d-0403ffff : Failure no longer Predicted on [StorageVolumeElementName] for array [ComputerSystemElementName].**

The predicted failure for Drive 3 no longer exists.

Severity

Info

Serviceable

No

Automatically notify support

No

Alert Category

System - Predicted Failure

SNMP Trap ID

27

CIM Information

Prefix: PLAT ID: 0169

User Response

Information only; no action is required.

- **816f020d-0404ffff : Failure no longer Predicted on [StorageVolumeElementName] for array [ComputerSystemElementName].**

The predicted failure for Drive 4 no longer exists.

Severity

Info

Serviceable

No

Automatically notify support

No

Alert Category

System - Predicted Failure

SNMP Trap ID

27

CIM Information

Prefix: PLAT ID: 0169

User Response

Information only; no action is required.

- **816f020d-0405ffff : Failure no longer Predicted on [StorageVolumeElementName] for array [ComputerSystemElementName].**

The predicted failure for Drive 5 no longer exists.

Severity

Info

Serviceable

No

Automatically notify support

No

Alert Category

System - Predicted Failure

SNMP Trap ID

27

CIM Information

Prefix: PLAT ID: 0169

User Response

Information only; no action is required.

- **816f020d-0406ffff : Failure no longer Predicted on [StorageVolumeElementName] for array [ComputerSystemElementName].**

The predicted failure for Drive 6 no longer exists.

Severity

Info

Serviceable

No

Automatically notify support

No

Alert Category

System - Predicted Failure

SNMP Trap ID

27

CIM Information

Prefix: PLAT ID: 0169

User Response

Information only; no action is required.

- **816f020d-0407ffff : Failure no longer Predicted on [StorageVolumeElementName] for array [ComputerSystemElementName].**

The predicted failure for Drive 7 no longer exists.

Severity

Info

Serviceable

No

Automatically notify support

No

Alert Category

System - Predicted Failure

SNMP Trap ID

27

CIM Information

Prefix: PLAT ID: 0169

User Response

Information only; no action is required.

- **816f020d-0408ffff : Failure no longer Predicted on [StorageVolumeElementName] for array [ComputerSystemElementName].**

The predicted failure for Drive 1 no longer exists.

Severity

Info

Serviceable

No

Automatically notify support

No

Alert Category

System - Predicted Failure

SNMP Trap ID

CIM Information

Prefix: PLAT ID: 0169

User Response

Information only; no action is required.

- **816f020d-0409ffff : Failure no longer Predicted on [StorageVolumeElementName] for array [ComputerSystemElementName].**

The predicted failure for Drive 2 no longer exists.

Severity

Info

Serviceable

No

Automatically notify support

No

Alert Category

System - Predicted Failure

SNMP Trap ID

27

CIM Information

Prefix: PLAT ID: 0169

User Response

Information only; no action is required.

- **816f020d-040affff : Failure no longer Predicted on [StorageVolumeElementName] for array [ComputerSystemElementName].**

The predicted failure for Drive 2 no longer exists.

Severity

Info

Serviceable

No

Automatically notify support

No

Alert Category

System - Predicted Failure

SNMP Trap ID

27

CIM Information

Prefix: PLAT ID: 0169

User Response

Information only; no action is required.

- **816f020d-040bffff : Failure no longer Predicted on [StorageVolumeElementName] for array [ComputerSystemElementName].**

The predicted failure for Drive 4 no longer exists.

Severity

Info

Serviceable

No

Automatically notify support

No

Alert Category

System - Predicted Failure

SNMP Trap ID

27

CIM Information

Prefix: PLAT ID: 0169

User Response

Information only; no action is required.

- **816f020d-040cffff : Failure no longer Predicted on [StorageVolumeElementName] for array [ComputerSystemElementName].**

The predicted failure for Drive 5 no longer exists.

Severity

Info

Serviceable

No

Automatically notify support

No

Alert Category

System - Predicted Failure

SNMP Trap ID

27

CIM Information

Prefix: PLAT ID: 0169

User Response

Information only; no action is required.

- **816f020d-040dffff : Failure no longer Predicted on [StorageVolumeElementName] for array [ComputerSystemElementName].**

The predicted failure for Drive 6 no longer exists.

Severity

Info

Serviceable

No

Automatically notify support

No

Alert Category

System - Predicted Failure

SNMP Trap ID

27

CIM Information

Prefix: PLAT ID: 0169

User Response

Information only; no action is required.

- **816f020d-040effff : Failure no longer Predicted on [StorageVolumeElementName] for array [ComputerSystemElementName].**

The predicted failure for Drive 7 no longer exists.

Severity

Info

Serviceable

No

Automatically notify support

No

Alert Category

System - Predicted Failure

SNMP Trap ID

27

CIM Information

Prefix: PLAT ID: 0169

User Response

Information only; no action is required.

- **816f020d-040fffff : Failure no longer Predicted on [StorageVolumeElementName] for array [ComputerSystemElementName].**

The predicted failure for Drive 8 no longer exists.

Severity

Info

Serviceable

No

Automatically notify support

No

Alert Category

System - Predicted Failure

SNMP Trap ID

27

CIM Information

Prefix: PLAT ID: 0169

User Response

Information only; no action is required.

- **816f020d-0410ffff : Failure no longer Predicted on [StorageVolumeElementName] for array [ComputerSystemElementName].**

The predicted failure for Drive 9 no longer exists.

Severity

Info

Serviceable

No

Automatically notify support

No

Alert Category

System - Predicted Failure

SNMP Trap ID

27

CIM Information

Prefix: PLAT ID: 0169

User Response

Information only; no action is required.

- **816f020d-0411ffff : Failure no longer Predicted on [StorageVolumeElementName] for array [ComputerSystemElementName].**

The predicted failure for Drive 10 no longer exists.

Severity

Info

Serviceable

No

Automatically notify support

No

Alert Category

System - Predicted Failure

SNMP Trap ID

27

CIM Information

Prefix: PLAT ID: 0169

User Response

Information only; no action is required.

- **816f020d-0412ffff : Failure no longer Predicted on [StorageVolumeElementName] for array [ComputerSystemElementName].**

The predicted failure for Drive 11 no longer exists.

Severity

Info

Serviceable

No

Automatically notify support

No

Alert Category

System - Predicted Failure

SNMP Trap ID

27

CIM Information

Prefix: PLAT ID: 0169

User Response

Information only; no action is required.

- **816f020d-0413ffff : Failure no longer Predicted on [StorageVolumeElementName] for array [ComputerSystemElementName].**

The predicted failure for Drive 12 no longer exists.

Severity

Info

Serviceable

No

Automatically notify support

No

Alert Category

System - Predicted Failure

SNMP Trap ID

27

CIM Information

Prefix: PLAT ID: 0169

User Response

Information only; no action is required.

- **816f020d-0414ffff : Failure no longer Predicted on [StorageVolumeElementName] for array [ComputerSystemElementName].**

The predicted failure for Drive 13 no longer exists.

Severity

Info

Serviceable

No

Automatically notify support

No

Alert Category

System - Predicted Failure

SNMP Trap ID

27

CIM Information

Prefix: PLAT ID: 0169

User Response

Information only; no action is required.

- **816f020d-0415ffff : Failure no longer Predicted on [StorageVolumeElementName] for array [ComputerSystemElementName].**

The predicted failure for Drive 14 no longer exists.

Severity

Info

Serviceable

No

Automatically notify support

No

Alert Category

System - Predicted Failure

SNMP Trap ID

27

CIM Information

Prefix: PLAT ID: 0169

User Response

Information only; no action is required.

- **816f020d-0416ffff : Failure no longer Predicted on [StorageVolumeElementName] for array [ComputerSystemElementName].**

The predicted failure for Drive 15 no longer exists.

Severity

Info

Serviceable

No

Automatically notify support

No

Alert Category

System - Predicted Failure

SNMP Trap ID

27

CIM Information**Prefix:** PLAT ID: 0169**User Response**

Information only; no action is required.

- **816f020d-0417ffff : Failure no longer Predicted on [StorageVolumeElementName] for array [ComputerSystemElementName].**

The predicted failure for Drive 16 no longer exists.

Severity

Info

Serviceable

No

Automatically notify support

No

Alert Category

System - Predicted Failure

SNMP Trap ID

27

CIM Information**Prefix:** PLAT ID: 0169**User Response**

Information only; no action is required.

- **816f030c-2001ffff : Scrub Failure for [PhysicalMemoryElementName] on Subsystem [MemoryElementName] has recovered.**

A Memory Scrub failure detected during boot has recovered.

Severity

Info

Serviceable

No

Automatically notify support

No

Alert Category

Critical - Memory

SNMP Trap ID

41

CIM Information**Prefix:** PLAT ID: 0137**User Response**

Information only; no action is required.

- **816f030c-2002ffff : Scrub Failure for [PhysicalMemoryElementName] on Subsystem [MemoryElementName] has recovered.**

A Memory Scrub failure detected during boot has recovered.

Severity

Info

Serviceable

No

Automatically notify support

No

Alert Category

Critical - Memory

SNMP Trap ID

41

CIM Information

Prefix: PLAT ID: 0137

User Response

Information only; no action is required.

- **816f030c-2003ffff : Scrub Failure for [PhysicalMemoryElementName] on Subsystem [MemoryElementName] has recovered.**

A Memory Scrub failure detected during boot has recovered.

Severity

Info

Serviceable

No

Automatically notify support

No

Alert Category

Critical - Memory

SNMP Trap ID

41

CIM Information

Prefix: PLAT ID: 0137

User Response

Information only; no action is required.

- **816f030c-2004ffff : Scrub Failure for [PhysicalMemoryElementName] on Subsystem [MemoryElementName] has recovered.**

A Memory Scrub failure detected during boot has recovered.

Severity

Info

Serviceable

No

Automatically notify support

No

Alert Category

Critical - Memory

SNMP Trap ID

41

CIM Information

Prefix: PLAT ID: 0137

User Response

Information only; no action is required.

- **816f030c-2005ffff : Scrub Failure for [PhysicalMemoryElementName] on Subsystem [MemoryElementName] has recovered.**

A Memory Scrub failure detected during boot has recovered.

Severity

Info

Serviceable

No

Automatically notify support

No

Alert Category

Critical - Memory

SNMP Trap ID

41

CIM Information

Prefix: PLAT ID: 0137

User Response

Information only; no action is required.

- **816f030c-2006ffff : Scrub Failure for [PhysicalMemoryElementName] on Subsystem [MemoryElementName] has recovered.**

A Memory Scrub failure detected during boot has recovered.

Severity

Info

Serviceable

No

Automatically notify support

No

Alert Category

Critical - Memory

SNMP Trap ID

41

CIM Information**Prefix: PLAT ID: 0137****User Response**

Information only; no action is required.

- **816f030c-2007ffff : Scrub Failure for [PhysicalMemoryElementName] on Subsystem [MemoryElementName] has recovered.**

A Memory Scrub failure detected during boot has recovered.

Severity

Info

Serviceable

No

Automatically notify support

No

Alert Category

Critical - Memory

SNMP Trap ID

41

CIM Information**Prefix: PLAT ID: 0137****User Response**

Information only; no action is required.

- **816f030c-2008ffff : Scrub Failure for [PhysicalMemoryElementName] on Subsystem [MemoryElementName] has recovered.**

A Memory Scrub failure detected during boot has recovered.

Severity

Info

Serviceable

No

Automatically notify support

No

Alert Category

Critical - Memory

SNMP Trap ID

41

CIM Information**Prefix: PLAT ID: 0137****User Response**

Information only; no action is required.

- **816f030c-2009ffff : Scrub Failure for [PhysicalMemoryElementName] on Subsystem [MemoryElementName] has recovered.**

A Memory Scrub failure detected during boot has recovered.

Severity

Info

Serviceable

No

Automatically notify support

No

Alert Category

Critical - Memory

SNMP Trap ID

41

CIM Information

Prefix: PLAT ID: 0137

User Response

Information only; no action is required.

- **816f030c-200affff : Scrub Failure for [PhysicalMemoryElementName] on Subsystem [MemoryElementName] has recovered.**

A Memory Scrub failure detected during boot has recovered.

Severity

Info

Serviceable

No

Automatically notify support

No

Alert Category

Critical - Memory

SNMP Trap ID

41

CIM Information

Prefix: PLAT ID: 0137

User Response

Information only; no action is required.

- **816f030c-200bffff : Scrub Failure for [PhysicalMemoryElementName] on Subsystem [MemoryElementName] has recovered.**

A Memory Scrub failure detected during boot has recovered.

Severity

Info

Serviceable

No

Automatically notify support

No

Alert Category

Critical - Memory

SNMP Trap ID

41

CIM Information

Prefix: PLAT ID: 0137

User Response

Information only; no action is required.

- **816f030c-200cffff : Scrub Failure for [PhysicalMemoryElementName] on Subsystem [MemoryElementName] has recovered.**

A Memory Scrub failure detected during boot has recovered.

Severity

Info

Serviceable

No

Automatically notify support

No

Alert Category

Critical - Memory

SNMP Trap ID

41

CIM Information

Prefix: PLAT ID: 0137

User Response

Information only; no action is required.

- **816f030c-200dffff : Scrub Failure for [PhysicalMemoryElementName] on Subsystem [MemoryElementName] has recovered.**

A Memory Scrub failure detected during boot has recovered.

Severity

Info

Serviceable

No

Automatically notify support

No

Alert Category

Critical - Memory

SNMP Trap ID

41

CIM Information**Prefix: PLAT ID: 0137****User Response**

Information only; no action is required.

- **816f030c-200effff : Scrub Failure for [PhysicalMemoryElementName] on Subsystem [MemoryElementName] has recovered.**

A Memory Scrub failure detected during boot has recovered.

Severity

Info

Serviceable

No

Automatically notify support

No

Alert Category

Critical - Memory

SNMP Trap ID

41

CIM Information**Prefix: PLAT ID: 0137****User Response**

Information only; no action is required.

- **816f030c-200fffff : Scrub Failure for [PhysicalMemoryElementName] on Subsystem [MemoryElementName] has recovered.**

A Memory Scrub failure detected during boot has recovered.

Severity

Info

Serviceable

No

Automatically notify support

No

Alert Category

Critical - Memory

SNMP Trap ID

41

CIM Information**Prefix: PLAT ID: 0137****User Response**

Information only; no action is required.

- **816f030c-2010ffff : Scrub Failure for [PhysicalMemoryElementName] on Subsystem [MemoryElementName] has recovered.**

A Memory Scrub failure detected during boot has recovered.

Severity

Info

Serviceable

No

Automatically notify support

No

Alert Category

Critical - Memory

SNMP Trap ID

41

CIM Information

Prefix: PLAT ID: 0137

User Response

Information only; no action is required.

- **816f030c-2011ffff : Scrub Failure for [PhysicalMemoryElementName] on Subsystem [MemoryElementName] has recovered.**

A Memory Scrub failure detected during boot has recovered.

Severity

Info

Serviceable

No

Automatically notify support

No

Alert Category

Critical - Memory

SNMP Trap ID

41

CIM Information

Prefix: PLAT ID: 0137

User Response

Information only; no action is required.

- **816f030c-2012ffff : Scrub Failure for [PhysicalMemoryElementName] on Subsystem [MemoryElementName] has recovered.**

A Memory Scrub failure detected during boot has recovered.

Severity

Info

Serviceable

No

Automatically notify support

No

Alert Category

Critical - Memory

SNMP Trap ID

41

CIM Information

Prefix: PLAT ID: 0137

User Response

Information only; no action is required.

- **816f030c-2013ffff : Scrub Failure for [PhysicalMemoryElementName] on Subsystem [MemoryElementName] has recovered.**

A Memory Scrub failure detected during boot has recovered.

Severity

Info

Serviceable

No

Automatically notify support

No

Alert Category

Critical - Memory

SNMP Trap ID

41

CIM Information

Prefix: PLAT ID: 0137

User Response

Information only; no action is required.

- **816f030c-2014ffff : Scrub Failure for [PhysicalMemoryElementName] on Subsystem [MemoryElementName] has recovered.**

A Memory Scrub failure detected during boot has recovered.

Severity

Info

Serviceable

No

Automatically notify support

No

Alert Category

Critical - Memory

SNMP Trap ID

41

CIM Information**Prefix: PLAT ID: 0137****User Response**

Information only; no action is required.

- **816f030c-2015ffff : Scrub Failure for [PhysicalMemoryElementName] on Subsystem [MemoryElementName] has recovered.**

A Memory Scrub failure detected during boot has recovered.

Severity

Info

Serviceable

No

Automatically notify support

No

Alert Category

Critical - Memory

SNMP Trap ID

41

CIM Information**Prefix: PLAT ID: 0137****User Response**

Information only; no action is required.

- **816f030c-2016ffff : Scrub Failure for [PhysicalMemoryElementName] on Subsystem [MemoryElementName] has recovered.**

A Memory Scrub failure detected during boot has recovered.

Severity

Info

Serviceable

No

Automatically notify support

No

Alert Category

Critical - Memory

SNMP Trap ID

41

CIM Information**Prefix: PLAT ID: 0137****User Response**

Information only; no action is required.

- **816f030c-2017ffff : Scrub Failure for [PhysicalMemoryElementName] on Subsystem [MemoryElementName] has recovered.**

A Memory Scrub failure detected during boot has recovered.

Severity

Info

Serviceable

No

Automatically notify support

No

Alert Category

Critical - Memory

SNMP Trap ID

41

CIM Information

Prefix: PLAT ID: 0137

User Response

Information only; no action is required.

- **816f030c-2018ffff : Scrub Failure for [PhysicalMemoryElementName] on Subsystem [MemoryElementName] has recovered.**

A Memory Scrub failure detected during boot has recovered.

Severity

Info

Serviceable

No

Automatically notify support

No

Alert Category

Critical - Memory

SNMP Trap ID

41

CIM Information

Prefix: PLAT ID: 0137

User Response

Information only; no action is required.

- **816f030c-2019ffff : Scrub Failure for [PhysicalMemoryElementName] on Subsystem [MemoryElementName] has recovered.**

A Memory Scrub failure detected during boot has recovered.

Severity

Info

Serviceable

No

Automatically notify support

No

Alert Category

Critical - Memory

SNMP Trap ID

41

CIM Information

Prefix: PLAT ID: 0137

User Response

Information only; no action is required.

- **816f030c-201affff : Scrub Failure for [PhysicalMemoryElementName] on Subsystem [MemoryElementName] has recovered.**

A Memory Scrub failure detected during boot has recovered.

Severity

Info

Serviceable

No

Automatically notify support

No

Alert Category

Critical - Memory

SNMP Trap ID

41

CIM Information

Prefix: PLAT ID: 0137

User Response

Information only; no action is required.

- **816f030c-201bffff : Scrub Failure for [PhysicalMemoryElementName] on Subsystem [MemoryElementName] has recovered.**

A Memory Scrub failure detected during boot has recovered.

Severity

Info

Serviceable

No

Automatically notify support

No

Alert Category

Critical - Memory

SNMP Trap ID

41

CIM Information**Prefix: PLAT ID: 0137****User Response**

Information only; no action is required.

- **816f030c-201cffff : Scrub Failure for [PhysicalMemoryElementName] on Subsystem [MemoryElementName] has recovered.**

A Memory Scrub failure detected during boot has recovered.

Severity

Info

Serviceable

No

Automatically notify support

No

Alert Category

Critical - Memory

SNMP Trap ID

41

CIM Information**Prefix: PLAT ID: 0137****User Response**

Information only; no action is required.

- **816f030c-201dffff : Scrub Failure for [PhysicalMemoryElementName] on Subsystem [MemoryElementName] has recovered.**

A Memory Scrub failure detected during boot has recovered.

Severity

Info

Serviceable

No

Automatically notify support

No

Alert Category

Critical - Memory

SNMP Trap ID

41

CIM Information**Prefix: PLAT ID: 0137****User Response**

Information only; no action is required.

- **816f030c-201effff : Scrub Failure for [PhysicalMemoryElementName] on Subsystem [MemoryElementName] has recovered.**

A Memory Scrub failure detected during boot has recovered.

Severity

Info

Serviceable

No

Automatically notify support

No

Alert Category

Critical - Memory

SNMP Trap ID

41

CIM Information

Prefix: PLAT ID: 0137

User Response

Information only; no action is required.

- **816f030c-201fffff : Scrub Failure for [PhysicalMemoryElementName] on Subsystem [MemoryElementName] has recovered.**

A Memory Scrub failure detected during boot has recovered.

Severity

Info

Serviceable

No

Automatically notify support

No

Alert Category

Critical - Memory

SNMP Trap ID

41

CIM Information

Prefix: PLAT ID: 0137

User Response

Information only; no action is required.

- **816f030c-2020ffff : Scrub Failure for [PhysicalMemoryElementName] on Subsystem [MemoryElementName] has recovered.**

A Memory Scrub failure detected during boot has recovered.

Severity

Info

Serviceable

No

Automatically notify support

No

Alert Category

Critical - Memory

SNMP Trap ID

41

CIM Information

Prefix: PLAT ID: 0137

User Response

Information only; no action is required.

- **816f030c-2021ffff : Scrub Failure for [PhysicalMemoryElementName] on Subsystem [MemoryElementName] has recovered.**

A Memory Scrub failure detected during boot has recovered.

Severity

Info

Serviceable

No

Automatically notify support

No

Alert Category

Critical - Memory

SNMP Trap ID

41

CIM Information

Prefix: PLAT ID: 0137

User Response

Information only; no action is required.

- **816f030c-2022ffff : Scrub Failure for [PhysicalMemoryElementName] on Subsystem [MemoryElementName] has recovered.**

A Memory Scrub failure detected during boot has recovered.

Severity

Info

Serviceable

No

Automatically notify support

No

Alert Category

Critical - Memory

SNMP Trap ID

41

CIM Information**Prefix: PLAT ID: 0137****User Response**

Information only; no action is required.

- **816f030c-2023ffff : Scrub Failure for [PhysicalMemoryElementName] on Subsystem [MemoryElementName] has recovered.**

A Memory Scrub failure detected during boot has recovered.

Severity

Info

Serviceable

No

Automatically notify support

No

Alert Category

Critical - Memory

SNMP Trap ID

41

CIM Information**Prefix: PLAT ID: 0137****User Response**

Information only; no action is required.

- **816f030c-2024ffff : Scrub Failure for [PhysicalMemoryElementName] on Subsystem [MemoryElementName] has recovered.**

A Memory Scrub failure detected during boot has recovered.

Severity

Info

Serviceable

No

Automatically notify support

No

Alert Category

Critical - Memory

SNMP Trap ID

41

CIM Information**Prefix: PLAT ID: 0137****User Response**

Information only; no action is required.

- **816f030c-2025ffff : Scrub Failure for [PhysicalMemoryElementName] on Subsystem [MemoryElementName] has recovered.**

A Memory Scrub failure detected during boot has recovered.

Severity

Info

Serviceable

No

Automatically notify support

No

Alert Category

Critical - Memory

SNMP Trap ID

41

CIM Information

Prefix: PLAT ID: 0137

User Response

Information only; no action is required.

- **816f030c-2026ffff : Scrub Failure for [PhysicalMemoryElementName] on Subsystem [MemoryElementName] has recovered.**

A Memory Scrub failure detected during boot has recovered.

Severity

Info

Serviceable

No

Automatically notify support

No

Alert Category

Critical - Memory

SNMP Trap ID

41

CIM Information

Prefix: PLAT ID: 0137

User Response

Information only; no action is required.

- **816f030c-2027ffff : Scrub Failure for [PhysicalMemoryElementName] on Subsystem [MemoryElementName] has recovered.**

A Memory Scrub failure detected during boot has recovered.

Severity

Info

Serviceable

No

Automatically notify support

No

Alert Category

Critical - Memory

SNMP Trap ID

41

CIM Information

Prefix: PLAT ID: 0137

User Response

Information only; no action is required.

- **816f030c-2028ffff : Scrub Failure for [PhysicalMemoryElementName] on Subsystem [MemoryElementName] has recovered.**

A Memory Scrub failure detected during boot has recovered.

Severity

Info

Serviceable

No

Automatically notify support

No

Alert Category

Critical - Memory

SNMP Trap ID

41

CIM Information

Prefix: PLAT ID: 0137

User Response

Information only; no action is required.

- **816f030c-2029ffff : Scrub Failure for [PhysicalMemoryElementName] on Subsystem [MemoryElementName] has recovered.**

A Memory Scrub failure detected during boot has recovered.

Severity

Info

Serviceable

No

Automatically notify support

No

Alert Category

Critical - Memory

SNMP Trap ID

41

CIM Information**Prefix:** PLAT ID: 0137**User Response**

Information only; no action is required.

- **816f030c-202affff : Scrub Failure for [PhysicalMemoryElementName] on Subsystem [MemoryElementName] has recovered.**

A Memory Scrub failure detected during boot has recovered.

Severity

Info

Serviceable

No

Automatically notify support

No

Alert Category

Critical - Memory

SNMP Trap ID

41

CIM Information**Prefix:** PLAT ID: 0137**User Response**

Information only; no action is required.

- **816f030c-202bffff : Scrub Failure for [PhysicalMemoryElementName] on Subsystem [MemoryElementName] has recovered.**

A Memory Scrub failure detected during boot has recovered.

Severity

Info

Serviceable

No

Automatically notify support

No

Alert Category

Critical - Memory

SNMP Trap ID

41

CIM Information**Prefix:** PLAT ID: 0137**User Response**

Information only; no action is required.

- **816f030c-202cffff : Scrub Failure for [PhysicalMemoryElementName] on Subsystem [MemoryElementName] has recovered.**

A Memory Scrub failure detected during boot has recovered.

Severity

Info

Serviceable

No

Automatically notify support

No

Alert Category

Critical - Memory

SNMP Trap ID

41

CIM Information

Prefix: PLAT ID: 0137

User Response

Information only; no action is required.

- **816f030c-202dffff : Scrub Failure for [PhysicalMemoryElementName] on Subsystem [MemoryElementName] has recovered.**

A Memory Scrub failure detected during boot has recovered.

Severity

Info

Serviceable

No

Automatically notify support

No

Alert Category

Critical - Memory

SNMP Trap ID

41

CIM Information

Prefix: PLAT ID: 0137

User Response

Information only; no action is required.

- **816f030c-202effff : Scrub Failure for [PhysicalMemoryElementName] on Subsystem [MemoryElementName] has recovered.**

A Memory Scrub failure detected during boot has recovered.

Severity

Info

Serviceable

No

Automatically notify support

No

Alert Category

Critical - Memory

SNMP Trap ID

41

CIM Information

Prefix: PLAT ID: 0137

User Response

Information only; no action is required.

- **816f030c-202ffff : Scrub Failure for [PhysicalMemoryElementName] on Subsystem [MemoryElementName] has recovered.**

A Memory Scrub failure detected during boot has recovered.

Severity

Info

Serviceable

No

Automatically notify support

No

Alert Category

Critical - Memory

SNMP Trap ID

41

CIM Information

Prefix: PLAT ID: 0137

User Response

Information only; no action is required.

- **816f030c-2030ffff : Scrub Failure for [PhysicalMemoryElementName] on Subsystem [MemoryElementName] has recovered.**

A Memory Scrub failure detected during boot has recovered.

Severity

Info

Serviceable

No

Automatically notify support

No

Alert Category

Critical - Memory

SNMP Trap ID

41

CIM Information**Prefix: PLAT ID: 0137****User Response**

Information only; no action is required.

- **816f030c-2581ffff : Scrub Failure for [PhysicalMemoryElementName] on Subsystem [MemoryElementName] has recovered.**

A Memory Scrub failure detected during boot has recovered on All DIMMs or One of the DIMMs.

Severity

Info

Serviceable

No

Automatically notify support

No

Alert Category

Critical - Memory

SNMP Trap ID

41

CIM Information**Prefix: PLAT ID: 0137****User Response**

Information only; no action is required.

- **816f030d-0400ffff : Hot spare disabled for [ComputerSystemElementName].**

A hot spare is not available.

Severity

Info

Serviceable

No

Automatically notify support

No

Alert Category

System - Other

SNMP Trap ID**CIM Information****Prefix: PLAT ID: 0171****User Response**

Information only; no action required.

- **816f030d-0401ffff : Hot spare disabled for [ComputerSystemElementName].**

A hot spare is not available.

Severity

Info

Serviceable

No

Automatically notify support

No

Alert Category

System - Other

SNMP Trap ID

CIM Information

Prefix: PLAT ID: 0171

User Response

Information only; no action required.

- **816f030d-0402ffff : Hot spare disabled for [ComputerSystemElementName].**

A hot spare is not available.

Severity

Info

Serviceable

No

Automatically notify support

No

Alert Category

System - Other

SNMP Trap ID

11/24/2014

CIM Information

Prefix: PLAT ID: 0171

User Response

Information only; no action required.

- **816f030d-0403ffff : Hot spare disabled for [ComputerSystemElementName].**

A hot spare is not available.

Severity

Info

Serviceable

No

Automatically notify support

No

Alert Category

System - Other

SNMP Trap ID

CIM Information

Prefix: PLAT ID: 0171

User Response

Information only; no action required.

- **816f030d-0404ffff : Hot spare disabled for [ComputerSystemElementName].**

A hot spare is not available.

Severity

Info

Serviceable

No

Automatically notify support

No

Alert Category

System - Other

SNMP Trap ID

CIM Information

Prefix: PLAT ID: 0171

User Response

Information only; no action required.

- **816f030d-0405ffff : Hot spare disabled for [ComputerSystemElementName].**

A hot spare is not available.

Severity

Info

Serviceable

No

Automatically notify support

No

Alert Category

System - Other

SNMP Trap ID

CIM Information

Prefix: PLAT ID: 0171

User Response

Information only; no action required.

- **816f030d-0406ffff : Hot spare disabled for [ComputerSystemElementName].**

A hot spare is not available.

Severity

Info

Serviceable

No

Automatically notify support

No

Alert Category

System - Other

SNMP Trap ID**CIM Information**

Prefix: PLAT ID: 0171

User Response

Information only; no action required.

- **816f030d-0407ffff : Hot spare disabled for [ComputerSystemElementName].**

A hot spare is not available.

Severity

Info

Serviceable

No

Automatically notify support

No

Alert Category

System - Other

SNMP Trap ID**CIM Information**

Prefix: PLAT ID: 0171

User Response

Information only; no action required.

- **816f0313-1701ffff : System [ComputerSystemElementName] has recovered from an NMI.**

A software NMI has recovered.

Severity

Info

Serviceable

No

Automatically notify support

No

Alert Category

Critical - Other

SNMP Trap ID

50

CIM Information

Prefix: PLAT ID: 0230

User Response

Information only; no action is required.

- **816f040c-2001ffff : [PhysicalMemoryElementName] Enabled on Subsystem [MemoryElementName].**

Memory has been enabled.

Severity

Info

Serviceable

No

Automatically notify support

No

Alert Category

System - Other

SNMP Trap ID**CIM Information**

Prefix: PLAT ID: 0130

User Response

Information only; no action is required.

Related links

- "Finding the UEFI diagnostic code" on page 824

- **816f040c-2002ffff : [PhysicalMemoryElementName] Enabled on Subsystem [MemoryElementName].**

Memory has been enabled.

Severity

Info

Serviceable

No

Automatically notify support

No

Alert Category

System - Other

SNMP Trap ID**CIM Information**

Prefix: PLAT ID: 0130

User Response

Information only; no action is required.

Related links

- "Finding the UEFI diagnostic code" on page 824

- **816f040c-2003ffff : [PhysicalMemoryElementName] Enabled on Subsystem [MemoryElementName].**

Memory has been enabled.

Severity

Info

Serviceable

No

Automatically notify support

No

Alert Category

System - Other

SNMP Trap ID**CIM Information**

Prefix: PLAT ID: 0130

User Response

Information only; no action is required.

Related links

- "Finding the UEFI diagnostic code" on page 824

- **816f040c-2004ffff : [PhysicalMemoryElementName] Enabled on Subsystem [MemoryElementName].**

Memory has been enabled.

Severity

Info

Serviceable

No

Automatically notify support

No

Alert Category

System - Other

SNMP Trap ID

CIM Information

Prefix: PLAT ID: 0130

User Response

Information only; no action is required.

Related links

- "Finding the UEFI diagnostic code" on page 824

- **816f040c-2005ffff : [PhysicalMemoryElementName] Enabled on Subsystem [MemoryElementName].**

Memory has been enabled.

Severity

Info

Serviceable

No

Automatically notify support

No

Alert Category

System - Other

SNMP Trap ID

CIM Information

Prefix: PLAT ID: 0130

User Response

Information only; no action is required.

Related links

- "Finding the UEFI diagnostic code" on page 824

- **816f040c-2006ffff : [PhysicalMemoryElementName] Enabled on Subsystem [MemoryElementName].**

Memory has been enabled.

Severity

Info

Serviceable

No

Automatically notify support

No

Alert Category

System - Other

SNMP Trap ID

CIM Information

Prefix: PLAT ID: 0130

User Response

Information only; no action is required.

Related links

- "Finding the UEFI diagnostic code" on page 824

- **816f040c-2007ffff : [PhysicalMemoryElementName] Enabled on Subsystem [MemoryElementName].**

Memory has been enabled.

Severity

Info

Serviceable

No

Automatically notify support

No

Alert Category

System - Other

SNMP Trap ID

CIM Information

Prefix: PLAT ID: 0130

User Response

Information only; no action is required.

Related links

- "Finding the UEFI diagnostic code" on page 824

- **816f040c-2008ffff : [PhysicalMemoryElementName] Enabled on Subsystem [MemoryElementName].**

Memory has been enabled.

Severity

Info

Serviceable

No

Automatically notify support

No

Alert Category

System - Other

SNMP Trap ID

CIM Information

Prefix: PLAT ID: 0130

User Response

Information only; no action is required.

Related links

- "Finding the UEFI diagnostic code" on page 824

- **816f040c-2009ffff : [PhysicalMemoryElementName] Enabled on Subsystem [MemoryElementName].**

Memory has been enabled.

Severity

Info

Serviceable

No

Automatically notify support

No

Alert Category

System - Other

SNMP Trap ID**CIM Information**

Prefix: PLAT ID: 0130

User Response

Information only; no action is required.

Related links

- "Finding the UEFI diagnostic code" on page 824

- **816f040c-200affff : [PhysicalMemoryElementName] Enabled on Subsystem [MemoryElementName].**

Memory has been enabled.

Severity

Info

Serviceable

No

Automatically notify support

No

Alert Category

System - Other

SNMP Trap ID

CIM Information

Prefix: PLAT ID: 0130

User Response

Information only; no action is required.

Related links

- "Finding the UEFI diagnostic code" on page 824

- **816f040c-200bffff : [PhysicalMemoryElementName] Enabled on Subsystem [MemoryElementName].**

Memory has been enabled.

Severity

Info

Serviceable

No

Automatically notify support

No

Alert Category

System - Other

SNMP Trap ID**CIM Information**

Prefix: PLAT ID: 0130

User Response

Information only; no action is required.

Related links

- "Finding the UEFI diagnostic code" on page 824

- **816f040c-200cffff : [PhysicalMemoryElementName] Enabled on Subsystem [MemoryElementName].**

Memory has been enabled.

Severity

Info

Serviceable

No

Automatically notify support

No

Alert Category

System - Other

SNMP Trap ID**CIM Information**

Prefix: PLAT ID: 0130

User Response

Information only; no action is required.

Related links

- "Finding the UEFI diagnostic code" on page 824

- **816f040c-200dffff : [PhysicalMemoryElementName] Enabled on Subsystem [MemoryElementName].**

Memory has been enabled.

Severity

Info

Serviceable

No

Automatically notify support

No

Alert Category

System - Other

SNMP Trap ID

CIM Information

Prefix: PLAT ID: 0130

User Response

Information only; no action is required.

Related links

- "Finding the UEFI diagnostic code" on page 824

- **816f040c-200effff : [PhysicalMemoryElementName] Enabled on Subsystem [MemoryElementName].**

Memory has been enabled.

Severity

Info

Serviceable

No

Automatically notify support

No

Alert Category

System - Other

SNMP Trap ID

CIM Information

Prefix: PLAT ID: 0130

User Response

Information only; no action is required.

Related links

- "Finding the UEFI diagnostic code" on page 824

- **816f040c-200ffff : [PhysicalMemoryElementName] Enabled on Subsystem [MemoryElementName].**

Memory has been enabled.

Severity

Info

Serviceable

No

Automatically notify support

No

Alert Category

System - Other

SNMP Trap ID**CIM Information**

Prefix: PLAT ID: 0130

User Response

Information only; no action is required.

Related links

- "Finding the UEFI diagnostic code" on page 824

- **816f040c-2010ffff : [PhysicalMemoryElementName] Enabled on Subsystem [MemoryElementName].**

Memory has been enabled.

Severity

Info

Serviceable

No

Automatically notify support

No

Alert Category

System - Other

SNMP Trap ID**CIM Information**

Prefix: PLAT ID: 0130

User Response

Information only; no action is required.

Related links

- "Finding the UEFI diagnostic code" on page 824

- **816f040c-2011ffff : [PhysicalMemoryElementName] Enabled on Subsystem [MemoryElementName].**

Memory has been enabled.

Severity

Info

Serviceable

No

Automatically notify support

No

Alert Category

System - Other

SNMP Trap ID

CIM Information

Prefix: PLAT ID: 0130

User Response

Information only; no action is required.

Related links

- "Finding the UEFI diagnostic code" on page 824

- **816f040c-2012ffff : [PhysicalMemoryElementName] Enabled on Subsystem [MemoryElementName].**

Memory has been enabled.

Severity

Info

Serviceable

No

Automatically notify support

No

Alert Category

System - Other

SNMP Trap ID

CIM Information

Prefix: PLAT ID: 0130

User Response

Information only; no action is required.

Related links

- "Finding the UEFI diagnostic code" on page 824

- **816f040c-2013ffff : [PhysicalMemoryElementName] Enabled on Subsystem [MemoryElementName].**

Memory has been enabled.

Severity

Info

Serviceable

No

Automatically notify support

No

Alert Category

System - Other

SNMP Trap ID

CIM Information

Prefix: PLAT ID: 0130

User Response

Information only; no action is required.

Related links

- "Finding the UEFI diagnostic code" on page 824

- **816f040c-2014ffff : [PhysicalMemoryElementName] Enabled on Subsystem [MemoryElementName].**

Memory has been enabled.

Severity

Info

Serviceable

No

Automatically notify support

No

Alert Category

System - Other

SNMP Trap ID

CIM Information

Prefix: PLAT ID: 0130

User Response

Information only; no action is required.

Related links

– “Finding the UEFI diagnostic code” on page 824

- **816f040c-2015ffff : [PhysicalMemoryElementName] Enabled on Subsystem [MemoryElementName].**

Memory has been enabled.

Severity

Info

Serviceable

No

Automatically notify support

No

Alert Category

System - Other

SNMP Trap ID

CIM Information

Prefix: PLAT ID: 0130

User Response

Information only; no action is required.

Related links

– “Finding the UEFI diagnostic code” on page 824

- **816f040c-2016ffff : [PhysicalMemoryElementName] Enabled on Subsystem [MemoryElementName].**

Memory has been enabled.

Severity

Info

Serviceable

No

Automatically notify support

No

Alert Category

System - Other

SNMP Trap ID

CIM Information

Prefix: PLAT ID: 0130

User Response

Information only; no action is required.

Related links

– “Finding the UEFI diagnostic code” on page 824

- **816f040c-2017ffff : [PhysicalMemoryElementName] Enabled on Subsystem [MemoryElementName].**

Memory has been enabled.

Severity

Info

Serviceable

No

Automatically notify support

No

Alert Category

System - Other

SNMP Trap ID

CIM Information

Prefix: PLAT ID: 0130

User Response

Information only; no action is required.

Related links

- "Finding the UEFI diagnostic code" on page 824

- **816f040c-2018ffff : [PhysicalMemoryElementName] Enabled on Subsystem [MemoryElementName].**

Memory has been enabled.

Severity

Info

Serviceable

No

Automatically notify support

No

Alert Category

System - Other

SNMP Trap ID

CIM Information

Prefix: PLAT ID: 0130

User Response

Information only; no action is required.

Related links

- "Finding the UEFI diagnostic code" on page 824

- **816f040c-2581ffff : [PhysicalMemoryElementName] Enabled on Subsystem [MemoryElementName].**

Memory has been enabled.

Severity

Info

Serviceable

No

Automatically notify support

No

Alert Category

System - Other

SNMP Trap ID

CIM Information

Prefix: PLAT ID: 0130

User Response

Information only; no action is required.

Related links

- "Finding the UEFI diagnostic code" on page 824

- **816f0413-2582ffff : A PCI PERR recovery has occurred on system [ComputerSystemElementName].**

A PCI Parity Error (PERR) has recovered for All PCI Error, One of PCI Error.

Severity

Info

Serviceable

No

Automatically notify support

No

Alert Category

Critical - Other

SNMP Trap ID

50

CIM Information

Prefix: PLAT ID: 0233

User Response

Information only; no action is required.

Related links

- "Finding the UEFI diagnostic code" on page 824

- **816f0507-0301ffff : [ProcessorElementName] has Recovered from a Configuration Mismatch.**

A Processor Configuration Mismatch has recovered.

Severity

Info

Serviceable

No

Automatically notify support

No

Alert Category

Critical - CPU

SNMP Trap ID

40

CIM Information

Prefix: PLAT ID: 0063

User Response

Information only; no action is required.

Related links

- "Finding the UEFI diagnostic code" on page 824

- **816f0507-0302ffff : [ProcessorElementName] has Recovered from a Configuration Mismatch.**

A Processor Configuration Mismatch has recovered.

Severity

Info

Serviceable

No

Automatically notify support

No

Alert Category

Critical - CPU

SNMP Trap ID

40

CIM Information

Prefix: PLAT ID: 0063

User Response

Information only; no action is required.

Related links

- "Finding the UEFI diagnostic code" on page 824

- **816f0507-2584ffff : [ProcessorElementName] has Recovered from a Configuration Mismatch.**

A Processor Configuration Mismatch has recovered.

Severity

Info

Serviceable

No

Automatically notify support

No

Alert Category

Critical - CPU

SNMP Trap ID

40

CIM Information

Prefix: PLAT ID: 0063

User Response

Information only; no action is required.

Related links

- "Finding the UEFI diagnostic code" on page 824

- **816f050c-2001ffff : Memory Logging Limit Removed for [PhysicalMemoryElementName] on Subsystem [MemoryElementName].**

The memory logging limit has been removed.

Severity

Info

Serviceable

No

Automatically notify support

No

Alert Category

Warning - Memory

SNMP Trap ID

43

CIM Information

Prefix: PLAT ID: 0145

User Response

Information only; no action is required.

Related links

- "Finding the UEFI diagnostic code" on page 824

- **816f050c-2002ffff : Memory Logging Limit Removed for [PhysicalMemoryElementName] on Subsystem [MemoryElementName].**

The memory logging limit has been removed.

Severity

Info

Serviceable

No

Automatically notify support

No

Alert Category

Warning - Memory

SNMP Trap ID

43

CIM Information

Prefix: PLAT ID: 0145

User Response

Information only; no action is required.

Related links

- "Finding the UEFI diagnostic code" on page 824

- **816f050c-2003ffff : Memory Logging Limit Removed for [PhysicalMemoryElementName] on Subsystem [MemoryElementName].**

The memory logging limit has been removed.

Severity

Info

Serviceable

No

Automatically notify support

No

Alert Category

Warning - Memory

SNMP Trap ID

43

CIM Information

Prefix: PLAT ID: 0145

User Response

Information only; no action is required.

Related links

- "Finding the UEFI diagnostic code" on page 824

- **816f050c-2004ffff : Memory Logging Limit Removed for [PhysicalMemoryElementName] on Subsystem [MemoryElementName].**

The memory logging limit has been removed.

Severity

Info

Serviceable

No

Automatically notify support

No

Alert Category

Warning - Memory

SNMP Trap ID

43

CIM Information

Prefix: PLAT ID: 0145

User Response

Information only; no action is required.

Related links

- "Finding the UEFI diagnostic code" on page 824

- **816f050c-2005ffff : Memory Logging Limit Removed for [PhysicalMemoryElementName] on Subsystem [MemoryElementName].**

The memory logging limit has been removed.

Severity

Info

Serviceable

No

Automatically notify support

No

Alert Category

Warning - Memory

SNMP Trap ID

43

CIM Information

Prefix: PLAT ID: 0145

User Response

Information only; no action is required.

Related links

- "Finding the UEFI diagnostic code" on page 824

- **816f050c-2006ffff : Memory Logging Limit Removed for [PhysicalMemoryElementName] on Subsystem [MemoryElementName].**

The memory logging limit has been removed.

Severity

Info

Serviceable

No

Automatically notify support

No

Alert Category

Warning - Memory

SNMP Trap ID

43

CIM Information

Prefix: PLAT ID: 0145

User Response

Information only; no action is required.

Related links

- "Finding the UEFI diagnostic code" on page 824

- **816f050c-2007ffff : Memory Logging Limit Removed for [PhysicalMemoryElementName] on Subsystem [MemoryElementName].**

The memory logging limit has been removed.

Severity

Info

Serviceable

No

Automatically notify support

No

Alert Category

Warning - Memory

SNMP Trap ID

43

CIM Information

Prefix: PLAT ID: 0145

User Response

Information only; no action is required.

Related links

- "Finding the UEFI diagnostic code" on page 824

- **816f050c-2008ffff : Memory Logging Limit Removed for [PhysicalMemoryElementName] on Subsystem [MemoryElementName].**

The memory logging limit has been removed.

Severity

Info

Serviceable

No

Automatically notify support

No

Alert Category

Warning - Memory

SNMP Trap ID

43

CIM Information

Prefix: PLAT ID: 0145

User Response

Information only; no action is required.

Related links

- "Finding the UEFI diagnostic code" on page 824

- **816f050c-2009ffff : Memory Logging Limit Removed for [PhysicalMemoryElementName] on Subsystem [MemoryElementName].**

The memory logging limit has been removed.

Severity

Info

Serviceable

No

Automatically notify support

No

Alert Category

Warning - Memory

SNMP Trap ID

43

CIM Information

Prefix: PLAT ID: 0145

User Response

Information only; no action is required.

Related links

- "Finding the UEFI diagnostic code" on page 824

- **816f050c-200affff : Memory Logging Limit Removed for [PhysicalMemoryElementName] on Subsystem [MemoryElementName].**

The memory logging limit has been removed.

Severity

Info

Serviceable

No

Automatically notify support

No

Alert Category

Warning - Memory

SNMP Trap ID

43

CIM Information

Prefix: PLAT ID: 0145

User Response

Information only; no action is required.

Related links

- "Finding the UEFI diagnostic code" on page 824

- **816f050c-200bffff : Memory Logging Limit Removed for [PhysicalMemoryElementName] on Subsystem [MemoryElementName].**

The memory logging limit has been removed.

Severity

Info

Serviceable

No

Automatically notify support

No

Alert Category

Warning - Memory

SNMP Trap ID

43

CIM Information

Prefix: PLAT ID: 0145

User Response

Information only; no action is required.

Related links

- "Finding the UEFI diagnostic code" on page 824

- **816f050c-200cffff : Memory Logging Limit Removed for [PhysicalMemoryElementName] on Subsystem [MemoryElementName].**

The memory logging limit has been removed.

Severity

Info

Serviceable

No

Automatically notify support

No

Alert Category

Warning - Memory

SNMP Trap ID

43

CIM Information

Prefix: PLAT ID: 0145

User Response

Information only; no action is required.

Related links

- "Finding the UEFI diagnostic code" on page 824

- **816f050c-200dffff : Memory Logging Limit Removed for [PhysicalMemoryElementName] on Subsystem [MemoryElementName].**

The memory logging limit has been removed.

Severity

Info

Serviceable

No

Automatically notify support

No

Alert Category

Warning - Memory

SNMP Trap ID

43

CIM Information

Prefix: PLAT ID: 0145

User Response

Information only; no action is required.

Related links

- "Finding the UEFI diagnostic code" on page 824

- **816f050c-200effff : Memory Logging Limit Removed for [PhysicalMemoryElementName] on Subsystem [MemoryElementName].**

The memory logging limit has been removed.

Severity

Info

Serviceable

No

Automatically notify support

No

Alert Category

Warning - Memory

SNMP Trap ID

43

CIM Information

Prefix: PLAT ID: 0145

User Response

Information only; no action is required.

Related links

- "Finding the UEFI diagnostic code" on page 824

- **816f050c-200ffff : Memory Logging Limit Removed for [PhysicalMemoryElementName] on Subsystem [MemoryElementName].**

The memory logging limit has been removed.

Severity

Info

Serviceable

No

Automatically notify support

No

Alert Category

Warning - Memory

SNMP Trap ID

43

CIM Information

Prefix: PLAT ID: 0145

User Response

Information only; no action is required.

Related links

- "Finding the UEFI diagnostic code" on page 824

- **816f050c-2010ffff : Memory Logging Limit Removed for [PhysicalMemoryElementName] on Subsystem [MemoryElementName].**

The memory logging limit has been removed.

Severity

Info

Serviceable

No

Automatically notify support

No

Alert Category

Warning - Memory

SNMP Trap ID

43

CIM Information

Prefix: PLAT ID: 0145

User Response

Information only; no action is required.

Related links

- "Finding the UEFI diagnostic code" on page 824

- **816f050c-2011ffff : Memory Logging Limit Removed for [PhysicalMemoryElementName] on Subsystem [MemoryElementName].**

The memory logging limit has been removed.

Severity

Info

Serviceable

No

Automatically notify support

No

Alert Category

Warning - Memory

SNMP Trap ID

43

CIM Information

Prefix: PLAT ID: 0145

User Response

Information only; no action is required.

Related links

- "Finding the UEFI diagnostic code" on page 824

- **816f050c-2012ffff : Memory Logging Limit Removed for [PhysicalMemoryElementName] on Subsystem [MemoryElementName].**

The memory logging limit has been removed.

Severity

Info

Serviceable

No

Automatically notify support

No

Alert Category

Warning - Memory

SNMP Trap ID

43

CIM Information

Prefix: PLAT ID: 0145

User Response

Information only; no action is required.

Related links

- "Finding the UEFI diagnostic code" on page 824

- **816f050c-2013ffff : Memory Logging Limit Removed for [PhysicalMemoryElementName] on Subsystem [MemoryElementName].**

The memory logging limit has been removed.

Severity

Info

Serviceable

No

Automatically notify support

No

Alert Category

Warning - Memory

SNMP Trap ID

43

CIM Information

Prefix: PLAT ID: 0145

User Response

Information only; no action is required.

Related links

- "Finding the UEFI diagnostic code" on page 824

- **816f050c-2014ffff : Memory Logging Limit Removed for [PhysicalMemoryElementName] on Subsystem [MemoryElementName].**

The memory logging limit has been removed.

Severity

Info

Serviceable

No

Automatically notify support

No

Alert Category

Warning - Memory

SNMP Trap ID

43

CIM Information

Prefix: PLAT ID: 0145

User Response

Information only; no action is required.

Related links

- "Finding the UEFI diagnostic code" on page 824

- **816f050c-2015ffff : Memory Logging Limit Removed for [PhysicalMemoryElementName] on Subsystem [MemoryElementName].**

The memory logging limit has been removed.

Severity

Info

Serviceable

No

Automatically notify support

No

Alert Category

Warning - Memory

SNMP Trap ID

43

CIM Information

Prefix: PLAT ID: 0145

User Response

Information only; no action is required.

Related links

- "Finding the UEFI diagnostic code" on page 824

- **816f050c-2016ffff : Memory Logging Limit Removed for [PhysicalMemoryElementName] on Subsystem [MemoryElementName].**

The memory logging limit has been removed.

Severity

Info

Serviceable

No

Automatically notify support

No

Alert Category

Warning - Memory

SNMP Trap ID

43

CIM Information

Prefix: PLAT ID: 0145

User Response

Information only; no action is required.

Related links

- "Finding the UEFI diagnostic code" on page 824

- **816f050c-2017ffff : Memory Logging Limit Removed for [PhysicalMemoryElementName] on Subsystem [MemoryElementName].**

The memory logging limit has been removed.

Severity

Info

Serviceable

No

Automatically notify support

No

Alert Category

Warning - Memory

SNMP Trap ID

43

CIM Information

Prefix: PLAT **ID:** 0145

User Response

Information only; no action is required.

Related links

- "Finding the UEFI diagnostic code" on page 824

- **816f050c-2018ffff : Memory Logging Limit Removed for [PhysicalMemoryElementName] on Subsystem [MemoryElementName].**

The memory logging limit has been removed.

Severity

Info

Serviceable

No

Automatically notify support

No

Alert Category

Warning - Memory

SNMP Trap ID

43

CIM Information

Prefix: PLAT **ID:** 0145

User Response

Information only; no action is required.

Related links

- "Finding the UEFI diagnostic code" on page 824

- **816f050c-2581ffff : Memory Logging Limit Removed for [PhysicalMemoryElementName] on Subsystem [MemoryElementName].**

The memory logging limit has been removed.

Severity

Info

Serviceable

No

Automatically notify support

No

Alert Category

Warning - Memory

SNMP Trap ID

43

CIM Information

Prefix: PLAT ID: 0145

User Response

Information only; no action is required.

Related links

- "Finding the UEFI diagnostic code" on page 824

- **816f050d-0400ffff : Critical Array [ComputerSystemElementName] has deasserted.**

The RAID array is no longer in a critical condition.

Severity

Info

Serviceable

No

Automatically notify support

No

Alert Category

Critical - Hard Disk drive

SNMP Trap ID

5

CIM Information

Prefix: PLAT ID: 0175

User Response

Information only; no action is required.

- **816f050d-0401ffff : Critical Array [ComputerSystemElementName] has deasserted.**

The RAID array is no longer in a critical condition.

Severity

Info

Serviceable

No

Automatically notify support

No

Alert Category

Critical - Hard Disk drive

SNMP Trap ID

5

CIM Information

Prefix: PLAT ID: 0175

User Response

Information only; no action is required.

- **816f050d-0402ffff : Critical Array [ComputerSystemElementName] has deasserted.**

The RAID array is no longer in a critical condition.

Severity

Info

Serviceable

No

Automatically notify support

No

Alert Category

Critical - Hard Disk drive

SNMP Trap ID

5

CIM Information

Prefix: PLAT ID: 0175

User Response

Information only; no action is required.

- **816f050d-0403ffff : Critical Array [ComputerSystemElementName] has deasserted.**

The RAID array is no longer in a critical condition.

Severity

Info

Serviceable

No

Automatically notify support

No

Alert Category

Critical - Hard Disk drive

SNMP Trap ID

5

CIM Information

Prefix: PLAT ID: 0175

User Response

Information only; no action is required.

- **816f050d-0404ffff : Critical Array [ComputerSystemElementName] has deasserted.**

The RAID array is no longer in a critical condition.

Severity

Info

Serviceable

No

Automatically notify support

No

Alert Category

Critical - Hard Disk drive

SNMP Trap ID

5

CIM Information

Prefix: PLAT ID: 0175

User Response

Information only; no action is required.

- **816f050d-0405ffff : Critical Array [ComputerSystemElementName] has deasserted.**

The RAID array is no longer in a critical condition.

Severity

Info

Serviceable

No

Automatically notify support

No

Alert Category

Critical - Hard Disk drive

SNMP Trap ID

5

CIM Information

Prefix: PLAT ID: 0175

User Response

Information only; no action is required.

- **816f050d-0406ffff : Critical Array [ComputerSystemElementName] has deasserted.**

The RAID array is no longer in a critical condition.

Severity

Info

Serviceable

No

Automatically notify support

No

Alert Category

Critical - Hard Disk drive

SNMP Trap ID

5

CIM Information

Prefix: PLAT ID: 0175

User Response

Information only; no action is required.

- **816f050d-0407ffff : Critical Array [ComputerSystemElementName] has deasserted.**

The RAID array is no longer in a critical condition.

Severity

Info

Serviceable

No

Automatically notify support

No

Alert Category

Critical - Hard Disk drive

SNMP Trap ID

5

CIM Information

Prefix: PLAT ID: 0175

User Response

Information only; no action is required.

- **816f050d-0408ffff : Critical Array [ComputerSystemElementName] has deasserted.**

The RAID array is no longer in a critical condition.

Severity

Info

Serviceable

No

Automatically notify support

No

Alert Category

Critical - Hard Disk drive

SNMP Trap ID

5

CIM Information

Prefix: PLAT ID: 0175

User Response

Information only; no action is required.

- **816f050d-0409ffff : Critical Array [ComputerSystemElementName] has deasserted.**

The RAID array is no longer in a critical condition.

Severity

Info

Serviceable

No

Automatically notify support

No

Alert Category

Critical - Hard Disk drive

SNMP Trap ID

5

CIM Information

Prefix: PLAT ID: 0175

User Response

Information only; no action is required.

- **816f050d-040affff : Critical Array [ComputerSystemElementName] has deasserted.**

The RAID array is no longer in a critical condition.

Severity

Info

Serviceable

No

Automatically notify support

No

Alert Category

Critical - Hard Disk drive

SNMP Trap ID

5

CIM Information

Prefix: PLAT ID: 0175

User Response

Information only; no action is required.

- **816f050d-040bffff : Critical Array [ComputerSystemElementName] has deasserted.**

The RAID array is no longer in a critical condition.

Severity

Info

Serviceable

No

Automatically notify support

No

Alert Category

Critical - Hard Disk drive

SNMP Trap ID

5

CIM Information

Prefix: PLAT ID: 0175

User Response

Information only; no action is required.

- **816f050d-040cffff : Critical Array [ComputerSystemElementName] has deasserted.**

The RAID array is no longer in a critical condition.

Severity

Info

Serviceable

No

Automatically notify support

No

Alert Category

Critical - Hard Disk drive

SNMP Trap ID

5

CIM Information

Prefix: PLAT ID: 0175

User Response

Information only; no action is required.

- **816f050d-040dffff : Critical Array [ComputerSystemElementName] has deasserted.**

The RAID array is no longer in a critical condition.

Severity

Info

Serviceable

No

Automatically notify support

No

Alert Category

Critical - Hard Disk drive

SNMP Trap ID

5

CIM Information

Prefix: PLAT ID: 0175

User Response

Information only; no action is required.

- **816f050d-040effff : Critical Array [ComputerSystemElementName] has deasserted.**

The RAID array is no longer in a critical condition.

Severity

Info

Serviceable

No

Automatically notify support

No

Alert Category

Critical - Hard Disk drive

SNMP Trap ID

5

CIM Information

Prefix: PLAT ID: 0175

User Response

Information only; no action is required.

- **816f050d-040fffff : Critical Array [ComputerSystemElementName] has deasserted.**

The RAID array is no longer in a critical condition.

Severity

Info

Serviceable

No

Automatically notify support

No

Alert Category

Critical - Hard Disk drive

SNMP Trap ID

5

CIM Information**Prefix:** PLAT ID: 0175**User Response**

Information only; no action is required.

- **816f050d-0410ffff : Critical Array [ComputerSystemElementName] has deasserted.**

The RAID array is no longer in a critical condition.

Severity

Info

Serviceable

No

Automatically notify support

No

Alert Category

Critical - Hard Disk drive

SNMP Trap ID

5

CIM Information**Prefix:** PLAT ID: 0175**User Response**

Information only; no action is required.

- **816f050d-0411ffff : Critical Array [ComputerSystemElementName] has deasserted.**

The RAID array is no longer in a critical condition.

Severity

Info

Serviceable

No

Automatically notify support

No

Alert Category

Critical - Hard Disk drive

SNMP Trap ID

5

CIM Information**Prefix:** PLAT ID: 0175**User Response**

Information only; no action is required.

- **816f050d-0412ffff : Critical Array [ComputerSystemElementName] has deasserted.**

The RAID array is no longer in a critical condition.

Severity

Info

Serviceable

No

Automatically notify support

No

Alert Category

Critical - Hard Disk drive

SNMP Trap ID

5

CIM Information

Prefix: PLAT ID: 0175

User Response

Information only; no action is required.

- **816f050d-0413ffff : Critical Array [ComputerSystemElementName] has deasserted.**

The RAID array is no longer in a critical condition.

Severity

Info

Serviceable

No

Automatically notify support

No

Alert Category

Critical - Hard Disk drive

SNMP Trap ID

5

CIM Information

Prefix: PLAT ID: 0175

User Response

Information only; no action is required.

- **816f050d-0414ffff : Critical Array [ComputerSystemElementName] has deasserted.**

The RAID array is no longer in a critical condition.

Severity

Info

Serviceable

No

Automatically notify support

No

Alert Category

Critical - Hard Disk drive

SNMP Trap ID

5

CIM Information

Prefix: PLAT ID: 0175

User Response

Information only; no action is required.

- **816f050d-0415ffff : Critical Array [ComputerSystemElementName] has deasserted.**

The RAID array is no longer in a critical condition.

Severity

Info

Serviceable

No

Automatically notify support

No

Alert Category

Critical - Hard Disk drive

SNMP Trap ID

5

CIM Information

Prefix: PLAT ID: 0175

User Response

Information only; no action is required.

- **816f050d-0416ffff : Critical Array [ComputerSystemElementName] has deasserted.**

The RAID array is no longer in a critical condition.

Severity

Info

Serviceable

No

Automatically notify support

No

Alert Category

Critical - Hard Disk drive

SNMP Trap ID

5

CIM Information

Prefix: PLAT ID: 0175

User Response

Information only; no action is required.

- **816f050d-0417ffff : Critical Array [ComputerSystemElementName] has deasserted.**

The RAID array is no longer in a critical condition.

Severity

Info

Serviceable

No

Automatically notify support

No

Alert Category

Critical - Hard Disk drive

SNMP Trap ID

5

CIM Information

Prefix: PLAT ID: 0175

User Response

Information only; no action is required.

- **816f0513-2582ffff : A PCI SERR on system [ComputerSystemElementName] has deasserted.**

A PCI System Error (SERR) has recovered for All PCI Error or One of PCI Error.

Severity

Info

Serviceable

No

Automatically notify support

No

Alert Category

Critical - Other

SNMP Trap ID

50

CIM Information

Prefix: PLAT ID: 0235

User Response

Information only; no action is required.

Related links

- "Finding the UEFI diagnostic code" on page 824

- **816f0607-0301ffff : An SM BIOS Uncorrectable CPU complex error for [ProcessorElementName] has deasserted.**

An SM BIOS uncorrectable CPU complex error has recovered.

Severity

Info

Serviceable

No

Automatically notify support

No

Alert Category

Critical - CPU

SNMP Trap ID

40

CIM Information

Prefix: PLAT ID: 0817

User Response

Information only; no action is required.

Related links

- "Finding the UEFI diagnostic code" on page 824

- **816f0607-0302ffff : An SM BIOS Uncorrectable CPU complex error for [ProcessorElementName] has deasserted.**

An SM BIOS uncorrectable CPU complex error has recovered.

Severity

Info

Serviceable

No

Automatically notify support

No

Alert Category

Critical - CPU

SNMP Trap ID

40

CIM Information

Prefix: PLAT ID: 0817

User Response

Information only; no action is required.

Related links

- "Finding the UEFI diagnostic code" on page 824

- **816f0607-2584ffff : An SM BIOS Uncorrectable CPU complex error for [ProcessorElementName] has deasserted.**

An SM BIOS uncorrectable CPU complex error has recovered.

Severity

Info

Serviceable

No

Automatically notify support

No

Alert Category

Critical - CPU

SNMP Trap ID

40

CIM Information

Prefix: PLAT **ID:** 0817

User Response

Information only; no action is required.

Related links

- "Finding the UEFI diagnostic code" on page 824

- **816f060d-0400ffff : Array in system [ComputerSystemElementName] has been restored.**

The failed RAID array has been restored.

Severity

Info

Serviceable

No

Automatically notify support

No

Alert Category

Critical - Hard Disk drive

SNMP Trap ID

5

CIM Information

Prefix: PLAT **ID:** 0177

User Response

Information only; no action is required.

- **816f060d-0401ffff : Array in system [ComputerSystemElementName] has been restored.**

The failed RAID array has been restored.

Severity

Info

Serviceable

No

Automatically notify support

No

Alert Category

Critical - Hard Disk drive

SNMP Trap ID

5

CIM Information

Prefix: PLAT ID: 0177

User Response

Information only; no action is required.

- **816f060d-0402ffff : Array in system [ComputerSystemElementName] has been restored.**

The failed RAID array has been restored.

Severity

Info

Serviceable

No

Automatically notify support

No

Alert Category

Critical - Hard Disk drive

SNMP Trap ID

5

CIM Information

Prefix: PLAT ID: 0177

User Response

Information only; no action is required.

- **816f060d-0403ffff : Array in system [ComputerSystemElementName] has been restored.**

The failed RAID array has been restored.

Severity

Info

Serviceable

No

Automatically notify support

No

Alert Category

Critical - Hard Disk drive

SNMP Trap ID

5

CIM Information

Prefix: PLAT ID: 0177

User Response

Information only; no action is required.

- **816f060d-0404ffff : Array in system [ComputerSystemElementName] has been restored.**

The failed RAID array has been restored.

Severity

Info

Serviceable

No

Automatically notify support

No

Alert Category

Critical - Hard Disk drive

SNMP Trap ID

5

CIM Information

Prefix: PLAT ID: 0177

User Response

Information only; no action is required.

- **816f060d-0405ffff : Array in system [ComputerSystemElementName] has been restored.**

The failed RAID array has been restored.

Severity

Info

Serviceable

No

Automatically notify support

No

Alert Category

Critical - Hard Disk drive

SNMP Trap ID

5

CIM Information

Prefix: PLAT ID: 0177

User Response

Information only; no action is required.

- **816f060d-0406ffff : Array in system [ComputerSystemElementName] has been restored.**

The failed RAID array has been restored.

Severity

Info

Serviceable

No

Automatically notify support

No

Alert Category

Critical - Hard Disk drive

SNMP Trap ID

5

CIM Information

Prefix: PLAT ID: 0177

User Response

Information only; no action is required.

- **816f060d-0407ffff : Array in system [ComputerSystemElementName] has been restored.**

The failed RAID array has been restored.

Severity

Info

Serviceable

No

Automatically notify support

No

Alert Category

Critical - Hard Disk drive

SNMP Trap ID

5

CIM Information

Prefix: PLAT ID: 0177

User Response

Information only; no action is required.

- **816f060d-0408ffff : Array in system [ComputerSystemElementName] has been restored.**

The failed RAID array has been restored.

Severity

Info

Serviceable

No

Automatically notify support

No

Alert Category

Critical - Hard Disk drive

SNMP Trap ID

5

CIM Information

Prefix: PLAT ID: 0177

User Response

Information only; no action is required.

- **816f060d-0409ffff : Array in system [ComputerSystemElementName] has been restored.**

The failed RAID array has been restored.

Severity

Info

Serviceable

No

Automatically notify support

No

Alert Category

Critical - Hard Disk drive

SNMP Trap ID

5

CIM Information

Prefix: PLAT ID: 0177

User Response

Information only; no action is required.

- **816f060d-040affff : Array in system [ComputerSystemElementName] has been restored.**

The failed RAID array has been restored.

Severity

Info

Serviceable

No

Automatically notify support

No

Alert Category

Critical - Hard Disk drive

SNMP Trap ID

5

CIM Information

Prefix: PLAT ID: 0177

User Response

Information only; no action is required.

- **816f060d-040bffff : Array in system [ComputerSystemElementName] has been restored.**

The failed RAID array has been restored.

Severity

Info

Serviceable

No

Automatically notify support

No

Alert Category

Critical - Hard Disk drive

SNMP Trap ID

5

CIM Information**Prefix:** PLAT ID: 0177**User Response**

Information only; no action is required.

- **816f060d-040cffff : Array in system [ComputerSystemElementName] has been restored.**

The failed RAID array has been restored.

Severity

Info

Serviceable

No

Automatically notify support

No

Alert Category

Critical - Hard Disk drive

SNMP Trap ID

5

CIM Information**Prefix:** PLAT ID: 0177**User Response**

Information only; no action is required.

- **816f060d-040dffff : Array in system [ComputerSystemElementName] has been restored.**

The failed RAID array has been restored.

Severity

Info

Serviceable

No

Automatically notify support

No

Alert Category

Critical - Hard Disk drive

SNMP Trap ID

5

CIM Information**Prefix: PLAT ID: 0177****User Response**

Information only; no action is required.

- **816f060d-040effff : Array in system [ComputerSystemElementName] has been restored.**

The failed RAID array has been restored.

Severity

Info

Serviceable

No

Automatically notify support

No

Alert Category

Critical - Hard Disk drive

SNMP Trap ID

5

CIM Information**Prefix: PLAT ID: 0177****User Response**

Information only; no action is required.

- **816f060d-040fffff : Array in system [ComputerSystemElementName] has been restored.**

The failed RAID array has been restored.

Severity

Info

Serviceable

No

Automatically notify support

No

Alert Category

Critical - Hard Disk drive

SNMP Trap ID

5

CIM Information**Prefix: PLAT ID: 0177****User Response**

Information only; no action is required.

- **816f060d-0410ffff : restored.**

The failed RAID array has been restored.

Severity

Info

Serviceable

No

Automatically notify support

No

Alert Category

Critical - Hard Disk drive

SNMP Trap ID

5

CIM Information

Prefix: PLAT ID: 0177

User Response

Information only; no action is required.

- **816f060d-0411ffff : Array in system [ComputerSystemElementName] has been restored.**

The failed RAID array has been restored.

Severity

Info

Serviceable

No

Automatically notify support

No

Alert Category

Critical - Hard Disk drive

SNMP Trap ID

5

CIM Information

Prefix: PLAT ID: 0177

User Response

Information only; no action is required.

- **816f060d-0412ffff : Array in system [ComputerSystemElementName] has been restored.**

The failed RAID array has been restored.

Severity

Info

Serviceable

No

Automatically notify support

No

Alert Category

Critical - Hard Disk drive

SNMP Trap ID

5

CIM Information

Prefix: PLAT ID: 0177

User Response

Information only; no action is required.

- **816f060d-0413ffff : Array in system [ComputerSystemElementName] has been restored.**

The failed RAID array has been restored.

Severity

Info

Serviceable

No

Automatically notify support

No

Alert Category

Critical - Hard Disk drive

SNMP Trap ID

5

CIM Information

Prefix: PLAT ID: 0177

User Response

Information only; no action is required.

- **816f060d-0414ffff : Array in system [ComputerSystemElementName] has been restored.**

The failed RAID array has been restored.

Severity

Info

Serviceable

No

Automatically notify support

No

Alert Category

Critical - Hard Disk drive

SNMP Trap ID

5

CIM Information

Prefix: PLAT ID: 0177

User Response

Information only; no action is required.

- **816f060d-0415ffff : Array in system [ComputerSystemElementName] has been restored.**

The failed RAID array has been restored.

Severity

Info

Serviceable

No

Automatically notify support

No

Alert Category

Critical - Hard Disk drive

SNMP Trap ID

5

CIM Information

Prefix: PLAT ID: 0177

User Response

Information only; no action is required.

- **816f060d-0416ffff : Array in system [ComputerSystemElementName] has been restored.**

The failed RAID array has been restored.

Severity

Info

Serviceable

No

Automatically notify support

No

Alert Category

Critical - Hard Disk drive

SNMP Trap ID

5

CIM Information

Prefix: PLAT ID: 0177

User Response

Information only; no action is required.

- **816f060d-0417ffff : Array in system [ComputerSystemElementName] has been restored.**

The failed RAID array has been restored.

Severity

Info

Serviceable

No

Automatically notify support

No

Alert Category

Critical - Hard Disk drive

SNMP Trap ID

5

CIM Information

Prefix: PLAT ID: 0177

User Response

Information only; no action is required.

- **816f070c-2001ffff : Configuration error for [PhysicalMemoryElementName] on Subsystem [MemoryElementName]has deasserted.**

A memory DIMM configuration error has recovered.

Severity

Info

Serviceable

No

Automatically notify support

No

Alert Category

Critical - Memory

SNMP Trap ID

41

CIM Information

Prefix: PLAT ID: 0127

User Response

Information only; no action is required.

Related links

- "Finding the UEFI diagnostic code" on page 824

- **816f070c-2002ffff : Configuration error for [PhysicalMemoryElementName] on Subsystem [MemoryElementName]has deasserted.**

A memory DIMM configuration error has recovered.

Severity

Info

Serviceable

No

Automatically notify support

No

Alert Category

Critical - Memory

SNMP Trap ID

41

CIM Information

Prefix: PLAT ID: 0127

User Response

Information only; no action is required.

Related links

- "Finding the UEFI diagnostic code" on page 824

- **816f070c-2003ffff : Configuration error for [PhysicalMemoryElementName] on Subsystem [MemoryElementName]has deasserted.**

A memory DIMM configuration error has recovered.

Severity

Info

Serviceable

No

Automatically notify support

No

Alert Category

Critical - Memory

SNMP Trap ID

41

CIM Information

Prefix: PLAT ID: 0127

User Response

Information only; no action is required.

Related links

- "Finding the UEFI diagnostic code" on page 824

- **816f070c-2004ffff : Configuration error for [PhysicalMemoryElementName] on Subsystem [MemoryElementName]has deasserted.**

A memory DIMM configuration error has recovered.

Severity

Info

Serviceable

No

Automatically notify support

No

Alert Category

Critical - Memory

SNMP Trap ID

41

CIM Information

Prefix: PLAT ID: 0127

User Response

Information only; no action is required.

Related links

- "Finding the UEFI diagnostic code" on page 824

- **816f070c-2005ffff : Configuration error for [PhysicalMemoryElementName] on Subsystem [MemoryElementName]has deasserted.**

A memory DIMM configuration error has recovered.

Severity

Info

Serviceable

No

Automatically notify support

No

Alert Category

Critical - Memory

SNMP Trap ID

41

CIM Information

Prefix: PLAT ID: 0127

User Response

Information only; no action is required.

Related links

- "Finding the UEFI diagnostic code" on page 824

- **816f070c-2006ffff : Configuration error for [PhysicalMemoryElementName] on Subsystem [MemoryElementName]has deasserted.**

A memory DIMM configuration error has recovered.

Severity

Info

Serviceable

No

Automatically notify support

No

Alert Category

Critical - Memory

SNMP Trap ID

41

CIM Information

Prefix: PLAT ID: 0127

User Response

Information only; no action is required.

Related links

- "Finding the UEFI diagnostic code" on page 824

- **816f070c-2007ffff : Configuration error for [PhysicalMemoryElementName] on Subsystem [MemoryElementName]has deasserted.**

A memory DIMM configuration error has recovered.

Severity

Info

Serviceable

No

Automatically notify support

No

Alert Category

Critical - Memory

SNMP Trap ID

41

CIM Information

Prefix: PLAT ID: 0127

User Response

Information only; no action is required.

Related links

- "Finding the UEFI diagnostic code" on page 824

- **816f070c-2008ffff : Configuration error for [PhysicalMemoryElementName] on Subsystem [MemoryElementName]has deasserted.**

A memory DIMM configuration error has recovered.

Severity

Info

Serviceable

No

Automatically notify support

No

Alert Category

Critical - Memory

SNMP Trap ID

41

CIM Information

Prefix: PLAT ID: 0127

User Response

Information only; no action is required.

Related links

- "Finding the UEFI diagnostic code" on page 824

- **816f070c-2009ffff : Configuration error for [PhysicalMemoryElementName] on Subsystem [MemoryElementName]has deasserted.**

A memory DIMM configuration error has recovered.

Severity

Info

Serviceable

No

Automatically notify support

No

Alert Category

Critical - Memory

SNMP Trap ID

41

CIM Information

Prefix: PLAT ID: 0127

User Response

Information only; no action is required.

Related links

- "Finding the UEFI diagnostic code" on page 824

- **816f070c-200affff : Configuration error for [PhysicalMemoryElementName] on Subsystem [MemoryElementName]has deasserted.**

A memory DIMM configuration error has recovered.

Severity

Info

Serviceable

No

Automatically notify support

No

Alert Category

Critical - Memory

SNMP Trap ID

41

CIM Information

Prefix: PLAT ID: 0127

User Response

Information only; no action is required.

Related links

- "Finding the UEFI diagnostic code" on page 824

- **816f070c-200bffff : Configuration error for [PhysicalMemoryElementName] on Subsystem [MemoryElementName]has deasserted.**

A memory DIMM configuration error has recovered.

Severity

Info

Serviceable

No

Automatically notify support

No

Alert Category

Critical - Memory

SNMP Trap ID

41

CIM Information

Prefix: PLAT ID: 0127

User Response

Information only; no action is required.

Related links

- "Finding the UEFI diagnostic code" on page 824

- **816f070c-200cffff : Configuration error for [PhysicalMemoryElementName] on Subsystem [MemoryElementName]has deasserted.**

A memory DIMM configuration error has recovered.

Severity

Info

Serviceable

No

Automatically notify support

No

Alert Category

Critical - Memory

SNMP Trap ID

41

CIM Information

Prefix: PLAT ID: 0127

User Response

Information only; no action is required.

Related links

- "Finding the UEFI diagnostic code" on page 824

- **816f070c-200dffff : Configuration error for [PhysicalMemoryElementName] on Subsystem [MemoryElementName]has deasserted.**

A memory DIMM configuration error has recovered.

Severity

Info

Serviceable

No

Automatically notify support

No

Alert Category

Critical - Memory

SNMP Trap ID

41

CIM Information

Prefix: PLAT ID: 0127

User Response

Information only; no action is required.

Related links

- "Finding the UEFI diagnostic code" on page 824

- **816f070c-200effff : Configuration error for [PhysicalMemoryElementName] on Subsystem [MemoryElementName]has deasserted.**

A memory DIMM configuration error has recovered.

Severity

Info

Serviceable

No

Automatically notify support

No

Alert Category

Critical - Memory

SNMP Trap ID

41

CIM Information

Prefix: PLAT ID: 0127

User Response

Information only; no action is required.

Related links

- "Finding the UEFI diagnostic code" on page 824

- **816f070c-200ffff : Configuration error for [PhysicalMemoryElementName] on Subsystem [MemoryElementName]has deasserted.**

A memory DIMM configuration error has recovered.

Severity

Info

Serviceable

No

Automatically notify support

No

Alert Category

Critical - Memory

SNMP Trap ID

41

CIM Information

Prefix: PLAT ID: 0127

User Response

Information only; no action is required.

Related links

- "Finding the UEFI diagnostic code" on page 824

- **816f070c-2010fff : Configuration error for [PhysicalMemoryElementName] on Subsystem [MemoryElementName]has deasserted.**

A memory DIMM configuration error has recovered.

Severity

Info

Serviceable

No

Automatically notify support

No

Alert Category

Critical - Memory

SNMP Trap ID

41

CIM Information

Prefix: PLAT ID: 0127

User Response

Information only; no action is required.

Related links

- "Finding the UEFI diagnostic code" on page 824

- **816f070c-2011ffff : Configuration error for [PhysicalMemoryElementName] on Subsystem [MemoryElementName]has deasserted.**

A memory DIMM configuration error has recovered.

Severity

Info

Serviceable

No

Automatically notify support

No

Alert Category

Critical - Memory

SNMP Trap ID

41

CIM Information

Prefix: PLAT ID: 0127

User Response

Information only; no action is required.

Related links

- "Finding the UEFI diagnostic code" on page 824

- **816f070c-2012ffff : Configuration error for [PhysicalMemoryElementName] on Subsystem [MemoryElementName]has deasserted.**

A memory DIMM configuration error has recovered.

Severity

Info

Serviceable

No

Automatically notify support

No

Alert Category

Critical - Memory

SNMP Trap ID

41

CIM Information

Prefix: PLAT ID: 0127

User Response

Information only; no action is required.

Related links

- "Finding the UEFI diagnostic code" on page 824

- **816f070c-2013ffff : Configuration error for [PhysicalMemoryElementName] on Subsystem [MemoryElementName]has deasserted.**

A memory DIMM configuration error has recovered.

Severity

Info

Serviceable

No

Automatically notify support

No

Alert Category

Critical - Memory

SNMP Trap ID

41

CIM Information

Prefix: PLAT ID: 0127

User Response

Information only; no action is required.

Related links

- "Finding the UEFI diagnostic code" on page 824

- **816f070c-2014ffff : Configuration error for [PhysicalMemoryElementName] on Subsystem [MemoryElementName]has deasserted.**

A memory DIMM configuration error has recovered.

Severity

Info

Serviceable

No

Automatically notify support

No

Alert Category

Critical - Memory

SNMP Trap ID

41

CIM Information

Prefix: PLAT ID: 0127

User Response

Information only; no action is required.

Related links

- "Finding the UEFI diagnostic code" on page 824

- **816f070c-2015ffff : Configuration error for [PhysicalMemoryElementName] on Subsystem [MemoryElementName]has deasserted.**

A memory DIMM configuration error has recovered.

Severity

Info

Serviceable

No

Automatically notify support

No

Alert Category

Critical - Memory

SNMP Trap ID

41

CIM Information

Prefix: PLAT ID: 0127

User Response

Information only; no action is required.

Related links

- "Finding the UEFI diagnostic code" on page 824

- **816f070c-2016ffff : Configuration error for [PhysicalMemoryElementName] on Subsystem [MemoryElementName]has deasserted.**

A memory DIMM configuration error has recovered.

Severity

Info

Serviceable

No

Automatically notify support

No

Alert Category

Critical - Memory

SNMP Trap ID

41

CIM Information

Prefix: PLAT ID: 0127

User Response

Information only; no action is required.

Related links

– “Finding the UEFI diagnostic code” on page 824

- **816f070c-2017ffff : Configuration error for [PhysicalMemoryElementName] on Subsystem [MemoryElementName]has deasserted.**

A memory DIMM configuration error has recovered.

Severity

Info

Serviceable

No

Automatically notify support

No

Alert Category

Critical - Memory

SNMP Trap ID

41

CIM Information

Prefix: PLAT ID: 0127

User Response

Information only; no action is required.

Related links

– “Finding the UEFI diagnostic code” on page 824

- **816f070c-2018ffff : Configuration error for [PhysicalMemoryElementName] on Subsystem [MemoryElementName]has deasserted.**

A memory DIMM configuration error has recovered.

Severity

Info

Serviceable

No

Automatically notify support

No

Alert Category

Critical - Memory

SNMP Trap ID

41

CIM Information

Prefix: PLAT ID: 0127

User Response

Information only; no action is required.

Related links

– “Finding the UEFI diagnostic code” on page 824

- **816f070c-2581ffff : Configuration error for [PhysicalMemoryElementName] on Subsystem [MemoryElementName]has deasserted.**

A memory DIMM configuration error has recovered.

Severity

Info

Serviceable

No

Automatically notify support

No

Alert Category

Critical - Memory

SNMP Trap ID

41

CIM Information

Prefix: PLAT ID: 0127

User Response

Information only; no action is required.

Related links

- "Finding the UEFI diagnostic code" on page 824

- **816f070d-0400ffff : Rebuild completed for Array in system [ComputerSystemElementName].**

The rebuild of the RAID array has completed.

Severity

Info

Serviceable

No

Automatically notify support

No

Alert Category

System - Other

SNMP Trap ID

CIM Information

Prefix: PLAT ID: 0179

User Response

Information only; no action is required.

- **816f070d-0401ffff : Rebuild completed for Array in system [ComputerSystemElementName].**

The rebuild of the RAID array has completed.

Severity

Info

Serviceable

No

Automatically notify support

No

Alert Category

System - Other

SNMP Trap ID

CIM Information

Prefix: PLAT ID: 0179

User Response

Information only; no action is required.

- **816f070d-0402ffff : Rebuild completed for Array in system [ComputerSystemElementName].**

The rebuild of the RAID array has completed.

Severity

Info

Serviceable

No

Automatically notify support

No

Alert Category

System - Other

SNMP Trap ID

CIM Information

Prefix: PLAT ID: 0179

User Response

Information only; no action is required.

- **816f070d-0403ffff : Rebuild completed for Array in system [ComputerSystemElementName].**

The rebuild of the RAID array has completed.

Severity

Info

Serviceable

No

Automatically notify support

No

Alert Category

System - Other

SNMP Trap ID

CIM Information

Prefix: PLAT ID: 0179

User Response

Information only; no action is required.

- **816f070d-0404ffff : Rebuild completed for Array in system [ComputerSystemElementName].**

The rebuild of the RAID array has completed.

Severity

Info

Serviceable

No

Automatically notify support

No

Alert Category

System - Other

SNMP Trap ID**CIM Information**

Prefix: PLAT ID: 0179

User Response

Information only; no action is required.

- **816f070d-0405ffff : Rebuild completed for Array in system [ComputerSystemElementName].**

The rebuild of the RAID array has completed.

Severity

Info

Serviceable

No

Automatically notify support

No

Alert Category

System - Other

SNMP Trap ID**CIM Information**

Prefix: PLAT ID: 0179

User Response

Information only; no action is required.

- **816f070d-0406ffff : Rebuild completed for Array in system [ComputerSystemElementName].**

The rebuild of the RAID array has completed.

Severity

Info

Serviceable

No

Automatically notify support

No

Alert Category

System - Other

SNMP Trap ID

CIM Information

Prefix: PLAT ID: 0179

User Response

Information only; no action is required.

- **816f070d-0407ffff : Rebuild completed for Array in system [ComputerSystemElementName].**

The rebuild of the RAID array has completed.

Severity

Info

Serviceable

No

Automatically notify support

No

Alert Category

System - Other

SNMP Trap ID

CIM Information

Prefix: PLAT ID: 0179

User Response

Information only; no action is required.

- **816f070d-0408ffff : Rebuild completed for Array in system [ComputerSystemElementName].**

The rebuild of the RAID array has completed.

Severity

Info

Serviceable

No

Automatically notify support

No

Alert Category
System - Other

SNMP Trap ID

CIM Information
Prefix: PLAT ID: 0179

User Response
Information only; no action is required.

- **816f070d-0409ffff : Rebuild completed for Array in system [ComputerSystemElementName].**
The rebuild of the RAID array has completed.

Severity
Info

Serviceable
No

Automatically notify support
No

Alert Category
System - Other

SNMP Trap ID

CIM Information
Prefix: PLAT ID: 0179

User Response
Information only; no action is required.

- **816f070d-040affff : Rebuild completed for Array in system [ComputerSystemElementName].**
The rebuild of the RAID array has completed.

Severity
Info

Serviceable
No

Automatically notify support
No

Alert Category
System - Other

SNMP Trap ID

CIM Information
Prefix: PLAT ID: 0179

User Response
Information only; no action is required.

- **816f070d-040bffff : Rebuild completed for Array in system [ComputerSystemElementName].**
The rebuild of the RAID array has completed.

Severity

Info

Serviceable

No

Automatically notify support

No

Alert Category

System - Other

SNMP Trap ID

CIM Information

Prefix: PLAT ID: 0179

User Response

Information only; no action is required.

- **816f070d-040cffff : Rebuild completed for Array in system [ComputerSystemElementName].**
The rebuild of the RAID array has completed.

Severity

Info

Serviceable

No

Automatically notify support

No

Alert Category

System - Other

SNMP Trap ID

CIM Information

Prefix: PLAT ID: 0179

User Response

Information only; no action is required.

- **816f070d-040dffff : Rebuild completed for Array in system [ComputerSystemElementName].**
The rebuild of the RAID array has completed.

Severity

Info

Serviceable

No

Automatically notify support

No

Alert Category

System - Other

SNMP Trap ID

CIM Information

Prefix: PLAT ID: 0179

User Response

Information only; no action is required.

- **816f070d-040effff : Rebuild completed for Array in system [ComputerSystemElementName].**

The rebuild of the RAID array has completed.

Severity

Info

Serviceable

No

Automatically notify support

No

Alert Category

System - Other

SNMP Trap ID

CIM Information

Prefix: PLAT ID: 0179

User Response

Information only; no action is required.

- **816f070d-040fffff : Rebuild completed for Array in system [ComputerSystemElementName].**

The rebuild of the RAID array has completed.

Severity

Info

Serviceable

No

Automatically notify support

No

Alert Category

System - Other

SNMP Trap ID

CIM Information

Prefix: PLAT ID: 0179

User Response

Information only; no action is required.

- **816f070d-0410ffff : Rebuild completed for Array in system [ComputerSystemElementName].**

The rebuild of the RAID array has completed.

Severity

Info

Serviceable

No

Automatically notify support

No

Alert Category

System - Other

SNMP Trap ID**CIM Information**

Prefix: PLAT ID: 0179

User Response

Information only; no action is required.

- **816f070d-0411ffff : Rebuild completed for Array in system [ComputerSystemElementName].**

The rebuild of the RAID array has completed.

Severity

Info

Serviceable

No

Automatically notify support

No

Alert Category

System - Other

SNMP Trap ID**CIM Information**

Prefix: PLAT ID: 0179

User Response

Information only; no action is required.

- **816f070d-0412ffff : Rebuild completed for Array in system [ComputerSystemElementName].**

The rebuild of the RAID array has completed.

Severity

Info

Serviceable

No

Automatically notify support

No

Alert Category

System - Other

SNMP Trap ID

CIM Information

Prefix: PLAT ID: 0179

User Response

Information only; no action is required.

- **816f070d-0413ffff : Rebuild completed for Array in system [ComputerSystemElementName].**

The rebuild of the RAID array has completed.

Severity

Info

Serviceable

No

Automatically notify support

No

Alert Category

System - Other

SNMP Trap ID

CIM Information

Prefix: PLAT ID: 0179

User Response

Information only; no action is required.

- **816f070d-0414ffff : Rebuild completed for Array in system [ComputerSystemElementName].**

The rebuild of the RAID array has completed.

Severity

Info

Serviceable

No

Automatically notify support

No

Alert Category

System - Other

SNMP Trap ID

CIM Information

Prefix: PLAT ID: 0179

User Response

Information only; no action is required.

- **816f070d-0415ffff : Rebuild completed for Array in system [ComputerSystemElementName].**

The rebuild of the RAID array has completed.

Severity

Info

Serviceable

No

Automatically notify support

No

Alert Category

System - Other

SNMP Trap ID

CIM Information

Prefix: PLAT ID: 0179

User Response

Information only; no action is required.

- **816f070d-0416ffff : Rebuild completed for Array in system [ComputerSystemElementName].**

The rebuild of the RAID array has completed.

Severity

Info

Serviceable

No

Automatically notify support

No

Alert Category

System - Other

SNMP Trap ID

CIM Information

Prefix: PLAT ID: 0179

User Response

Information only; no action is required.

- **816f070d-0417ffff : Rebuild completed for Array in system [ComputerSystemElementName].**

The rebuild of the RAID array has completed.

Severity

Info

Serviceable

No

Automatically notify support

No

Alert Category

System - Other

SNMP Trap ID**CIM Information**

Prefix: PLAT ID: 0179

User Response

Information only; no action is required.

- **816f0807-0301ffff : [ProcessorElementName] has been Enabled.**

A processor has been enabled.

Severity

Info

Serviceable

No

Automatically notify support

No

Alert Category

System - Other

SNMP Trap ID**CIM Information**

Prefix: PLAT ID: 0060

User Response

Information only; no action is required.

Related links

- "Finding the UEFI diagnostic code" on page 824

- **816f0807-0302ffff : [ProcessorElementName] has been Enabled.**

A processor has been enabled.

Severity

Info

Serviceable

No

Automatically notify support

No

Alert Category

System - Other

SNMP Trap ID

CIM Information

Prefix: PLAT ID: 0060

User Response

Information only; no action is required.

Related links

- "Finding the UEFI diagnostic code" on page 824

- **816f0807-2584ffff : [ProcessorElementName] has been Enabled.**

A processor has been enabled.

Severity

Info

Serviceable

No

Automatically notify support

No

Alert Category

System - Other

SNMP Trap ID

CIM Information

Prefix: PLAT ID: 0060

User Response

Information only; no action is required.

Related links

- "Finding the UEFI diagnostic code" on page 824

- **816f0813-2581ffff : Bus [SensorElementName] has recovered from an Uncorrectable Bus Error.**

The system has recovered from a bus uncorrectable error, DIMMs.

Severity

Info

Serviceable

No

Automatically notify support

No

Alert Category

Critical - Other

SNMP Trap ID

50

CIM Information

Prefix: PLAT ID: 0241

User Response

Information only; no action is required.

Related links

- "Finding the UEFI diagnostic code" on page 824

- **816f0813-2584ffff : Bus [SensorElementName] has recovered from an Uncorrectable Bus Error.**

The system has recovered from a bus uncorrectable error, CPUs.

Severity

Info

Serviceable

No

Automatically notify support

No

Alert Category

Critical - Other

SNMP Trap ID

50

CIM Information

Prefix: PLAT ID: 0241

User Response

Information only; no action is required.

Related links

- "Finding the UEFI diagnostic code" on page 824

- **816f090c-2001ffff : [PhysicalMemoryElementName] on Subsystem [MemoryElementName] is no longer Throttled.**

Memory DIMM throttling has been turned off.

Severity

Info

Serviceable

No

Automatically notify support

No

Alert Category

System - Other

SNMP Trap ID

CIM Information

Prefix: PLAT ID: 0143

User Response

Information only; no action is required.

- **816f090c-2002ffff : [PhysicalMemoryElementName] on Subsystem [MemoryElementName] is no longer Throttled.**

Memory DIMM throttling has been turned off.

Severity

Info

Serviceable

No

Automatically notify support

No

Alert Category

System - Other

SNMP Trap ID

CIM Information

Prefix: PLAT ID: 0143

User Response

Information only; no action is required.

- **816f090c-2003ffff : [PhysicalMemoryElementName] on Subsystem [MemoryElementName] is no longer Throttled.**

Memory DIMM throttling has been turned off.

Severity

Info

Serviceable

No

Automatically notify support

No

Alert Category

System - Other

SNMP Trap ID

CIM Information

Prefix: PLAT ID: 0143

User Response

Information only; no action is required.

- **816f090c-2004ffff : [PhysicalMemoryElementName] on Subsystem [MemoryElementName] is no longer Throttled.**

Memory DIMM throttling has been turned off.

Severity

Info

Serviceable

No

Automatically notify support

No

Alert Category

System - Other

SNMP Trap ID

CIM Information

Prefix: PLAT ID: 0143

User Response

Information only; no action is required.

- **816f090c-2005ffff : [PhysicalMemoryElementName] on Subsystem [MemoryElementName] is no longer Throttled.**

Memory DIMM throttling has been turned off.

Severity

Info

Serviceable

No

Automatically notify support

No

Alert Category

System - Other

SNMP Trap ID

CIM Information

Prefix: PLAT ID: 0143

User Response

Information only; no action is required.

- **816f090c-2006ffff : [PhysicalMemoryElementName] on Subsystem [MemoryElementName] is no longer Throttled.**

Memory DIMM throttling has been turned off.

Severity

Info

Serviceable

No

Automatically notify support

No

Alert Category

System - Other

SNMP Trap ID**CIM Information**

Prefix: PLAT ID: 0143

User Response

Information only; no action is required.

- **816f090c-2007ffff : [PhysicalMemoryElementName] on Subsystem [MemoryElementName] is no longer Throttled.**

Memory DIMM throttling has been turned off.

Severity

Info

Serviceable

No

Automatically notify support

No

Alert Category

System - Other

SNMP Trap ID**CIM Information**

Prefix: PLAT ID: 0143

User Response

Information only; no action is required.

- **816f090c-2008ffff : [PhysicalMemoryElementName] on Subsystem [MemoryElementName] is no longer Throttled.**

Memory DIMM throttling has been turned off.

Severity

Info

Serviceable

No

Automatically notify support

No

Alert Category

System - Other

SNMP Trap ID

CIM Information

Prefix: PLAT ID: 0143

User Response

Information only; no action is required.

- **816f090c-2009ffff : [PhysicalMemoryElementName] on Subsystem [MemoryElementName] is no longer Throttled.**

Memory DIMM throttling has been turned off.

Severity

Info

Serviceable

No

Automatically notify support

No

Alert Category

System - Other

SNMP Trap ID

CIM Information

Prefix: PLAT ID: 0143

User Response

Information only; no action is required.

- **816f090c-200affff : [PhysicalMemoryElementName] on Subsystem [MemoryElementName] is no longer Throttled.**

Memory DIMM throttling has been turned off.

Severity

Info

Serviceable

No

Automatically notify support

No

Alert Category

System - Other

SNMP Trap ID

CIM Information

Prefix: PLAT ID: 0143

User Response

Information only; no action is required.

- **816f090c-200bffff : [PhysicalMemoryElementName] on Subsystem [MemoryElementName] is no longer Throttled.**

Memory DIMM throttling has been turned off.

Severity

Info

Serviceable

No

Automatically notify support

No

Alert Category

System - Other

SNMP Trap ID

CIM Information

Prefix: PLAT ID: 0143

User Response

Information only; no action is required.

- **816f090c-200cffff : [PhysicalMemoryElementName] on Subsystem [MemoryElementName] is no longer Throttled.**

Memory DIMM throttling has been turned off.

Severity

Info

Serviceable

No

Automatically notify support

No

Alert Category

System - Other

SNMP Trap ID

CIM Information

Prefix: PLAT ID: 0143

User Response

Information only; no action is required.

- **816f090c-200dffff : [PhysicalMemoryElementName] on Subsystem [MemoryElementName] is no longer Throttled.**

Memory DIMM throttling has been turned off.

Severity

Info

Serviceable

No

Automatically notify support

No

Alert Category

System - Other

SNMP Trap ID**CIM Information**

Prefix: PLAT ID: 0143

User Response

Information only; no action is required.

- **816f090c-200effff : [PhysicalMemoryElementName] on Subsystem [MemoryElementName] is no longer Throttled.**

Memory DIMM throttling has been turned off.

Severity

Info

Serviceable

No

Automatically notify support

No

Alert Category

System - Other

SNMP Trap ID**CIM Information**

Prefix: PLAT ID: 0143

User Response

Information only; no action is required.

- **816f090c-200fffff : [PhysicalMemoryElementName] on Subsystem [MemoryElementName] is no longer Throttled.**

Memory DIMM throttling has been turned off.

Severity

Info

Serviceable

No

Automatically notify support

No

Alert Category

System - Other

SNMP Trap ID

CIM Information

Prefix: PLAT ID: 0143

User Response

Information only; no action is required.

- **816f090c-2010ffff : [PhysicalMemoryElementName] on Subsystem [MemoryElementName] is no longer Throttled.**

Memory DIMM throttling has been turned off.

Severity

Info

Serviceable

No

Automatically notify support

No

Alert Category

System - Other

SNMP Trap ID

CIM Information

Prefix: PLAT ID: 0143

User Response

Information only; no action is required.

- **816f090c-2011ffff : [PhysicalMemoryElementName] on Subsystem [MemoryElementName] is no longer Throttled.**

Memory DIMM throttling has been turned off.

Severity

Info

Serviceable

No

Automatically notify support

No

Alert Category

System - Other

SNMP Trap ID

CIM Information

Prefix: PLAT ID: 0143

User Response

Information only; no action is required.

- **816f090c-2012ffff : [PhysicalMemoryElementName] on Subsystem [MemoryElementName] is no longer Throttled.**

Memory DIMM throttling has been turned off.

Severity

Info

Serviceable

No

Automatically notify support

No

Alert Category

System - Other

SNMP Trap ID

CIM Information

Prefix: PLAT ID: 0143

User Response

Information only; no action is required.

- **816f090c-2013ffff : [PhysicalMemoryElementName] on Subsystem [MemoryElementName] is no longer Throttled.**

Memory DIMM throttling has been turned off.

Severity

Info

Serviceable

No

Automatically notify support

No

Alert Category

System - Other

SNMP Trap ID

CIM Information

Prefix: PLAT ID: 0143

User Response

Information only; no action is required.

- **816f090c-2014ffff : [PhysicalMemoryElementName] on Subsystem [MemoryElementName] is no longer Throttled.**

Memory DIMM throttling has been turned off.

Severity

Info

Serviceable

No

Automatically notify support

No

Alert Category

System - Other

SNMP Trap ID**CIM Information**

Prefix: PLAT ID: 0143

User Response

Information only; no action is required.

- **816f090c-2015ffff : [PhysicalMemoryElementName] on Subsystem [MemoryElementName] is no longer Throttled.**

Memory DIMM throttling has been turned off.

Severity

Info

Serviceable

No

Automatically notify support

No

Alert Category

System - Other

SNMP Trap ID**CIM Information**

Prefix: PLAT ID: 0143

User Response

Information only; no action is required.

- **816f090c-2016ffff : [PhysicalMemoryElementName] on Subsystem [MemoryElementName] is no longer Throttled.**

Memory DIMM throttling has been turned off.

Severity

Info

Serviceable

No

Automatically notify support

No

Alert Category

System - Other

SNMP Trap ID

CIM Information

Prefix: PLAT ID: 0143

User Response

Information only; no action is required.

- **816f090c-2017ffff : [PhysicalMemoryElementName] on Subsystem [MemoryElementName] is no longer Throttled.**

Memory DIMM throttling has been turned off.

Severity

Info

Serviceable

No

Automatically notify support

No

Alert Category

System - Other

SNMP Trap ID

CIM Information

Prefix: PLAT ID: 0143

User Response

Information only; no action is required.

- **816f090c-2018ffff : [PhysicalMemoryElementName] on Subsystem [MemoryElementName] is no longer Throttled.**

Memory DIMM throttling has been turned off.

Severity

Info

Serviceable

No

Automatically notify support

No

Alert Category

System - Other

SNMP Trap ID

CIM Information

Prefix: PLAT ID: 0143

User Response

Information only; no action is required.

- **816f0a07-0301ffff : The Processor [ProcessorElementName] is no longer operating in a Degraded State.**

The microprocessor 1 is no longer being throttled. (or ... has been turned off.)

Severity

Info

Serviceable

No

Automatically notify support

No

Alert Category

Warning - CPU

SNMP Trap ID

42

CIM Information

Prefix: PLAT ID: 0039

User Response

Information only; no action is required.

- **816f0a07-0302ffff : The Processor [ProcessorElementName] is no longer operating in a Degraded State.**

The microprocessor 2 is no longer being throttled. (or ... has been turned off.)

Severity

Info

Serviceable

No

Automatically notify support

No

Alert Category

Warning - CPU

SNMP Trap ID

42

CIM Information

Prefix: PLAT ID: 0039

User Response

Information only; no action is required.

- **816f0a07-2584ffff : The Processor [ProcessorElementName] is no longer operating in a Degraded State.**

The microprocessor is no longer being throttled. (or ... has been turned off.) All CPUs. One of CPUs.

Severity

Info

Serviceable

No

Automatically notify support

No

Alert Category

Warning - CPU

SNMP Trap ID

42

CIM Information

Prefix: PLAT ID: 0039

User Response

Information only; no action is required.

- **816f0a0c-2001ffff : An Over-Temperature Condition has been removed on the [PhysicalMemoryElementName] on Subsystem [MemoryElementName].**

Memory DIMM is no longer in an over-temperature condition.

Severity

Info

Serviceable

No

Automatically notify support

No

Alert Category

Critical - Temperature

SNMP Trap ID

0

CIM Information

Prefix: PLAT ID: 0147

User Response

Information only; no action is required.

- **816f0a0c-2002ffff : An Over-Temperature Condition has been removed on the [PhysicalMemoryElementName] on Subsystem [MemoryElementName].**

Memory DIMM is no longer in an over-temperature condition.

Severity

Info

Serviceable

No

Automatically notify support

No

Alert Category

Critical - Temperature

SNMP Trap ID

0

CIM Information

Prefix: PLAT ID: 0147

User Response

Information only; no action is required.

- **816f0a0c-2003ffff : An Over-Temperature Condition has been removed on the [PhysicalMemoryElementName] on Subsystem [MemoryElementName].**

Memory DIMM is no longer in an over-temperature condition.

Severity

Info

Serviceable

No

Automatically notify support

No

Alert Category

Critical - Temperature

SNMP Trap ID

0

CIM Information

Prefix: PLAT ID: 0147

User Response

Information only; no action is required.

- **816f0a0c-2004ffff : An Over-Temperature Condition has been removed on the [PhysicalMemoryElementName] on Subsystem [MemoryElementName].**

Memory DIMM is no longer in an over-temperature condition.

Severity

Info

Serviceable

No

Automatically notify support

No

Alert Category

Critical - Temperature

SNMP Trap ID

0

CIM Information

Prefix: PLAT ID: 0147

User Response

Information only; no action is required.

- **816f0a0c-2005ffff : An Over-Temperature Condition has been removed on the [PhysicalMemoryElementName] on Subsystem [MemoryElementName].**

Memory DIMM is no longer in an over-temperature condition.

Severity

Info

Serviceable

No

Automatically notify support

No

Alert Category

Critical - Temperature

SNMP Trap ID

0

CIM Information

Prefix: PLAT ID: 0147

User Response

Information only; no action is required.

- **816f0a0c-2006ffff : An Over-Temperature Condition has been removed on the [PhysicalMemoryElementName] on Subsystem [MemoryElementName].**

Memory DIMM is no longer in an over-temperature condition.

Severity

Info

Serviceable

No

Automatically notify support

No

Alert Category

Critical - Temperature

SNMP Trap ID

0

CIM Information

Prefix: PLAT ID: 0147

User Response

Information only; no action is required.

- **816f0a0c-2007ffff : An Over-Temperature Condition has been removed on the [PhysicalMemoryElementName] on Subsystem [MemoryElementName].**

Memory DIMM is no longer in an over-temperature condition.

Severity

Info

Serviceable

No

Automatically notify support

No

Alert Category

Critical - Temperature

SNMP Trap ID

0

CIM Information

Prefix: PLAT ID: 0147

User Response

Information only; no action is required.

- **816f0a0c-2008ffff : An Over-Temperature Condition has been removed on the [PhysicalMemoryElementName] on Subsystem [MemoryElementName].**

Memory DIMM is no longer in an over-temperature condition.

Severity

Info

Serviceable

No

Automatically notify support

No

Alert Category

Critical - Temperature

SNMP Trap ID

0

CIM Information

Prefix: PLAT ID: 0147

User Response

Information only; no action is required.

- **816f0a0c-2009ffff : An Over-Temperature Condition has been removed on the [PhysicalMemoryElementName] on Subsystem [MemoryElementName].**

Memory DIMM is no longer in an over-temperature condition.

Severity

Info

Serviceable

No

Automatically notify support

No

Alert Category

Critical - Temperature

SNMP Trap ID

0

CIM Information

Prefix: PLAT ID: 0147

User Response

Information only; no action is required.

- **816f0a0c-200affff : An Over-Temperature Condition has been removed on the [PhysicalMemoryElementName] on Subsystem [MemoryElementName].**

Memory DIMM is no longer in an over-temperature condition.

Severity

Info

Serviceable

No

Automatically notify support

No

Alert Category

Critical - Temperature

SNMP Trap ID

0

CIM Information

Prefix: PLAT ID: 0147

User Response

Information only; no action is required.

- **816f0a0c-200bffff : An Over-Temperature Condition has been removed on the [PhysicalMemoryElementName] on Subsystem [MemoryElementName].**

Memory DIMM is no longer in an over-temperature condition.

Severity

Info

Serviceable

No

Automatically notify support

No

Alert Category

Critical - Temperature

SNMP Trap ID

0

CIM Information

Prefix: PLAT ID: 0147

User Response

Information only; no action is required.

- **816f0a0c-200cffff : An Over-Temperature Condition has been removed on the [PhysicalMemoryElementName] on Subsystem [MemoryElementName].**

Memory DIMM is no longer in an over-temperature condition.

Severity

Info

Serviceable

No

Automatically notify support

No

Alert Category

Critical - Temperature

SNMP Trap ID

0

CIM Information

Prefix: PLAT ID: 0147

User Response

Information only; no action is required.

- **816f0a0c-200dffff : An Over-Temperature Condition has been removed on the [PhysicalMemoryElementName] on Subsystem [MemoryElementName].**

Memory DIMM is no longer in an over-temperature condition.

Severity

Info

Serviceable

No

Automatically notify support

No

Alert Category

Critical - Temperature

SNMP Trap ID

0

CIM Information

Prefix: PLAT ID: 0147

User Response

Information only; no action is required.

- **816f0a0c-200effff : An Over-Temperature Condition has been removed on the [PhysicalMemoryElementName] on Subsystem [MemoryElementName].**

Memory DIMM is no longer in an over-temperature condition.

Severity

Info

Serviceable

No

Automatically notify support

No

Alert Category

Critical - Temperature

SNMP Trap ID

0

CIM Information

Prefix: PLAT ID: 0147

User Response

Information only; no action is required.

- **816f0a0c-200ffff : An Over-Temperature Condition has been removed on the [PhysicalMemoryElementName] on Subsystem [MemoryElementName].**

Memory DIMM is no longer in an over-temperature condition.

Severity

Info

Serviceable

No

Automatically notify support

No

Alert Category

Critical - Temperature

SNMP Trap ID

0

CIM Information

Prefix: PLAT ID: 0147

User Response

Information only; no action is required.

- **816f0a0c-2010ffff : An Over-Temperature Condition has been removed on the [PhysicalMemoryElementName] on Subsystem [MemoryElementName].**

Memory DIMM is no longer in an over-temperature condition.

Severity

Info

Serviceable

No

Automatically notify support

No

Alert Category

Critical - Temperature

SNMP Trap ID

0

CIM Information

Prefix: PLAT ID: 0147

User Response

Information only; no action is required.

- **816f0a0c-2011ffff : An Over-Temperature Condition has been removed on the [PhysicalMemoryElementName] on Subsystem [MemoryElementName].**

Memory DIMM is no longer in an over-temperature condition.

Severity

Info

Serviceable

No

Automatically notify support

No

Alert Category

Critical - Temperature

SNMP Trap ID

0

CIM Information

Prefix: PLAT ID: 0147

User Response

Information only; no action is required.

- **816f0a0c-2012ffff : An Over-Temperature Condition has been removed on the [PhysicalMemoryElementName] on Subsystem [MemoryElementName].**

Memory DIMM is no longer in an over-temperature condition.

Severity

Info

Serviceable

No

Automatically notify support

No

Alert Category

Critical - Temperature

SNMP Trap ID

0

CIM Information

Prefix: PLAT ID: 0147

User Response

Information only; no action is required.

- **816f0a0c-2013ffff : An Over-Temperature Condition has been removed on the [PhysicalMemoryElementName] on Subsystem [MemoryElementName].**

Memory DIMM is no longer in an over-temperature condition.

Severity

Info

Serviceable

No

Automatically notify support

No

Alert Category

Critical - Temperature

SNMP Trap ID

0

CIM Information

Prefix: PLAT ID: 0147

User Response

Information only; no action is required.

- **816f0a0c-2014ffff : An Over-Temperature Condition has been removed on the [PhysicalMemoryElementName] on Subsystem [MemoryElementName].**

Memory DIMM is no longer in an over-temperature condition.

Severity

Info

Serviceable

No

Automatically notify support

No

Alert Category

Critical - Temperature

SNMP Trap ID

0

CIM Information

Prefix: PLAT ID: 0147

User Response

Information only; no action is required.

- **816f0a0c-2015ffff : An Over-Temperature Condition has been removed on the [PhysicalMemoryElementName] on Subsystem [MemoryElementName].**

Memory DIMM is no longer in an over-temperature condition.

Severity

Info

Serviceable

No

Automatically notify support

No

Alert Category

Critical - Temperature

SNMP Trap ID

0

CIM Information

Prefix: PLAT ID: 0147

User Response

Information only; no action is required.

- **816f0a0c-2016ffff : An Over-Temperature Condition has been removed on the [PhysicalMemoryElementName] on Subsystem [MemoryElementName].**

Memory DIMM is no longer in an over-temperature condition.

Severity

Info

Serviceable

No

Automatically notify support

No

Alert Category

Critical - Temperature

SNMP Trap ID

0

CIM Information

Prefix: PLAT ID: 0147

User Response

Information only; no action is required.

- **816f0a0c-2017ffff : An Over-Temperature Condition has been removed on the [PhysicalMemoryElementName] on Subsystem [MemoryElementName].**

Memory DIMM is no longer in an over-temperature condition.

Severity

Info

Serviceable

No

Automatically notify support

No

Alert Category

Critical - Temperature

SNMP Trap ID

0

CIM Information**Prefix: PLAT ID: 0147****User Response**

Information only; no action is required.

- **816f0a0c-2018ffff : An Over-Temperature Condition has been removed on the [PhysicalMemoryElementName] on Subsystem [MemoryElementName].**

Memory DIMM is no longer in an over-temperature condition.

Severity

Info

Serviceable

No

Automatically notify support

No

Alert Category

Critical - Temperature

SNMP Trap ID

0

CIM Information**Prefix: PLAT ID: 0147****User Response**

Information only; no action is required.

- **816f0a13-2401ffff : Bus SMBus has recovered from a Fatal Bus Error.**

The UEFI has detected that a system has recovered from a System Management Bus Fatal Error.

Severity

Info

Serviceable

No

Automatically notify support

No

Alert Category

Critical - Other

SNMP Trap ID

50

CIM Information**Prefix: PLAT ID: 0245****User Response**

Information only; no action is required.

Related links

- "Finding the UEFI diagnostic code" on page 824

- **816f0a13-2582ffff : Bus [SensorElementName] has recovered from a Fatal Bus Error.**

The UEFI has detected that a system has recovered from a System Management Bus Fatal Error.

Severity

Info

Serviceable

No

Automatically notify support

No

Alert Category

Critical - Other

SNMP Trap ID

50

CIM Information

Prefix: PLAT ID: 0245

User Response

Information only; no action is required.

Related links

- "Finding the UEFI diagnostic code" on page 824

IMM Events that automatically notify Support

You can configure the IBM Flex System Manager or the CMM to automatically notify Support (also known as *call home*) if certain types of errors are encountered. If you have configured this function, see the table for a list of events that automatically notify Support.

Table 9. Events that automatically notify Support

Event ID	Message String	Automatically Notify Support
40000086-00000000	Test Call Home Generated by user [arg1].	Yes
40000087-00000000	Manual Call Home by user [arg1]: [arg2].	Yes
80010202-0701ffff	Numeric sensor [NumericSensorElementName] going low (lower critical) has asserted.	Yes
80010902-0701ffff	Numeric sensor [NumericSensorElementName] going high (upper critical) has asserted.	Yes
8007021b-0301ffff	Sensor CPU 1 QPILinkErr has transitioned to critical from a less severe state.	Yes
8007021b-0302ffff	Sensor CPU 2 QPILinkErr has transitioned to critical from a less severe state.	Yes
806f0021-22010900	Fault in slot [PhysicalConnectorSystemElementName] on system [ComputerSystemElementName].	Yes

Table 9. Events that automatically notify Support (continued)

Event ID	Message String	Automatically Notify Support
806f0021-22010901	Fault in slot [PhysicalConnectorSystemElementName] on system [ComputerSystemElementName].	Yes
806f0021-22010902	Fault in slot [PhysicalConnectorSystemElementName] on system [ComputerSystemElementName].	Yes
806f0021-22010903	Fault in slot [PhysicalConnectorSystemElementName] on system [ComputerSystemElementName].	Yes
806f0021-22010904	Fault in slot [PhysicalConnectorSystemElementName] on system [ComputerSystemElementName].	Yes
806f0021-2201ffff	Fault in slot [PhysicalConnectorSystemElementName] on system [ComputerSystemElementName].	Yes
806f0021-25820900	Fault in slot [PhysicalConnectorSystemElementName] on system [ComputerSystemElementName].	Yes
806f0021-25820901	Fault in slot [PhysicalConnectorSystemElementName] on system [ComputerSystemElementName].	Yes
806f0021-25820902	Fault in slot [PhysicalConnectorSystemElementName] on system [ComputerSystemElementName].	Yes
806f0021-25820903	Fault in slot [PhysicalConnectorSystemElementName] on system [ComputerSystemElementName].	Yes
806f0021-2582ffff	Fault in slot [PhysicalConnectorSystemElementName] on system [ComputerSystemElementName].	Yes
806f010c-2001ffff	Uncorrectable error detected for DIMM 1 on Subsystem [MemoryElementName].	Yes
806f010c-2002ffff	Uncorrectable error detected for DIMM 2 on Subsystem [MemoryElementName].	Yes
806f010c-2003ffff	Uncorrectable error detected for DIMM 3 on Subsystem [MemoryElementName].	Yes
806f010c-2004ffff	Uncorrectable error detected for DIMM 4 on Subsystem [MemoryElementName].	Yes
806f010c-2005ffff	Uncorrectable error detected for DIMM 5 on Subsystem [MemoryElementName].	Yes
806f010c-2006ffff	Uncorrectable error detected for DIMM 6 on Subsystem [MemoryElementName].	Yes
806f010c-2007ffff	Uncorrectable error detected for DIMM 7 on Subsystem [MemoryElementName].	Yes
806f010c-2008ffff	Uncorrectable error detected for DIMM 8 on Subsystem [MemoryElementName].	Yes
806f010c-2009ffff	Uncorrectable error detected for DIMM 9 on Subsystem [MemoryElementName].	Yes
806f010c-200affff	Uncorrectable error detected for DIMM 10 on Subsystem [MemoryElementName].	Yes
806f010c-200bffff	Uncorrectable error detected for DIMM 11 on Subsystem [MemoryElementName].	Yes
806f010c-200cffff	Uncorrectable error detected for DIMM 12 on Subsystem [MemoryElementName].	Yes

Table 9. Events that automatically notify Support (continued)

Event ID	Message String	Automatically Notify Support
806f010c-200dfff	Uncorrectable error detected for DIMM 13 on Subsystem [MemoryElementName].	Yes
806f010c-200efff	Uncorrectable error detected for DIMM 14 on Subsystem [MemoryElementName].	Yes
806f010c-200ffff	Uncorrectable error detected for DIMM 15 on Subsystem [MemoryElementName].	Yes
806f010c-2010fff	Uncorrectable error detected for DIMM 16 on Subsystem [MemoryElementName].	Yes
806f010c-2011fff	Uncorrectable error detected for DIMM 17 on Subsystem [MemoryElementName].	Yes
806f010c-2012fff	Uncorrectable error detected for DIMM 18 on Subsystem [MemoryElementName].	Yes
806f010c-2013fff	Uncorrectable error detected for DIMM 19 on Subsystem [MemoryElementName].	Yes
806f010c-2014fff	Uncorrectable error detected for DIMM 20 on Subsystem [MemoryElementName].	Yes
806f010c-2015fff	Uncorrectable error detected for DIMM 21 on Subsystem [MemoryElementName].	Yes
806f010c-2016fff	Uncorrectable error detected for DIMM 22 on Subsystem [MemoryElementName].	Yes
806f010c-2017fff	Uncorrectable error detected for DIMM 23 on Subsystem [MemoryElementName].	Yes
806f010c-2018fff	Uncorrectable error detected for DIMM 24 on Subsystem [MemoryElementName].	Yes
806f010c-2581fff	Uncorrectable error detected for [PhysicalMemoryElementName] on Subsystem [MemoryElementName].	Yes
806f010d-0400fff	The Drive Drive 0 has been disabled due to a detected fault.	Yes
806f010d-0401fff	The Drive Drive 1 has been disabled due to a detected fault.	Yes
806f010d-0402fff	The Drive Drive 2 has been disabled due to a detected fault.	Yes
806f010d-0403fff	The Drive Drive 3 has been disabled due to a detected fault.	Yes
806f010d-0404fff	The Drive Drive 4 has been disabled due to a detected fault.	Yes
806f010d-0405fff	The Drive Drive 5 has been disabled due to a detected fault.	Yes
806f010d-0406fff	The Drive Drive 6 has been disabled due to a detected fault.	Yes
806f010d-0407fff	The Drive Drive 7 has been disabled due to a detected fault.	Yes
806f010d-0408fff	The [StorageVolumeElementName] has been disabled due to a detected fault.	Yes

Table 9. Events that automatically notify Support (continued)

Event ID	Message String	Automatically Notify Support
806f010d-0409ffff	The [StorageVolumeElementName] has been disabled due to a detected fault.	Yes
806f010d-040affff	The [StorageVolumeElementName] has been disabled due to a detected fault.	Yes
806f010d-040bffff	The [StorageVolumeElementName] has been disabled due to a detected fault.	Yes
806f010d-040cffff	The [StorageVolumeElementName] has been disabled due to a detected fault.	Yes
806f010d-040dffff	The [StorageVolumeElementName] has been disabled due to a detected fault.	Yes
806f010d-040effff	The [StorageVolumeElementName] has been disabled due to a detected fault.	Yes
806f010d-040fffff	The [StorageVolumeElementName] has been disabled due to a detected fault.	Yes
806f010d-0410ffff	The [StorageVolumeElementName] has been disabled due to a detected fault.	Yes
806f010d-0411ffff	The [StorageVolumeElementName] has been disabled due to a detected fault.	Yes
806f010d-0412ffff	The [StorageVolumeElementName] has been disabled due to a detected fault.	Yes
806f010d-0413ffff	The [StorageVolumeElementName] has been disabled due to a detected fault.	Yes
806f010d-0414ffff	The [StorageVolumeElementName] has been disabled due to a detected fault.	Yes
806f010d-0415ffff	The [StorageVolumeElementName] has been disabled due to a detected fault.	Yes
806f010d-0416ffff	The [StorageVolumeElementName] has been disabled due to a detected fault.	Yes
806f010d-0417ffff	The [StorageVolumeElementName] has been disabled due to a detected fault.	Yes
806f010d-2b81ffff	The [StorageVolumeElementName] has been disabled due to a detected fault.	Yes
806f0207-0301ffff	CPU 1 has Failed with FRB1/BIST condition.	Yes
806f0207-0302ffff	CPU 2 has Failed with FRB1/BIST condition.	Yes
806f0207-2584ffff	[ProcessorElementName] has Failed with FRB1/BIST condition.	Yes
806f020d-0400ffff	Failure Predicted on drive Drive 0 for array [ComputerSystemElementName].	Yes
806f020d-0401ffff	Failure Predicted on drive Drive 1 for array [ComputerSystemElementName].	Yes
806f020d-0402ffff	Failure Predicted on drive Drive 2 for array [ComputerSystemElementName].	Yes
806f020d-0403ffff	Failure Predicted on drive Drive 3 for array [ComputerSystemElementName].	Yes

Table 9. Events that automatically notify Support (continued)

Event ID	Message String	Automatically Notify Support
806f020d-0404ffff	Failure Predicted on drive Drive 4 for array [ComputerSystemElementName].	Yes
806f020d-0405ffff	Failure Predicted on drive Drive 5 for array [ComputerSystemElementName].	Yes
806f020d-0406ffff	Failure Predicted on drive Drive 6 for array [ComputerSystemElementName].	Yes
806f020d-0407ffff	Failure Predicted on drive Drive 7 for array [ComputerSystemElementName].	Yes
806f020d-0408ffff	Failure Predicted on [StorageVolumeElementName] for array [ComputerSystemElementName].	Yes
806f020d-0409ffff	Failure Predicted on [StorageVolumeElementName] for array [ComputerSystemElementName].	Yes
806f020d-040affff	Failure Predicted on [StorageVolumeElementName] for array [ComputerSystemElementName].	Yes
806f020d-040bffff	Failure Predicted on [StorageVolumeElementName] for array [ComputerSystemElementName].	Yes
806f020d-040cffff	Failure Predicted on [StorageVolumeElementName] for array [ComputerSystemElementName].	Yes
806f020d-040dffff	Failure Predicted on [StorageVolumeElementName] for array [ComputerSystemElementName].	Yes
806f020d-040effff	Failure Predicted on [StorageVolumeElementName] for array [ComputerSystemElementName].	Yes
806f020d-040fffff	Failure Predicted on [StorageVolumeElementName] for array [ComputerSystemElementName].	Yes
806f020d-0410ffff	Failure Predicted on [StorageVolumeElementName] for array [ComputerSystemElementName].	Yes
806f020d-0411ffff	Failure Predicted on [StorageVolumeElementName] for array [ComputerSystemElementName].	Yes
806f020d-0412ffff	Failure Predicted on [StorageVolumeElementName] for array [ComputerSystemElementName].	Yes
806f020d-0413ffff	Failure Predicted on [StorageVolumeElementName] for array [ComputerSystemElementName].	Yes
806f020d-0414ffff	Failure Predicted on [StorageVolumeElementName] for array [ComputerSystemElementName].	Yes
806f020d-0415ffff	Failure Predicted on [StorageVolumeElementName] for array [ComputerSystemElementName].	Yes
806f020d-0416ffff	Failure Predicted on [StorageVolumeElementName] for array [ComputerSystemElementName].	Yes
806f020d-0417ffff	Failure Predicted on [StorageVolumeElementName] for array [ComputerSystemElementName].	Yes
806f020d-2b81ffff	Failure Predicted on [StorageVolumeElementName] for array [ComputerSystemElementName].	Yes
806f050c-2001ffff	Memory Logging Limit Reached for DIMM 1 on Subsystem [MemoryElementName].	Yes

Table 9. Events that automatically notify Support (continued)

Event ID	Message String	Automatically Notify Support
806f050c-2002ffff	Memory Logging Limit Reached for DIMM 2 on Subsystem [MemoryElementName].	Yes
806f050c-2003ffff	Memory Logging Limit Reached for DIMM 3 on Subsystem [MemoryElementName].	Yes
806f050c-2004ffff	Memory Logging Limit Reached for DIMM 4 on Subsystem [MemoryElementName].	Yes
806f050c-2005ffff	Memory Logging Limit Reached for DIMM 5 on Subsystem [MemoryElementName].	Yes
806f050c-2006ffff	Memory Logging Limit Reached for DIMM 6 on Subsystem [MemoryElementName].	Yes
806f050c-2007ffff	Memory Logging Limit Reached for DIMM 7 on Subsystem [MemoryElementName].	Yes
806f050c-2008ffff	Memory Logging Limit Reached for DIMM 8 on Subsystem [MemoryElementName].	Yes
806f050c-2009ffff	Memory Logging Limit Reached for DIMM 9 on Subsystem [MemoryElementName].	Yes
806f050c-200affff	Memory Logging Limit Reached for DIMM 10 on Subsystem [MemoryElementName].	Yes
806f050c-200bffff	Memory Logging Limit Reached for DIMM 11 on Subsystem [MemoryElementName].	Yes
806f050c-200cffff	Memory Logging Limit Reached for DIMM 12 on Subsystem [MemoryElementName].	Yes
806f050c-200dffff	Memory Logging Limit Reached for DIMM 13 on Subsystem [MemoryElementName].	Yes
806f050c-200effff	Memory Logging Limit Reached for DIMM 14 on Subsystem [MemoryElementName].	Yes
806f050c-200fffff	Memory Logging Limit Reached for DIMM 15 on Subsystem [MemoryElementName].	Yes
806f050c-2010ffff	Memory Logging Limit Reached for DIMM 16 on Subsystem [MemoryElementName].	Yes
806f050c-2011ffff	Memory Logging Limit Reached for DIMM 17 on Subsystem [MemoryElementName].	Yes
806f050c-2012ffff	Memory Logging Limit Reached for DIMM 18 on Subsystem [MemoryElementName].	Yes
806f050c-2013ffff	Memory Logging Limit Reached for DIMM 19 on Subsystem [MemoryElementName].	Yes
806f050c-2014ffff	Memory Logging Limit Reached for DIMM 20 on Subsystem [MemoryElementName].	Yes
806f050c-2015ffff	Memory Logging Limit Reached for DIMM 21 on Subsystem [MemoryElementName].	Yes
806f050c-2016ffff	Memory Logging Limit Reached for DIMM 22 on Subsystem [MemoryElementName].	Yes
806f050c-2017ffff	Memory Logging Limit Reached for DIMM 23 on Subsystem [MemoryElementName].	Yes

Table 9. Events that automatically notify Support (continued)

Event ID	Message String	Automatically Notify Support
806f050c-2018ffff	Memory Logging Limit Reached for DIMM 24 on Subsystem [MemoryElementName].	Yes
806f050c-2581ffff	Memory Logging Limit Reached for [PhysicalMemoryElementName] on Subsystem [MemoryElementName].	Yes
806f060d-0400ffff	Array [ComputerSystemElementName] has failed.	Yes
806f060d-0401ffff	Array [ComputerSystemElementName] has failed.	Yes
806f060d-0402ffff	Array [ComputerSystemElementName] has failed.	Yes
806f060d-0403ffff	Array [ComputerSystemElementName] has failed.	Yes
806f060d-0404ffff	Array [ComputerSystemElementName] has failed.	Yes
806f060d-0405ffff	Array [ComputerSystemElementName] has failed.	Yes
806f060d-0406ffff	Array [ComputerSystemElementName] has failed.	Yes
806f060d-0407ffff	Array [ComputerSystemElementName] has failed.	Yes
806f060d-0408ffff	Array [ComputerSystemElementName] has failed.	Yes
806f060d-0409ffff	Array [ComputerSystemElementName] has failed.	Yes
806f060d-040affff	Array [ComputerSystemElementName] has failed.	Yes
806f060d-040bffff	Array [ComputerSystemElementName] has failed.	Yes
806f060d-040cffff	Array [ComputerSystemElementName] has failed.	Yes
806f060d-040dffff	Array [ComputerSystemElementName] has failed.	Yes
806f060d-040effff	Array [ComputerSystemElementName] has failed.	Yes
806f060d-040fffff	Array [ComputerSystemElementName] has failed.	Yes
806f060d-0410ffff	Array [ComputerSystemElementName] has failed.	Yes
806f060d-0411ffff	Array [ComputerSystemElementName] has failed.	Yes
806f060d-0412ffff	Array [ComputerSystemElementName] has failed.	Yes
806f060d-0413ffff	Array [ComputerSystemElementName] has failed.	Yes
806f060d-0414ffff	Array [ComputerSystemElementName] has failed.	Yes
806f060d-0415ffff	Array [ComputerSystemElementName] has failed.	Yes
806f060d-0416ffff	Array [ComputerSystemElementName] has failed.	Yes
806f060d-0417ffff	Array [ComputerSystemElementName] has failed.	Yes
806f0813-2581ffff	A Uncorrectable Bus Error has occurred on system [ComputerSystemElementName].	Yes
806f0813-2584ffff	A Uncorrectable Bus Error has occurred on system [ComputerSystemElementName].	Yes

UEFI diagnostic codes

UEFI diagnostic codes can be generated when the compute node starts up or while the compute node is running. UEFI diagnostic codes are logged in the IMM event log in the compute node.

UEFI diagnostic code fields

For each event code, the following fields are displayed:

Event identifier

An identifier that uniquely identifies an event.

Event description

The logged message string that appears for an event. When the event description is displayed in the event log, information such as a specific component is displayed. In this documentation, that additional information appears as variables, indicated by a percent sign (%).

Explanation

Additional information to explain why the event occurred.

Severity

An indication of the level of concern for the condition. The severity is abbreviated in the event log to the first character. The following severities can be displayed.

Table 10. Severity levels

Severity	Description
Informational	An informational message is something that was recorded for audit purposes, usually a user action or a change of states that is normal behavior.
Warning	A warning is not as severe as an error, but if possible, the condition should be corrected before it becomes an error. It might also be a condition that requires additional monitoring or maintenance.
Error	An error typically indicates a failure or critical condition that impairs service or an expected function.

User response

Indicates what actions you should perform to resolve the event.

Perform the steps listed in this section in the order shown until the problem is solved. After you perform all of the actions that are described in this field, if you cannot solve the problem, contact Lenovo Support.

Finding the UEFI diagnostic code

This topic provides information about finding the UEFI diagnostic code.

Several methods are available to locate the UEFI diagnostic code based on the systems-management platform you are using or if you are viewing test results generated by the DSA Preboot diagnostic program.

Note: Not all events have a UEFI diagnostic code associated with the event.

Table 11. Finding the UEFI diagnostic code

Interface to the UEFI diagnostic code	Action
Logged on to Flex System Manager management software (if installed)	<ol style="list-style-type: none">1. Go to the Problems (Active Status) view and click the name of the problem.2. Click on the Recommendations tab and locate the UEFI diagnostic code.
Logged on to the IMM or CMM web interface	<ol style="list-style-type: none">1. Open the Events menu and click Event Log.2. Click more next to the event message and locate the UEFI diagnostic code.
Viewing the DSA Preboot diagnostic program test results	<ol style="list-style-type: none">1. Go to the Chassis Event log.2. Scroll to the right and look in the Auxillary Data Column to find the UEFI diagnostic code.

List of UEFI events

This section lists all messages that can be sent from UEFI.

- **11002 [11002] A processor mismatch has been detected between one or more processors in the system. : One or More Mismatched Processors Detected**

Severity

Info

User Response

Complete the following steps:

1. This message could occur with messages about other processor configuration problem. Resolve those messages first.
2. If the problem persists, ensure that matching processors are installed (e., matching option part numbers, etc)
3. Verify that the processors are installed in the correct socket. If not, correct that problem.
4. Check the IBM support site for an applicable service bulletin or firmware update that applies to this processor error.
5. Replace mismatching processor. Inspect the processor socket and replace the system board first if the socket is damaged.

Related links

- “Removing a microprocessor and heat sink” on page 931
- “Installing a microprocessor and heat sink” on page 935
- “Removing and replacing the system-board assembly” on page 943

- **11004 [11004] A processor within the system has failed the BIST. : Processor Self Test Failure Detected**

Severity

Warning

User Response

Complete the following steps:

1. If the processor or firmware was just updated, check the IBM support site for an applicable service bulletin or firmware update that applies to this processor error.
2. If there are multiple processors, swap processors to move affected processor to another processor socket and retry. If problem follows the affected processor, or this is a single processor system, replace the processor. Inspect the processor socket on each processor removal and replace system board first if the processor socket is damaged or mis-aligned pins are found.
3. Replace the system board.

Related links

- “Removing a microprocessor and heat sink” on page 931
- “Installing a microprocessor and heat sink” on page 935
- “Removing and replacing the system-board assembly” on page 943

- **1100C [1100C] An uncorrectable error has been detected on processor %. : Uncorrectable processor error detected**

Severity

Error

User Response

Complete the following steps:

1. Check the IBM support site for an applicable service bulletin or firmware update that applies to this error.
2. Reboot the system. If problem persists, contact Support.

- **18005 [18005] A discrepancy has been detected in the number of cores reported by one or more processor packages within the system. : Processors have mismatched number of cores**

Severity

Info

User Response

Complete the following steps:

1. If this is a newly installed option, ensure that matching processors are installed in the correct processor socket
2. Check the IBM support site for an applicable service bulletin that applies to this processor error.
3. Replace the processor. Inspect the processor socket and replace the system board first if the socket is damaged.

Related links

- “Removing a microprocessor and heat sink” on page 931
- “Installing a microprocessor and heat sink” on page 935
- “Removing and replacing the system-board assembly” on page 943

- **18006 [18006] A mismatch between the maximum allowed QPI link speed has been detected for one or more processor package : Processors have mismatched QPI Speed**

Severity

Info

User Response

Complete the following steps:

1. If this is a newly installed option, ensure that matching processors are installed in the correct processor socket
2. Check the IBM support site for an applicable service bulletin or firmware update that applies to this processor error.
3. Replace the processor. Inspect the processor socket and replace the system board first if the socket is damaged.

Related links

- “Removing a microprocessor and heat sink” on page 931
- “Installing a microprocessor and heat sink” on page 935
- “Removing and replacing the system-board assembly” on page 943

- **18007 [18007] A power segment mismatch has been detected for one or more processor package : Processors have mismatched Power Segments**

Severity

Info

User Response

Complete the following steps:

1. Processors installed do not have the same power requirements
2. Ensure that all Processors have matching power requirements (such as 65, 95, or 130 Watts)
3. If power requirements match, check the IBM support site for an applicable service bulletin or firmware update that applies to this processor error.
4. Replace the processor. Inspect the processor socket and replace the system board first if the socket is damaged.

Related links

- “Removing a microprocessor and heat sink” on page 931
- “Installing a microprocessor and heat sink” on page 935
- “Removing and replacing the system-board assembly” on page 943

- **18009 [18009] A core speed mismatch has been detected for one or more processor package : Processors have mismatched Core Speed**

Severity

Info

User Response

Complete the following steps:

1. Verify that matching processors are installed in the correct processor socket Correct any mismatch issues found.
2. Check the IBM support site for an applicable service bulletin or firmware update that applies to this processor error.
3. Replace the processor. Inspect the processor socket and replace the system board first if the socket is damaged.

Related links

- “Installing a microprocessor and heat sink” on page 935
- “Removing and replacing the system-board assembly” on page 943

- **1800A [1800A] A mismatch has been detected between the speed at which a QPI link has trained between two or more processor package : Processors have mismatched Bus Speed**

Severity

Info

User Response

Complete the following steps:

1. Verify that the processor is a valid option that is listed as a Server Proven device for this system. If not, remove the Processor and install one listed on the Server Proven website.

2. Verify that matching processors are installed in the correct processor socket Correct any mismatch found.
3. Check the IBM support site for an applicable service bulletin or firmware update that applies to this processor error.
4. Replace the processor. Inspect the processor socket and replace the system board first if the socket is damaged.

Related links

- “Removing a microprocessor and heat sink” on page 931
- “Installing a microprocessor and heat sink” on page 935
- “Removing and replacing the system-board assembly” on page 943

- **1800B [1800B] A cache size mismatch has been detected for one or more processor package : Processors have one or more cache levels with mismatched size**

Severity

Info

User Response

Complete the following steps:

1. Verify that matching processors are installed in the correct processor socket Correct any mismatch found.
2. Check the IBM support site for an applicable service bulletin or firmware update that applies to this processor error.
3. Replace the system board.

Related links

- “Removing a microprocessor and heat sink” on page 931
- “Installing a microprocessor and heat sink” on page 935
- “Removing and replacing the system-board assembly” on page 943

- **1800C [1800C] A cache type mismatch has been detected for one or more processor package : Processors have one or more cache levels with mismatched type**

Severity

Info

User Response

Complete the following steps:

1. Verify that matching processors are installed in the correct processor socket Correct any mismatch found.
2. Check the IBM support site for an applicable service bulletin or firmware update that applies to this processor error.
3. Replace the system board.

Related links

- “Removing a microprocessor and heat sink” on page 931
- “Installing a microprocessor and heat sink” on page 935
- “Removing and replacing the system-board assembly” on page 943

- **1800D [1800D] A cache associativity mismatch has been detected for one or more processor package : Processors have one or more cache levels with mismatched associativity**

Severity

Info

User Response

Complete the following steps:

1. Verify that matching processors are installed in the correct processor socket Correct any mismatch found.
2. Check the IBM support site for an applicable service bulletin or firmware update that applies to this processor error.
3. Replace the system board.

Related links

- “Removing a microprocessor and heat sink” on page 931
- “Installing a microprocessor and heat sink” on page 935
- “Removing and replacing the system-board assembly” on page 943

- **1800E [1800E] A processor model mismatch has been detected for one or more processor package : Processors have mismatched Model Number**

Severity

Info

User Response

Complete the following steps:

1. Verify that matching processors are installed in the correct processor socket Correct any mismatch found.
2. Check the IBM support site for an applicable service bulletin or firmware update that applies to this Processor error.
3. Replace the system board.

Related links

- “Removing a microprocessor and heat sink” on page 931
- “Installing a microprocessor and heat sink” on page 935
- “Removing and replacing the system-board assembly” on page 943

- **1800F [1800F] A processor family mismatch has been detected for one or more processor package : Processors have mismatched Family**

Severity

Info

User Response

Complete the following steps:

1. Verify that matching processors are installed in the correct processor socket Correct any mismatch found.

2. Check the IBM support site for an applicable service bulletin or firmware update that applies to this processor error.
3. Replace the system board.

Related links

- “Removing a microprocessor and heat sink” on page 931
- “Installing a microprocessor and heat sink” on page 935
- “Removing and replacing the system-board assembly” on page 943

- **18010 [18010] A processor stepping mismatch has been detected for one or more processor package : Processors of the same model have mismatched Stepping ID**

Severity

Info

User Response

Complete the following steps:

1. Verify that matching processors are installed in the correct processor socket Correct any mismatch found.
2. Check the IBM support site for an applicable service bulletin or firmware update that applies to this processor error.
3. Replace the system board.

Related links

- “Removing a microprocessor and heat sink” on page 931
- “Installing a microprocessor and heat sink” on page 935
- “Removing and replacing the system-board assembly” on page 943

- **2011001 [2011001] An Uncorrected PCIe Error has Occurred at Bus % Device % Function %. The Vendor ID for the device is % and the Device ID is %. : PCI SERR Detected**

Severity

Error

User Response

Complete the following steps:

1. If this compute node and/or any attached cables were recently installed, moved, serviced or upgraded,
 - a. Reseat the adapter and any attached cable
 - b. Reload the device driver.
- c. If device is not recognized, reconfiguring slot to Gen1 or Gen2 may be required. Gen1/Gen2 settings can be configured via F1 Setup -> System Settings -> Devices and I/O Ports -> PCIe Gen1/Gen2/Gen3 Speed Selection, or the ASU Utility.
2. Check the IBM support site for an applicable device driver, firmware update, or other information that applies to this error. Load the new device driver and install any required firmware update
3. If the problem persists, remove the adapter. If system reboots successfully without the adapter, replace that adapter.

4. Replace the processor.

Related links

- “Removing an I/O expansion adapter” on page 922
- “Installing an I/O expansion adapter” on page 923
- “Using the Setup utility” on page 24
- “Updating firmware and device drivers” on page 21
- “Removing a microprocessor and heat sink” on page 931
- “Installing a microprocessor and heat sink” on page 935

- **2018001 [2018001] An Uncorrected PCIe Error has Occurred at Bus % Device % Function %. The Vendor ID for the device is % and the Device ID is %. : PCIe Uncorrected Error Detected**

Severity

Error

User Response

Complete the following steps:

1. If this compute node and/or any attached cables were recently installed, moved, serviced or upgraded:
 - a. Reseat the adapter and any attached cable
 - b. Reload the device driver.
 - c. If device is not recognized, reconfiguring slot to Gen1 or Gen2 may be required. Gen1/Gen2 settings can be configured via F1 Setup -> System Settings -> Devices and I/O Ports -> PCIe Gen1/Gen2/Gen3 Speed Selection, or the ASU Utility.
2. Check the IBM support site for an applicable device driver, firmware update, or other information that applies to this error. Load the new device driver and install any required firmware update
3. If the problem persists, remove the adapter. If the system reboots successfully without the adapter, replace that adapter.
4. Replace the processor.

Related links

- “Removing an I/O expansion adapter” on page 922
- “Installing an I/O expansion adapter” on page 923
- “Using the Setup utility” on page 24
- “Updating firmware and device drivers” on page 21
- “Removing a microprocessor and heat sink” on page 931
- “Installing a microprocessor and heat sink” on page 935

- **2018002 [2018002] The device found at Bus % Device % Function % could not be configured due to resource constraint The Vendor ID for the device is % and the Device ID is %. : OUT_OF_RESOURCES (PCI Option ROM)**

Severity

Info

User Response

Complete the following steps:

1. If this PCIe device and/or any attached cables were recently installed, moved, serviced or upgraded, reseal the adapter and any attached cable
2. Check the IBM support site for any applicable service bulletin or UEFI or adapter firmware update that applies to this error. NOTE: It may be necessary to disable unused option ROMs from UEFI F1 setup or ASU or using adapter manufacturer utilities so that adapter firmware can be updated.
3. Move the adapter to a different slot. If a slot is not available or error recurs, replace the adapter.
4. If the adapter was moved to a different slot and the error did not recur, verify that this is not a system limitation. Then replace the system board. Also, if this is not the initial installation and the error persists after adapter replacement, replace the system board.

Related links

- "Removing an I/O expansion adapter" on page 922
- "Installing an I/O expansion adapter" on page 923
- "Removing and replacing the system-board assembly" on page 943

- **2018003 [2018003] A bad option ROM checksum was detected for the device found at Bus % Device % Function %. The Vendor ID for the device is % and the Device ID is %. : ROM CHECKSUM ERROR**

Severity

Info

User Response

Complete the following steps:

1. If this PCIe device and/or any attached cables were recently installed, moved, serviced or upgraded, reseal the adapter and any attached cable
2. Move the adapter to a different system slot, if available.
3. Check the IBM support site for any applicable service bulletin or UEFI or adapter firmware update that applies to this error. NOTE: It may be necessary to configure slot to Gen1 or to use special utility software so that adapter firmware can be upgraded. Gen1/Gen2 settings can be configured via F1 Setup -> System Settings -> Devices and I/O Ports -> PCIe Gen1/Gen2/Gen3 Speed Selection, or the ASU Utility.
4. Replace the adapter.

Related links

- "Removing an I/O expansion adapter" on page 922
- "Installing an I/O expansion adapter" on page 923
- "Using the Setup utility" on page 24

- **3020007 [3020007] A firmware fault has been detected in the UEFI image. : Internal UEFI Firmware Fault Detected, System halted**

Severity

Error

User Response

Complete the following steps:

1. Check the IBM support site for an applicable service bulletin or firmware update that applies to this error.
2. Update the UEFI image.
3. Replace the system board.

Related links

- “Updating firmware and device drivers” on page 21
- “Removing and replacing the system-board assembly” on page 943

- **3028002 [3028002] Boot permission timeout detected. : Boot Permission Negotiation Timeout**

Severity

Error

User Response

Complete the following steps:

1. Check CMM/IMM logs for communication errors and resolve.
2. Reseat the system.
3. If problem persists, contact Support.

- **3030007 [3030007] A firmware fault has been detected in the UEFI image. : Internal UEFI Firmware Fault Detected, System halted**

Severity

Error

User Response

Complete the following steps:

1. Check the IBM support site for an applicable service bulletin or firmware update that applies to this error.
2. Update the UEFI image.
3. Replace the system board.

Related links

- “Updating firmware and device drivers” on page 21
- “Removing and replacing the system-board assembly” on page 943

- **3040007 [3040007] A firmware fault has been detected in the UEFI image. : Internal UEFI Firmware Fault Detected, System halted**

Severity

Error

User Response

Complete the following steps:

1. Check the IBM support site for an applicable service bulletin or firmware update that applies to this error.
2. Update the UEFI image.

3. Replace the system board.

Related links

- “Updating firmware and device drivers” on page 21
- “Removing and replacing the system-board assembly” on page 943

- **3048005 [3048005] UEFI has booted from the backup flash bank. : Booting Backup UEFI Image**

Severity

Info

User Response

Complete the following steps:

Return the system to primary bank.

Related links

- “Recovering a UEFI image” on page 22

- **3048006 [3048006] UEFI has booted from the backup flash bank due to an Automatic Boot Recovery (ABR) event. : Automated Boot Recovery, Booting Backup UEFI Image**

Severity

Warning

User Response

Complete the following steps:

1. Check the IBM support site for an applicable service bulletin or firmware update that applies to this error.
2. Update the primary UEFI image.
3. Replace the system board.

Related links

- “Updating firmware and device drivers” on page 21
- “Removing and replacing the system-board assembly” on page 943

- **3050007 [3050007] A firmware fault has been detected in the UEFI image. : Internal UEFI Firmware Fault Detected, System halted**

Severity

Error

User Response

Complete the following steps:

1. Check the IBM support site for an applicable service bulletin or firmware update that applies to this error.
2. Update the UEFI image.
3. Replace the system board.

Related links

- “Updating firmware and device drivers” on page 21
- “Removing and replacing the system-board assembly” on page 943

- **305000A [305000A] An invalid date and time have been detected. : RTC Date and Time Incorrect**

Severity

Warning

User Response

Complete the following steps:

1. Check IMM/chassis event log. This event should immediately precede 0068002 error. Resolve that event or any other battery related error
2. Use F1 Setup to reset date and time. If problem returns after a system reset, replace CMOS battery.
3. If problem persists then check the IBM support site for an applicable service bulletin or firmware update that applies to this error.
4. Replace the system board.

Related links

- “Removing the CMOS battery” on page 893
- “Installing the CMOS battery” on page 894
- “Updating firmware and device drivers” on page 21
- “Using the Setup utility” on page 24
- “Removing and replacing the system-board assembly” on page 943

- **3058004 [3058004] A Three Strike boot failure has occurred. The system has booted with default UEFI setting : POST failure has occurred! System booted with default setting**

Severity

Error

User Response

Complete the following steps:

1. This event resets UEFI to the default settings for the next boot. If successful, the Setup Utility is displayed. The original UEFI settings are still present.
2. If you did not intentionally trigger the reboots, check logs for probable cause.
3. Undo recent system changes (settings or devices added). If there were no recent system changes, remove all options, and then remove the CMOS battery for 30 seconds to clear CMOS content. Verify that the system boot. Then, re-install the options one at a time to locate the problem.
4. Check the IBM support site for an applicable service bulletin or firmware update that applies to this error.
5. Update the UEFI firmware.
6. Remove and re-install CMOS battery for 30 seconds to clear CMOS contents
7. Replace the system board.

Related links

- “Removing the CMOS battery” on page 893
- “Installing the CMOS battery” on page 894
- “Updating firmware and device drivers” on page 21
- “Using the Setup utility” on page 24
- “Removing and replacing the system-board assembly” on page 943

- **3058009 [3058009] DRIVER HEALTH PROTOCOL: Missing Configuraiton. Requires Change Settings From F1. : DRIVER HEALTH PROTOCOL: Missing Configuration. Requires Change Settings From F1**

Severity

Warning

User Response

Complete the following steps:

1. Go to the Setup Utility (System Settings -> Settings -> Driver Health Status List) and find a driver/controller reporting Configuration Required statu
2. Search for the driver menu from System Settings and change settings appropriately.
3. Save settings and restart system.

Related links

- “Using the Setup utility” on page 24

- **305800A [305800A] DRIVER HEALTH PROTOCOL: Reports 'Failed' Status Controller. : DRIVER HEALTH PROTOCOL: Reports 'Failed' Status Controller**

Severity

Warning

User Response

Complete the following steps:

1. Reboot the system.
2. If problem persists, switch to backup UEFI or update the current UEFI image.
3. Replace the system board.

Related links

- “Updating firmware and device drivers” on page 21
- “Removing and replacing the system-board assembly” on page 943

- **305800B [305800B] DRIVER HEALTH PROTOCOL: Reports 'Reboot' Required Controller. : DRIVER HEALTH PROTOCOL: Reports 'Reboot' Required Controller**

Severity

Warning

User Response

Complete the following steps:

1. No action required. The system will reboot at the end of POST.
2. If the problem persists, switch to the backup UEFI image or update the current UEFI image.

3. Replace the system board.

Related links

- “Updating firmware and device drivers” on page 21
- “Removing and replacing the system-board assembly” on page 943

- **305800C [305800C] DRIVER HEALTH PROTOCOL: Reports 'System Shutdown' Required Controller. : DRIVER HEALTH PROTOCOL: Reports 'System Shutdown' Required Controller**

Severity

Warning

User Response

Complete the following steps:

1. Reboot the system.
2. If problem persists, switch to the backup UEFI image or update the current UEFI image.
3. Replace system board.

Related links

- “Updating firmware and device drivers” on page 21
- “Removing and replacing the system-board assembly” on page 943

- **305800D [305800D] DRIVER HEALTH PROTOCOL: Disconnect Controller Failed. Requires 'Reboot'. : DRIVER HEALTH PROTOCOL: Disconnect Controller Failed. Requires 'Reboot'**

Severity

Warning

User Response

Complete the following steps:

1. Reboot the system to reconnect the controller.
2. If problem persists, switch to the backup UEFI image or update the current UEFI image.
3. Replace the system board.

Related links

- “Updating firmware and device drivers” on page 21
- “Removing and replacing the system-board assembly” on page 943

- **305800E [305800E] DRIVER HEALTH PROTOCOL: Reports Invalid Health Status Driver. : DRIVER HEALTH PROTOCOL: Reports Invalid Health Status Driver**

Severity

Warning

User Response

Complete the following steps:

1. Reboot the system.
2. If problem persists, switch to the backup UEFI image or update the current UEFI image.

3. Replace the system board.

Related links

- “Updating firmware and device drivers” on page 21
- “Removing and replacing the system-board assembly” on page 943

- **3060007 [3060007] A firmware fault has been detected in the UEFI image. : Internal UEFI Firmware Fault Detected, System halted**

Severity

Error

User Response

Complete the following steps:

1. Check the IBM support site for an applicable service bulletin or firmware update that applies to this error.
2. Update the UEFI image.
3. Replace the system board.

Related links

- “Updating firmware and device drivers” on page 21
- “Removing and replacing the system-board assembly” on page 943

- **3070007 [3070007] A firmware fault has been detected in the UEFI image. : Internal UEFI Firmware Fault Detected, System halted**

Severity

Error

User Response

Complete the following steps:

1. Check the IBM support site for an applicable service bulletin or firmware update that applies to this error.
2. Update the UEFI image.
3. Replace the system board.

Related links

- “Updating firmware and device drivers” on page 21
- “Removing and replacing the system-board assembly” on page 943

- **3108007 [3108007] The default system settings have been restored. : System Configuration Restored to Defaults**

Severity

Error

User Response

Complete the following steps:

Check the IBM support site for an applicable service bulletin or firmware update that applies to this error.

Related links

- "Updating firmware and device drivers" on page 21

- **3808000 [3808000] An IMM communication failure has occurred. : IMM Communication Failure**

Severity

Warning

User Response

Complete the following steps:

1. Reset the IMM from the CMM.
2. Use the CMM to remove auxiliary power from the compute node. This will reboot the compute node.
3. Check the IBM support site for an applicable service bulletin or firmware update that applies to this error.
4. Update the UEFI Firmware.
5. Replace the system board.

Related links

- "Updating firmware and device drivers" on page 21
- "Removing and replacing the system-board assembly" on page 943

- **3808002 [3808002] An error occurred while saving UEFI settings to the IMM. : Error Updating System Configuration to IMM**

Severity

Warning

User Response

Complete the following steps:

1. Use the Setup Utility to verify and save the settings (which will recover the settings).
2. Reset the IMM from the CMM.
3. Use CMM to remove auxiliary power from the compute node. This will reboot the compute node.
4. Check the IBM support site for an applicable service bulletin or firmware update that applies to this error.
5. Update the IMM Firmware.
6. Remove and re-install CMOS battery for 30 seconds to clear CMOS content
7. Replace the system board.

Related links

- "Removing the CMOS battery" on page 893
- "Installing the CMOS battery" on page 894
- "Updating firmware and device drivers" on page 21
- "Removing and replacing the system-board assembly" on page 943

- **3808003 [3808003] Unable to retrieve the system configuration from the IMM. : Error Retrieving System Configuration from IMM**

Severity

Warning

User Response

Complete the following steps:

1. Use the Setup Utility to verify and save the settings (which will recover the settings).
2. Reset the IMM from the CMM.
3. Use CMM to remove auxilliary power from the compute node. This will reboot the compute node.
4. Check the IBM support site for an applicable service bulletin or firmware update that applies to this error.
5. Update the IMM Firmware.
6. Remove and re-install CMOS battery for 30 seconds to clear CMOS content
7. Replace the system board.

Related links

- “Removing the CMOS battery” on page 893
- “Installing the CMOS battery” on page 894
- “Updating firmware and device drivers” on page 21
- “Using the Setup utility” on page 24
- “Removing and replacing the system-board assembly” on page 943

- **3808004 [3808004] The IMM System Event log (SEL) is full. : IPMI System Event Log is Full**

Severity

Info

User Response

Complete the following steps:

1. Use the IMM Web Interface to clear the event log.
2. If IMM communication is unavailable, use the Setup Utility to access the System Event Logs Menu and choose Clear IMM System Event Log and Restart Server.

Related links

- “Using the Setup utility” on page 24

- **3818001 [3818001] The firmware image capsule signature for the currently booted flash bank is invalid. : Current Bank CRTM Capsule Update Signature Invalid**

Severity

Info

User Response

Complete the following steps:

1. Reboot the system. Will come up on backup UEFI image. Update the primary UEFI image.
2. If error does not persist no additional recovery action is required.

3. If error persists, or boot is unsuccessful, replace the system board.

Related links

- “Updating firmware and device drivers” on page 21
- “Removing and replacing the system-board assembly” on page 943

- **3818002 [3818002] The firmware image capsule signature for the non-booted flash bank is invalid. : Opposite Bank CRTM Capsule Update Signature Invalid**

Severity

Info

User Response

Complete the following steps:

1. Update the backup UEFI image.
2. If error does not persist, no additional recovery action is required.
3. If error persists, or boot is unsuccessful, replace the system board.

Related links

- “Updating firmware and device drivers” on page 21
- “Removing and replacing the system-board assembly” on page 943

- **3818003 [3818003] The CRTM flash driver could not lock the secure flash region. : CRTM Could not lock secure flash region**

Severity

Info

User Response

Complete the following steps:

1. If system failed to boot successfully, DC cycle the system.
2. If system boots to F1 setup, update the UEFI image and reset bank to primary (if required). If the system boots without error, recovery is complete and no additional action is required.
3. If system fails to boot, or if the firmware update attempt fails, replace the system board.

Related links

- “Updating firmware and device drivers” on page 21
- “Removing and replacing the system-board assembly” on page 943

- **3818004 [3818004] The CRTM flash driver could not successfully flash the staging area. A failure occurred. : CRTM Update Failed**

Severity

Error

User Response

Complete the following steps:

1. Continue booting the system. If the system does not reset, manually reset the system.

2. If the error is not reported on the subsequent boot, no additional recovery action is required.
3. If the error persists, continue booting system and update the UEFI image.
4. Replace the system board.

Related links

- “Updating firmware and device drivers” on page 21
- “Removing and replacing the system-board assembly” on page 943

- **3818005 [3818005] The CRTM flash driver could not successfully flash the staging area. The update was aborted : CRTM Update Aborted**

Severity

Warning

User Response

Complete the following steps:

1. Continue booting system. If system does not reset, manually reset the system.
2. If the error is not reported on the subsequent boot, no additional recovery action is required.
3. If the event persists, continue booting system and update the UEFI image.
4. Replace the system board.

Related links

- “Updating firmware and device drivers” on page 21
- “Removing and replacing the system-board assembly” on page 943

- **3818007 [3818007] The firmware image capsules for both flash banks could not be verified. : CRTM image capsule could not be verified**

Severity

Error

User Response

Complete the following steps:

1. If system failed to boot successfully, DC cycle system.
2. If system boots to F1 setup, update the UEFI image and reset bank to primary (if required). If the system boots without error, recovery is complete and no additional action is required.
3. If system fails to boot, or if the firmware update attempt fails, replace the system board.

Related links

- “Updating firmware and device drivers” on page 21
- “Removing and replacing the system-board assembly” on page 943

- **3818009 [3818009] The TPM could not be properly initialized. : TPMINIT: Fail to initialize TPM chip.**

Severity

Error

User Response

Complete the following steps:

1. Check the IBM support site for an applicable service bulletin or firmware update that applies to this error.
2. Reboot the system.
3. If the error continues, replace the system-board assembly (see Removing the system-board assembly and Installing the system-board assembly).

Related links

- “Updating firmware and device drivers” on page 21
- “Removing and replacing the system-board assembly” on page 943

- **3868000 [3868000] IFM: System reset performed to reset adapter : IFM: System reset performed to reset adapters**

Severity

Info

User Response

Complete the following steps:

Information only; no action is required.

- **3868001 [3868001] IFM: Reset loop avoided - Multiple resets not allowed. : IFM: Reset loop avoided - Multiple resets not allowed**

Severity

Warning

User Response

Complete the following steps:

1. Update all firmware (including adapter firmware) to the latest level
2. If problem persists, contact Support.

Related links

- “Updating firmware and device drivers” on page 21

- **3868002 [3868002] BOFM: Error communicating with the IMM - BOFM may not be deployed correctly. : BOFM: Error communicating with the IMM - BOFM may not be deployed correctly**

Severity

Warning

User Response

Complete the following steps:

1. Update all firmware (including adapter firmware) to the latest level
2. If problem persists, contact Support.

Related links

- “Updating firmware and device drivers” on page 21
- “Removing and replacing the system-board assembly” on page 943

- **3868003 [3868003] BOFM: Configuration too large for compatibility mode. : BOFM: Configuration too large for compatibility mode**

Severity

Info

User Response

Complete the following steps:

Information only; no action is required.

- **3938002 [3938002] A boot configuration error has been detected. : Boot Configuration Error**

Severity

Warning

User Response

Complete the following steps:

1. F1 Setup -> Save Setting
2. Retry the configuration update.

Related links

- “Using the Setup utility” on page 24

- **50001 [50001] A DIMM has been disabled due to an error detected during POST. : DIMM Disabled**

Severity

Warning

User Response

Complete the following steps:

1. If the DIMM was disabled because of a memory fault, follow the procedure for that event.
2. If no memory fault is recorded in the logs and no DIMM connector error LEDs are lit, re-enable the DIMM through the Setup utility or the Advanced Settings Utility (ASU).
3. If the problem persists, Power cycle the compute node from the management console.
4. Reset the IMM to default setting
5. Reset UEFI to default setting
6. Update IMM and UEFI firmware.
7. Replace the system board.

Related links

- “Updating firmware and device drivers” on page 21
- “Removing and replacing the system-board assembly” on page 943

- **51003 [51003] An uncorrectable memory error was detected in DIMM slot % on rank %. : [51003] An uncorrectable memory error was detected on processor % channel %. The failing DIMM within the channel could not be determined.[51003] An uncorrectable memory error has been detected during POST. Fatal Memory Error Occurred**

Severity

Error

User Response

Complete the following steps:

1. If the compute node has recently been installed, moved, serviced, or upgraded, verify that the DIMM is properly seated and visually verify that there is no foreign material in any DIMM connector on that memory channel. If either of these conditions is found, correct and retry with the same DIMM. (Note: The event Log might contain a recent 00580A4 event denoting detected change in DIMM population that could be related to this problem.)
2. If no problem is observed on the DIMM connectors or the problem persists, replace the DIMM identified by LightPath and/or event log entry.
3. If problem recurs on the same DIMM connector, replace the other DIMMs on the same memory channel.
4. Check the IBM support site for an applicable service bulletin or firmware update that applies to this memory error.
5. If problem recurs on the same DIMM connector, inspect connector for damage. If found, replace the system board.
6. Replace the affected processor.
7. Replace system board.

Related links

- “Removing a DIMM” on page 895
- “Installing a DIMM ” on page 897
- “Removing a microprocessor and heat sink” on page 931
- “Installing a microprocessor and heat sink” on page 935
- “Removing and replacing the system-board assembly” on page 943

- **51006 [51006] A memory mismatch has been detected. Please verify that the memory configuration is valid. : One or More Mismatched DIMMs Detected**

Severity

Error

User Response

Complete the following steps:

1. Could follow an uncorrectable memory error or failed memory test. Check the log and service that event first. DIMMs disabled by other errors or actions could cause this event.
2. Verify that the DIMMs are installed in the correct population sequence.
3. Disable memory mirroring and sparing. If this action eliminates the mismatch, check the IBM Support site for information related to this problem.
4. Update UEFI firmware.
5. Replace the DIMM
6. Replace the processor.

Related links

- “Removing a DIMM” on page 895
- “Installing a DIMM ” on page 897
- “Removing a microprocessor and heat sink” on page 931
- “Installing a microprocessor and heat sink” on page 935

- **51009 [51009] No system memory has been detected. : No Memory Detected**

Severity

Error

User Response

Complete the following steps:

1. If any memory errors are logged other than this one, take actions indicated for those codes first.
2. If no other memory diagnostic codes appear in the logs, verify that all DIMM connectors are enabled using the Setup utility or the Advanced Settings Utility (ASU).
3. If the problem remains, shut down and remove node from chassis and physically verify that one or more DIMMs are installed and that all DIMMs are installed in the correct population sequence.
4. If DIMMs are present and properly installed, check for any lit DIMM-connector LEDs, and if found, reseal those DIMM
5. Reinstall node in chassis, power on node, then check logs for memory diagnostic code
6. If the problem remains, replace the processor.
7. If the problem remains, replace the system board.

Related links

- “Removing a DIMM” on page 895
- “Installing a DIMM ” on page 897
- “Using the Setup utility” on page 24
- “Removing a microprocessor and heat sink” on page 931
- “Installing a microprocessor and heat sink” on page 935
- “Removing and replacing the system-board assembly” on page 943

- **5100B [5100B] An unqualified DIMM serial number has been detected: serial number % found in slot % of memory card %. : Unqualified DIMM Serial Number Detected**

Severity

Info

User Response

Complete the following steps:

1. If this information event is logged in the IMM event log, the server does not have qualified memory installed.
2. The memory installed may not be covered under warranty.
3. Without qualified memory, speeds supported above industry standards will not be enabled.
4. Please contact your Local Sales Representative or Authorized Business Partner to order qualified memory to replace the unqualified DIMM(s).
5. After you install qualified memory and power up the server, check to make sure this informational event is not logged again.

Related links

- “Using the Setup utility” on page 24

- **58001 [58001] The PFA Threshold limit (correctable error logging limit) has been exceeded on DIMM number % at address %. MCx_Status contains % and MCx_Misc contains %. : DIMM PFA Threshold Exceeded**

Severity

Warning

User Response

Complete the following steps:

1. If the compute node has recently been installed, moved, serviced, or upgraded, verify that the DIMM is properly seated and visually verify that there is no foreign material in any DIMM connector on that memory channel. If either of these conditions is found, correct and retry with the same DIMM. (Note: The event Log might contain a recent 00580A4 event denoting detected change in DIMM population that could be related to this problem.)
2. Check the IBM support site for an applicable firmware update that applies to this memory error. The release notes will list the known problems the update addresses.
3. If the previous steps do not resolve the problem, at the next maintenance opportunity, replace the affected DIMM (as indicated by LightPath and/or failure log entry).
4. If PFA re-occurs on the same DIMM connector, swap the other DIMMs on the same memory channel one at a time to a different memory channel or processor. If PFA follows a moved DIMM to any DIMM connector on the different memory channel, replace the moved DIMM.
5. Check the IBM support site for an applicable Service Bulletin (Service bulletins) that applies to this memory error. (Link to IBM support service bulletins)
6. If problem continues to re-occur on the same DIMM connector, inspect DIMM connector for foreign material and remove, if found. If connector is damaged, replace system board.
7. Remove the affected processor and inspect the processor socket pins for damaged or mis-aligned pin. If damage is found or the processor is an upgrade part, replace the system board.
8. Replace affected processor.
9. Replace the system board.

Related links

- “Removing a DIMM” on page 895
- “Installing a DIMM ” on page 897
- “Removing a microprocessor and heat sink” on page 931
- “Installing a microprocessor and heat sink” on page 935
- “Removing and replacing the system-board assembly” on page 943

- **58007 [58007] Invalid memory configuration (Unsupported DIMM Population) detected. Please verify memory configuration is valid. : Unsupported DIMM Population**

Severity

Warning

User Response

Complete the following steps:

1. This event could follow an uncorrectable memory error or failed memory test. Check the log and resolve that event first. DIMMs disabled by other errors or actions could cause this event.
2. Ensure that the DIMM connectors are populated in the correct sequence.

Related links

- “Removing a DIMM” on page 895
- “Installing a DIMM ” on page 897

- **58008 [58008] A DIMM has failed the POST memory test. : DIMM Failed Memory Test**

Severity

Error

User Response

Complete the following steps:

1. You must AC-cycle the system to re-enable the affected DIMM connector or re-enable manually using the Setup utility.
2. If the compute node has been recently installed, serviced, moved, or upgraded, check to ensure that DIMMs are firmly seated and that no foreign material can be seen in the DIMM connector. If either condition is observed, correct and retry with the same DIMM. (Note: The event Log might contain a recent 00580A4 event denoting detected change in DIMM population that could be related to this problem.)
3. If problem persists, replace the DIMM identified by LightPath and/or event log entry.
4. If problem recurs on the same DIMM connector, swap the other DIMMs on the same memory channel across channels one at a time to a different memory channel or processor. If problem follows a moved DIMM to a different memory channel, replace that DIMM.
5. Check the IBM support site for an applicable service bulletin or firmware update that applies to this memory error.
6. If problem stays with the original DIMM connector, re-inspect DIMM connector for foreign material and remove, if found. If connector is damaged, replace system board.
7. Remove the affected processor and inspect the processor socket pins for damaged or mis-aligned pin. If damage is found, or this is an upgrade processor, replace the system board. If there are multiple processors, swap them to move affected processor to another processor socket and retry. If problem follows the affected processor (or there is only one processor), replace the affected processor.
8. Replace the system board.

Related links

- “Removing a DIMM” on page 895
- “Installing a DIMM ” on page 897
- “Using the Setup utility” on page 24
- “Removing a microprocessor and heat sink” on page 931
- “Installing a microprocessor and heat sink” on page 935
- “Removing and replacing the system-board assembly” on page 943

- **58015 [58015] Memory spare copy initiated. : Spare Copy Started**

Severity

Info

User Response

Complete the following steps:

Information only; no action is required.

- **580A1 [580A1] Invalid memory configuration for Mirror Mode. Please correct memory configuration. : Unsupported DIMM Population for Mirror Mode**

Severity

Warning

User Response

Complete the following steps:

1. If a DIMM connector error LED is lit, resolve the failure.
2. Make sure that the DIMM connectors are correctly populated for mirroring mode.

Related links

- "Removing a DIMM" on page 895
- "Installing a DIMM " on page 897

- **580A2 [580A2] Invalid memory configuration for Sparing Mode. Please correct memory configuration. : Unsupported DIMM Population for Spare Mode**

Severity

Warning

User Response

Complete the following steps:

Make sure that the DIMM connectors are correctly populated for sparing mode.

Related links

- "Removing a DIMM" on page 895
- "Installing a DIMM " on page 897

- **580A4 [580A4] Memory population change detected. : DIMM Population Change Detected**

Severity

Info

User Response

Complete the following steps:

Check system event log for uncorrected DIMM failures and replace those DIMM

Related links

- "Removing a DIMM" on page 895
- "Installing a DIMM " on page 897

- **580A5 [580A5] Mirror Fail-over complete. DIMM number % has failed over to to the mirrored copy. : DIMM Mirror Fail-over Detected**

Severity

Info

User Response

Complete the following steps:

Check the system-event log for uncorrected DIMM failures and replace those DIMM

Related links

- “Removing a DIMM” on page 895
- “Installing a DIMM ” on page 897

- **580A6 [580A6] Memory spare copy has completed successfully. : Spare Copy Complete**

Severity

Info

User Response

Complete the following steps:

Check system log for related DIMM failures and replace those DIMM

Related links

- “Removing a DIMM” on page 895
- “Installing a DIMM ” on page 897

- **68002 [68002] A CMOS battery error has been detected : CMOS Battery Fault**

Severity

Warning

User Response

Complete the following steps:

1. If the system was recently installed, moved, or serviced, make sure the battery is properly seated.
2. Check the IBM support site for an applicable service bulletin or firmware update that applies to this error.
3. Replace the CMOS battery.
4. Replace the system board.

Related links

- “Removing the CMOS battery” on page 893
- “Installing the CMOS battery” on page 894
- “Removing and replacing the system-board assembly” on page 943

- **68005 [68005] An error has been detected by the the IIO core logic on Bus %. The Global Fatal Error Status register contains %. The Global Non-Fatal Error Status register contains %. Please check error logs for the presence of additional downstream device error data. : Critical IOH-PCI Error**

Severity

Error

User Response

Complete the following steps:

1. Check the log for a separate error related to an associated PCIe device and resolve that error.
2. Check the IBM support site for an applicable service bulletin or firmware update for the system or adapter that applies to this error.
3. Replace the system board.

Related links

- “Removing and replacing the system-board assembly” on page 943

- **680B8 [680B8] Internal QPI Link Failure Detected. : Internal QPI Link Failure Detected**

Severity

Error

User Response

Complete the following steps:

1. Check the IBM support site for an applicable service bulletin or firmware update that applies to this error.
2. Inspect the processor socket for foreign debris or damage. If debris is found, remove the debris.
3. If error recurs, or socket damage is found, replace the system board.

Related links

- “Removing a microprocessor and heat sink” on page 931
- “Installing a microprocessor and heat sink” on page 935
- “Removing and replacing the system-board assembly” on page 943

- **680B9 [680B9] External QPI Link Failure Detected. : External QPI Link Failure Detected**

Severity

Error

User Response

Complete the following steps:

1. Check the IBM support site for an applicable service bulletin or firmware update that applies to this error.
2. Inspect the processor socket for foreign debris or damage. If debris is found, remove the debris.
3. If error recurs, or socket damage is found, replace the system board.

Related links

- “Removing a microprocessor and heat sink” on page 931

- “Installing a microprocessor and heat sink” on page 935
- “Removing and replacing the system-board assembly” on page 943

Troubleshooting by symptom

Use this information to find solutions to problems that have identifiable symptoms.

To use the symptom-based troubleshooting information in this section, complete the following steps:

1. Check the IMM event log and follow the suggested actions to resolve any event codes (see “IMM event log” on page 64).
2. Find the symptoms that you are experiencing in the troubleshooting tables in this section and follow the suggested actions to resolve any problems.
3. If the problem remains, submit a service request (see Appendix A “Getting help and technical assistance” on page 957).

Compute node start problems

Use this information to resolve compute node start problems.

Embedded hypervisor is not in the boot list

Complete the following steps until the problem is solved.

1. If the compute node has recently been installed, moved, or serviced, or if this is the first time the embedded hypervisor is being used, make sure that the device is connected properly and that there is no physical damage to the connectors.
2. Check <http://www.lenovo.com/serverproven/> to validate that the embedded hypervisor device is supported for the compute node.
3. Use the Setup utility to make sure that the embedded hypervisor device (SD card USB device) is in the startup sequence. From the Setup utility, select **Start Options**.
4. Check <http://www.ibm.com> for any service bulletins related to the embedded hypervisor and the compute node.
5. Make sure that other software works on the compute node to ensure that the compute node is working properly.

Connectivity problems

Use this information to solve connectivity problems.

Cannot communicate with the Flex System Manager management node

Use the information in this section to troubleshoot the compute node when you cannot communicate with the optional Flex System Manager management node on the data network.
cannot communicate with a compute node

Complete the following steps until the problem is solved:

1. Make sure that all ports for the connection path are enabled and that you can ping the Flex System Manager management node. If you are unable to ping the Flex System Manager management node, see “Cannot ping the Flex System Manager management node on the data network” on page 859.
2. Make sure that the protocols you are using are enabled.

Note: By default, only secure protocols are enabled, for example, SSH and HTTPS.

3. If you cannot log into the Flex System Manager management node, see “Cannot log in to the Flex System Manager management node” on page 855.

Cannot communicate with the CMM

Use the information in this section to troubleshoot the compute node when you cannot communicate with the CMM on the data network.

cannot communicate with the CMM

Note: Communications errors from compute nodes can take up to 20 minutes to appear in the CMM event log.

Complete the following steps until the problem is solved:

1. Make sure that all ports in the connection path are enabled and that you can ping the CMM. If you are unable to ping the CMM, see “Cannot ping the CMM on the management network” on page 856.
2. Make sure that the protocols that you are using are enabled.

Note: By default, only secure protocols are enabled, for example, SSH and HTTPS.

3. Make sure that you can log into the CMM. If you are unable to log in to the CMM, see “Cannot log in to the CMM” on page 856.
4. Reset the CMM to the default settings by pressing the reset button on the CMM.

Note: Press and hold the button for 10 seconds to reset the CMM configuration settings. All user modified configuration settings are reset to the factory default values.

Cannot communicate with the I/O module

Use the information in this section to troubleshoot the compute node when you cannot communicate with the I/O module.

Complete the following steps until the problem is solved:

1. Make sure that all ports in the connection path are enabled and that you can ping the I/O module. If you are unable to ping the I/O module, see “Cannot ping the I/O module” on page 858.
2. Make sure that the protocols that you are using are enabled.

Note: By default, only secure protocols are enabled, for example, SSH and HTTPS.

3. Make sure that you can log into the I/O module. If you are unable to log into the I/O module, see “Cannot log in to the I/O module” on page 856.
4. Use a serial cable to connect to the I/O module to further isolate the problem. You can also link to the I/O module through an external Ethernet port.

One or more compute nodes are unable to communicate with SAN

Use the information in this section to troubleshoot one or more compute nodes are unable to communicate with SAN.

Complete the following steps until the problem is solved:

1. Make sure that:
 - a. The I/O module is powered on and the appropriate ports are enabled on the I/O module.
 - b. The CMM has reported that the I/O module has completed POST and that no errors have been reported in the logs.
 - c. The SAN device is powered on and is functional.

- d. All cables between the I/O module and the SAN device are properly connected and secure, and that the activity LEDs are lit on the appropriate ports.
2. See the documentation for the I/O module for additional information about troubleshooting SAN connectivity or network connectivity issues.

Cannot connect to the data network (Ethernet)

Use the information in this section to troubleshoot the compute node when you cannot connect to the data network (Ethernet).

One compute node is unable to connect to the data network (Ethernet) during initial setup

Use the information in this section to troubleshoot one compute node is unable to connect to the data network (Ethernet) during initial setup.

Complete the following steps until the problem is solved:

1. Make sure that:
 - a. The I/O module is powered on and the appropriate ports are enabled on the I/O module.
 - b. All cables between the I/O module and the network device (switch or router) are properly connected and secure, and that the activity LEDs are lit on the appropriate ports.
2. From the compute node operating system, verify the network settings, such as IP address, subnet mask (if using IPv4), DHCP settings, and vLAN settings, to ensure that the settings match the settings of the network device. See the documentation for the operating system for information about checking network settings.
3. From the compute node operating system, make sure that the network device is active. See the documentation for the operating system for information about viewing network devices.
4. Make sure that the proper device drivers are installed for the compute node Ethernet device.
5. Check the Lenovo support Web site for any firmware updates that might apply to this issue. You can view the release notes for a firmware update to determine the issues addressed by the update.
6. Remove the compute node from the chassis and check the connectors at the back of the node for bent pins. If the pins are bent, contact Lenovo Support. See "Removing a compute node from a chassis" on page 874.
7. Install the compute node in another compute node bay to see if the problem persists. See "Installing a compute node in a chassis" on page 875. If the problem persists, make sure that this compute node is connected to a port that has been enabled and that the vLAN settings enable that port to connect to the network.
8. Check the Lenovo support Web site for any service bulletins that are related to network connectivity.
9. (Trained service technician only) Perform the following steps:
 - a. Force the Link/duplex speed.
 - b. Check the connectors on the I/O module to ensure that there are no bent pins.
 - c. Check the connectors on the chassis midplane to ensure there are no bent pins. See the "Flex System Enterprise Chassis Types 8721, 8724, and 8725: Installation and Service Guide" at http://pic.dhe.ibm.com/infocenter/flexsys/information/topic/com.lenovo.acc.8721.doc/product_page.html.
 - d. Remove the I/O module and install a working I/O module in the same I/O module bay.
 - e. If the problem is resolved, replace the I/O module that you removed.

One compute node experiences a sudden loss of network (Ethernet) connectivity

Use the information in this section to troubleshoot one compute node experiences a sudden loss of network (Ethernet) connectivity.

The event is logged in the event log. See the event log for the management node (if installed) or see the event log of the CMM to determine what actions might be required to resolve this issue. See “IMM event log” on page 64.

Two or more compute nodes are unable to connect to the data network (Ethernet) during initial setup

Use the information in this section to troubleshoot two or more compute nodes are unable to connect to the data network (Ethernet) during initial setup.

Complete the following steps until the problem is solved:

1. If you have just updated the firmware for one or more devices in the chassis (I/O module, CMM, etc), install the previous level of firmware.
2. Make sure that:
 - a. The I/O module is powered on and the appropriate ports are enabled on the I/O module.
 - b. All cables between the I/O module and the network device (switch or router) are properly connected and secure, and that the activity LEDs are lit on the appropriate ports.
3. From the compute node operating system, verify the network settings, such as IP address, subnet mask (if using IPv4), DHCP settings, and vLAN settings, to ensure that the settings match the settings of the network device. See the documentation for the operating system for information about checking network settings.
4. From the compute node operating system, make sure that the network device is active. See the documentation for the operating system for information about viewing network devices.
5. Check the Lenovo support Web site for any firmware updates that might apply to this issue. You can view the release notes for a firmware update to determine the issues addressed by the update.
6. Check the Lenovo support Web site for any service bulletins that are related to network connectivity.
7. (Trained service technician only) Perform the following steps:
 - a. Force the Link/duplex speed.
 - b. Check the connectors on the I/O module to ensure that there are no bent pins.
 - c. Check the connectors on the chassis midplane to ensure there are no bent pins. See the "Flex System Enterprise Chassis Types 8721, 8724, and 8725: Installation and Service Guide" at http://pic.dhe.ibm.com/infocenter/flexsys/information/topic/com.lenovo.acc.8721.doc/product_page.html.
 - d. Remove the I/O module and install a working I/O module in the same I/O module bay.
 - e. If the problem is resolved, replace the I/O module that you removed.

Two or more compute nodes experience a sudden loss of network (Ethernet) connectivity

Use the information in this section to troubleshoot two or more compute nodes experience a sudden loss of network (Ethernet) connectivity.

The event is logged in the event log. See the event log for the management node (if installed) or see the event log of the CMM to determine what actions might be required to resolve this issue. See “IMM event log” on page 64.

Cannot log in

Use the information in this section to troubleshoot the compute node when you cannot log in to the management node, the CMM, or the I/O module.

Cannot log in to the Flex System Manager management node

Use the information in this section to troubleshoot the compute node when you cannot log in to the optional management node.

Complete the following steps until the problem is solved:

1. Make sure that you are using the correct password and that the capitals lock is off.
2. Contact Lenovo Support for further assistance if you have forgotten the password.

For additional information about Login problems, see Login problems at http://pic.dhe.ibm.com/infocenter/flexsys/information/index.jsp?topic=%2Fcom.ibm.acc.8731.doc%2Ftroubleshooting_web_interface_problems.html in the "Lenovo Flex System Chassis Management Module 2 User's Guide".

Cannot log in to the CMM

Use the information in this section to troubleshoot the compute node when you cannot log in to the CMM.

Complete the following steps until the problem is solved:

1. Make sure that you are using the correct password and that the capitals lock is off.
2. Restore the CMM default settings by pressing the reset button on the CMM.

Cannot log in to the I/O module

Use the information in this section to troubleshoot the compute node when you cannot log in to the I/O module.

Complete the following steps until the problem is solved:

1. Make sure that you are using the correct password and that the capitals lock is off.
2. Contact Lenovo Support for further assistance if you have forgotten the password.

Cannot ping the CMM on the management network

Use the information in this section to troubleshoot the compute node when one or more compute nodes cannot ping the CMM on the management network.

Single node cannot ping the CMM in the same chassis

Use the information in this section to troubleshoot a single compute node that cannot ping the CMM on the management network in the same chassis.

Complete the following steps until the problem is solved:

1. Make sure that the Chassis Management Module is powered on and the applicable ports are enabled on the CMM.
2. Make sure that the compute node IMM has acquired an IP address from the CMM by using the Setup utility on the node.

Note: If the CMM recently lost connection to the DHCP server, you must reset the IMM by using the CMM interface so that a new IP address can be acquired.

3. In the CMM user interface, click **Chassis Management > Component IP Configuration** and make sure that the IP address that is listed is the same as the IP address that is displayed in the Setup utility. If it is not the same IP address, configure the IMM network settings correctly or reset the IMM to automatically acquire a new IP address.
4. Check <http://www.lenovo.com/support> for any firmware updates that might apply to this problem. You can view the release notes for a firmware update to determine the issues that the update addresses.
5. Remove the compute node from the chassis and check the connectors on the back of the node for bent pins. If the pins are bent, contact Lenovo Support.
6. Install the compute node in another node bay to determine whether the problem remains. If the problem remains, make sure that the compute node is connected to a port that has been enabled and that the vLAN settings allow that port to connect to the network.

7. Check <http://www.lenovo.com/support> for any service bulletins that are related to network connectivity.
8. (Trained service technician only) Complete the following steps:
 - a. Force the link/duplex speed.
 - b. Check the connectors on the I/O module to make sure that no pins are bent.
 - c. Check the connectors on the chassis midplane to make sure that no pins are bent.
 - d. Remove the CMM and install a working CMM in the same bay.
 - e. If the problem is solved, replace the CMM that you removed.

Multiple nodes cannot ping the CMM in the same chassis

Use the information in this section to troubleshoot multiple nodes that cannot ping the CMM on the management network in the same chassis.

Complete the following steps until the problem is solved:

1. Make sure that the Chassis Management Module is powered on and the applicable ports are enabled on the CMM. If the CMM is hung, reset the CMM.
2. Reset the CMM.
3. Check for firmware updates for the CMM.
4. Reset the CMM to factory defaults and attempt to discover the nodes again. Allow enough time for the IMMs to acquire a network address.
5. Replace the CMM.
6. Make sure that the compute node IMM has acquired an IP address from the CMM by using the Setup utility on the node.

Note: If the CMM recently lost connection to the DHCP server, you must reset the IMM by using the CMM interface so that a new IP address can be acquired.

7. In the CMM user interface, click **Chassis Management > Component IP Configuration** and make sure that the IP address that is listed is the same as the IP address that is displayed in the Setup utility. If it is not the same IP address, configure the IMM network settings correctly or reset the IMM to automatically acquire a new IP address.
8. Check <http://www.lenovo.com/support> for any firmware updates that might apply to this problem. You can view the release notes for a firmware update to determine the issues that the update addresses.
9. Remove the compute node from the chassis and check the connectors on the back of the node for bent pins. If the pins are bent, contact Lenovo Support.
10. Check <http://www.lenovo.com/support> for any service bulletins that are related to network connectivity.
11. (Trained service technician only) Complete the following steps:
 - a. Force the link/duplex speed.
 - b. Check the connectors on the CMM to make sure that no pins are bent.
 - c. Check the connectors on the chassis midplane to make sure that no pins are bent.
 - d. Remove the CMM and install a working CMM in the same bay.
 - e. If the problem is solved, replace the CMM that you removed.

CMM cannot ping the CMM in a different chassis

Use the information in this section to troubleshoot a CMM that cannot ping the CMM in a different chassis.

Complete the following steps until the problem is solved:

1. Make sure that the Chassis Management Modules are powered on and the applicable ports are enabled.
 - a. If the CMM is powered on and hung, reset the CMM.

- b. Make sure that the IMM, the management node, and the CMMs are all on the same subnet.
2. Verify that the cables between the CMMs and the top-of-rack switch are correctly connected and that the activity LEDs are lit on the applicable ports.
3. Make sure that the management node has a correct IP address and is on the same subnet as the CMMs.
4. Make sure that the compute node IMM has acquired an IP address from the CMM by using the Setup utility on the node.

Note: If the CMM recently lost connection to the DHCP server, you must reset the IMM by using the CMM interface so that a new IP address can be acquired.

5. In the CMM user interface, click **Chassis Management > Component IP Configuration** and make sure that the IP address that is listed is the same as the IP address that is displayed in the Setup utility. If it is not the same IP address, configure the IMM network settings correctly or reset the IMM to automatically acquire a new IP address.
6. Check <http://www.lenovo.com/support> for any firmware updates that might apply to this problem. You can view the release notes for a firmware update to determine the issues that the update addresses.
7. Check <http://www.lenovo.com/support> for any service bulletins that are related to network connectivity.
8. Remove the compute node from the chassis and check the connectors on the back of the node and on the midplane for bent pins. If the pins are bent, contact Lenovo Support.
9. (Trained service technician only) Complete the following steps:
 - a. Force the link/duplex speed.
 - b. Check the connectors on the nodes and on the midplane to make sure that no pins are bent.
 - c. Replace the I/O expansion card in the management node.
 - d. Replace the management node.

Cannot ping the I/O module

Use the information in this section to troubleshoot the compute node when one or more compute nodes cannot ping the I/O module.

Single node cannot ping the I/O module

Use the information in this section to troubleshoot a single compute node that cannot ping the I/O module.

Complete the following steps until the problem is solved:

1. If you have recently updated the firmware for one or more devices in the chassis (I/O module) and have verified the network settings, install the previous level of firmware.
2. Make sure that the I/O module is powered on and the applicable ports are enabled on the I/O module.
3. Make sure that all network cables are correctly connected and that the activity LEDs are lit. If the cables are correctly connected and the LEDs are not lit, replace the cable.
4. Check <http://www.lenovo.com/support> for any firmware updates that might apply to this problem. You can view the release notes for a firmware update to determine the issues that are addressed by the update.
5. Remove the node from the chassis and check the connectors at the back of the node for bent pins. If the pins are bent, go to <http://www.lenovo.com/support> to submit a service request.
6. Install the compute node in another node bay, if one is available. If the problem remains, make sure that the compute node is connected to a port that has been enabled and that the vLAN settings allow that port to connect to the network.
7. Check <http://www.lenovo.com/support> for any service bulletins that are related to I/O-module connectivity.

8. If the problem remains, replace the I/O module, and go to <http://www.lenovo.com/support> to submit a service request.
9. (Trained service technician only) Complete the following steps:
 - a. Force the link/duplex speed.
 - b. Check the connectors on the I/O module to make sure that no pins are bent.
 - c. Check the connectors on the chassis midplane to make sure that no pins are bent.
 - d. Remove the I/O module and install a working I/O module in the same I/O bay.
 - e. If the problem is solved, replace the I/O module that you removed.

Multiple nodes cannot ping the I/O module

Use the information in this section to troubleshoot multiple nodes that cannot ping the I/O module.

Complete the following steps until the problem is solved:

1. If you have recently updated the firmware for one or more devices in the chassis (I/O module or CMM), install the previous level of firmware.
2. Make sure that the I/O module is powered on and the applicable ports are enabled on the I/O module.
3. Make sure that all network cables are correctly connected and that the activity LEDs are lit.
4. From the compute node operating system, verify that the network device is active. Check also the network settings, such as IP address, subnet mask (if you are using IPv4), DNS, DHCP settings, and vLAN settings to make sure that the settings match the settings of the network device. See the documentation that comes with the operating system for information about viewing network devices and checking the network settings.
5. Check <http://www.lenovo.com/support> for any firmware updates that might apply to this problem. You can view the release notes for a firmware update to determine the issues that are addressed by the update.
6. Check <http://www.lenovo.com/support> for any service bulletins that are related to network connectivity.
7. (Trained service technician only) Complete the following steps:
 - a. Force the link/duplex speed.
 - b. Check the connectors on the I/O module to make sure that no pins are bent.
 - c. Check the connectors on the chassis midplane to make sure that no pins are bent.
 - d. Remove the I/O module and install a working I/O module in the same I/O bay.
 - e. If the problem is solved, replace the I/O module that you removed.

Cannot ping the Flex System Manager management node on the data network

Use the information in this section to troubleshoot the compute node when one or more compute nodes cannot ping the optional management node on the data network.

Single node cannot ping the management node in the same chassis

Use the information in this section to troubleshoot a single compute node that cannot ping the optional Flex System Manager management node in the same chassis on the data network.

Complete the following steps until the problem is solved:

1. Make sure that the management node is powered on and is not hung, by logging in to the management node. If you are unable to log in from the management network, attempt to log in from the data network. If the management node is powered on and hung, perform a virtual reset of the management node from the CMM.

2. Make sure that the I/O module is powered on and is not hung, by pinging the I/O module from the management node. If the I/O module is powered on and hung, reset the I/O module. Make sure that the correct ports are enabled for the node on the I/O module.
3. Make sure that the compute node is the only one in the chassis that the management node cannot ping. If it is not, follow the steps in “Multiple nodes cannot ping the management node in the same chassis” on page 860.
4. Make sure that the configuration settings in the node are correct and that the port is enabled.
5. Check <http://www.lenovo.com/support> for any firmware updates that might apply to this issue. You can view the release notes for a firmware update to determine the issues that are addressed by the update.
6. Check <http://www.lenovo.com/support> for any service bulletins that are related to network connectivity.
7. Remove the compute node and make sure that the connectors on the midplane and the node are not damaged.
8. (Trained service technician only) Complete the following steps:
 - a. Force the link/duplex speed.
 - b. Check the connectors on the node and the midplane to make sure that no pins are bent.

Single node cannot ping the management node in a different chassis

Use the information in this section to troubleshoot a single compute node that cannot ping the optional Flex System Manager management node in a different chassis on the data network.

Complete the following steps until the problem is solved:

1. Make sure that the management node is powered on and is not hung, by logging in to the management node. If you are unable to log in from the management network, attempt to log in from the data network. If the management node is powered on and hung, perform a virtual reset of the management node from the CMM.
2. Make sure that the I/O module is powered on and is not hung, by pinging the I/O module from the management node. If the I/O module is powered on and hung, reset the I/O module. Make sure that the correct ports are enabled for the node on the I/O module.
3. Make sure that the compute node is the only one in the chassis that the management node cannot ping. If it is not, follow the steps in “Multiple nodes cannot ping the management node in the same chassis” on page 860.
4. Make sure that the IP configuration settings on the node are correct and that the port is enabled.
5. Check <http://www.lenovo.com/support> for any firmware updates that might apply to this issue. You can view the release notes for a firmware update to determine the issues that are addressed by the update.
6. Check <http://www.lenovo.com/support> for any service bulletins that are related to network connectivity.
7. Remove the compute node and make sure that the connectors on the midplane and the node are not damaged.
8. (Trained service technician only) Complete the following steps:
 - a. Force the link/duplex speed.
 - b. Check the connectors on the node and the midplane to make sure that no pins are bent.

Multiple nodes cannot ping the management node in the same chassis

Use the information in this section to troubleshoot multiple nodes that cannot ping the optional Flex System Manager management node in the same chassis on the data network.

Complete the following steps until the problem is solved:

1. Make sure that the management node is powered on and is not hung, by logging in to the management node. If you are unable to log in from the management network, attempt to log in from the data network.

If the management node is powered on and hung, perform a virtual reseal of the management node from the CMM.

2. Make sure that the I/O module is powered on and is not hung, by pinging the I/O module from the management node. If the I/O module is powered on and hung, reset the I/O module. Make sure that the correct ports are enabled for the node on the I/O module.
3. Make sure that the management network port (eth1) is enabled in the management node. Make sure that the port configuration settings are correct for the data network.
4. Make sure that the configuration settings for each node are correct and that the data network ports are enabled.
5. Make sure that the configuration settings in the I/O module are correct and that the appropriate ports are enabled for your compute nodes and the management node on the I/O module. If the problem remains, complete the following steps:
 - a. Restart the I/O module.
 - b. Check <http://www.lenovo.com/support> for any firmware updates that might apply to this issue. You can view the release notes for a firmware update to determine the issues that are addressed by the update.
 - c. Perform a virtual reseal of the I/O module.
 - d. Replace the I/O module.
6. Check <http://www.lenovo.com/support> for any service bulletins that are related to network connectivity.
7. Remove the management node and make sure that the connectors on the midplane and the management node are not damaged.
8. (Trained service technician only) Complete the following steps:
 - a. Force the link/duplex speed.
 - b. Check the connectors on the nodes and the midplane to make sure that no pins are bent.
 - c. Replace the I/O expansion card in the management node.

Multiple nodes cannot ping the management node in a different chassis

Use the information in this section to troubleshoot multiple nodes that cannot ping the optional Flex System Manager management node in a different chassis on the data network.

Complete the following steps until the problem is solved:

1. Make sure that the management node is powered on and is not hung, by logging in to the management node. If you are unable to log in from the management network, attempt to log in from the data network. If the management node is powered on and hung, perform a virtual reseal of the management node from the CMM.
2. Make sure that the I/O module is powered on and is not hung, by pinging the I/O module from the management node. If the I/O module is powered on and hung, reset the I/O module. Make sure that the correct ports are enabled for the node on the I/O module.
3. Make sure that the management network port (eth1) in the management node is enabled. Make sure that the port configuration settings are correct for the data network.
4. Make sure that the configuration settings for each node are correct and that the data network ports are enabled.
5. Make sure that the configuration settings in the I/O module are correct and that the applicable ports are enabled for your compute nodes and the management node on the I/O module. If the problem remains, complete the following steps:
 - a. Restart the I/O module.

- b. Check <http://www.lenovo.com/support> for any firmware updates that might apply to this issue. You can view the release notes for a firmware update to determine the issues that are addressed by the update.
 - c. Perform a virtual reset of the I/O module.
 - d. Replace the I/O module.
6. Check <http://www.lenovo.com/support> for any service bulletins that are related to network connectivity.
 7. Remove the management node and make sure that the connectors on the midplane and the node are not damaged.
 8. (Trained service technician only) Complete the following steps:
 - a. Force the link/duplex speed.
 - b. Check the connectors on the nodes and the midplane to make sure that no pins are bent.
 - c. Replace the I/O expansion card in the management node.

Multiple nodes cannot ping the management node in the same chassis or a different chassis

Use the information in this section to troubleshoot multiple nodes that cannot ping the optional Flex System Manager management node in the same chassis or a different chassis on the data network.

Complete the following steps until the problem is solved:

1. Follow the steps in “Multiple nodes cannot ping the management node in the same chassis” on page 860.
2. Follow the steps in “Multiple nodes cannot ping the management node in a different chassis” on page 861.

Cannot ping the Flex System Manager management node on the management network

Use the information in this section to troubleshoot the compute node when one or more compute nodes cannot ping the optional management node on the management network.

Single node cannot ping the management node in the same chassis

Use the information in this section to troubleshoot a single compute node that cannot ping the optional Flex System Manager management node in the same chassis on the management network.

Complete the following steps until the problem is solved:

1. Make sure that the management node is powered on and is not hung, by logging in to the management node. If you are unable to log in from the management network, attempt to log in from the data network. If the management node is powered on and hung, perform a virtual reset of the management node from the CMM.
2. Make sure that the CMM is powered on and is not hung, by pinging the CMM from the management node. If the CMM is powered on and hung, reset the CMM. Make sure that the IMM, the management node, and CMM are all on the same subnet.
3. Make sure that the compute node is the only one in the chassis that the management node cannot ping. If it is not, follow the steps in “Multiple nodes cannot ping the management node in the same chassis” on page 864. Make sure that the compute node appears on the chassis map (it might not be fully discovered by the management node software).
4. Make sure that the system-management processor in each compute node has a valid IP address by checking the chassis map of the remote chassis.

Note: If the CMM recently lost connection to the DHCP server, you must reset the IMM by using the CMM interface so that a new IP address can be acquired.

5. In the CMM user interface, click **Chassis Management > Component IP Configuration** and make sure that the IP address that is listed is the same as the IP address that is displayed in the Setup utility. If it is not the same, configure the IMM network settings correctly.
6. Check <http://www.lenovo.com/support> for any firmware updates that might apply to this issue. You can view the release notes for a firmware update to determine the issues that are addressed by the update.
7. Check <http://www.lenovo.com/support> for any service bulletins that are related to network connectivity.
8. Remove the compute node and make sure that the connectors on the midplane and the node are not damaged.
9. (Trained service technician only) Complete the following steps:
 - a. Force the link/duplex speed.
 - b. Check the connectors on the node and the midplane to make sure that no pins are bent.
 - c. Replace the system-board assembly (see “Removing and replacing the system-board assembly” on page 943).

Single node cannot ping the management node in a different chassis

Use the information in this section to troubleshoot a single compute node that cannot ping the optional Flex System Manager management node in a different chassis on the management network.

Complete the following steps until the problem is solved:

1. Make sure that the management node is powered on and is not hung, by logging in to the management node. If you are unable to log in from the management network, attempt to log in from the data network. If the management node is powered on and hung, perform a virtual reset of the management node from the CMM.
2. Make sure that the CMM is powered on and is not hung, by pinging the CMM from the management node:
 - a. If the CMM is powered on and hung, reset the CMM
 - b. Make sure that the IMM, the management node, and CMM are all on the same subnet.
3. Make sure that the compute node is the only one in the chassis that the management node cannot ping. If it is not, follow the steps in “Multiple nodes cannot ping the management node in the same chassis” on page 864. Make sure that the compute node appears on the chassis map (it might not be fully discovered by the management node software).
4. Make sure that the IMM has acquired an IP address from the CMM by using the Setup utility on the compute node.

Note: If the CMM recently lost connection to the DHCP server, you must reset the IMM by using the CMM interface so that a new IP address can be acquired.

5. Make sure that the system-management processor in each compute node has a valid IP address by checking the chassis map of the remote chassis.

Note: If the CMM recently lost connection to the DHCP server, you must reset the IMM by using the CMM interface so that a new IP address can be acquired.

6. Check <http://www.lenovo.com/support> for any firmware updates that might apply to this issue. You can view the release notes for a firmware update to determine the issues that are addressed by the update.
7. Check <http://www.lenovo.com/support> for any service bulletins that are related to network connectivity.
8. Remove the compute node and make sure that the connectors on the midplane and the node are not damaged.
9. (Trained service technician only) Check the connectors on the node and the midplane to make sure that no pins are bent.

Multiple nodes cannot ping the management node in the same chassis

Use the information in this section to troubleshoot multiple nodes that cannot ping the optional Flex System Manager management node in the same chassis on the management network.

Complete the following steps until the problem is solved:

1. Make sure that the management node is powered on and is not hung, by logging in to the management node. If you are unable to log in from the management network, attempt to log in from the data network. If the management node is powered on and hung, perform a virtual reset of the management node from the CMM.
2. Make sure that the CMM is powered on and is not hung, by pinging the CMM from the management node:
 - a. If the CMM is powered on and hung, reset the CMM.
 - b. Make sure that the IMM, the management node, and CMM are all on the same subnet.
3. Make sure that the management network port (eth0) in the management node is enabled.
4. Make sure that the management node has an IP address, is on the same subnet as the CMM, and is able to ping the CMM.
5. Make sure that the system-management processor in each compute node has a valid IP address by checking the chassis map of the remote chassis.

Note: If the CMM recently lost connection to the DHCP server, you must reset the IMM by using the CMM interface so that a new IP address can be acquired.

If a system-management processor does not have a valid IP address, complete the following steps:

- a. Restart the CMM.
 - b. Check <http://www.lenovo.com/support> for any firmware or software updates that might apply to this issue. You can view the release notes for a firmware update to determine the issues that are addressed by the update.
 - c. Remove and reinstall CMM.
 - d. Replace the CMM.
6. Check <http://www.lenovo.com/support> for any service bulletins that are related to network connectivity.
 7. Remove the management node and make sure that the connectors on the midplane and the management node are not damaged.
 8. (Trained service technician only) Complete the following steps:
 - a. Force the link/duplex speed.
 - b. Check the connectors on the nodes and the midplane to make sure that no pins are bent.
 - c. Replace the I/O expansion card in the management node.
 - d. Replace the management node.

Multiple nodes cannot ping the management node in a different chassis

Use the information in this section to troubleshoot multiple nodes that cannot ping the optional Flex System Manager management node in a different chassis on the management network.

Complete the following steps until the problem is solved:

1. Make sure that the management node is powered on and is not hung, by logging in to the management node. If you are unable to log in from the management network, attempt to log in from the data network. If the management node is powered on and hung, perform a virtual reset of the management node from the CMM.
2. Make sure that the CMM is powered on and is not hung by pinging the CMM from the management node:

- a. If the CMM is powered on and hung, reset the CMM.
- b. Make sure that the IMM, the management node, and the CMM are all on the same subnet.
3. Make sure that all cables between the CMMs and the top-of-rack switch are correctly connected and secure and that the activity LEDs are lit on the applicable ports
4. Make sure that the CMMs (the CMM in the same chassis as the management node and the CMM in the remote chassis) have the same subnet address and can ping one another. If they cannot, make sure that the ports on the top-of-rack switch are enabled. Attempt to connect the CMMs directly if possible.
5. Make sure that the management node has fully discovered the nodes within its chassis by viewing the chassis map. If it has not fully discovered the nodes, follow the steps in “Multiple nodes cannot ping the management node in the same chassis” on page 864.
6. Make sure that the management processor for each compute node has a valid IP address by checking the chassis map of the remote chassis.

Note: If the CMM recently lost connection to the DHCP server, you must reset the IMM by using the CMM interface so that a new IP address can be acquired.

If a system-management processor does not have a valid IP address, complete the following steps:

- a. Restart the CMM in the remote chassis.
- b. Check <http://www.lenovo.com/support> for any firmware or software updates that might apply to this issue. You can view the release notes for a firmware update to determine the issues that are addressed by the update.
- c. Remove and reinstall CMM.
- d. Replace the CMM.
7. Check <http://www.lenovo.com/support> for any service bulletins that are related to network connectivity.
8. Remove the node and make sure that the connectors on the midplane and the node are not damaged.
9. (Trained service technician only) Complete the following steps:
 - a. Force the link/duplex speed.
 - b. Check the connectors on the nodes and the midplane to make sure that no pins are bent.
 - c. Replace the I/O expansion card in the management node.

Multiple nodes cannot ping the management node in the same chassis or a different chassis

Use the information in this section to troubleshoot multiple nodes that cannot ping the optional Flex System Manager management node in the same chassis or a different chassis on the management network.

Complete the following steps until the problem is solved:

1. Follow the steps in “Multiple nodes cannot ping the management node in the same chassis” on page 864.
2. Follow the steps in “Multiple nodes cannot ping the management node in a different chassis” on page 864.

Hard disk drive problems

Use this information to resolve hard disk drive problems.

Compute node fails to recognize one drive

Complete the following steps until the problem is solved.

1. Verify that the drive is supported for this compute node. See <http://www.lenovo.com/serverproven/> for a list of supported hard drives.

2. Make sure that the drive is seated in the drive bay properly and that there is no physical damage to the drive connectors.
3. Run the DSA SAS Fixed Disk or SAS Attached Disk diagnostic tests (see “Lenovo Dynamic System Analysis ” on page 66).
 - a. If the drive fails the diagnostic test, replace the drive.
 - b. If the drive passes the diagnostic tests but is still not recognized, complete the following steps:
 - 1) Replace the drive.
 - 2) Replace the hard drive backplane (see “Removing a hard disk drive backplane” on page 905 and “Installing a hard disk drive backplane” on page 906).
 - 3) Replace the system-board assembly (see “Removing and replacing the system-board assembly” on page 943).

Intermittent problems

Use this information to solve intermittent problems.

Intermittent external device problems

Complete the following steps until the problem is solved.

1. Make sure that the correct device drivers are installed. See the manufacturer's website for documentation.
2. For a USB device:
 - a. Make sure that the device is configured correctly (see “Using the Setup utility” on page 24).
 - b. Connect the device to another port. If using a USB hub, remove the hub and connect the device directly to the compute node. Make sure that the device is configured correctly for the port (see “Using the Setup utility” on page 24).
 - c. Run DSA Preboot USB diagnostics (see “Lenovo Dynamic System Analysis ” on page 66).

Intermittent KVM problems

Complete the following steps until the problem is solved.

Video problems:

1. Make sure that all cables and the console breakout cable are properly connected and secure.
2. Make sure that the monitor is working properly by testing it on another compute node.
3. Test the console breakout cable on a working compute node to ensure that it is operating properly. Replace the console breakout cable if it is defective.

Keyboard problems:

Make sure that all cables and the console breakout cable are properly connected and secure.

Mouse problems:

Make sure that all cables and the console breakout cable are properly connected and secure.

Intermittent unexpected reboots

Check for an event code that indicates a reboot. See the event log for the management node (if installed) or see the event log of the CMM to determine what actions might be required to resolve this issue. See “IMM event log” on page 64. Some correctable errors require that the compute node reboot so that it can disable a device, such as a memory DIMM or a microprocessor to allow the machine to boot up properly.

Intermittent connectivity problems

Use this information to solve intermittent connectivity problems.

Single compute node cannot connect intermittently

Complete the following steps until the problem is solved.

1. Make sure that the network cables are correctly connected in the switch module ports and the switch module is correctly seated.
2. Update the NIC device driver, or the storage device controller device driver.
3. See the documentation for the I/O module for resolving connectivity issues.

Two or more compute nodes cannot connect intermittently

Complete the following steps until the problem is solved.

1. Using the diagnostic tools that are provided by the device manufacturer, test the I/O module that the devices are connected to.
2. Attempt to connect one compute node to the network first, and connect other compute nodes, one by one, to try to isolate the problem.
3. Update the I/O module firmware, if necessary.

Note: Restarting the compute node and running POST diagnostics on the I/O module might also help isolate the problem; however, this might have other ramifications to the network.

Memory problems

Use this information to solve memory problems.

The amount of system memory that is displayed is less than the amount of installed physical memory

Complete the following steps until the problem is solved.

1. Make sure that:
 - a. You have installed the correct type of memory (see “Installing a DIMM ” on page 897).
 - b. Memory mirroring or memory sparing mode does not account for the discrepancy. You can check the memory configuration in the Setup utility (see “Using the Setup utility” on page 24).
2. If new memory has recently been installed, make sure that no configuration events are reported in the event log. If there are any events, resolve them.

Note: DIMMs are verified as authentic Lenovo or IBM modules by the UEFI software. If any non-authentic DIMMs are detected, an informational message appears in the system event log and memory performance might be limited. Non-authentic DIMMs are not covered by your Lenovo warranty.

3. If the compute node was recently installed, moved, or serviced, make sure that the DIMMs are correctly seated in the connectors (see “Installing a DIMM ” on page 897).
4. Make sure that all DIMMs are enabled. The compute node might have automatically disabled a DIMM when it detected a problem, or a DIMM might have been manually disabled (see “Using the Setup utility” on page 24).
5. Run memory diagnostics (see “Lenovo Dynamic System Analysis ” on page 66).
6. Remove DIMMs until the compute node is showing the correct amount of memory. Install one DIMM at a time until you can determine which DIMM is not working properly. Remove that DIMM and replace it with a good DIMM (see “Removing a DIMM” on page 895 and “Installing a DIMM ” on page 897).

Note: After you install or remove a DIMM, you must change and save the new configuration information by using the Setup utility. When you turn on the compute node, a message indicates that the memory

configuration has changed. Start the Setup utility and select **Save Settings** (see “Using the Setup utility” on page 24 for more information) to save changes.

7. If the problem remains, contact Lenovo Support.

Observable problems

Use this information to solve observable problems.

Compute node is unresponsive (POST is complete and operating system is running)

Complete the following steps until the problem is solved.

If you are in the same location as the compute node, complete the following steps:

1. If you are using a KVM connection, make sure that the connection is operating correctly. Otherwise, make sure that the keyboard and mouse are operating correctly.
2. If possible, log in to the compute node and verify that all applications are running (no applications are hung).
3. Restart the compute node.
4. If the problem remains, make sure that any new software has been installed and configured correctly.
5. Contact your place of purchase of the software or your software provider.

If you are accessing the compute node from a remote location, complete the following steps:

1. Make sure that all applications are running (no applications are hung).
2. Attempt to log out of the system and log back in.
3. Validate the network access by pinging or running a trace route to the compute node from a command line.
 - a. If you are unable to get a response during a ping test, attempt to ping another compute node in the chassis to determine whether it is a connection problem or compute node problem.
 - b. Run a trace route to determine where the connection breaks down. Attempt to resolve a connection issue with either the VPN or the point at which the connection breaks down.
4. Restart the compute node remotely through the management interface.
5. If the problem remains, verify that any new software has been installed and configured correctly.
6. Contact your place of purchase of the software or your software provider.

Unusual smell

Complete the following steps until the problem is solved.

1. An unusual smell might be coming from newly installed equipment.
2. If the problem remains, contact Lenovo Support.

Compute node seems to be running hot

Complete the following steps until the problem is solved.

Multiple compute nodes or chassis:

1. Make sure that the room temperature is within the specified range (see “Features and specifications” on page 4).
2. Check the Flex System Manager management software (if installed) or CMM log for rising temperature events. If there are no events, the compute node is running within normal operating temperatures. Note that you can expect some variation in temperature.

Single compute node:

Check the Flex System Manager management software (if installed) or CMM log for rising temperature events. If there are no events, the compute node is running within normal operating temperatures. Note that you can expect some variation in temperature.

Cracked parts or cracked chassis

Contact Lenovo Support.

Optional device and replaceable component installation problems

Use this information to resolve optional device and replaceable component installation problems.

External USB device not recognized

Complete the following steps until the problem is solved.

1. Make sure that the proper drivers are installed on the compute node. See the product documentation for the USB device for information about device drivers.
2. Use the Setup utility to make sure that the device is configured correctly.
3. If the USB device is plugged into a hub or the console breakout cable, unplug the device and plug it directly into the USB port on the front of the compute node.
4. Run the DSA USB diagnostic tests

PCIe adapters not recognized/functioning

Complete the following steps until the problem is solved.

1. Check the event log and resolve any issues related to the device.
2. See <http://www.lenovo.com/serverproven/> to validate that the adapter is supported.
3. Make sure that the adapter is installed in a correct slot.
4. Make sure that the proper device drivers are installed for the device.
5. Resolve any resource conflicts if running legacy mode (UEFI).
6. Check <http://www.ibm.com> for any service bulletins.
7. Ensure any adapter external connections are correct and that the connectors are not physically damaged.

Performance problems

Use this information to solve performance problems.

Poor or slow network performance

Complete the following steps until the problem is solved.

1. Isolate which network is operating slowly (such as storage, data, and management). You might find it helpful to use ping tools or operating-system tools such as task manager or resource manager.
2. Check for traffic congestion on the network.
3. Update the NIC device driver, or the storage device controller device driver.
4. Use the traffic-diagnostic tools that are provided by the IO-module manufacturer.

Operating system performance

Complete the following steps until the problem is solved.

1. If you have recently made changes to the compute node (for example updated device drivers or installed software applications) remove the changes.
2. Check for any networking issues.
3. Check the operating system logs for performance related errors.
4. Check for events related to high temperatures and power issues as the compute node might be throttled to help with cooling. If it is throttled, reduce the workload on the compute node to help improve performance.
5. Check for events related to disabled DIMMs. If you do not have enough memory for the application workload, your operating system will have poor performance.
6. Ensure that the workload is not too high for the configuration.

Power-on problems

Use this information to resolve power-on problems.

Single node does not power on

Complete the following steps until the problem is solved.

1. If you recently installed, moved, or serviced the computer node, reseat the compute node in the bay. If the compute node was not recently installed, moved, or serviced, perform a virtual reseat through the CMM **service** command. For more information about the CMM **service** command, see the "Flex System Chassis Management Module: Command-Line Interface Reference Guide" at http://pic.dhe.ibm.com/infocenter/flexsys/information/topic/com.lenovo.acc.cmm.doc/cli_command_service.html.
2. Check the event logs for any events that are related to the compute node, and solve them. If an Flex System Manager management node is installed, check the event log on the management node. Otherwise, check the event log on the Chassis Management Module.
3. Make sure that the CMM can recognize the compute node. Log in to the CMM user interface and verify that the compute node appears in the chassis view. If the CMM cannot recognize the compute node, remove the compute node and inspect the compute node and the back of the node bay to make sure there is no physical damage to the connectors.
4. Make sure that the power policy that is implemented on the CMM is sufficient to enable the compute node to power on. You can view the power policy from the CMM **pmpolicy** command and the CMM web interface.
 - For more information about the CMM **pmpolicy** command, see the "Flex System Chassis Management Module: Command-Line Interface Reference Guide" at http://pic.dhe.ibm.com/infocenter/flexsys/information/topic/com.lenovo.acc.cmm.doc/cli_command_pmpolicy.html.
 - From the CMM web interface, select **Power Modules and Management** from the Chassis Management menu. For more information, see the "Flex System Chassis Management Module: User's Guide" at http://pic.dhe.ibm.com/infocenter/flexsys/information/topic/com.lenovo.acc.cmm.doc/cmm_user_guide.html. All fields and options are described in the CMM web interface online help.
5. Make sure that the Flex System Manager management node has completed the discovery of the compute node. Log in to the Flex System Manager user interface and verify that the compute node appears in the chassis view from the CMM.
6. Replace the system-board assembly (see "Removing and replacing the system-board assembly" on page 943).

Note: Until you are able to replace the system-board assembly, you can attempt to power on the compute node from the CMM or from the Flex System Manager user interface.

For additional information, see UEFI Compliant Firmware on System x® and BladeCenter® Servers and the Flex System Quick start guides.

Multiple nodes do not power on

Complete the following steps until the problem is solved.

1. If you recently installed, moved, or serviced the computer nodes, reseal the compute nodes in the bays. If the compute nodes were not recently installed, moved, or serviced, perform a virtual reseal through the CMM **service** command. For more information about the CMM **service** command, see the "Flex System Chassis Management Module: Command-Line Interface Reference Guide" at http://pic.dhe.ibm.com/infocenter/flexsys/information/topic/com.lenovo.acc.cmm.doc/cli_command_service.html.
2. Check the event logs for any events that are related to the compute nodes, and solve them. If an Flex System Manager management node is installed, check the event log on the management node. Otherwise, check the event log on the Chassis Management Module.

Compute node does not power off

Complete the following steps until the problem is solved.

1. Attempt to power off the compute node through the Flex System Manager user interface, if an Flex System Manager management node is installed. Otherwise, attempt to power off the compute node through the CMM user interface.
2. Attempt to restart the system-management processor for the compute node. You can restart the system-management processor through the CMM user interface. Click the compute node in the chassis view and then click **Restart System Mgmt Processor**. After the system-management processor has been restarted, attempt to power off the compute node from the CMM.
3. Attempt to power off the compute node by using the power button on the front of the node.
4. Attempt to reset the compute node from the CMM command-line interface (CLI) by using the **reset** command.
5. Reseat the CMM; then, perform steps 1-5 again.

Software problems

Use this information to solve software problems.

1. To determine whether the problem is caused by the software, make sure that:
 - The compute node has the minimum memory that is needed to use the software. For memory requirements, see the information that comes with the software.

Note: If you have just installed an adapter or memory, the compute node might have a memory-address conflict.

 - The software is designed to operate on the compute node.
 - Other software works on the compute node.
 - The software works on another compute node.
2. If you receive any error messages while you use the software, see the information that comes with the software for a description of the messages and suggested solutions to the problem.
3. Contact your place of purchase of the software.

Undetermined problems

Use this information to solve undetermined problems.

Any undetermined problem

Complete the following steps until the problem is solved.

1. Check the IMM event log and follow the suggested actions to resolve any event codes (see “IMM event log” on page 64).
2. Find the symptoms that you are experiencing in the troubleshooting tables in this section and follow the suggested actions to resolve any problems.
3. If the problem remains, submit a service request (see Appendix A “Getting help and technical assistance” on page 957).

Compute nodes are not discovered by the Flex System Manager management node or the CMM

Complete the following steps until the problem is solved.

1. Make sure that the compute node is recognized by the Flex System Manager management node (if installed) or the CMM. It may appear as an unknown device in the chassis map. If it is not recognized, perform the following steps.
 - a. Remove the compute node and inspect both the compute node and the back of the compute node bay to ensure there is no physical damage to connectors.
 - b. Move the compute node to another bay.
 - c. Replace the system-board assembly (see “Removing and replacing the system-board assembly” on page 943).
2. Make sure that the Flex System Manager management node or the CMM can ping the compute nodes, if they cannot, see “Cannot ping the Flex System Manager management node on the management network” on page 862.
3. If the compute nodes are in another chassis, make sure that you have the proper software entitlements to manage that chassis with the Flex System Manager management node.
4. Check <http://www.lenovo.com/support> for any firmware updates that might apply to this issue. You can view the release notes for a firmware update to determine the issues that are addressed by the update.
5. Check <http://www.lenovo.com/support> for any service bulletins that are related to network connectivity.

Collecting service data

This topic provides information about collecting service data.

You can use the Electronic Service Agent or the first-failure data capture (FFDA) tool to monitor, track, and capture system hardware errors and hardware and software inventory information, and report serviceable problems directly to Lenovo Support. You can also choose to collect data manually. Using the Electronic Service Agent or the FFDA tool, all information sent to Lenovo is encrypted and stored in a secure Lenovo database and used for improved problem determination.

- The Electronic Service Agent is integrated into the Flex System Manager Service and Support Manager and is available if you have installed the Flex System Manager management software. For more information about the Electronic Service Agent and how to set it up, see the documentation at http://pic.dhe.ibm.com/infocenter/flexsys/information/topic/com.ibm.acc.8731.doc/setting_up_electronic_service_agent.html.
- The FFDA tool is integrated into the IMM2. For more information about accessing the IMM2, see Chapter 4 “Accessing the IMM2” on page 41.

Chapter 7. Installing, removing, and replacing compute node components

Use this information to install, remove, and replace replaceable components and optional devices in the compute node.

See Chapter 5 “Parts listing, Types 9532 and 2951” on page 51 to determine whether a component is a consumable part, structural part, Tier 1 CRU, or Tier 2 CRU.

For information about the terms of the warranty and getting service and assistance, see the *Warranty Information* document.

Installing an optional device

Some compute node components are available as both an optional device and a replaceable component. The installation procedure is the same for the optional device and the replaceable component.

Installation guidelines

Before you remove or replace a replaceable component or install an optional device, read the following information:

- Before you begin, read “Safety” on page v and “Handling static-sensitive devices” on page 874. This information will help you work safely.
- When you install your new compute node, take the opportunity to download and apply the most recent firmware updates. This step will help to ensure that any known issues are addressed and that your compute node is ready to function at maximum levels of performance. To download the latest firmware and device drivers, go to <http://www.ibm.com/support/fixcentral> and select **Lenovo Flex System x240 M5 compute node**.
- Observe good housekeeping in the area where you are working. Place removed covers and other parts in a safe place.
- Back up all important data before you make changes to hard disk drives.
- Before you remove a compute node from the Lenovo Flex System chassis, you must shut down the operating system and turn off the compute node. You do not have to shut down the chassis itself.
- Blue on a component indicates touch points, where you can grip the component to remove it from or install it in the compute node, open or close a latch, and so on.
- For a list of supported optional devices for the compute node, see <http://www.lenovo.com/serverproven/>.

System reliability guidelines

Use these guidelines to ensure that the compute node meets the cooling and system reliability requirements:

- The Lenovo Flex System chassis is not operated without a compute node or node bay filler in each node bay. See “Flex System Enterprise Chassis Types 8721, 8724, and 8725: Installation and Service Guide” at http://pic.dhe.ibm.com/infocenter/flexsys/information/topic/com.lenovo.acc.8721.doc/product_page.html for additional information.
- Each microprocessor socket always contains a heat-sink filler or a microprocessor and heat sink. If the compute node has only one microprocessor, it must be installed in microprocessor socket 1.
- The air baffles are installed over the DIMM connectors.

- The ventilation holes on the compute node are not blocked.

Handling static-sensitive devices

To reduce the possibility of damage from electrostatic discharge, observe these precautions.

Attention: Static electricity can damage the compute node and other electronic devices. To avoid damage, keep static-sensitive devices in their static-protective packages until you are ready to install them.

- When you work on a Lenovo Flex System chassis that has an electrostatic discharge (ESD) connector, use a wrist strap, especially when you handle modules, optional devices, or compute nodes. To work correctly, the wrist strap must have a good contact at both ends (touching your skin at one end and firmly connected to the ESD connector on the front or back of the Lenovo Flex System chassis).
- Limit your movement. Movement can cause static electricity to build up around you.
- Handle the device carefully, holding it by its edges or its frame.
- Do not touch solder joints, pins, or exposed circuitry.
- Do not leave the device where others can handle and damage it.
- While the device is still in its static-protective package, touch it to an *unpainted* metal part of the Lenovo Flex System chassis or any *unpainted* metal surface on any other grounded rack component in the rack in which you are installing the device for at least 2 seconds. This drains static electricity from the package and from your body.
- Remove the device from its package and install it directly into the compute node without setting down the device. If it is necessary to set down the device, put it back into its static-protective package. Do not place the device on the compute node cover or on a metal surface.
- Take additional care when you handle devices during cold weather. Heating reduces indoor humidity and increases static electricity.

Returning a device or component

If you are instructed to return a device or component, follow all packaging instructions, and use any packaging materials for shipping that are supplied to you.

Updating the compute node configuration

Use this information to update the compute node configuration.

When the compute node starts for the first time after you add or remove an internal device, you might receive a message that the configuration has changed. The Setup utility automatically starts so that you can save the new configuration settings. See “Using the Setup utility” on page 24 for more information about the Setup utility.

Some devices have device drivers that you must install. See the documentation that comes with each device for information about installing device drivers.

The compute node operates as a symmetric multiprocessing (SMP) compute node, regardless of how many microprocessors are installed. For optimum performance, you must upgrade the operating system to support SMP. See Chapter 3 “Installing the operating system” on page 37 and your operating-system documentation for additional information.

Removing a compute node from a chassis

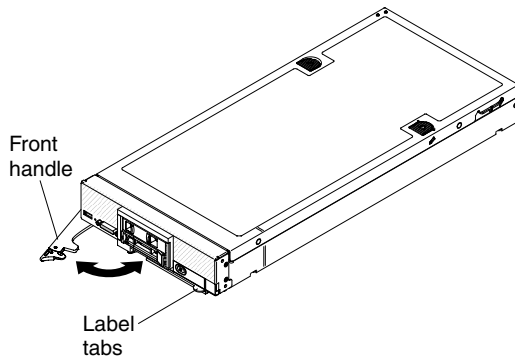
Use this information to remove a compute node from a Lenovo Flex System chassis.

Before you remove a compute node, complete the following steps:

1. Read “Safety” on page v and “Installation guidelines” on page 873.
2. If the compute node is operating, shut down the operating system.
3. Press the power button to turn off the compute node (see “Turning off the compute node” on page 17 for more information).

To remove the compute node from a chassis, complete the following steps:

- Step 1. Open the front handle as shown in the illustration. The compute node moves out of the node bay approximately 0.6 cm (0.25 inch).



Attention:

- To maintain proper system cooling, do not operate the Lenovo Flex System chassis without a compute node or node bay filler installed in each node bay.
- When you remove the compute node, note the node bay number. Reinstalling a compute node into a different node bay from the one it was removed from can have unintended consequences. Some configuration information and update options are established according to node bay number. If you reinstall the compute node into a different node bay, you might have to reconfigure the compute node.

- Step 2. Pull the compute node out of the node bay.

- Step 3. Install either a node bay filler or another compute node in the node bay.

If you are instructed to return the compute node, follow all packaging instructions, and use any packaging materials for shipping that are supplied to you.

Installing a compute node in a chassis

Use this information to install a compute node in a Lenovo Flex System chassis.

Before you install the compute node in a chassis, read “Safety” on page v and “Installation guidelines” on page 873.

Statement 21

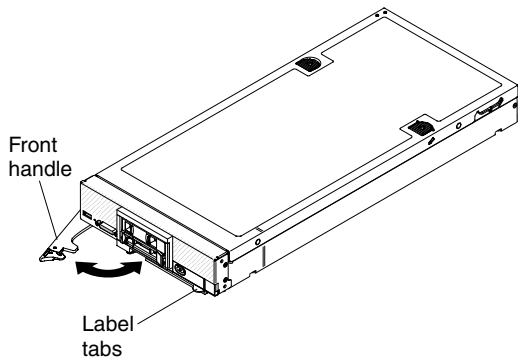


CAUTION:

Hazardous energy is present when the compute node is connected to the power source. Always replace the compute node cover before installing the compute node.

If you are using optional Flex System Manager management software to manage the operating system, you must have a network interface adapter for management network communication. For a list of supported optional devices for the compute node, see <http://www.lenovo.com/serverproven/>.

To install the compute node in a chassis, complete the following steps.



Step 1. Select the node bay.

Notes:

1. If you are reinstalling a compute node that you removed, you must install it in the same node bay from which you removed it. Some compute node configuration information and update options are established according to node bay number. Reinstalling a compute node into a different node bay can have unintended consequences. If you reinstall the compute node into a different node bay, you might have to reconfigure the compute node.
2. To maintain proper system cooling, do not operate the Lenovo Flex System chassis without a compute node, or node bay filler in each node bay.

Step 2. Make sure that the front handle on the compute node is in the open position.

Step 3. Slide the compute node into the node bay until it stops.

Step 4. Push the front handle on the front of the compute node to the closed position.

Note: After the compute node is installed, the IMM2 in the compute node initializes and synchronizes with the Chassis Management Module. The time required for a compute node to initialize varies by system configuration. The power LED flashes rapidly; the power button on the compute node does not respond until the power LED flashes slowly, indicating that the initialization process is complete.

Step 5. Turn on the compute node (see “Turning on the compute node” on page 15 for instructions).

Step 6. Make sure that the power LED on the compute node control panel is lit continuously, indicating that the compute node is receiving power and is turned on.

Step 7. If you have other compute nodes to install, do so now.

Step 8. You can place identifying information on the label tabs that are accessible from the front of the compute node.

Important: If an Attention label is on the front panel of the compute node above the power button, read it; then, remove the label and discard it before turning on the compute node.

If this is the initial installation of the compute node in the chassis, you must configure the compute node through the Setup utility and install the compute node operating system. See for details.

If you have changed the configuration of the compute node or if you are installing a different compute node from the one that you removed, you must configure the compute node through the Setup utility, and you might have to install the compute node operating system (see “Using the Setup utility” on page 24).

Removing and replacing consumable and structural parts

Use this information to remove and replace consumable and structural parts.

Replacement of the consumable and structural parts that are described in this section is your responsibility. If Lenovo installs a consumable and structural part at your request, you will be charged for the installation.

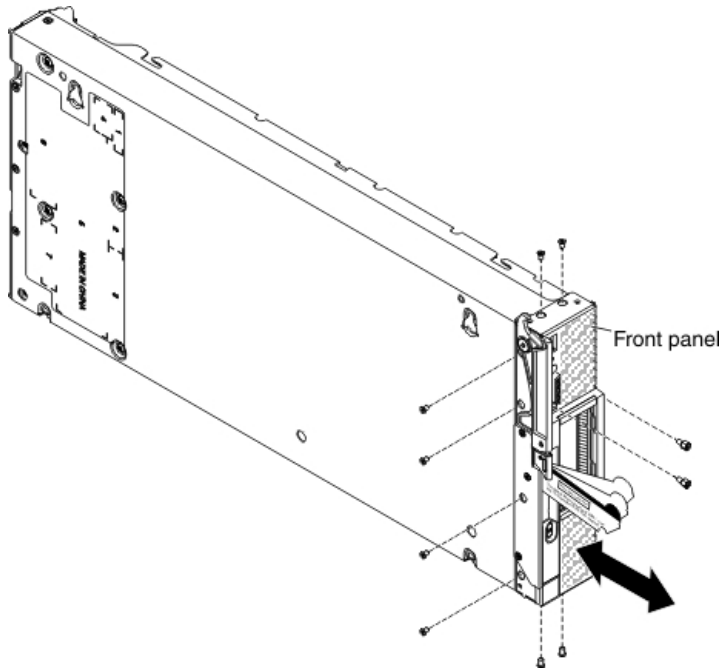
Removing the front panel

Use this information to remove the front panel.

Before you remove the front panel, complete the following steps:

1. Read “Safety” on page v and “Installation guidelines” on page 873.
2. If the compute node is installed in a chassis, remove it (see “Removing a compute node from a chassis” on page 874 for instructions).
3. Carefully lay the compute node on a flat, static-protective surface, orienting the compute node with the bezel pointing toward you.
4. Obtain a T8 Torx screwdriver and a 5 mm (3/16-inch) nut driver.

To remove the front panel, complete the following steps.



- Step 1. If you are replacing the front panel, remove the ID label plate that has machine type and serial number information from the front panel and set it aside (see “Removing the ID label plate” on page 891).

Note: If your compute node has an RFID tag, it is already attached to the ID label plate.

- Step 2. Remove any storage drives, optional drive components, and hard disk drive bay fillers and set them aside on a static-protective surface (see “Removing a hot-swap hard disk drive” on page 907, “Removing a 1.8-inch solid state drive” on page 912, or “Removing a solid state drive mounting sleeve” on page 909).

- Step 3. If your compute node has a drive-type-specific storage drive bezel, such as a 1.8 inch solid-state drive bezel, remove it and set it aside (see “Removing the bezel” on page 890).
- Step 4. Remove the cover and air baffles (see “Removing the compute node cover” on page 881).
- Step 5. Carefully place the compute node to the up-side-down orientation.
- Step 6. Using a 5 mm (3/16-inch) nut driver, remove the two nuts from the KVM connector.
- Step 7. Rotate the customer information and network access tags to the open position.
- Step 8. Using a T8 Torx screwdriver, remove the four screws that secure the front panel to the bottom of the compute node chassis. One of the screws is accessed through a hole in the tag retainer.
- Step 9. Carefully return the compute node to the bottom-side-down orientation.
- Step 10. Using a T8 Torx screwdriver, remove the two screws that secure the front panel from each side of the compute node chassis (four screws, total).
- Step 11. Carefully slide the front panel forward and away from the compute node chassis.

If you are instructed to return the front panel, follow all packaging instructions, and use any packaging materials for shipping that are supplied to you.

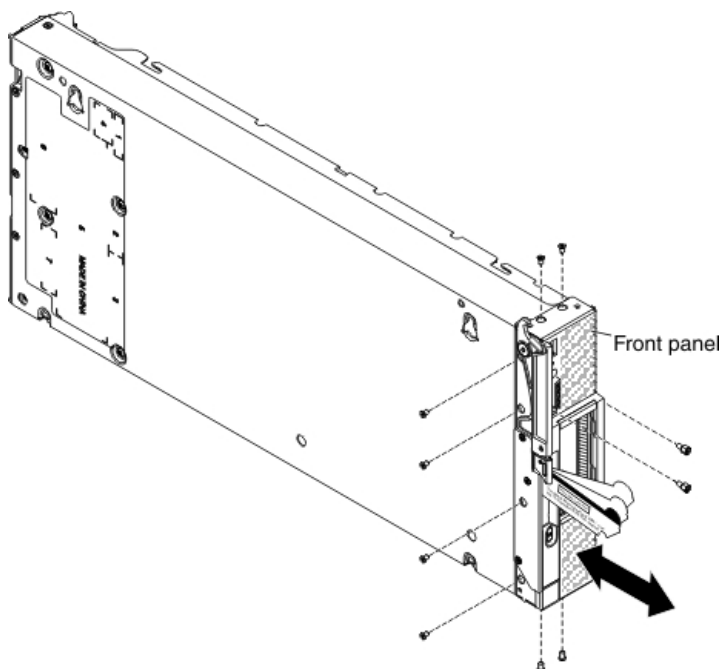
Installing the front panel

Use this information to install the front panel.

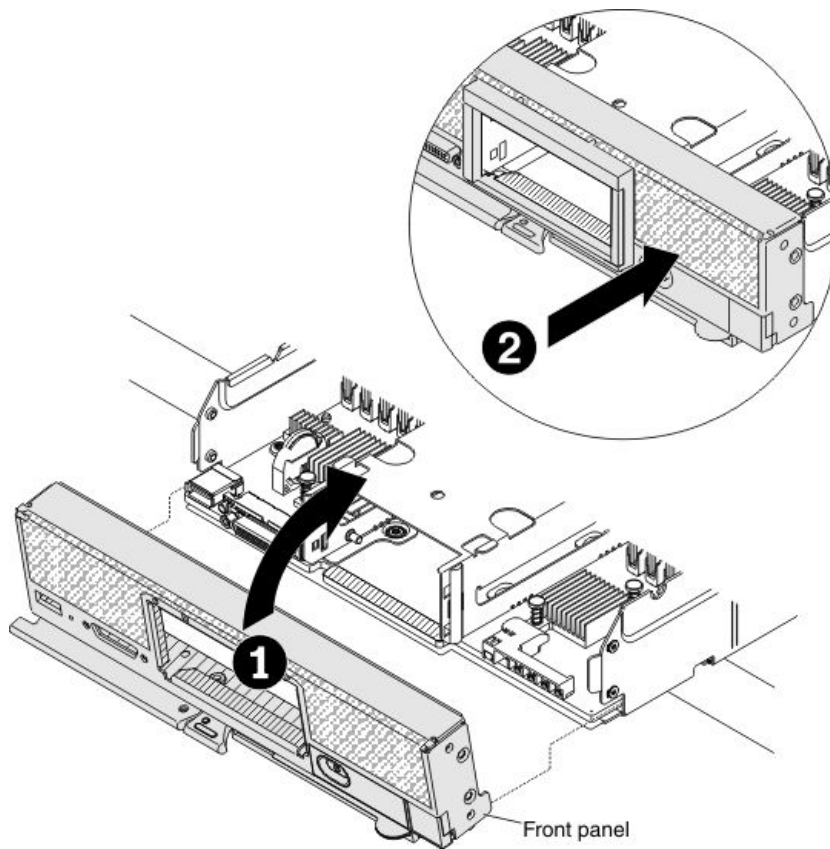
Before you install the front panel, complete the following steps:

1. Read “Safety” on page v and “Installation guidelines” on page 873.
2. Carefully lay the compute node on a flat, static-protective surface, orienting the compute node with the bezel pointing toward you.

To install the front panel, complete the following steps.



- Step 1. Remove the cover and air baffles, if they are not already removed (see “Removing the compute node cover” on page 881).



- Step 2. With the front edge of the compute node protruding slightly past the edge of the work surface, align the bottom edge of the front panel with the front of the compute node chassis; then, carefully rotate the front panel into place on the compute node.
- Step 3. Using a T8 Torx screwdriver, install the two screws that secure the front panel to each side of the compute node chassis (four screws, total).
- Step 4. Carefully place the compute node to the up-side-down orientation.
- Step 5. Rotate the customer information and network access tags to the open position.
- Step 6. Using a T8 Torx screwdriver, install the four screws that secure the front panel to the bottom of the compute node chassis. One of the screws is accessed through a hole in the tag retainer.
- Step 7. Using a 5 mm (3/16-inch) nut driver, install the two nuts on the KVM connector.
- Step 8. Carefully return the compute node to the bottom-side-down orientation.
- Step 9. Install the air baffles, if you removed them.
- Step 10. Install the cover (see “Installing the compute node cover” on page 883).
- Step 11. If the compute node you are replacing had a drive-type-specific storage drive bezel, such as a 1.8 inch solid-state drive bezel, remove the original bezel from the new front panel and install the bezel that you removed from the old front panel on the new front panel (see “Removing the bezel” on page 890 and “Installing the bezel” on page 890). Retain the original bezel for later use.
- Step 12. Install any removed storage drives, optional drive components, and hard disk drive bay fillers (see “Installing a hot-swap hard disk drive” on page 908, “Installing a solid state drive mounting sleeve” on page 911, or “Installing a 1.8-inch solid state drive” on page 914)
- Step 13. If you are replacing the front panel, install the ID label plate that has machine type and serial number information that you removed from the front panel you are replacing:
- a. If a blank ID label plate is on the new front panel, remove it and discard (see “Removing the ID label plate” on page 891).

- b. Install the ID label plate from the front panel you are replacing on the new front panel (see “Installing the ID label plate” on page 892).

Note: If your compute node has an RFID tag, it is already attached to the ID label plate.

Step 14. If any information is entered on the customer information tags on the front panel you are replacing, transfer this information to the tags on the new front panel.

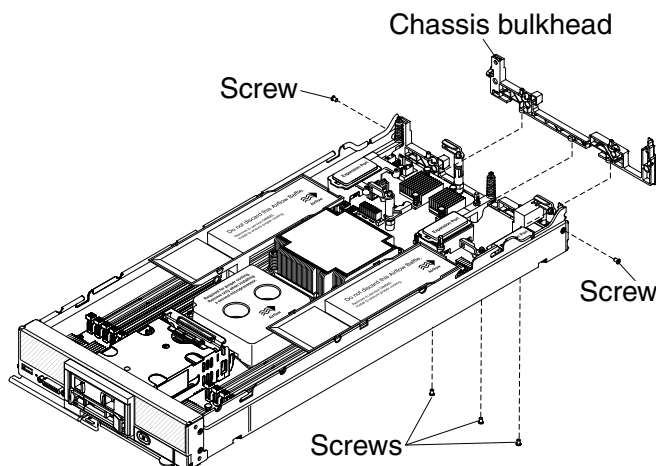
Removing the chassis bulkhead

Use this information to remove the chassis bulkhead.

Before you remove the chassis bulkhead, complete the following steps:

1. Read “Safety” on page v and “Installation guidelines” on page 873.
2. If the compute node is installed in a chassis, remove it (see “Removing a compute node from a chassis” on page 874 for instructions).
3. Carefully lay the compute node on a flat, static-protective surface, orienting the compute node with the bezel pointing toward you.

To remove the chassis bulkhead, complete the following steps.



- Step 1. Remove the cover (see “Removing the compute node cover” on page 881).
- Step 2. Remove the I/O expansion adapters (see “Removing an I/O expansion adapter” on page 922).
- Step 3. Carefully place the chassis on its side with the front handle side up.

Note: You might find it helpful to remove the air baffles.

- Step 4. Using a T8 Torx screwdriver, remove the screws that secure the bulkhead from the bottom of the chassis.
- Step 5. Carefully return the chassis to the bottom-side-down orientation.
- Step 6. Using a T8 Torx screwdriver, remove the screws that secure the bulkhead from the sides of the chassis.
- Step 7. Lift the chassis bulkhead from the chassis.

If you are instructed to return the chassis bulkhead, follow all packaging instructions, and use any packaging materials for shipping that are supplied to you.

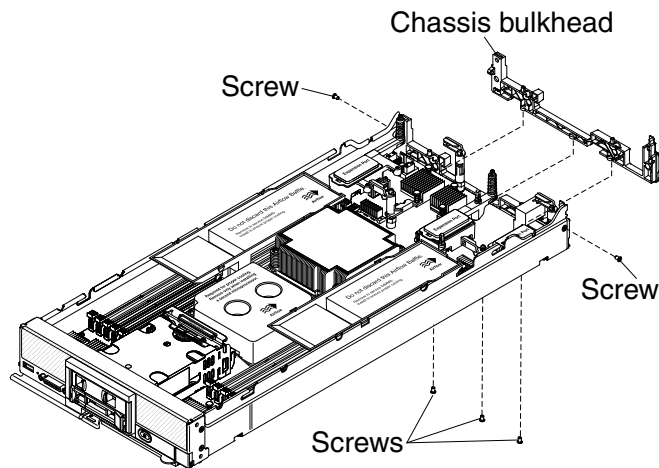
Installing the chassis bulkhead

Use this information to install the chassis bulkhead.

Before you install the chassis bulkhead, complete the following steps:

1. Read “Safety” on page v and “Installation guidelines” on page 873.
2. If the compute node is installed in a chassis, remove it (see “Removing a compute node from a chassis” on page 874 for instructions).
3. Carefully lay the compute node on a flat, static-protective surface, orienting the compute node with the bezel pointing toward you.

To install the chassis bulkhead, complete the following steps.



- Step 1. Remove the cover (see “Removing the compute node cover” on page 881).
- Step 2. Position the bulkhead in the chassis.
- Step 3. Using a T8 Torx screwdriver, install the screws that secure the bulkhead to the sides of the chassis.
- Step 4. Carefully place the chassis on its side with the front handle side up.
- Step 5. Using a T8 Torx screwdriver, install the screws that secure the bulkhead to the bottom of the chassis.
- Step 6. Carefully return the chassis to the bottom-side-down orientation.
- Step 7. Install the I/O expansion adapters (see “Installing an I/O expansion adapter” on page 923).
- Step 8. Install the air baffles, if you removed them.

After you install the chassis bulkhead, complete the following steps:

1. Install the cover onto the compute node (see “Installing the compute node cover” on page 883 for instructions).
2. Install the compute node into the chassis (see “Installing a compute node in a chassis” on page 875 for instructions).

Removing the compute node cover

Use this information to remove the cover from a compute node.

Before you remove the compute node cover, complete the following steps:

1. Read “Safety” on page v and “Installation guidelines” on page 873.

2. If the compute node is installed in a chassis, remove it (see “Removing a compute node from a chassis” on page 874 for instructions).
3. Carefully lay the compute node on a flat, static-protective surface, orienting the compute node with the bezel pointing toward you.

Statement 12



CAUTION:
The following label indicates a hot surface nearby.



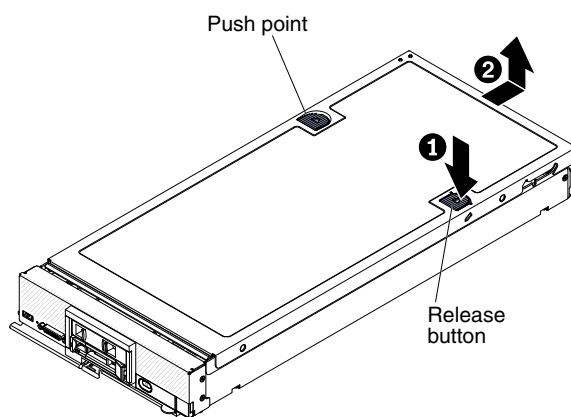
Statement 21



CAUTION:
Hazardous energy is present when the compute node is connected to the power source. Always replace the compute node cover before installing the compute node.

To remove the compute node cover, complete the following steps:

- Step 1. Press on the release button and the push point at the same time and slide the cover toward the rear of the compute node.
- Step 2. Lift the cover away from the compute node.



- Step 3. Lay the cover flat or store it for future use.

If you are instructed to return the cover, follow all packaging instructions, and use any packaging materials for shipping that are supplied to you.

Installing the compute node cover

Use this information to install the compute node cover.

Before you install the compute node cover, read “Safety” on page v and “Installation guidelines” on page 873.

If you are replacing the cover, make sure that you have the system service label kit on hand for use during the replacement procedure (see Chapter 5 “Parts listing, Types 9532 and 2951” on page 51).

Attention: You cannot insert the compute node into the Lenovo Flex System chassis until the cover is installed and closed. Do not attempt to override this protection.

Statement 21



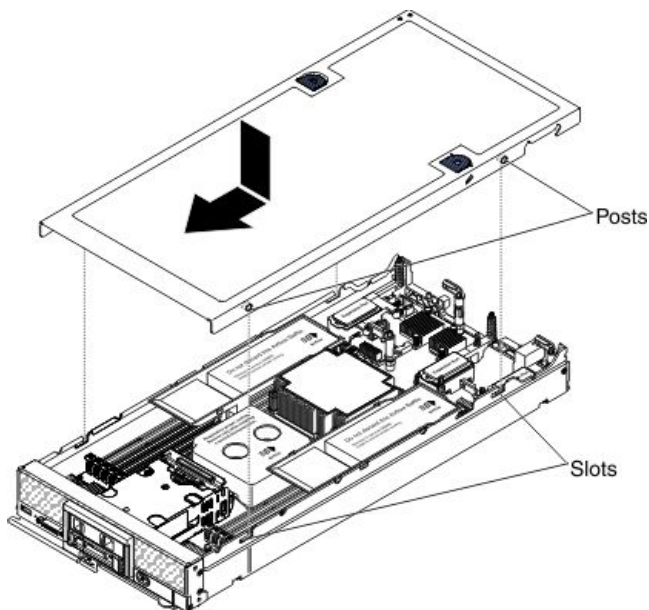
CAUTION:

Hazardous energy is present when the compute node is connected to the power source. Always replace the compute node cover before installing the compute node.

To install the compute node cover, complete the following steps:

- Step 1. Carefully lay the compute node on a flat, static-protective surface, orienting the compute node with the bezel pointing toward you.
- Step 2. Orient the cover so that the posts on the inside of the cover slide into the slots on the compute node.

Note: Before you close the cover, make sure that the air baffles and all components are installed and seated correctly and that you have not left loose tools or parts inside the compute node. Retention clips that secure the I/O expansion adapters must be in the closed position to install the cover.



- Step 3. Hold the front of the compute node and slide the cover forward to the closed position, until it clicks into place.

Step 4. To install a system service label, align the label on the cover, remove the backing, and press the label on the cover.

After you install the compute node cover, install the compute node into the chassis (see “Installing a compute node in a chassis” on page 875 for instructions).

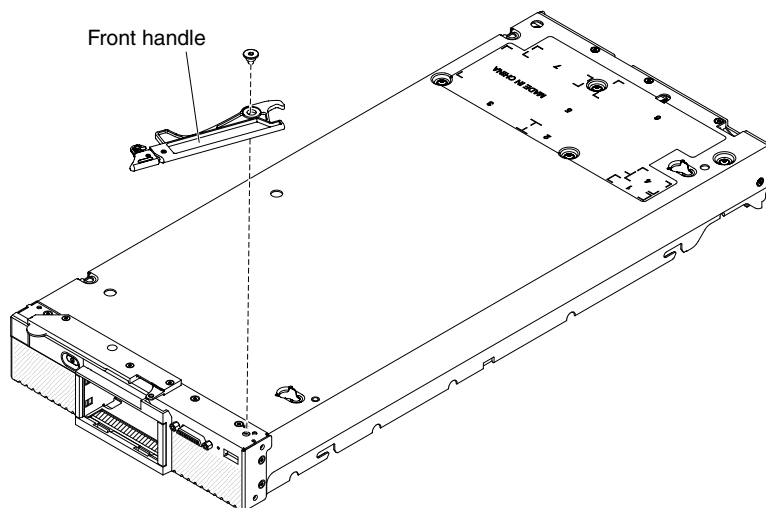
Removing the front handle

Use this information to remove the front handle.

Before you remove the front handle, complete the following steps:

1. Read “Safety” on page v and “Installation guidelines” on page 873.
2. If the compute node is installed in a chassis, remove it (see “Removing a compute node from a chassis” on page 874 for instructions).
3. Carefully lay the compute node on a flat, static-protective surface with the cover side down, orienting the compute node with the bezel pointing toward you.

To remove the front handle, complete the following steps.



Step 1. Locate the screw that attaches the handle to the compute node.

Step 2. Using a T15 Torx screwdriver, remove the screw from the front handle and save the screw in a safe place. Use the same screw when you install a front handle.

If you are instructed to return the front handle, follow all packaging instructions, and use any packaging materials for shipping that are supplied to you.

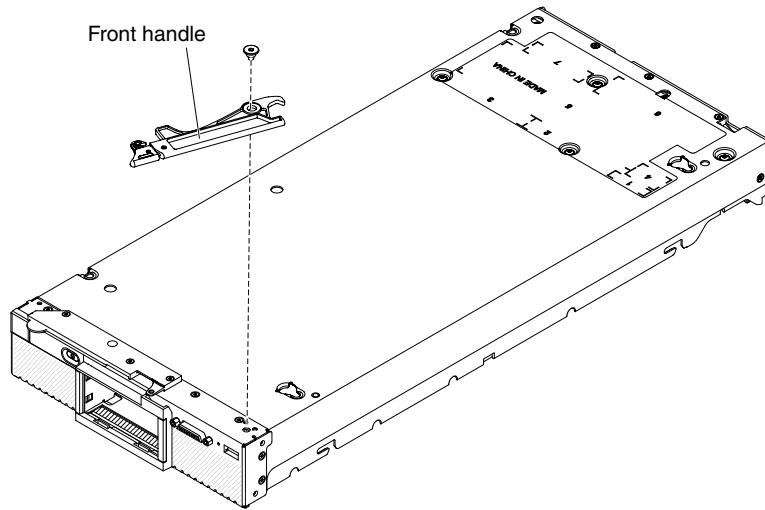
Installing the front handle

Use this information to install the front handle.

Before you install the front handle, complete the following steps:

1. Read “Safety” on page v and “Installation guidelines” on page 873.
2. If the compute node is installed in a chassis, remove it (see “Removing a compute node from a chassis” on page 874 for instructions).
3. Carefully lay the compute node on a flat, static-protective surface with the cover side down, orienting the compute node with the bezel pointing toward you.

To install the front handle, complete the following steps.



- Step 1. Orient the front handle so that the blue release latch is toward the middle of the compute node.
- Step 2. Align the hole in the handle with the hole on the compute node where the handle is installed.
- Step 3. Using a T15 Torx screwdriver, install the screw that secures the handle. Install the screw that you removed when you removed the handle.

After you install the front handle, install the compute node into the chassis (see “Installing a compute node in a chassis” on page 875 for instructions).

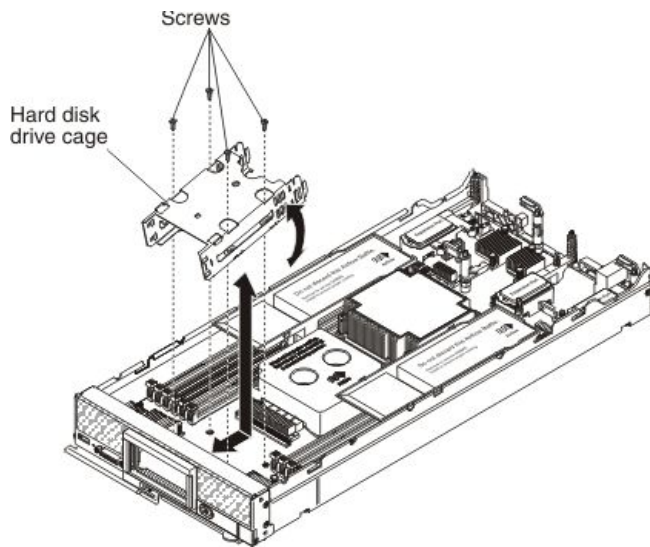
Removing the hard disk drive cage

Use this information to remove the hard disk drive cage.

Before you remove the hard disk drive cage, complete the following steps:

1. Read “Safety” on page v and “Installation guidelines” on page 873.
2. If the compute node is installed in a chassis, remove it (see “Removing a compute node from a chassis” on page 874 for instructions).
3. Carefully lay the compute node on a flat, static-protective surface, orienting the compute node with the bezel pointing toward you.

To remove the hard disk drive cage, complete the following steps.



- Step 1. Remove the cover (see “Removing the compute node cover” on page 881).
- Step 2. Remove storage drives, optional drive components, and hard disk drive bay fillers. See “Removing a hot-swap hard disk drive” on page 907, “Removing a 1.8-inch solid state drive” on page 912, or “Removing a solid state drive mounting sleeve” on page 909.
- Step 3. Remove the hard disk drive backplane (see “Removing a hard disk drive backplane” on page 905).
- Step 4. Using a T10 Torx screwdriver, remove the four screws from the cage and rotate the cage from under the compute node front panel; then, remove the cage from the compute node at an angle.

If you are instructed to return the hard disk drive cage, follow all packaging instructions, and use any packaging materials for shipping that are supplied to you.

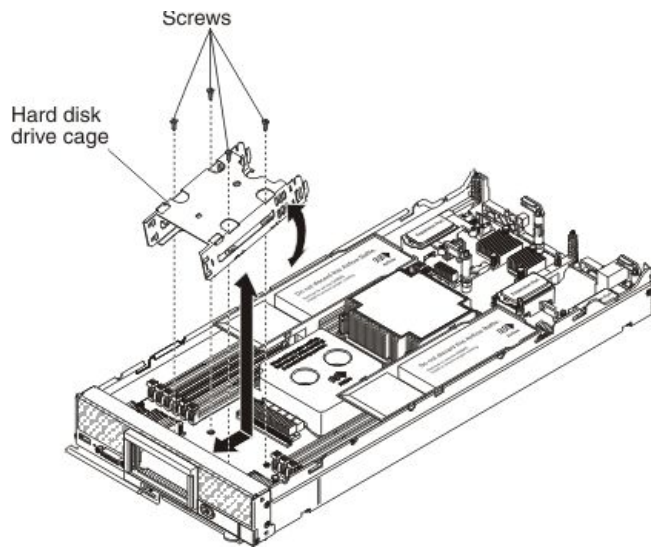
Installing the hard disk drive cage

Use this information to install the hard disk drive cage.

Before you install the hard disk drive cage, complete the following steps:

1. Read “Safety” on page v and “Installation guidelines” on page 873.
2. If the compute node is installed in a chassis, remove it (see “Removing a compute node from a chassis” on page 874 for instructions).
3. Carefully lay the compute node on a flat, static-protective surface, orienting the compute node with the bezel pointing toward you.

To install the hard disk drive cage, complete the following steps.



- Step 1. Remove the cover (see “Removing the compute node cover” on page 881).
- Step 2. Position the cage in the compute node front panel at an angle and rotate the cage into position on the system board.
- Step 3. Align the cage with the screw holes on the system board.
- Step 4. Using a T10 Torx screwdriver, insert the four screws and secure the cage in the compute node.
- Step 5. Install the hard disk drive backplane (see “Installing a hard disk drive backplane” on page 906).
- Step 6. Insert the storage drives, optional drive components, and hard disk drive bay fillers. See “Installing a hot-swap hard disk drive” on page 908, “Installing a solid state drive mounting sleeve” on page 911, or “Installing a 1.8-inch solid state drive” on page 914.

After you install the hard disk drive cage, complete the following steps:

1. Install the cover onto the compute node (see “Installing the compute node cover” on page 883 for instructions).
2. Install the compute node into the chassis (see “Installing a compute node in a chassis” on page 875 for instructions).

Removing and replacing Tier 1 customer replaceable units (CRUs)

Use this information for removing and replacing Tier 1 CRUs.

Replacement of Tier 1 CRUs is your responsibility. If Lenovo installs a Tier 1 CRU at your request, you will be charged for the installation.

Removing the adapter-retention assembly

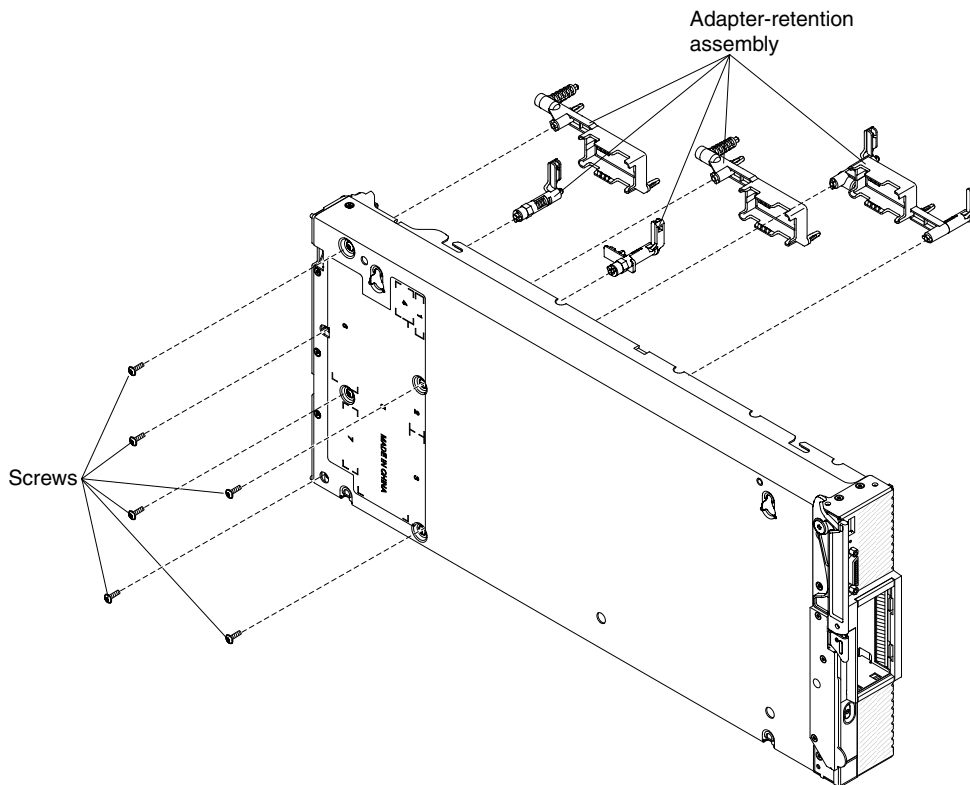
Use this information to remove the adapter-retention assembly.

Before you remove the adapter-retention assembly, complete the following steps:

1. Read “Safety” on page v and “Installation guidelines” on page 873.
2. If the compute node is installed in a chassis, remove it (see “Removing a compute node from a chassis” on page 874 for instructions).
3. Carefully lay the compute node on a flat, static-protective surface, orienting the compute node with the bezel pointing toward you.

The adapter-retention assembly consists of five separate parts. You can replace only the parts that you choose and save the unused parts for future use.

To remove the adapter-retention assembly, complete the following steps.



- Step 1. Remove the cover (see “Removing the compute node cover” on page 881).
- Step 2. Remove the air baffles.
- Step 3. If necessary, remove the I/O expansion adapters and Adapter for SD Media (see “Removing an I/O expansion adapter” on page 922 and “Removing the SD Media Adapter for System x” on page 926).
- Step 4. Carefully place the chassis on its side with the front handle side up.
- Step 5. Using a T10 Torx screwdriver, remove the screws that secure each part of the adapter-retention assembly that you are removing.

Note: All adapter-attention assembly parts are shown. Replace the parts that are needed and save the unused parts for future use.

- Step 6. Lift each part of the adapter-retention assembly that you are removing from the system board.
- Step 7. Carefully return the chassis to the bottom-side-down orientation.

If you are instructed to return the adapter-retention assembly, follow all packaging instructions, and use any packaging materials for shipping that are supplied to you.

Installing the adapter-retention assembly

Use this information to install the adapter-retention assembly.

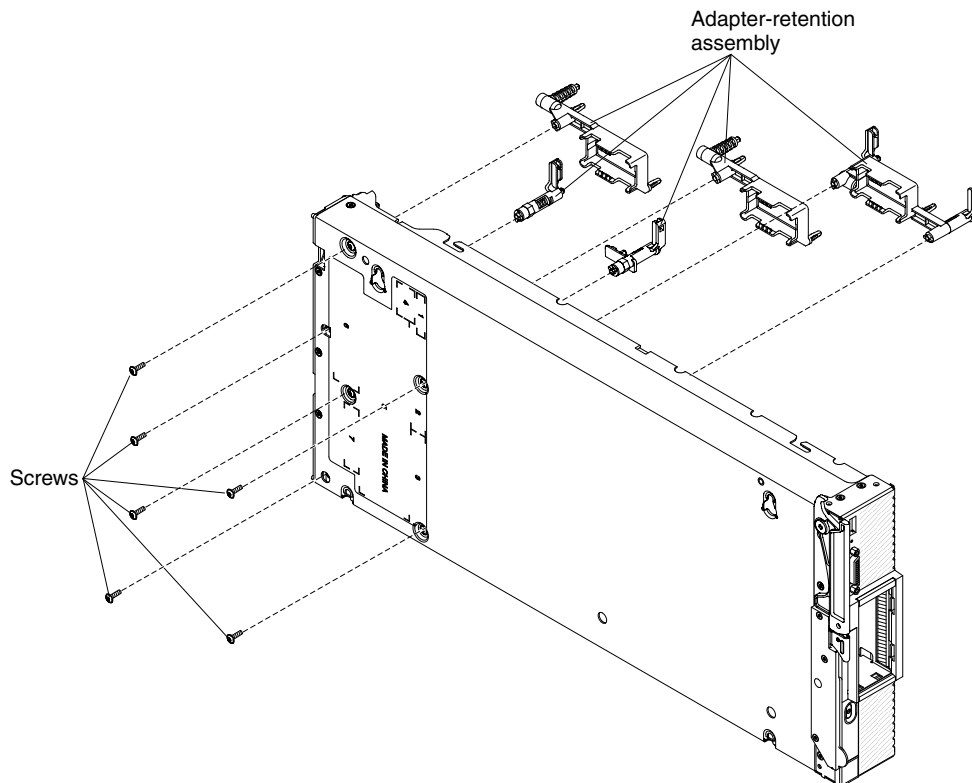
Before you install the adapter-retention assembly, complete the following steps:

1. Read “Safety” on page v and “Installation guidelines” on page 873.

2. If the compute node is installed in a chassis, remove it (see “Removing a compute node from a chassis” on page 874 for instructions).
3. Carefully lay the compute node on a flat, static-protective surface, orienting the compute node with the bezel pointing toward you.

The adapter-retention assembly consists of five separate parts. You can replace only the parts that you choose and save the unused parts for future use.

To install the adapter-retention assembly, complete the following steps.



- Step 1. Remove the cover (see “Removing the compute node cover” on page 881).
- Step 2. Remove the air baffles.
- Step 3. Carefully place the chassis on its side with the front handle side up.
- Step 4. Align each part of the adapter-retention assembly on the system board.

Note: All adapter-attention assembly parts are shown. Replace the parts that are needed and save the unused parts for future use.

- Step 5. Using a T10 Torx screwdriver, install the screws that secure each part of the adapter-retention assembly that you are installing.
- Step 6. Carefully return the chassis to the bottom-side-down orientation.
- Step 7. Install the Adapter for SD Media and I/O expansion adapters, if you removed them (see “Installing the SD Media Adapter for System x” on page 927 and “Installing an I/O expansion adapter” on page 923).
- Step 8. Install the air baffles.

After you install the adapter-retention assembly, complete the following steps:

1. Install the cover onto the compute node (see “Installing the compute node cover” on page 883 for instructions).
2. Install the compute node into the chassis (see “Installing a compute node in a chassis” on page 875 for instructions).

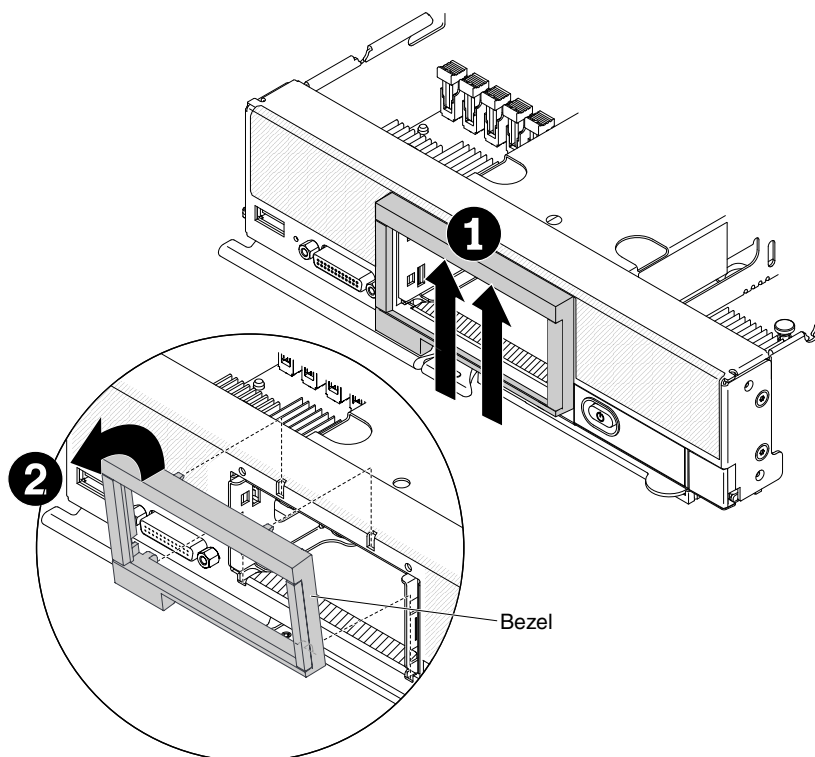
Removing the bezel

Use this information to remove the bezel.

Before you remove the bezel, read “Safety” on page v and “Installation guidelines” on page 873.

Note: Several different types of bezel can be installed in the compute node: all are removed and installed in a similar manner. The bezel shown in the illustrations might differ slightly from the bezel installed in your compute node.

To remove the bezel, complete the following steps.



Step 1. If any hard disk drives, fillers, or SSD sleeves are installed, remove them.

Step 2. Press up on the inside top of the bezel; then, rotate the top edge of the bezel away from the compute node.

Step 3. Lift the bezel from the compute node.

If you are instructed to return the bezel, follow all packaging instructions, and use any packaging materials for shipping that are supplied to you.

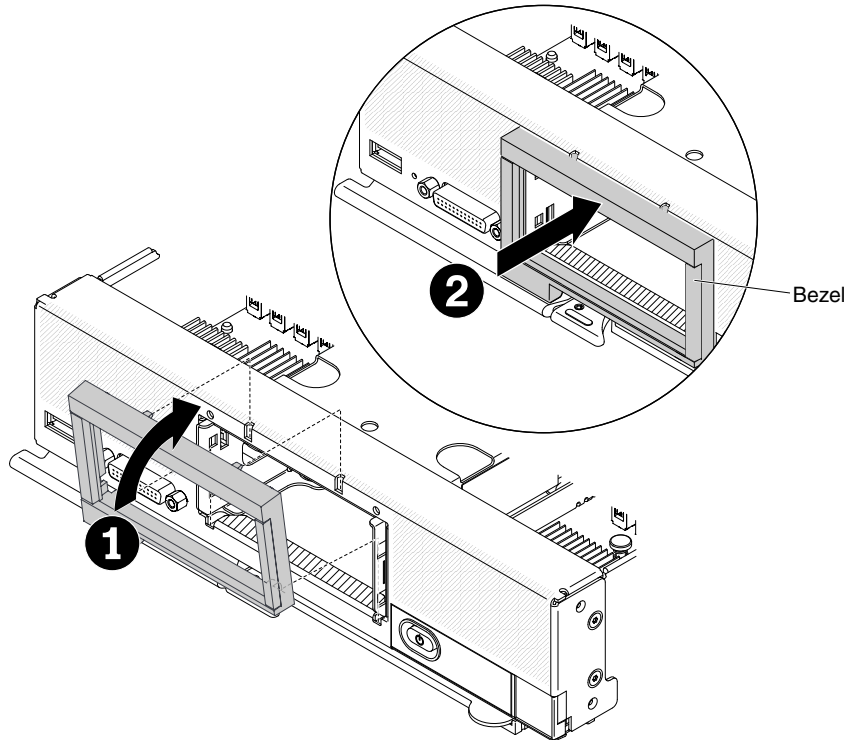
Installing the bezel

Use this information to install the bezel.

Before you install the bezel, read “Safety” on page v and “Installation guidelines” on page 873.

Note: Several different types of bezel can be installed in the compute node: all are removed and installed in a similar manner. The bezel shown in the illustrations might differ slightly from the bezel installed in your compute node.

To install the bezel, complete the following steps.



Step 1. Position the bezel on the front of the compute node.

Step 2. Hook the bottom edge of the bezel on the front of the compute node; then, rotate the top of the bezel toward the chassis.

Step 3. Press the bezel securely against the chassis.

Note: Make sure that the bezel is pressed flat against the chassis. Lifting up slightly on the top edge of the bezel as you press it might make it easier to seat the clips.

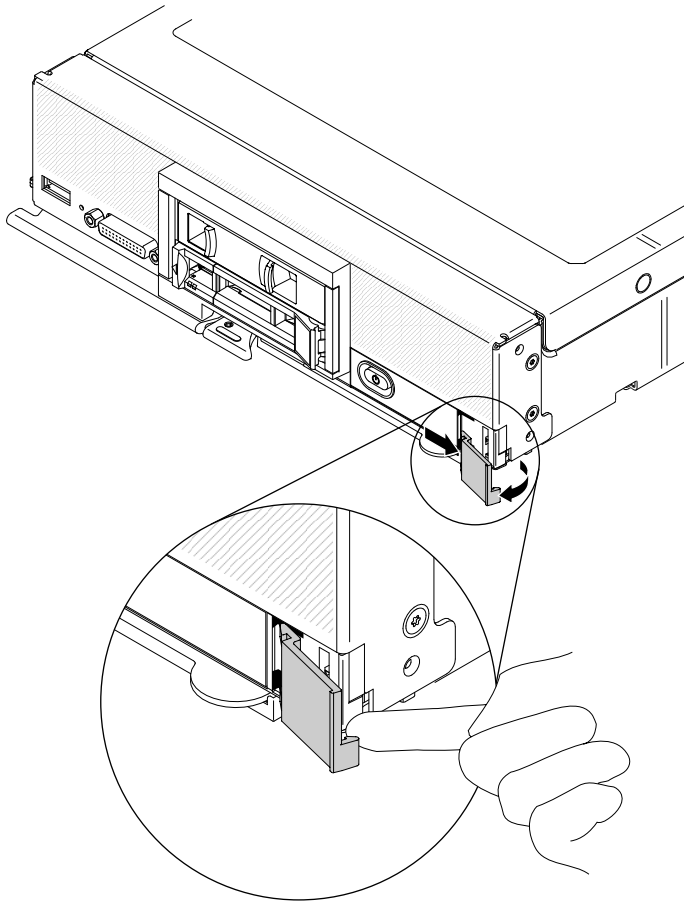
Step 4. Install any hard disk drives, fillers, or SSD sleeves that were removed.

Removing the ID label plate

Use this information to remove the identification (ID) label plate from the front panel.

Before you remove the ID label plate, read “Safety” on page v and “Installation guidelines” on page 873.

To remove the ID label plate, complete the following steps.



Step 1. Using a finger nail or flat-blade screwdriver under the lower outside corner of the label plate, pull the outer edge of the ID label plate away from the compute node front panel.

Step 2. Rotate the ID label plate away from the front panel; then, remove the ID label plate.

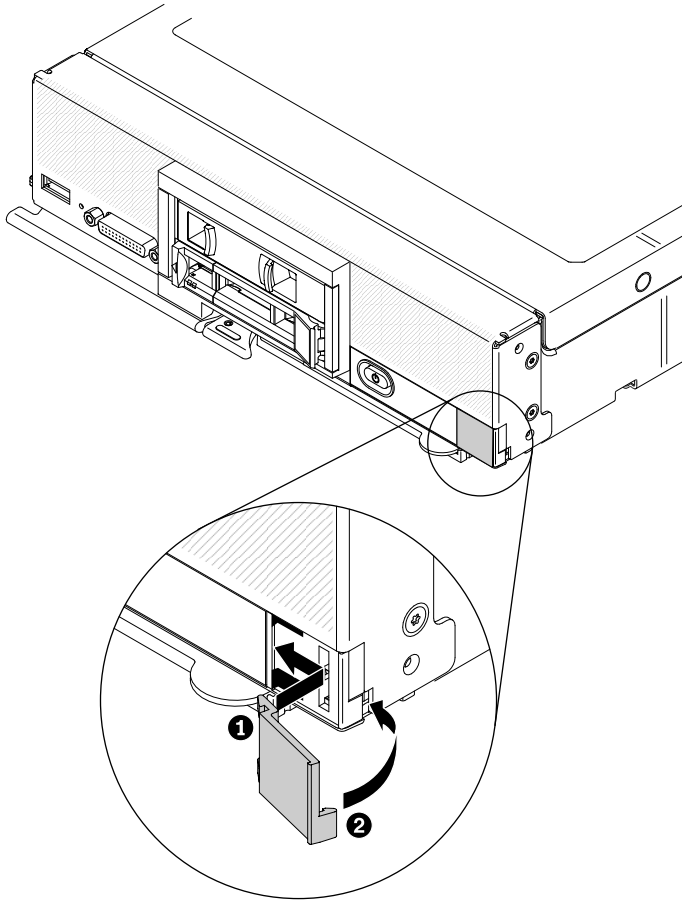
If you are instructed to return the ID label plate, follow all packaging instructions, and use any packaging materials for shipping that are supplied to you.

Installing the ID label plate

Use this information to install the identification (ID) label plate on the front panel.

Before you install the ID label plate, read “Safety” on page v and “Installation guidelines” on page 873.

To install the ID label plate, complete the following steps.



- Step 1. Place the clips on the ID label plate into the slots on the compute node front panel.
- Step 2. Rotate the outer edge of the ID label plate toward the compute node front panel; then, press the ID label plate securely against the front panel.

Removing the CMOS battery

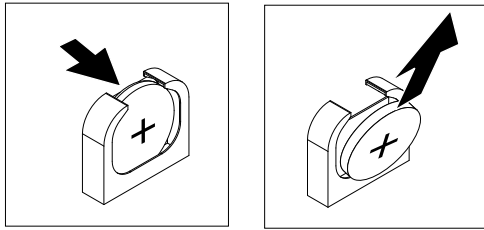
Use this information to remove the CMOS battery.

Before you remove the CMOS battery, complete the following steps:

1. Read “Safety” on page v and “Installation guidelines” on page 873.
2. If the compute node is installed in a chassis, remove it (see “Removing a compute node from a chassis” on page 874 for instructions).
3. Carefully lay the compute node on a flat, static-protective surface, orienting the compute node with the bezel pointing toward you.

To remove the CMOS battery, complete the following steps:

- Step 1. Remove the cover (see “Removing the compute node cover” on page 881).
- Step 2. Locate the CMOS battery on the system board (see “System-board connectors” on page 17).
- Step 3. If a cover is over the CMOS battery, remove the cover.
- Step 4. Pivot the CMOS battery toward the middle of the compute node.



Step 5. Lift the CMOS battery from the socket.

After you remove the CMOS battery, dispose of the CMOS battery as required by local ordinances or regulations.

Installing the CMOS battery

Use this information to install a CMOS battery.

Before you install the CMOS battery, complete the following steps:

1. Read “Safety” on page v and “Installation guidelines” on page 873.
2. If the compute node is installed in a chassis, remove it (see “Removing a compute node from a chassis” on page 874 for instructions).
3. Carefully lay the compute node on a flat, static-protective surface, orienting the compute node with the bezel pointing toward you.

The following notes describe information that you must consider when you are replacing the CMOS battery in the compute node:

- You must replace the CMOS battery with a lithium CMOS battery of the same type.
- To order replacement batteries, call 1-800-426-7378 within the United States, and 1-800-465-7999 or 1-800-465-6666 within Canada. Outside the U.S. and Canada, call your Lenovo marketing representative or authorized reseller.
- After you replace the CMOS battery, you must reconfigure the compute node and reset the system date and time.
- To avoid possible danger, read and follow the following safety statement.

Statement 2



CAUTION:

When replacing the lithium battery, use only Part Number 33F8354 or an equivalent type battery recommended by the manufacturer. If your system has a module containing a lithium battery, replace it only with the same module type made by the same manufacturer. The battery contains lithium and can explode if not properly used, handled, or disposed of. *Do not:*

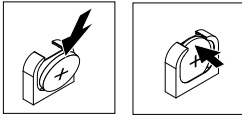
- **Throw or immerse into water**
- **Heat to more than 100° C (212° F)**
- **Repair or disassemble**

Dispose of the battery as required by local ordinances or regulations.

Attention: Touching the CMOS battery on a metal surface, such as the side of the compute node, when you replace the CMOS battery can cause it to fail.

To install a CMOS battery, complete the following steps:

- Step 1. Remove the cover (see “Removing the compute node cover” on page 881).
- Step 2. Follow any special handling and installation instructions that come with the CMOS battery.
- Step 3. Locate the CMOS battery socket on the system board (see “System-board connectors” on page 17).
- Step 4. Orient the CMOS battery so that the positive (+) side faces in toward the center of the compute node.



- Step 5. Pivot the CMOS battery so that you can insert it into the bottom of the socket.
- Step 6. As you slide the CMOS battery into place, press the top of the CMOS battery into the socket.
- Step 7. If you removed a cover from the battery, replace the cover.

After you install the CMOS battery, complete the following steps:

1. Install the cover onto the compute node (see “Installing the compute node cover” on page 883 for instructions).
2. Install the compute node into the chassis (see “Installing a compute node in a chassis” on page 875 for instructions).
3. Turn on the compute node, start the Setup utility, and reset the configuration (see “Using the Setup utility” on page 24 for instructions).

Removing a DIMM

Use this information to remove a dual inline memory module (DIMM).

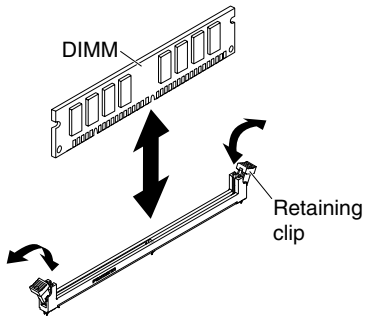
Before you remove a DIMM, complete the following steps:

1. Read “Safety” on page v and “Installation guidelines” on page 873.
2. If the compute node is installed in a chassis, remove it (see “Removing a compute node from a chassis” on page 874 for instructions).
3. Carefully lay the compute node on a flat, static-protective surface, orienting the compute node with the bezel pointing toward you.

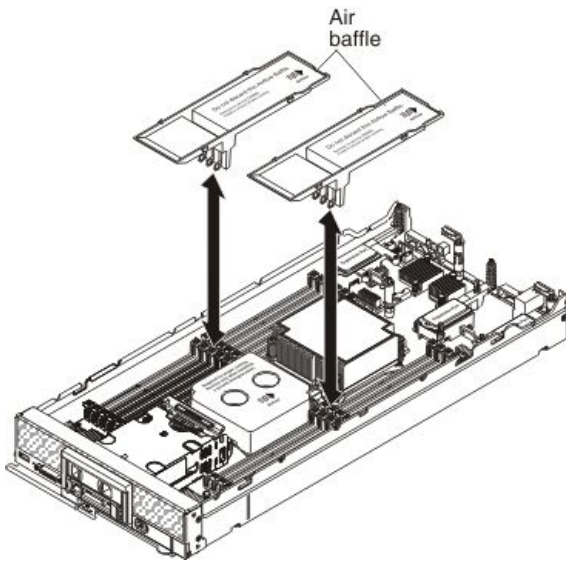
After you install or remove a DIMM, you must change and save the new configuration information by using the Setup utility. When you turn on the compute node, a message indicates that the memory configuration has changed. Start the Setup utility and select **Save Settings** (see “Using the Setup utility” on page 24 for more information) to save changes.

To remove a DIMM, complete the following steps.

Note: Remove or install DIMMs for one microprocessor at a time.



- Step 1. Remove the cover (see “Removing the compute node cover” on page 881).
- Step 2. Remove the air baffle installed over the DIMM connector.

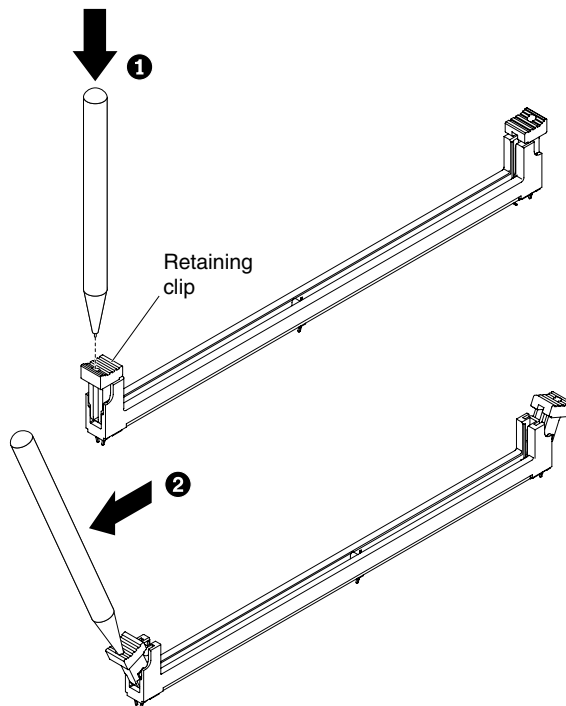


- Step 3. Locate the DIMM connectors (see “System-board connectors” on page 17). Determine which DIMM you want to remove from the compute node.

Attention: To avoid breaking the retaining clips or damaging the DIMM connectors, handle the clips gently.

Note: The retaining clips for adjacent DIMM connectors of microprocessor one and microprocessor two can not be open at the same time. Remove or install the DIMMs for each microprocessor one at a time and close the retaining clips after removing a DIMM.

- Step 4. Carefully open the retaining clips on each end of the DIMM connector.



Note: If necessary due to space constraints, you can use a pointed tool to open the retaining clips. Place the tip of the tool in the recess on the top of the retaining clip; then, carefully rotate the retaining clip away from the DIMM connector.

- Step 5. Make sure that both retaining clips on the DIMM connector from which you are removing the DIMM are in the fully-open position; then, pull the DIMM out of the connector.
- Step 6. If you are not immediately replacing the DIMM, install the air baffle.

Attention: To maintain proper system cooling, do not operate the compute node without air baffles installed over the DIMM connectors.

Note: Retaining clips on the DIMM connectors must be in the closed position to install the air baffles.

If you are instructed to return the DIMM, follow all packaging instructions, and use any packaging materials for shipping that are supplied to you.

Installing a DIMM

Use this information to install a DIMM.

Before you install a DIMM, complete the following steps:

1. Read “Safety” on page v and “Installation guidelines” on page 873.
2. Read the documentation that comes with the DIMMs.
3. If the compute node is installed in a chassis, remove it (see “Removing a compute node from a chassis” on page 874 for instructions).
4. Carefully lay the compute node on a flat, static-protective surface, orienting the compute node with the bezel pointing toward you.

This component can be installed as an optional device or as a CRU. The installation procedure is the same for the optional device and the CRU.

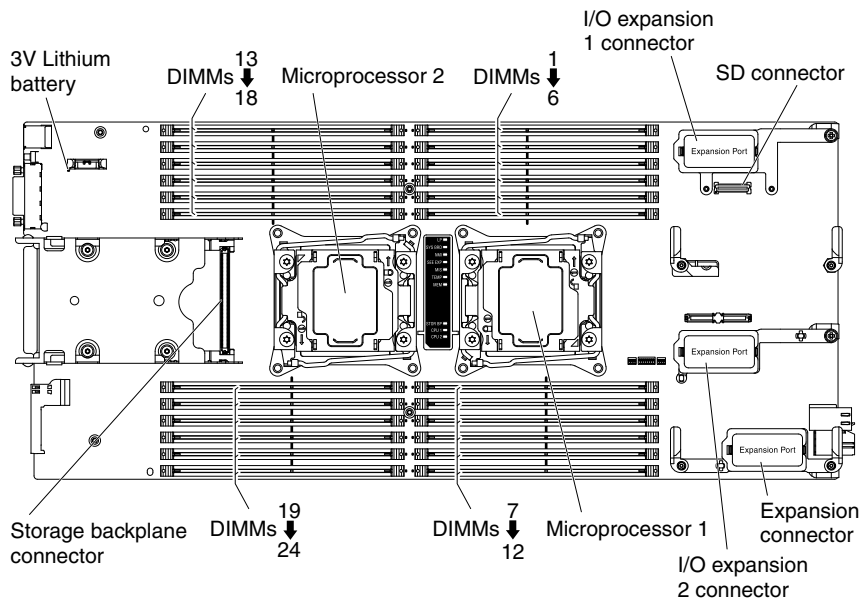
After you install or remove a DIMM, you must change and save the new configuration information by using the Setup utility. When you turn on the compute node, a message indicates that the memory configuration has changed. Start the Setup utility and select **Save Settings** (see “Using the Setup utility” on page 24 for more information) to save changes.

If you are installing a DIMM as a result of a DIMM failure, you might have to reenable the DIMM. To re-enable the DIMM, complete the following steps:

1. Verify that the amount of installed memory is the expected amount of memory through the operating system, by watching the monitor as the compute node starts, by using the CMM sol command, or through Flex System Manager management software (if installed).
 - For more information about the CMM sol command, see the "Flex System Chassis Management Module: Command-Line Interface Reference Guide" at http://pic.dhe.ibm.com/infocenter/flexsys/information/topic/com.lenovo.acc.cmm.doc/cli_command_sol.html.
 - For more information about Flex System Manager management software, see the "Flex System Manager Software: Installation and Service Guide" at http://pic.dhe.ibm.com/infocenter/flexsys/information/topic/com.ibm.acc.8731.doc/product_page.html.
2. Run the Setup utility to reenable the DIMMs (see “Using the Setup utility” on page 24 for more information).

The compute node has a total of 24 dual inline memory module (DIMM) connectors. The compute node supports low-profile (LP) DDR4 DIMMs with error-correcting code (ECC) in 4 GB, 8 GB, 16 GB, 32 GB and 64 GB capacity.

The following illustration shows the system-board components, including DIMM connectors.



The memory is accessed internally through four channels. Each memory channel has three DIMM connectors for each microprocessor (six total). Each channel can have a maximum of eight ranks. The following table lists the memory channels and shows which DIMM connectors are in the channel for each microprocessor.

Table 12. Memory-channel configuration

Microprocessor	Memory channel	DIMM connectors
Microprocessor 1	Channel A	4, 5, and 6
	Channel B	1, 2, and 3
	Channel C	7, 8, and 9
	Channel D	10, 11, and 12
Microprocessor 2	Channel A	19, 20, and 21
	Channel B	22, 23, and 24
	Channel C	16, 17, and 18
	Channel D	13, 14, and 15

Depending on the memory mode that is set in the Setup utility, the compute node can support a minimum of 4 GB and a maximum of 768 GB of system memory in a compute node with one microprocessor. If two microprocessors are installed, the compute node can support a minimum of 8 GB and a maximum of 1536 GB of system memory.

Depending on the memory mode that is set in the Setup utility, the compute node can support a minimum of 4 GB and a maximum of 384 GB of system memory in a compute node with one microprocessor. If two microprocessors are installed, the compute node can support a minimum of 8 GB and a maximum of 768 GB of system memory.

The following notes describe information that you must consider when you install memory:

- Use only registered (RDIMM) DDR4 DIMMs.
- Maximum DIMM capacity:
 - Registered DIMMs (RDIMMs): 768 GB (using 32 GB RDIMMs)
 - Load Reduced DIMMs (LRDIMMs): 1536 GB (using 64 GB LRDIMMs)
- RDIMM sizes supported (GB): 4, 8, 16, 32
- LRDIMM sizes supported (GB): 32, 64
- You cannot mix RDIMMs and LRDIMMs in the same compute node.
- DIMMs are verified as authentic Lenovo or IBM modules by the UEFI software. If any non-authentic DIMMs are detected, an informational message appears in the system event log and memory performance might be limited. Non-authentic DIMMs are not covered by your Lenovo warranty.
- Install DIMMs in sets of four to optimize performance.
- Installing an equal amount of memory for each microprocessor is recommended.
- If DIMMs of different speeds are installed, memory on a channel operates at the speed of the lowest-speed DIMM in the channel.
- A total of eight ranks on each channel is supported.
- If multi-rank DIMMs are installed, install higher ranking DIMMs first starting in the connector at the end of the memory channel.
- Quad-rank RDIMMs are not supported.
- Rank multiplication is supported allowing up to three DIMMs per channel.
- If you install LRDIMMs in a 3 DIMM per channel configuration, performance might be reduced compared to standard DIMMs.
- Mixing of mirrored and non-mirrored modes is not supported.

- Lock-step channel mode is not supported.

The compute node supports the following DIMM speeds based on the number of DIMMs installed per channel:

Table 13. DIMM per channel speeds

Memory Description	DIMMs per channel	Speed (MHz)
4 GB (1Rx8, 4 Gbit, 1.2V) PC4-17000 TruDDR4 2133 MHz RDIMM	1	2133 MHz
4 GB (1Rx8, 4 Gbit, 1.2V) PC4-17000 TruDDR4 2133 MHz RDIMM	2	2133 MHz
4 GB (1Rx8, 4 Gbit, 1.2V) PC4-17000 TruDDR4 2133 MHz RDIMM	3	1600 MHz
8 GB (1Rx8, 4 Gbit, 1.2V) PC4-17000 TruDDR4 2133 MHz RDIMM	1	2133 MHz
8 GB (1Rx8, 4 Gbit, 1.2V) PC4-17000 TruDDR4 2133 MHz RDIMM	2	2133 MHz
8 GB (1Rx8, 4 Gbit, 1.2V) PC4-17000 TruDDR4 2133 MHz RDIMM	3	1600 MHz
8 GB (2Rx8, 4 Gbit, 1.2V) PC4-17000 TruDDR4 2133 MHz RDIMM	1	2133 MHz
8 GB (2Rx8, 4 Gbit, 1.2V) PC4-17000 TruDDR4 2133 MHz RDIMM	2	2133 MHz
8 GB (2Rx8, 4 Gbit, 1.2V) PC4-17000 TruDDR4 2133 MHz RDIMM	3	1600 MHz
16 GB (2Rx4, 4 Gbit, 1.2V) PC4-17000 TruDDR4 2133 MHz RDIMM	1	2133 MHz
16 GB (2Rx4, 4 Gbit, 1.2V) PC4-17000 TruDDR4 2133 MHz RDIMM	2	2133 MHz
16 GB (2Rx4, 4 Gbit, 1.2V) PC4-17000 TruDDR4 2133 MHz RDIMM	3	1866 MHz
32 GB (2Rx4, 8 Gbit, 1.2V) PC4-17000 TruDDR4 2133 MHz RDIMM	1	2133 MHz
32 GB (2Rx4, 8 Gbit, 1.2V) PC4-17000 TruDDR4 2133 MHz RDIMM	2	2133 MHz
32 GB (2Rx4, 8 Gbit, 1.2V) PC4-17000 TruDDR4 2133 MHz RDIMM	3	1600 MHz / 1866 MHz
32 GB (2Rx4, 4 Gbit, 1.2V) PC4-17000 TruDDR4 2133 MHz LRDIMM	1	2133 MHz
32 GB (2Rx4, 4 Gbit, 1.2V) PC4-17000 TruDDR4 2133 MHz LRDIMM	2	2133 MHz
32 GB (2Rx4, 4 Gbit, 1.2V) PC4-17000 TruDDR4 2133 MHz LRDIMM	3	1866 MHz
64 GB (2Rx4, 4 Gbit, 1.2V) PC4-17000 TruDDR4 2133 MHz LRDIMM	1	2133 MHz
64 GB (2Rx4, 4 Gbit, 1.2V) PC4-17000 TruDDR4 2133 MHz LRDIMM	2	2133 MHz
64 GB (2Rx4, 4 Gbit, 1.2V) PC4-17000 TruDDR4 2133 MHz LRDIMM	3	1600 MHz / 1866 MHz

Table 14. DIMM per channel speeds

Memory Description	DIMMs per channel	Speed (MHz)
8 GB (1Rx4, 4 Gbit, 1.2V) PC4-19200 DDR4 2400 MHz LP RDIMM	1	2400 MHz
8 GB (1Rx4, 4 Gbit, 1.2V) PC4-19200 DDR4 2400 MHz LP RDIMM	2	2400 MHz
8 GB (1Rx4, 4 Gbit, 1.2V) PC4-19200 DDR4 2400 MHz LP RDIMM	3	1866 MHz
8 GB (2Rx8, 4 Gbit, 1.2V) PC4-19200 DDR4 2400 MHz LP RDIMM	1	2400 MHz
8 GB (2Rx8, 4 Gbit, 1.2V) PC4-19200 DDR4 2400 MHz LP RDIMM	2	2133 MHz
8 GB (2Rx8, 4 Gbit, 1.2V) PC4-19200 DDR4 2400 MHz LP RDIMM	3	1866 MHz
16 GB (2Rx4, 4 Gbit, 1.2V) PC4-19200 DDR4 2400 MHz LP RDIMM	1	2400 MHz
16 GB (2Rx4, 4 Gbit, 1.2V) PC4-19200 DDR4 2400 MHz LP RDIMM	2	2400 MHz
16 GB (2Rx4, 4 Gbit, 1.2V) PC4-19200 DDR4 2400 MHz LP RDIMM	3	1866 MHz

Table 14. DIMM per channel speeds (continued)

Memory Description	DIMMs per channel	Speed (MHz)
32 GB (2Rx4, 4 Gbit, 1.2V) PC4-19200 DDR4 2400 MHz LP RDIMM	1	2400 MHz
32 GB (2Rx4, 4 Gbit, 1.2V) PC4-19200 DDR4 2400 MHz LP RDIMM	2	2400 MHz
32 GB (2Rx4, 4 Gbit, 1.2V) PC4-19200 DDR4 2400 MHz LP RDIMM	3	1866 MHz

There are three memory modes:

- **Independent-channel mode:** Independent-channel mode provides a maximum of 768 GB of usable memory with one installed microprocessor, and 1536 GB of usable memory with two installed microprocessors (using 64 GB DIMMs).
- **Independent-channel mode:** Independent-channel mode provides a maximum of 384 GB of usable memory with one installed microprocessor, and 768 GB of usable memory with two installed microprocessors (using 32 GB DIMMs).
- **Rank-sparing mode:** In rank-sparing mode, one memory DIMM rank serves as a spare of the other ranks on the same channel. The spare rank is held in reserve and is not used as active memory. The spare rank must have identical or larger memory capacity than all the other active DIMM ranks on the same channel. After an error threshold is surpassed, the contents of that rank is copied to the spare rank. The failed rank of DIMMs is taken offline, and the spare rank is put online and used as active memory in place of the failed rank. The following notes describe additional information that you must consider when you select rank-sparing memory mode:
 - Rank-sparing on one channel is independent of the sparing on all other channels.
 - To use rank sparing, install at least one DIMM pair for each microprocessor. If a channel has only one DIMM and it is single-rank or dual-rank, do not attempt to use memory sparing.
 - The effective memory that is available to the system is less than what is installed.
 - You can use the Setup utility to determine the status of the DIMM ranks.
- **Mirrored-channel mode:** In mirrored-channel mode, memory is installed in pairs. Each DIMM in a pair must be identical in size and architecture. The channels are grouped in pairs with each channel receiving the same data. One channel is used as a backup of the other, which provides redundancy. The memory contents on channel A are duplicated in channel B, and the memory contents of channel C are duplicated in channel D. The effective memory that is available to the system is only half of what is installed.

One DIMM for each microprocessor is the minimum requirement. However, for optimal performance, install DIMMs in sets of four so that you distribute memory equally across all four channels. If two microprocessors are installed, distribute memory across all channels and equally between the microprocessors.

Install DIMMs in order as indicated in the following table for independent-channel mode.

Table 15. DIMM population sequence for independent-channel mode

Number of installed DIMMs	1 microprocessor installed		2 microprocessors installed	
	DIMM slot number	DIMMs per channel	DIMM slot number	DIMMs per channel
1	4	1	4	1
2	9		16	
3	1		9	
4	12		21	
5	5	2	1	

Table 15. DIMM population sequence for independent-channel mode (continued)

Number of installed DIMMs	1 microprocessor installed		2 microprocessors installed	
	DIMM slot number	DIMMs per channel	DIMM slot number	DIMMs per channel
6	8		13	
7	2		12	
8	11		24	
9	6	3	5	2
10	7		17	
11	3		8	
12	10		20	
13	Not used - maximum of 12 DIMMs in systems with 1 microprocessor		2	3
14			14	
15			11	
16			23	
17			6	
18			18	
19			7	
20			19	
21			3	
22			15	
23			10	
24			22	

Install DIMMs in order as indicated in the following table for rank-sparing mode.

Table 16. DIMM population sequence for rank-sparing mode

DIMM pair installation order	2 DIMMs per channel		3 DIMMs per channel	
	1 microprocessor installed	2 microprocessors installed	1 microprocessor installed	2 microprocessors installed
1	4 and 5	4 and 5	4, 5, and 6	4, 5, and 6
2	8 and 9	20 and 21	7, 8, and 9	19, 20, and 21
3	1 and 2	8 and 9	1, 2, and 3	7, 8, and 9
4	11 and 12	16 and 17	10, 11, and 12	16, 17 and 18
5	n/a	1 and 2	n/a	1, 2, and 3
6		23 and 24		22, 23, and 24
7		11 and 12		10, 11, and 12
8		13 and 14		13, 14, and 15

Install DIMMs in order as indicated in the following table for mirrored-channel mode.

Table 17. DIMM population sequence for mirrored-channel mode

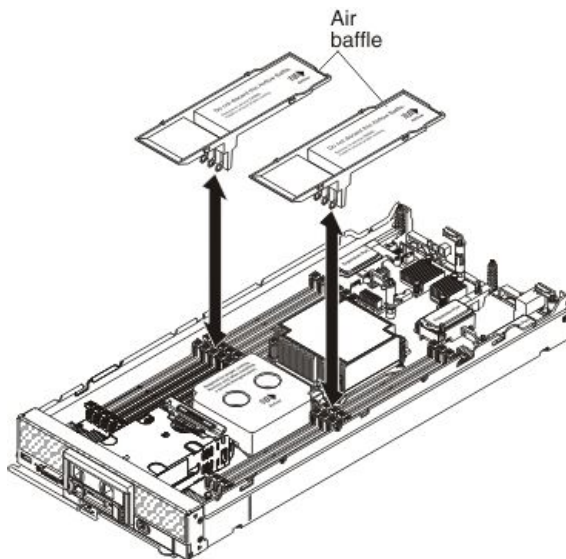
DIMM pair	1 microprocessor installed		2 microprocessors installed	
	DIMM slot numbers	DIMMs per channel	DIMM slot numbers	DIMMs per channel
1	4 and 1 ¹	1	4 and 1 ¹	1
2	9 and 12 ¹		21 and 24 ¹	
3	2 and 5 ¹	2	9 and 12 ¹	2
4	8 and 11 ¹		13 and 16 ¹	
5	3 and 6 ¹	3	2 and 5 ¹	2
6	7 and 10 ¹		20 and 23 ¹	
7	none		8 and 11 ¹	
8	none		14 and 17 ¹	
9	none		3 and 6 ¹	3
10	none		19 and 22 ¹	
11	none		7 and 10 ¹	
12	none		15 and 18 ¹	

1. For mirrored-channel mode, the DIMM pair must be identical in size, type, and rank count.

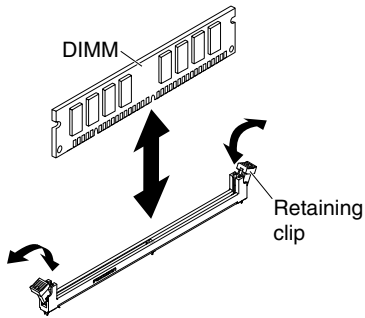
To install a DIMM, complete the following steps:

Note: Remove or install DIMMs for one microprocessor at a time.

- Step 1. Remove the cover (see “Removing the compute node cover” on page 881).
- Step 2. Read the documentation that comes with the DIMM.
- Step 3. Remove the air baffle installed over the DIMM connector.



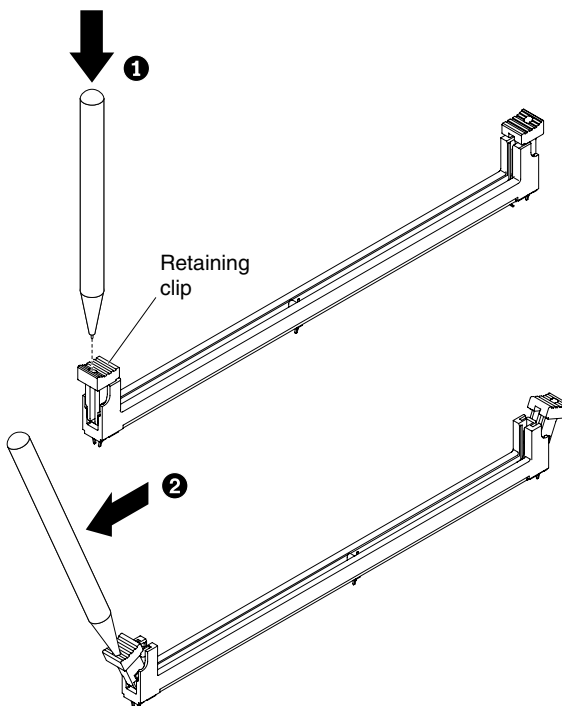
- Step 4. Locate the DIMM connectors (see “System-board connectors” on page 17). Determine in which DIMM connector you want to install the DIMM.
- Step 5. Touch the static-protective package that contains the DIMM to any *unpainted* metal surface on the Lenovo Flex System chassis or any *unpainted* metal surface on any other grounded rack component in the rack in which you are installing the DIMM for at least 2 seconds; then, remove the DIMM from its package.



Step 6. Make sure that both retaining clips on the DIMM connector are in the open position.

Attention: To avoid breaking the retaining clips or damaging the DIMM connector, handle the clips gently.

Note: The retaining clips for adjacent DIMM connectors of microprocessor one and microprocessor two can not be open at the same time. Remove or install the DIMMs for each microprocessor one at a time.

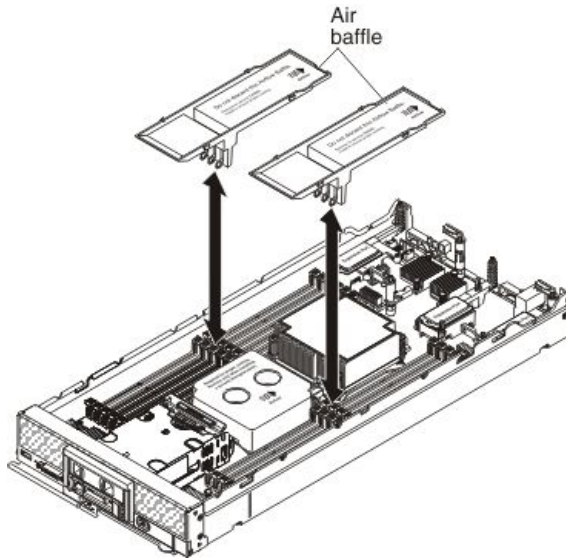


Note: If necessary due to space constraints, you can use a pointed tool to open the retaining clips. Place the tip of the tool in the recess on the top of the retaining clip; then, carefully rotate the retaining clip away from the DIMM connector.

Step 7. Turn the DIMM so that the DIMM keys align correctly with the DIMM connector on the system board.

Step 8. Press the DIMM into the DIMM connector. The retaining clips lock the DIMM into the connector.

Step 9. Make sure that the small tabs on the retaining clips engage the notches on the DIMM. If there is a gap between the DIMM and the retaining clips, the DIMM has not been correctly installed. Press the DIMM firmly into the connector, and then press the retaining clips toward the DIMM until the tabs are fully seated. When the DIMM is correctly installed, the retaining clips are parallel to the sides of the DIMM.



Note: Retaining clips on the DIMM connectors must be in the closed position to install the air baffles.

Step 10. Install the air baffle over the DIMM connector.

Attention: To maintain proper system cooling, do not operate the compute node without air baffles installed over the DIMM connectors.

After you install the DIMM, complete the following steps:

1. Install the cover onto the compute node (see “Installing the compute node cover” on page 883 for instructions).
2. Install the compute node into the chassis (see “Installing a compute node in a chassis” on page 875 for instructions).

Removing a hard disk drive backplane

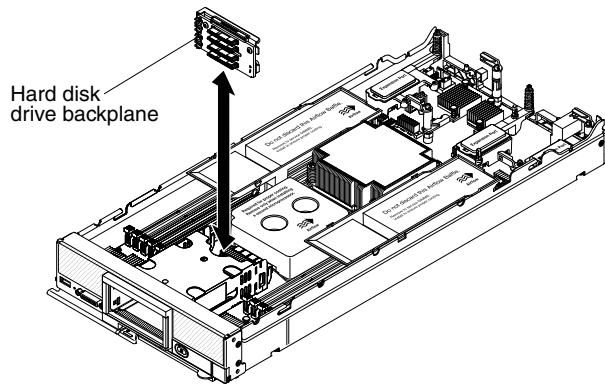
Use this information to remove a hard disk drive backplane.

Before you remove the hard disk drive backplane, complete the following steps:

1. Read “Safety” on page v and “Installation guidelines” on page 873.
2. If the compute node is installed in a chassis, remove it (see “Removing a compute node from a chassis” on page 874 for instructions).
3. Carefully lay the compute node on a flat, static-protective surface, orienting the compute node with the bezel pointing toward you.

Note: Several different types of hard disk drive backplane can be installed in the compute node: all are removed and installed in a similar manner. See the documentation that comes with an optional hard disk drive backplane for device-specific information and information about removing other components that might be included as part of the option. The hard disk drive backplane shown in the illustrations might differ slightly from the backplane installed in your compute node.

To remove a hard disk drive backplane, complete the following steps.



- Step 1. Remove the cover (see “Removing the compute node cover” on page 881).
- Step 2. If an optional RAID adapter is installed that has a cable connected to the hard disk drive backplane, disconnect the cable (see the documentation for your RAID adapter for additional information).
- Step 3. Remove any hard disk drive bay fillers; then, pull the hard disk drives or solid state drive mounting sleeves out slightly from the bays to disengage them from the backplane.
- Step 4. Lift out the hard disk drive backplane.

If you are instructed to return the hard disk drive backplane, follow all packaging instructions, and use any packaging materials for shipping that are supplied to you.

Installing a hard disk drive backplane

Use this information to install a hard disk drive backplane.

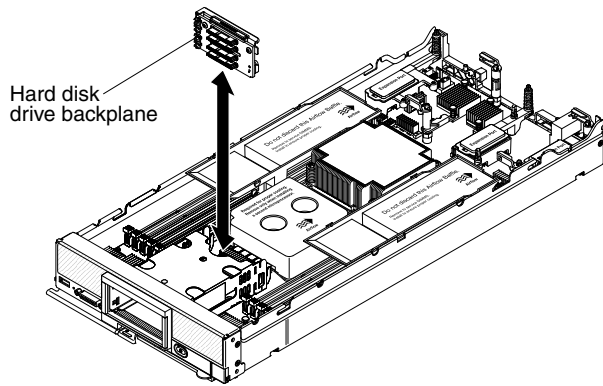
Before you install a hard disk drive backplane, complete the following steps:

1. Read “Safety” on page v and “Installation guidelines” on page 873.
2. If the compute node is installed in a chassis, remove it (see “Removing a compute node from a chassis” on page 874 for instructions).
3. Carefully lay the compute node on a flat, static-protective surface, orienting the compute node with the bezel pointing toward you.

Notes:

- Several different types of hard disk drive backplane can be installed in the compute node: all are removed and installed in a similar manner. The hard disk drive backplane shown in the illustrations might differ slightly from the backplane installed in your compute node.
- See the documentation that comes with an optional hard disk drive backplane for device-specific information and information about installing other components that might be included as part of the option or about other components or modules that must be installed to use the option. For example, some optional hard disk drive backplanes might require installation of a second microprocessor.

To install a hard disk drive backplane, complete the following steps.



Step 1. Remove the cover (see “Removing the compute node cover” on page 881).

Important: If you are installing a hard disk drive backplane that uses a solid state drive mounting sleeve, install the backplane before you install the mounting sleeve.

Note: All hard disk drive backplanes use the same connector on the system board; however, there are two alignment slots in the hard disk drive cage to accommodate different backplane types. Make sure that you align the backplane and system board connectors when inserting the backplane in the hard disk drive cage.

Step 2. Align the backplane with the hard disk drive cage and the connector on the system board and press the backplane into position until it is fully seated in the connector.

Step 3. If an optional RAID adapter is installed that has a cable that connects to the hard disk drive backplane, connect the cable (see the documentation for your RAID adapter for additional information).

Step 4. Insert the hot-swap hard disk drives, solid state drive mounting sleeves, and hard disk drive bay fillers.

After you install the hard disk drive backplane, complete the following steps:

1. Install the cover onto the compute node (see “Installing the compute node cover” on page 883 for instructions).
2. Install the compute node into the chassis (see “Installing a compute node in a chassis” on page 875 for instructions).

Removing a hot-swap hard disk drive

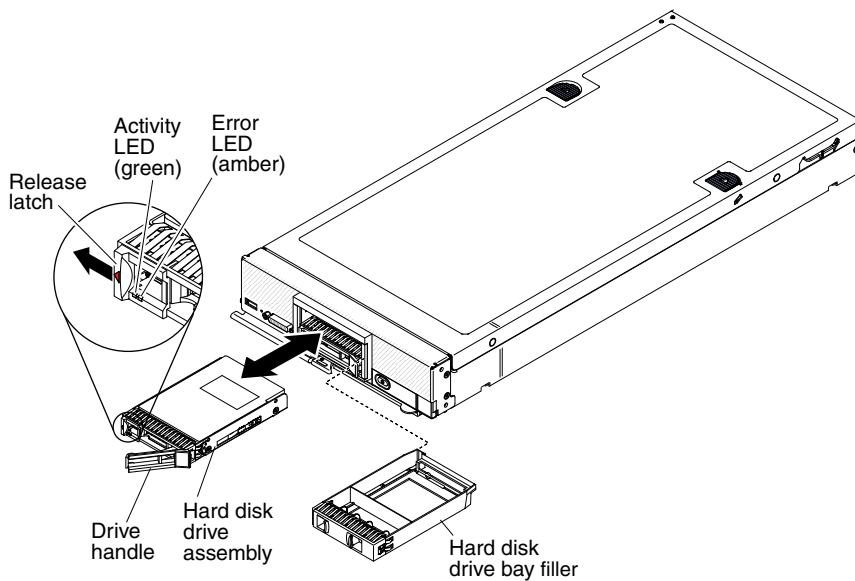
Use this information to remove a hot-swap hard disk drive.

Before you remove a hot-swap hard disk drive, complete the following steps:

Note: For information about removing optional 1.8-inch hot-swap solid-state drives, see “Removing a 1.8-inch solid state drive” on page 912.

1. Back up all important data before you make changes to hard disk drives.
2. Read “Safety” on page v and “Installation guidelines” on page 873.

To remove a hot-swap hard disk drive, complete the following steps.



Step 1. Press the release latch (orange) on the hard disk drive to release the drive handle.

Step 2. Pull the release handle to remove the drive from the bay.

If you are instructed to return the hard disk drive, follow all packaging instructions, and use any packaging materials for shipping that are supplied to you.

Installing a hot-swap hard disk drive

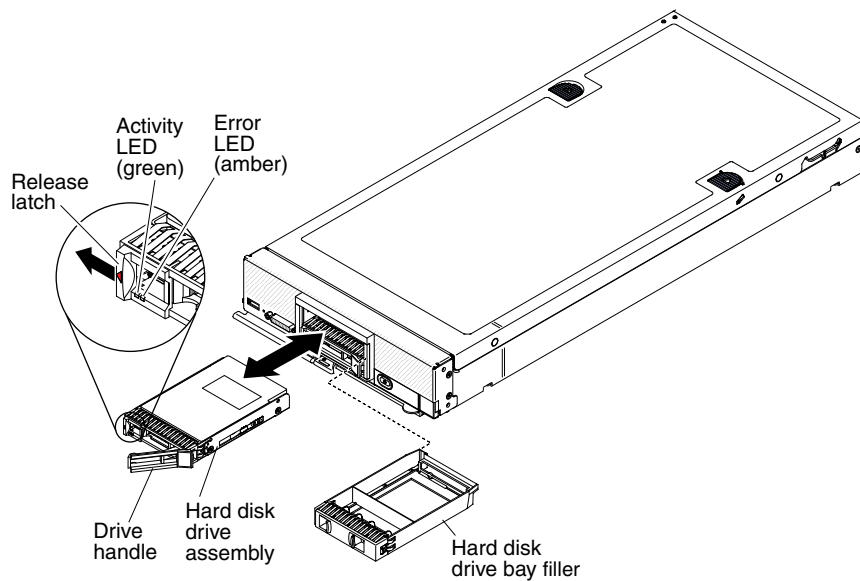
Use this information to install a hot-swap hard disk drive.

Before you install the hot-swap hard disk drive, read “Safety” on page v and “Installation guidelines” on page 873.

The compute node has two SAS hard disk drive bays for installing hot-swap hard disk drives. One hard disk drive might already be installed in the compute node. If the compute node is equipped with one hard disk drive, you can install an additional drive. RAID level-0 (striping) can be configured on a compute node with a single hard disk drive installed. A minimum of two disk drives of the same interface type must be installed to implement and manage RAID level-1 (mirroring) arrays. See “Configuring a RAID array” on page 33 for information about RAID configuration.

Note: For information about installing optional 1.8-inch hot-swap solid-state drives, see “Installing a 1.8-inch solid state drive” on page 914.

To install a hot-swap hard disk drive or hard disk drive bay filler, complete the following steps.



- Step 1. Identify the hard disk drive bay in which you plan to install the hot-swap hard disk drive.
- Step 2. If a hard disk drive bay filler is installed, remove it from the compute node by pulling the release lever and sliding the filler away from the compute node.
- Step 3. Touch the static-protective package that contains the hot-swap hard disk drive to any *unpainted* metal surface on the Lenovo Flex System chassis or any *unpainted* metal surface on any other grounded rack component; then, remove the hard disk drive from the package.
- Step 4. Open the release lever on the hot-swap hard disk drive and slide the drive into the bay until it is firmly seated in the connector.
- Step 5. Lock the hot-swap hard disk drive into place by closing the release lever.
- Step 6. Check the hard disk drive status LEDs to make sure that the hard disk drive is operating correctly.

See “Configuring a RAID array” on page 33 for information about SAS RAID configuration.

Removing a solid state drive mounting sleeve

Use this information to remove an optional solid state drive mounting sleeve.

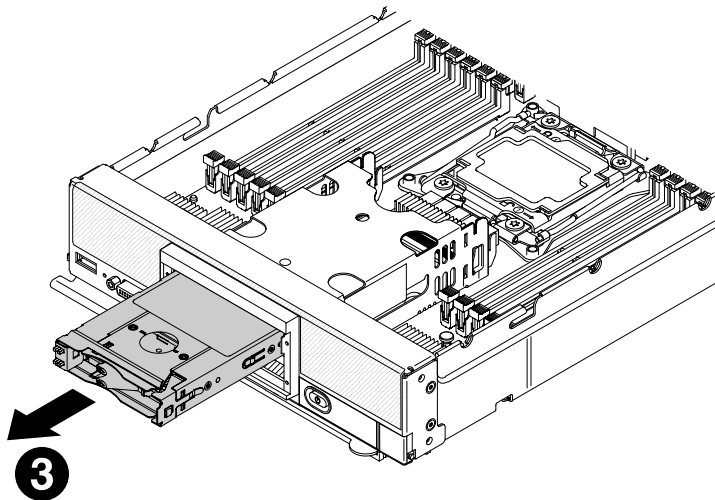
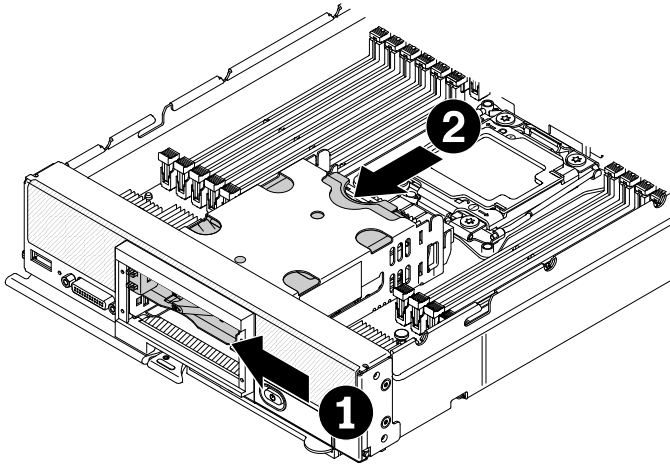
The solid state drive mounting sleeve is required to install optional 1.8-inch hot-swap solid-state drives (SSDs). Each mounting sleeve can hold up to two 1.8-inch hot-swap SSDs. When solid state drive mounting sleeves are used, two sleeves are installed in the compute node.

Before you remove a solid state drive mounting sleeve, complete the following steps:

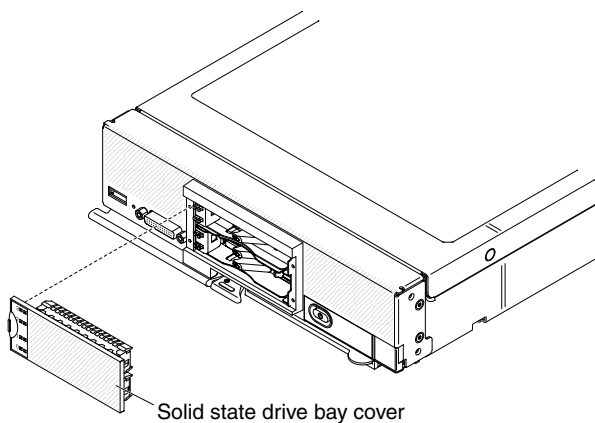
1. Read “Safety” on page v and “Installation guidelines” on page 873.
2. If the Lenovo Flex System x240 M5 compute node is installed in a chassis, remove it (see “Removing a compute node from a chassis” on page 874 for instructions).
3. Carefully lay the compute node on a flat, static-protective surface, orienting the compute node with the bezel pointing toward the left.

Note: There are two solid state drive mounting sleeves. The upper solid state drive mounting sleeve must be removed first.

To remove the solid state drive mounting sleeves, complete the following steps.



- Step 1. Remove the compute node cover (see “Removing the compute node cover” on page 881).
- Step 2. Locate the solid state drive mounting sleeves on the compute node.



- Step 3. Remove the solid state drive bay cover.
- Step 4. Remove any SSD disk drives (see “Removing a 1.8-inch solid state drive” on page 912).
- Step 5. Press the tab at the front right side of the upper SSD mounting sleeve; then, press the top rear of the upper solid state drive mounting sleeve forward, slide it away from the compute node, and remove the sleeve from the bay.

Note: Use your finger nail or a flat-blade screwdriver to press the tab at the front right side of the SSD mounting sleeve. It might be easier to press the tab if the bezel is removed.

Step 6. Press the tab at the front right side of the lower SSD mounting sleeve; then, press the top rear of the lower solid state drive mounting sleeve forward, slide it away from the compute node, and remove the sleeve from the bay.

Important: Do not pry against the hard disk drive backplane or its connectors when sliding the lower SSD mounting sleeve forward.

If you are instructed to return a solid state drive mounting sleeve, follow all packaging instructions, and use any packaging materials for shipping that are supplied to you.

If you are no longer planning to install SSD disk drives in the compute node, replace the hard disk drive backplane and compute node bezel, and hard disk drives or fillers with the components that were originally installed in the compute node. For information about replacing the hard disk drive backplane, see “Removing a hard disk drive backplane” on page 905 and “Installing a hard disk drive backplane” on page 906. For information about replacing the compute node bezel, see “Removing the bezel” on page 890 and “Installing the bezel” on page 890.

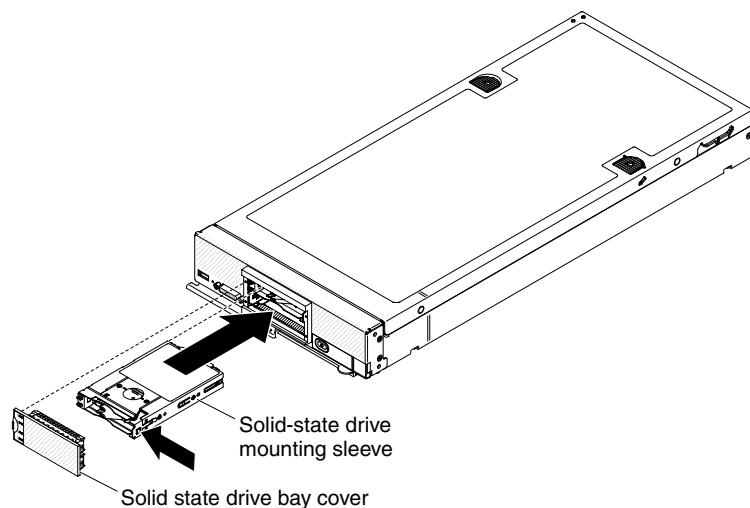
Installing a solid state drive mounting sleeve

Use this information to install an optional solid state drive mounting sleeve.

The solid state drive mounting sleeve is required to install optional 1.8-inch hot-swap solid-state drives (SSDs). Each mounting sleeve can hold up to two 1.8-inch hot-swap SSDs. When solid state drive mounting sleeves are used, two sleeves are installed in the compute node.

Before you install a hot-swap hard disk drive, read “Safety” on page v and “Installation guidelines” on page 873.

To install a solid state drive mounting sleeve, complete the following steps.



Important: Installation of a solid state drive mounting sleeve requires installation of a compatible solid-state drive backplane, bezel, and solid state drive bay cover.

Step 1. Remove the compute node cover (see “Removing the compute node cover” on page 881).

Step 2. Identify the hard disk drive bay in which you plan to install the solid state drive mounting sleeve.

Important: If you are installing a hard disk drive backplane that uses a solid state drive mounting sleeve, install the backplane before you install the mounting sleeve (see “Installing a hard disk drive backplane” on page 906).

- Step 3. Touch the static-protective package that contains the solid state drive mounting sleeve to any *unpainted* metal surface on the Lenovo Flex System chassis or any *unpainted* metal surface on any other grounded rack component; then, remove the solid state drive mounting sleeve from the package.
- Step 4. Orient the solid state drive mounting sleeve so that the status LEDs are toward the left.
- Step 5. Slide the solid state drive mounting sleeve into the bay until it is firmly seated in the connector.
- Step 6. Install any SSD disk drives (see “Installing a 1.8-inch solid state drive” on page 914).
- Step 7. Install the solid state drive bay cover.

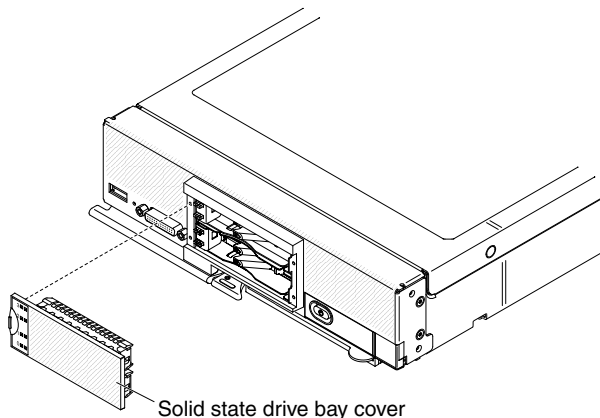
Removing a 1.8-inch solid state drive

Use this information to remove a 1.8-inch hot-swap solid state drive (SSD). Solid state drives can be installed in the compute node, only if an SSD enablement kit is installed.

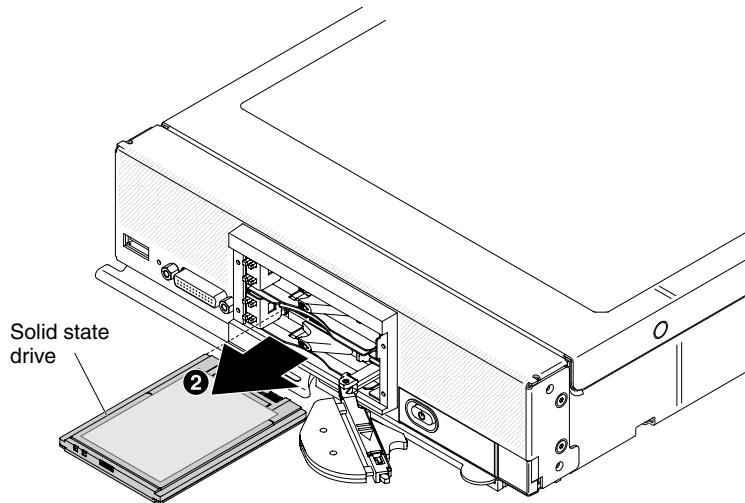
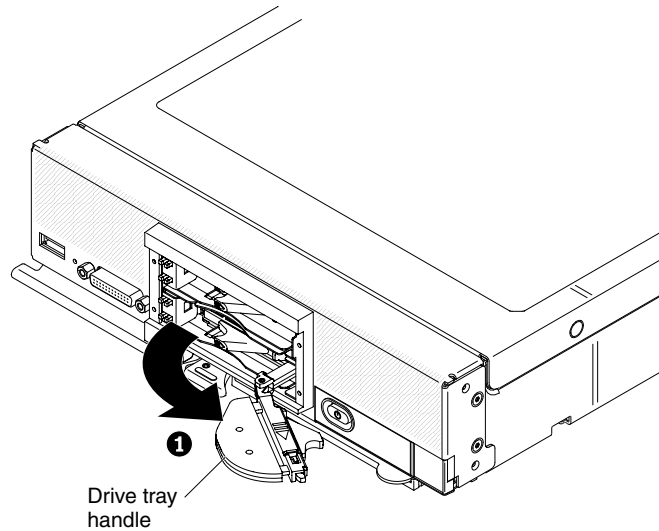
Before you remove a hot-swap solid state drive, complete the following steps:

1. Back up all important data before you make changes to solid state drives.
2. Read “Safety” on page v and “Installation guidelines” on page 873.

To remove a hot-swap solid state drive, complete the following steps:



- Step 1. Remove the solid state drive bay cover.



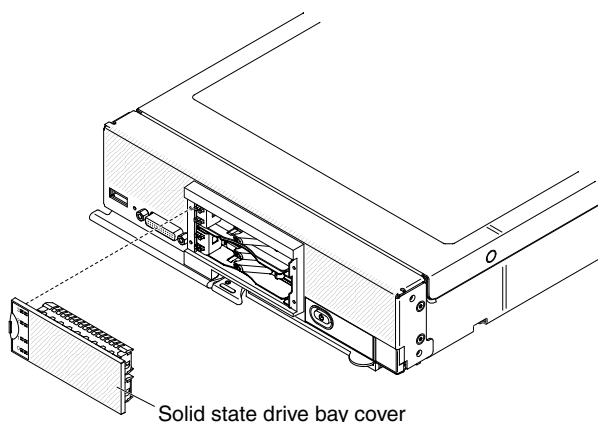
Step 2. For the solid state drive that you want to remove, slide the release latch and rotate the loose end of the drive tray handle away from the compute node.

Step 3. Pull forward on the drive tray handle to disengage the solid state drive; then, slide the solid state drive out of the drive bay.

Note: When you remove a drive from the compute node, consider labeling the drive to indicate the drive bay from which the drive was removed so that you can install the drive back in to the same drive bay.

Step 4. Close the drive tray handle and secure it with the latch.

Note: You might have to press the latch before you close the drive tray handle.



Step 5. Orient the solid state drive bay cover so that the LED label is toward the left.

Step 6. Press the solid state drive bay cover into the front of the compute node until it is firmly seated.

If you are instructed to return the solid state drive, follow all packaging instructions, and use any packaging materials for shipping that are supplied to you.

Installing a 1.8-inch solid state drive

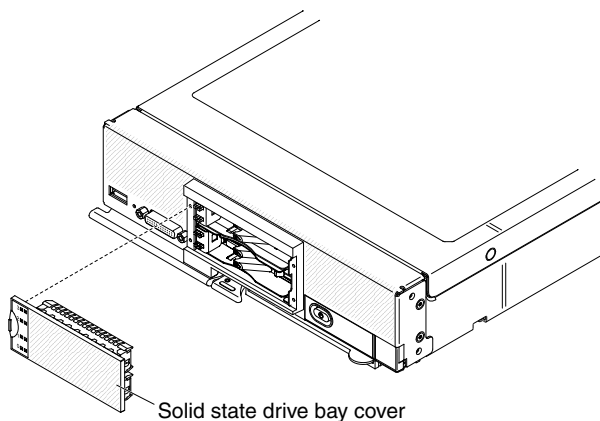
Use this information to install a 1.8-inch hot-swap solid state drive (SSD). Solid state drives can be installed in both the upper and lower compute nodes, if an SSD mounting sleeve is installed.

You can install up to four 1.8-inch solid state drives (SSDs) in a compute node if an optional SSD mounting sleeve is installed in the compute node. At least one 1.8-inch solid state drive must be installed in the SSD mounting sleeve. The 1.8-inch solid-state drives used in the Lenovo Flex System x240 M5 compute node are hot-swap drives.

RAID level-0 (striping) can be configured on a compute node with a single hard disk drive installed. A minimum of two disk drives of the same interface type must be installed to implement and manage RAID level-1 (mirroring) arrays. See “Configuring a RAID array” on page 33 for information about RAID configuration. Additional RAID levels are supported if an optional RAID controller is installed in the compute node.

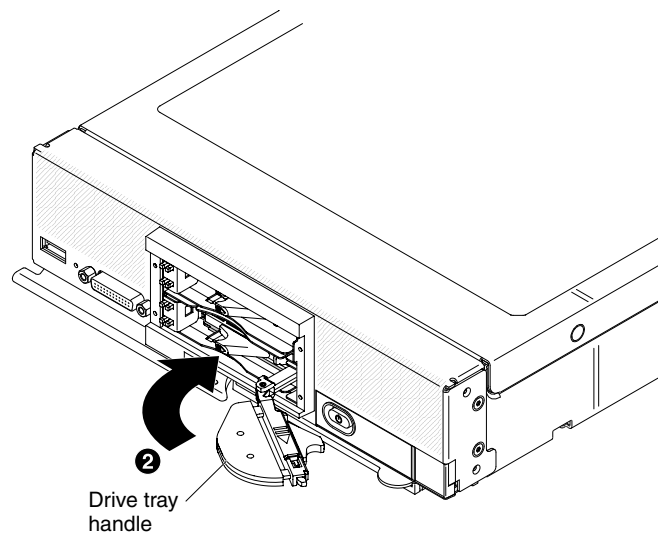
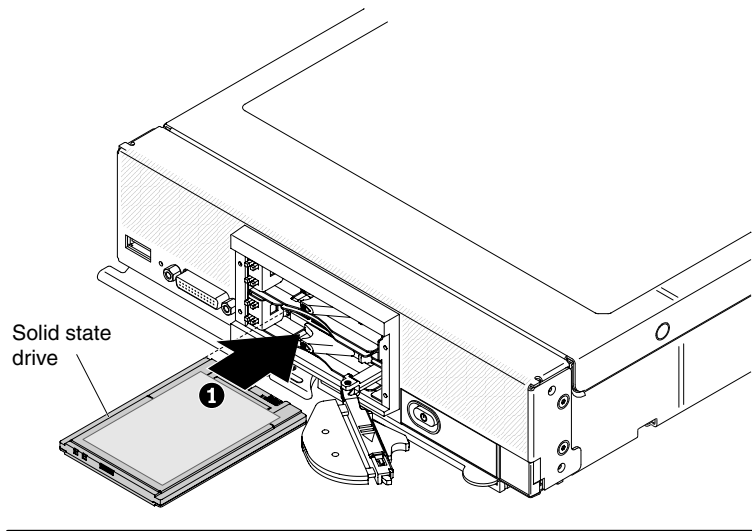
Before you install a 1.8-inch hot-swap solid state drive, read “Safety” on page v and “Installation guidelines” on page 873.

To install a 1.8-inch hot-swap solid state drive, complete the following steps:



Step 1. Remove the solid state drive bay cover.

- Step 2. For the solid state drive that you want to install, slide the release latch and rotate the loose end of the drive tray handle away from the compute node. Hook the recess on the drive tray handle on the tab on the right side of the solid state drive mounting sleeve to hold the drive tray handle in the open position.



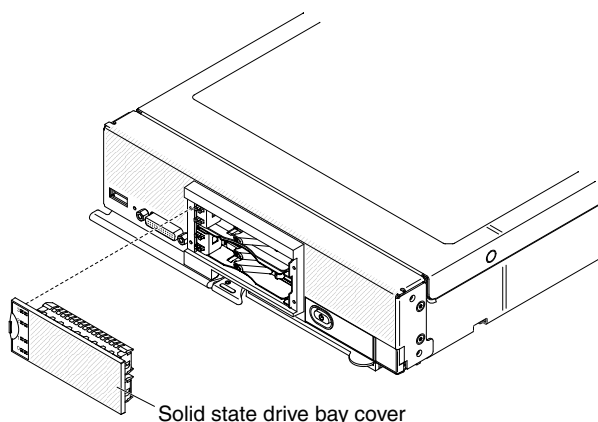
- Step 3. Touch the static-protective package that contains the solid state drive to any *unpainted* metal surface on the chassis or any *unpainted* metal surface on any other grounded rack component; then, remove the solid state drive from the package.
- Step 4. Orient the solid state drive so that the label on the drive is facing up (solid state drive connector contacts are facing down).

Note: There are no keys to prevent the drive from being inserted in the drive bay upside down. If the drive is inserted upside down, it will not seat in the connector and you will not be able to fully close the drive tray handle.

- Step 5. Slide the solid state drive into the drive bay until it is firmly seated in the connector.
- Step 6. Close the drive tray handle and secure it with the latch.

Note: You might have to press the latch before you close the drive tray handle.

- Step 7. Repeat steps Step 3 on page 915 through Step 6 on page 915 for each solid state drive being installed.



Step 8. Orient the solid state drive bay cover so that the LED label is toward the left.

Step 9. Press the solid state drive bay cover into the front of the compute node until it is firmly seated.

See “Configuring a RAID array” on page 33 for information about RAID configuration.

Removing a ServeRAID M5215 controller

Use this information to remove a ServeRAID M5215 controller.

When the ServeRAID controller is removed, software RAID is not supported. The compute node does not support downgrading to the software RAID function from the hardware RAID configuration.

Before you remove the ServeRAID M5215 controller, complete the following steps:

1. Read “Safety” on page v and “Installation guidelines” on page 873.
2. If the compute node is installed in an Lenovo Flex System chassis, remove it (see “Removing a compute node from a chassis” on page 874 for instructions).
3. Carefully lay the compute node on a flat, static-protective surface, orienting the compute node with the bezel pointing toward you.

The ServeRAID M5215 controller uses a specific hard disk drive backplane.

- If you are removing the ServeRAID M5215 option from your compute node, you need to remove both the ServeRAID controller and its backplane, replacing the ServeRAID M5215 backplane with the hard disk drive backplane that came with your compute node.
- If you are removing only the ServeRAID M5215 controller to replace it, there is no need to remove the ServeRAID M5215 backplane.

To remove the ServeRAID M5215 controller, complete the following steps.

Note: For additional information about removing a ServeRAID M5215 controller, see the “*ServeRAID M5215 with 2GB Flash Enablement - Lenovo Flex System x240 M5 Installation Guide*” at <http://pic.dhe.ibm.com/infocenter/flexsys/information/topic/com.ibm.acc.common.nav.doc/options.html>.

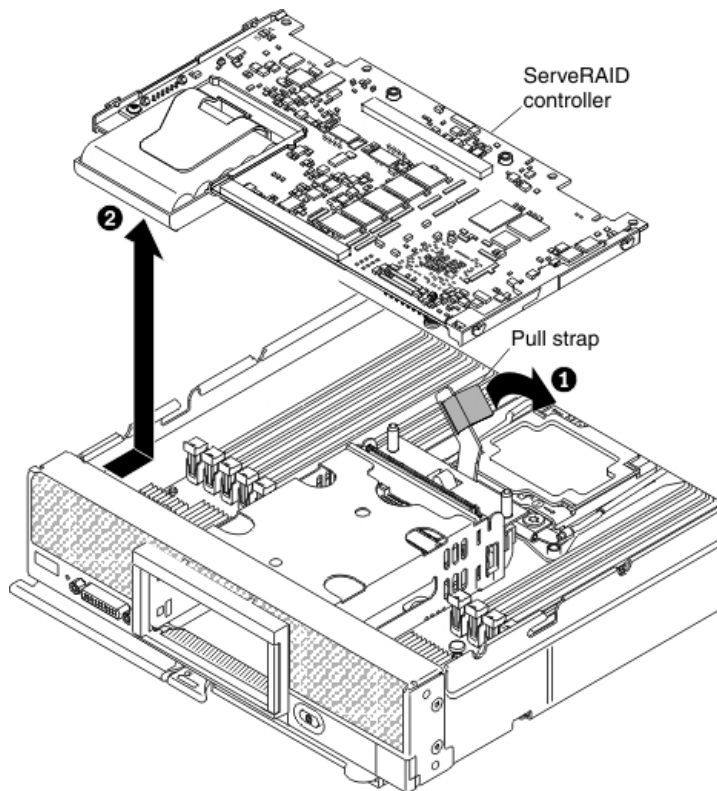
Step 1. Remove the cover (see “Removing the compute node cover” on page 881).

Step 2. If you are removing the ServeRAID M5215 controller and backplane, remove any storage drives and hard disk drive bay fillers and set them aside on a static-protective surface. (see “Removing a hot-swap hard disk drive” on page 907).

Note: Install storage drives and solid state drive mounting sleeves in the same bay locations as from which they were removed.

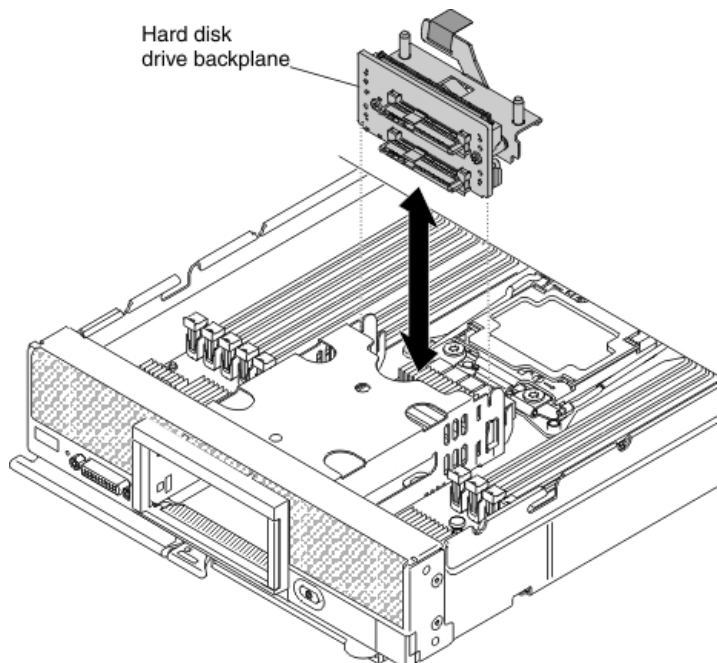
Step 3. Locate the ServeRAID controller installed in the compute node.

Step 4. Remove the ServeRAID controller.



- a. Lift and rotate the lever on the hard disk drive backplane to disengage the ServeRAID controller from its connector.
- b. Lift the ServeRAID controller and remove it from the compute node.

Step 5. Lift and remove ServeRAID hard disk drive backplane from the system-board assembly (see “Removing a hard disk drive backplane” on page 905).



If you are instructed to return the ServeRAID controller or the ServeRAID controller backplane, follow all packaging instructions, and use any packaging materials for shipping that are supplied to you.

Installing a ServeRAID M5215 controller

Use this information to install a ServeRAID M5215 controller.

ServeRAID M5215 controller has an LSI 3108 SAS controller that supports RAID levels 0 and 1 when installed in a Lenovo Flex System x240 M5 compute node. When an optional ServeRAID M5215 controller is installed in the compute node, it overrides the hard disk drive controller that is on the compute node system board.

Before you install the ServeRAID M5215 controller, complete the following steps:

1. Read “Safety” on page v and “Installation guidelines” on page 873.
2. If the compute node is installed in an Lenovo Flex System chassis, remove it (see “Removing a compute node from a chassis” on page 874 for instructions).
3. Carefully lay the compute node on a flat, static-protective surface, orienting the compute node with the bezel pointing toward you.

To install the ServeRAID M5215 controller, complete the following steps.

Notes:

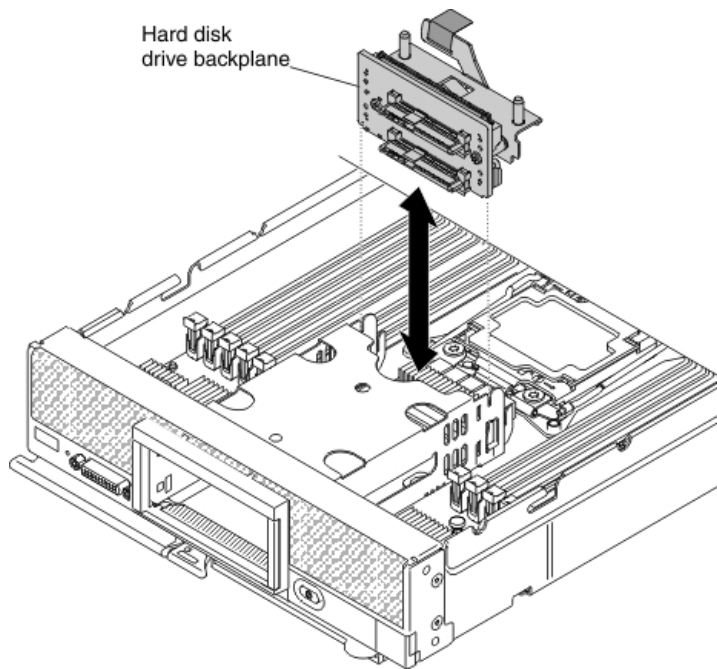
- While replacing an adapter, backup or record your RAID configuration information beforehand if possible. See the documentation for your RAID adapter for information and instructions. Documentation for ServeRAID adapters can be downloaded from <http://www.lenovo.com/support>.
- For additional information about installing a ServeRAID M5215 controller, see the “*ServeRAID M5215 with 2GB Flash Enablement - Lenovo Flex System x240 M5 Installation Guide*” at <http://pic.dhe.ibm.com/infocenter/flexsys/information/topic/com.ibm.acc.common.nav.doc/options.html>.

Step 1. Remove the cover (see “Removing the compute node cover” on page 881).

Step 2. If a hard disk drive backplane is installed in the compute node that is not compatible with the ServeRAID M5215 controller, remove it (see “Removing a hard disk drive backplane” on page 905).

Note: All hard disk drive backplanes use the same connector on the system board; however, there are two alignment slots in the hard disk drive cage to accommodate different backplane types. Make sure that you align the backplane and system board connectors when inserting the backplane in the hard disk drive cage.

Step 3. If you are installing both the ServeRAID M5215 controller and hard disk drive backplane, install the ServeRAID M5215 hard disk drive backplane in the system-board assembly (see “Installing a hard disk drive backplane” on page 906). The ServeRAID M5215 controller hard disk drive backplane goes in the rear alignment slots on the hard disk drive cage.

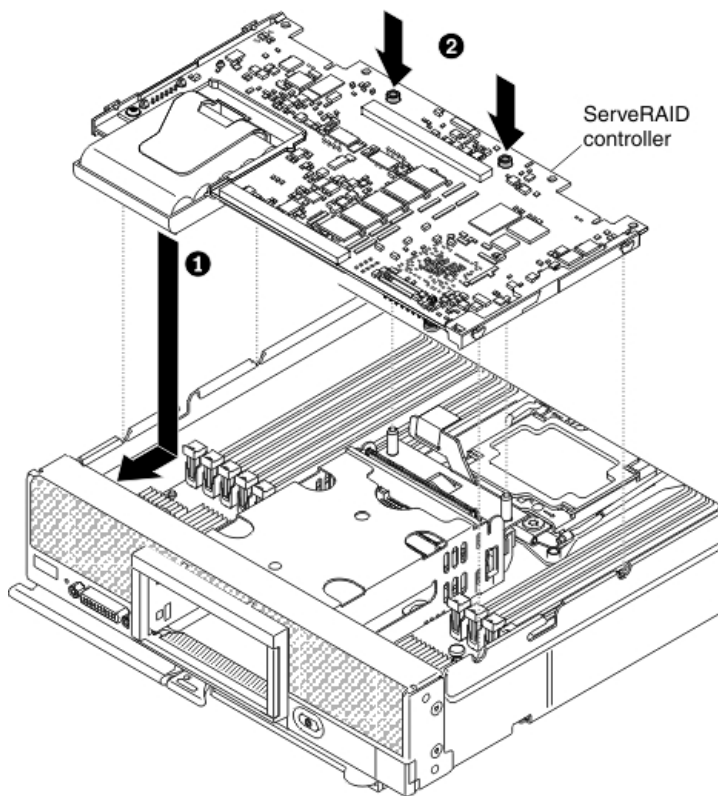


Step 4. Touch the static-protective package that contains the ServeRAID controller to an *unpainted* metal surface on any grounded rack component; then, remove the controller from the package.

Note: Make sure that the flash power module is installed in the ServeRAID controller before installing the controller in the compute node (see the "ServeRAID M5215 with 2GB Flash Enablement - Lenovo Flex System x240 M5 Installation Guide" at <http://pic.dhe.ibm.com/infocenter/flexsys/information/topic/com.ibm.acc.common.nav.doc/options.html> for information and instructions.

Step 5. Locate the ServeRAID controller connector on the hard disk drive backplane.

Step 6. Orient the connector on the ServeRAID controller with the connector on the hard disk drive backplane; then, press the controller into the connector.



Step 7. Firmly press on the indicated locations to seat the ServeRAID controller.

Note: Install storage drives in the same bay locations as from which they were removed.

Step 8. Install any removed storage drives and hard disk drive bay fillers (see “Installing a hot-swap hard disk drive” on page 908).

Step 9. Import your RAID configuration to the replacement ServeRAID adapter as a foreign configuration. See <https://support.lenovo.com/us/en/documents/MIGR-5086126> for instructions.

After you install the ServeRAID M5215 controller, complete the following steps:

1. Install the cover on the compute node (see “Installing the compute node cover” on page 883 for instructions).
2. Install the compute node into the chassis (see “Installing a compute node in a chassis” on page 875 for instructions).
3. Configure the RAID array using the LSI Logic Configuration Utility program (see “Using the LSI Logic Configuration Utility” on page 34).

Removing an interposer cable

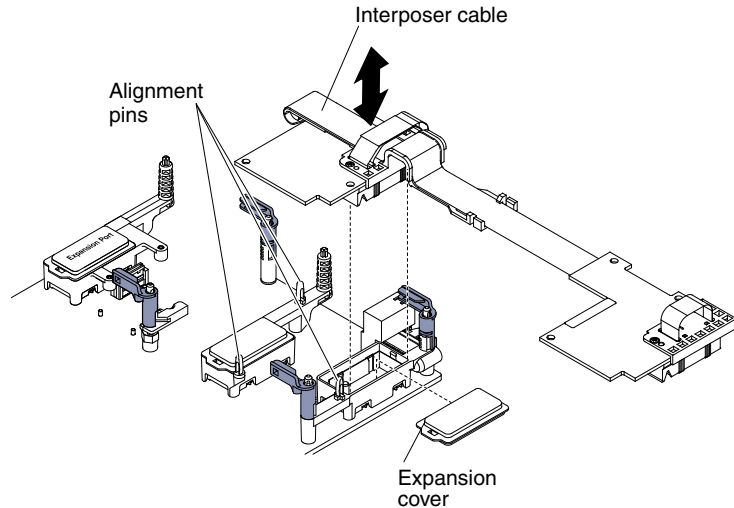
Use this information to remove an interposer cable.

Before you remove the interposer cable, complete the following steps:

1. Read “Safety” on page v and “Installation guidelines” on page 873.
2. If the compute node is installed in a chassis, remove it (see “Removing a compute node from a chassis” on page 874 for instructions).
3. Carefully lay the compute node on a flat, static-protective surface, orienting the compute node with the bezel pointing toward you.

To remove an interposer cable, complete the following steps.

Note: Some expansion nodes require an interposer cable that might be part of the expansion node. See the documentation that comes with your expansion node for additional information and instructions for removing this type of interposer cable (see Expansion nodes at http://pic.dhe.ibm.com/infocenter/flexsys/information/topic/com.ibm.acc.common.nav.doc/expansion_blades.html).



- Step 1. Remove the cover (see “Removing the compute node cover” on page 881).
- Step 2. Locate the interposer connector (see “System-board connectors” on page 17).
- Step 3. If an I/O expansion card is installed over the interposer connector, remove it (see “Removing an I/O expansion adapter” on page 922).
- Step 4. Lift the interposer cable from the connector and remove the cable from the compute node. You might find it helpful to rock the cable connector back and forth, from front to rear, to disengage the connector.

Important: Rocking the connector from side to side might damage the interposer connector.

- Step 5. If necessary, install the I/O expansion card (see “Installing an I/O expansion adapter” on page 923).

If you are instructed to return the interposer cable, follow all packaging instructions, and use any packaging materials for shipping that are supplied to you.

Installing an interposer cable

Use this information to install an interposer cable.

Before you install an interposer cable, complete the following steps.

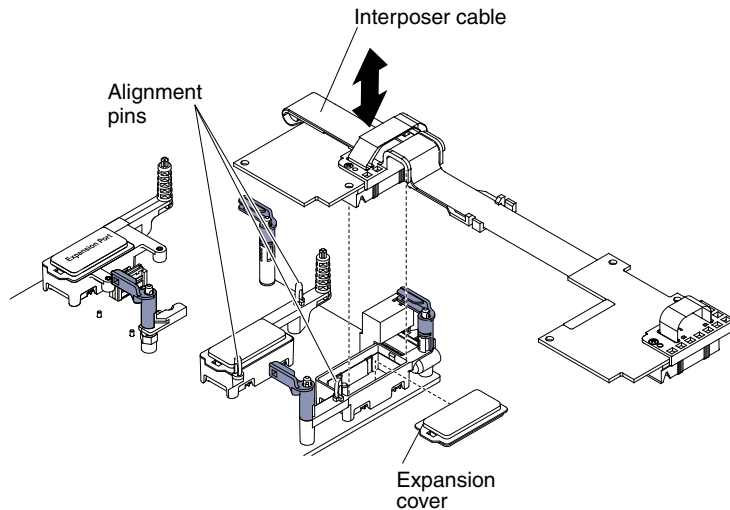
Note: Some expansion nodes require an interposer cable that might be part of the expansion node. See the documentation that comes with your expansion node for additional information and instructions for installing this type of interposer cable (see Expansion nodes at http://pic.dhe.ibm.com/infocenter/flexsys/information/topic/com.ibm.acc.common.nav.doc/expansion_blades.html).

1. Read “Safety” on page v and “Installation guidelines” on page 873.
2. If the compute node is installed in a chassis, remove it (see “Removing a compute node from a chassis” on page 874 for instructions).
3. Carefully lay the compute node on a flat, static-protective surface, orienting the compute node with the bezel pointing toward you.

This component can be installed as an optional device or as a CRU. The installation procedure is the same for the optional device and the CRU.

Two microprocessors must be installed for the compute node to support an interposer cable.

To install an interposer cable, complete the following steps:



- Step 1. Remove the cover (see “Removing the compute node cover” on page 881).
- Step 2. Locate the interposer connector (see “System-board connectors” on page 17).
- Step 3. If an I/O expansion adapter is installed over the interposer connector, remove it (see “Removing an I/O expansion adapter” on page 922).
- Step 4. Touch the static-protective package that contains the interposer cable to any *unpainted* metal surface on the Lenovo Flex System chassis or any *unpainted* metal surface on any other grounded rack component; then, remove the interposer cable from the package.
- Step 5. Remove the plastic cover from the interposer connector, if one is present.
- Step 6. Orient the connector on the interposer cable with the interposer connector and alignment pins on the system board; then, press the cable into the interposer connector.
- Step 7. Firmly press on the indicated locations to seat the interposer cable.
- Step 8. If necessary, install the I/O expansion adapter (see “Installing an I/O expansion adapter” on page 923).

After you install the interposer cable, complete the following steps:

1. See the documentation that comes with the optional device that attaches to the interposer cable to complete the installation.
2. Install the cover onto the compute node (see “Installing the compute node cover” on page 883 for instructions).

Removing an I/O expansion adapter

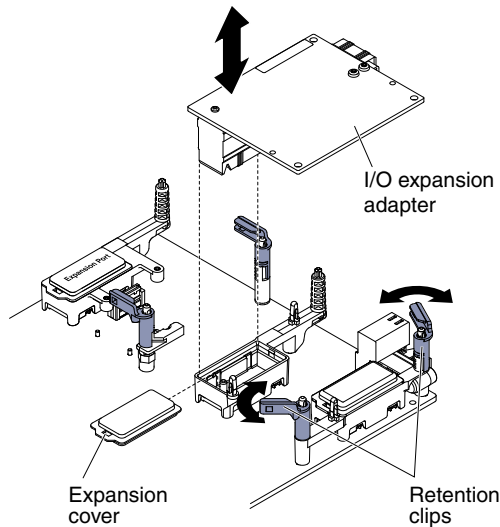
Use this information to remove an I/O expansion adapter.

Before you remove the I/O expansion adapter, complete the following steps:

1. Read “Safety” on page v and “Installation guidelines” on page 873.
2. If the compute node is installed in a chassis, remove it (see “Removing a compute node from a chassis” on page 874 for instructions).

3. Carefully lay the compute node on a flat, static-protective surface, orienting the compute node with the bezel pointing toward you.

To remove an I/O expansion adapter, complete the following steps.



- Step 1. Remove the cover (see “Removing the compute node cover” on page 881).
- Step 2. Locate the I/O expansion adapter connectors (see “System-board layouts” on page 17).
- Step 3. Open the retention clips.
- Step 4. Lift the I/O expansion adapter from the connector and remove the I/O expansion adapter from the compute node. You might find it helpful to rock the adapter back and forth, from front to rear, to disengage the adapter.

Important: Rocking the adapter from side to side might damage the I/O expansion adapter connector.

If you are instructed to return the I/O expansion adapter, follow all packaging instructions, and use any packaging materials for shipping that are supplied to you.

Installing an I/O expansion adapter

Use this information to install an I/O expansion adapter.

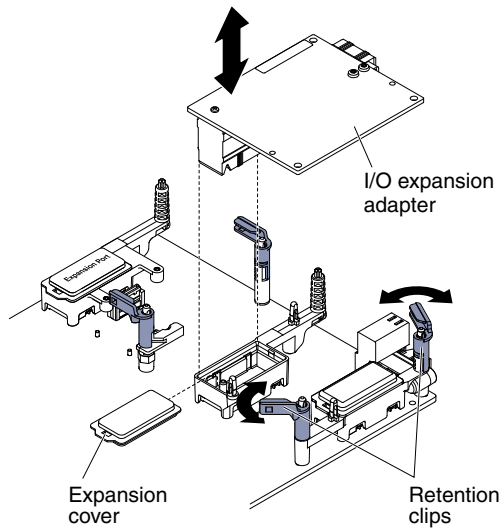
Before you install an I/O expansion adapter, complete the following steps:

1. Read “Safety” on page v and “Installation guidelines” on page 873.
2. If the compute node is installed in a chassis, remove it (see “Removing a compute node from a chassis” on page 874 for instructions).
3. Carefully lay the compute node on a flat, static-protective surface, orienting the compute node with the bezel pointing toward you.

This component can be installed as an optional device or as a CRU. The installation procedure is the same for the optional device and the CRU.

The optional Flex System PCIe Expansion Node supports additional PCIe adapters and I/O expansion adapters to provide a cost-effective way for you to increase and customize the capabilities of the compute node. For additional information, see "PCIe Expansion Node" at http://pic.dhe.ibm.com/infocenter/flexsys/information/topic/com.lenovo.acc.pme.doc/product_page.html.

To install an I/O expansion adapter, complete the following steps:



- Step 1. Remove the cover (see “Removing the compute node cover” on page 881).
- Step 2. Locate the I/O expansion connectors (see “System-board connectors” on page 17).
- Step 3. Remove the expansion cover from the connector, if one is present.
- Step 4. Touch the static-protective package that contains the expansion adapter to any *unpainted* metal surface on the Lenovo Flex System chassis or any *unpainted* metal surface on any other grounded rack component; then, remove the expansion adapter from the package.
- Step 5. Open the retention clips.
- Step 6. Orient the connector on the expansion adapter with the I/O expansion connector and alignment pins on the system board; then, press the adapter into the I/O expansion connector.
- Step 7. Firmly press on the indicated locations to seat the expansion adapter in the connector and over the alignment pins.
- Step 8. Close the retention clips.

After you install the I/O expansion adapter, complete the following steps:

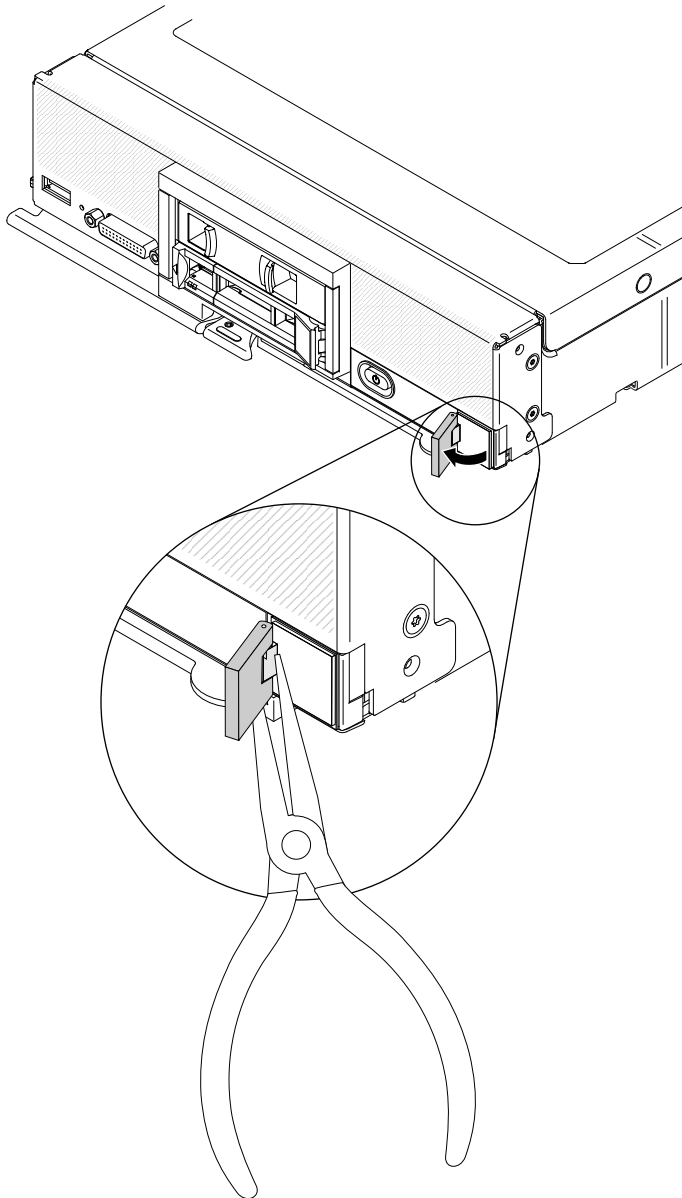
1. Install the cover onto the compute node (see “Installing the compute node cover” on page 883 for instructions).
2. Install the compute node into the chassis (see “Installing a compute node in a chassis” on page 875 for instructions).
3. See the documentation that comes with the expansion adapter for device-driver and configuration information to complete the installation.

Removing the RFID tag

Use this information to remove the RFID tag from the front panel.

Before you remove the RFID tag, read “Safety” on page v and “Installation guidelines” on page 873.

To remove the RFID tag, complete the following steps.



Step 1. If the RFID tag is still attached to its hinge, open the RFID tag.

Important: Use care when removing the RFID tag to avoid damaging the ID label plate.

Step 2. Use pliers to carefully grip the RFID hinge and gently pull and twist the base of the RFID tag from the ID label plate on the front panel of the compute node. Hold the ID label plate in place on the compute node front panel while removing the RFID tag.

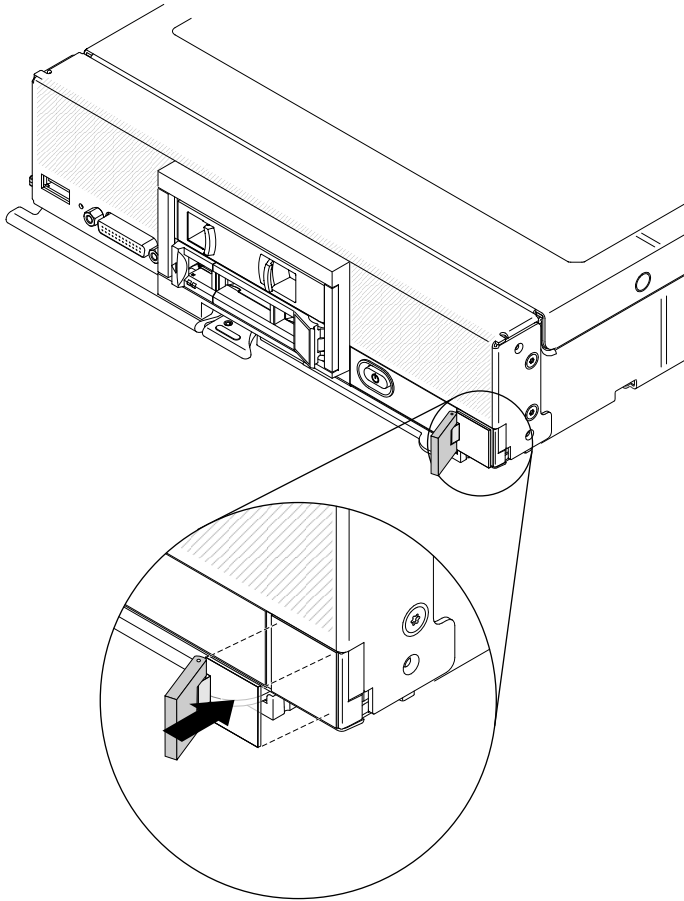
If you are instructed to return the RFID tag, follow all packaging instructions, and use any packaging materials for shipping that are supplied to you.

Installing the RFID tag

Use this information to install the RFID tag on the front panel.

Before you install the RFID tag, read “Safety” on page v and “Installation guidelines” on page 873.

To install the RFID tag, complete the following steps.



- Step 1. Make sure that the surface you are installing the tag on is thoroughly clean and dry.
- Step 2. Open the RFID tag; then, remove the backing from the base of the RFID tag to expose the adhesive.
- Step 3. Position the RFID tag over the ID label on the front panel of the compute node.
- Step 4. Press the RFID tag securely against the bezel and hold firmly in place for 30 seconds.

Notes:

- Allow 30 minutes before closing or opening the RFID tag.
- Allow 24 hours to achieve near maximum adhesion.

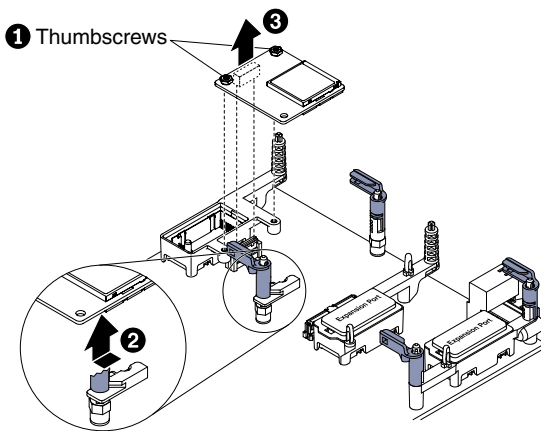
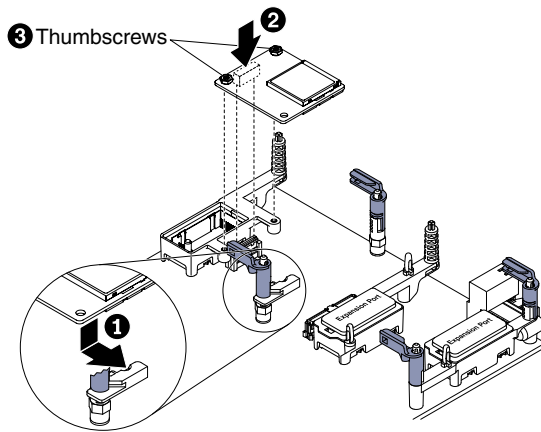
Removing the SD Media Adapter for System x

Use this information to remove an optional SD Media Adapter for System x (Adapter for SD Media or SD adapter).

Before you remove the Adapter for SD Media, complete the following steps:

1. Read “Safety” on page v and “Installation guidelines” on page 873.
2. If the compute node is installed in a chassis, remove it (see “Removing a compute node from a chassis” on page 874 for instructions).
3. Carefully lay the compute node on a flat, static-protective surface, orienting the compute node with the bezel pointing toward you.
4. Obtain a #1 Phillips screwdriver.

To remove the Adapter for SD Media, complete the following steps.



- Step 1. Remove the cover (see “Removing the compute node cover” on page 881).
- Step 2. If an I/O expansion adapter is installed over the Adapter for SD Media, remove it (see “Removing an I/O expansion adapter” on page 922).
- Step 3. Remove any SD cards that are installed in the Adapter for SD Media (see “Removing an SD card” on page 929).
- Step 4. Using a #1 Phillips screwdriver, loosen the two captive screws that secure the Adapter for SD Media.
- Step 5. Rotate the end of the Adapter for SD Media with the captive screws up; then, remove the adapter from the compute node.

If you are instructed to return the Adapter for SD Media, follow all packaging instructions, and use any packaging materials for shipping that are supplied to you.

Installing the SD Media Adapter for System x

Use this information to install an optional SD Media Adapter for System x (Adapter for SD Media or SD adapter).

Before you install the Adapter for SD Media, complete the following steps.

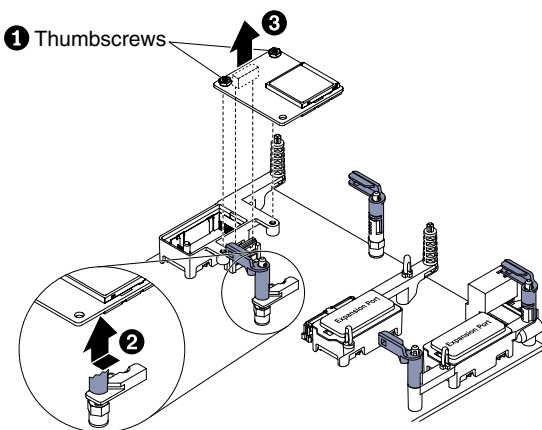
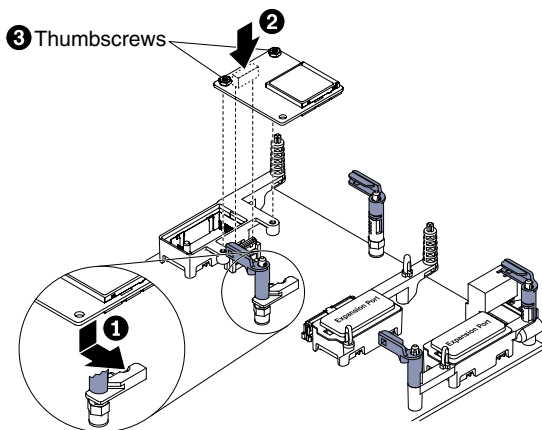
Important: If your SD adapter option comes with VMware vSphere ESXi software preloaded, you must make configuration changes to your system UEFI *before* installing the SD adapter in your compute node. See the documentation that comes with the SD adapter and “Using the Setup utility” on page 24 for information and instructions.

1. Read “Safety” on page v and “Installation guidelines” on page 873.

2. If the compute node is installed in a chassis, remove it (see “Removing a compute node from a chassis” on page 874 for instructions).
3. Carefully lay the compute node on a flat, static-protective surface, orienting the compute node with the bezel pointing toward you.
4. Obtain a #1 Phillips screwdriver.

This component can be installed as an optional device or as a CRU. The installation procedure is the same for the optional device and the CRU.

To install the Adapter for SD Media , complete the following steps:



- Step 1. Remove the cover (see “Removing the compute node cover” on page 881).
- Step 2. If an I/O expansion adapter or interposer cable is installed over the Adapter for SD Media location, remove it (see “Removing an I/O expansion adapter” on page 922 or “Removing an interposer cable” on page 920).

Note: If an Adapter for SD Media is installed in the compute node, you can not install an interposer cable.
- Step 3. Locate the Adapter for SD Media connector on the system board (see “System-board connectors” on page 17).
- Step 4. Install the Adapter for SD Media in the notch on the adapter-retention assembly; then, rotate the adapter into its connector on the system board. You might need to press firmly to seat the Adapter for SD Media in the notch on the adapter-retention assembly to align the connectors.
- Step 5. Using a #1 Phillips screwdriver, tighten the two captive screws to secure the adapter.

Attention: Make sure that the Adapter for SD Media is secure, but do not overtighten the screws to avoid damaging the adapter.

Step 6. Install any SD cards in the connectors (see “Installing an SD card” on page 930).

Step 7. If you removed the I/O expansion adapter, install it (see “Installing an I/O expansion adapter” on page 923).

After you install the Adapter for SD Media, complete the following steps:

1. Install the cover onto the compute node (see “Installing the compute node cover” on page 883 for instructions).
2. Install the compute node into the chassis (see “Installing a compute node in a chassis” on page 875 for instructions).
3. See the "SD Media Adapter for System x documentation", that comes with the option, for information about how to configure the Adapter for SD Media.

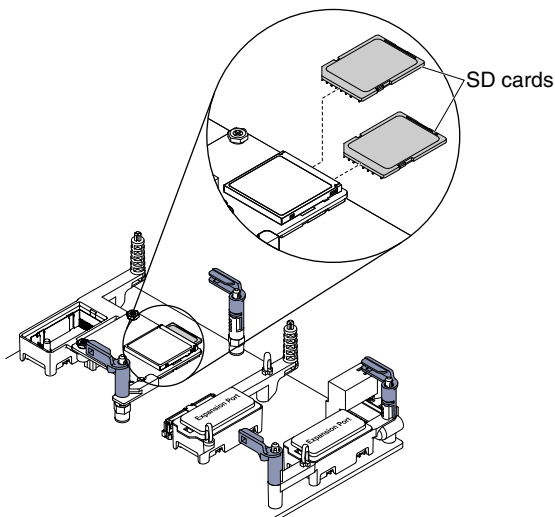
Removing an SD card

Use this information to remove an SD card.

Before you remove an SD card, complete the following steps:

1. Read “Safety” on page v and “Installation guidelines” on page 873.
2. If the compute node is installed in a chassis, remove it (see “Removing a compute node from a chassis” on page 874 for instructions).
3. Carefully lay the compute node on a flat, static-protective surface, orienting the compute node with the bezel pointing toward you.

To remove an SD card, complete the following steps.



Step 1. Remove the cover (see “Removing the compute node cover” on page 881).

Step 2. If an I/O expansion adapter is installed over the Adapter for SD Media, remove it (see “Removing an I/O expansion adapter” on page 922).

Step 3. Press the SD card further into its connector and release.

Step 4. Pull the SD card out of the connector. Most SD cards have a finger-nail slot at the top, rear edge to make them easier to grasp.

Note: If you are unable to remove the SD card with the Adapter for SD media installed in the compute node, remove the Adapter for SD media from the compute node (see “Removing the SD Media Adapter for System x” on page 926).

If you are instructed to return an SD card, follow all packaging instructions, and use any packaging materials for shipping that are supplied to you.

Installing an SD card

Use this information to install an SD card.

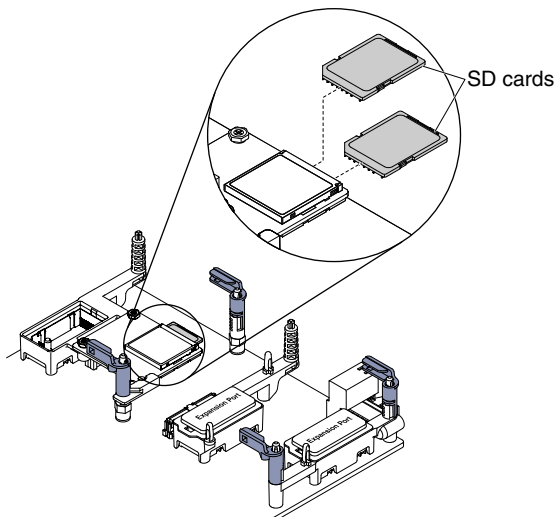
Before you install an SD card, complete the following steps:

1. Read “Safety” on page v and “Installation guidelines” on page 873.
2. If the compute node is installed in a chassis, remove it (see “Removing a compute node from a chassis” on page 874 for instructions).
3. Carefully lay the compute node on a flat, static-protective surface, orienting the compute node with the bezel pointing toward you.

Note: Installing an SD card requires an optional Adapter for SD Media (RAID Adapter for SD Media).

This component can be installed as an optional device or as a CRU. The installation procedure is the same for the optional device and the CRU.

To install an SD card, complete the following steps.



- Step 1. Remove the cover (see “Removing the compute node cover” on page 881).
- Step 2. If an I/O expansion adapter is installed over the Adapter for SD Media (RAID Adapter for SD Media), remove it (see “Removing an I/O expansion adapter” on page 922).
- Step 3. Locate the SD card connector on the Adapter for SD Media .

Important: The SD card must be installed in the correct orientation. If you force the SD card into the connector upside down or backwards, you might damage the connector. See the documentation that comes with the SD card for more information.

- Step 4. Hold the SD card with the arrow pointing toward the SD connector; then, carefully press the SD card into the connector until it clicks into place.

Note: If you are unable to install an SD card with the Adapter for SD media installed in the compute node, remove the Adapter for SD media from the compute node (see “Removing the SD Media Adapter for System x” on page 926).

After you install an SD card, complete the following steps:

1. Install the cover onto the compute node (see “Installing the compute node cover” on page 883 for instructions).
2. Install the compute node into the chassis (see “Installing a compute node in a chassis” on page 875 for instructions).

Removing and replacing Tier 2 customer replaceable units (CRUs)

Use this information for removing and replacing Tier 2 CRUs.

You may install a Tier 2 CRU yourself or request Lenovo to install it, at no additional charge, under the type of warranty service that is designated for the compute node.

Removing a microprocessor and heat sink

Use this information to remove a microprocessor and heat sink.

Note: This procedure should be performed only by trained service technicians.

Before you remove the microprocessor and heat sink, complete the following steps:

1. Read “Safety” on page v and “Installation guidelines” on page 873.
2. If the compute node is installed in a chassis, remove it (see “Removing a compute node from a chassis” on page 874 for instructions).
3. Carefully lay the compute node on a flat, static-protective surface, orienting the compute node with the bezel pointing toward you.

The following notes describe information that you must consider when you remove a microprocessor:

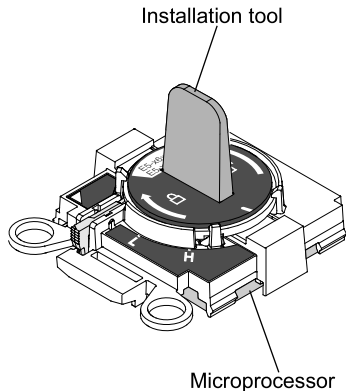
- Each microprocessor socket must always contain a heat-sink filler or a microprocessor and heat sink. If the compute node has only one microprocessor, it must be installed in microprocessor socket 1.
- Do *not* install the microprocessor socket dust cover, if it is available, when removing a microprocessor.
- The microprocessor installation tool might become worn after several uses. Make sure that the tool can hold the microprocessor securely if you are reusing an existing microprocessor installation tool. Do not return the tool with other parts that you are returning.
- If you are installing a second microprocessor, the option kit comes with a microprocessor installation tool that you must use when you install a microprocessor. The microprocessor installation tool comes with the replacement microprocessor installed on it and a cover over the microprocessor.
- If you are replacing a defective microprocessor, the CRU kit comes with one installation tool with the replacement microprocessor installed on it and a cover over the microprocessor, and one empty installation tool without a cover.
- If you are replacing a defective microprocessor, you must obtain the following for use during the replacement procedure (see Chapter 5 “Parts listing, Types 9532 and 2951” on page 51).
 - Alcohol wipes
 - Thermal grease

Attention:

- Remove and install only one microprocessor at a time. When removing or installing a microprocessor, protect the other microprocessor socket with a microprocessor heat sink filler.

- Always use the microprocessor installation tool to remove or install a microprocessor. Failure to use the microprocessor installation tool can damage the microprocessor sockets on the system board. Any damage to the microprocessor sockets might require replacing the system board.

Note: Be sure to use the installation tool that comes with your microprocessor. The installation tool has two settings for installing two different sizes of microprocessors. The settings that are marked on the tool are “L” for smaller low core microprocessors, and “H” for larger high core microprocessors. The tool automatically adjusts during use to the correct setting for your microprocessor.



To remove a microprocessor and heat sink, complete the following steps.

- Step 1. Remove the cover (see “Removing the compute node cover” on page 881).
- Step 2. Locate the microprocessor that is to be removed (see “System-board connectors” on page 17).
- Step 3. Remove the heat sink.

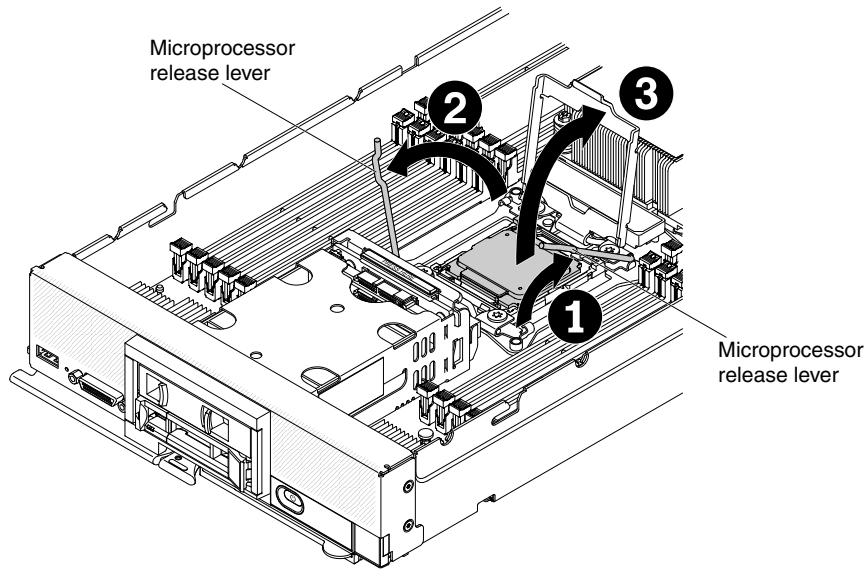
Attention: Do not touch the thermal material on the bottom of the heat sink. Touching the thermal material will contaminate it. If the thermal material becomes contaminated, see “Thermal grease” on page 942.

Important: The heat sinks for microprocessor 1 and microprocessor 2 are not interchangeable. If both heat sinks are being removed, label them so that they can be reinstalled on the correct microprocessor.

- a. Use a 5 mm (3/16-inch) nut driver to loosen the screw on one side of the heat sink to break the seal with the microprocessor.
- b. Use a 5 mm (3/16-inch) nut driver to loosen the screws on the heat sink, rotating each screw two full turns until each screw is loose.
- c. Gently pull the heat sink from the microprocessor.

Attention: Do not use any tools or sharp objects to lift the release levers on the microprocessor socket. Doing so might result in permanent damage to the system board.

- Step 4. Open the microprocessor socket release levers and retainer.



- a. Identify which release lever is labeled as the first release lever to open (labeled on the microprocessor-retention assembly) and open it.
- b. Open the second release lever on the microprocessor socket.
- c. Open the microprocessor retainer.

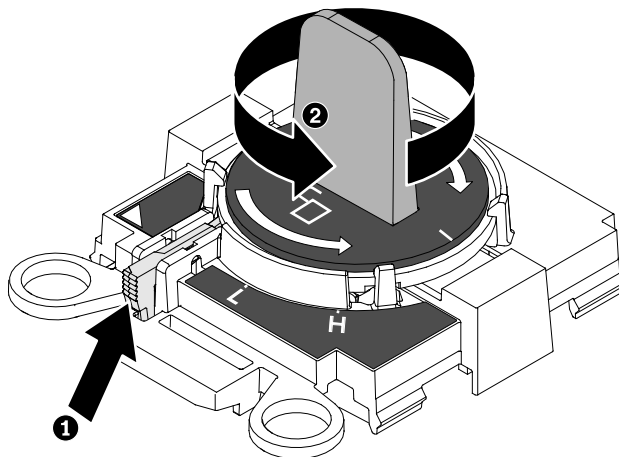
Attention:

- Dropping the microprocessor during installation or removal can damage the contacts.
- Do not touch the connectors on the microprocessor and the microprocessor socket; handle the microprocessor by the edges only. Contaminants on the microprocessor contacts, such as oil from your skin, can cause connection failures between the contacts and the socket.

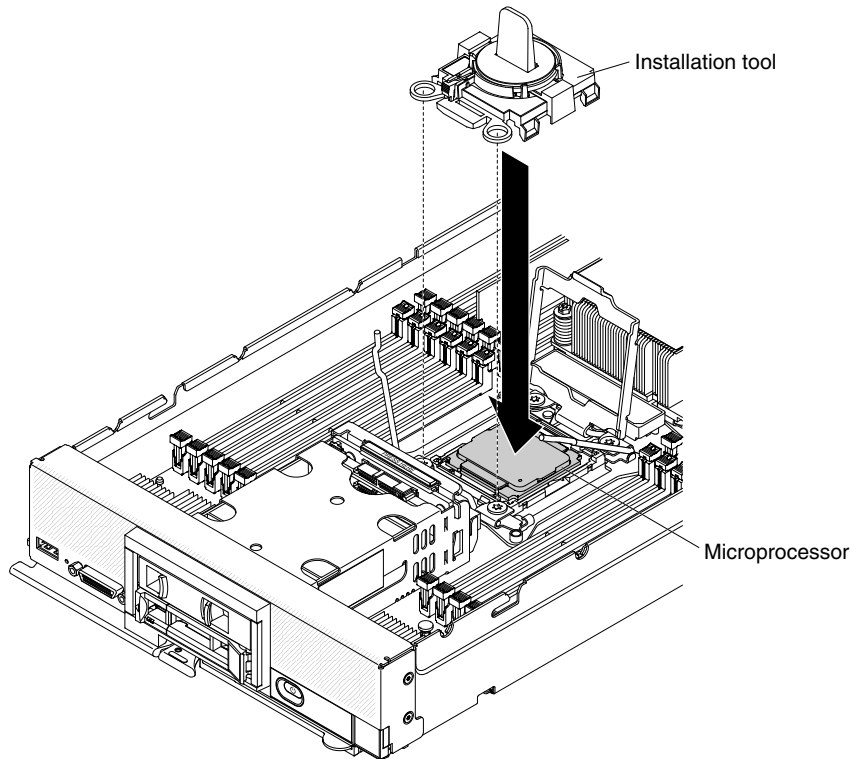
Step 5. Using the microprocessor installation tool, remove the microprocessor from the socket.

- a. Select the empty installation tool and make sure that the handle is in the open position.

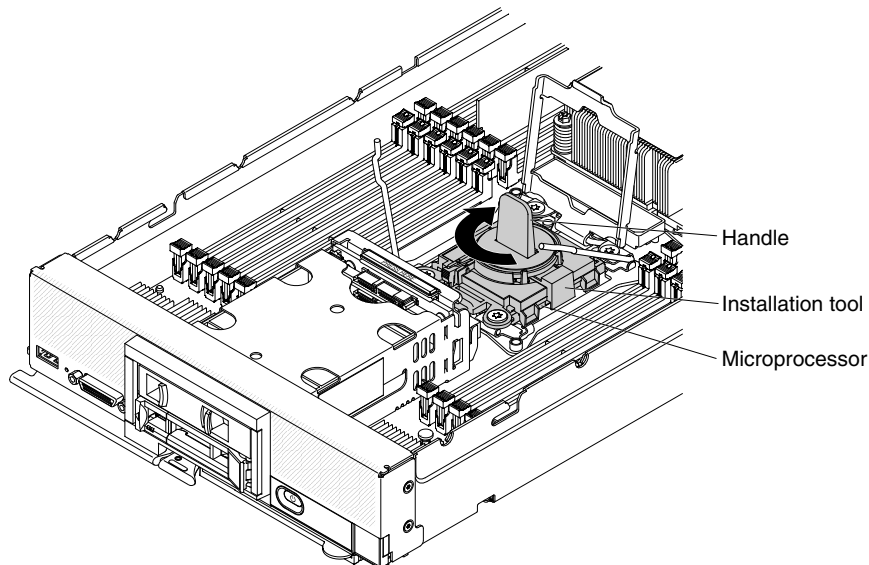
If the installation tool handle is not in the open position: 1) lift the interlock latch and hold it up while you 2) twist the microprocessor installation tool handle counterclockwise to the open position, and then release the interlock latch. The following illustration of the installation tool shows the location of the interlock latch and counterclockwise rotation of the handle before loading the microprocessor.

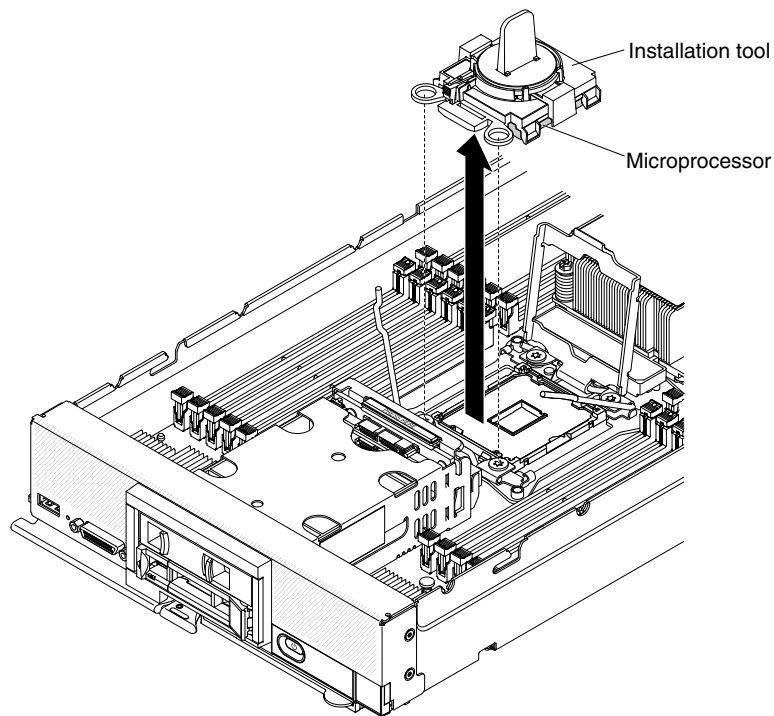


- b. Align the installation tool with the screws, as shown in the following graphic, and lower the installation tool on the microprocessor. The installation tool rests flush on the socket only when it is aligned correctly.



- c. Gently twist the handle of the installation tool clockwise until it locks in the "H" or "L" position, depending on the size of microprocessor; then, lift the microprocessor out of the socket.





Step 6. If you do not intend to install a microprocessor on the socket, close the microprocessor socket retainer and release levers (first lever to close is labeled on the microprocessor-retention assembly); then, install a heat sink filler on the microprocessor socket.

Attention: The pins on the socket are fragile. Any damage to the pins might require replacing the system board.

If you are instructed to return the microprocessor and heat sink, follow all packaging instructions, and use any packaging materials for shipping that are supplied to you.

Installing a microprocessor and heat sink

Use this information to install a microprocessor and heat sink.

Note: This procedure should be performed only by trained service technicians.

Before you install a microprocessor and heat sink, complete the following steps:

1. Read “Safety” on page v and “Installation guidelines” on page 873.
2. If the compute node is installed in a chassis, remove it (see “Removing a compute node from a chassis” on page 874 for instructions).
3. Carefully lay the compute node on a flat, static-protective surface, orienting the compute node with the bezel pointing toward you.

The following notes describe the type of microprocessor that the compute node supports and other information that you must consider when you install a microprocessor:

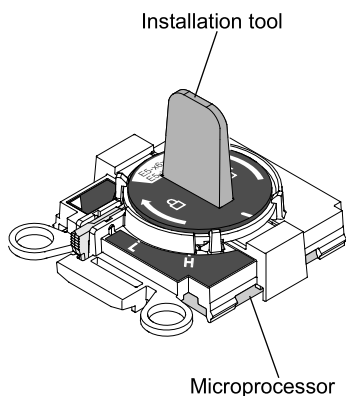
- This component can be installed as an optional device or as a CRU. The installation procedure is the same for the optional device and the CRU.
- The optional microprocessors that Lenovo supports are limited by the capacity and capability of the compute node. Any microprocessors that you install must have the same specifications as the microprocessors that came with the compute node.

- Each microprocessor socket must always contain a heat-sink filler or a microprocessor and heat sink. If the compute node has only one microprocessor, it must be installed in microprocessor socket 1.
- If you are installing a second microprocessor, make sure that the microprocessors are identical.
- Before you install a new microprocessor, download and install the most current level of UEFI code (see “Updating firmware and device drivers” on page 21).
- When you install a second microprocessor, you might have to install additional memory or redistribute memory across the DIMM connectors (see “Installing a DIMM ” on page 897).
- Installing microprocessor 2 enables DIMM connectors 13 through 24 and the expansion connector (see “System-board connectors” on page 17). Microprocessor 2 is also required by some optional devices, such as PCIe hard disk drives, that can be installed in the compute node (see the documentation that comes with the optional device for additional information and requirements).
- The microprocessor installation tool might become worn after several uses. Make sure that the tool can hold the microprocessor securely if you are reusing an existing microprocessor installation tool. Do not return the tool with other parts that you are returning.
- If you are installing a second microprocessor, the microprocessor option kit comes with a microprocessor installation tool that you must use when you install a microprocessor. The microprocessor installation tool comes with the replacement microprocessor installed on it and a cover over the microprocessor.
- If you are replacing a defective microprocessor, the CRU kit comes with one installation tool with the replacement microprocessor installed on it and a cover over the microprocessor, and one empty installation tool without a cover.
- If you are replacing a defective microprocessor, you must obtain the following for use during the replacement procedure (see Chapter 5 “Parts listing, Types 9532 and 2951” on page 51).
 - Alcohol wipes
 - Thermal grease

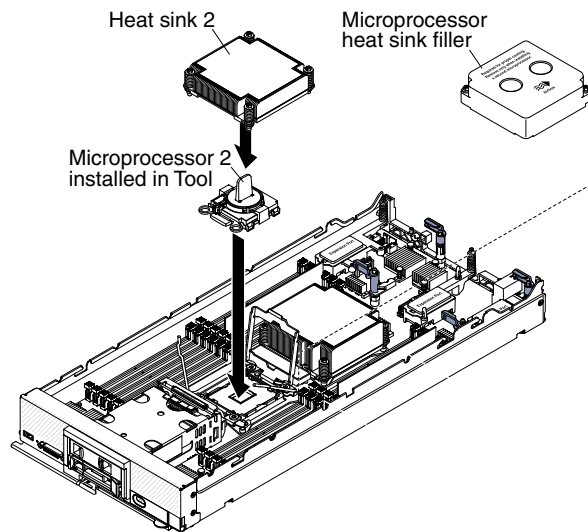
Attention:

- Remove and install only one microprocessor at a time. When removing or installing a microprocessor, protect the other microprocessor socket with a microprocessor heat sink filler.
- Always use the microprocessor installation tool to remove or install a microprocessor. Failure to use the microprocessor installation tool can damage the microprocessor sockets on the system board. Any damage to the microprocessor sockets might require replacing the system board.
- Different microprocessor types might require a different type of heat sink. To maintain adequate cooling, make sure that you install the heat sink type specified for your microprocessor.

Note: Be sure to use the installation tool that comes with your microprocessor. The installation tool has two settings for installing two different sizes of microprocessors. The settings that are marked on the tool are “L” for smaller low core microprocessors, and “H” for larger high core microprocessors. The tool automatically adjusts during use to the correct setting for your microprocessor.



To install a microprocessor and heat sink, complete the following steps.



Step 1. Remove the cover (see “Removing the compute node cover” on page 881).

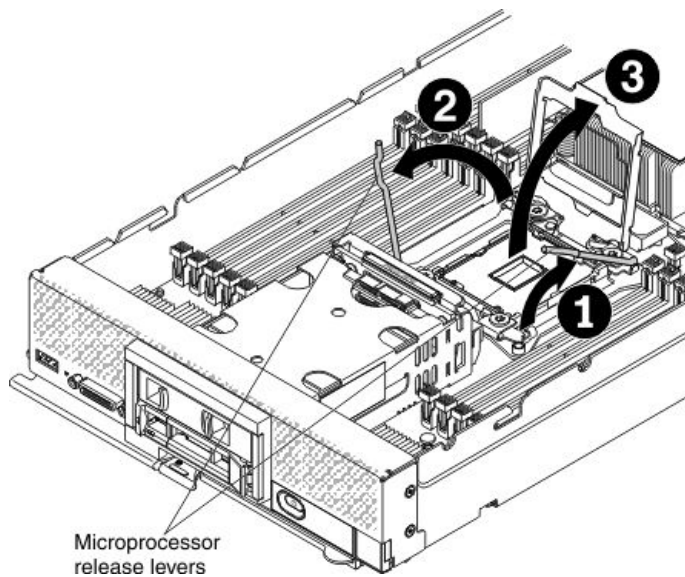
Step 2. If you are not installing a new microprocessor and a new heat sink, remove the thermal grease from the heat sink and microprocessor; then, apply new thermal grease before installation (see “Thermal grease” on page 942).

Step 3. Remove the heat-sink filler, if one is present.

Attention:

- Do not use any tools or sharp objects to lift the locking levers on the microprocessor socket. Doing so might result in permanent damage to the system board.
- Do not touch the connectors on the microprocessor socket. Contaminants on the microprocessor contacts, such as oil from your skin, can cause connection failures between the microprocessor contacts and the socket.

Step 4. Open the microprocessor socket release levers and retainer.



- a. Identify which release lever is labeled as the first release lever to open (labeled on the microprocessor-retention assembly) and open it.

- b. Open the second release lever on the microprocessor socket.
- c. Open the microprocessor retainer.

Step 5. Install the microprocessor in the microprocessor socket.

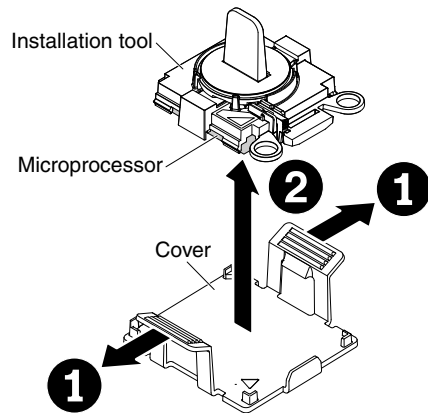
- a. Touch the static-protective package that contains the new microprocessor tool assembly with microprocessor to any *unpainted* on the compute node or any *unpainted* metal surface on any other grounded rack component.

Attention: Dropping the microprocessor during installation or removal can damage the contacts.

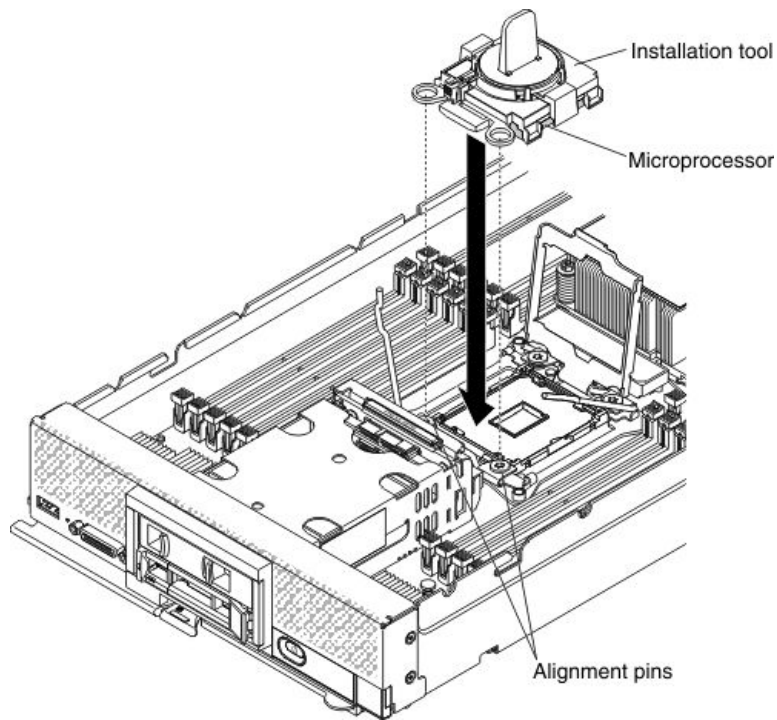
- b. Open the packaging that contains the new microprocessor installation tool assembly and carefully remove the installation tool assembly with microprocessor from the package.

Attention: Do not touch the connectors on the microprocessor and the microprocessor socket; handle the microprocessor by the edges only. Contaminants on the microprocessor contacts, such as oil from your skin, can cause connection failures between the microprocessor contacts and the socket.

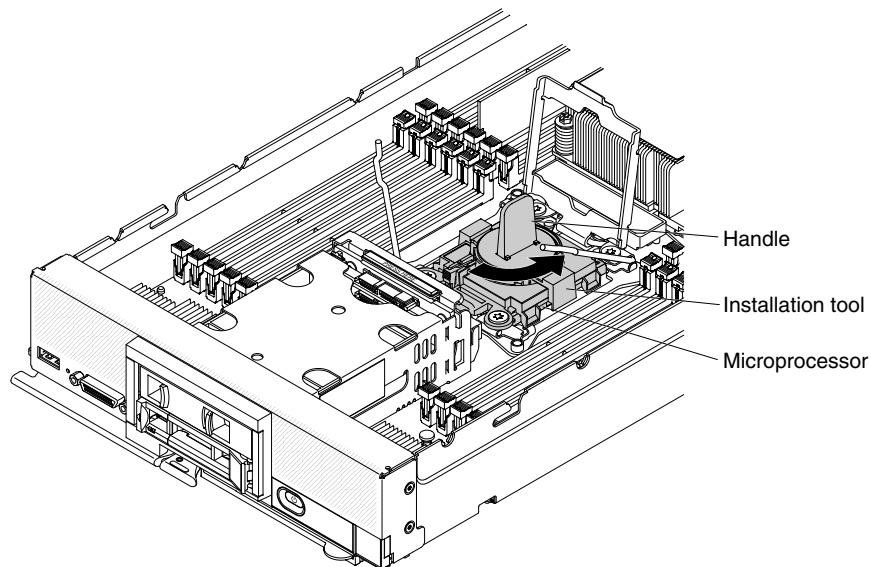
- c. Release the sides of the cover and remove the cover from the installation tool. The microprocessor is preinstalled on the installation tool.



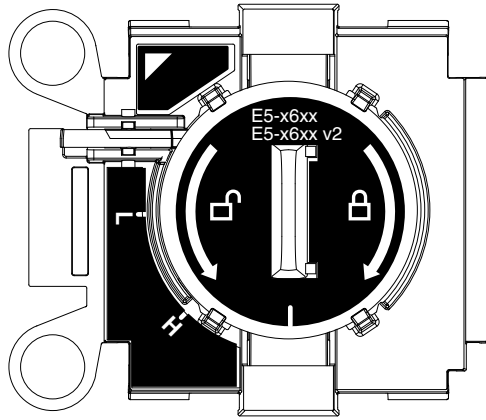
- d. Align the installation tool with the microprocessor socket. The installation tool rests flush on the socket only if it is properly aligned.



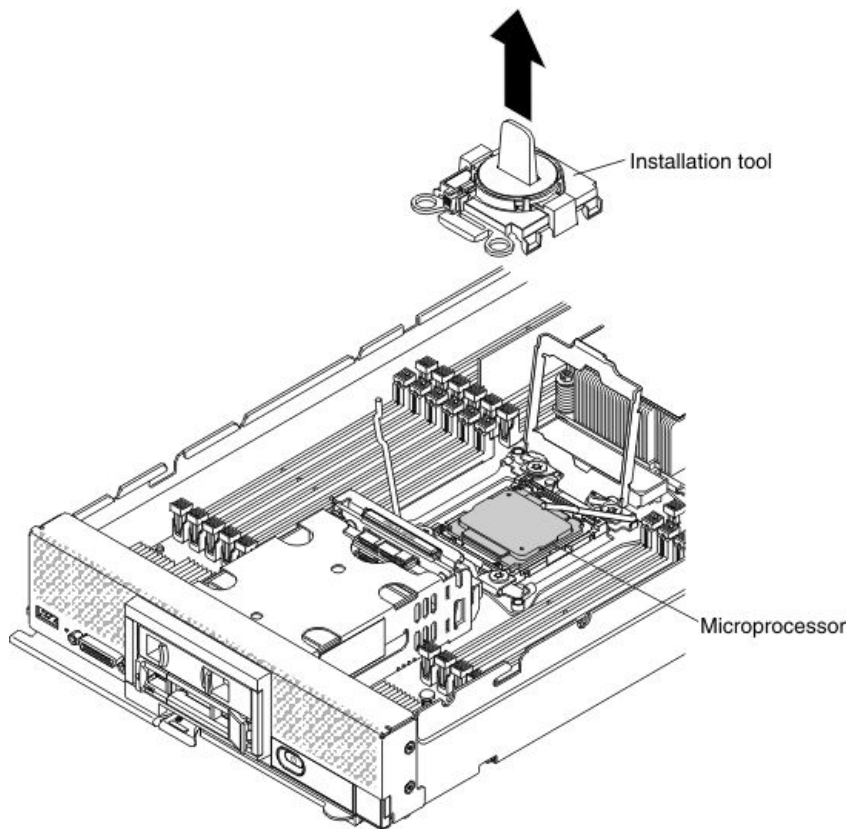
- e. Twist the handle of the installation tool assembly counterclockwise until the microprocessor is inserted into the socket, and lift the installation tool out of the socket.



The following illustration shows the installation tool handle in the open position, ready for tool removal.

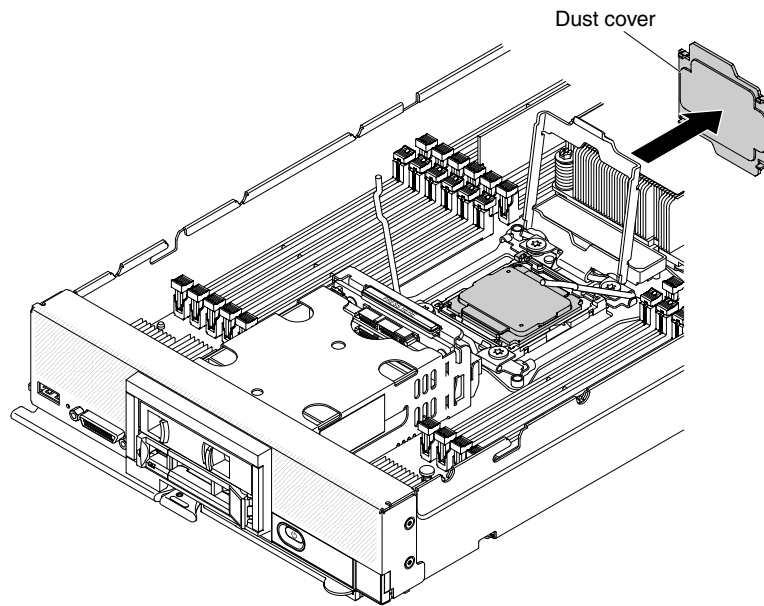


The following illustration shows removing the installation tool handle.



Attention:

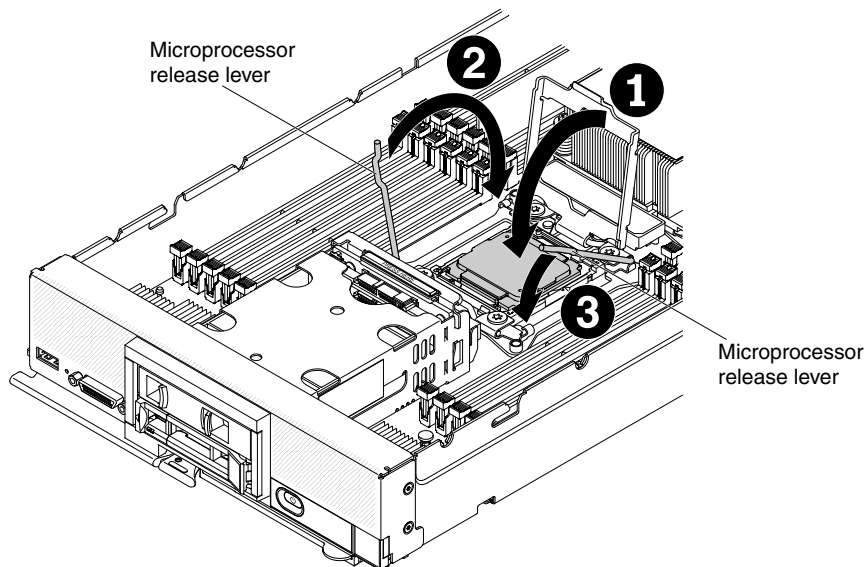
- Do not press the microprocessor into the socket.
 - Do not touch the thermal grease on the bottom of the heat sink or on top of the microprocessor. Touching the thermal grease will contaminate it. If the thermal material becomes contaminated, see “Thermal grease” on page 942
- f. Remove the microprocessor protective dust cover, tape, or label from the surface of the microprocessor socket, if one is present.



Attention:

- Make sure that the microprocessor is aligned correctly in the socket before you try to close the microprocessor retainer.
- Make sure that the dust cover is removed before you try to close the microprocessor retainer.

Step 6. Close the microprocessor socket release retainer and levers.



- Close the microprocessor retainer on the microprocessor socket.
- Identify which release lever is labeled as the first release lever to close (labeled on the microprocessor-retention assembly) and close it.
- Close the second release lever on the microprocessor socket.

Attention:

- If you are installing a new heat sink, do not set down the heat sink after you remove the plastic cover.

- Do not touch the thermal material on the bottom of the heat sink. Touching the thermal material will contaminate it. If the thermal material becomes contaminated, see “Thermal grease” on page 942.

Important: The heat sinks for microprocessor 1 and microprocessor 2 are not interchangeable. Make sure that you install each heat sink on the correct microprocessor. The shorter heat sink installs on microprocessor 2 and the taller heat sink installs on microprocessor 1.

- Step 7. If you are installing a new heat sink, remove the plastic protective cover from the bottom of the heat sink. If you are reinstalling a heat sink that you previously removed from the compute node, make sure that the thermal material is still on the bottom of the heat sink and on the top of the microprocessor.
- a. Position the heat sink over the microprocessor. The a notch on the heat sink is keyed to a tab on the light path diagnostics panel to assist with proper alignment.
 - b. Align and place the heat sink on top of the microprocessor in the retention bracket, thermal material side down.
 - c. Press firmly on the heat sink.
 - d. Align the screws on the heat sink with the holes on the heat-sink retention module.
 - e. Using a 5 mm (3/16-inch) nut driver, start the first captive screw, as shown on the heat sink label, and tighten it two full revolutions; then, press down on the opposite corner of the heat sink with your finger and tighten the captive screw in that corner two full revolutions.
 - f. Press firmly on each of the captive screws and tighten them with a 5 mm (3/16-inch) nut driver, alternating among the screws, as shown on the heat sink label, until they are tight. If possible, each screw should be rotated two full rotations at a time. Repeat until the screws are tight. Do not overtighten the screws by using excessive force. If you are using a torque wrench, tighten the screws to 8 inch-pounds (in-lb) to 10 in-lb (0.9 Newton-meters (Nm) to 1.13 Nm). Refer to the label on the heat sink for more information.

After you install a microprocessor and heat sink, complete the following steps:

1. Install the cover (see “Installing the compute node cover” on page 883).
2. Install the compute node in a Lenovo Flex System chassis (see “Installing a compute node in a chassis” on page 875 for instructions).

Thermal grease

Use this information to determine the guidelines for using thermal grease on a heat sink and microprocessor.

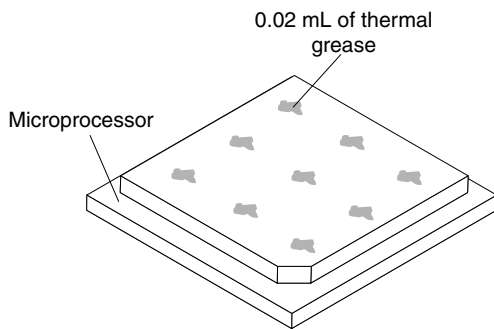
The thermal grease must be replaced whenever the heat sink has been removed from the top of the microprocessor and is going to be reused or when debris is found in the grease.

To replace damaged or contaminated thermal grease on the microprocessor and heat sink, complete the following steps:

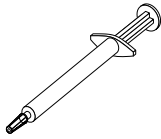
- Step 1. Place the heat-sink assembly on a clean work surface.
- Step 2. Remove the cleaning pad from its package and unfold it completely.
- Step 3. Use the cleaning pad to wipe the thermal grease from the bottom of the heat sink.

Note: Make sure that all of the thermal grease is removed.

- Step 4. Use a clean area of the cleaning pad to wipe the thermal grease from the microprocessor; then, dispose of the cleaning pad after all of the thermal grease is removed.



Step 5. Use the thermal-grease syringe to place nine uniformly spaced dots of 0.02 mL each on the top of the microprocessor.



Note: 0.01mL is one tick mark on the syringe. If the grease is properly applied, approximately half (0.22 mL) of the grease will remain in the syringe.

Step 6. Continue with the microprocessor installation instructions in “Installing a microprocessor and heat sink” on page 935.

Removing and replacing the system-board assembly

Use this information to remove and replace the system-board assembly.

Notes:

- This procedure should be performed only by trained service technicians.
- If possible, back up all compute node settings, including the settings for any options installed in the compute node. You can backup and restore system settings using the Advanced Setup Utility (ASU) (see <https://support.lenovo.com/us/en/documents/LNVO-ASU> for information and instructions).

Before you replace the system-board assembly, complete the following steps:

1. Read “Safety” on page v and “Installation guidelines” on page 873.
2. If the compute node is installed in a chassis, remove it (see “Removing a compute node from a chassis” on page 874 for instructions).
3. Carefully lay the replacement system-board assembly (system board FRU) and the defective system-board assembly (defective node) side-by-side on a flat, static-protective surface.
4. Obtain the following for use during the replacement procedure (see Chapter 5 “Parts listing, Types 9532 and 2951” on page 51).
 - Alcohol wipes
 - Thermal grease

Important: When you replace the system-board assembly, you must update the compute node with the latest firmware or restore the preexisting firmware. Make sure that you have the latest firmware or a copy of the preexisting firmware before you proceed. See “Updating firmware and device drivers” on page 21 for more information.

See “System-board layouts” on page 17 for more information about the locations of the connectors, switches, and LEDs on the system board.

To remove and replace the system-board assembly, complete the following steps:

Important: To avoid damage when replacing a defective system-board assembly, transfer internal components between the defective system-board assembly and the replacement system-board assembly one at a time. Unless otherwise noted, install each internal component in the replacement system-board assembly immediately after removing it from the defective system-board assembly.

- Step 1. Remove any storage drives, optional drive components, and hard disk drive bay fillers from the defective system-board assembly and set them aside on a static-protective surface. (see “Removing a hot-swap hard disk drive” on page 907, “Removing a 1.8-inch solid state drive” on page 912, or “Removing a solid state drive mounting sleeve” on page 909).
- Step 2. Remove the storage drive bezel from the defective system-board assembly and immediately install it on the replacement system-board assembly (see “Removing the bezel” on page 890 and “Installing the bezel” on page 890).
- Step 3. Remove the covers from both compute nodes (see “Removing the compute node cover” on page 881). Keep the cover that comes with the replacement system-board assembly for reference and re-install it on the defective system-board assembly prior to returning the defective system-board assembly.
- Step 4. If a ServeRAID controller is installed in the defective system-board assembly, remove it and set it aside on a static-protective surface. (see “Removing a ServeRAID M5215 controller” on page 916).

Important: If you are installing a hard disk drive backplane that uses a solid state drive mounting sleeve, remove the mounting sleeve before you remove the backplane and install the backplane before you install the mounting sleeve.

- Step 5. Remove hard disk drive backplane from the defective system-board assembly and immediately install it in the replacement system-board assembly (see “Removing a hard disk drive backplane” on page 905 and “Installing a hard disk drive backplane” on page 906).

Notes:

- Install storage drives and solid state drive mounting sleeves in the same bay locations as from which they were removed.
- Solid state drive mounting sleeves can be moved without removing the solid state drives inside of them.

- Step 6. Install any removed storage drives, optional drive components, and hard disk drive bay fillers into the replacement system-board assembly (see “Installing a hot-swap hard disk drive” on page 908, “Installing a solid state drive mounting sleeve” on page 911, or “Installing a 1.8-inch solid state drive” on page 914)

- Step 7. Remove the DIMM air baffles from defective system-board assembly and set them aside.

Attention:

- Remove and install only one microprocessor at a time.
- When removing or installing a microprocessor, protect the other microprocessor socket with a microprocessor heat sink filler.
- When transferring a microprocessor to a replacement system-board assembly, install the microprocessor heat sink filler in the defective system-board assembly immediately after installing the microprocessor in the replacement system-board assembly.

- Step 8. Transfer microprocessor 1 (rear microprocessor) and its heat sink from the defective system-board assembly to the replacement system-board assembly. Use the microprocessor installation tool that comes with the replacement system-board assembly to remove the microprocessor from the defective system-board assembly and install it immediately in the replacement system-board assembly.

- a. Remove the heat sink from the microprocessor on the defective system-board assembly and set it aside, thermal material side up, on a static-protective surface.

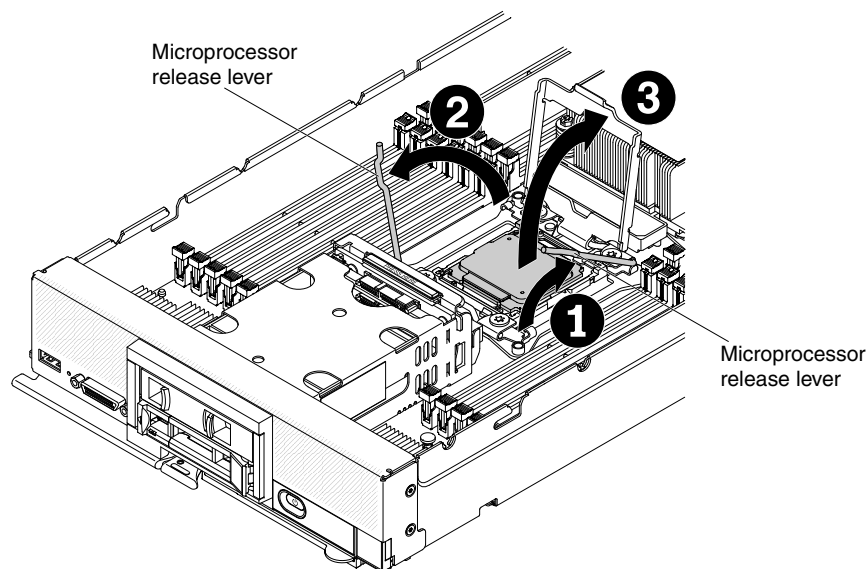
Attention: Do not touch the thermal material on the bottom of the heat sink. Touching the thermal material will contaminate it. If the thermal material becomes contaminated, see “Thermal grease” on page 942.

Important: The heat sinks for microprocessor 1 and microprocessor 2 are not interchangeable. If both heat sinks are being removed, label them so that they can be reinstalled on the correct microprocessor.

1. Use a 5 mm (3/16-inch) nut driver to loosen the screw on one side of the heat sink to break the seal with the microprocessor.
2. Use a 5 mm (3/16-inch) nut driver to loosen the screws on the heat sink, rotating each screw two full turns until each screw is loose.
3. Gently pull the heat sink from the microprocessor.

- b. Open the microprocessor socket release levers and retainer on the defective system-board assembly.

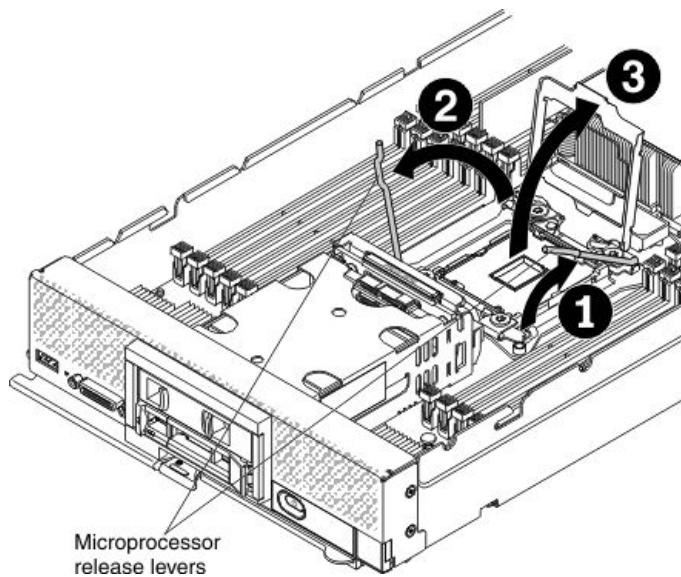
Attention: Do not use any tools or sharp objects to lift the release levers on the microprocessor socket. Doing so might result in permanent damage to the system board.



1. Identify which release lever is labeled as the first release lever to open (labeled on the microprocessor-retention assembly) and open it.
 2. Open the second release lever on the microprocessor socket.
 3. Open the microprocessor retainer.
- c. Remove the heat-sink filler on the replacement system-board assembly and set it aside.

Attention: Do not use any tools or sharp objects to lift the release levers on the microprocessor socket. Doing so might result in permanent damage to the system board.

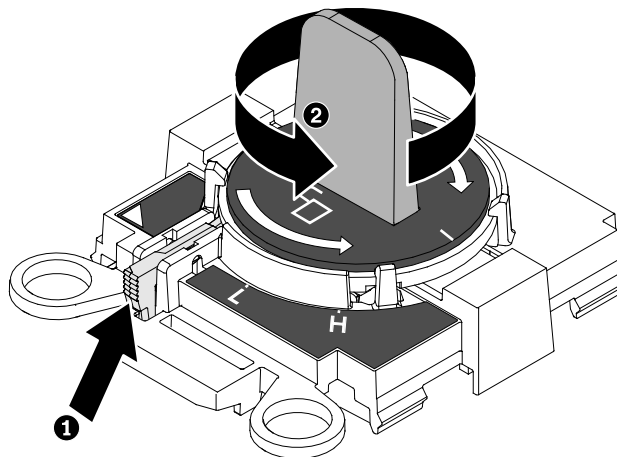
- d. Open the microprocessor socket release levers and retainer on the replacement system-board assembly.



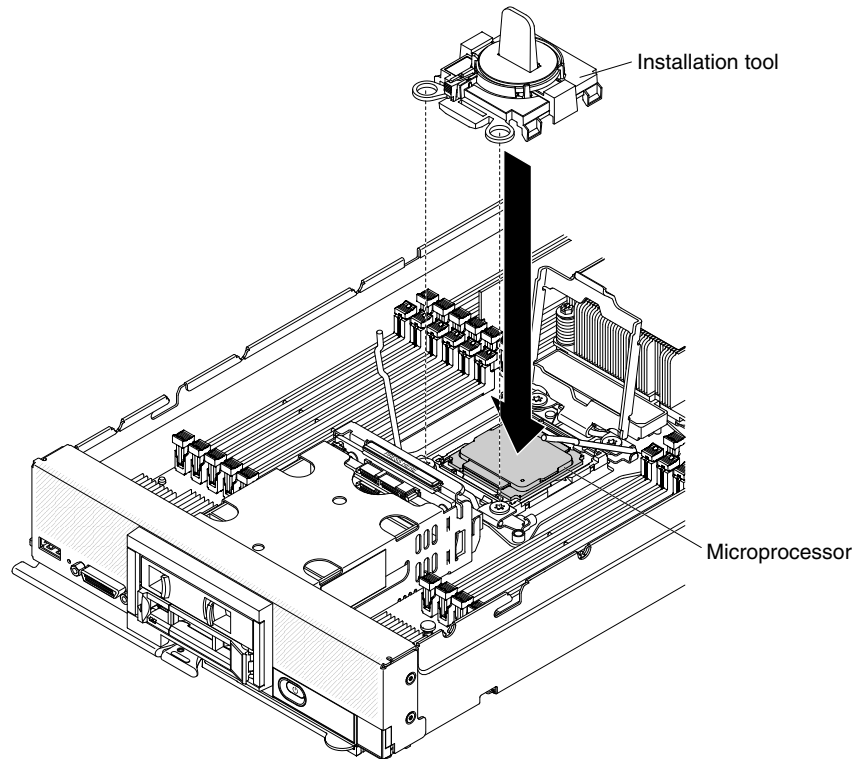
1. Identify which release lever is labeled as the first release lever to open (labeled on the microprocessor-retention assembly) and open it.
 2. Open the second release lever on the microprocessor socket.
 3. Open the microprocessor retainer.
- e. Using the microprocessor installation tool, remove the microprocessor from the socket on the defective system-board assembly.

Attention:

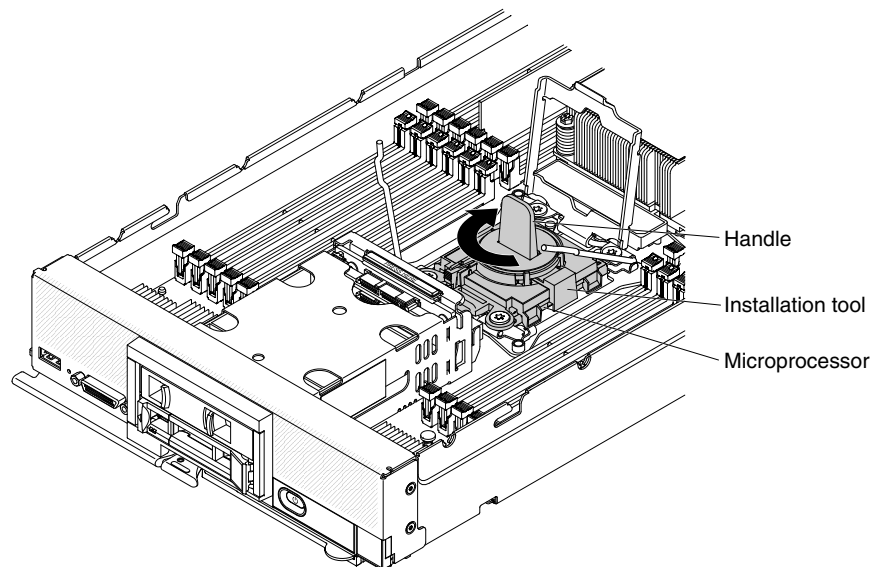
- Dropping the microprocessor during installation or removal can damage the contacts.
 - Do not touch the connectors on the microprocessor and the microprocessor socket; handle the microprocessor by the edges only. Contaminants on the microprocessor contacts, such as oil from your skin, can cause connection failures between the contacts and the socket.
1. Select the empty installation tool and make sure that the handle is in the open position. If the installation tool handle is not in the open position: 1) lift the interlock latch and hold it up while you 2) twist the microprocessor installation tool handle counterclockwise to the open position, and then release the interlock latch. The following illustration of the installation tool shows the location of the interlock latch and counterclockwise rotation of the handle before loading the microprocessor.

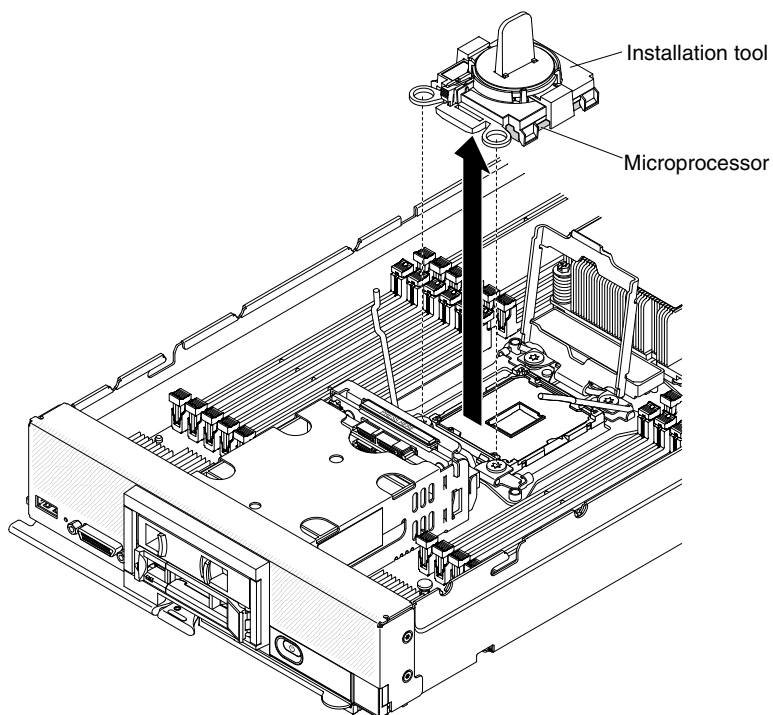


- Align the installation tool with the screws, as shown in the following graphic, and lower the installation tool on the microprocessor. The installation tool rests flush on the socket only when it is aligned correctly.



- Gently twist the handle of the installation tool clockwise until it locks in the “H” or “L” position, depending on the size of microprocessor; then, lift the microprocessor out of the socket.

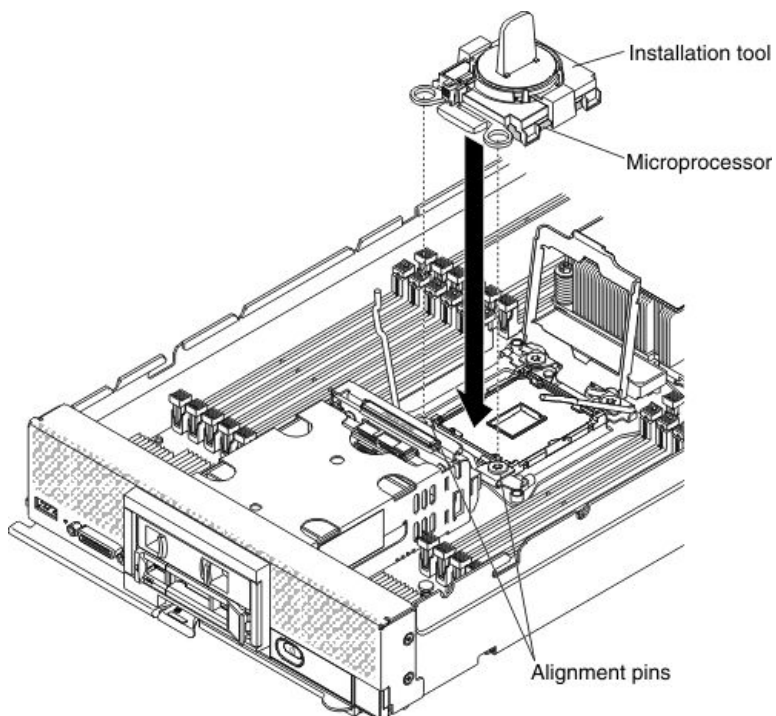




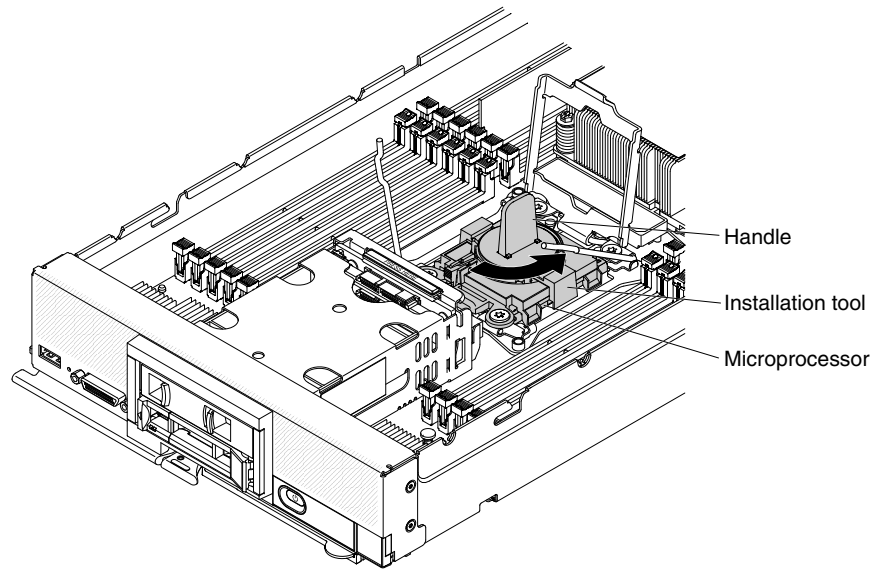
- f. Install the microprocessor in the microprocessor socket on the replacement system-board assembly.

Attention: Do not press the microprocessor into the socket.

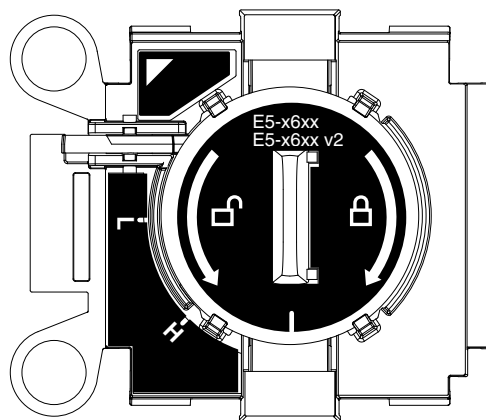
1. Align the installation tool with the microprocessor socket on the replacement system-board assembly. The installation tool rests flush on the socket only if it is properly aligned.



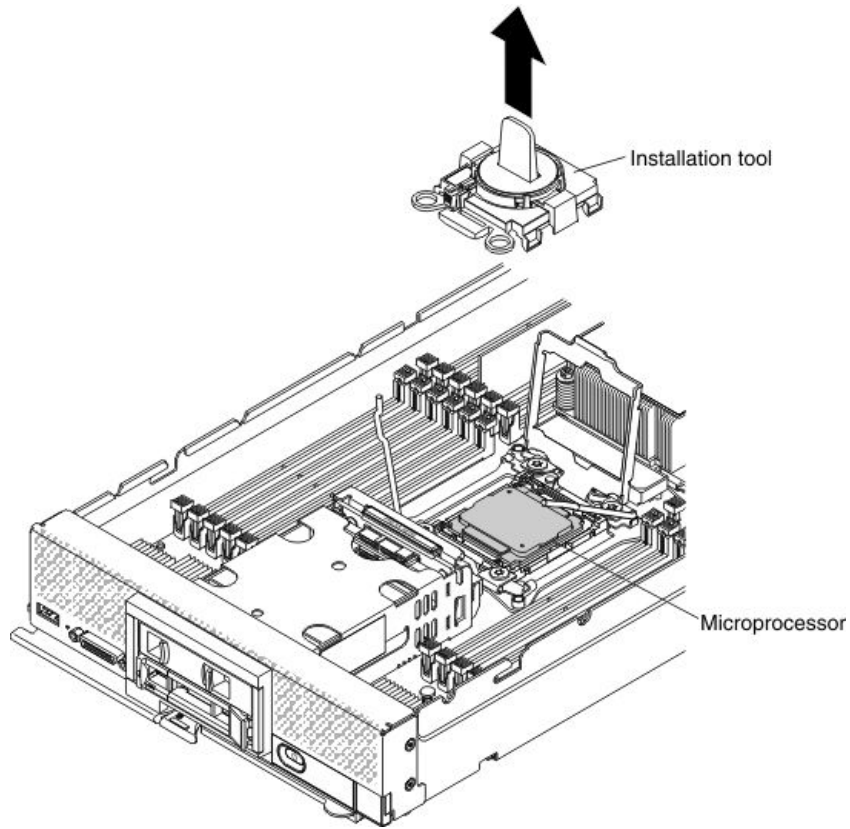
2. Twist the handle of the installation tool assembly counterclockwise until the microprocessor is inserted into the socket, and lift the installation tool out of the socket.



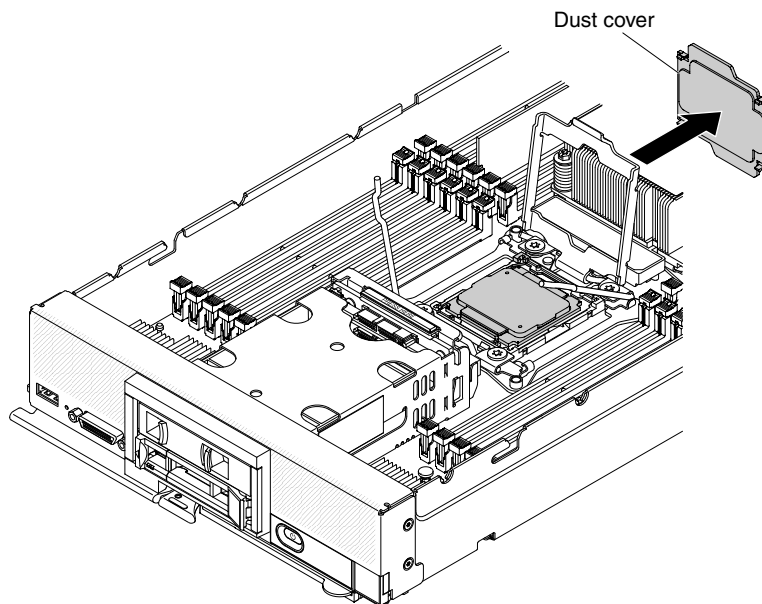
The following illustration shows the installation tool handle in the open position, ready for tool removal.



The following illustration shows removing the installation tool handle.



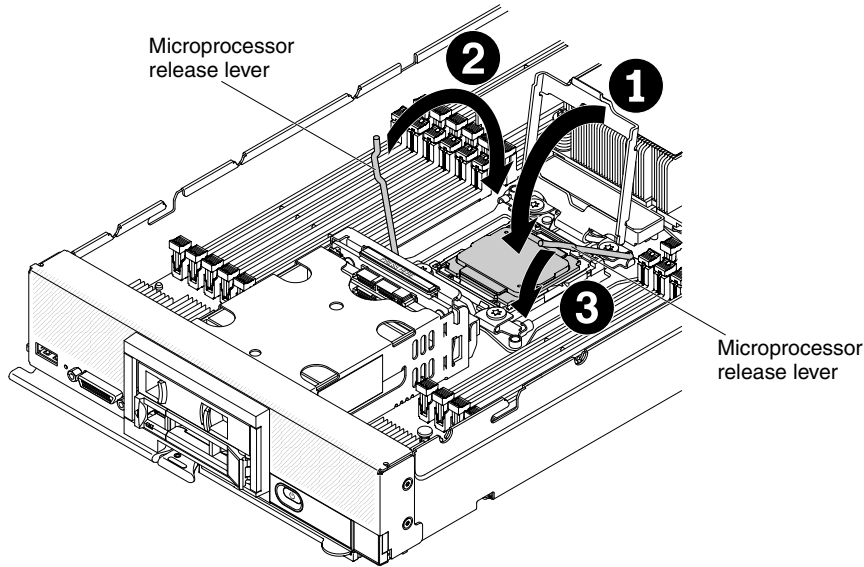
- g. Remove the microprocessor protective dust cover, tape, or label from the surface of the microprocessor socket on the replacement system-board assembly, if one is present.



- h. Close the microprocessor socket release retainer and levers on the replacement system-board assembly.

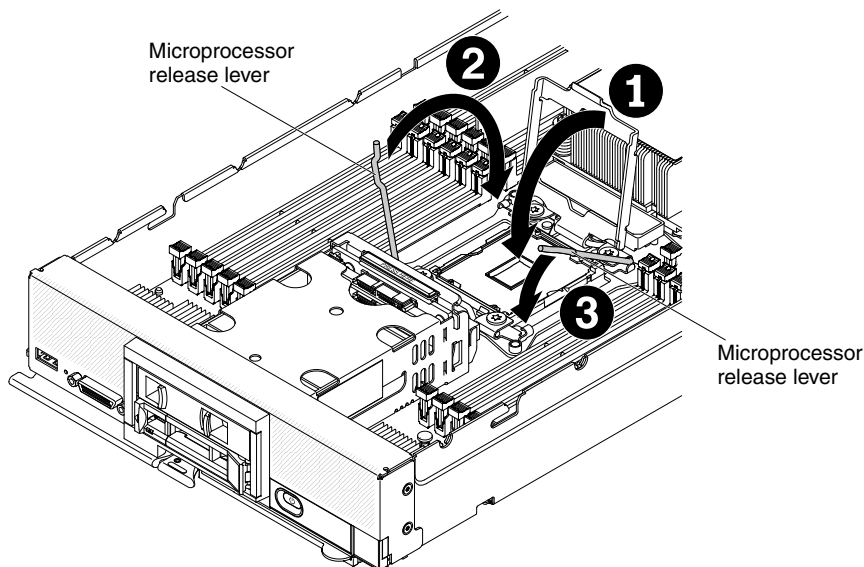
Attention: Make sure that the microprocessor is aligned correctly in the socket before you try to close the microprocessor retainer.

- Make sure that the dust cover is removed before you try to close the microprocessor retainer.



1. Close the microprocessor retainer on the microprocessor socket.
 2. Identify which release lever is labeled as the first release lever to close (labeled on the microprocessor-retention assembly) and close it.
 3. Close the second release lever on the microprocessor socket.
- i. Close the microprocessor socket release retainer and levers on the defective system-board assembly.

Attention: Make sure that the dust cover is removed before you try to close the microprocessor retainer.



1. Close the microprocessor retainer on the microprocessor socket.
2. Identify which release lever is labeled as the first release lever to close (labeled on the microprocessor-retention assembly) and close it.
3. Close the second release lever on the microprocessor socket.

- j. Install the heat-sink filler that you removed from the replacement system-board assembly on the defective system-board assembly.
- k. Install the heat-sink that you removed from the defective system-board assembly on the replacement system-board assembly.

Attention: Do not touch the thermal material on the bottom of the heat sink. Touching the thermal material will contaminate it. If the thermal material becomes contaminated, see “Thermal grease” on page 942.

Important: The heat sinks for microprocessor 1 and microprocessor 2 are not interchangeable. Make sure that you install each heat sink on the correct microprocessor. The shorter heat sink installs on microprocessor 2 and the taller heat sink installs on microprocessor 1.

1. Make sure that the thermal material is still on the bottom of the heat sink and on the top of the microprocessor.
2. Position the heat sink over the microprocessor. The a notch on the heat sink is keyed to a tab on the light path diagnostics panel to assist with proper alignment.
3. Align and place the heat sink on top of the microprocessor in the retention bracket, thermal material side down.
4. Press firmly on the heat sink.
5. Align the screws on the heat sink with the holes on the heat-sink retention module.
6. Using a 5 mm (3/16-inch) nut driver, start the first captive screw, as shown on the heat sink label, and tighten it two full revolutions; then, press down on the opposite corner of the heat sink with your finger and tighten the captive screw in that corner two full revolutions.
7. Press firmly on each of the captive screws and tighten them with a 5 mm (3/16-inch) nut driver, alternating among the screws, as shown on the heat sink label, until they are tight. If possible, each screw should be rotated two full rotations at a time. Repeat until the screws are tight. Do not overtighten the screws by using excessive force. If you are using a torque wrench, tighten the screws to 8 inch-pounds (in-lb) to 10 in-lb (0.9 Newton-meters (Nm) to 1.13 Nm). Refer to the label on the heat sink for more information.

Step 9. Repeat Step 8 on page 944 for microprocessor 2 (front microprocessor), if one is installed.

Step 10. Remove all of the installed components in the following list from the defective system-board assembly; then, immediately install them on the replacement system-board assembly:

- DIMMs. See “Removing a DIMM” on page 895 and “Installing a DIMM ” on page 897.
- I/O expansion adapters and other optional components. See procedures such as:
 - “Removing the SD Media Adapter for System x” on page 926 and “Installing the SD Media Adapter for System x” on page 927

Note: Install the optional Adapter for SD Media before installing any optional I/O expansion adapters.

- “Removing an I/O expansion adapter” on page 922 and “Installing an I/O expansion adapter” on page 923
- “Removing an interposer cable” on page 920 and “Installing an interposer cable” on page 921

Step 11. If a ServeRAID controller was removed from the defective system-board assembly, install it in the replacement system-board assembly (see “Installing a ServeRAID M5215 controller” on page 918).

Step 12. Install the DIMM air baffles in the replacement system-board assembly. The DIMM air baffles are required to maintain system cooling.

Note: Retaining clips on the DIMM connectors must be in the closed position to install the air baffles.

Step 13. Install the cover that you removed from the original (defective) system-board assembly onto the replacement system-board assembly (see “Installing the compute node cover” on page 883 for instructions).

Important: The heat sink fillers protect the microprocessor socket from potential damage during shipping.

Step 14. Make sure that both microprocessor sockets on defective system-board assembly have heat sink fillers installed; then, install the cover that came with the replacement system-board assembly onto the defective system-board assembly (see “Installing the compute node cover” on page 883 for instructions).

Note: Retention clips that secure the I/O expansion adapters must be in the closed position to install the cover.

Step 15. If a blank ID label plate is on the replacement system-board assembly, remove it and discard (see “Removing the ID label plate” on page 891).

Step 16. Remove the ID label plate that has machine type and serial number information from the front panel of the defective system-board assembly and immediately install it on the replacement system-board assembly (see “Removing the ID label plate” on page 891 and “Installing the ID label plate” on page 892).

Note: If your compute node has an RFID tag, it is already attached to the ID label plate.

Step 17. If an Attention label is on the replacement system-board assembly front panel above the power button, read it; then, remove the label and discard it before turning on the compute node.

Step 18. The replacement system-board assembly comes with a Repair Identification (RID) tag. Using a fine tip indelible ink pen, transfer the machine type and serial number from the defective system-board assembly to the label on the Repair Identification tag; then, place the tag in the recessed area 1 on the bottom of replacement system-board assembly.

REPAIR IDENTIFICATION (RID) TAG

INSTRUCTIONS

MT _____ RID Tag 1
SN _____
MT _____ RID Tag 2 (optional)
SN _____

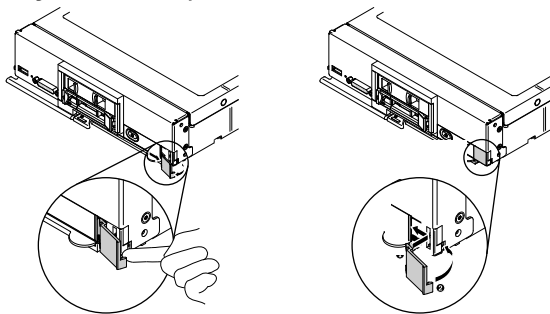
1. Verify that the serial number of the failing system matches the serial number reported to service.
2. Copy the machine type and serial number from the failing system to a blank RID tag.

Note:

- Use a fine tip indelible ink pen to complete the RID tag.
- If a RID tag is present on the failing system, do not attempt to remove and reuse the existing RID tag. Use new RID tag for the replacement system board.

3. Locate the recessed area on bottom of replacement system board. Attach RID tag in section [1].

4. Remove Label Plate from front of failing system and install into the opening on the new system board.



Note:

See system documentation for detailed replacement procedures.

After you transfer components to the replacement system-board assembly, complete the following steps:

1. Install the compute node in the chassis (see “Installing a compute node in a chassis” on page 875 for instructions).
2. Use the CMM Web Interface to restore the IP address of the compute node IMM. See Starting the web interface in the "Flex System Chassis Management Module: User's Guide" at http://pic.dhe.ibm.com/infocenter/flexsys/information/topic/com.lenovo.acc.cmm.doc/cmm_ug_startwebinterface.html for more information.

Note: If you configured static IP addresses, you will not be able to access the node remotely or from a management device until the IP address of the IMM is restored.

3. Reactivate any Features on Demand features. Instructions for automating the activation of features and installing activation keys is in the *Lenovo Features on Demand Users Guide*. To download the document, go to <http://www.ibm.com/systems/x/fod/>, log in, and click **Help**.
4. Update the Universally Unique Identifier (UUID) and DMI/SMBIOS data with new vital product data (VPD). Use the Advanced Settings Utility to update the UUID and DMI/SMBIOS data (see “Updating the Universally Unique Identifier (UUID) and DMI/SMBIOS data with vital product data” on page 30).
5. Update the compute node with the latest firmware or restore the preexisting firmware (see “Updating firmware and device drivers” on page 21 for more information).

If you are instructed to return the defective system-board assembly, follow all packaging instructions, and use any packaging materials for shipping that are supplied to you.

Important: Make sure that both heat-sink fillers are installed on the defective system-board assembly that you are returning, prior to shipment. Use the heat-sink fillers that were removed from the replacement system-board assembly when you installed the microprocessors. Do *not* install the microprocessor socket dust covers in the defective system-board assembly that you are returning.

Appendix A. Getting help and technical assistance

If you need help, service, or technical assistance or just want more information about Lenovo products, you will find a wide variety of sources available from Lenovo to assist you.

Use this information to obtain additional information about Lenovo and Lenovo products, and determine what to do if you experience a problem with your Lenovo system or optional device.

Note: This section includes references to IBM web sites and information about obtaining service. IBM is Lenovo's preferred service provider for the System x, Flex System, and NeXtScale System products.

Before you call

Before you call, make sure that you have taken these steps to try to solve the problem yourself.

If you believe that you require warranty service for your Lenovo product, the service technicians will be able to assist you more efficiently if you prepare before you call.

- Check all cables to make sure that they are connected.
- Check the power switches to make sure that the system and any optional devices are turned on.
- Check for updated software, firmware, and operating-system device drivers for your Lenovo product. The Lenovo Warranty terms and conditions state that you, the owner of the Lenovo product, are responsible for maintaining and updating all software and firmware for the product (unless it is covered by an additional maintenance contract). Your service technician will request that you upgrade your software and firmware if the problem has a documented solution within a software upgrade.
- If you have installed new hardware or software in your environment, check <http://www.lenovo.com/serverproven/> to make sure that the hardware and software is supported by your product.
- Go to <http://www.lenovo.com/support> to check for information to help you solve the problem.
- Gather the following information to provide to the service technician. This data will help the service technician quickly provide a solution to your problem and ensure that you receive the level of service for which you might have contracted.
 - Hardware and Software Maintenance agreement contract numbers, if applicable
 - Machine type number (Lenovo 4-digit machine identifier)
 - Model number
 - Serial number
 - Current system UEFI and firmware levels
 - Other pertinent information such as error messages and logs
- Go to http://www.ibm.com/support/entry/portal/Open_service_request to submit an Electronic Service Request. Submitting an Electronic Service Request will start the process of determining a solution to your problem by making the pertinent information available to the service technicians. The IBM service technicians can start working on your solution as soon as you have completed and submitted an Electronic Service Request.

You can solve many problems without outside assistance by following the troubleshooting procedures that Lenovo provides in the online help or in the Lenovo product documentation. The Lenovo product documentation also describes the diagnostic tests that you can perform. The documentation for most systems, operating systems, and programs contains troubleshooting procedures and explanations of error messages and error codes. If you suspect a software problem, see the documentation for the operating system or program.

Using the documentation

Information about your Lenovo system and preinstalled software, if any, or optional device is available in the product documentation. That documentation can include printed documents, online documents, readme files, and help files.

See the troubleshooting information in your system documentation for instructions for using the diagnostic programs. The troubleshooting information or the diagnostic programs might tell you that you need additional or updated device drivers or other software. Lenovo maintains pages on the World Wide Web where you can get the latest technical information and download device drivers and updates. To access these pages, go to <http://www.lenovo.com/support>.

Getting help and information from the World Wide Web

Up-to-date information about Lenovo products and support is available on the World Wide Web.

On the World Wide Web, up-to-date information about Lenovo systems, optional devices, services, and support is available at <http://www.lenovo.com/support>. The most current version of the product documentation is available in the following product-specific Information Centers:

Flex System products:<http://pic.dhe.ibm.com/infocenter/flexsys/information/index.jsp>

System x products:<http://shop.lenovo.com/us/en/systems/>

NeXtScale System products:<http://pic.dhe.ibm.com/infocenter/nxtscale/documentation/index.jsp>

How to send DSA data

You can use the Enhanced Customer Data Repository to send diagnostic data to IBM.

Before you send diagnostic data to IBM, read the terms of use at <http://www.ibm.com/de/support/ecurep/terms.html>.

You can use any of the following methods to send diagnostic data:

- **Standard upload:** http://www.ibm.com/de/support/ecurep/send_http.html
- **Standard upload with the system serial number:** http://www.ecurep.ibm.com/app/upload_hw
- **Secure upload:** http://www.ibm.com/de/support/ecurep/send_http.html#secure
- **Secure upload with the system serial number:** https://www.ecurep.ibm.com/app/upload_hw

Creating a personalized support web page

You can create a personalized support web page by identifying Lenovo products that are of interest to you.

To create a personalized support web page, go to <http://www.ibm.com/support/mynotifications>. From this personalized page, you can subscribe to weekly email notifications about new technical documents, search for information and downloads, and access various administrative services.

Software service and support

Through IBM Support Line, you can get telephone assistance, for a fee, with usage, configuration, and software problems with your Lenovo products.

For more information about Support Line and other IBM services, see <http://www.ibm.com/services> or see <http://www.ibm.com/planetwide> for support telephone numbers. In the U.S. and Canada, call 1-800-IBM-SERV (1-800-426-7378).

Hardware service and support

IBM is Lenovo's preferred service provider for the System x, Flex System and NeXtScale System products.

You can receive hardware service through your Lenovo reseller or from IBM. To locate a reseller authorized by Lenovo to provide warranty service, go to <http://www.ibm.com/partnerworld> and click **Business Partner Locator**. For IBM support telephone numbers, see <http://www.ibm.com/planetwide>. In the U.S. and Canada, call 1-800-IBM-SERV (1-800-426-7378).

In the U.S. and Canada, hardware service and support is available 24 hours a day, 7 days a week. In the U.K., these services are available Monday through Friday, from 9 a.m. to 6 p.m.

Taiwan product service

Use this information to contact IBM Taiwan product service.

台灣 IBM 產品服務聯絡方式：
台灣國際商業機器股份有限公司
台北市松仁路 7 號 3 樓
電話：0800-016-888

IBM Taiwan product service contact information:

IBM Taiwan Corporation
3F, No 7, Song Ren Rd.
Taipei, Taiwan
Telephone: 0800-016-888

Appendix B. Notices

Lenovo may not offer the products, services, or features discussed in this document in all countries. Consult your local Lenovo representative for information on the products and services currently available in your area.

Any reference to a Lenovo product, program, or service is not intended to state or imply that only that Lenovo product, program, or service may be used. Any functionally equivalent product, program, or service that does not infringe any Lenovo intellectual property right may be used instead. However, it is the user's responsibility to evaluate and verify the operation of any other product, program, or service.

Lenovo may have patents or pending patent applications covering subject matter described in this document. The furnishing of this document does not give you any license to these patents. You can send license inquiries, in writing, to:

*Lenovo (United States), Inc.
1009 Think Place - Building One
Morrisville, NC 27560
U.S.A.
Attention: Lenovo Director of Licensing*

LENOVO PROVIDES THIS PUBLICATION "AS IS" WITHOUT WARRANTY OF ANY KIND, EITHER EXPRESS OR IMPLIED, INCLUDING, BUT NOT LIMITED TO, THE IMPLIED WARRANTIES OF NON-INFRINGEMENT, MERCHANTABILITY OR FITNESS FOR A PARTICULAR PURPOSE. Some jurisdictions do not allow disclaimer of express or implied warranties in certain transactions, therefore, this statement may not apply to you.

This information could include technical inaccuracies or typographical errors. Changes are periodically made to the information herein; these changes will be incorporated in new editions of the publication. Lenovo may make improvements and/or changes in the product(s) and/or the program(s) described in this publication at any time without notice.

The products described in this document are not intended for use in implantation or other life support applications where malfunction may result in injury or death to persons. The information contained in this document does not affect or change Lenovo product specifications or warranties. Nothing in this document shall operate as an express or implied license or indemnity under the intellectual property rights of Lenovo or third parties. All information contained in this document was obtained in specific environments and is presented as an illustration. The result obtained in other operating environments may vary.

Lenovo may use or distribute any of the information you supply in any way it believes appropriate without incurring any obligation to you.

Any references in this publication to non-Lenovo Web sites are provided for convenience only and do not in any manner serve as an endorsement of those Web sites. The materials at those Web sites are not part of the materials for this Lenovo product, and use of those Web sites is at your own risk.

Any performance data contained herein was determined in a controlled environment. Therefore, the result obtained in other operating environments may vary significantly. Some measurements may have been made on development-level systems and there is no guarantee that these measurements will be the same on generally available systems. Furthermore, some measurements may have been estimated through extrapolation. Actual results may vary. Users of this document should verify the applicable data for their specific environment.

Trademarks

Lenovo, the Lenovo logo, Flex System, System x, NeXtScale System, and x Architecture are trademarks of Lenovo in the United States, other countries, or both.

Intel and Intel Xeon are trademarks of Intel Corporation in the United States, other countries, or both.

Internet Explorer, Microsoft, and Windows are trademarks of the Microsoft group of companies.

Linux is a registered trademark of Linus Torvalds.

Other company, product, or service names may be trademarks or service marks of others.

Important notes

Processor speed indicates the internal clock speed of the microprocessor; other factors also affect application performance.

CD or DVD drive speed is the variable read rate. Actual speeds vary and are often less than the possible maximum.

When referring to processor storage, real and virtual storage, or channel volume, KB stands for 1 024 bytes, MB stands for 1 048 576 bytes, and GB stands for 1 073 741 824 bytes.

When referring to hard disk drive capacity or communications volume, MB stands for 1 000 000 bytes, and GB stands for 1 000 000 000 bytes. Total user-accessible capacity can vary depending on operating environments.

Maximum internal hard disk drive capacities assume the replacement of any standard hard disk drives and population of all hard-disk-drive bays with the largest currently supported drives that are available from Lenovo.

Maximum memory might require replacement of the standard memory with an optional memory module.

Each solid-state memory cell has an intrinsic, finite number of write cycles that the cell can incur. Therefore, a solid-state device has a maximum number of write cycles that it can be subjected to, expressed as total bytes written (TBW). A device that has exceeded this limit might fail to respond to system-generated commands or might be incapable of being written to. Lenovo is not responsible for replacement of a device that has exceeded its maximum guaranteed number of program/erase cycles, as documented in the Official Published Specifications for the device.

Lenovo makes no representations or warranties with respect to non-Lenovo products. Support (if any) for the non-Lenovo products is provided by the third party, not Lenovo.

Some software might differ from its retail version (if available) and might not include user manuals or all program functionality.

Recycling information

Lenovo encourages owners of information technology (IT) equipment to responsibly recycle their equipment when it is no longer needed. Lenovo offers a variety of programs and services to assist equipment owners in recycling their IT products. For information on recycling Lenovo products, go to: <http://www.lenovo.com/recycling>.

Particulate contamination

Attention: Airborne particulates (including metal flakes or particles) and reactive gases acting alone or in combination with other environmental factors such as humidity or temperature might pose a risk to the device that is described in this document.

Risks that are posed by the presence of excessive particulate levels or concentrations of harmful gases include damage that might cause the device to malfunction or cease functioning altogether. This specification sets forth limits for particulates and gases that are intended to avoid such damage. The limits must not be viewed or used as definitive limits, because numerous other factors, such as temperature or moisture content of the air, can influence the impact of particulates or environmental corrosives and gaseous contaminant transfer. In the absence of specific limits that are set forth in this document, you must implement practices that maintain particulate and gas levels that are consistent with the protection of human health and safety. If Lenovo determines that the levels of particulates or gases in your environment have caused damage to the device, Lenovo may condition provision of repair or replacement of devices or parts on implementation of appropriate remedial measures to mitigate such environmental contamination. Implementation of such remedial measures is a customer responsibility.

Table 18. Limits for particulates and gases

Contaminant	Limits
Particulate	<ul style="list-style-type: none">The room air must be continuously filtered with 40% atmospheric dust spot efficiency (MERV 9) according to ASHRAE Standard 52.2¹.Air that enters a data center must be filtered to 99.97% efficiency or greater, using high-efficiency particulate air (HEPA) filters that meet MIL-STD-282.The deliquescent relative humidity of the particulate contamination must be more than 60%².The room must be free of conductive contamination such as zinc whiskers.
Gaseous	<ul style="list-style-type: none">Copper: Class G1 as per ANSI/ISA 71.04-1985³Silver: Corrosion rate of less than 300 Å in 30 days

¹ ASHRAE 52.2-2008 - *Method of Testing General Ventilation Air-Cleaning Devices for Removal Efficiency by Particle Size*. Atlanta: American Society of Heating, Refrigerating and Air-Conditioning Engineers, Inc.

² The deliquescent relative humidity of particulate contamination is the relative humidity at which the dust absorbs enough water to become wet and promote ionic conduction.

³ ANSI/ISA-71.04-1985. *Environmental conditions for process measurement and control systems: Airborne contaminants*. Instrument Society of America, Research Triangle Park, North Carolina, U.S.A.

Telecommunication regulatory statement

This product may not be certified in your country for connection by any means whatsoever to interfaces of public telecommunications networks. Further certification may be required by law prior to making any such connection. Contact a Lenovo representative or reseller for any questions.

Electronic emission notices

When you attach a monitor to the equipment, you must use the designated monitor cable and any interference suppression devices that are supplied with the monitor.

Federal Communications Commission (FCC) statement

Note: This equipment has been tested and found to comply with the limits for a Class A digital device, pursuant to Part 15 of the FCC Rules. These limits are designed to provide reasonable protection against harmful interference when the equipment is operated in a commercial environment. This equipment

generates, uses, and can radiate radio frequency energy and, if not installed and used in accordance with the instruction manual, may cause harmful interference to radio communications. Operation of this equipment in a residential area is likely to cause harmful interference, in which case the user will be required to correct the interference at his own expense.

Properly shielded and grounded cables and connectors must be used in order to meet FCC emission limits. Lenovo is not responsible for any radio or television interference caused by using other than recommended cables and connectors or by unauthorized changes or modifications to this equipment. Unauthorized changes or modifications could void the user's authority to operate the equipment.

This device complies with Part 15 of the FCC Rules. Operation is subject to the following two conditions: (1) this device may not cause harmful interference, and (2) this device must accept any interference received, including interference that might cause undesired operation.

Industry Canada Class A emission compliance statement

This Class A digital apparatus complies with Canadian ICES-003.

Avis de conformité à la réglementation d'Industrie Canada

Cet appareil numérique de la classe A est conforme à la norme NMB-003 du Canada.

Australia and New Zealand Class A statement

Attention: This is a Class A product. In a domestic environment this product may cause radio interference in which case the user may be required to take adequate measures.

Declaración de conformidad de las directivas de EMC de la Unión Europea

This product is in conformity with the protection requirements of EU Council Directive 2014/30/EU on the approximation of the laws of the Member States relating to electromagnetic compatibility. Lenovo cannot accept responsibility for any failure to satisfy the protection requirements resulting from a non-recommended modification of the product, including the installation of option cards from other manufacturers.

This product has been tested and found to comply with the limits for Class A equipment according to European Standards harmonized in the Directives in compliance. The limits for Class A equipment were derived for commercial and industrial environments to provide reasonable protection against interference with licensed communication equipment.

Lenovo, Einsteinova 21, 851 01 Bratislava, Slovakia



Warning: This is a Class A product. In a domestic environment this product may cause radio interference in which case the user may be required to take adequate measures.

Germany Class A statement

Deutschsprachiger EU Hinweis: Hinweis für Geräte der Klasse A EU-Richtlinie zur Elektromagnetischen Verträglichkeit

Deutschsprachiger EU Hinweis: Hinweis für Geräte der Klasse A EU-Richtlinie zur Elektromagnetischen Verträglichkeit Dieses Produkt entspricht den Schutzanforderungen der EU-Richtlinie 2014/30/EU (früher 2004/108/EC) zur Angleichung der Rechtsvorschriften über die elektromagnetische Verträglichkeit in den EU-Mitgliedsstaaten und hält die Grenzwerte der Klasse A der Norm gemäß Richtlinie.

Um dieses sicherzustellen, sind die Geräte wie in den Handbüchern beschrieben zu installieren und zu betreiben. Des Weiteren dürfen auch nur von der Lenovo empfohlene Kabel angeschlossen werden. Lenovo übernimmt keine Verantwortung für die Einhaltung der Schutzanforderungen, wenn das Produkt ohne Zustimmung der Lenovo verändert bzw. wenn Erweiterungskomponenten von Fremdherstellern ohne Empfehlung der Lenovo gesteckt/eingebaut werden.

Deutschland:

Einhaltung des Gesetzes über die elektromagnetische Verträglichkeit von Betriebsmitteln Dieses Produkt entspricht dem „Gesetz über die elektromagnetische Verträglichkeit von Betriebsmitteln“ EMVG (früher „Gesetz über die elektromagnetische Verträglichkeit von Geräten“). Dies ist die Umsetzung der EU-Richtlinie 2014/30/EU (früher 2004/108/EC) in der Bundesrepublik Deutschland.

Zulassungsbescheinigung laut dem Deutschen Gesetz über die elektromagnetische Verträglichkeit von Betriebsmitteln, EMVG vom 20. Juli 2007 (früher Gesetz über die elektromagnetische Verträglichkeit von Geräten), bzw. der EMV EU Richtlinie 2014/30/EU (früher 2004/108/EC), für Geräte der Klasse A.

Dieses Gerät ist berechtigt, in Übereinstimmung mit dem Deutschen EMVG das EG-Konformitätszeichen - CE - zu führen. Verantwortlich für die Konformitätserklärung nach Paragraf 5 des EMVG ist die Lenovo (Deutschland) GmbH, Gropiusplatz 10, D-70563 Stuttgart.

Informationen in Hinsicht EMVG Paragraf 4 Abs. (1) 4: **Das Gerät erfüllt die Schutzanforderungen nach EN 55024 und EN 55022 Klasse A.**

Nach der EN 55022: „Dies ist eine Einrichtung der Klasse A. Diese Einrichtung kann im Wohnbereich Funkstörungen verursachen; in diesem Fall kann vom Betreiber verlangt werden, angemessene Maßnahmen durchzuführen und dafür aufzukommen.“

Nach dem EMVG: „Geräte dürfen an Orten, für die sie nicht ausreichend entstört sind, nur mit besonderer Genehmigung des Bundesministers für Post und Telekommunikation oder des Bundesamtes für Post und Telekommunikation betrieben werden. Die Genehmigung wird erteilt, wenn keine elektromagnetischen Störungen zu erwarten sind.“ (Auszug aus dem EMVG, Paragraph 3, Abs. 4). Dieses Genehmigungsverfahren ist nach Paragraph 9 EMVG in Verbindung mit der entsprechenden Kostenverordnung (Amtsblatt 14/93) kostenpflichtig.

Anmerkung: Um die Einhaltung des EMVG sicherzustellen sind die Geräte, wie in den Handbüchern angegeben, zu installieren und zu betreiben.

Japan VCCI Class A statement

この装置は、クラス A 情報技術装置です。この装置を家庭環境で使用すると電波妨害を引き起こすことがあります。この場合には使用者が適切な対策を講ずるよう要求されることがあります。

VCCI-A

This is a Class A product based on the standard of the Voluntary Control Council for Interference (VCCI). If this equipment is used in a domestic environment, radio interference may occur, in which case the user may be required to take corrective actions.

Japan Electronics and Information Technology Industries Association (JEITA) statement

高調波ガイドライン準用品

Japan Electronics and Information Technology Industries Association (JEITA) Confirmed Harmonics Guidelines with Modifications (products greater than 20 A per phase)

Korea Communications Commission (KCC) statement

이 기기는 업무용(A급)으로 전자파적합기로서 판매자 또는 사용자는 이 점을 주의하시기 바라며, 가정외의 지역에서 사용하는 것을 목적으로 합니다.

This is electromagnetic wave compatibility equipment for business (Type A). Sellers and users need to pay attention to it. This is for any areas other than home.

Russia Electromagnetic Interference (EMI) Class A statement

ВНИМАНИЕ! Настоящее изделие относится к классу А. В жилых помещениях оно может создавать радиопомехи, для снижения которых необходимы дополнительные меры

People's Republic of China Class A electronic emission statement

中华人民共和国“A类”警告声明

声明

此为A级产品，在生活环境中，该产品可能会造成无线电干扰。在这种情况下，可能需要用户对其干扰采取切实可行的措施。

Taiwan Class A compliance statement

警告使用者：
這是甲類的資訊產品，在居住的環境中使用時，可能會造成射頻干擾，在這種情況下，使用者會被要求採取某些適當的對策。

Taiwan BSMI RoHS declaration

Taiwan BSMI RoHS declaration

設備名稱：伺服器 Equipment name						
單元 Unit	限用物質及其化學符號 Restricted substances and its chemical symbols					
	鉛Lead (Pb)	汞Mercury (Hg)	鎘Cadmium (Cd)	六價鉻 Hexavalent chromium (Cr ⁺⁶)	多溴聯苯 Polybrominated biphenyls (PBB)	多溴二苯醚 Polybrominated diphenyl ethers (PBDE)
機架	○	○	○	○	○	○
外部蓋板	○	○	○	○	○	○
機械組零件	○	○	○	○	○	○
空氣傳動設備	-	○	○	○	○	○
冷卻組零件	-	○	○	○	○	○
內存模塊	-	○	○	○	○	○
處理器模塊	-	○	○	○	○	○
鍵盤	-	○	○	○	○	○
調製解調器	-	○	○	○	○	○
監視器LED	-	○	○	○	○	○
監視器LCD	-	-	○	○	○	○
滑鼠	-	○	○	○	○	○
電纜組零件	-	○	○	○	○	○
電源	-	○	○	○	○	○
儲備設備	-	○	○	○	○	○
電池匣組零件	-	○	○	○	○	○
電池	-	○	○	○	○	○
有mech的電路卡	-	○	○	○	○	○
無mech的電路卡	-	○	○	○	○	○
激光器	-	○	○	○	○	○
<p>備考1. “超出0.1 wt %” 及 “超出0.01 wt %” 係指限用物質之百分比含量超出百分比含量基準值。 Note1: “exceeding 0.1wt%” and “exceeding 0.01 wt%” indicate that the percentage content of the restricted substance exceeds the reference percentage value of presence condition.</p> <p>備考2. “○” 係指該項限用物質之百分比含量未超出百分比含量基準值。 Note2: “○” indicates that the percentage content of the restricted substance does not exceed the percentage of reference value of presence.</p> <p>備考3. “-” 係指該項限用物質為排除項目。 Note3: The “-” indicates that the restricted substance corresponds to the excluded substance.</p>						

Index

1.8-inch drive
 installing 914
 removing 912

A

accessing the IMM2 41
activity LED 12
Adapter for SD Media
 installing 927
 removing 926
adapter-retention assembly
 installing 888
 removing 887
adapters and UEFI drivers, Setup utility 24
Advanced Settings Utility (ASU) 30
array, RAID 914
array, SAS 908
assistance, getting 957
Attention notice, meaning 3
Australia Class A statement 964

B

bezel
 installing 890
 removing 890
boot manager, Setup utility 24
Boot Selection Menu program 30
Brocade documentation 3
button, power 12

C

Canada Class A electronic emission statement 964
Cannot communicate with the CMM 853
Cannot communicate with the I/O module 853
Cannot communicate with the management node 852
cannot connect to the data network during initial setup,
 troubleshooting 854
Cannot log in to the CMM 856
Cannot log in to the I/O module 856
Cannot log in to the management node 856
Cannot log in, troubleshooting 855
Cannot ping the CMM, troubleshooting 856
Cannot ping the I/O module, troubleshooting 858
Cannot ping the management node,
 troubleshooting 859, 862
Caution notice, meaning 3
chassis bulkhead
 installing 881
 removing 880
chassis management module 5
chassis, support for 1
check log LED 12

China Class A electronic emission statement 966
Class A electronic emission notice 964
CMM cannot ping the CMM 857
CMOS battery 17
 installing 894
 removing 893
collecting service data 872
commands on USB interface preference, Setup utility 24
components
 compute node , removing and replacing 873
 illustrated 11
 returning 874
 system board 17
compute node
 installing 875
 parts list 51
 removing 874
compute node cover
 installing 883
 removing 881
compute node start problems 852
configuration
 minimum 897
 updating 874
configuration summary, viewing 43
configuring
 compute node 23
 LAN over USB manually 47
 RAID array 33
configuring a RAID array 33
connectivity problems 852
connectors, system board 17
console breakout cable 15
consumable and structural parts, removing and replacing 877
contamination, particulate and gaseous 963
controller
 memory 5
 video 5
cover
 installing 883
 removing 881
creating a personalized support web page 958
CRUs, Tier 1, removing and replacing 887
CRUs, Tier 2, removing and replacing 931
custom support web page 958

D

Danger notice, meaning 3
Declaración de conformidad de las directivas de EMC
 de la Unión Europea 964
defective node 943
device drivers, updating 21
device, returning 874
devices and I/O ports, Setup utility 24

- diagnostic tools 61
- dimensions, Lenovo Flex System x240 M5 compute node 4
- DIMM
 - installing 897
 - removing 895
 - specifications 4
- DIMM connectors 17
- disabling LAN over USB interface 47
- DMI/SMBIOS data, updating
 - locally: keyboard controller style 30
 - locally: LAN over USB 31
 - remotely over a LAN 32
- documentation
 - using 958
- documentation, Brocade 3
- documentation, related 2
- drive
 - option, SAS 908
- DSA
 - editions 67
 - portable 67
 - preboot 67
 - running 67
 - text messages 68
 - viewing test results 68
- DSA diagnostics
 - overview 66
- DSA log 225
- DSA, sending data 958
- Dynamic system analysis diagnostics
 - DSA 66

E

- electrical equipment, servicing vii
- electronic emission Class A notice 964
- Electronic Service Agent (ESA) 872
- error codes 225
 - IMM 225
 - IMM2 225
 - UEFI diagnostic codes 823
- error symptoms
 - hard disk drive 865
 - software 871
- errors
 - connectivity 852
 - memory 867
 - observable problems 868
 - software 871
- event log
 - IMM2 64
 - viewing without restarting compute node 65
- event logs 225

F

- fabric connector
 - location 17
- fault LED 12
- FCC Class A notice 964

- features
 - ServerGuide 38
- Features on Demand 34
- features, compute node 5
- filler, node bay 875
- finding the UEFI diagnostic code 824
- firmware
 - recovering from update failure 22
 - updating 21
- first-failure data capture (FFDA) 872
- Force legacy video on boot, Setup utility 24
- front handle
 - installing 884
 - removing 884
- front panel
 - installing 878
 - removing 877

G

- gaseous contamination 963
- Germany Class A statement 964
- guidelines
 - installation 873
 - servicing electrical equipment vii
 - system reliability 873
 - trained service technicians vi

H

- handle, front
 - installing 884
 - removing 884
- hard disk drive
 - problems 865
 - specifications 5
 - support 5
- hard disk drive backplane
 - installing 906
 - removing 905
- hard disk drive cage
 - installing 886
 - removing 885
- hard disk drives
 - hot swap, installing 908
 - specifications 5
 - support 5
- hardware service and support telephone numbers 959
- HDD backplane connector 17
- heat sink
 - installing 935
 - removing 931
 - thermal grease 942
- help
 - from the World Wide Web 958
 - from World Wide Web 958
 - sending diagnostic data 958
 - sources of 957
- host compute node startup sequence, changing 43
- hot-swap hard disk device

- SAS hard disk drive 908
- hot-swap hard disk drive
 - installing 908
 - removing 907
- hot-swap hard disk drive backplane
 - installing 906
 - removing 905
- hot-swap hard disk drive cage
 - removing 885

I

- I/O expansion adapter
 - installing 923
 - removing 922
- I/O expansion connectors 17
- ID label plate
 - installing 892
 - removing 891
- identification label plate
 - installing 892
 - removing 891
- identify LED 12
- IMM2
 - accessing 46
 - action descriptions 43
 - clearing the system event log 24
 - IP addresses, LAN over USB 46
 - MAC address and hostname 41
 - network access tag 41
 - reset to defaults 24
 - Setup utility 24
 - system event log, viewing through Setup utility 64
 - using 41
 - viewing from Setup utility 64
 - viewing the system event log 24
- Important notice, meaning 3
- important notices 962
- information center 958
- inspecting for unsafe conditions vi
- installation guidelines 873
- installing
 - 1.8-inch drive 914
 - bezel 890
 - compute node 875
 - front panel 878
 - hot-swap hard disk drives 908
 - ID label plate 892
 - identification label plate 892
 - optional devices 873
 - RFID tag 925
 - SAS hard disk drive 908
 - solid state drive mounting sleeve 911
- installing an optional device 873
- integrated management module
 - IMM2 24
- intermittent connectivity problems 867
- intermittent problems 866
- interposer cable
 - installing 921

- removing 920
- IP addresses, LAN over USB 46

J

- Japan Class A electronic emission statement 965
- Japan Electronics and Information Technology Industries Association statement 966
- JEITA statement 966
- jumpers, system board 19

K

- KCS address, IMM2 46
- keyboard controller style address, IMM2 46
- Korea Class A electronic emission statement 966

L

- LAN over USB
 - configuring manually 47
 - conflicts 47
 - disabling interface 47
 - IP addresses 46
 - Linux driver installation 49
 - resolving conflicts 47
 - Windows driver installation 48
- LEDs
 - activity 12
 - check log 12
 - CMOS battery error 18
 - DIMMs 18
 - fault 12
 - I/O expansion adapter 18
 - identify 12
 - microprocessor 18
 - power 12
 - SAS backplane 18
 - system board 18
 - viewing 61
- legacy support, Setup utility 24
- legacy Think support, Setup utility 24
- Lenovo Flex System x240 M5 compute node
 - dimensions 4
 - specifications 4
 - weight 4
- Lenovo XClarity Administrator 9
- light path diagnostics 61
- light path diagnostics panel 18
- light path diagnostics, viewing 61
- Linux driver, LAN over USB 49
- load-sharing
 - power throttling 5
- Logic Configuration Utility, LSI 34
- LSI Logic Configuration Utility 34

M

- MAC address 41
- MAC address label 41

- major components
 - system board 11
- memory
 - specifications 4
- memory mirroring 897
- memory module
 - installing 897
 - removing 895
 - specifications 5
- memory problems 867
- memory, Setup utility 24
- messages
 - IMM 225
 - UEFI diagnostic codes 823
- microprocessor
 - installing 935
 - removing 931
 - specifications 4
 - thermal grease 942
- microprocessor connector 17
- minimum configuration 897
- Multiple nodes cannot ping the CMM 857
- Multiple nodes cannot ping the I/O module 859
- Multiple nodes cannot ping the management node 860, 862, 864–865
- Multiple nodes cannot ping the management node in a different chassis 861, 864
- multiple nodes do not power on 871

N

- network access tag 41
- network configuration, Setup utility 24
- network, Setup utility 24
- New Zealand Class A statement 964
- node bay filler 875
- NOS installation
 - without ServerGuide 39
- notes, important 962
- notices 961
 - electronic emission 964
 - FCC, Class A 964
- nx boot failure 29

O

- observable problems 868
- one compute node experiences a sudden loss of network (Ethernet) connectivity 855
- one compute node is unable to connect to the data network during initial setup 854
- one or more compute nodes is unable to communicate with SAN 853
- operating modes, Setup utility 24
- operating system
 - installing 37–38
- operating system installation
 - with ServerGuide 39
- optional device and replaceable component installation problems 869

- optional devices, installing 873

P

- particulate contamination 963
- parts listing 51
- People's Republic of China Class A electronic emission statement 966
- performance problems 869
- POST
 - event viewer 24
- POST event log 225
- POST watchdog timer, Setup utility 24
- power
 - throttling 5
- power button 12
- power LED 12
- power, Setup utility 24
- power-on problems 870–871
 - compute node does not power off 871
 - single node does not power on 870
- problems 854
 - compute node start 852
 - connectivity 852
 - hard disk drive 865
 - intermittent 866
 - intermittent connectivity 867
 - memory 867
 - multiple nodes do not power on 871
 - observable problems 868
 - optional device and replaceable component installation 869
 - performance 869
 - power-on 870–871
 - compute node does not power off 871
 - single node does not power on 870
 - software 871
 - undetermined 872
- processors, Setup utility 24
- product service, Taiwan 959
- publications, Brocade 3
- publications, related 2
- PXE Boot Agent 43
- PXE boot protocol, setting 29

Q

- QR code 1, 5, 51
- quick response code 1, 5, 51

R

- RAID array, type supported 914
- reboot system on NMI, Setup utility 24
- redundant array of independent disks (RAID) 914
 - SAS array 908
- rehook INT, Setup utility 24
- related documentation 2
- reliability
 - features 10

- RAS features 10
- removing
 - 1.8-inch drive 912
 - bezel 890
 - compute node 874
 - front handle 884
 - front panel 877
 - hot-swap hard disk drive 907
 - ID label plate 891
 - identification label plate 891
 - RFID tag 924
 - solid state drive 912
- removing and replacing compute node components 873
- removing and replacing consumable and structural parts 877
- removing and replacing CRUs 887, 931
- replacing
 - thermal grease 942
- returning a device or component 874
- RFID tag
 - installing 925
 - removing 924
- Russia Class A electronic emission statement 966

S

- safety v
- safety statements v, viii
- SAS array, type supported 908
- SAS hard disk drive
 - hot-swap hard disk device 908
 - installing 908
- SAS ID address 41
- SCSI 908
- SD adapter
 - installing 927
 - removing 926
- SD card
 - installing 930
 - removing 929
- SD Media Adapter for System x
 - installing 927
 - removing 926
- sending diagnostic data 958
- Serial Attached SCSI (SAS)
 - hot-swap hard disk drive
 - installing 908
 - removing 907
- ServeRAID controller
 - removing 916
- ServeRAID controller
 - installing 918
- ServerGuide
 - features 38
 - using to install operating system 39
- ServerGuide CD 5
- service and support
 - before you call 957
 - hardware 959
 - software 959
- Service and Support Manager 872

- service bulletins 61
- servicing electrical equipment vii
- setting the PXE boot protocol 29
- Setup utility 39
 - menu 24
 - overview 24
- Single node cannot ping the CMM 856
- Single node cannot ping the I/O module 858
- Single node cannot ping the management node 859, 862
- Single node cannot ping the management node, different chassis 860, 863
- SMBIOS data, updating
 - locally: keyboard controller style 30
 - locally: LAN over USB 31
 - remotely over a LAN 32
- software problems 871
- software service and support telephone numbers 959
- solid state drive
 - installing 914
 - removing 912
- solid state drive mounting sleeve
 - installing 911
 - removing 909
- specifications
 - Lenovo Flex System x240 M5 compute node 4
- SSD
 - installing 914
 - solid state drive 912
- start options, Setup utility 24
- starting the compute node 15
- startup sequence, changing 43
- static electricity 874
- static-sensitive devices, handling 874
- stopping the compute node 17
- storage drive
 - problems 865
- support web page, custom 958
- switches, system board 19
- system board
 - connectors 17
 - jumpers 19
 - layouts 17
 - LEDs 18
 - switches 19
- system board FRU 943
- system event log 225
- system event logs, Setup utility 24
- system information, Setup utility 24
- system reliability guidelines 873
- system security, Setup utility 24
- system settings, Setup utility 24
- system summary, Setup utility 24
- system-board assembly
 - components 11
 - installing 943
 - removing 943
 - replacing 943
- systems management
 - chassis management module 5
 - Flex System Manager management software 5

T

- Taiwan BSMI RoHS declaration 967
- Taiwan Class A electronic emission statement 966
- Taiwan product service 959
- telecommunication regulatory statement 963
- telephone numbers 959
- thermal grease, replacing 942
- Tier 1 CRU 873
- Tier 1 CRUs, removing and replacing 887
- Tier 2 CRU 873
- Tier 2 CRUs, removing and replacing 931
- TPM
 - Setup utility 24
- trademarks 962
- trained service technicians, guidelines vi
- troubleshooting 61
 - service bulletins 61
- troubleshooting tables 852
- Troubleshooting, cannot communicate with the CMM 853
- Troubleshooting, cannot communicate with the I/O module 853
- Troubleshooting, cannot communicate with the management node 852
- troubleshooting, cannot connect to the data network during initial setup 854
- Troubleshooting, cannot log in 855
- Troubleshooting, cannot log in to the CMM 856
- Troubleshooting, cannot log in to the I/O module 856
- Troubleshooting, cannot log in to the management node 856
- Troubleshooting, cannot ping the CMM 856
- Troubleshooting, cannot ping the I/O module 858
- Troubleshooting, cannot ping the management node 859, 862
- Troubleshooting, CMM cannot ping the CMM 857
- Troubleshooting, multiple nodes cannot ping the CMM 857
- Troubleshooting, multiple nodes cannot ping the I/O module 859
- Troubleshooting, multiple nodes cannot ping the management node 860, 862, 864–865
- Troubleshooting, multiple nodes cannot ping the management node in a different chassis 861, 864
- troubleshooting, one compute node experiences a sudden loss of network (Ethernet) connectivity 855
- troubleshooting, one compute node is unable to connect to the data network during initial setup 854
- troubleshooting, one or more compute nodes is unable to communicate with SAN 853
- Troubleshooting, single node cannot ping the CMM 856
- Troubleshooting, single node cannot ping the I/O module 858
- Troubleshooting, single node cannot ping the management node 859, 862
- Troubleshooting, single node cannot ping the management node, different chassis 860, 863
- troubleshooting, two or more compute nodes are unable to connect to the data network during initial setup 855
- troubleshooting, two or more compute nodes experience a sudden loss of network (Ethernet) connectivity 855
- trusted platform module, Setup utility 24
- turning off the compute node 17
- turning on the compute node 15

- two or more compute nodes are unable to connect to the data network during initial setup 855
- two or more compute nodes experience a sudden loss of network (Ethernet) connectivity 855

U

- UEFI diagnostic codes 823
- UEFI drivers, Setup utility 24
- UEFI firmware
 - recovering from update failure 22
 - updating 21
 - updating using Flex System Manager Chassis Manager 21
 - updating using Lenovo ToolsCenter Bootable Media Creator 21
 - updating using UpdateXpress 21
- unable to communicate 852
- undetermined problems 872
- United States FCC Class A notice 964
- unsafe conditions, inspecting for vi
- updating
 - configuration 874
 - device drivers 21
 - firmware 21
- user security, Setup utility 24

V

- viewing DSA test results 68
- Virtual Light Path 43

W

- web interface
 - logging on to 42
- weight, Lenovo Flex System x240 M5 compute node 4
- Windows driver, LAN over USB 48



Part Number: 00MV563

Printed in China

(1P) P/N: 00MV563

