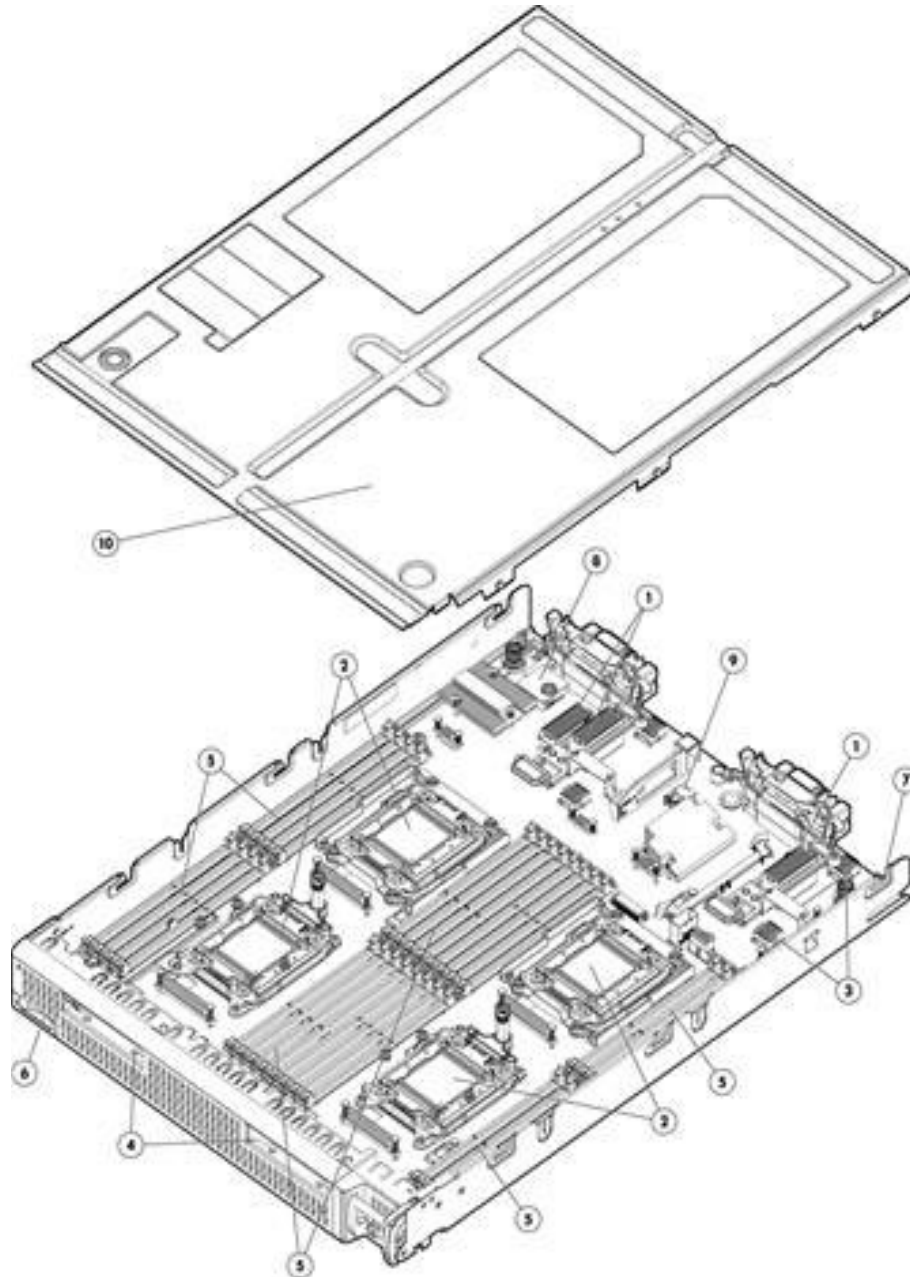


### Overview

### HPE ProLiant BL660c Gen8 Server Blade



#### HPE ProLiant BL660c Gen8 Server Blade

- |   |   |
|---|---|
| 1. Three (3) PCIe 3.0 mezzanine I/O expansion slots                         | 6. HPE c-Class Blade SUV (Serial, USB, VGA) connector |
| 2. Up to four (4) Intel® Xeon® E5-4600 and E5-4600v2 families of processors | 7. MicroSDHC card connector                           |
| 3. Two FlexibleLOM connectors   | 8. Trusted Platform Module (TPM) connector            |
| 4. Two (2) small form factor (SFF) hot-plug drive bays                      | 9. Internal USB 2.0 connector                         |
| 5. Thirty-two (32) DDR3 DIMM memory slots (8 per processor)                 | 10. Access panel                                      |

**QuickSpecs**

---

**Overview**

---

**What's New**

- Support for the Intel® Xeon® processor E5-4600v2 product family
- Support for DDR3-1600 1.35V memory.
- Support for DDR3-1866 1.5V memory.
- Support for 12G SAS High Endurance Hot Plug SFF (2.5-inch) Enterprise Performance and Enterprise Mainstream Solid State Drives

## QuickSpecs

---

**Standard Features**

**NOTE:** This document covers the HPE ProLiant BL660c Gen8 server blade only. For information on HPE BladeSystems c-Class Enclosures and HPE BladeSystem c-Class interconnect and mezzanine options, please see the following:

HPE BladeSystem c-Class Enclosures QuickSpecs:

- HPE BladeSystem c3000 Enclosure QuickSpecs at [http://h18000.www1.hp.com/products/QuickSpecs/12790\\_na/12790\\_na.html](http://h18000.www1.hp.com/products/QuickSpecs/12790_na/12790_na.html)  
**NOTE:** The c3000 HPE c-Class enclosures have full backwards and forwards compatibility, existing server blades are supported in the new enclosures and any future server blades will be supported in the existing enclosures.  
**NOTE:** The ProLiant BL660c Gen8 requires the c3000 Enclosure to be configured with 6 fans.
- HPE BladeSystem c7000 Enclosure QuickSpecs at [http://h18000.www1.hp.com/products/QuickSpecs/12810\\_na/12810\\_na.html](http://h18000.www1.hp.com/products/QuickSpecs/12810_na/12810_na.html)  
**NOTE:** The c7000 HPE c-Class enclosures have full backwards and forwards compatibility, existing server blades are supported in the new enclosures and any future server blades will be supported in the existing enclosures.  
**NOTE:** The ProLiant BL660c Gen8 requires the c7000 Enclosure to be configured with 10 fans.
- HPE BladeSystem c-Class interconnect and mezzanine options at <http://h18004.www1.hp.com/products/blades/components/c-class-interconnects.html>  
<http://h18004.www1.hp.com/products/blades/components/c-class-adapters.html>

**NOTE:** For proper BladeSystem operation, the minimum required versions of HPE Onboard Administrator and HPE Virtual Connect are required and available via the HPE Service Pack for ProLiant, please see <http://www.hp.com/go/spp/download>.

---

**Processor**
**E5-4600 v2 series Processors**

One of the following depending on Model

HPE BL660c Gen8 E5-4657Lv2 (2.4GHz/12-core/30MB/115W) Processor  
 HPE BL660c Gen8 E5-4650v2 (2.4GHz/10-core/25MB/95W) Processor  
 HPE BL660c Gen8 E5-4640v2 (2.2GHz/10-core/20MB/95W) Processor  
 HPE BL660c Gen8 E5-4627v2 (3.3GHz/8-core/16MB/130W) Processor  
 HPE BL660c Gen8 E5-4620v2 (2.6GHz/8-core/20MB/95W) Processor  
 HPE BL660c Gen8 E5-4610v2 (2.3GHz/8-core/16MB/95W) Processor  
 HPE BL660c Gen8 E5-4607v2 (2.6GHz/6-core/15MB/95W) Processor  
 HPE BL660c Gen8 E5-4603v2 (2.2GHz/4-core/10MB/95W) Processor

**E5-4600 series Processors**

Intel® Xeon® E5-4650 (2.7GHz/8-core/20MB/130W) Processor  
 Intel® Xeon® E5-4650L (2.6GHz/8-core/20MB/115W) Processor  
 Intel® Xeon® E5-4640 (2.4GHz/8-core/20MB/95W) Processor  
 Intel® Xeon® E5-4620 (2.2GHz/8-core/16MB/95W) Processor  
 Intel® Xeon® E5-4617 (2.9GHz/6-core/15MB/130W) Processor  
 Intel® Xeon® E5-4610 (2.4GHz/6-core/15MB/95W) Processor  
 Intel® Xeon® E5-4607 (2.2GHz/6-core/12MB/95W) Processor  
 Intel® Xeon® E5-4603 (2.0GHz/4-core/10MB/95W) Processor

## QuickSpecs

---

**Standard Features**

<b>Cache Memory</b>	30MB Level 3
One of the following depending on Model	<b>NOTE:</b> E5-4657L v2 processor
	25MB Level 3
	<b>NOTE:</b> E5-4650 v2 processor
	20MB Level 3
	<b>NOTE:</b> E5-4650, E5-4650L, E5-4640, E5-4640 v2, E5-4620 v2 processors
	16MB Level 3
	<b>NOTE:</b> E5-4620, E5-4627 v2, E5-4610 v2 processors
	15MB Level 3
	<b>NOTE:</b> E5-4617, E5-4610, E5-4607 v2 processors
	12MB Level 3
	<b>NOTE:</b> E5-4607 processor
	10MB Level 3
	<b>NOTE:</b> E5-4603, E5-4603 v2 processors
	<b>NOTE:</b> All processor models above list the L3 Cache associated with that particular processor.

---

<b>Chipset</b>	Intel® C600 Series Chipset
	<b>NOTE:</b> For more information regarding Intel chipsets, please see the following: <a href="http://www.intel.com/products/server/chipsets/">http://www.intel.com/products/server/chipsets/</a>

---

<b>Upgradeability</b>	Upgradeable to four (4) processors.
	<b>NOTE:</b> Processor upgrade available from Intel® Xeon® Processors E5-4600 to E5-4600 v2. Please contact HPE Technology Sales ( <a href="http://www.hp.com/support">http://www.hp.com/support</a> ), your local Hewlett Packard Enterprise Re-seller, or reference the following Customer Advisory: ProLiant Servers-Instructions for Upgrading an HPE ProLiant Gen8 Server from an Intel Xeon Processor E5-4600 to an Intel Xeon Processor E5-4600 v2, regarding critical details before upgrading. An explanation of requirements and limitations are provided.

---

<b>On System Management Chipset</b>	HPE iLO (Firmware: HPE iLO 4)
	<b>NOTE:</b> For more information, visit: <a href="http://www.hp.com/go/ilo">http://www.hp.com/go/ilo</a>

---

<b>Memory Protection</b>	Data bus ECC protection
	Advanced ECC / SDDC
	Rank sparring (on line spare)
	Lockstep mode
	DIMM address/control bus parity protection
	Failed DIMM isolation
	Demand scrubbing
	Patrol scrubbing
	Memory thermal control
	Memory mirroring inter-socket

## QuickSpecs

## Standard Features

<b>Memory</b> One of the following depending on Model	Type	HPE SmartMemory
		DDR3 Load Reduced (LRDIMM) and Registered (RDIMM)
	Maximum (LRDIMM)	1.0TB (32 x 32GB) up to 1866MHz at 1.5V
	Maximum (RDIMM)	512GB (32 x 16GB) up to 1600MHz at 1.35V 768GB (32 x 24GB) up to 1333MHz at 1.35V

**NOTE:** HPE memory from previous generation servers are not qualified or warranted with this server.

**NOTE:** HPE SmartMemory is required to realize the memory performance improvements and enhanced functionality listed in this document for Gen8. For additional information, please see the HPE SmartMemory QuickSpecs at:

[http://h18000.www1.hp.com/products/QuickSpecs/14225\\_na/14225\\_na.html](http://h18000.www1.hp.com/products/QuickSpecs/14225_na/14225_na.html)

**NOTE:** LRDIMMs and RDIMMs are distinct memory technologies and cannot be mixed within a server.

**NOTE:** Depending on the memory configuration and processor model, the memory speed may run at 1866MHz, 1600MHz, 1333MHz, or 1066MHz. Please see Memory Population Table later in this document or the Online Memory Configuration Tool at: <http://www.hp.com/go/ddr3memory-configurator>.

**NOTE:** For additional memory rules and guidelines, see the "Memory" section later in this document.

<b>Network Controller</b>	Two (2) HPE FlexibleLOM connectors for one or two dual-port FlexibleLOMs
	<b>NOTE:</b> FlexibleLOM options include 10Gb FlexFabric, 10Gb Flex-10, and 10Gb Ethernet.
	<b>NOTE:</b> FlexFabric capabilities require the use of an HPE Virtual Connect FlexFabric module. Learn more at: <a href="http://www.hp.com/go/bladeflexsystem/interconnects">http://www.hp.com/go/bladeflexsystem/interconnects</a>
	<b>NOTE:</b> The server supports one or two FlexibleLOMs.
	<b>NOTE:</b> For Pre-configured Model configurations, two FlexibleLOMs are already included; no additional FlexibleLOMs are added.
	<b>NOTE:</b> For a Factory Integrated Model configuration with one FlexibleLOM, it is added in the HPE Networking section of "Step 2" in the Factory Integrated Models section.
	<b>NOTE:</b> For a Factory Integrated Model configuration with two FlexibleLOMs, the second FlexibleLOM is a different part number. You must select the first FlexibleLOM in the "Step 2" HPE Networking section and select the second FlexibleLOM in the "Step 4" HPE Networking section.
	<b>NOTE:</b> All FlexibleLOMs are dual port: one port is routed to interconnect module bay 1 and the other to bay 2.

<b>Expansion Slots</b>	Three (3) I/O expansion mezzanine slots: <ul style="list-style-type: none"> <li>• x8 PCIe 3.0 Type A (supports Type A mezzanine cards) (expansion slot 1).</li> <li>• x16 PCIe 3.0 Type B (supports Type A and Type B mezzanine cards (expansion slot 2).</li> <li>• x16 PCIe 3.0 Type B (supports Type A and Type B mezzanine cards (expansion slot 3).</li> </ul> <p>Mezzanine card options include:</p> <ul style="list-style-type: none"> <li>• Dual-port to quad-port (depending on the model) 10Gb FlexFabric, 10Gb Flex-10, 10Gb Ethernet, and 1Gb Ethernet for additional Ethernet network ports.</li> <li>• Dual-port 20Gb Flex Fabric for additional Ethernet network ports.</li> <li>• Dual-port 8Gb and 16Gb Fibre Channel HBAs for SAN connectivity.</li> <li>• QDR and FDR InfiniBand for low latency and high bandwidth server interconnectivity.</li> <li>• HPE Smart Array P721m Controller for direct attached SAS Storage</li> <li>• HPE I/O Accelerator Options for higher I/O performance and low latency access to storage, with the</li> </ul>
------------------------	---

Standard Features

reliability of solid state

**HPE Server ROM**

HPE ROM (read only memory) is now digitally signed using Hewlett Packard Enterprise's Corporate Signing Service. This signature is verified before the flash process starts, reducing accidental programming and preventing malicious efforts to corrupt system ROM.

HPE ROM provides for essential initialization and validation of hardware components before control is passed to the customer-installed operating system. The ROM also provides the capability of booting from various fixed media (HDD, CD-ROM) and removable media (USB), to continue operation to the operating system. HPE ROM performs very early configuration of the video controller, to allow monitoring of initialization progress via an attached monitor. If configuration or hardware errors are discovered during this early phase of hardware initialization, suitable messages are now displayed on the connected monitor. Additionally, these configuration or hardware errors are logged to the Integrated Management Log (IML) to assist in diagnosis.

The HPE ProLiant ROM is used to configure the following:

- Processor and chipset status registers
- System memory, memory map, and memory initialization
- System hardware configuration (integrated PCI devices and optional PCIe cards).
- Customer-specific BIOS configuration using the HPE ROM-Based Setup Utility (RBSU).

**NOTE:** For further information, please refer to the HPE RBSU (ROM based setup utility) user guide at <http://www.hp.com/support/rbsu>.

**Storage Controller**

All Models

One (1) embedded HPE Smart Array P220i Controller

**NOTE:** The HPE Smart Array P220i supports RAID 0 and 1. It includes 512MB flash-backed write cache (FBWC) on pre-configured models and is optional on factory integrated models. The FBWC is not required for RAID capability. The purpose of the cache is it can increase hard drive write performance and provides data protection in case the server losses power.

**NOTE:** The HPE Smart Array P220i supports upgradeable firmware with recovery ROM.

**NOTE:** The HPE Smart Array P220i supports two (2) small form factor (SFF) hot plug drive bays.

Available Options: Smart Array Advanced Pack 2.0 Software for enhanced performance, reliability, availability, and security of system data

**Maximum Internal Storage**

Hot Plug SFF SAS	3.2TB	2 x2.6TB
Hot Plug SFF SATA	3.2TB	2 x 1.6TB
Hot Plug SFF SAS SSD	4.0TB	2 x 2.0TB

**NOTE:** The ProLiant BL660c Gen8 server includes the new HPE hot plug small form factor (SFF) SmartDrive carrier for enhanced management and reduced maintenance errors. HPE drives from previous generation servers are not compatible with the ProLiant BL660c Gen8 drive bays.

**NOTE:** The mixing of standard SAS drives with SAS SSD drives is supported within the server, but limits the RAID configuration to two separate RAID 0 volumes. Mixing of other drives types is not supported.

## QuickSpecs

---

### Standard Features

<b>Interfaces</b>	Micro SDHC Slot	One (1) internal Micro Secure Digital High Capacity (Micro SDHC) card slot
	USB 2.0 Port	One (1) internal USB 2.0 connector for USB flash media drive keys

**NOTE: The above options are for integrated hypervisor virtualization environments needing a low cost boot solution with the highest performance and reliability.**

---

<b>Industry Standard Compliance</b>	ACPI 2.0
	Microsoft® Logo certifications
	USB 2.0 Support
	IMPI 2.0
	Secure Digital 2.0
	TMP 1.2 Support
	IEEE (specific IEEE standards depending on Ethernet adapter card(s) installed)
	Advanced Encryption Standard (AES)
	Triple Data Encryption Standard (3DES)
	SNMP
	SSL 2.0
	DMTF Systems Management Architecture for Server Hardware Command Line Protocol (SMASH CLP)
	Active Directory v1.0
	PCIe 3.0
	SR-IOV capability (requires network adapter and operating system support)

---

<b>Operating Systems and Virtualization</b>	<b><u>Microsoft Windows Server</u></b>
<b>Software Support for ProLiant Servers</b>	<b><u>Red Hat Enterprise Linux (RHEL)</u></b>
	<b><u>SUSE Linux Enterprise Server (SLES)</u></b>
	<b><u>Oracle Solaris</u></b>
	<b><u>VMware</u></b>
	<b><u>Citrix XenServer</u></b>

**NOTE:** For more information on the Hewlett Packard Enterprise Certified and Supported ProLiant Servers for OS and Virtualization Software and latest listing of software drivers available for your server, please visit our Support Matrix at: <http://www.hp.com/go/ossupport> and our driver download page <http://www.hp.com/support/BL660cGen8>.

---

**Enclosures** Enclosures Hewlett Packard Enterprise offers two different c-Class server blade enclosures to meet your individual needs:

- The HPE BladeSystem c7000 rack enclosure is 10U high and holds up to eight (8) ProLiant BL660c Gen8 servers plugged vertically.
- The HPE BladeSystem c3000 rack enclosure is 6U high and holds up to four (4) HPE ProLiant BL660c Gen8 servers plugged horizontally.
- Server blades, storage blades, interconnect modules, power supplies, fans, and redundant Onboard Administrator modules are all designed to fit into the c3000 and c7000 enclosures.

## Standard Features

**NOTE:** For additional enclosure information, please see

<http://h18004.www1.hp.com/products/blades/components/enclosures/c-class/index.html>.

### Graphics

Integrated Matrox G200 video standard

- 1280 x 1024 (32 bpp)
- 1920 x 1200 (16 bpp)

HPE iLO 4 On System Management Memory

- 16 MB Flash
- 256 MB DDR 3 with ECC (112 MB after ECC and video)

### Form Factor

HPE ProLiant BL660c Gen8 is a single-wide, full-height server blade that plugs into the HPE BladeSystem c3000 and c7000 enclosures.

### On System Management

HPE iLO Management Engine

HPE iLO Management Engine is a comprehensive set of embedded management features supporting the complete lifecycle of the server, from initial deployment, through ongoing management, to service alerting and remote support. HPE iLO Management Engine comes standard on all HPE ProLiant Gen8 servers. The HPE iLO Management Engine portfolio includes:

- **HPE iLO:** The HPE iLO (Integrated Lights-Out) management processor is the core foundation for the HPE iLO Management Engine
- **HPE Agentless Management:** Provides built in server health monitoring and alerting capability without OS agents, that starts working the moment a power cord and an Ethernet cable are connected.
- **HPE Active Health System:** Always on, continuous monitoring for increased stability and shorter downtimes; 100% configuration history; Health and service alerts and easy export and upload to Service and Support.
- **HPE Intelligent Provisioning:** Lets customers provision and configure a single server without any separate media. No more SmartStart CDs or firmware DVDs are needed.
  - To start Intelligent Provisioning:
    - Press the F10 key during the ProLiant Gen8 server boot process (also known as power on self-test or POST).
    - Please go to the Intelligent Provisioning website at <http://www.hp.com/go/intelligentprovisioning> for additional information and to view usage videos.
    - Use the Service Pack for ProLiant (SPP) at <http://www.hp.com/go/spp> to get firmware and software updates.
  - **HPE iLO Mobile App:** Enables the ability to access, deploy, and manage your server anytime from anywhere from select smartphones and mobile devices. For additional information please visit: <http://www.hp.com/go/ilo/mobileapp>

## Standard Features

**NOTE:** For more information, visit: <http://www.hp.com/go/ilo> or HPE iLO Management Engine technologies whitepaper

### HPE Insight management software

HPE Service Pack for ProLiant (SPP)

HPE Service Pack for ProLiant (SPP) and HPE Smart Update Manager (HPE SUM) provide a comprehensive approach to firmware and system software maintenance. Together they provide better operating stability and ensure maximum uptime. The SPP will be updated at a predictable cadence, typically coinciding with new HPE server hardware launches. By enabling firmware to be updated online and integrating firmware and system software updates in one operation, HPE SUM and the SPP offer faster updates of individual servers and dramatically faster updates of entire BladeSystem enclosures. Further improving system uptime and stability is the fact that Hewlett Packard Enterprise provides 12 months of support for each Service Pack for ProLiant release.

The user experience around HPE SUM and the SPP has been improved in several ways, starting with the web download. A single web page provides access to a single download containing both the latest version of HPE SUM and the latest SPP. Optional smaller subsets with only specific types of servers or specific operating systems are offered to save on download time. The HPE SUM application provides a straightforward, intuitive user interface that guides the user through the steps of discovery, analyses and update, providing comprehensive information on available updates, criticality and interdependencies. This information is also available in reports. By providing the option of multiple local or shared repositories which can be easily updated from hp.com, HPE SUM provides the tools to optimize stability and consistency throughout the company. While HPE SUM and the SPP recommend the combinations of firmware and system software that Hewlett Packard Enterprise has found to be the best practice, the application gives customers the flexibility to set their own specific baseline.

The Service Pack for ProLiant has been rigorously tested with specific attention for interaction between firmware, drivers and agents both within the server as well as in interaction with the BladeSystem enclosure components (Onboard Administrator and Virtual Connect). This testing ensures the highest quality as well as providing the input for HPE SUM to deploy updates taking into account all interdependencies, when determining the correct updates and order of update deployment.

**NOTE:** The Service Pack for ProLiant (which includes HPE SUM) can be downloaded from <http://www.hp.com/go/spp/download>. More information can be found: <http://www.hp.com/go/SmartUpdate>, <http://www.hp.com/go/spp> and <http://www.hp.com/go/hpsum>

### Security

- Power-on password
- Administrator's password
- Keyboard password (QuickLock)
- HPE iLO 4 On System Management Chipset with:
  - SSL encryption
  - Secure Shell version 2
  - Advanced Encryption Standard (AES) and Triple Data Encryption Standard (3DES) on

## Standard Features

- browser, CLP and XML scripting interface
  - AES and RC4 encryption of video
- External USB port enable/disable
- Network server mode
- Serial interface control
- TPM (Trusted Platform Module) 1.2 option
- Advanced Encryption Standard (AES)
- Intel® Advanced Encryption Standard-New Instructions (AES-NI)
- Intel TXT (require the TPM module option)

### Availability

### Memory

- Data Bus ECC protection provides automatic correction from a single data bit error and detection of double data error bits. Often called single error correction/double error detection (SEC/DED).
- Advanced ECC uses single device data correction (SDDC) to detect and correct single and all multi-bit error that occurs within a single DRAM chip. Both x4 and x8 SDDC are supported (x8 requires lockstep mode).
- Memory online spare mode (also known as rank spare mode) detects a rank that is degrading and switches operation to the spare rank. Hewlett Packard Enterprise offers the rank sparing rather than DIMM sparing as rank sparing uses less spare memory resulting in reduced overhead.
- Memory lockstep mode is used to correct a single x8 DRAM device failure on a DIMM. The DIMMs in each paired memory channel must have identical Hewlett Packard Enterprise part numbers.
- Memory demand and patrol scrubbing prevent accumulation of correctable errors and reducing the likelihood of unplanned downtime.
- Failed DIMM isolation improves the service time thus improving the overall system availability.
- Address parity protection available on RDIMMs and LRDIMMs detects address bit errors to improve service time and overall system availability.
- Memory thermal control is used to prevent DIMMs from overheating. Achieved by slowing down the memory access rate per the temperature monitored by DIMM sensor.
- Memory mirroring inter-socket stores a copy of memory with dynamic failover in case of failure. Once a DIMM in a mirrored set is detected as failed, the mirror failover uses its mirrored DIMM.

### Mezzanine options and I/O

- One or two FlexibleLOM connectors each supporting two (i.e. redundant) Ethernet ports routed to redundant interconnect modules.
- Multiple mezzanine I/O expansion slots that support a wide variety of mezzanine cards each supporting multiple data paths routed to redundant interconnect modules.
- Network Adapter Teaming (bonding) provides network fault tolerance, transmit load balancing, and switch-assisted load balancing.

### Storage

- Two (2) hot-plug SAS/SATA/SSD drive bays.
- Integrated HPE Smart Array P220i Controller with 512MB FBWC capability, RAID 0 and 1, and upgradeable firmware with recovery ROM capability.

**NOTE: The 512MB flash-backed write cache (FBWC) is included on pre-configured models and is optional on factory integrated models. The FBWC is not required for RAID capability. The purpose of the cache is it can increase hard drive write performance and provides data protection in case the server loses power.**

## Standard Features

- Up to eight optional HPE D2200sb and/or D22020sb Storage Blades for attachment of up to 12 drives per Storage Blade (up to 96 drives total) within the c-Class enclosure.
- Optional dual-port Fibre Channel mezzanine card(s) for redundant SAN connections.

### Processor/Chipset

- Processor internal sensors & thermal control protection against over-temperature conditions.
- Cache parity/ECC protects cache data from accidental data corruption.
- Machine Check Architecture (MCA) detects and captures hardware errors such as system bus, memory ECC, parity, and cache, and improves service time.
- Intel® QPI Protocol Protection allows detection of data errors using a checksum of 8-bits.
- Core Disable for FRB (fault resilient boot) allows a system to power-on despite a failing core-pair. It uses BIST (built-in self-test) results to detect a failure and disables the target core-pair upon subsequent boot.

### Server Blade Enclosure Infrastructure

- Pooled power for true N+N power redundancy through up to six (6) hot-plug, high-efficiency, common slot enclosure-based power supplies (configuration dependent).
- Up to ten (10) redundant enclosure-based hot-plug HPE Active Cool fans that scale to meet future demands and optimize airflow, reduce power draw, and improve acoustic performance.
- Dual grid power providing redundant rack enclosure power feeds to the server blade enclosure.
- HPE Dynamic Power Saver Mode the total enclosure power consumption is monitored in real time and automatically adjusted with changes in demand for improved efficiency and reliability.
- HPE Dynamic Power Capping safely limits power usage without impacting performance by capping peak usage instead of average power usage, removes risk to electrical infrastructure with a fast-acting, hardware-based capping algorithm, and reclaims more power by dynamically controlling power limits based on workload demand.
- Up to eight interconnect modules per server blade enclosure providing four simultaneous redundant fabrics for FlexFabric, Virtual Connect Ethernet, Fibre Channel, InfiniBand, Pass Thru Ethernet, etc.
- Enclosure crosslinks between adjacent enclosures to provide interconnect module-to-module connections or as Virtual Connect module stacking links.
- Optional enclosure redundant Onboard Administrator system management module.

---

## Warranty

This product is covered by a global limited warranty and supported by Hewlett Packard Enterprise Services and a worldwide network of Hewlett Packard Enterprise Authorized Channel Partners. Hardware diagnostic support and repair is available for three years from date of purchase. Support for software and initial setup is available for 90 days from date of purchase. Enhancements to warranty services are available through HPE Care Pack services or customized service agreements. Certain restrictions and exclusions apply. Hard drives have either a one year or three year warranty; refer to specific hard drive QuickSpecs for details.

**NOTE: Server warranty includes 3 year Parts, 3 year Labor, 3-year on-site support. Warranty repairs may be accomplished through the use of Customer Self Repair (CSR) parts. These parts fall into two categories: 1) Mandatory CSR parts are designed for easy replacement. A travel and labor charge will result when customers decline to replace a Mandatory CSR part; 2) Optional CSR parts are also designed for easy replacement but may involve added complexity. Customers may choose to have Hewlett Packard Enterprise replace Optional CSR parts at no charge. Additional information regarding worldwide limited warranty and technical support is available at <http://h17007.www1.hp.com/us/en/enterprise/servers/warranty/index.aspx#>.**

## Standard Features

## Optional Features

<b>Fibre Channel Support</b>	Up to three (3) optional Fibre Channel mezzanine HBAs are supported on the HPE ProLiant BL660c Gen8.
<b>Compatible SAN</b>	<p>HPE ProLiant BL660c Gen8 server blades are optimized for HPE MSA, EVA and XP. HPE ProLiant BL660c Gen8 server blades are compatible with select 3rd party SANs. Please see blade storage page for more details at <a href="http://h18004.www1.hp.com/products/blades/components/c-class-sans.html">http://h18004.www1.hp.com/products/blades/components/c-class-sans.html</a>.</p>
<b>HPE Virtual Connect</b>	<p>HPE Virtual Connect is an interconnect option for BladeSystem c-Class that simplifies server connectivity to data and storage networks, and reduces costs. Unique HPE Flex-10 technology makes maximum use of network bandwidths, provide dynamic tuning and enable extreme flexibility to meet individual server and infrastructure requirements by allocating up to 4 network connections per server port. Virtual Connect FlexFabric modules extend those capabilities to allocate one function per port to storage connections. HPE Virtual Connect Enterprise Manager (VCEM) provides server management software with a central console to administer network connections and workloads for thousands of servers. For more information on Virtual Connect Enterprise Manager, see <a href="http://www8.hp.com/h20195/v2/GetPDF.aspx/c04154443.pdf">http://www8.hp.com/h20195/v2/GetPDF.aspx/c04154443.pdf</a>. For more information on Virtual Connect Ethernet, Fibre Channel, Converged Network and management options, see <a href="http://www.hp.com/go/virtualconnect">http://www.hp.com/go/virtualconnect</a>.</p>
<b>HPE Insight management software</b>	<p>HPE Insight Control HPE Insight Control, a product option, delivers essential infrastructure management that can help save time and money by making it easy to deploy, migrate, monitor, remote control, and optimize your IT infrastructure through a single, simple management console. For more information, see <a href="http://www.hp.com/go/insightcontrol">http://www.hp.com/go/insightcontrol</a>.</p> <p>HPE Insight Control includes one year of 24 x 7 HPE Software Technical Support and Update Service ensuring rapid access to Hewlett Packard Enterprise support staff and proactive delivery of software updates. For more information about this service, see <a href="http://www.hp.com/services/insight">http://www.hp.com/services/insight</a>.</p> <p>HPE Matrix Operating Environment The HPE Matrix Operating Environment (Matrix OE) for ProLiant and Integrity servers is an integrated command center that helps you instantly adjust to dynamic business demands. This advanced infrastructure management software lets you reduce the cost of common data center tasks by up to 40 percent while keeping pace with your changing business.</p> <p>The HPE Matrix OE includes the automated provisioning, optimization, and recovery management capabilities for HPE CloudSystem Matrix, the ideal platform for private cloud and Infrastructure as a Service (IaaS). For more information, see <a href="http://www.hp.com/go/matrixoe">http://www.hp.com/go/matrixoe</a>.</p>
<b>HPE iLO Scale-Out</b>	<p>The HPE iLO Scale-Out license ideal for web/hosting/cloud service providers and High Performance Computing environments. This license is a specific subset of iLO Advanced functionality, provides fast remote access through Text Console via SSH, lower operational cost with Dynamic power capping, and faster time to resolution through</p>

## Optional Features

Email-based Alerting and proactive notifications. With this newly designed HPE iLO Scale-Out license Hewlett Packard Enterprise customers now have a server management package solely design and priced for their massive data environments. HPE iLO Scale-Out is available on all HPE ProLiant Gen8 BL and SL platforms. For more information, see: <http://www.hp.com/go/iLO/scale-out>

HPE iLO Advanced HPE Integrated Lights-Out Advanced License a product option, providing smart remote server management without compromise. iLO Advanced unlocks the full set of remote administration functionality for all HPE ProLiant servers by activating the full Virtual Keyboard Video and Mouse remote console, multi-user collaboration, console record and replay, GUI-based and scripted virtual media and virtual folders, and enhanced security and power management functionality. For more information, see: <http://www.hp.com/go/ioloadvance>

### HPE OneView

The HPE OneView architecture combines server, storage, and networking with control of datacenter environments into a single, integrated management platform. Architected to deliver lifecycle management for the complete Converged Infrastructure, it facilitates collaboration, removes friction, collapses cycle times, eliminates error-prone work, and accelerates time to value. HPE OneView v1.0 combines management of servers and virtual connect with open integration to automate and customize existing tools and processes. With OneView, you'll work smarter—with greater visibility and control—and fully capitalize on the benefits of a Converged Infrastructure.

For more information on HPE OneView management, see: <http://www.hp.com/go/oneview>

### High Performance Clusters

HPE Cluster Platforms HPE Cluster Platforms are specifically engineered, factory-integrated large-scale ProLiant clusters optimized for High Performance Computing, with a choice of servers, networks and software. Operating system options include specially priced offerings for Red Hat Enterprise Linux and SUSE Linux Enterprise Server, as well as Microsoft Windows HPEC Server. A Cluster Platform Configurator simplifies ordering. <http://www.hp.com/go/clusters>

HPE HPC Interconnects HPE HPC Interconnects High Performance Computing (HPC) interconnect technologies are available for this server as part of the HPE Cluster Platform portfolio. These high-speed InfiniBand and Gigabit interconnects are fully supported by Hewlett Packard Enterprise when integrated within an HPE cluster. Flexible, validated solutions can be defined with the help of configuration tools. <http://www.hp.com/techservers/clusters/ucp/index.html>

HPE Insight Cluster Management Utility HPE Insight Cluster Management Utility (CMU) is an Hewlett Packard Enterprise-licensed and Hewlett Packard Enterprise-supported suite of tools that are used for lifecycle management of hyperscale clusters of Linux ProLiant systems. CMU includes software for the centralized provisioning, management and monitoring of nodes. CMU makes the administration of clusters user friendly, efficient, and effective. <http://www.hp.com/go/cmu>

## QuickSpecs

---

**Optional Features**

**Storage Software** Whether you need to solve a specific data protection, archiving, or storage command and control challenge, or deliver on strategic consolidation, compliance, or continuity initiatives, look no further than HPE storage software. Our storage software helps you reduce costs, simplify storage infrastructure, protect vital assets and respond faster to business opportunities.

Storage software that gets the job done:

- **Data Protection and Recovery Software**  
Whether you're a large enterprise or a smaller business, HPE data protection and recovery software will cost-effectively protect you against disaster and ensure business continuity.
- **Data Archive and Migration Software**  
The Hewlett Packard Enterprise storage software enables you to comply with data retention and retrieval requirements, improve application performance, and reduce costs by efficiently migrating infrequently accessed or less valuable data to lower cost storage.
- **Storage Resource Management Software (SRM)**  
The Hewlett Packard Enterprise storage resource management software reduces operational costs and provides the command and control foundation you need to efficiently manage and visualize your physical and virtual environments.
- **Data Replication Software**  
Hewlett Packard Enterprise offers array-based and host-based replication software for use in disaster recovery, testing, application development and reporting.
- **Storage Device Management Software**  
Maximize your investment in HPE storage and networking with software that enables hardware-specific configuration, performance tuning and connectivity management.
- **HPE StoreVirtual VSA**  
With HPE StoreVirtual VSA you can use the power of virtualization to turn a set of heterogeneous and disconnected physical disk drives in your servers and storage devices into a single pool of logical storage capacity.

**NOTE: For more information available Storage Software including QuickSpecs, please see: <http://www.hp.com/go/storage/software>.**

---

**HPE Proactive Insight experience** Prevent problems with innovative, automated monitoring tools and proactive services. The HPE Proactive Insight experience consist of using Insight Online, Insight Remote Support, and Proactive Care Support Service as one integrated solution. The Proactive Insight experience provides you with expert advice and personalized, cloud-based automated IT support, helping to prevent unplanned down time and solve problems quickly. For more information, visit: <http://www.hp.com/go/proactiveinsightexperience>

---

**Factory Express Portfolio for Servers and Storage** HPE Factory Express offers configuration, customization, integration and deployment services for Hewlett Packard Enterprise servers and storage products. Customers can choose how their factory solutions are built, tested, integrated, shipped and deployed.

Factory Express offers service packages for simple configuration, racking, installation, complex configuration and design services as well as individual factory services, such as image loading, asset tagging, and custom packaging. Hewlett Packard Enterprise products supported through Factory Express include a wide array of servers and storage: HPE Integrity, HPE ProLiant, HPE ProLiant Server Blades, HPE BladeSystem, HPE 9000 servers as well as the MSAxxxx, VA7xxx, EVA, XP, rackable tape libraries and configurable network switches. For more information on Factory Express services on your specific server model please contact your sales representative or go to: <http://www8.hp.com/us/en/campaigns/factory-express/server-storage-networking.html>

**QuickSpecs**

---

**Optional Features**

---

**HPE Simple  
Configurator**

SCE is a guided self-service tool to help sales and non-technical people provide customers with initial configurations in 3 to 5 minutes. You may then send the configuration on for configuration help, or use in your existing ordering processes. If you require "custom" rack configuration or configuration for products not available in SCE, please contact the Hewlett Packard Enterprise Customer Business Center or an Authorized Partner for assistance. <https://h22174.www2.hp.com/SimplifiedConfig/Index>

---

## Service and Support

### Service and Support HPE Technology Services for Industry Standard Servers

HPE Technology Services delivers confidence, reduces risk and helps customers realize agility and stability. Connect to Hewlett Packard Enterprise to help prevent problems and solve issues faster. Our support technology lets you to tap into the knowledge of millions of devices and thousands of experts to stay informed and in control, anywhere, any time.

### Protect your business beyond warranty with HPE Care Pack Services

HPE Care Pack Services enable you to order the right service level, length of coverage and response time as you purchase your new server, giving you full entitlement for the term you select.

---

## Recommended HPE Care Pack Services for your HPE product

### Optimized Care

#### HPE Proactive Care Advanced - 24x7 coverage, three year Care Pack Service

Achieve a higher return on your product investment with the personal attention from a locally assigned Account Support Manager who delivers recommendations designed to improve availability and performance. Leverage your system's ability to connect to Hewlett Packard Enterprise for automated problem detection and rapid critical event management to increase stability and reduce unplanned downtime. This recommendation provides 24x7 coverage with four-hour response for hardware and two-hour callback for supported software. Collaborative call management comes with Proactive Care Advanced or you may choose full support from Hewlett Packard Enterprise where we own all cases through to resolution. Hewlett Packard Enterprise is a leading provider of support services for most operating systems used on HPE BladeSystem with long, successful partnerships with vendors such as Microsoft, Red Hat, VMware, SUSE and others. Purchasing software support from Hewlett Packard Enterprise simplifies troubleshooting and shortens time to resolution with one call for hardware or software questions.

<http://h20195.www2.hp.com/V2/GetDocument.aspx?docname=4AA5-3259ENW&cc=us&lc=en>

---

### Standard Care

#### HPE Proactive Care with 24x7 coverage, three year Care Pack Service

HPE Proactive Care helps prevent problems and stabilize IT by utilizing secure, real-time, predictive analytics and proactive consultations when your products are connected to Hewlett Packard Enterprise. This Care Pack Service combines three years' proactive reporting and advice with our 24x7 coverage and enhanced escalation management, four hour hardware response time and two hour call back for software questions on leading industry standard software running on your HPE ProLiant server.

<http://h20195.www2.hp.com/v2/GetPDF.aspx/4AA3-8855ENW.pdf>

---

### Related Services

#### HPE ProLiant Server Hardware Installation

Provides for the basic hardware installation of Hewlett Packard Enterprise branded servers, storage devices and networking options to assist you in bringing your new hardware into operation in a timely and professional manner.

<http://h20195.www2.hp.com/V2/GetPDF.aspx/5981-9356EN.pdf>

#### Factory Express for Servers and storage

HPE Factory Express offers configuration, customization, integration and deployment services for Hewlett Packard Enterprise servers and storage products. Customers can choose how their factory solutions are built,

---

## Service and Support

tested, integrated, shipped and deployed. For more information on Factory Express services for your specific server model please contact your sales representative or go to: <http://www.hp.com/go/factory-express>.

### Data Privacy Services

Protect your data through better media management. HPE Data privacy services help manage and protect sensitive data to reduce the risk of unauthorized access to private information and help meet compliance requirements. Our retention services allow you to keep drives and other devices upon failure, our removal services provide convenient data sanitization and our recovery services allow you to safely retire IT assets and capture any remaining value from the hardware. <http://www.hp.com/services/dataprivacy>  
Additional HPE Care Pack services can be found at: <http://www.hp.com/go/cpc>

---

### Get connected to Hewlett Packard Enterprise to improve your support experience

Connecting products to Hewlett Packard Enterprise will help prevent problems with 24x7 monitoring, prefailure alerts, automatic call logging, and parts dispatch, plus current data will be available for the proactive reports that are part of Proactive Care Services. With Connected products, you can have a dashboard to manage your IT anywhere, anytime, from any device.

---

**HPE Support Center** Personalized online support portal with access to information, tools and experts to support Hewlett Packard Enterprise business products. Submit support cases online, chat with Hewlett Packard Enterprise experts, access support resources or collaborate with peers. Learn more <http://www.hp.com/go/hpsc>  
The HPE Support Center Mobile App allows you to resolve issues yourself or quickly connect to an agent for live support. Now, you can get access to personalized IT support anywhere, anytime.

HPE Insight Remote Support and HPE Support Center are available at no additional cost with a Hewlett Packard Enterprise warranty, HPE Care Pack or Hewlett Packard Enterprise contractual support agreement.

**NOTE: HPE Support Center Mobile App is subject to local availability.**

---

**Parts and Materials** Hewlett Packard Enterprise will provide HPE-supported replacement parts and materials necessary to maintain the covered hardware product in operating condition, including parts and materials for available and recommended engineering improvements.

Parts and components that have reached their maximum supported lifetime and/or the maximum usage limitations as set forth in the manufacturer's operating manual, product QuickSpecs, or the technical product data sheet will not be provided, repaired, or replaced as part of these services.

The defective media retention service feature option applies only to Disk or eligible SSD/Flash Drives replaced by Hewlett Packard Enterprise due to malfunction.

---

### For more information

To learn more on HPE ProLiant servers and HPE BladeSystem servers, please contact your Hewlett Packard Enterprise sales representative or Hewlett Packard Enterprise Authorized ServiceOne Channel Partner. Or visit: <http://www.hp.com/services/bladesystem>

## QuickSpecs

## Pre-configured Models

**NOTE:** For the Standard Features shipped in the "Factory Integrated Models", please see the "Configuration Information - Factory Integrated Models" section.

**NOTE:** Pre-configured models ship with the configurations below. Options can be selected from the Core or Additional options section of this QuickSpecs.

**NOTE:** Hewlett Packard Enterprise does not allow factory integration of options into pre-configured models. Any additional options purchased will be shipped separately.

**NOTE:** If you desire a custom configuration please see "Configuration Information - Factory Integrated Models" section of this QuickSpecs.

**NOTE:** Not all Pre-configured Models are available in all regions. Check with your local country Hewlett Packard Enterprise offices for availability.

## E5-4600v2 series Processors

## Performance Models

<b>HP ProLiant BL660c Processor(s)</b>	Four (4) Intel® Xeon® E5-4650v2 (2.4GHz/10-core/25MB/95W)
<b>Gen8 E5-4650v2 4P Cache Memory</b>	25MB Level 3 cache
<b>128GB-R Server Memory</b> 727959-B21	128GB (8x 16GB) PC3L-14900R (DDR3-1866) Registered DIMMs at 1.5V <b>NOTE: Server supports a total of 32 DIMM slots.</b>
<b>Network Controller</b>	Two (2) HPE FlexFabric 10Gb 2-port 534FLB FlexibleLOMs
<b>Storage Controller</b>	HPE Smart Array P220i Controller with 512MB FBWC and RAID 0, 1
<b>Hard Drive</b>	None ship standard; includes 2 SFF hard drive blanks Supports up to two (2) HPE hot-plug SFF SAS/SATA/SDD drives
<b>Internal Storage</b>	SAS: 2.4TB; SATA: 2.0TB; SAS SSD: 1.6TB; SATA SSD: 1.6TB
<b>Optical Drive Bay</b>	None
<b>Expansion Slots</b>	3 standard - Slot 1 supports Type A mezzanine Cards. Slots 2 and 3 support Type A and Type B mezzanine cards.
<b>Management</b>	HPE iLO Management Engine (standard) Optional: HPE iLO Scale-Out or HPE Insight Control
<b>Form Factor</b>	Up to four (4) full-height server blades supported in the HPE BladeSystem c3000 Enclosure Up to eight (8) full-height server blades supported in HPE BladeSystem c7000 Enclosure
<b>Warranty</b>	Server warranty includes 3 year parts, 3 year labor, 3-year on-site support.

## Base Model

<b>HP ProLiant BL660c Processor(s)</b>	Four (4) Intel® Xeon® E5-4620v2 (2.6GHz/8-core/20MB/95W)
<b>Gen8 E5-4620v2 4P Cache Memory</b>	20MB Level 3 cache
<b>128GB-R Server Memory</b> 727958-B21	128GB (8x 16GB) PC3L-12800R (DDR3-1600) Registered DIMMs at 1.35V <b>NOTE: Server supports a total of 32 DIMM slots.</b>

## QuickSpecs

## Pre-configured Models

<b>Network Controller</b>	Two (2) HPE FlexFabric 10Gb 2-port 534FLB FlexibleLOMs
<b>Storage Controller</b>	HPE Smart Array P220i Controller with 512MB FBWC and RAID 0, 1
<b>Hard Drive</b>	None ship standard; includes 2 SFF hard drive blanks Supports up to two (2) HPE hot-plug SFF SAS/SATA/SDD drives
<b>Internal Storage</b>	SAS: 2.4TB; SATA: 2.0TB; SAS SSD: 1.6TB; SATA SSD: 1.6TB
<b>Optical Drive Bay</b>	None
<b>Expansion Slots</b>	3 standard - Slot 1 supports Type A mezzanine Cards. Slots 2 and 3 support Type A and Type B mezzanine cards.
<b>Management</b>	HPE iLO Management Engine (standard) Optional: HPE iLO Scale-Out or HPE Insight Control
<b>Form Factor</b>	Up to four (4) full-height server blades supported in the HPE BladeSystem c3000 Enclosure Up to eight (8) full-height server blades supported in HPE BladeSystem c7000 Enclosure
<b>Warranty</b>	Server warranty includes 3 year parts, 3 year labor, 3-year on-site support.

## Entry Model

<b>HP ProLiant BL660c Gen8 E5-4607v2 2P 64GB-R Server</b> 727957-B21	<p><b>Processor(s)</b> Two (2) Intel® Xeon® E5-4607v2 (2.6GHz/6-core/15MB/95W)</p> <p><b>Cache Memory</b> 15MB Level 3 cache</p> <p><b>Memory</b> 64GB (4x 16GB) PC3L-12800R (DDR3-1600) Registered DIMMs at 1.35V <b>NOTE: Server supports a total of 32 DIMM slots.</b></p> <p><b>Network Controller</b> Two (2) HPE FlexFabric 10Gb 2-port 534FLB FlexibleLOMs</p> <p><b>Storage Controller</b> HPE Smart Array P220i Controller with 512MB FBWC and RAID 0, 1</p> <p><b>Hard Drive</b> None ship standard; includes 2 SFF hard drive blanks Supports up to two (2) HPE hot-plug SFF SAS/SATA/SDD drives</p> <p><b>Internal Storage</b> SAS: 2.4TB; SATA: 2.0TB; SAS SSD: 1.6TB; SATA SSD: 1.6TB</p> <p><b>Optical Drive Bay</b> None</p> <p><b>Expansion Slots</b> 3 standard - Slot 1 supports Type A mezzanine Cards. Slots 2 and 3 support Type A and Type B mezzanine cards.</p> <p><b>Management</b> HPE iLO Management Engine (standard) Optional: HPE iLO Scale-Out or HPE Insight Control</p> <p><b>Form Factor</b> Up to four (4) full-height server blades supported in the HPE BladeSystem c3000 Enclosure Up to eight (8) full-height server blades supported in HPE BladeSystem c7000 Enclosure</p> <p><b>Warranty</b> Server warranty includes 3 year parts, 3 year labor, 3-year on-site support.</p>
---	--

## Configuration Information - Factory Integrated Models

**NOTE:** This section lists some of the steps required to configure a Factory Integrated Model or configure-to-order (CTO) server. To ensure only valid configurations are ordered, Hewlett Packard Enterprise recommends the use of an Hewlett Packard Enterprise approved configurator. Contact your local sales representative for information on CTO product offerings and requirements.

**NOTE:** Configure-to-order server blades must start with a CTO Blade Server

**NOTE:** FIO indicates that this option is only available as a factory installable option.

**NOTE:** All CTO (Configure to Order) systems will be populated with sufficient hard drive blanks based on the number of initial hard drives ordered with the server.

### Step 1: Base Server Blade Configuration (Select a configurable Blade)

<b>Models</b>	HP ProLiant BL660c Gen8 10Gb/20Gb FlexibleLOM Configure-to-order Blade Server	679118-B21
---------------	---	------------

**Each configurable model ships with:**

- Two (2) FlexibleLOM connectors providing a choice of supported FlexibleLOMs (see Step 2)
- One (1) embedded HPE Smart Array P220i Controller with RAID 0, 1
- Optional HPE Smart Array P220i Controller 512MB FBWC (listed in step 4)
- Two (2) HPE small form factor hot-plug SAS/SATA/SSD hard drive bays
- Three (3) PCIe Gen 3.0 I/O expansion slots (one x8 Type A, two x16 Type B)
- One (1) integrated USB connector and one (1) MicroSDHC connector
- One (1) TPM connector
- HPE iLO Management Engine (standard)

### Step 2: Choose Required Options (one of the following from each list unless otherwise noted)

**HPE Processors**      **NOTE:** The BL660c Gen8 supports two or four processors; one and three processor configurations are not supported.

**NOTE:** All processor kits contain two (2) processors.

**NOTE:** If four processors are desired, select one 2P xxxxxx-L21 processor kit here in Step 2 and one xxxxxx-B21 2P processor kit in Step 3.

**NOTE:** All processors within the server must be identical.

**NOTE:** The processor model as well as the memory configuration determines the maximum speed memory can operate. Please see the see the "Memory" section later in this document.

**NOTE:** Intel® Hyper Threading is supported on all processors except E5-4617 and E5-4627 v2.

**E5-4600v2 series Processors**

HP BL660c Gen8 Intel® Xeon® E5-4657Lv2 (2.4GHz/12-core/30MB/115W) FIO 2-processor Kit	727590-L21
HP BL660c Gen8 Intel® Xeon® E5-4650v2 (2.4GHz/10-core/25MB/95W) FIO 2-processor Kit	727576-L21

## Configuration Information - Factory Integrated Models

HP BL660c Gen8 Intel® Xeon® E5-4640v2 (2.2GHz/10-core/20MB/95W) FIO 2-processor Kit	727578-L21
HP BL660c Gen8 Intel® Xeon® E5-4627v2 (3.3GHz/8-core/16MB/130W) FIO 2-processor Kit	727588-L21
HP BL660c Gen8 Intel® Xeon® E5-4620v2 (2.6GHz/8-core/20MB/95W) FIO 2-processor Kit	727580-L21
HP BL660c Gen8 Intel® Xeon® E5-4610v2 (2.3GHz/8-core/16MB/95W) FIO 2-processor Kit	727582-L21
HP BL660c Gen8 Intel® Xeon® E5-4607v2 (2.6GHz/6-core/15MB/95W) FIO 2-processor Kit	727584-L21
HP BL660c Gen8 Intel® Xeon® E5-4603v2 (2.2GHz/4-core/10MB/95W) FIO 2-processor Kit	727586-L21

### HPE Memory

**NOTE:** HPE memory from previous generation servers are not qualified or warranted with this HPE ProLiant Server.

**NOTE:** HPE SmartMemory is required to realize the memory performance improvements and enhanced functionality listed in this document. For additional information, please see the HPE SmartMemory QuickSpecs at:

**[http://h18000.www1.hp.com/products/QuickSpecs/14225\\_na/14225\\_na.html](http://h18000.www1.hp.com/products/QuickSpecs/14225_na/14225_na.html)**

**NOTE:** LRDIMMs and RDIMMs are all distinct memory technologies and cannot be mixed within a server.

**NOTE:** A minimum of one DIMM is required per processor.

**NOTE:** Depending on the memory configuration and processor model, 1866MHz, 1600MHz and 1333MHz memory may operate at a lower speed. Please see the "Memory" section later in this document and the Online Memory Configuration Tool for details at **<http://www.hp.com/go/ddr3memory-configurator>**.

**NOTE:** For additional memory rules and guidelines, see the "Memory" section later in this document.

### HPE SmartMemory

#### Registered DIMMs (RDIMMs) – E5-4600 v2 series Processors

HP 4GB (1x4GB) Single Rank x4 PC3L-12800R (DDR3-1600) Registered CAS-11 Low Voltage Memory Kit	713981-B21
HP 4GB (1x4GB) Single Rank x4 PC3-14900R (DDR3-1866) Registered CAS-13 Memory Kit	708637-B21
HP 8GB (1x8GB) Single Rank x4 PC3L-12800R (DDR3-1600) Registered CAS-11 Low Voltage Memory Kit	731765-B21
HP 8GB (1x8GB) Single Rank x4 PC3-14900R (DDR3-1866) Registered CAS-13 Memory Kit	731761-B21
HP 16GB (1x16GB) Dual Rank x4 PC3L-12800R (DDR3-1600) Registered CAS-11 Low Voltage Memory Kit	713985-B21
HP 16GB (1x16GB) Dual Rank x4 PC3-14900R (DDR3-1866) Registered CAS-13 Memory Kit	708641-B21

#### Registered DIMMs (RDIMMs) - E5-4600 series Processors

HP 4GB (1x4GB) Single Rank x4 PC3L-10600R (DDR3-1333) Registered CAS-9 Low Voltage Memory Kit	647893-B21
HP 4GB (1x4GB) Single Rank x4 PC3-12800R (DDR3-1600) Registered CAS-11 Memory Kit	647895-B21
HP 8GB (1x8GB) Dual Rank x4 PC3L-10600R (DDR3-1333) Registered CAS-9 Low Voltage Memory Kit	647897-B21

## Configuration Information - Factory Integrated Models

HP 8GB (1x8GB) Single Rank x4 PC3-12800R (DDR3-1600) Registered CAS-11 Memory Kit	647899-B21
HP 8GB (1x8GB) Dual Rank x4 PC3-12800R (DDR3-1600) Registered CAS-11 Memory Kit	690802-B21
HP 16GB (1x16GB) Dual Rank x4 PC3L-10600R (DDR3-1333) Registered CAS-9 Low Voltage Memory Kit	647901-B21
HP 16GB (1x16GB) Dual Rank x4 PC3-12800R (DDR3-1600) Registered CAS-11 Memory Kit	672631-B21
HP 24GB (1x24GB) Three Rank x4 PC3L-10600R (DDR3-1333) Registered CAS-9 Low Voltage Memory Kit	761501-B21

**NOTE:** When HPE 24GB (1x24GB) Three Rank x4 PC3L-10600R (DDR3-1333) Registered CAS-9 Low Voltage FIO Memory Kits are used, all DIMM slots for the associated processor sockets must be fully populated with these 24GB DIMMs. If two processor sockets are populated, all 16 DIMM slots must be populated with 24GB DIMMs. If all four processor sockets are populated, all 32 DIMM slots must be populated with 24GB DIMMs.

### Load Reduced DIMMs (LRDIMMs) - E5-4600 v2 series Processors

HP 32GB (1x32GB) Quad Rank x4 PC3-14900L (DDR3-1866) Load Reduced CAS-13 Memory Kit	708643-B21
---	------------

### Load Reduced DIMMs (LRDIMMs) - E5-4600 series Processors

HP 32GB (1x32GB) Quad Rank x4 PC3L-10600L (DDR3-1333) Load Reduced CAS-9 Low Voltage Memory Kit	647903-B21
---	------------

## HPE Networking

### FlexibleLOM Adapters

**NOTE:** The ProLiant BL660c Gen8 supports one or two FlexibleLOMs.

**NOTE:** For a single FlexibleLOM Factory Integrated Model configuration, select the option here in the "Step 2" HPE Networking section.

**NOTE:** For a two FlexibleLOM Factory Integrated Model configuration, the second FlexibleLOM is a different part number. When two FlexibleLOMs are needed you must select the first FlexibleLOM here in the "Step 2" HPE Networking section and the second FlexibleLOM from "Step 4" HPE Networking section.

**NOTE:** All FlexibleLOMs are dual port: one port is routed to interconnect module bay 1 and the other to bay 2.

### 10/20 GbE Ethernet FlexibleLOMs

HP FlexFabric 20Gb 2-port 630FLB FIO Adapter	700066-B21
--	------------

**NOTE:** For a two FlexibleLOM configuration, the HPE FlexFabric 20Gb 2-port 630FLB FIO Adapter may be configured with the HPE FlexFabric 20Gb 2-port 630FLB Adapter (700066-B21) or the HPE 10Gb 2-port 560FLB Adapter (655639-B21).

HP Flex-10 10Gb 2-port 530FLB FIO Adapter	684211-B21
---	------------

**NOTE:** For a two FlexibleLOM configuration, the HPE Flex-10 10Gb 2-port 530FLB FIO Adapter may be configured with the HPE Flex-10 10Gb 2-port 530FLB Adapter (656590-B21) or the HPE 10Gb 2-port 560FLB Adapter (655639-B21).

HP FlexFabric 10Gb 2-port 534FLB FIO Adapter	700742-B21
--	------------

**NOTE:** For a two FlexibleLOM configuration, the HPE FlexFabric 10Gb 2-port 534FLB FIO Adapter may be configured with the HPE FlexFabric 10Gb 2-port 534FLB Adapter

## Configuration Information - Factory Integrated Models

(700741-B21) or the HPE 10Gb 2-port 560FLB Adapter (655639-B21).

HP FlexFabric 10Gb 2-port 554FLB FIO Adapter

684212-B21

**NOTE:** For a two FlexibleLOM configuration, the HPE FlexFabric 10Gb 2-port 554FLB FIO Adapter may be configured with the HPE FlexFabric 10Gb 2-port 554FLB Adapter (647586-B21) or the HPE 10Gb 2-port 560FLB Adapter (655639-B21).

HP Ethernet 10Gb 2-port 560FLB FIO Adapter

684214-B21

**NOTE:** For a two FlexibleLOM configuration, the HPE 10Gb 2-port 560FLB FIO Adapter may be configured with the HPE 10Gb 2-port 560FLB Adapter (655639-B21).

### HPE Storage Controllers

#### Optional Upgrades

HP 512MB FBWC for BL660c FIO Kit

694033-B21

**NOTE:** Please see the Smart Array Advanced Pack 2.0 QuickSpecs for Technical Specifications and additional information at

[http://h18000.www1.hp.com/products/QuickSpecs/13200\\_na/13200\\_na.html](http://h18000.www1.hp.com/products/QuickSpecs/13200_na/13200_na.html).  
(Smart Array Advanced Pack)

## Step 3: Choose Additional Factory Integration Options

### HPE Insight Software

HP Insight Control including 1yr 24x7 Support ProLiant ML/DL/BL-bundle Single Server FIO License

C6N36A

### Converged Infrastructure Management Software

#### HPE OneView with iLO Advanced - Server hardware required on same purchase order

HP OneView for Blade Server incl 3yr 24x7 Supp FIO Bundle Physical 1 Svr Lic

F6Q89A

### HPE Storage Blades

HP D2220sb Configure-to-order Storage Blade

QW918A

**NOTE:** The ProLiant BL660c Gen8 supports up to two expansion blades (Ultrium Tape Blade(s), HPE D2200sb/D2220sb Storage Blade(s), and/or PCI Expansion Blade(s) that directly connect to the server via the enclosure midplane

**NOTE:** Please see the QuickSpecs for technical specifications and additional information at <http://h18006.www1.hp.com/storage/bladessystem/index.html>

## Step 4: Choose Additional Options for Factory Integration

**NOTE:** For additional options, including server blade enclosures interconnect, mezzanine options and power subsystem options; please see the Core Options and Additional sections below; or the following:

- HPE BladeSystem c3000 Enclosure QuickSpecs:

[http://h18000.www1.hp.com/products/QuickSpecs/12790\\_na/12790\\_na.html](http://h18000.www1.hp.com/products/QuickSpecs/12790_na/12790_na.html)

**NOTE:** The c3000 HPE c-Class enclosures have full backwards and forwards compatibility, existing server blades are supported in the new enclosures and any future server blades will be supported in the existing enclosures.

**NOTE:** The ProLiant BL660c Gen8 requires the c3000 Enclosure to be configured with 6 fans.

- HPE BladeSystem c7000 Enclosure QuickSpecs:

[http://h18000.www1.hp.com/products/QuickSpecs/12810\\_na/12810\\_na.html](http://h18000.www1.hp.com/products/QuickSpecs/12810_na/12810_na.html)

## Configuration Information - Factory Integrated Models

**NOTE:** The c7000 HPE c-Class enclosures have full backwards and forwards compatibility, existing server blades are supported in the new enclosures and any future server blades will be supported in the existing enclosures.

**NOTE:** The ProLiant BL660c Gen8 requires the c7000 Enclosure to be configured with 10 fans.

- HPE BladeSystem c-Class Interconnect and Mezzanine Components:  
<http://h18004.www1.hp.com/products/blades/components/c-class-interconnects.html> and  
<http://h18004.www1.hp.com/products/blades/components/c-class-adapters.html>

## Core Options

### HPE Networking

#### 10/20Gb Ethernet Mezzanines

**NOTE:** All 10Gb Ethernet adapters are Type A mezzanine cards that can be installed in any of the BL660c Gen8 mezzanine slots.

**NOTE:** Each 10 Gigabit Ethernet adapter requires a minimum of 2GB of server memory.

**NOTE:** A 10 Gigabit Ethernet adapter supports linking at 1Gbps or 10Gbps when connected to an interconnect module with 10Gb Ethernet downlinks.

**NOTE:** A 10 Gigabit Ethernet adapter supports linking at only 1Gbps when connected to an interconnect module with 1Gb Ethernet downlinks.

**NOTE:** The 10 Gigabit Ethernet adapters on each server blade connect to a 10Gb interconnect in bays 3-6 (HPE BladeSystem c7000 Enclosure) or bays 2-4 (HPE BladeSystem c3000 Enclosure).

HP FlexFabric 20Gb 2-port 650M Adapter 700767-B21

HP FlexFabric 20Gb 2-port 630M Adapter 700076-B21

HP Ethernet 10Gb 2-port 560M Adapter 665246-B21

**NOTE:** Please see QuickSpecs for technical specifications and additional information at: [http://h18004.www1.hp.com/products/QuickSpecs/14478\\_na/14478\\_na.html](http://h18004.www1.hp.com/products/QuickSpecs/14478_na/14478_na.html).

HP FlexFabric 10Gb 2-port 554M Adapter 647590-B21

**NOTE:** Please see QuickSpecs for technical specifications and additional information at: [http://h18000.www1.hp.com/products/QuickSpecs/14221\\_na/14221\\_na.html](http://h18000.www1.hp.com/products/QuickSpecs/14221_na/14221_na.html).

HP Flex-10 10Gb 2-port 552M Adapter 674764-B21

**NOTE:** Please see QuickSpecs for technical specifications and additional information at: [http://h18000.www1.hp.com/products/QuickSpecs/14218\\_na/14218\\_na.html](http://h18000.www1.hp.com/products/QuickSpecs/14218_na/14218_na.html).

HP FlexFabric 10Gb 2-port 534M Adapter 700748-B21

**NOTE:** Please see QuickSpecs for technical specifications and additional information at: [http://h18000.www1.hp.com/products/QuickSpecs/14617\\_na/14617\\_na.html](http://h18000.www1.hp.com/products/QuickSpecs/14617_na/14617_na.html)

HP Flex-10 10Gb 2-port 530M Adapter 631884-B21

**NOTE:** Please see QuickSpecs for technical specifications and additional information at: [http://h18000.www1.hp.com/products/QuickSpecs/14217\\_na/14217\\_na.html](http://h18000.www1.hp.com/products/QuickSpecs/14217_na/14217_na.html).

10/20Gb Ethernet FlexibleLOM Adapters

**NOTE:** All 1Gb Ethernet adapters are Type A mezzanine cards that can be installed in any of the BL660c Gen8 mezzanine slots.

HP Ethernet 1Gb 4-port 366M Adapter 615729-B21

#### 10Gb Ethernet FlexibleLOM Adapters

**NOTE:** The server supports one or two FlexibleLOMs.

**NOTE:** For Pre-configured Model configurations, two FlexibleLOMs are already included; no additional FlexibleLOMs are added.

**NOTE:** For a Factory Integrated Model configuration with one FlexibleLOM, it is added in the HPE Networking section of "Step 2" in the Factory Integrated Models section earlier in this document; it is not added here.

**NOTE:** For a Factory Integrated Model configuration with two FlexibleLOMs, the second FlexibleLOM is a different part number. You must select the first FlexibleLOM earlier in this document in the "Step 2" HPE Networking section and select the second

## Core Options

FlexibleLOM here in the "Step 4" HPE Networking section.

**NOTE:** The FlexibleLOMs here can also be used change the FlexibleLOM(s) that original came with the server.

**NOTE:** All FlexibleLOMs are dual port: one port is routed to interconnect module bay 1 and the other to bay 2.

HP FlexFabric 20Gb 2-port 630FLB Adapter 700065-B21

HP Flex-10 10Gb 2-port 530FLB Adapter 656590-B21

**NOTE:** Please see QuickSpecs for technical specifications and additional information at: [http://h18000.www1.hp.com/products/QuickSpecs/14216\\_na/14216\\_na.html](http://h18000.www1.hp.com/products/QuickSpecs/14216_na/14216_na.html).

HP FlexFabric 10Gb 2-port 534FLB Adapter 700741-B21

**NOTE:** Please see QuickSpecs for technical specifications and additional information at: [http://h18000.www1.hp.com/products/QuickSpecs/14617\\_na/14617\\_na.html](http://h18000.www1.hp.com/products/QuickSpecs/14617_na/14617_na.html)

HP FlexFabric 10Gb 2-port 554FLB Adapter 647586-B21

**NOTE:** Please see QuickSpecs for technical specifications and additional information at: [http://h18000.www1.hp.com/products/QuickSpecs/14219\\_na/14219\\_na.html](http://h18000.www1.hp.com/products/QuickSpecs/14219_na/14219_na.html).

HP Ethernet 10Gb 2-port 560FLB Adapter 655639-B21

**NOTE:** Please see QuickSpecs for technical specifications and additional information at: [http://h18000.www1.hp.com/products/QuickSpecs/14331\\_na/14331\\_na.html](http://h18000.www1.hp.com/products/QuickSpecs/14331_na/14331_na.html).

### 1Gb Ethernet FlexibleLOM Adapters

**NOTE:** The server supports one or two FlexibleLOMs. Two are already included in the Pre-configured Models and the first one is added per Step 2 for Factory Integrated Models. The 1GbE FlexibleLOM option below is used to change the original 10Gb FlexibleLOM(s) that originally came with the server.

**NOTE:** For a two FlexibleLOM configuration, the two FlexibleLOMs must be identical.

HP Ethernet 1Gb 2-port 361FLB Adapter 652500-B21

**NOTE:** Please see QuickSpecs for technical specifications and additional information at: [http://h18000.www1.hp.com/products/QuickSpecs/14333\\_na/14333\\_na.html](http://h18000.www1.hp.com/products/QuickSpecs/14333_na/14333_na.html)

### HPE Infiniband Mezzanine Adapters

**NOTE:** When an InfiniBand adapter is installed in mezzanine slot 1, only one port is active (regardless of operating mode). When installed in any other mezzanine slot, both ports are active.

HP Infiniband QDR/Ethernet 10Gb 2-port 544M Adapter 644160-B21

**NOTE:** The QDR InfiniBand adapter may be installed in any mezzanine slot of the server.

HP Infiniband FDR/Ethernet 10Gb/40Gb 2-port 544M Adapter 644161-B22

**NOTE:** The FDR InfiniBand adapter must be installed in mezzanine slot 1 for FDR mode and may be installed in any mezzanine slot if operated in any other mode.

HP InfiniBand FDR 2-port 545M Adapter 702213-B21

**NOTE:** InfiniBand QDR and FDR speeds are only supported on the HPE BladeSystem c7000 Enclosure. For additional information, please see the HPE BladeSystem c7000 Enclosure and InfiniBand QuickSpecs at:

[http://h18004.www1.hp.com/products/QuickSpecs/12586\\_na/12586\\_na.html](http://h18004.www1.hp.com/products/QuickSpecs/12586_na/12586_na.html)

[http://h18000.www1.hp.com/products/QuickSpecs/13078\\_na/13078\\_na.html](http://h18000.www1.hp.com/products/QuickSpecs/13078_na/13078_na.html)

## QuickSpecs

## Core Options

<b>HPE Fibre Channel</b>	<p>HP LPe1605 16Gb Fibre Channel HBA for BladeSystem c-Class 718203-B21</p> <p><b>NOTE:</b> Please see QuickSpecs for technical specifications and additional information at: <a href="http://h18000.www1.hp.com/products/QuickSpecs/14742_na/14742_na.html">http://h18000.www1.hp.com/products/QuickSpecs/14742_na/14742_na.html</a></p> <p>HP LPe1205A 8Gb Fibre Channel Host Bus Adapter for BladeSystem c-Class 659818-B21</p> <p><b>NOTE:</b> This is a Type A mezzanine card that can be installed in any of the BL660c Gen8 mezzanine slots.</p> <p><b>NOTE:</b> Please see QuickSpecs for technical specifications and additional information at <a href="http://h18000.www1.hp.com/products/QuickSpecs/14338_na/14338_na.html">http://h18000.www1.hp.com/products/QuickSpecs/14338_na/14338_na.html</a></p> <p>HP QMH2572 8Gb Fibre Channel Host Bus Adapter for BladeSystem c-Class 651281-B21</p> <p><b>NOTE:</b> This is a Type A mezzanine card that can be installed in any of the BL660c Gen8 mezzanine slots.</p> <p><b>NOTE:</b> Please see QuickSpecs for technical specifications and additional information at <a href="http://h18000.www1.hp.com/products/QuickSpecs/14230_na/14230_na.html">http://h18000.www1.hp.com/products/QuickSpecs/14230_na/14230_na.html</a></p> <p>HP QMH2672 16Gb Fibre Channel Host Bus Adapter 710608-B21</p> <p><b>NOTE:</b> This is a Type A mezzanine card that can be installed in any of the BL660c Gen8 mezzanine slots.</p> <p><b>NOTE:</b> Please see QuickSpecs for technical specifications and additional information at: <a href="http://h18000.www1.hp.com/products/QuickSpecs/14622_na/14622_na.html">http://h18000.www1.hp.com/products/QuickSpecs/14622_na/14622_na.html</a></p>
--------------------------	--

**HPE Processors**

**NOTE:** The BL660c Gen8 supports two or four processors; one and three processor configurations are not supported.

**NOTE:** All processor kits contain two (2) processors.

**NOTE:** All processors within the server must be identical.

**NOTE:** The processor model as well as the memory configuration determines the maximum speed memory can operate. Please see the see the "Memory" section later in this document.

**NOTE:** Intel® Hyper Threading is supported on all processors except E5-4617 and E5-4627 v2.

**E5-4600 v2 series Processors**

HP BL660c Gen8 Intel® Xeon® E5-4657Lv2 (2.4GHz/12-core/30MB/115W) 2-processor Kit	727590-B21
HP BL660c Gen8 Intel® Xeon® E5-4650v2 (2.4GHz/10-core/25MB/95W) 2-processor Kit	727576-B21
HP BL660c Gen8 Intel® Xeon® E5-4640v2 (2.2GHz/10-core/20MB/95W) 2-processor Kit	727578-B21
HP BL660c Gen8 Intel® Xeon® E5-4627v2 (3.3GHz/8-core/16MB/130W) 2-processor Kit	727588-B21
HP BL660c Gen8 Intel® Xeon® E5-4620v2 (2.6GHz/8-core/20MB/95W) 2-processor Kit	727580-B21
HP BL660c Gen8 Intel® Xeon® E5-4610v2 (2.3GHz/8-core/16MB/95W) 2-processor Kit	727582-B21
HP BL660c Gen8 Intel® Xeon® E5-4607v2 (2.6GHz/6-core/15MB/95W) 2-processor Kit	727584-B21
HP BL660c Gen8 Intel® Xeon® E5-4603v2 (2.2GHz/4-core/10MB/95W) 2-processor Kit	727586-B21

**E5-4600 series Processors**

HP BL660c Gen8 Intel® Xeon® E5-4650 (2.7GHz/8-core/20MB/130W) 2-processor Kit	679098-B21
HP BL660c Gen8 Intel® Xeon® E5-4650L (2.6GHz/8-core/20MB/115W) 2-processor Kit	679110-B21
HP BL660c Gen8 Intel® Xeon® E5-4640 (2.4GHz/8-core/20MB/95W) 2-processor Kit	679100-B21
HP BL660c Gen8 Intel® Xeon® E5-4620 (2.2GHz/8-core/16MB/95W) 2-processor Kit	679102-B21

## QuickSpecs

## Core Options

HP BL660c Gen8 Intel® Xeon® E5-4617 (2.9GHz/6-core/15MB/130W) 2-processor Kit	679112-B21
HP BL660c Gen8 Intel® Xeon® E5-4610 (2.4GHz/6-core/15MB/95W) 2-processor Kit	679104-B21
HP BL660c Gen8 Intel® Xeon® E5-4607 (2.2GHz/6-core/12MB/95W) 2-processor Kit	679106-B21
HP BL660c Gen8 Intel® Xeon® E5-4603 (2.0GHz/4-core/10MB/95W) 2-processor Kit	679108-B21

## HPE Memory

**NOTE:** HPE memory from previous generation servers are not qualified or warranted with this HPE ProLiant Server. HPE SmartMemory is required to realize the memory performance improvements and enhanced functionality listed in this document. For additional information, please see the HPE SmartMemory QuickSpecs at:

**[http://h18000.www1.hp.com/products/QuickSpecs/14225\\_na/14225\\_na.html](http://h18000.www1.hp.com/products/QuickSpecs/14225_na/14225_na.html)**

**NOTE:** LRDIMMs and RDIMMs are all distinct memory technologies and cannot be mixed within a server.

**NOTE:** A minimum of one DIMM is required per processor.

**NOTE:** For additional memory rules and guidelines, see the "Memory" section later in this document.

**HPE SmartMemory****Registered DIMMs (RDIMMs) – E5-4600 v2 series Processors**

HP 4GB (1x4GB) Single Rank x4 PC3L-12800R (DDR3-1600) Registered CAS-11 Low Voltage Memory Kit	713981-B21
HP 4GB (1x4GB) Single Rank x4 PC3-14900R (DDR3-1866) Registered CAS-13 Memory Kit	708637-B21
HP 8GB (1x8GB) Single Rank x4 PC3L-12800R (DDR3-1600) Registered CAS-11 Low Voltage Memory Kit	731765-B21
HP 8GB (1x8GB) Single Rank x4 PC3-14900R (DDR3-1866) Registered CAS-13 Memory Kit	731761-B21
HP 16GB (1x16GB) Dual Rank x4 PC3L-12800R (DDR3-1600) Registered CAS-11 Low Voltage Memory Kit	713985-B21
HP 16GB (1x16GB) Dual Rank x4 PC3-14900R (DDR3-1866) Registered CAS-13 Memory Kit	708641-B21

**Registered DIMMs (RDIMMs) - E5-4600 series Processors**

HP 4GB (1x4GB) Single Rank x4 PC3L-10600R (DDR3-1333) Registered CAS-9 Low Voltage Memory Kit	647893-B21
HP 4GB (1x4GB) Single Rank x4 PC3-12800R (DDR3-1600) Registered CAS-11 Memory Kit	647895-B21
HP 8GB (1x8GB) Dual Rank x4 PC3L-10600R (DDR3-1333) Registered CAS-9 Low Voltage Memory Kit	647897-B21
HP 8GB (1x8GB) Single Rank x4 PC3-12800R (DDR3-1600) Registered CAS-11 Memory Kit	647899-B21
HP 8GB (1x8GB) Dual Rank x4 PC3-12800R (DDR3-1600) Registered CAS-11 Memory Kit	690802-B21
HP 16GB (1x16GB) Dual Rank x4 PC3L-10600R (DDR3-1333) Registered CAS-9 Low Voltage Memory Kit	647901-B21
HP 16GB (1x16GB) Dual Rank x4 PC3-12800R (DDR3-1600) Registered CAS-11 Memory Kit	672631-B21
HP 24GB (1x24GB) Three Rank x4 PC3L-10600R (DDR3-1333) Registered CAS-9 Low Voltage Memory Kit	761501-B21

**NOTE:** When HPE 24GB (1x24GB) Three Rank x4 PC3L-10600R (DDR3-1333) Registered CAS-9 Low Voltage FIO Memory Kits are used, all DIMM slots for the

## Core Options

associated processor sockets must be fully populated with these 24GB DIMMs. If two processor sockets are populated, all 16 DIMM slots must be populated with 24GB DIMMs. If all four processor sockets are populated, all 32 DIMM slots must be populated with 24GB DIMMs.

### Load Reduced DIMMs (LRDIMMs) - E5-4600 v2 series Processors

HP 32GB (1x32GB) Quad Rank x4 PC3-14900L (DDR3-1866) Load Reduced CAS-13 Memory Kit 708643-B21

### Load Reduced DIMMs (LRDIMMs) - E5-4600 series Processors

HP 32GB (1x32GB) Quad Rank x4 PC3L-10600L (DDR3-1333) Load Reduced CAS-9 Low Voltage Memory Kit 647903-B21

## HPE Hard Drives

**NOTE:** The ProLiant BL660c Gen8 server includes the new HPE hot-plug small form factor (SFF) SmartDrive carrier for enhanced management and reduced maintenance errors. HPE drives from previous generation servers are not compatible with the BL660c Gen8 drive bays.

**NOTE:** HPE hard drives have either a one year or three year warranty; refer to the specific hard drive QuickSpecs for details.

**NOTE:** The hard drive options are not required when configuring a drive-less model.

**NOTE:** The mixing of standard SAS drives with SAS SSD drives is supported within the server, but limits the RAID configuration to two separate RAID 0 volumes. Mixing of other drives types is not supported.

### HPE SAS Hot Plug SmartDrive Carriers for Gen8 Servers only

#### 6G SAS Hot Plug with SmartDrive SFF (2.5-inch) Enterprise Drives

HP 1.2TB 6G SAS 10K rpm SFF (2.5-inch) SC Dual Port Enterprise 3yr Warranty Hard Drive	718162-B21
HP 900GB 6G SAS 10K rpm SFF (2.5-inch) SC Enterprise 3yr Warranty Hard Drive	652589-B21
HP 600GB 6G SAS 10K rpm SFF (2.5-inch) SC Enterprise 3yr Warranty Hard Drive	652583-B21
HP 450GB 6G SAS 10K rpm SFF (2.5-inch) SC Enterprise 3yr Warranty Hard Drive	652572-B21
HP 300GB 6G SAS 10K rpm SFF (2.5-inch) SC Enterprise 3yr Warranty Hard Drive	652564-B21
HP 300GB 6G SAS 15K rpm SFF (2.5-inch) SC Enterprise 3yr Warranty Hard Drive	652611-B21
HP 146GB 6G SAS 15K rpm SFF (2.5-inch) SC Enterprise 3yr Warranty Hard Drive	652605-B21
HP 600GB 12G SAS 15K rpm SFF (2.5-inch) SC Enterprise 3yr Warranty Hard Drive	759212-B21
HP 450GB 12G SAS 15K rpm SFF (2.5-inch) SC Enterprise 3yr Warranty Hard Drive	759210-B21
HP 300GB 12G SAS 15K rpm SFF (2.5-inch) SC Enterprise 3yr Warranty Hard Drive	759208-B21

#### 6G SAS Hot Plug SmartDrive SFF (2.5-inch) Midline Drives

HP 1TB 6G SAS 7.2K rpm SFF (2.5-inch) SC Midline 1yr Warranty Hard Drive	652749-B21
HP 500GB 6G SAS 7.2K rpm SFF (2.5-inch) SC Midline 1yr Warranty Hard Drive	652745-B21

**NOTE:** Please see QuickSpecs for technical specifications and additional information at [http://h18000.www1.hp.com/products/QuickSpecs/12244\\_na/12244\\_na.html](http://h18000.www1.hp.com/products/QuickSpecs/12244_na/12244_na.html).

#### 12G SAS (2.5-inch) 512e SC HDD

## Core Options

HP 600GB 12G SAS 15K rpm SFF (2.5-inch) SC 512e Enterprise 3yr Warranty Hard Drive	748387-B21
HP 1TB 12G SAS 7.2K rpm SFF (2.5-inch) SC 512e 1yr Warranty Hard Drive	765464-B21
HP 1.8TB 12G SAS 10K rpm SFF (2.5-inch) SC Enterprise 512e 3yr Warranty Hard Drive	791034-B21
HP 2TB 12G SAS 7.2K rpm SFF (2.5-inch) SC 512e 1yr Warranty Hard Drive	765466-B21

### **6G SATA Hot Plug with SmartDrive SFF (2.5-inch) Midline (MDL) Drives**

HP 1TB 6G SATA 7.2K rpm SFF (2.5-inch) SC Midline 1yr Warranty Hard Drive	655710-B21
HP 500GB 6G SATA 7.2K rpm SFF (2.5-inch) SC Midline 1yr Warranty Hard Drive	655708-B21

**NOTE:** Please see the QuickSpecs for technical specifications and additional information at

**[http://h18000.www1.hp.com/products/QuickSpecs/13021\\_na/13021\\_na.html](http://h18000.www1.hp.com/products/QuickSpecs/13021_na/13021_na.html)**

### **6G SATA (2.5-inch) 512e SC HDD**

HP 1TB 6G SATA 7.2K rpm SFF (2.5-inch) SC 512e 1yr Warranty Hard Drive	765453-B21
HP 2TB 6G SATA 7.2K rpm SFF (2.5-inch) SC 512e 1yr Warranty Hard Drive	765455-B21

### **6G SATA 2.5in WI-PLP SC SSD**

HP 1.2TB 6G SATA Write Intensive-2 SFF 2.5-in SC 3yr Wty Solid State Drive	804677-B21
HP 800GB 6G SATA Write Intensive-2 SFF 2.5-in SC 3yr Wty Solid State Drive	804671-B21
HP 400GB 6G SATA Write Intensive-2 SFF 2.5-in SC 3yr Wty Solid State Drive	804665-B21
HP 200GB 6G SATA Write Intensive-2 SFF 2.5-in SC 3yr Wty Solid State Drive	804639-B21

### **6G SATA 2.5in MU-PLP SC SSD**

HP 1.6TB 6G SATA Mixed Use-2 SFF 2.5-in SC 3yr Wty Solid State Drive	804631-B21
HP 800GB 6G SATA Mixed Use-2 SFF 2.5-in SC 3yr Wty Solid State Drive	804625-B21
HP 480GB 6G SATA Mixed Use-2 SFF 2.5-in SC 3yr Wty Solid State Drive	832414-B21
HP 200GB 6G SATA Mixed Use-2 SFF 2.5-in SC 3yr Wty Solid State Drive	804613-B21

### **6G SATA (2.5in) RI-PLP SC SSD**

HP 1.6TB 6G SATA Read Intensive-2 SFF 2.5-in SC 3yr Wty Solid State Drive	804605-B21
HP 800GB 6G SATA Read Intensive-2 SFF 2.5-in SC 3yr Wty Solid State Drive	804599-B21
HP 480GB 6G SATA Read Intensive-2 SFF 2.5-in SC 3yr Wty Solid State Drive	804593-B21
HP 240GB 6G SATA Read Intensive-2 SFF 2.5-in SC 3yr Wty Solid State Drive	804587-B21
HP 120GB 6G SATA Read Intensive-2 SFF 2.5-in SC 3yr Wty Solid State Drive	804581-B21
HP 80GB 6G SATA Read Intensive-2 SFF 2.5-in SC 3yr Wty Solid State Drive	804575-B21

### **6G SATA SFF (2.5in) RI-1 SC SSD**

HPE 120GB 6G SATA RI-1 SFF SC SSD	838404-B21
HPE 240GB 6G SATA RI-1 SFF SC SSD	838406-B21
HPE 480GB 6G SATA RI-1 SFF SC SSD	838408-B21
HPE 960GB 6G SATA RI-1 SFF SC SSD	838410-B21
HPE 1.92TB 6G SATA RI-1 SFF SC SSD	838412-B21

## Core Options

### 6G SATA 2.5in SFF RI-3 SC SSD

HP 3.84TB 6G SATA RI-3 SFF SC SSD	816929-B21
HP 1.92TB 6G SATA RI-3 SFF SC SSD	816919-B21
HP 960GB 6G SATA RI-3 SFF SC SSD	816909-B21
HP 480GB 6G SATA RI-3 SFF SC SSD	816899-B21
HP 240GB 6G SATA RI-3 SFF SC SSD	816889-B21
HP 120GB 6G SATA RI-3 SFF SC SSD	816879-B21

### 6G SATA 2.5in SFF MU-3 SC SSD

HP 1.92TB 6G SATA MU-3 SFF SC SSD	817011-B21
HP 960GB 6G SATA MU-3 SFF SC SSD	816995-B21
HP 480GB 6G SATA MU-3 SFF SC SSD	816985-B21
HP 240GB 6G SATA MU-3 SFF SC SSD	816975-B21
HP 120GB 6Gb SATA 2.5 MU-PLP SC S2 SSD	816965-B21

### 12G SAS Hot Plug SFF (2.5-inch) SC ENT HDD

HP 1.2TB 12G SAS 10K rpm SFF (2.5-inch) SC Enterprise 3yr Warranty Hard Drive	781518-B21
HP 900GB 12G SAS 10K rpm SFF (2.5-inch) SC Enterprise 3yr Warranty Hard Drive	785069-B21
HP 600GB 12G SAS 10K rpm SFF (2.5-inch) SC Enterprise 3yr Warranty Hard Drive	781516-B21
HP 300GB 12G SAS 10K rpm SFF (2.5-inch) SC Enterprise 3yr Warranty Hard Drive	785067-B21

### 12G SAS SFF (2.5in) RI-3 SC SSD

HPE 3.84TB 12G SAS Read Intensive-3 SFF 2.5-in SC 3yr Wty Solid State Drive	816576-B21
HPE 1.92TB 12G SAS Read Intensive-3 SFF 2.5-in SC 3yr Wty Solid State Drive	816572-B21
HPE 960GB 12G SAS Read Intensive-3 SFF 2.5-in SC 3yr Wty Solid State Drive	816568-B21
HPE 480GB 12G SAS Read Intensive-3 SFF 2.5-in SC 3yr Wty Solid State Drive	816562-B21

### 12G SAS SFF (2.5in) MU-3 SC SSD

HPE 3.2TB 12G SAS Mixed Use-3 SFF 2.5-in SC 3yr Wty Solid State Drive	822567-B21
HPE 1.6TB 12G SAS Mixed Use-3 SFF 2.5-in SC 3yr Wty Solid State Drive	822563-B21
HPE 800GB 12G SAS Mixed Use-3 SFF 2.5-in SC 3yr Wty Solid State Drive	822559-B21
HPE 400GB 12G SAS Mixed Use-3 SFF 2.5-in SC 3yr Wty Solid State Drive	822555-B21

### 12G SAS Mainstream Endurance Hot Plug SFF (2.5-inch) Enterprise Mainstream H2 Solid State Drives

HP 200GB 12G SAS Mainstream Endurance SFF 2.5-in ENT Mainstream SC 3yr Wty H2 Solid State Drive	779164-B21
HP 400GB 12G SAS Mainstream Endurance SFF 2.5-in ENT Mainstream SC 3yr Wty H2 Solid State Drive	779168-B21
HP 800GB 12G SAS Mainstream Endurance SFF 2.5-in ENT Mainstream SC 3yr Wty H2 Solid State Drive	779172-B21

## Core Options

HP 1.6TB 12G SAS Mainstream Endurance SFF 2.5-in ENT Mainstream SC 3yr Wty H2 Solid State Drive 779176-B21

### **12G SAS Value Endurance SFF (2.5-inch) SC Enterprise Value Solid State Drives**

HP 1.6TB 6G SATA Value Endurance SFF 2.5-in SC Enterprise Value 3yr Wty Solid State Drive 757339-B21

HP 1.6TB 12G SAS Value Endurance SFF 2.5-in SC Enterprise Value 3yr Wty Solid State Drive 762263-B21

HP 800GB 12G SAS Value Endurance SFF 2.5-in SC Enterprise Value 3yr Wty Solid State Drive 762261-B21

### **6G SATA Read Intensive (2.5-inch) SC G2 Solid State Drive**

HP 480GB 6G SATA Read Intensive SFF 2.5-in SC 3yr Wty Solid State Drive 789145-B21

### **6G SATA Value Endurance Hot Plug SFF (2.5-inch) Enterprise Boot Solid State Drives**

HP 120GB 6G SATA Value Endurance SFF 2.5-in SC Enterprise Boot 3yr Wty Solid State Drive 717965-B21

**NOTE: This drive supports Gen8 servers only.**

HP 80GB 6G SATA Value Endurance SFF 2.5-in SC Enterprise Boot 3yr Wty Solid State Drive 734360-B21

### **6G SATA Value Endurance Hot Plug SFF (2.5-inch) Enterprise Value Solid State Drives**

HP 800GB 6G SATA Value Endurance SFF 2.5-in SC Enterprise Value 3yr Wty Solid State Drive 717973-B21

**NOTE: This drive supports Gen8 servers only.**

HP 480GB 6G SATA Value Endurance SFF 2.5-in SC Enterprise Value 3yr Wty Solid State Drive 717971-B21

**NOTE: This drive supports Gen8 servers only.**

HP 240GB 6G SATA Value Endurance SFF 2.5-in SC Enterprise Value 3yr Wty Solid State Drive 717969-B21

**NOTE: This drive supports Gen8 servers only.**

**NOTE: Please see the QuickSpecs for technical specifications and information at: [http://h18000.www1.hp.com/products/QuickSpecs/14038\\_na/14038\\_na.html](http://h18000.www1.hp.com/products/QuickSpecs/14038_na/14038_na.html).**

### **6G SATA Value Endurance Hot Plug SFF (2.5-inch) Enterprise Value M1 Solid State Drives**

HP 120GB 6G SATA Value Endurance SFF 2.5-in SC Enterprise Value 3yr Wty M1 Solid State Drive 764923-B21

HP 240GB 6G SATA Value Endurance SFF 2.5-in SC Enterprise Value 3yr Wty M1 Solid State Drive 764925-B21

HP 480GB 6G SATA Value Endurance SFF 2.5-in SC Enterprise Value 3yr Wty M1 Solid State Drive 764927-B21

## Core Options

HP 800GB 6G SATA Value Endurance SFF 2.5-in SC Enterprise Value 3yr Wty M1 Solid State Drive 764929-B21

### **6G SATA VE Hot Plug SFF(2.5-inch) SC EV G1 Solid State Drives**

HP 480GB 6G SATA Value Endurance SFF 2.5-in SC Enterprise Value 3yr Wty G1 Solid State Drive 756657-B21

HP 240GB 6G SATA Value Endurance SFF 2.5-in SC Enterprise Value 3yr Wty G1 Solid State Drive 756636-B21

HP 120GB 6G SATA Value Endurance SFF 2.5-in SC Enterprise Value 3yr Wty G1 Solid State Drive 756621-B21

### **6G SATA Value Endurance Hot Plug SFF (2.5-inch) Enterprise Value Boot Solid State Drives**

HP 600GB 6G SATA Value Endurance SFF 2.5-in SC Enterprise Value 3yr Wty Solid State Drive 739898-B21

HP 300GB 6G SATA Value Endurance SFF 2.5-in SC Enterprise Value 3yr Wty Solid State Drive 739888-B21

### **6G SATA ME Hot Plug SFF (2.5-inch) Enterprise Mainstream Solid State Drives**

HP 800GB 6G SATA Mainstream Endurance SFF 2.5-in SC Enterprise Mainstream 3yr Wty Solid State Drive 691868-B21

HP 400GB 6G SATA Mainstream Endurance SFF 2.5-in SC Enterprise Mainstream 3yr Wty Solid State Drive 691866-B21

HP 100GB 6G SATA Mainstream Endurance SFF 2.5-in SC Enterprise Mainstream 3yr Wty Solid State Drive 691862-B21

### **12G SAS Write Intensive SFF (2.5-inch) SC 3yr Wty H2 Solid State Drive**

HP 200GB 12G SAS Write Intensive SFF 2.5-in SC 3yr Wty Solid State Drive 802578-B21

HP 400GB 12G SAS Write Intensive SFF 2.5-in SC 3yr Wty Solid State Drive 802582-B21

HP 800GB 12G SAS Write Intensive SFF 2.5-in SC 3yr Wty Solid State Drive 802586-B21

HP 1.92TB 12G SAS Read Intensive SFF 2.5-in SC 3yr Wty Solid State Drive 802891-B21

## Additional Options

### HPE Insight Software

#### HPE Insight Control

HP Insight Control including 1yr 24x7 Technical Support and Updates Single Server License C6N27A

HP Insight Control Server Provisioning Media Kit BD883A

HP Insight Management Media Kit C6N31A

**NOTE:** HPE Insight Management Media Kit contains DVDs without licenses. Contains HPE Systems Insight Manager, HPE Insight Control, HPE Matrix Operating Environment, and Virtual Connect Enterprise Manager software. Uses an integrated installer to perform quick and accurate software installation and updates.

**NOTE:** HPE Insight Control 7.2 introduces Insight Control server provisioning, a new capability ideal for multi-server OS and firmware provisioning to ProLiant and BladeSystem servers. Insight Control server provisioning is included and licensed as part of HPE Insight Control. A media kit, "HPE Insight Control server provisioning USB media kit" (# BD883A), including a USB, is available for customers who require a physical copy of the media loaded with Insight Control server provisioning software. Please note that this media kit is separate and in addition to the "HPE Insight Management DVD media kit" (#C6N31A).

**NOTE:** Electronic and Flexible-Quantity licenses can be used to purchase multiple licenses with a single activation key.

**NOTE:** Customer will receive a license entitlement certificate. The license entitlement certificate must be redeemed online or via fax in order to obtain the license activation key(s). Includes one year of 24 x 7 HPE Software Technical Support and Update Service.

**NOTE:** Licenses ship without media. The HPE Insight Management Media Kit can be ordered separately, or can be downloaded at:

**<http://www.hp.com/go/insightupdates>.**

**NOTE:** For additional license options please see the Insight Control QuickSpecs at:

**[http://h18000.www1.hp.com/products/QuickSpecs/12631\\_na/12631\\_na.html](http://h18000.www1.hp.com/products/QuickSpecs/12631_na/12631_na.html)**

**NOTE:** For additional license kits please see the Insight Control QuickSpecs at

**[http://h18004.www1.hp.com/products/QuickSpecs/12631\\_na/12631\\_na.html](http://h18004.www1.hp.com/products/QuickSpecs/12631_na/12631_na.html).**

### Converged Infrastructure Management Software

#### HPE OneView

##### HPE OneView with iLO Advanced

HP OneView incl 3yr 24x7 Supp Phys 1 Svr Lic E5Y34A

HP OneView incl 3yr 24x7 Supp Flex Qty E-LTU E5Y35AAE

HP OneView Media Kit Phys No Lic E5Y37A

HP OneView w/o iLO including 3yr 24x7 Support 1 Server LTU P8B24A

HP OneView w/o iLO including 3yr 24x7 Support Flex Quantity E-LTU P8B26AAE

HP OneView w/o iLO including 3yr 24x7 Support FIO 1 Server LTU P8B31A

**NOTE:** For additional license kits please see the QuickSpecs at

**[http://h18004.www1.hp.com/products/QuickSpecs/14621\\_na/14621\\_na.html](http://h18004.www1.hp.com/products/QuickSpecs/14621_na/14621_na.html).**

QuickSpecs

**Additional Options**

**Cloud Management Software Helion Software**

**HPE Helion OpenStack**

HPE Helion OpenStack 5yr 9x5 Support RTU	P9A13A
HPE Helion OpenStack 5yr 9x5 Support E-RTU	P9A13AAE
HPE Helion OpenStack 5yr 24x7 Support RTU	P9A14A
HPE Helion OpenStack 5yr 24x7 Support E-RTU	P9A14AAE

**HPE Helion Platform**

HPE Helion Platform 5yr 9x5 Support RTU	P9A15A
HPE Helion Platform 5yr 9x5 Support E-RTU	P9A15AAE
HPE Helion Platform 5yr 24x7 Support RTU	P9A16A
HPE Helion Platform 5yr 24x7 Support E-RTU	P9A16AAE

**HPE Helion Dev Plat**

HPE Helion Development Platform 5yr 9x5 Support RTU	P9A17A
HPE Helion Development Platform 5yr 9x5 Support E-RTU	P9A17AAE
HPE Helion Development Platform 5yr 24x7 Support RTU	P9A18A
HPE Helion Development Platform 5yr 24x7 Support E-RTU	P9A18AAE

**NOTE:** For additional information on HPE Helion Portfolio please go to:  
<http://www8.hp.com/us/en/cloud/helion-portfolio.html#!&pd1=2&pd3=2&pd5=2>

**Volume Software Options Vertica for Hadoop**

HPE Vertica SQL Hadoop 1Nd 1y 24x7 E-LTU	P9J18AAE
--	----------

**HPE iLO Advanced License HPE Integrated Lights-Out (iLO) Advanced for ProLiant BladeSystem Remote Management**

HP iLO Advanced for BladeSystem including 3yr 24x7 Technical Support and Updates E-LTU	E6U63ABE
HP iLO Advanced Blade 1 Server License with 3yr 24x7 Tech Support and Updates	BD502A
HP iLO Advanced for BladeSystem including 1yr 24x7 Support Single Server License	512488-B21
HP iLO Advanced for BladeSystem including 1yr 24x7 Support Eight Server License	512489-B21

**HPE Integrated Lights-Out (iLO)**

**HPE iLO Scale Out**

HP Integrated Lights-Out Scale-Out 3yr 24x7 Tech Support and Updates Flex Quantity License	BD776A
HP Integrated Lights-Out Scale-Out 1yr 24x7 Tech Support and Updates Flex Quantity License	BD778A
HP Integrated Lights-Out Scale-Out including 3yr 24x7 Tech Support and Updates Flex Qty E-LTU	BD776AAE
HP Integrated Lights-Out Scale-Out including 1yr 24x7 Tech Support and Updates Flex	BD778AAE

## QuickSpecs

## Additional Options

Qty E-LTU

HP Integrated Lights-Out Scale-Out including 3yr 24x7 Tech Support and Updates Tracking License

BD777A

HP Integrated Lights-Out Scale-Out including 1yr 24x7 Tech Support and Updates Tracking License

BD779A

**NOTE:** Customer will receive a license entitlement certificate, which must be redeemed online or via fax in order to obtain the license activation key(s). Includes one or three years of 24 x 7 HPE Software Technical Support Service.

**NOTE:** For additional license kits, including electronic delivery options, please see the iLO QuickSpecs at <http://www.hp.com/go/iLO>

## High Performance Clusters

## HPE Cluster Management Utility

HP Insight Cluster Management Utility 1yr 24x7 Flexible License

QL803B

HP Insight Cluster Management Utility 3yr 24x7 Flexible License

BD476A

**NOTE:** These part numbers can be used to purchase one certificate for multiple licenses and support with a single activation key. Each license is for one node (server). Customer will receive a printed end user license agreement and license entitlement certificate via physical shipment. The license entitlement certificate must be redeemed online in order to obtain a license key. Customer also will receive a support agreement.

HP Insight Cluster Management Utility Media

BD477A

**NOTE:** For additional license kits please see the QuickSpecs at

[http://h18004.www1.hp.com/products/QuickSpecs/12612\\_na/12612\\_na.html](http://h18004.www1.hp.com/products/QuickSpecs/12612_na/12612_na.html).

## HPE I/O Accelerator Options

**NOTE:** The HPE I/O Accelerator Options are Type B mezzanine cards that can be installed in BL660c Gen8 mezzanine slots 2 and 3.

HP 1.2TB Read Intensive Mezzanine PCIe Workload Accelerator for BladeSystem c-Class

794603-B21

HP 1.6TB Read Intensive Mezzanine PCIe Workload Accelerator for BladeSystem c-Class

794605-B21

## HPE Security

HP Trusted Platform Module Option

488069-B21

**NOTE:** The TPM (Trusted Platform Module) is a microcontroller chip that can securely store artifacts used to authenticate the server platform. These artifacts can include passwords, certificates and encryption keys. Windows® BitLocker™ Drive Encryption (BitLocker) is a data protection feature available in Windows Server® 2008. BitLocker leverages the enhanced security capabilities of a Trusted Platform Module (TPM) version 1.2. The TPM works with BitLocker to help protect user data and to ensure that a server running Windows Server 2008 has not been tampered with while the system was offline.

**NOTE:** For more information about TPM, including a white paper, go to

<http://h20195.www2.hp.com/v2/getpdf.aspx/4AA5-4782ENW.pdf?ver=3.0>.

**NOTE:** ProLiant OS pre-installed units will come with the partition required for TPM deployment.

**NOTE:** The TPM key is unique to every TPM deployed server and must be retained. Misplacing or losing the key could result in data loss.

## Additional Options

---

### HPE Storage Controller

#### HPE Smart Array P721m Controller

**NOTE:** The HPE Smart Array P721m Controller is a Type B mezzanine card that can be installed in BL660c Gen8 mezzanine slots 2 and 3.

**NOTE:** The BL660 has three installation locations for the "capacitor pack" that comes with the FBWC on Smart Array controllers. The first install location is for the embedded Smart Array P220i Controller. The second install location is for an optional Smart Array controller Type A or B mezzanine card with FBWC installed in mezzanine slot 3. The third install location is for an optional Smart Array controller mezzanine card with FBWC installed in either mezzanine slot 1 (Type A only) or slot 2 (Type A or B).

HP Smart Array P721m/2GB FBWC 6Gb 4-ports Ext Mezzanine SAS Controller

650072-B21

HP Smart Array P721m/512 FBWC 6Gb 4-ports Ext Mezzanine SAS Controller

655636-B21

**NOTE:** For additional information, please see the HPE BladeSystem c7000 Enclosure and InfiniBand QuickSpecs at:

[http://h18000.www1.hp.com/products/QuickSpecs/14626\\_na/14626\\_na.html](http://h18000.www1.hp.com/products/QuickSpecs/14626_na/14626_na.html)

(Smart Array P731m Controller)

[http://h18000.www1.hp.com/products/QuickSpecs/14404\\_na/14404\\_na.html](http://h18000.www1.hp.com/products/QuickSpecs/14404_na/14404_na.html)

(Smart Array P721M Controller)

### HPE InfiniBand Mezzanines

**NOTE:** When an InfiniBand adapter is installed in mezzanine slot 1, only one port is active (regardless of operating mode). When installed in any other mezzanine slot, both ports are active.

**NOTE:** InfiniBand QDR and FDR speeds are only supported on the HPE BladeSystem c7000 Enclosure. For additional information, please see the HPE BladeSystem c7000 Enclosure and InfiniBand QuickSpecs at:

[http://h18004.www1.hp.com/products/QuickSpecs/12586\\_na/12586\\_na.html](http://h18004.www1.hp.com/products/QuickSpecs/12586_na/12586_na.html)

[http://h18000.www1.hp.com/products/QuickSpecs/13078\\_na/13078\\_na.html](http://h18000.www1.hp.com/products/QuickSpecs/13078_na/13078_na.html)

HP InfiniBand FDR 2-port 545M Adapter

702213-B21

HP Infiniband QDR/Ethernet 10Gb 2-port 544M Adapter

644160-B21

**NOTE:** The QDR InfiniBand adapter may be installed in any mezzanine slot of the server.

HP Infiniband FDR/Ethernet 10Gb/40Gb 2-port 544M Adapter

644161-B22

**NOTE:** The FDR InfiniBand adapter must be installed in mezzanine slot 1 for FDR mode and may be installed in any mezzanine slot if operated in any other mode.

**NOTE:** InfiniBand QDR and FDR speeds are only supported on the HPE BladeSystem c7000 Enclosure. For additional information, please see the HPE BladeSystem c7000 Enclosure and InfiniBand QuickSpecs at:

[http://h18004.www1.hp.com/products/QuickSpecs/12586\\_na/12586\\_na.html](http://h18004.www1.hp.com/products/QuickSpecs/12586_na/12586_na.html)

[http://h18000.www1.hp.com/products/QuickSpecs/13078\\_na/13078\\_na.html](http://h18000.www1.hp.com/products/QuickSpecs/13078_na/13078_na.html)

### HPE Ultrium Tape Blades

**NOTE:** The ProLiant BL660c Gen8 supports up to two expansion blades (Ultrium Tape Blade(s), HPE D2200sb/D2220sb Storage Blade(s), and/or PCI Expansion Blade(s) ) that directly connect to the server via the enclosure midplane.

**NOTE:** For the above Ultrium tape drives, please see the QuickSpecs for technical

## QuickSpecs

## Additional Options

specifications and additional information at:

[http://h18000.www1.hp.com/products/QuickSpecs/12729\\_na/12729\\_na.html](http://h18000.www1.hp.com/products/QuickSpecs/12729_na/12729_na.html)

HP StoreEver LTO-5 Ultrium SB3000c Tape Blade

BS580B

**NOTE:** LTO-5 Ultrium tape technology.

**HPE Storage Blades** **NOTE:** The ProLiant BL660c Gen8 supports up to two expansion blades (Ultrium Tape Blade(s), HPE D2200sb/D2220sb Storage Blade(s), and/or PCI Expansion Blade(s) that directly connect to the server via the enclosure midplane

**NOTE:** Please see the QuickSpecs for technical specifications and additional information at: <http://h18006.www1.hp.com/storage/bladestystem/index.html>

HP D2220sb Build-to-order Storage Blade

QW917A

**NOTE:** For additional information, please see the QuickSpecs for technical specifications and additional information at:

[http://h18000.www1.hp.com/products/QuickSpecs/14507\\_na/14507\\_na.html](http://h18000.www1.hp.com/products/QuickSpecs/14507_na/14507_na.html)

**HPE Expansion  
Blade**

HP BLc PCI Expansion Blade

448018-B21

**NOTE:** The PCI Expansion Blade provides PCI card slots for an adjacent c-Class Server Blade.

**NOTE:** The ProLiant BL660c Gen8 supports up to two expansion blades (Ultrium Tape Blade(s), HPE D2200sb/D2220sb Storage Blade(s), and/or PCI Expansion Blade(s) that directly connect to the server via the enclosure midplane.

**NOTE:** The PCI Expansion Blade ships with one pre-installed PCI-X connect board. Also includes one PCIe connect board which requires installation.

**NOTE:** Please see the QuickSpecs for technical specifications and additional information at

[http://h18000.www1.hp.com/products/QuickSpecs/12753\\_na/12753\\_na.html](http://h18000.www1.hp.com/products/QuickSpecs/12753_na/12753_na.html)

**HPE Flash Media  
Kits for USB  
Drives**

**HPE Enterprise Mainstream Flash Media Kits for Memory Cards**

HP 8GB USB Enterprise Mainstream Flash Media Drive Key Kit

737953-B21

HP 8GB microSD Enterprise Mainstream Flash Media Kit

726116-B21

HP 32GB microSD Enterprise Mainstream Flash Media Kit

700139-B21

**HPE Care Pack  
Services**

**Proactive Care** - Collaborative Support plus Proactive services delivered by the on shore/near shore Advanced Solution Center (ASC) and backed by the global delivery organization, end-to-end case ownership from a Technical Solution Specialists and Technical Account Manager who remotely delivers firmware/software revision management, proactive scans and incident trend reports. Recommended for customers running a virtualized infrastructure and/or customers who desire an enhanced call support experience.

HPE 3 year Proactive Care 24x7 ProLiant BL6xxx Service

U3B32E

HPE 3 year Proactive Care 24x7 with DMR ProLiant BL6xxx Service

U3B35E

HPE 3 year Proactive Care Call to Repair ProLiant BL6xxx Service

U3B38E

HPE 3 year Proactive Care Call to Repair 24x7 with DMR ProLiant BL6xxx Service

U3B41E

## Additional Options

**Proactive Care Personalized Support Environmental Option** - to add an onsite Account Support Manager (ASM) to Proactive Care. ASM is an assigned resource who delivers support planning and brings technical expertise and best practices advice for the customer's environment.

**Installation Services** - reduce the time required to get your system up and running and help minimize disruptions to your business.

HPE Install c-Class Server Blade Service

UE493E

HPE Hardware Installation during Non Standard Hours c-Class Server Blade Service

UG869E

Additional HPE Care Pack services can be found at: <http://www.hp.com/go/cpc>

QuickSpecs

Memory

For detailed memory configuration rules and guidelines, please use the Online DDR3 Memory Configuration Tool:

<http://www.hp.com/go/ddr3memory-configurator>

**Memory Subsystem Architecture**

Each Intel® Xeon® E5-4600 and E5-4600v2 family processor socket contains four memory channels that support two DIMMs each for a total of eight (8) DIMM per installed processor or a grand total of thirty-two (32) DIMMs for the server. Up to 32GB capacity DIMMs are supported for 1.0TB of memory (32 DIMM slots x 32GB per DIMM).

**Memory Population Rules and Guidelines:**

- A minimum of one DIMM is required per processor.
- Install DIMMs only if the corresponding processor is installed.
- DIMM slots attached to each processor socket are only available if a processor is installed in that socket.
- DIMM sizes can be mixed in channel. To maximize performance, it is recommended to balance the total memory capacity between all installed processors and to load the channels similarly whenever possible.
- RDIMMs operating at either 1.35V or 1.5V may be mixed in any order, but the system will power them at the higher voltage.
- LRDIMMs and RDIMMs are distinct memory technologies and cannot be mixed within a server.
- DIMMs of different speeds may be mixed in any order; the server will select a common optimal speed.
- The maximum memory speed is a function of the memory type, memory configuration, and processor model.
- The maximum memory capacity is a function of the memory type and number of installed processors.
- HPE memory from previous generation servers is not compatible with the BL660c Gen8 Server Blade.
- When HPE 24GB (1x24GB) Three Rank x4 PC3L-10600R (DDR3-1333) Registered CAS-9 Low Voltage FIO Memory Kits are used, all DIMM slots for the associated processor sockets on the BL660c Gen8 must be fully populated with these 24GB DIMMs. If two processor sockets are populated, all 16 DIMM slots for those sockets must be populated with 24GB DIMMs. If four processor sockets are populated, all 32 DIMM slots must be populated with 24GB DIMMs.
- To realize the performance memory capabilities listed in this document, HPE SmartMemory is required. For additional information, please see the HPE SmartMemory QuickSpecs at: [http://h18000.www1.hp.com/products/QuickSpecs/14225\\_na/14225\\_na.html](http://h18000.www1.hp.com/products/QuickSpecs/14225_na/14225_na.html).
- For memory population rules and additional memory guidelines, please see the BL660c Gen8 user guide at <http://www.hp.com/support>.

<b>BL660c Gen8 Supported Memory Bandwidth</b>																
DIMM Type	Registered DIMMS (RDIMMs)													Load Reduced (LRDIMMs)		
DIMM Rank	Single Rank (1R)						Dual Rank (2R)						Three Rank (3R)	Quad Rank (4R)		
DIMM Capacity	4GB	4GB	4GB	4GB	8GB	8GB	8GB	8GB	8GB	16GB	16GB	16GB	16GB	24GB	32GB	32GB
DIMM Native Speed (MHz)	1333	1600	1600	1866	1600	1600	1866	1333	1600	1333	1600	1600	1866	1333	1333	1866
Voltage*	LV	Std	LV	Std	Std	LV	Std	LV	Std	LV	Std	LV	Std	LV	LV	Std

\* LV= low voltage at 1.35V; Std = standard voltage at 1.5V.

QuickSpecs

Memory

Slots That Can Be Populated	32	32	32	32	32	32	32	32	32	32	32	32	32	32	32	32
Maximum Capacity (GB)	128	128	128	128	256	256	256	256	256	512	512	512	512	768	1024	1024

**Populated DIMM Speed (MHz)**

1 DIMM Per Channel	1333	1600	1600	1866	1600	1600	1866	1333	1600	1333	1600	1600	1866	N/A	1333***	1866
2 DIMM Per Channel	1333**	1600	1600	1866	1600	1600	1866	1333**	1600	1333**	1600	1600	1866	1333#	1333***	1866

\*\* Using HPE SmartMemory, 1333MHz DIMMs operate at 1.35V for 2 DIMMs per channel (2DPC). Third party 1333MHz DIMM memory may only support 1.5V at 2DPC.

\*\*\* LRDIMM enables 3 DIMMs per channel. HPE SmartMemory will support up to 3DPC@DDR3-1066 at 1.35V. Third party memory may only support 3DPC @DDR3-1066 at 1.5V.

# Only supported on BL460c and BL660c

**NOTE:** Memory speed is a function of the processor QPI bus speed; see the table below “Memory Speed by Processor Model”.

**Memory Speed by Processor Model**

**Processor Models**

E5-4650v2, E5-4640v2, E5-4627v2, E5-4650Lv2  
 E5-4620v2, E5-4610v2, E5-4650, E5-4650L, E5-4640, E5-4617  
 E5-4607v2, E5-4603v2, E5-4620, E5-4617, E5-4610, E5-4607  
 E5-4603, E5-4607

**Supported Memory Speeds**

1866/1600/1333/1066MHz  
 1600/1333/1066MHz  
 1333/1066MHz  
 1066MHz

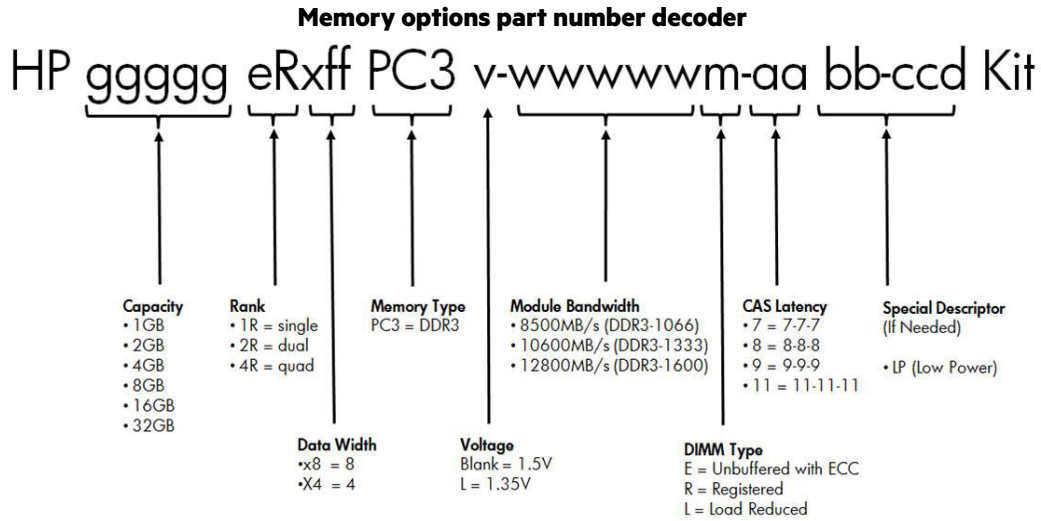
**Standard and Maximum Memory Capacity (Pre-configured Models)**

Pre-Configured Models	Standard Memory	Maximum Memory Plus Optional Memory	Standard Memory Replaced with Optional Memory
Intel Xeon E5-4650v2, E5-4620v2	128GB (8x 16GB)	512GB (24x 16GB)	1024GB (32x 32GB)
Intel Xeon E5-4607v2	64GB (4x 16GB)	512GB (28x 16GB)	1024GB (32x 32GB)
Intel Xeon E5-4650, E5-4620, and E5-4617	128GB (16x 8GB)	384GB (16x 8GB + 16x 16GB)	1024GB (32x 32GB)

**NOTE:** Capacity references are rounded to the common gigabyte (GB) values.

- 4GB = 4,096MB
- 8GB = 8,192MB
- 16GB = 16,384MB
- 24GB = 24,576MB
- 32GB = 32,768MB

Memory



Following are memory options available from HP:

**HPE Memory**

**NOTE:** HPE memory from previous generation servers are not qualified or warranted with this HPE ProLiant Server. HPE SmartMemory is required to realize the memory performance improvements and enhanced functionality listed in this document for Gen8. For additional information, please see the HPE SmartMemory QuickSpecs at: [http://h18000.www1.hp.com/products/QuickSpecs/14225\\_na/14225\\_na.html](http://h18000.www1.hp.com/products/QuickSpecs/14225_na/14225_na.html)

**NOTE:** LRDIMM, RDIMM and UDIMMs are all distinct memory technologies and cannot be mixed within a server. The majority of ProLiant Gen8 servers support RDIMM, UDIMM and LRDIMM.

**NOTE:** A minimum of one DIMM is required per server.

**NOTE:** For additional memory rules and guidelines, see the "Memory" section later in this document.

**HPE SmartMemory**

**Registered DIMMs (RDIMMs) – E5-4600v2 series Processors**

HP 4GB (1x4GB) Single Rank x4 PC3L-12800R (DDR3-1600) Registered CAS-11 Low Voltage Memory Kit	713981-B21
HP 4GB (1x4GB) Single Rank x4 PC3-14900R (DDR3-1866) Registered CAS-13 Memory Kit	708637-B21
HP 8GB (1x8GB) Single Rank x4 PC3L-12800R (DDR3-1600) Registered CAS-11 Low Voltage Memory Kit	731765-B21
HP 8GB (1x8GB) Single Rank x4 PC3-14900R (DDR3-1866) Registered CAS-13 Memory Kit	731761-B21
HP 16GB (1x16GB) Dual Rank x4 PC3L-12800R (DDR3-1600) Registered CAS-11 Low Voltage Memory Kit	713985-B21
HP 16GB (1x16GB) Dual Rank x4 PC3-14900R (DDR3-1866) Registered CAS-13 Memory Kit	708641-B21

**Registered DIMMs (RDIMMs) - E5-4600 series Processors**

HP 4GB (1x4GB) Single Rank x4 PC3L-10600R (DDR3-1333) Registered CAS-9 Low Voltage Memory Kit	647893-B21
HP 4GB (1x4GB) Single Rank x4 PC3-12800R (DDR3-1600) Registered CAS-11 Memory Kit	647895-B21

## Memory

HP 8GB (1x8GB) Dual Rank x4 PC3L-10600R (DDR3-1333) Registered CAS-9 Low Voltage Memory Kit	647897-B21
HP 8GB (1x8GB) Single Rank x4 PC3-12800R (DDR3-1600) Registered CAS-11 Memory Kit	647899-B21
HP 8GB (1x8GB) Dual Rank x4 PC3-12800R (DDR3-1600) Registered CAS-11 Memory Kit	690802-B21
HP 16GB (1x16GB) Dual Rank x4 PC3L-10600R (DDR3-1333) Registered CAS-9 Low Voltage Memory Kit	647901-B21
HP 16GB (1x16GB) Dual Rank x4 PC3-12800R (DDR3-1600) Registered CAS-11 Memory Kit	672631-B21
HP 24GB (1x24GB) Three Rank x4 PC3L-10600R (DDR3-1333) Registered CAS-9 Low Voltage Memory Kit	761501-B21

### Load Reduced DIMMs (LRDIMMs) - E5-4600v2 series Processors

HP 32GB (1x32GB) Quad Rank x4 PC3-14900L (DDR3-1866) Load Reduced CAS-13 Memory Kit	708643-B21
---	------------

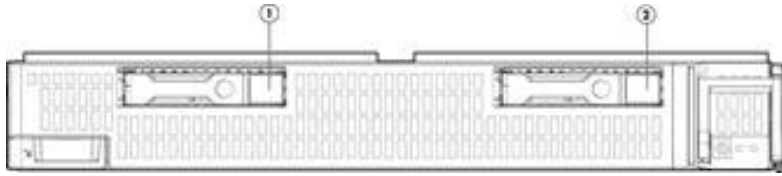
### Load Reduced DIMMs (LRDIMMs) - E5-4600 series Processors

HP 32GB (1x32GB) Quad Rank x4 PC3L-10600L (DDR3-1333) Load Reduced CAS-9 Low Voltage Memory Kit	647903-B21
---	------------

**NOTE:** Depending on the memory configuration and processor model, 1600MHz and 1333MHz memory may operate at a lower speed. Please see the "Memory" section later in this document and the Online Memory Configuration Tool for details at <http://www.hp.com/go/ddr3memory-configurator>.

QuickSpecs

Storage



1-2. 2 x SFF hot-plug SAS, SATA, SAS SDD; and SATA SSD hard drives

Hard Drives

**NOTE:** The ProLiant BL660c Gen8 server includes the new HPE hot-plug small form factor (SFF) SmartDrive carrier for enhanced management and reduced maintenance errors. HPE drives from previous generation servers are not compatible with the BL660c Gen8 drive bays.

**NOTE:** Hard drives have either a one year or three year warranty; refer to the specific hard drive QuickSpecs for details.

**NOTE:** The hard drive options are not required when configuring a drive-less model.

**NOTE:** The mixing of standard SAS drives with SAS SSD drives is supported within the server, but limits the RAID configuration to two separate RAID 0 volumes. Mixing of other drives types is not supported.

SAS Hot Plug SmartDrive SFF (2.5-inch) Enterprise Drives

	Quantity Supported	Position Supported	Controller
1.2TB 6G SAS 10K	2	1-2	HPE Smart Array P220i Controller
900GB 6G SAS 10K			
600GB 6G SAS 10K			
450GB 6G SAS 10K			
300GB 6G SAS 10K			
300GB 6G SAS 15K			
146GB 6G SAS 15K			

SAS Hot Plug SmartDrive SFF (2.5-inch) Midline Drives

	Quantity Supported	Position Supported	Controller
1TB 6G SAS 7.2K	2	1-2	HPE Smart Array P220i Controller
500GB 6G SAS 7.2K			

6G SATA Hot Plug with SmartDrive SFF (2.5-inch) Midline Drives

	Quantity Supported	Position Supported	Controller
1TB 6G SAS 7.2K	2	1-2	HPE Smart Array P220i Controller
500GB 6G SAS 7.2K			

12G SAS High Endurance Hot Plug SFF (2.5-inch) Enterprise Performance Solid State Drives

	Quantity Supported	Position Supported	Controller
800GB 12G SAS	2	1-2	HPE Smart Array P220i Controller
400GB 12G SAS			
200GB 12G SAS			

**QuickSpecs**

**Storage**

**12G SAS Mainstream Endurance Hot Plug SFF (2.5-inch) Enterprise Mainstream Solid State Drives**

	<b>Quantity Supported</b>	<b>Position Supported</b>	<b>Controller</b>
800GB 12G SAS	2	1-2	HPE Smart Array P220i Controller
400GB 12G SAS			
200GB 12G SAS			

**6G SATA Value Endurance Hot Plug SFF (2.5-inch) Enterprise Boot Solid State Drives**

	<b>Quantity Supported</b>	<b>Position Supported</b>	<b>Controller</b>
120GB 6G SATA VE Boot	2	1-2	HPE Smart Array P220i Controller

**6G SATA VE Hot Plug SFF (2.5-inch) Enterprise Value Solid State Drives**

	<b>Quantity Supported</b>	<b>Position Supported</b>	<b>Controller</b>
800GB 6G SATA VE	2	1-2	HPE Smart Array P220i Controller
480GB 6G SATA VE			
240GB 6G SATA VE			

**6G SATA Value Endurance Hot Plug SFF (2.5-inch) Enterprise Value Boot Solid State Drives**

	<b>Quantity Supported</b>	<b>Position Supported</b>	<b>Controller</b>
600GB 6G SATA VE Boot	2	1-2	HPE Smart Array P220i Controller
300GB 6G SATA VE Boot			

**6G SATA ME Hot Plug SFF (2.5-inch) Enterprise Mainstream Solid State Drives**

	<b>Quantity Supported</b>	<b>Position Supported</b>	<b>Controller</b>
800GB 6G SATA ME	2	1-2	HPE Smart Array P220i Controller
400GB 6G SATA ME			
200GB 6G SATA ME			
100GB 6G SATA ME			

**6G SAS ME Hot Plug SFF (2.5-inch) Enterprise Mainstream Solid State Drives**

	<b>Quantity Supported</b>	<b>Position Supported</b>	<b>Controller</b>
800GB 6G SAS ME	2	1-2	HPE Smart Array P220i Controller
400GB 6G SAS ME			
200GB 6G SAS ME			

**6G SAS SLC Hot Plug SFF (2.5-inch) Enterprise Performance Solid State Drives**

**QuickSpecs**

---

**Storage**

	<b>Quantity Supported</b>	<b>Position Supported</b>	<b>Controller</b>
400GB 6G SAS SLC	2	1-2	HPE Smart Array P220i Controller
200GB 6G SAS SLC			

## Technical Specifications

<b>System Unit</b>	<b>Dimensions</b> (H x W x D) (with bezel)	366.27mm (14.42") x 56.54mm (2.23") x 516.67mm (20.34")
	<b>Weight</b> (approximate)	<p>Maximum: 4 processors, 2 FlexibleLOMs, 27.1 lb (12.3 kg) 32 DIMMs, 2 hard drives, 3 mezzanine cards, and 2 flash cache batteries installed</p> <p>Minimum: 2 processors, 1 FlexibleLOM, 20.2 lb (9.2 kg) and 2 DIMMs installed</p>
	<b>Power Specifications</b>	<p>For power specifications including input requirements, BTU rating, and power supply output, please see the:</p> <ul style="list-style-type: none"> <li>• HPE BladeSystem c3000 Enclosure QuickSpecs at <a href="http://h18000.www1.hp.com/products/QuickSpecs/12790_na/12790_na.html">http://h18000.www1.hp.com/products/QuickSpecs/12790_na/12790_na.html</a> <b>NOTE: The ProLiant BL660c Gen8 requires the c3000 Enclosure to be configured with 6 fans.</b></li> <li>• HPE BladeSystem c7000 Enclosure QuickSpecs at <a href="http://h18000.www1.hp.com/products/QuickSpecs/12810_na/12810_na.html">http://h18000.www1.hp.com/products/QuickSpecs/12810_na/12810_na.html</a> <b>NOTE: The ProLiant BL660c Gen8 requires the c7000 Enclosure to be configured with 10 fans.</b></li> </ul> <p>To review typical system power ratings use the HPE Power Advisor which is available via the online tool located at <a href="http://www.hp.com/go/hppoweradvisor">http://www.hp.com/go/hppoweradvisor</a>.</p>
	<b>System Inlet Temperature</b>	<p>Operating 10° to 35°C (50° to 95°F) at sea level with an altitude derating of 1.0°C per every 305 m (1.8°F per every 1,000 ft) above sea level to a maximum of 3,050 m (10,000 ft), no direct sustained sunlight. Maximum rate of change is 10°C/hr (18°F/hr). The upper limit may be limited by the type and number of options installed. System performance may be reduced if operating with a fan fault or above 30°C (86°F).</p> <p>Non-operating -30° to 60°C (-22° to 140°F). Maximum rate of change is 20°C/hr (36°F/hr).</p>
	<b>Relative Humidity</b> (non-condensing)	<p>Operating 10 to 90% relative humidity (Rh), 28°C (82.4°F) maximum wet bulb temperature, non-condensing.</p> <p>Non-operating 5 to 95% relative humidity (Rh), 38.7°C (101.7°F) maximum wet bulb temperature, non-condensing.</p>

## QuickSpecs

---

**Technical Specifications**

<b>Altitude</b>	Operating	3,050 m (10,000 ft). This value may be limited by the type and number of options installed. Maximum allowable altitude change rate is 457 m/min (1,500 ft/min).
	Non-operating	9,144 m (30,000 ft). Maximum allowable altitude change rate is 457 m/min (1,500 ft/min).
<b>Acoustic Noise</b>	For acoustic noise specifications, please see the HPE BladeSystem c-Class Enclosures QuickSpecs located at: HPE BladeSystem c3000 Enclosure QuickSpecs: <a href="http://h18000.www1.hp.com/products/QuickSpecs/12790_na/12790_na.html">http://h18000.www1.hp.com/products/QuickSpecs/12790_na/12790_na.html</a> HPE BladeSystem c7000 Enclosure QuickSpecs: <a href="http://h18000.www1.hp.com/products/QuickSpecs/12810_na/12810_na.html">http://h18000.www1.hp.com/products/QuickSpecs/12810_na/12810_na.html</a>	

---

<b>HPE Smart Array P220i Controller</b>	<b>Disk Drive Interface</b>	6G SAS (Serial Attached SCSI)
	<b>Server Interface</b>	x4 PCI Express host interface
	<b>Cache Memory Speed</b>	512MB flash backed write cache (FBWC) cache standard with Pre-configured Models and optional on Factory Integrated Models
	<b>Logical Drives Supported</b>	64 (with included 512MB cache)
	<b>Host Memory Addressing</b>	64-bit, supporting servers memory space greater than 4GB
	<b>RAID Support</b>	RAID 1 (mirroring) and RAID 0 (striping) <b>NOTE: The FBWC is not required for RAID capability. The purpose of the cache is it can increase hard drive write performance and provides data protection in case the server losses power.</b>
	<b>Other</b>	Upgradeable firmware with recovery ROM Online drive flash (with SAS drives)

---

<b>HPE FlexFabric 10Gb 2-port 554FLB FlexibleLOM (Included with Pre-configured Models)</b>	<b>Type</b>	Integrated dual-port KR 10Gb FlexibleLOM with FlexFabric (Flex-10, FCoE, hardware-based iSCSI, iSCSI boot, TCP/IP offload engine, and autosensing 1Gb/10Gb Ethernet capability)
	<b>Network Processor</b>	Emulex BE3
	<b>Data Transfer Method</b>	x8 PCI Express 2.0
	<b>Network Transfer Rate</b>	Two ports, each at 20Gbps full duplex; 40Gbps aggregate full duplex theoretical bandwidth <b>NOTE: Each port is autosensing 1Gb/10Gb, and can interoperate with 1Gb or 10Gb HPE BladeSystem c-Class interconnect components. Both ports will operate at the</b>

Technical Specifications

same speed.

**NOTE:** Each port on the 554FLB adapter transmits from the server at 20Gbps (theoretical) full duplex.

<b>IEEE Compliance</b>	802.1p, 802.1q, 802.1qau, 802.3ad, 802.3ae, 802.3ap (10GBase-KX4) and 802.3x
<b>Standard Features</b>	ProLiant Teaming including Network Fault Tolerance, Transmit Load Balancing, and Switch-Assisted Load Balancing 9K Jumbo frames (4K Jumbo frames when in FCoE mode) Microsoft Windows Receive Side Scaling (RSS) Hardware-based accelerated iSCSI iSCSI boot Flex-10 capability Fibre Channel over Ethernet (FCoE) TCP/IP offload engine (stateless TCP/IP) Autosensing 1Gb/10Gb Ethernet

**Environment-friendly Products and Approach**

**End-of-life Management and Recycling**

Hewlett Packard Enterprise offers end-of-life Hewlett Packard Enterprise product return, trade-in, and recycling programs in many geographic areas. For trade-in information, please go to: <http://www.hp.com/go/green>. To recycle your product, please go to: <http://www.hp.com/go/green> or contact your nearest Hewlett Packard Enterprise sales office. Products returned to Hewlett Packard Enterprise will be recycled, recovered or disposed of in a responsible manner.

The EU WEEE directive (2002/95/EC) requires manufacturers to provide treatment information for each product type for use by treatment facilities. This information (product disassembly instructions) is posted on the Hewlett Packard Enterprise web site at: <http://www.hp.com/go/green>. These instructions may be used by recyclers and other WEEE treatment facilities as well as Hewlett Packard Enterprise OEM customers who integrate and re-sell Hewlett Packard Enterprise equipment.

## QuickSpecs

## Summary of Changes

Date	Version History	Action	Description of Change
31-Mar-2016	From Version 33 to 34	Changed	Core Options and Additional Options sections were updated.
		Added	SKUs added in Core Options and Additional Options sections: 838404-B21, 838406-B21, 838408-B21, 838410-B21, 838412-B21, P9J18AAE, 838404-B21, 838406-B21, 838408-B21, 838410-B21, 838412-B21, 816929-B21, 816919-B21, 816909-B21, 816899-B21, 816889-B21, 816879-B21, 817011-B21, 816995-B21, 816985-B21, 816975-B21, 816965-B21.
		Removed	Obsolete SKUs were deleted: 789135-B21, 698535-B21, 698536-B21, 756601-B21, 691864-B21
11-Dec-2015	From Version 32 to 33	Changed	Core Options and Additional Options were updated.
		Added	SKUs added: P9A13A, P9A13AAE, P9A14A, P9A14AAE, P9A15A, P9A15AAE, P9A16A, P9A16AAE, P9A17A, P9A17AAE, P9A18A, P9A18AAE, 816562-B21, 816568-B21, 816572-B21, 816576-B21, 822555-B21, 822559-B21, 822563-B21, 822567-B21
		Removed	Obsolete SKUs deleted: F6Q89AAE, 741155-B21, 789155-B21, E5Y38A, E5Y39AAE, QK763A, QK762A, QK761A, D8S85AAE, D8S84A, AP880A
28-Sep-2015	From Version 31 to 32	Change	Links updated in QuickSpecs.
		Added	SKUs added: P8B24A, P8B26AAE, P8B31A, 700767-B21
17-Aug-2015	From Version 30 to 31	Changed	Standard Features section was updated.
		Added	SKUs added in Core Options section: C9A82AAE, 804677-B21, 804671-B21, 804665-B21, 804639-B21, 804631-B21, 804625-B21, 832414-B21, 804613-B21, 804605-B21, 804599-B21, 804593-B21, 804587-B21, 804581-B21, 804575-B21
		Remove	Obsolete SKUs deleted: AQ697B, QW914A, QW915A, U6W98E
01-Jun-2015	From Version 29 to 30	Changed	Information updated on Core Options Section.
		Added	SKUs Added on Core Options Section: 748387-B21, 791034-B21
		Removed	Obsolete SKUs Deleted: 679098-L21, 679110-L21, 679100-L21, 679102-L21, 679112-L21, 679104-L21, 741151-B21, 679106-L21, 679108-L21, 679114-B21, 679115-B21, 679116-B21, 741159-B21
30-Mar-2015	From Version 28 to 29	Added	SKUs Added: 802578-B21, 802582-B21, 802586-B21, 802891-B21, 765453-B21, 765455-B21, 765464-B21, 781518-B21, 785069-B21, 765466-B21, 789135-B21, 789145-B21, 789155-B21, 794603-B21, 794605-B21, 781516-B21, 785067-B21
		Removed	Obsolete SKUs deleted: 741146-B21, 741138-B21, 741142-B21
09-Feb-2015	From Version 27 to 28	Changed	Optional Features, Core Options and Service and Support sections were updated

## QuickSpecs

## Summary of Changes

		Added	SKUs Added on HPE Hard Drives: 779164-B21, 779168-B21, 779172-B21, 779176-B21, 764923-B21, 764925-B21, 764927-B21, 764929-B21
01-Dec-2014	From Version 26 to 27	Changed	Service and Support, Configuration Information - Factory Integrated Models and Core Options sections were updated
		Added	SKU Added on Hard Drives: 757339-B21
		Removed	SKUs deleted per missing compatibility confirmation: E5Y43A, E5Y43AAE
29-Sep-2014	From Version 25 to 26	Changed	Pre-configured Models, Configuration Information - Factory Integrated Models sections were updated
		Added	SKUs added on HPE Hard Drives: 756657-B21, 756636-B21, 756621-B21, 756601-B21
		Removed	Obsolete SKUs removed: 716324-B21, 761501-B21
18-Aug-2014	From Version 24 to 25	Changed	Models, Memory, Storage were sections updated
		Added	SKUs added on Hard Drives section: 759212-B21, 759210-B21, 759208-B21
10-Jun-2014	From Version 23 to 24	Removed	Processors, Cache Memory, Networking, Hard Drives, and Storage Controllers were revised.
25-Apr-2014	From Version 22 to 23	Removed	Removed June launch SKUs.
31-Mar-2014	From Version 19 to 22	Changed	Changes made throughout.
03-Mar-2014	From Version 18 to 19	Changed	Memory was revised.
18-Feb-2014	From Version 17 to 18	Changed	Changes were made throughout.
16-Dec-2013	From Version 16 to 17	Changed	Core Options, Additional Options, Memory, and Hard Drives were revised.
11-Oct-2013	From Version 15 to 16	Added	Added Support for 6G SATA Value Endurance Boot Solid State Hard Drives
10-Sep-2013	From Version 14 to 15	Changed	Core Options, Additional Options, Memory, and Hard Drives were revised.
10-Jun-2013	From Version 13 to 14	Changed	Changes made to the following sections Standard Features - Operating System and Virtualization software support for ProLiant servers Core Options - HPE Networking, updated part numbers Additions Options - HPE Storage Blades
17-May-2013	From Version 12 to 13	Changed	Standard Features: Updated Memory section.
13-May-2013	From Version 11 to 12	Removed	Overview- Removed the What's New Section
		Changed	Configuration Information- Updated Step 3 Additional Options- HPE Infiniband Mezzanines, HPE Storage Blades, and HPE Care Pack Services
25-Mar-2013	From Version 9 to 10	Removed	Removed the word "Platinum" throughout various sections of the document.
01-Mar-2013	From Version 8 to 9	Changed	Core Options: Added p/n 665246-B21 to HPE Networking section.
21-Feb-2013	From Version 7 to 8	Changed	Changes made throughout the QuickSpecs.
19-Oct-2012	From Version 6 to 7	Changed	Changes made throughout the QuickSpecs.
01-Oct-2012	From Version 5 to 6	Changed	Changes made in the Networking sections.
28-Sep-2012	From Version 4 to 5	Changed	Changes made in the Options and Memory sections.

QuickSpecs

**Summary of Changes**

24-Sep-2012	From Version 3 to 4	Changed	Change made in Standard Features, Optional Features and Technical Specifications sections.
24-Aug-2012	From Version 2 to 3	Changed	Changes were made throughout the QuickSpecs.
17-Aug-2012	From Version 1 to 2	Changed	Changes were made in Additional Options and Technical Specifications sections.



**Sign up for updates**

★ Rate this document



© Copyright 2016 Hewlett Packard Enterprise Development LP. The information contained herein is subject to change without notice. The only warranties for Hewlett Packard Enterprise products and services are set forth in the express warranty statements accompanying such products and services. Nothing herein should be construed as constituting an additional warranty. Hewlett Packard Enterprise shall not be liable for technical or editorial errors or omissions contained herein.

Microsoft and Windows NT are US registered trademarks of Microsoft Corporation.

For hard drives, 1GB = 1 billion bytes. Actual formatted capacity is less.

c04128116 - 14394 - North America - V34 - 31-Mar-2016